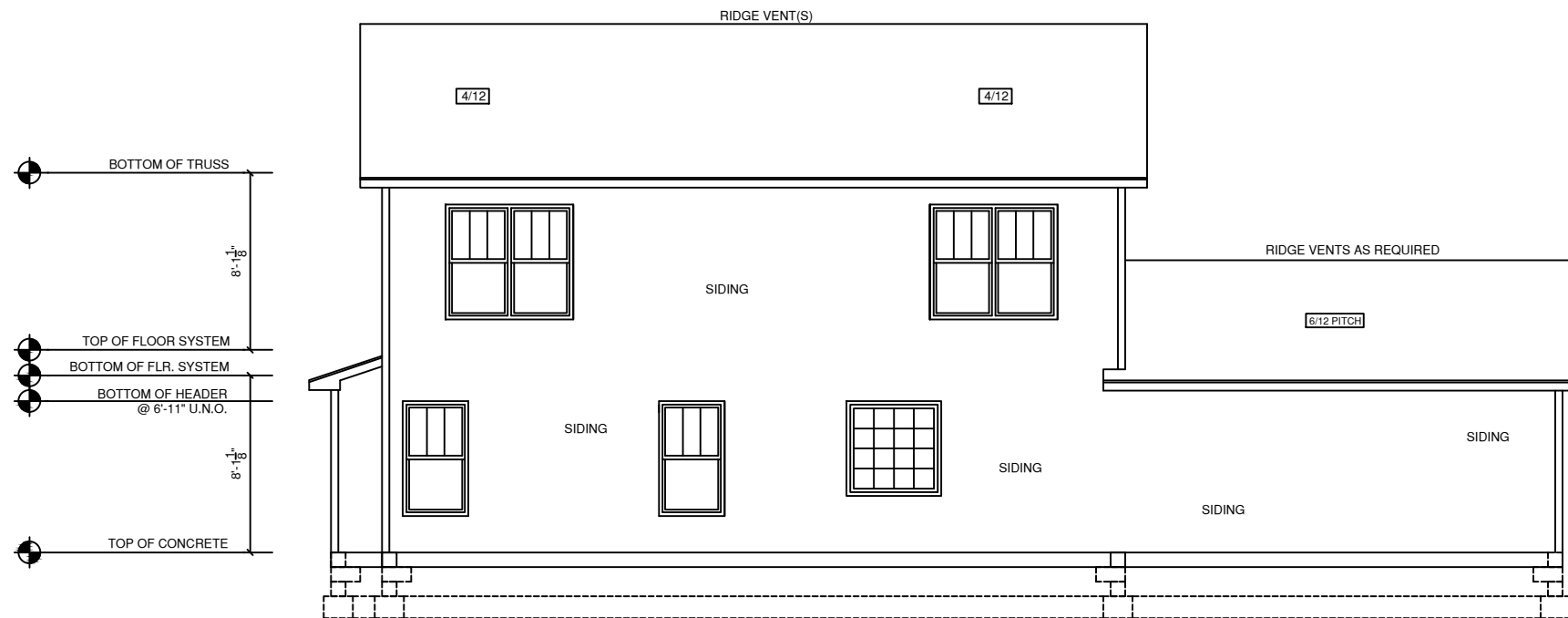
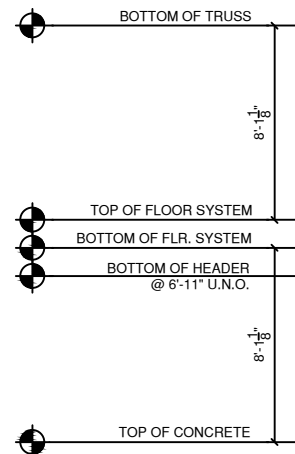


FRONT ELEVATION
SCALE: 1/8" = 1'-0"



REAR ELEVATION
SCALE: 1/8" = 1'-0"



BUYER _____ DATE _____

BUYER _____ DATE _____

FINAL
106-22-144 ARAGON

GENERAL NOTES

- 1.) MAIN FLOOR PLATE HEIGHT TO BE 8'-0" UNLESS NOTED OTHERWISE.
- 2.) OPTIONAL BONUS PLATE HEIGHT TO BE 8'-0" UNLESS NOTED OTHERWISE.
- 3.) INTERIOR & EXTERIOR WALLS TO BE DRAWN @ 3 1/2" UNLESS NOTED OTHERWISE.
- 4.) ALL ANGLES TO BE DRAWN AT 45° OR 90° UNLESS NOTED OTHERWISE.
- 5.) WINDOW HEADER HEIGHT TO BE SET @ 6'-11" UNLESS NOTED OTHERWISE. HEADER SIZE AND MATERIAL TO BE DETERMINED & VERIFIED BY FRAMER, BUILDER, TRUSS SHOP OR BY A LICENSED ENGINEER.
- 6.) SIZE, LOCATION AND MATERIALS OF BEAMS TRUSSES, GIRDERS AND HEADERS TO BE DETERMINED & VERIFIED BY BUILDER, FRAMER TRUSS SHOP OR LICENSED ENGINEER.
- 7.) FOOTER SIZE, MATERIAL & LOCATIONS TO BE VERIFIED AND DETERMINED BY BUILDER, FOOTER CONTRACTOR OR LICENSED ENGINEER.
- 8.) ROOF VENTILATION TO BE DETERMINED & VERIFIED BUILDER, ROOFING CONTRACTOR OR LICENSED ENGINEER.
- 9.) ALL MECHANICAL SYSTEMS DESIGNS, LOCATIONS AND SIZING TO BE DETERMINED & VERIFIED BY BUILDER, APPROPRIATE TRADE CONTRACTOR AND OR LICENSED ENGINEER.
- 10.) BUILDER RESPONSIBLE FOR VERIFYING AND COMPLYING WITH ALL LOCAL, STATE & NATIONAL CODES.
- 11.) LOCAL, STATE AND NATIONAL CODES TAKE PRECEDENCE OVER DRAWINGS.
- 12.) BUILDER TO VERIFY ALL DIMENSIONS.

COPYRIGHT 2022 RED DOOR HOMES, LLC.
LICENSED TO RED DOOR HOMES OF:
THE CAROLINAS LLC



SQUARE FOOTAGE CHART

FIRST FLOOR AREA TO FRAME:	1360
SECOND FLOOR AREA TO FRAME:	628
HEATED & COOLED TO FRAME:	1988
COVERED FRONT PORCH	204
GARAGE AREA TO FRAME	400
TOTAL UNDER BEAM AREA	2592

JOB NUMBER & CLIENT NAME:

XXXXXXXXXX

ELEVATION:

CABIN

TOWN/CITY:

XXXXXXXXXX

COUNTY:

XXXXXXXXXX

AUTHORED DATE:

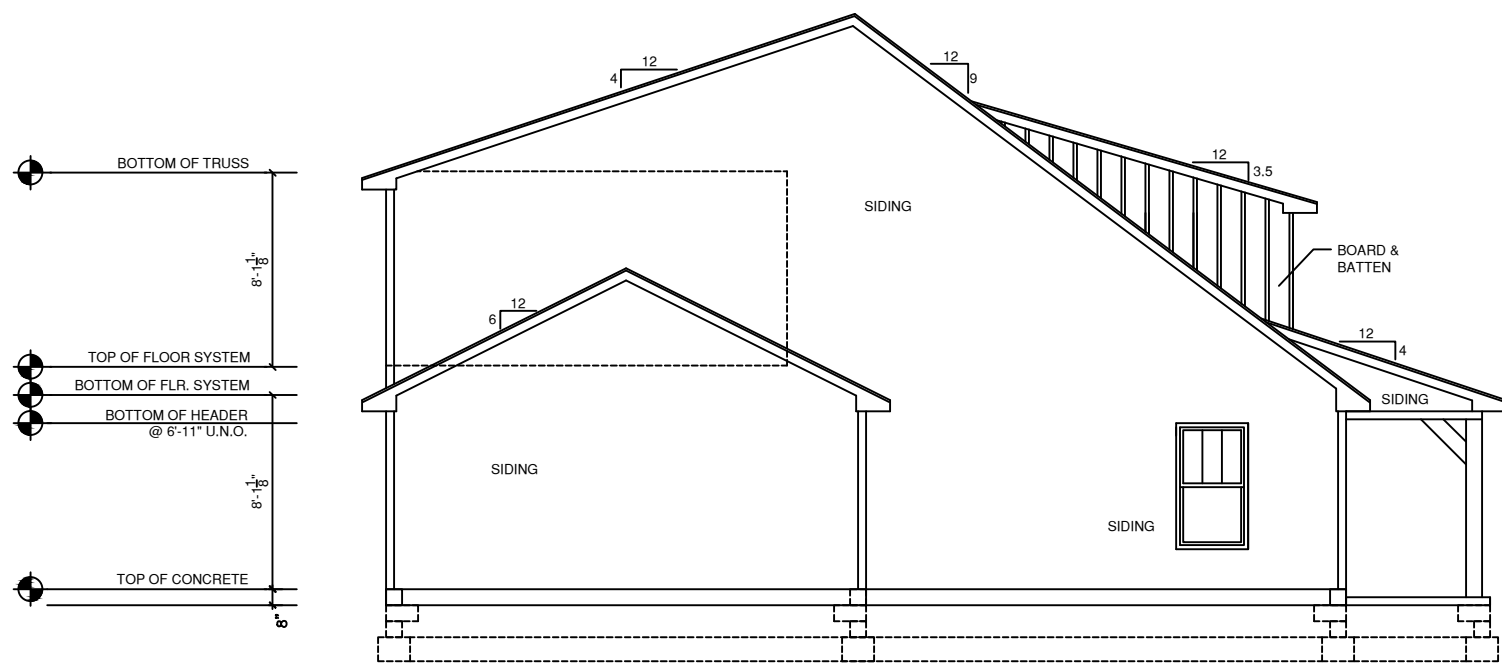
2022

DRAFTING UPDATES:

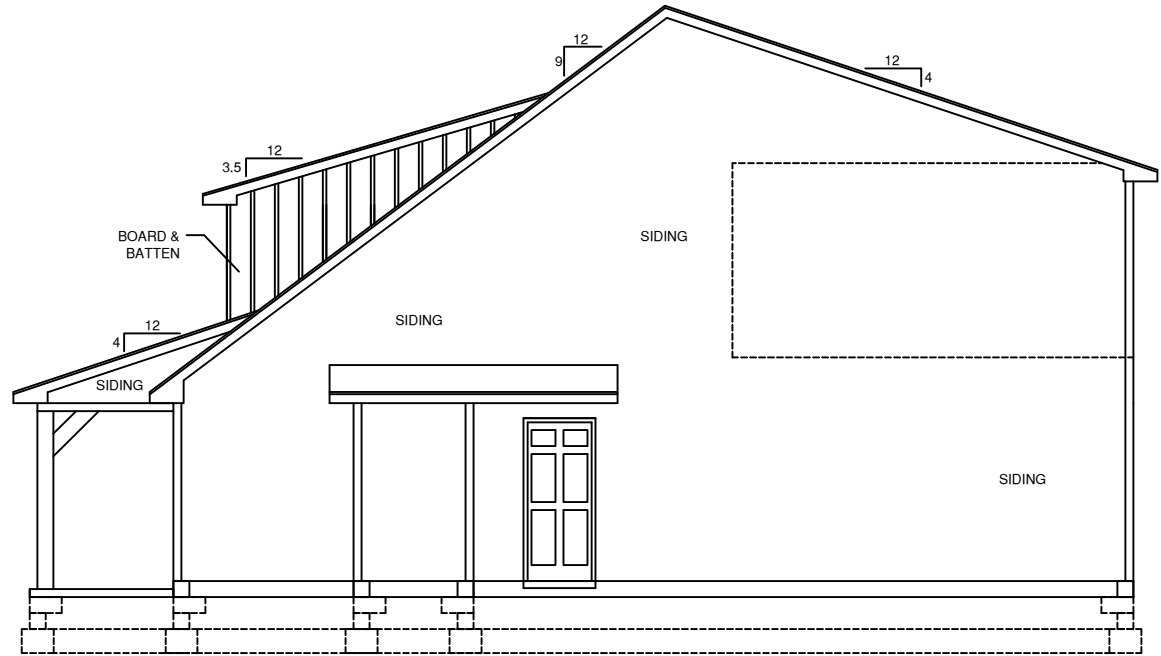
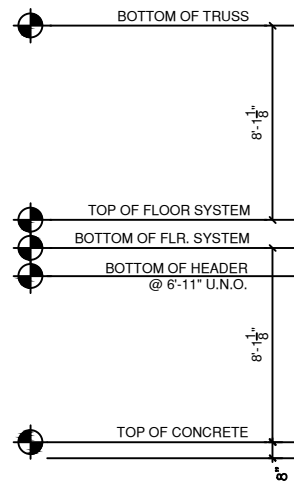
PRELIMINARY:
PERM: 09/28/2022 PJM
FINAL: 12.15.22 GC

Front & Rear Elevation

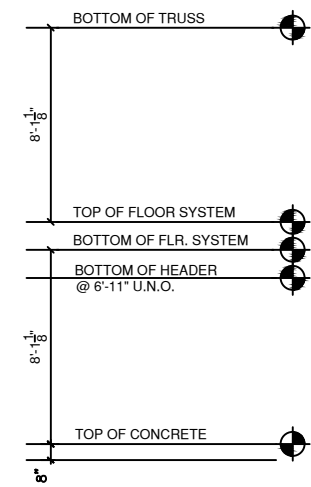
BEAUFORT
"CABIN"



LEFT ELEVATION
SCALE: 1/8" = 1'-0"



RIGHT ELEVATION
SCALE: 1/8" = 1'-0"



BUYER _____ DATE _____

BUYER _____ DATE _____

FINAL
106-22-144 ARAGON

GENERAL NOTES

- 1.) MAIN FLOOR PLATE HEIGHT TO BE 8'-0" UNLESS NOTED OTHERWISE.
- 2.) OPTIONAL BONUS PLATE HEIGHT TO BE 8'-0" UNLESS NOTED OTHERWISE.
- 3.) INTERIOR & EXTERIOR WALLS TO BE DRAWN @ 3 1/2" UNLESS NOTED OTHERWISE.
- 4.) ALL ANGLES TO BE DRAWN AT 45° OR 90° UNLESS NOTED OTHERWISE.
- 5.) WINDOW HEADER HEIGHT TO BE SET @ 6'-11" UNLESS NOTED OTHERWISE. HEADER SIZE AND MATERIAL TO BE DETERMINED & VERIFIED BY FRAMER, BUILDER, TRUSS SHOP OR BY A LICENSED ENGINEER.
- 6.) SIZE, LOCATION AND MATERIALS OF BEAMS TRUSSES, GIRDERS AND HEADERS TO BE DETERMINED & VERIFIED BY BUILDER, FRAMER TRUSS SHOP OR LICENSED ENGINEER.
- 7.) FOOTER SIZE, MATERIAL & LOCATIONS TO BE VERIFIED AND DETERMINED BY BUILDER, FOOTER CONTRACTOR OR LICENSED ENGINEER.
- 8.) ROOF VENTILATION TO BE DETERMINED & VERIFIED BUILDER, ROOFING CONTRACTOR OR LICENSED ENGINEER.
- 9.) ALL MECHANICAL SYSTEMS DESIGNS, LOCATIONS AND SIZING TO BE DETERMINED & VERIFIED BY BUILDER, APPROPRIATE TRADE CONTRACTOR AND OR LICENSED ENGINEER.
- 10.) BUILDER RESPONSIBLE FOR VERIFYING AND COMPLYING WITH ALL LOCAL, STATE & NATIONAL CODES.
- 11.) LOCAL, STATE AND NATIONAL CODES TAKE PRECEDENCE OVER DRAWINGS.
- 12.) BUILDER TO VERIFY ALL DIMENSIONS.

COPYRIGHT 2022 RED DOOR HOMES, LLC.
LICENSED TO RED DOOR HOMES OF:
THE CAROLINAS LLC



SQUARE FOOTAGE CHART

FIRST FLOOR AREA TO FRAME:	1360
SECOND FLOOR AREA TO FRAME:	628
HEATED & COOLED TO FRAME:	1988
COVERED FRONT PORCH	204
GARAGE AREA TO FRAME	400
TOTAL UNDER BEAM AREA	2592

JOB NUMBER & CLIENT NAME:

XXXXXXXXXX

ELEVATION:

CABIN

TOWN/CITY:

XXXXXXXXXX

COUNTY:

XXXXXXXXXX

AUTHORED DATE:

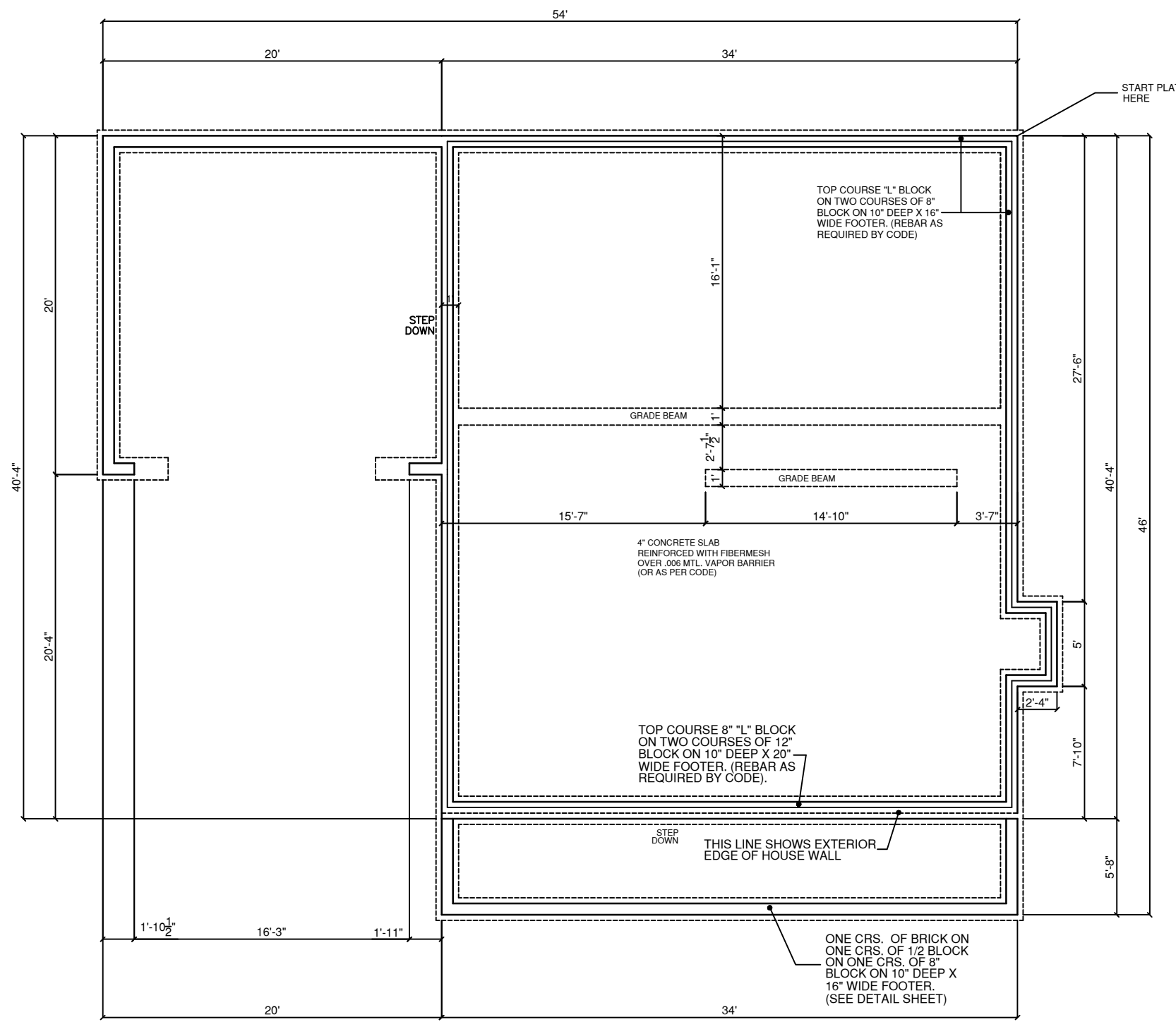
2022

DRAFTING UPDATES:

PRELIMINARY:
PERM: 09/28/2022 PJM
FINAL: 12.15.22 GC

Right & Left Elevation

BEAUFORT
"CABIN"



BLOCK & FILL FOUNDATION PLAN
SCALE 1/8" = 1'-0"

BUYER _____ DATE _____

BUYER _____ DATE _____

FINAL
106-22-144 ARAGON

GENERAL NOTES

- 1.) MAIN FLOOR PLATE HEIGHT TO BE 8'-0" UNLESS NOTED OTHERWISE.
- 2.) OPTIONAL BONUS PLATE HEIGHT TO BE 8'-0" UNLESS NOTED OTHERWISE.
- 3.) INTERIOR & EXTERIOR WALLS TO BE DRAWN @ 3 1/2" UNLESS NOTED OTHERWISE.
- 4.) ALL ANGLES TO BE DRAWN AT 45° OR 90° UNLESS NOTED OTHERWISE.
- 5.) WINDOW HEADER HEIGHT TO BE SET @ 6'-11" UNLESS NOTED OTHERWISE. HEADER SIZE AND MATERIAL TO BE DETERMINED & VERIFIED BY FRAMER, BUILDER, TRUSS SHOP OR BY A LICENSED ENGINEER.
- 6.) SIZE, LOCATION AND MATERIALS OF BEAMS TRUSSES, GIRDERS AND HEADERS TO BE DETERMINED & VERIFIED BY BUILDER, FRAMER TRUSS SHOP OR LICENSED ENGINEER.
- 7.) FOOTER SIZE, MATERIAL & LOCATIONS TO BE VERIFIED AND DETERMINED BY BUILDER, FOOTER CONTRACTOR OR LICENSED ENGINEER.
- 8.) ROOF VENTILATION TO BE DETERMINED & VERIFIED BUILDER, ROOFING CONTRACTOR OR LICENSED ENGINEER.
- 9.) ALL MECHANICAL SYSTEMS DESIGNS, LOCATIONS AND SIZING TO BE DETERMINED & VERIFIED BY BUILDER, APPROPRIATE TRADE CONTRACTOR AND OR LICENSED ENGINEER.
- 10.) BUILDER RESPONSIBLE FOR VERIFYING AND COMPLYING WITH ALL LOCAL, STATE & NATIONAL CODES.
- 11.) LOCAL, STATE AND NATIONAL CODES TAKE PRECEDENCE OVER DRAWINGS.
- 12.) BUILDER TO VERIFY ALL DIMENSIONS.

COPYRIGHT 2022 RED DOOR HOMES, LLC.
LICENSED TO RED DOOR HOMES OF:
THE CAROLINAS LLC



SQUARE FOOTAGE CHART

FIRST FLOOR AREA TO FRAME:	1360
SECOND FLOOR AREA TO FRAME:	628
HEATED & COOLED TO FRAME:	1988
COVERED FRONT PORCH	204
GARAGE AREA TO FRAME	400
TOTAL UNDER BEAM AREA	2592

JOB NUMBER & CLIENT NAME:

XXXXXXXXXX

ELEVATION:

CABIN

TOWN/CITY:

XXXXXXXXXX

COUNTY:

XXXXXXXXXX

AUTHORED DATE:

2022

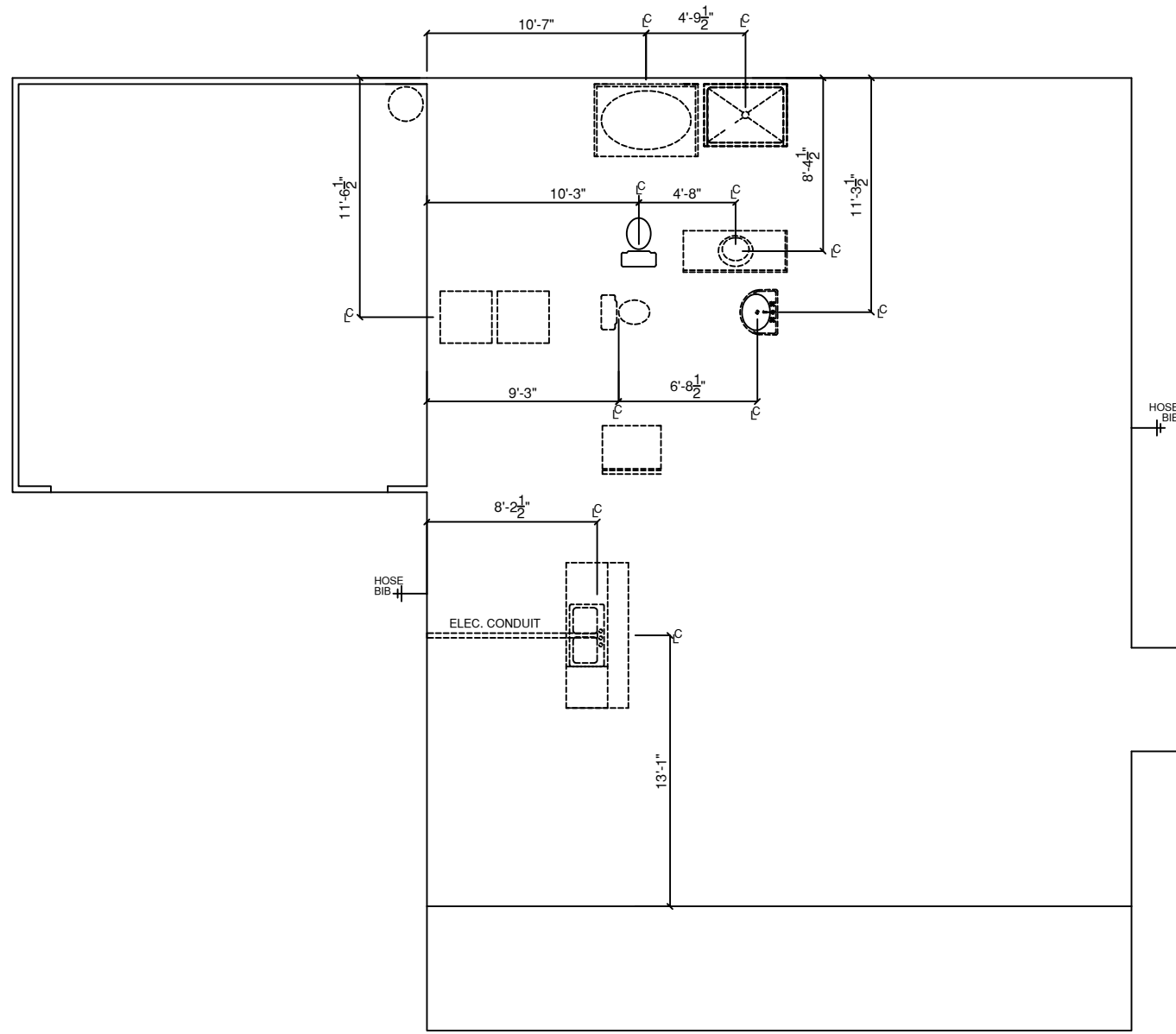
DRAFTING UPDATES:

PRELIMINARY:
PERM: 09/28/2022 PJM
FINAL: 12.15.22 GC

Block & Fill Foundation

BEAUFORT
"CABIN"

NOTE: DIMENSIONS TO THE CENTER OF PLUMBING FIXTURES



PLUMBING PLAN
SCALE 1/8" = 1'-0"

BUYER _____ DATE _____

BUYER _____ DATE _____

FINAL
106-22-144 ARAGON

GENERAL NOTES

- 1.) MAIN FLOOR PLATE HEIGHT TO BE 8'-0" UNLESS NOTED OTHERWISE.
- 2.) OPTIONAL BONUS PLATE HEIGHT TO BE 8'-0" UNLESS NOTED OTHERWISE.
- 3.) INTERIOR & EXTERIOR WALLS TO BE DRAWN @ 3 1/2" UNLESS NOTED OTHERWISE.
- 4.) ALL ANGLES TO BE DRAWN AT 45° OR 90° UNLESS NOTED OTHERWISE.
- 5.) WINDOW HEADER HEIGHT TO BE SET @ 6'-11" UNLESS NOTED OTHERWISE. HEADER SIZE AND MATERIAL TO BE DETERMINED & VERIFIED BY FRAMER, BUILDER, TRUSS SHOP OR BY A LICENSED ENGINEER.
- 6.) SIZE, LOCATION AND MATERIALS OF BEAMS TRUSSES, GIRDERS AND HEADERS TO BE DETERMINED & VERIFIED BY BUILDER, FRAMER TRUSS SHOP OR LICENSED ENGINEER.
- 7.) FOOTER SIZE, MATERIAL & LOCATIONS TO BE VERIFIED AND DETERMINED BY BUILDER, FOOTER CONTRACTOR OR LICENSED ENGINEER.
- 8.) ROOF VENTILATION TO BE DETERMINED & VERIFIED BUILDER, ROOFING CONTRACTOR OR LICENSED ENGINEER.
- 9.) ALL MECHANICAL SYSTEMS DESIGNS, LOCATIONS AND SIZING TO BE DETERMINED & VERIFIED BY BUILDER, APPROPRIATE TRADE CONTRACTOR AND OR LICENSED ENGINEER.
- 10.) BUILDER RESPONSIBLE FOR VERIFYING AND COMPLYING WITH ALL LOCAL, STATE & NATIONAL CODES.
- 11.) LOCAL, STATE AND NATIONAL CODES TAKE PRECEDENCE OVER DRAWINGS.
- 12.) BUILDER TO VERIFY ALL DIMENSIONS.

COPYRIGHT 2022 RED DOOR HOMES, LLC.
LICENSED TO RED DOOR HOMES OF:
THE CAROLINAS LLC



SQUARE FOOTAGE CHART

FIRST FLOOR AREA TO FRAME:	1360
SECOND FLOOR AREA TO FRAME:	628
HEATED & COOLED TO FRAME:	1988
COVERED FRONT PORCH	204
GARAGE AREA TO FRAME	400
TOTAL UNDER BEAM AREA	2592

JOB NUMBER & CLIENT NAME:

XXXXXXXXXX

ELEVATION:

CABIN

TOWN/CITY:

XXXXXXXXXX

COUNTY:

XXXXXXXXXX

AUTHORED DATE:

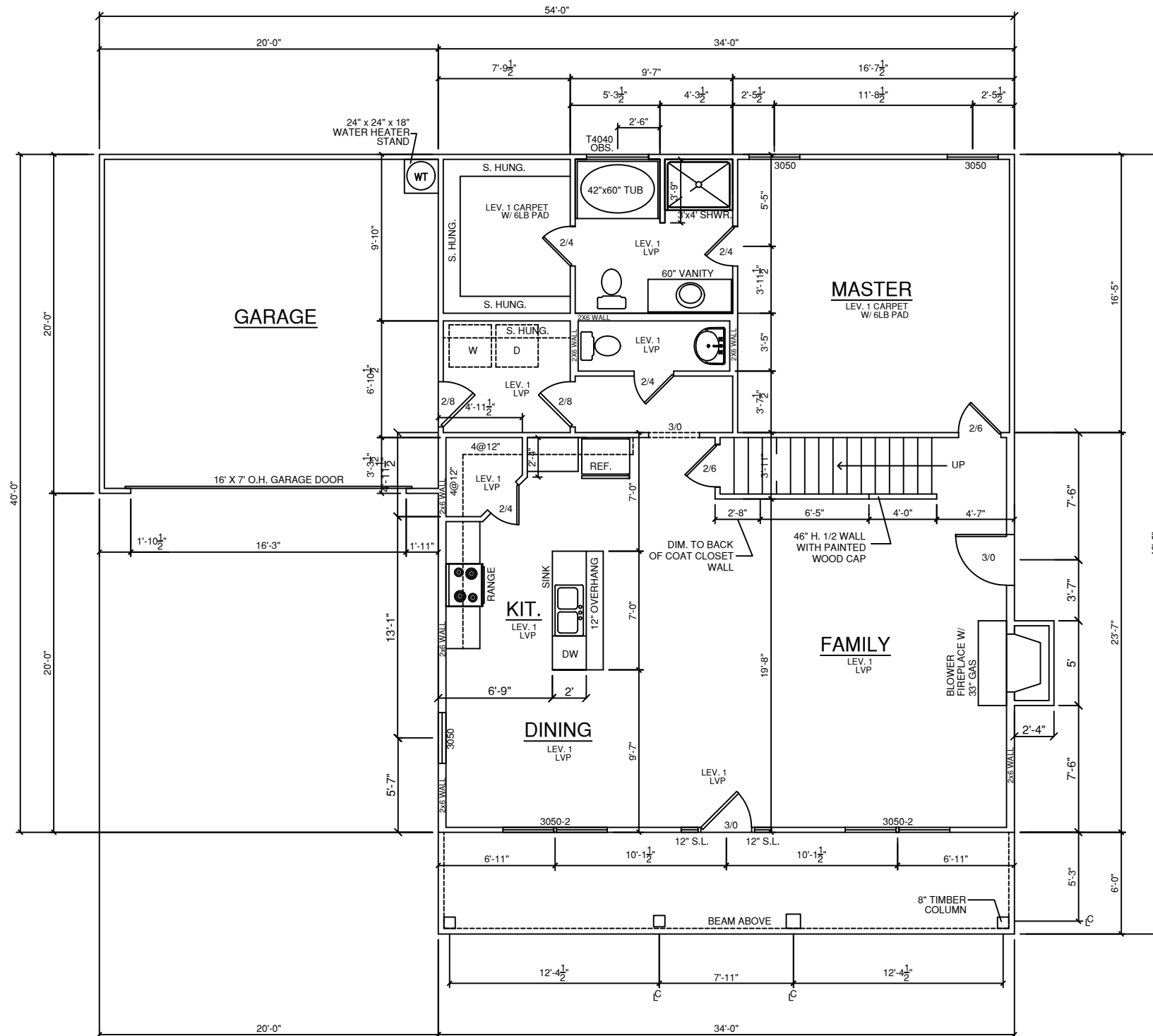
2022

DRAFTING UPDATES:

PRELIMINARY:
PERM: 09/28/2022 PJM
FINAL: 12.15.22 GC

Plumbing Plan

BEAUFORT
"CABIN"



FIRST FLOOR
SCALE 1/8" = 1'-0"

- SELECT SERIES 2 PANEL PLANK CHEYENNE SMOOTH INTERIOR DOORS
- LEV. 4 FRIGIDAIRE APPLIANCE PACKAGE S.S. W/ LEVEL 5 S.S. FRENCH DOOR REF.
- STAGGERED 30" & 36" UPPER CABINETS IN KITCHEN
- LEVEL 3 CABINETS IN KITCHEN
- LEVEL 2 CABINETS IN MASTER BATH
- LEVEL 2 CABINETS IN HALL BATH
- GARAGE DOOR OPENER W/ 2 REMOTES

GENERAL NOTES

- 1.) MAIN FLOOR PLATE HEIGHT TO BE 8'-0" UNLESS NOTED OTHERWISE.
- 2.) OPTIONAL BONUS PLATE HEIGHT TO BE 8'-0" UNLESS NOTED OTHERWISE.
- 3.) INTERIOR & EXTERIOR WALLS TO BE DRAWN @ 3/16" UNLESS NOTED OTHERWISE.
- 4.) ALL ANGLES TO BE DRAWN AT 45° OR 90° UNLESS NOTED OTHERWISE.
- 5.) WINDOW HEADER HEIGHT TO BE SET @ 6'-11" UNLESS NOTED OTHERWISE. HEADER SIZE AND MATERIAL TO BE DETERMINED & VERIFIED BY FRAMER, BUILDER, TRUSS SHOP OR BY A LICENSED ENGINEER.
- 6.) SIZE, LOCATION AND MATERIALS OF BEAMS TRUSSES, GIRDERS AND HEADERS TO BE DETERMINED & VERIFIED BY BUILDER, FRAMER TRUSS SHOP OR LICENSED ENGINEER.
- 7.) FLOOR SIZE, MATERIAL & LOCATIONS TO BE VERIFIED AND DETERMINED BY BUILDER, FOOTER CONTRACTOR OR LICENSED ENGINEER.
- 8.) ROOF VENTILATION TO BE DETERMINED & VERIFIED BUILDER, ROOFING CONTRACTOR OR LICENSED ENGINEER.
- 9.) ALL MECHANICAL SYSTEMS DESIGNS, LOCATIONS AND SIZING TO BE DETERMINED & VERIFIED BY BUILDER, APPROPRIATE TRADE CONTRACTOR AND OR LICENSED ENGINEER.
- 10.) BUILDER RESPONSIBLE FOR VERIFYING AND COMPLYING WITH ALL LOCAL, STATE & NATIONAL CODES.
- 11.) LOCAL, STATE AND NATIONAL CODES TAKE PRECEDENCE OVER DRAWINGS.
- 12.) BUILDER TO VERIFY ALL DIMENSIONS.

COPYRIGHT 2022 RED DOOR HOMES, LLC.
LICENSED TO RED DOOR HOMES OF:
THE CAROLINAS LLC



SQUARE FOOTAGE CHART

FIRST FLOOR AREA TO FRAME:	1360
SECOND FLOOR AREA TO FRAME:	628
HEATED & COOLED TO FRAME:	1988
COVERED FRONT PORCH	204
GARAGE AREA TO FRAME	400
TOTAL UNDER BEAM AREA	2592

JOB NUMBER & CLIENT NAME:

XXXXXXXXXX

ELEVATION:

CABIN

TOWN/CITY:

XXXXXXXXXX

COUNTY:

XXXXXXXXXX

AUTHORED DATE:

2022

DRAFTING UPDATES:

PRELIMINARY:
PERM: 09/28/2022 PJM
FINAL: 12.15.22 GC

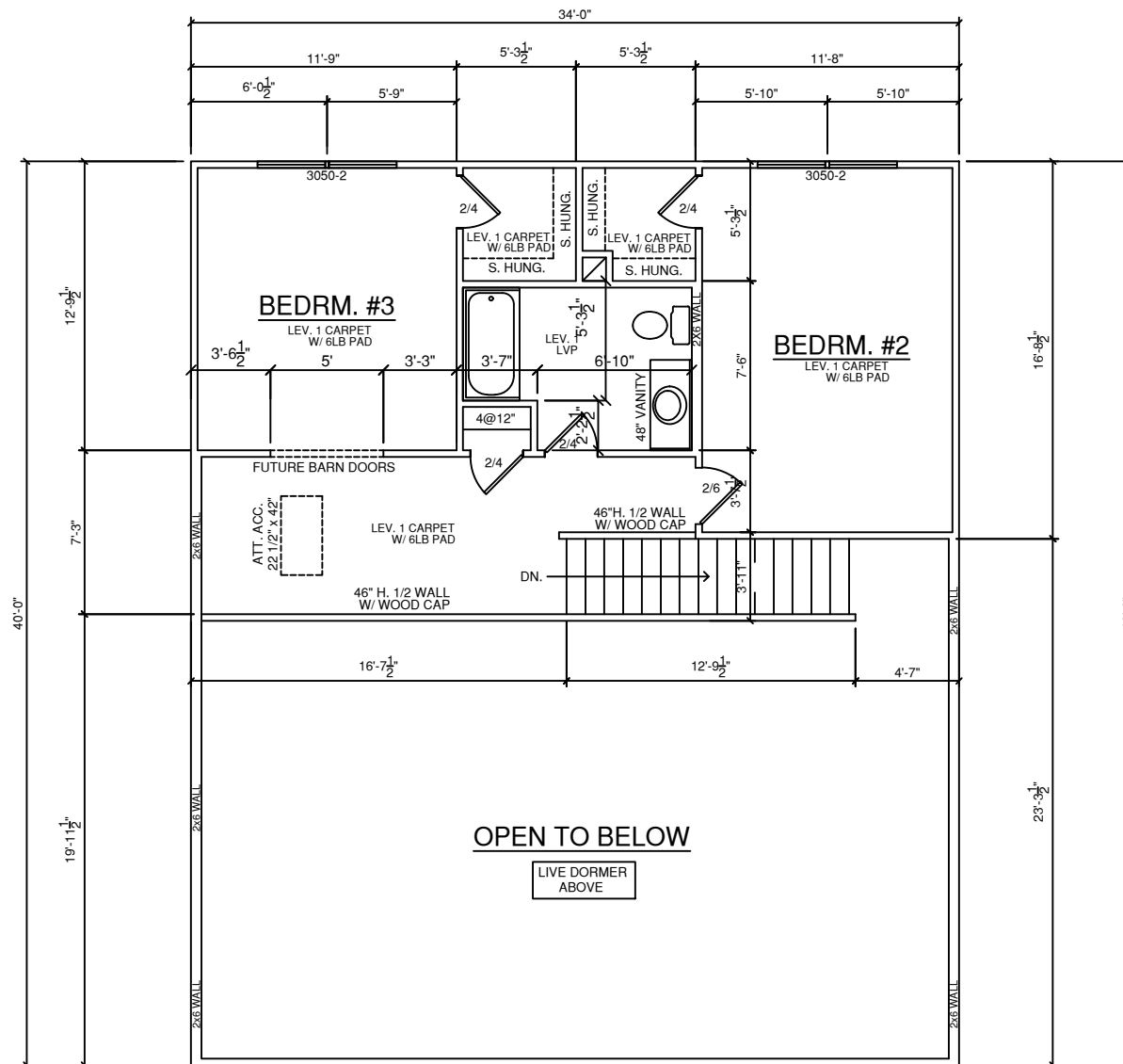
First Floor Plan

BEAUFORT
"CABIN"

BUYER _____ DATE _____

BUYER _____ DATE _____

FINAL
106-22-144 ARAGON



SECOND FLOOR PLAN
SCALE 1/8" = 1'-0"

BUYER _____ DATE _____

BUYER _____ DATE _____

FINAL
106-22-144 ARAGON

GENERAL NOTES

- 1.) MAIN FLOOR PLATE HEIGHT TO BE 8'-0" UNLESS NOTED OTHERWISE.
- 2.) OPTIONAL BONUS PLATE HEIGHT TO BE 8'-0" UNLESS NOTED OTHERWISE.
- 3.) INTERIOR & EXTERIOR WALLS TO BE DRAWN @ 3 1/2" UNLESS NOTED OTHERWISE.
- 4.) ALL ANGLES TO BE DRAWN AT 45° OR 90° UNLESS NOTED OTHERWISE.
- 5.) WINDOW HEADER HEIGHT TO BE SET @ 6'-11" UNLESS NOTED OTHERWISE. HEADER SIZE AND MATERIAL TO BE DETERMINED & VERIFIED BY FRAMER, BUILDER, TRUSS SHOP OR BY A LICENSED ENGINEER.
- 6.) SIZE, LOCATION AND MATERIALS OF BEAMS TRUSSES, GIRDERS AND HEADERS TO BE DETERMINED & VERIFIED BY BUILDER, FRAMER TRUSS SHOP OR LICENSED ENGINEER.
- 7.) FOOTER SIZE, MATERIAL & LOCATIONS TO BE VERIFIED AND DETERMINED BY BUILDER, FOOTER CONTRACTOR OR LICENSED ENGINEER.
- 8.) ROOF VENTILATION TO BE DETERMINED & VERIFIED BUILDER, ROOFING CONTRACTOR OR LICENSED ENGINEER.
- 9.) ALL MECHANICAL SYSTEMS DESIGNS, LOCATIONS AND SIZING TO BE DETERMINED & VERIFIED BY BUILDER, APPROPRIATE TRADE CONTRACTOR AND OR LICENSED ENGINEER.
- 10.) BUILDER RESPONSIBLE FOR VERIFYING AND COMPLYING WITH ALL LOCAL, STATE & NATIONAL CODES.
- 11.) LOCAL, STATE AND NATIONAL CODES TAKE PRECEDENCE OVER DRAWINGS.
- 12.) BUILDER TO VERIFY ALL DIMENSIONS.

COPYRIGHT 2022 RED DOOR HOMES, LLC.
LICENSED TO RED DOOR HOMES OF:
THE CAROLINAS LLC



SQUARE FOOTAGE CHART

FIRST FLOOR AREA TO FRAME:	1360
SECOND FLOOR AREA TO FRAME:	628
HEATED & COOLED TO FRAME:	1988
COVERED FRONT PORCH	204
GARAGE AREA TO FRAME	400
TOTAL UNDER BEAM AREA	2592

JOB NUMBER & CLIENT NAME:

XXXXXXXXXX

ELEVATION:

CABIN

TOWN/CITY:

XXXXXXXXXX

COUNTY:

XXXXXXXXXX

AUTHORED DATE:

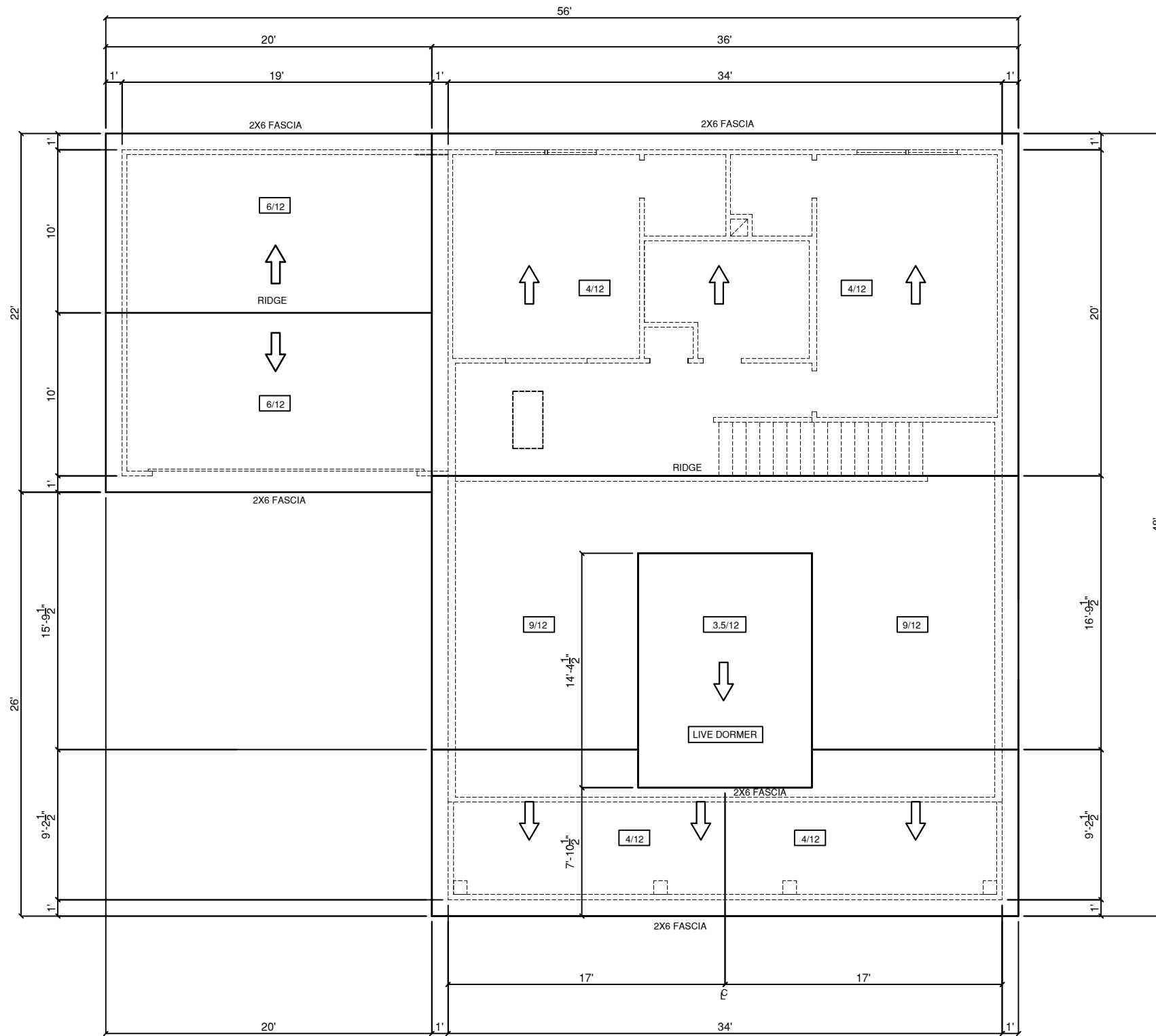
2022

DRAFTING UPDATES:

PRELIMINARY:
PERM: 09/28/2022 PJM
FINAL: 12.15.22 GC

Second Floor Plan

BEAUFORT
"CABIN"



ROOF PLAN
SCALE: 1/8" = 1'-0"

BUYER _____ DATE _____

BUYER _____ DATE _____

FINAL
106-22-144 ARAGON

GENERAL NOTES

- 1.) MAIN FLOOR PLATE HEIGHT TO BE 8'-0" UNLESS NOTED OTHERWISE.
- 2.) OPTIONAL BONUS PLATE HEIGHT TO BE 8'-0" UNLESS NOTED OTHERWISE.
- 3.) INTERIOR & EXTERIOR WALLS TO BE DRAWN @ 3 1/2" UNLESS NOTED OTHERWISE.
- 4.) ALL ANGLES TO BE DRAWN AT 45° OR 90° UNLESS NOTED OTHERWISE.
- 5.) WINDOW HEADER HEIGHT TO BE SET @ 6'-11" UNLESS NOTED OTHERWISE. HEADER SIZE AND MATERIAL TO BE DETERMINED & VERIFIED BY FRAMER, BUILDER, TRUSS SHOP OR BY A LICENSED ENGINEER.
- 6.) SIZE, LOCATION AND MATERIALS OF BEAMS, TRUSSES, GIRDERS AND HEADERS TO BE DETERMINED & VERIFIED BY BUILDER, FRAMER, TRUSS SHOP OR LICENSED ENGINEER.
- 7.) FOOTER SIZE, MATERIAL & LOCATIONS TO BE VERIFIED AND DETERMINED BY BUILDER, FOOTER CONTRACTOR OR LICENSED ENGINEER.
- 8.) ROOF VENTILATION TO BE DETERMINED & VERIFIED BY BUILDER, ROOFING CONTRACTOR OR LICENSED ENGINEER.
- 9.) ALL MECHANICAL SYSTEMS DESIGNS, LOCATIONS AND SIZING TO BE DETERMINED & VERIFIED BY BUILDER, APPROPRIATE TRADE CONTRACTOR AND OR LICENSED ENGINEER.
- 10.) BUILDER RESPONSIBLE FOR VERIFYING AND COMPLYING WITH ALL LOCAL, STATE & NATIONAL CODES.
- 11.) LOCAL, STATE AND NATIONAL CODES TAKE PRECEDENCE OVER DRAWINGS.
- 12.) BUILDER TO VERIFY ALL DIMENSIONS.

COPYRIGHT 2022 RED DOOR HOMES, LLC.
LICENSED TO RED DOOR HOMES OF:
THE CAROLINAS LLC



SQUARE FOOTAGE CHART

FIRST FLOOR AREA TO FRAME:	1360
SECOND FLOOR AREA TO FRAME:	628
HEATED & COOLED TO FRAME:	1988
COVERED FRONT PORCH	204
GARAGE AREA TO FRAME	400
TOTAL UNDER BEAM AREA	2592

JOB NUMBER & CLIENT NAME:

XXXXXXXXXX

ELEVATION:

CABIN

TOWN/CITY:

XXXXXXXXXX

COUNTY:

XXXXXXXXXX

AUTHORED DATE:

2022

DRAFTING UPDATES:

PRELIMINARY:
PERM: 09/28/2022 PJM
FINAL: 12.15.22 GC

Roof Plan

BEAUFORT

"CABIN"

ELECTRICAL LEGEND

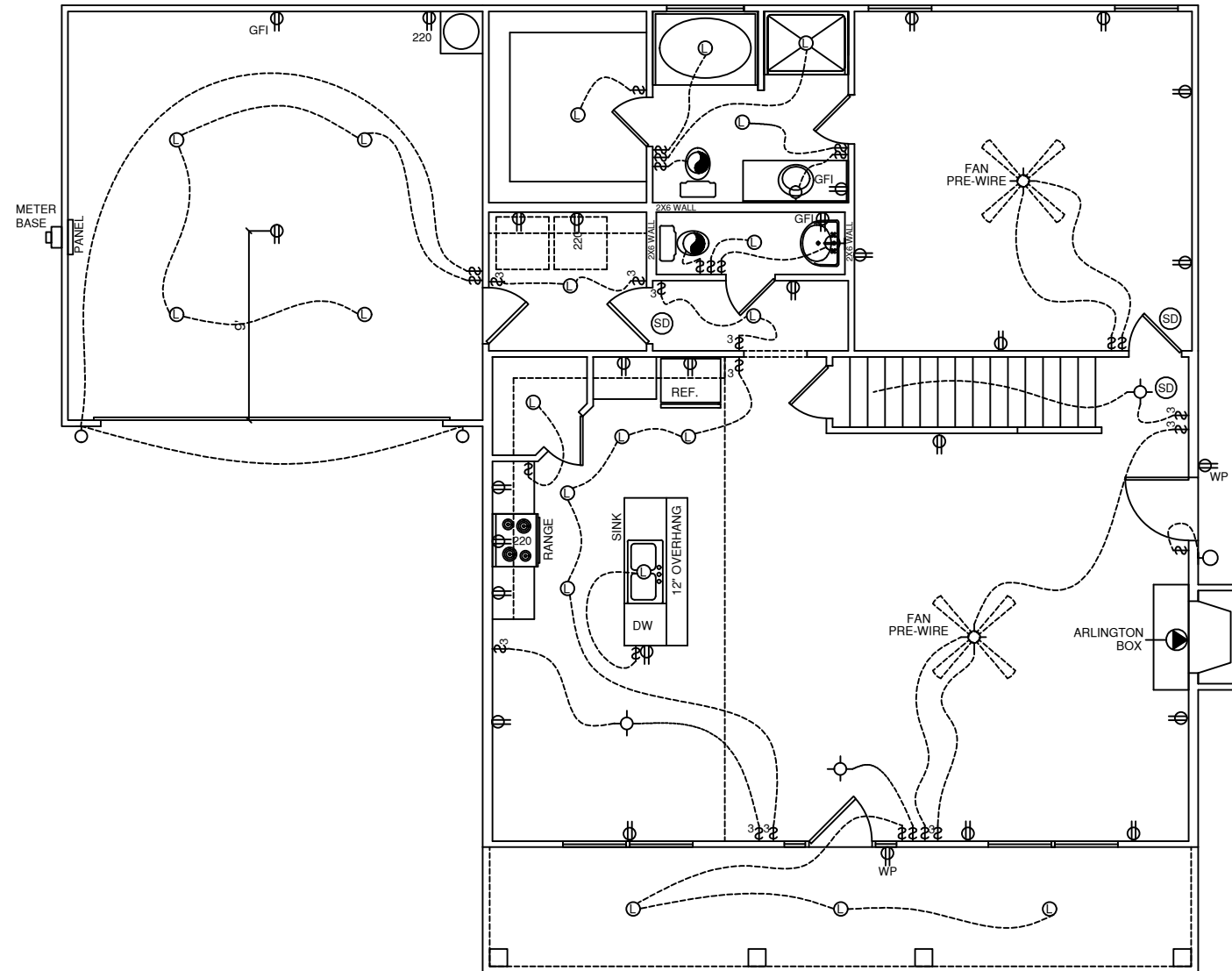
	DUPLEX OUTLET
	GROUND FAULT INTERRUPTER OUTLET
	WATER PROOF OUTLET
	220 VOLT OUTLET
	SINGLE POLE SWITCH
	THREE-WAY SWITCH
	FOUR-WAY SWITCH
	LIGHT, SURFACE MOUNTED
	LIGHT, L.E.D. RECESSED MOUNTED
	LIGHT, PENDANT
	LIGHT, COACH / VANITY
	LIGHT, UNDER WALL CABINET
	LIGHT, OUTDOOR FLOOD
	EXHAUST FAN
	SMOKE DETECTOR
	THERMOSTAT
	CEILING FAN WITH LIGHT
	CEILING FAN PRE-WIRE AT LIGHT
	RECEPTACLE, PHONE
	RECEPTACLE, CAT CABLE
	RECEPTACLE, T.V. CABLE
	ELECTRICAL PANEL
	METER BASE
	CHIME BELL, DOOR
	EAVE LIGHT

ELECTRICAL NOTES

- ALL ELECTRICAL TO MEET N.E.C.
- PROVIDE 200 AMP SINGLE PHASE SERVICE
- PROVIDE ALL COPPER WIRING
- CONTRACTOR TO CONNECT ALL FIXTURES AND APPLIANCES
- CONTRACTOR TO HAVE VALID LICENSE TO DO ELECTRICAL WORK
- PROVIDE #5 REBAR ELECTRICAL GROUND TO FOUNDATION STEEL
- PROVIDE AND INSTALL LOCALLY CERTIFIED SMOKE DETECTORS AS REQUIRED BY NATIONAL FIRE PROTECTION ASSOCIATION (NFPA) AND MEETING THE REQUIREMENTS OF ALL GOVERNING CODES
- PROVIDE AND INSTALL GROUND FAULT CIRCUIT- INTERRUPTERS (GFI) AS REQUIRED BY NATIONAL ELECTRICAL CODE (NEC) AND MEETING THE REQUIREMENTS OF ALL GOVERNING CODES
- UNLESS OTHERWISE INDICATED, INSTALL SWITCHES & RECEPTACLES AT THE FOLLOWING HEIGHTS ABOVE THE FINISHED FLOOR:

SWITCHES	42"
OUTLETS	14"
TELEPHONE	14"
TELEVISION	14"

- GARAGE DOOR OPENER W/ 2 REMOTES



FIRST FLOOR ELECTRICAL PLAN

SCALE 1/8" = 1'-0"

GENERAL NOTES

- MAIN FLOOR PLATE HEIGHT TO BE 8'-0" UNLESS NOTED OTHERWISE.
- OPTIONAL BONUS PLATE HEIGHT TO BE 8'-0" UNLESS NOTED OTHERWISE.
- INTERIOR & EXTERIOR WALLS TO BE DRAWN @ 3 1/2" UNLESS NOTED OTHERWISE.
- ALL ANGLES TO BE DRAWN AT 45° OR 90° UNLESS NOTED OTHERWISE.
- WINDOW HEADER HEIGHT TO BE SET @ 6'-11" UNLESS NOTED OTHERWISE. HEADER SIZE AND MATERIAL TO BE DETERMINED & VERIFIED BY FRAMER, BUILDER, TRUSS SHOP OR BY A LICENSED ENGINEER.
- SIZE, LOCATION AND MATERIALS OF BEAMS, TRUSSES, GIRDERS AND HEADERS TO BE DETERMINED & VERIFIED BY BUILDER, FRAMER TRUSS SHOP OR LICENSED ENGINEER.
- FOOTER SIZE, MATERIAL & LOCATIONS TO BE VERIFIED AND DETERMINED BY BUILDER, FOOTER CONTRACTOR OR LICENSED ENGINEER.
- ROOF VENTILATION TO BE DETERMINED & VERIFIED BUILDER, ROOFING CONTRACTOR OR LICENSED ENGINEER.
- ALL MECHANICAL SYSTEMS DESIGNS, LOCATIONS AND SIZING TO BE DETERMINED & VERIFIED BY BUILDER, APPROPRIATE TRADE CONTRACTOR AND OR LICENSED ENGINEER.
- BUILDER RESPONSIBLE FOR VERIFYING AND COMPLYING WITH ALL LOCAL, STATE & NATIONAL CODES.
- LOCAL, STATE AND NATIONAL CODES TAKE PRECEDENCE OVER DRAWINGS.
- BUILDER TO VERIFY ALL DIMENSIONS.

COPYRIGHT 2022 RED DOOR HOMES, LLC.
LICENSED TO RED DOOR HOMES OF:
THE CAROLINAS LLC



SQUARE FOOTAGE CHART

FIRST FLOOR AREA TO FRAME:	1360
SECOND FLOOR AREA TO FRAME:	628
HEATED & COOLED TO FRAME:	1988
COVERED FRONT PORCH	204
GARAGE AREA TO FRAME	400
TOTAL UNDER BEAM AREA	2592

JOB NUMBER & CLIENT NAME:

XXXXXXXXXX

ELEVATION:

CABIN

TOWN/CITY:

XXXXXXXXXX

COUNTY:

XXXXXXXXXX

AUTHORED DATE:

2022

DRAFTING UPDATES:

PRELIMINARY:
PERM: 09/28/2022 PJM
FINAL: 12.15.22 GC

First Floor Electrical

BEAUFORT
"CABIN"

BUYER _____ DATE _____

BUYER _____ DATE _____

FINAL
106-22-144 ARAGON

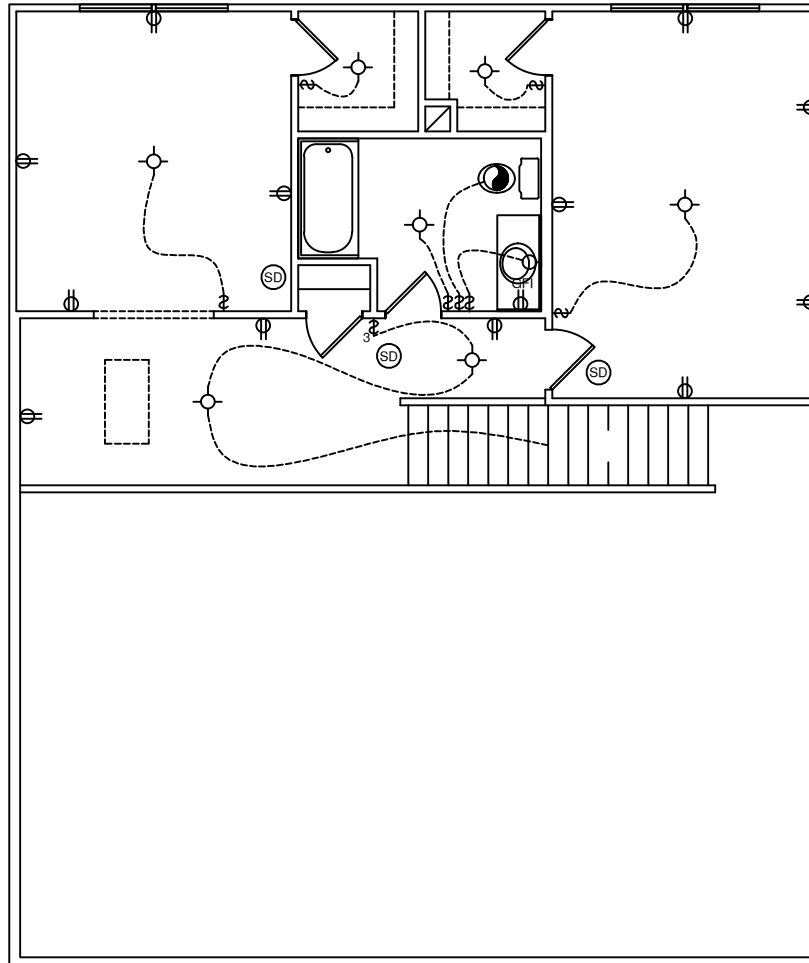
ELECTRICAL LEGEND

	DUPLEX OUTLET
	GROUND FAULT INTERRUPTER OUTLET
	WATER PROOF OUTLET
	220 VOLT OUTLET
	SINGLE POLE SWITCH
	THREE-WAY SWITCH
	FOUR-WAY SWITCH
	LIGHT, SURFACE MOUNTED
	LIGHT, L.E.D. RECESSED MOUNTED
	LIGHT, PENDANT
	LIGHT, COACH / VANITY
	LIGHT, UNDER WALL CABINET
	LIGHT, OUTDOOR FLOOD
	EXHAUST FAN
	SMOKE DETECTOR
	THERMOSTAT
	CEILING FAN WITH LIGHT
	CEILING FAN PRE-WIRE AT LIGHT
	RECEPTACLE, PHONE
	RECEPTACLE, CAT CABLE
	RECEPTACLE, T.V. CABLE
	ELECTRICAL PANEL
	METER BASE
	CHIME BELL, DOOR
	EAVE LIGHT

ELECTRICAL NOTES

- ALL ELECTRICAL TO MEET N.E.C.
- PROVIDE 200 AMP SINGLE PHASE SERVICE
- PROVIDE ALL COPPER WIRING
- CONTRACTOR TO CONNECT ALL FIXTURES AND APPLIANCES
- CONTRACTOR TO HAVE VALID LICENSE TO DO ELECTRICAL WORK
- PROVIDE #5 REBAR ELECTRICAL GROUND TO FOUNDATION STEEL
- PROVIDE AND INSTALL LOCALLY CERTIFIED SMOKE DETECTORS AS REQUIRED BY NATIONAL FIRE PROTECTION ASSOCIATION (NFPA) AND MEETING THE REQUIREMENTS OF ALL GOVERNING CODES
- PROVIDE AND INSTALL GROUND FAULT CIRCUIT- INTERRUPTERS (GFI) AS REQUIRED BY NATIONAL ELECTRICAL CODE (NEC) AND MEETING THE REQUIREMENTS OF ALL GOVERNING CODES
- UNLESS OTHERWISE INDICATED, INSTALL SWITCHES & RECEPTACLES AT THE FOLLOWING HEIGHTS ABOVE THE FINISHED FLOOR:

SWITCHES	42"
OUTLETS	14"
TELEPHONE	14"
TELEVISION	14"



SECOND FLOOR ELECTRICAL PLAN

SCALE: 1/8" = 1'-0"

GENERAL NOTES

- MAIN FLOOR PLATE HEIGHT TO BE 8'-0" UNLESS NOTED OTHERWISE.
- OPTIONAL BONUS PLATE HEIGHT TO BE 8'-0" UNLESS NOTED OTHERWISE.
- INTERIOR & EXTERIOR WALLS TO BE DRAWN @ 3 1/2" UNLESS NOTED OTHERWISE.
- ALL ANGLES TO BE DRAWN AT 45° OR 90° UNLESS NOTED OTHERWISE.
- WINDOW HEADER HEIGHT TO BE SET @ 6'-11" UNLESS NOTED OTHERWISE, HEADER SIZE AND MATERIAL TO BE DETERMINED & VERIFIED BY FRAMER, BUILDER, TRUSS SHOP OR BY A LICENSED ENGINEER.
- SIZE, LOCATION AND MATERIALS OF BEAMS TRUSSES, GIRDERS AND HEADERS TO BE DETERMINED & VERIFIED BY BUILDER, FRAMER TRUSS SHOP OR LICENSED ENGINEER.
- FOOTER SIZE, MATERIAL & LOCATIONS TO BE VERIFIED AND DETERMINED BY BUILDER, FOOTER CONTRACTOR OR LICENSED ENGINEER.
- ROOF VENTILATION TO BE DETERMINED & VERIFIED BUILDER, ROOFING CONTRACTOR OR LICENSED ENGINEER.
- ALL MECHANICAL SYSTEMS DESIGNS, LOCATIONS AND SIZING TO BE DETERMINED & VERIFIED BY BUILDER, APPROPRIATE TRADE CONTRACTOR AND OR LICENSED ENGINEER.
- BUILDER RESPONSIBLE FOR VERIFYING AND COMPLYING WITH ALL LOCAL, STATE & NATIONAL CODES.
- LOCAL, STATE AND NATIONAL CODES TAKE PRECEDENCE OVER DRAWINGS.
- BUILDER TO VERIFY ALL DIMENSIONS.

COPYRIGHT 2022 RED DOOR HOMES, LLC.
LICENSED TO RED DOOR HOMES OF:
THE CAROLINAS LLC



SQUARE FOOTAGE CHART

FIRST FLOOR AREA TO FRAME:	1360
SECOND FLOOR AREA TO FRAME:	628
HEATED & COOLED TO FRAME:	1988
COVERED FRONT PORCH	204
GARAGE AREA TO FRAME	400
TOTAL UNDER BEAM AREA	2592

JOB NUMBER & CLIENT NAME:

XXXXXXXXXX

ELEVATION:

CABIN

TOWN/CITY:

XXXXXXXXXX

COUNTY:

XXXXXXXXXX

AUTHORED DATE:

2022

DRAFTING UPDATES:

PRELIMINARY:
PERM: 09/28/2022 PJM
FINAL: 12.15.22 GC

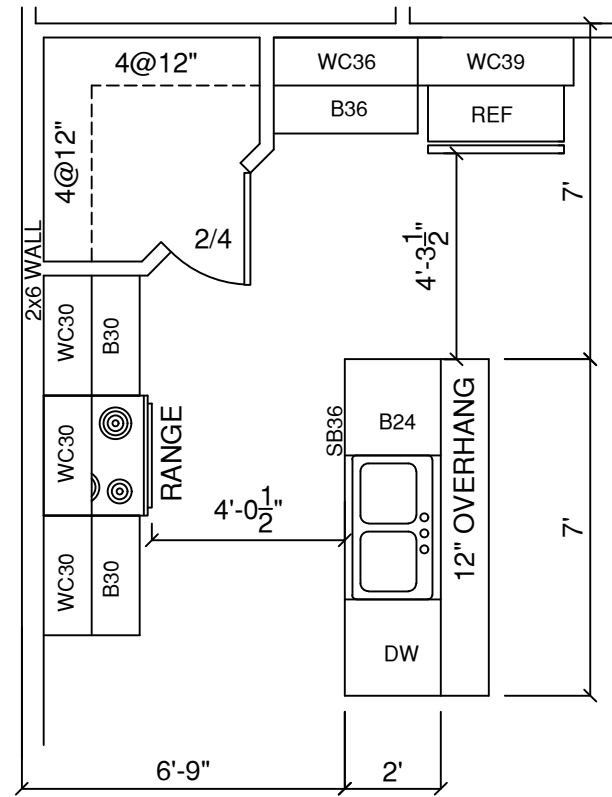
Second Floor Electrical

BEAUFORT
"CABIN"

BUYER _____ DATE _____

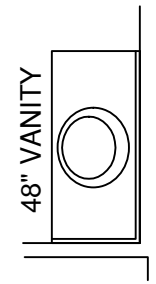
BUYER _____ DATE _____

FINAL
106-22-144 ARAGON

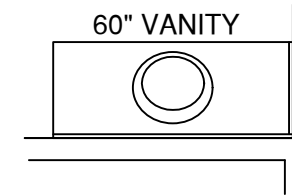


THYME KITCHEN
SCALE: = 1/4" = 1'-0"

- LEV. 4 FRIGIDAIRE APPLIANCE PACKAGE S.S. W/ LEVEL 5 S.S. FRENCH DOOR REF.
- STAGGERED 30" & 36" UPPER CABINETS IN KITCHEN
- LEVEL 3 CABINETS IN KITCHEN
- LEVEL 2 CABINETS IN MASTER BATH
- LEVEL 2 CABINETS IN HALL BATH



HALL VANITY
SCALE: = 1/4" = 1'-0"



MASTER VANITY
SCALE: = 1/4" = 1'-0"

BUYER _____

DATE _____

BUYER _____

DATE _____

GENERAL NOTES

- 1.) MAIN FLOOR PLATE HEIGHT TO BE 8'-0" UNLESS NOTED OTHERWISE.
- 2.) OPTIONAL BONUS PLATE HEIGHT TO BE 8'-0" UNLESS NOTED OTHERWISE.
- 3.) INTERIOR & EXTERIOR WALLS TO BE DRAWN @ 3 1/2" UNLESS NOTED OTHERWISE.
- 4.) ALL ANGLES TO BE DRAWN AT 45° OR 90° UNLESS NOTED OTHERWISE.
- 5.) WINDOW HEADER HEIGHT TO BE SET @ 6'-11" UNLESS NOTED OTHERWISE. HEADER SIZE AND MATERIAL TO BE DETERMINED & VERIFIED BY FRAMER, BUILDER, TRUSS SHOP OR BY A LICENSED ENGINEER.
- 6.) SIZE, LOCATION AND MATERIALS OF BEAMS TRUSSES, GIRDERS AND HEADERS TO BE DETERMINED & VERIFIED BY BUILDER, FRAMER TRUSS SHOP OR LICENSED ENGINEER.
- 7.) FOOTER SIZE, MATERIAL & LOCATIONS TO BE VERIFIED AND DETERMINED BY BUILDER, FOOTER CONTRACTOR OR LICENSED ENGINEER.
- 8.) ROOF VENTILATION TO BE DETERMINED & VERIFIED BUILDER, ROOFING CONTRACTOR OR LICENSED ENGINEER.
- 9.) ALL MECHANICAL SYSTEMS DESIGNS, LOCATIONS AND SIZING TO BE DETERMINED & VERIFIED BY BUILDER, APPROPRIATE TRADE CONTRACTOR AND OR LICENSED ENGINEER.
- 10.) BUILDER RESPONSIBLE FOR VERIFYING AND COMPLYING WITH ALL LOCAL, STATE & NATIONAL CODES.
- 11.) LOCAL, STATE AND NATIONAL CODES TAKE PRECEDENCE OVER DRAWINGS.
- 12.) BUILDER TO VERIFY ALL DIMENSIONS.

COPYRIGHT 2022 RED DOOR HOMES, LLC.
LICENSED TO RED DOOR HOMES OF:
THE CAROLINAS LLC



SQUARE FOOTAGE CHART

FIRST FLOOR AREA TO FRAME:	1360
SECOND FLOOR AREA TO FRAME:	628
HEATED & COOLED TO FRAME:	1988
COVERED FRONT PORCH	204
TOTAL UNDER BEAM AREA	2192

CABINET LEGEND

- WC: WALL CABINET
- WCC: WALL CORNER CABINET
- B: BASE CABINET
- SB: SINK BASE
- CB: CORNER BASE

JOB NUMBER & CLIENT NAME:

XXXXXXXXXX

ELEVATION:

CABIN

TOWN/CITY:

XXXXXXXXXX

COUNTY:

XXXXXXXXXX

AUTHORED DATE:

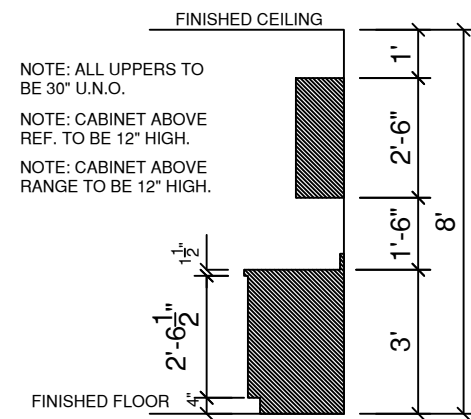
2022

DRAFTING UPDATES:

PRELIMINARY:
PERM: 09/28/2022 PJM
FINAL: 12.15.22 GC

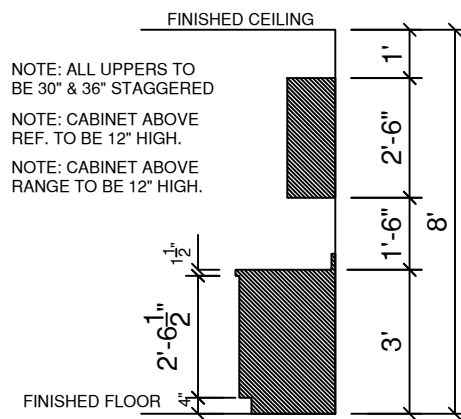
Cabinet Layout

BEAUFORT
"CABIN"



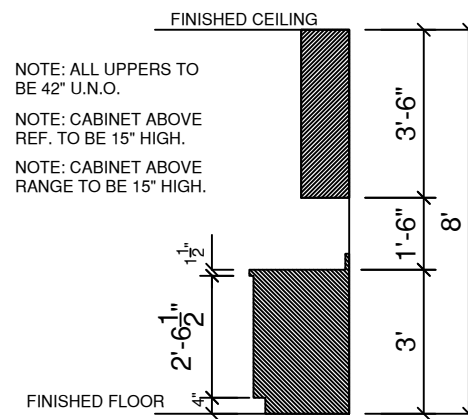
STANDARD 30" WALL CABS.
SCALE: = 1/4" = 1'-0"

- OPTIONAL SCRIBE TRIM MLD'G.
- OPTIONAL CROWN MLD'G.



STAGGERED 30" & 36" CABINETS
SCALE: = 1/4" = 1'-0"

- OPTIONAL SCRIBE TRIM MLD'G.
- OPTIONAL CROWN MLD'G.



OPTIONAL 42" WALL CABS.
SCALE: = 1/4" = 1'-0"

- OPTIONAL SCRIBE TRIM MLD'G.
- OPTIONAL CROWN MLD'G.

FINAL
106-22-144 ARAGON