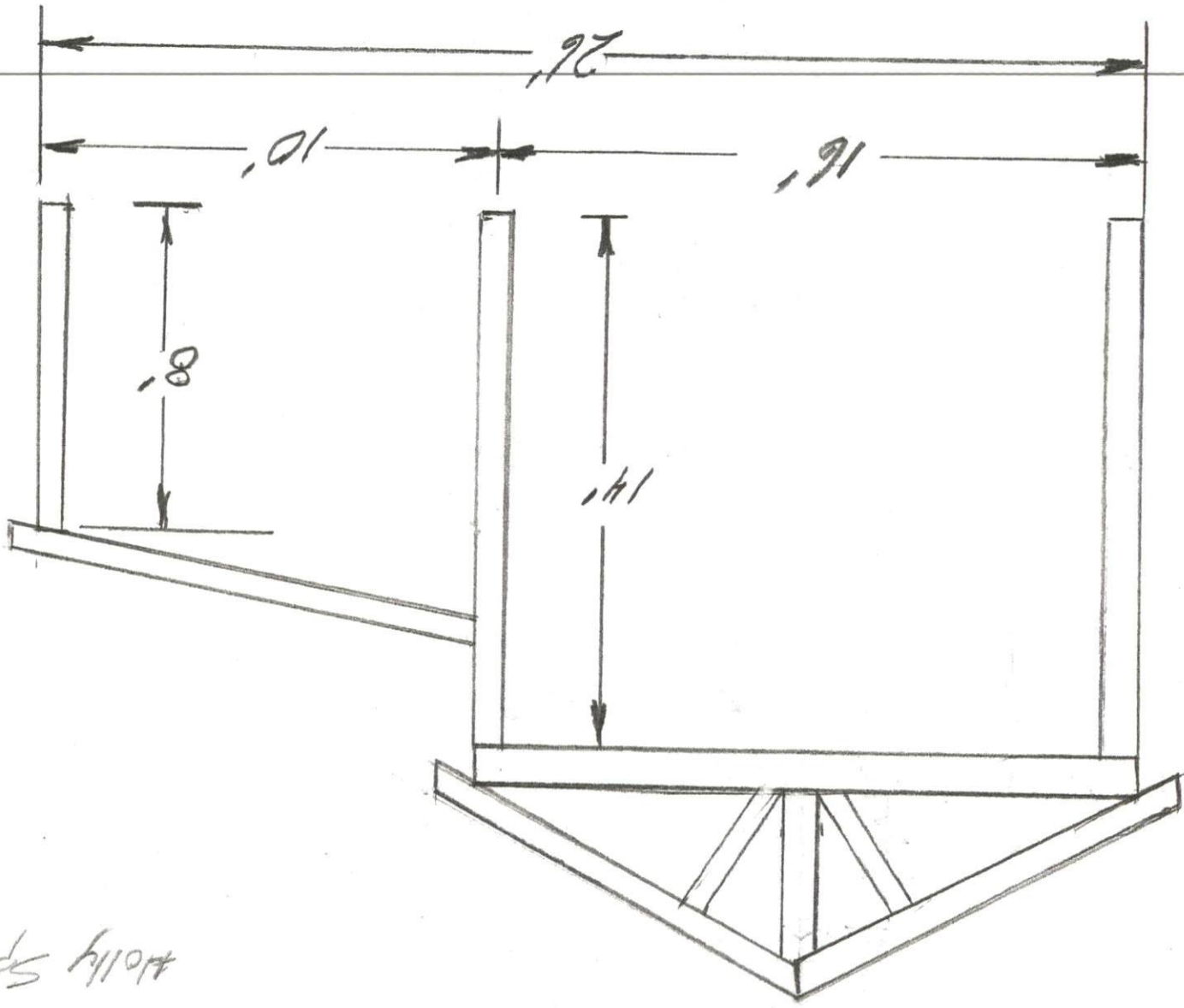
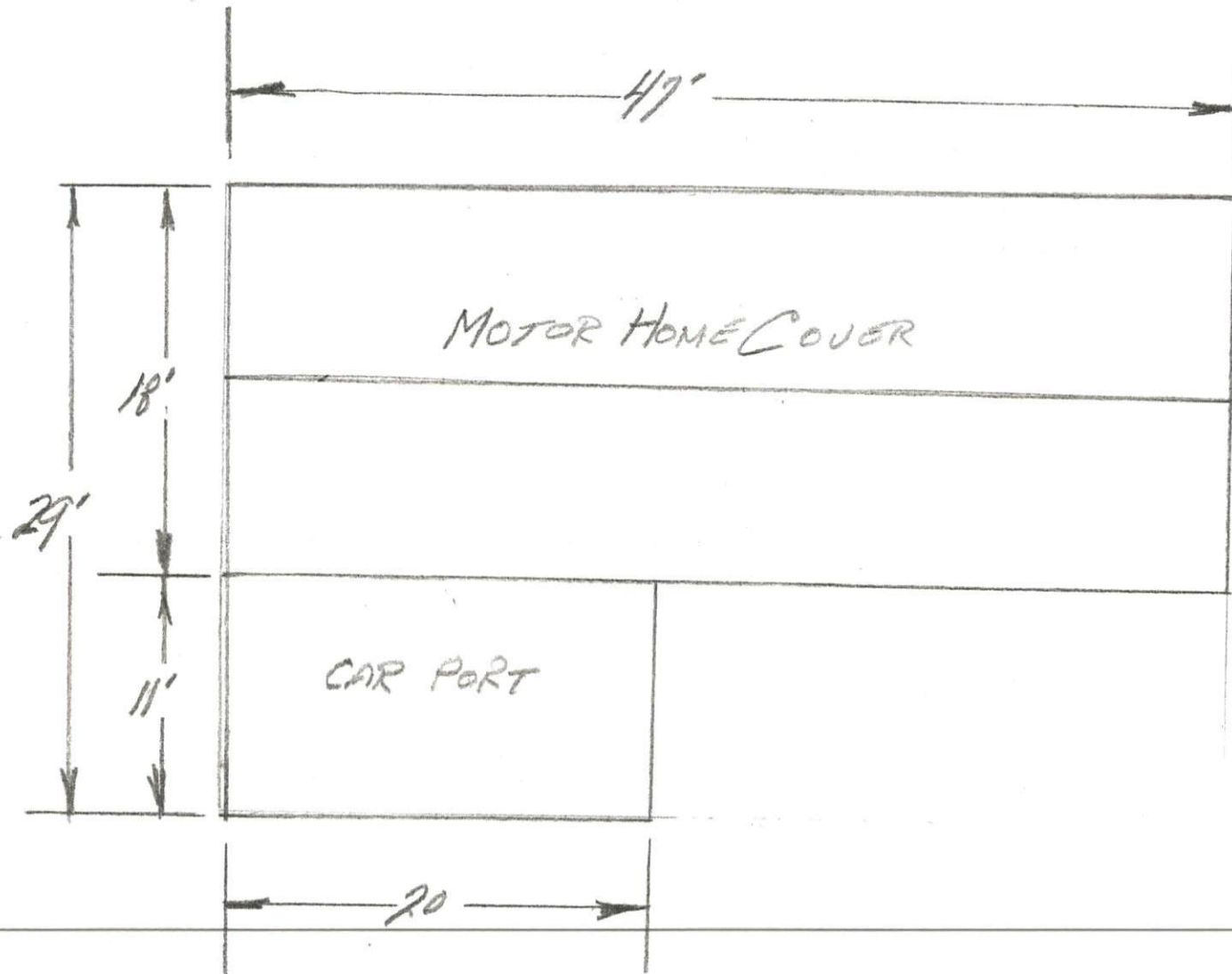


FRONT

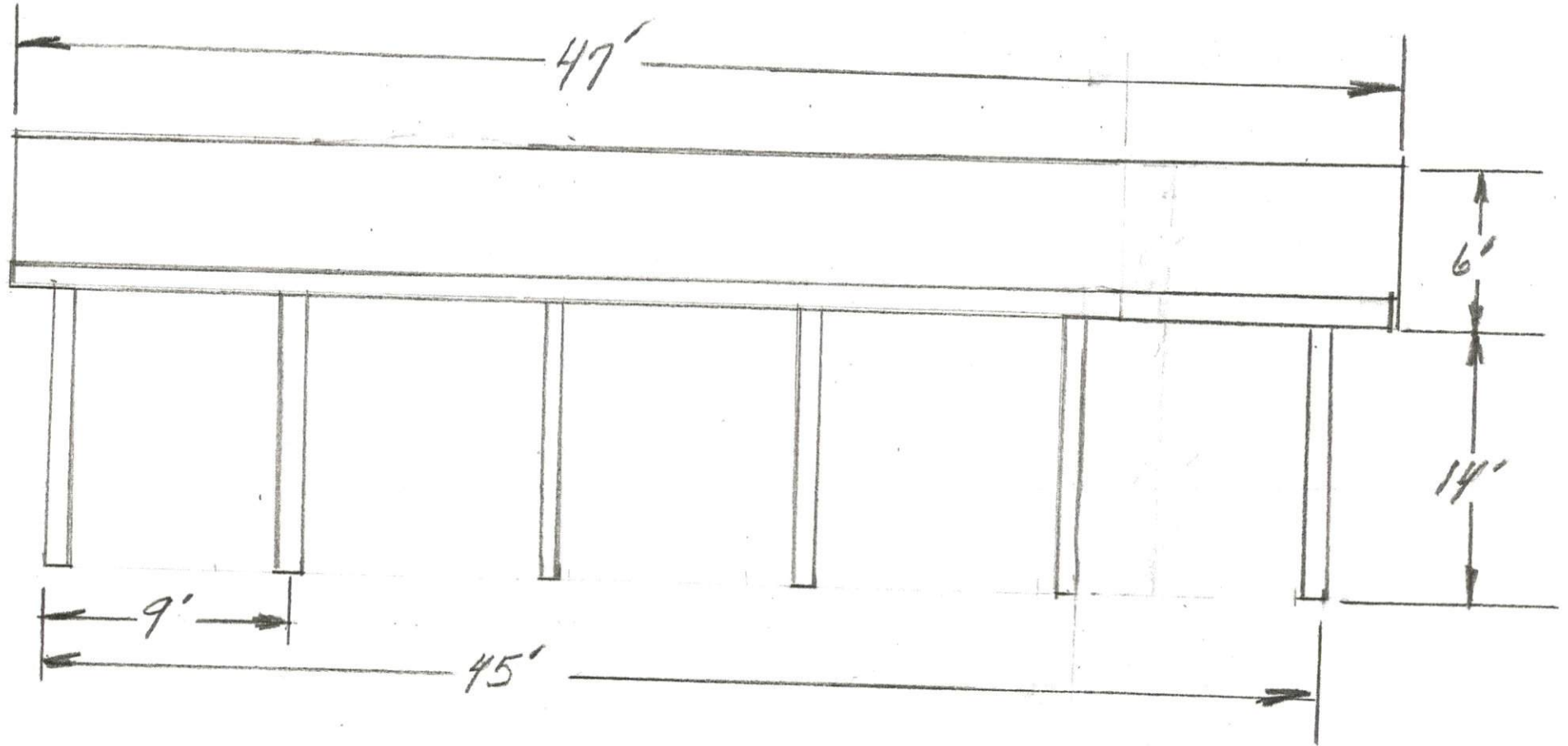


REV. MARCIA MAIRES
415 WADE STEPHENSON RD.
HOLLY SPRINGS, NC

TOP VIEW



SIDE VIEW

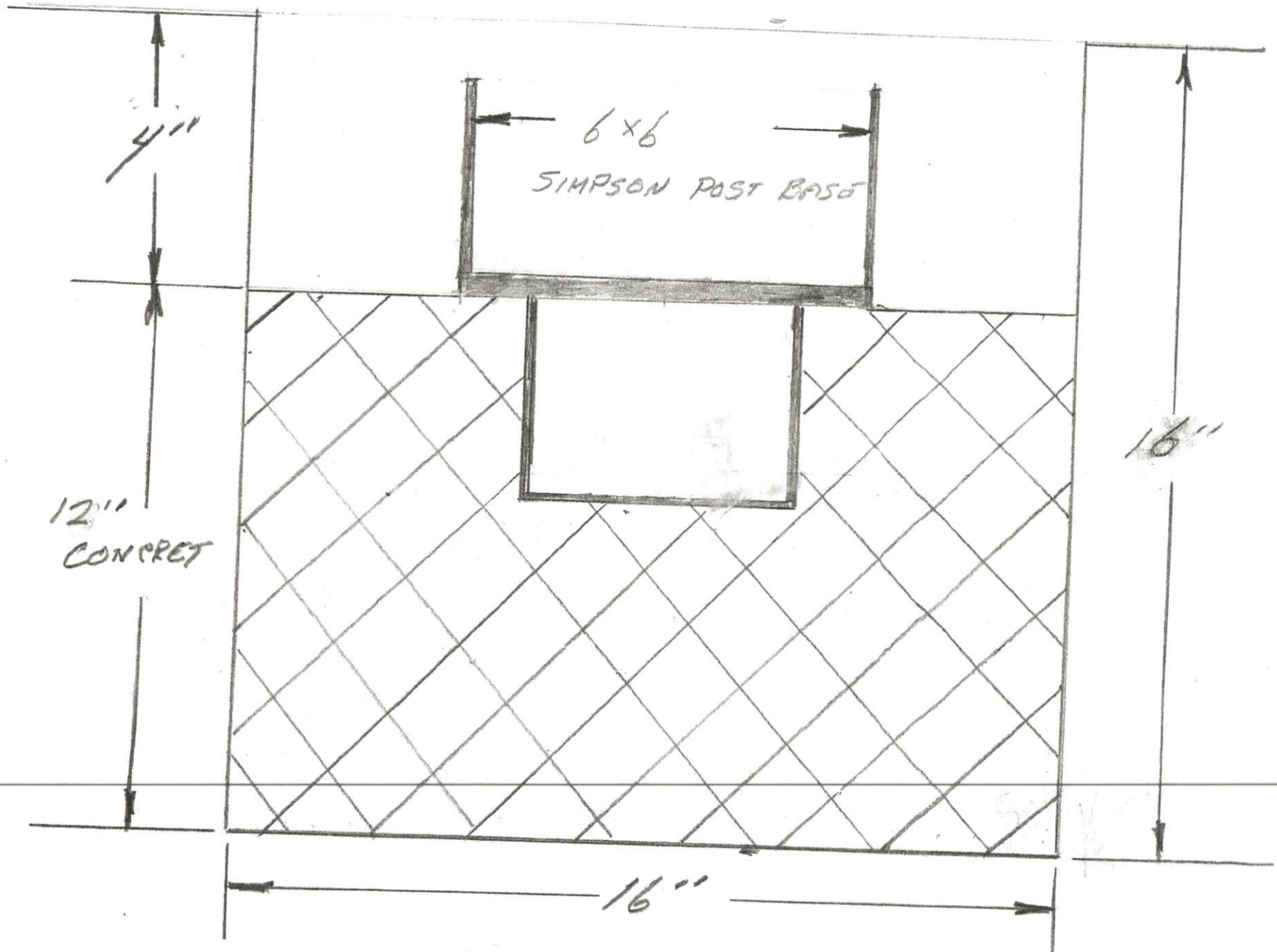


POST - 6x6x15
- 9 FT. CENTER

$\frac{1}{8} = 1 \text{ FOOT}$

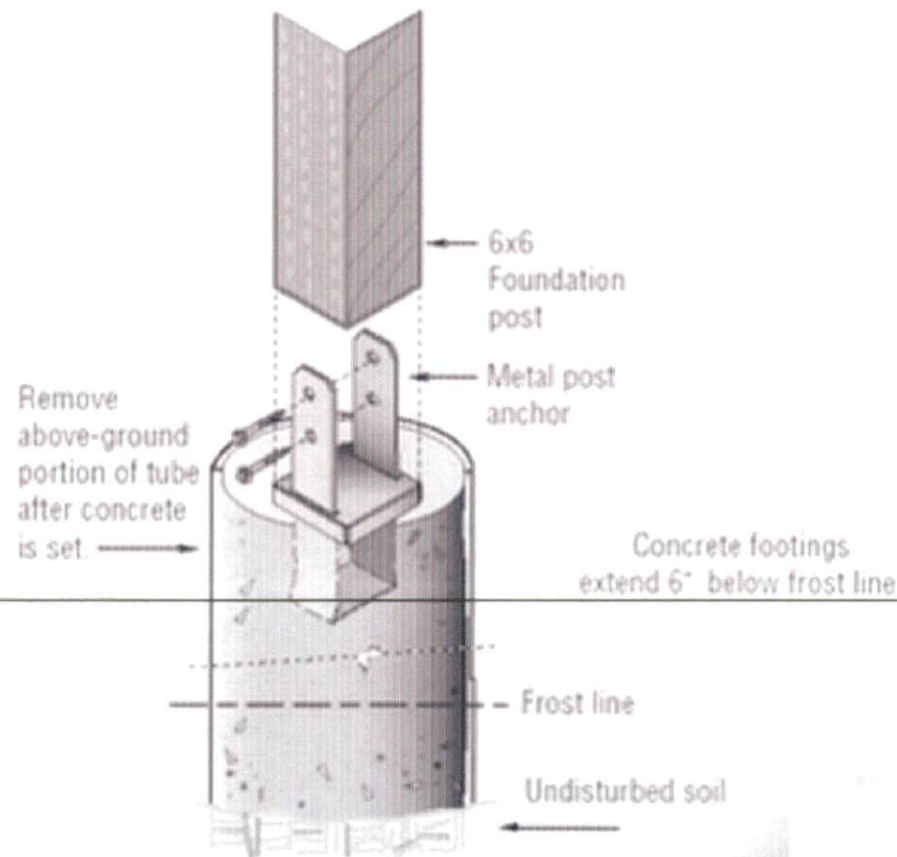
DO NOT SCALE



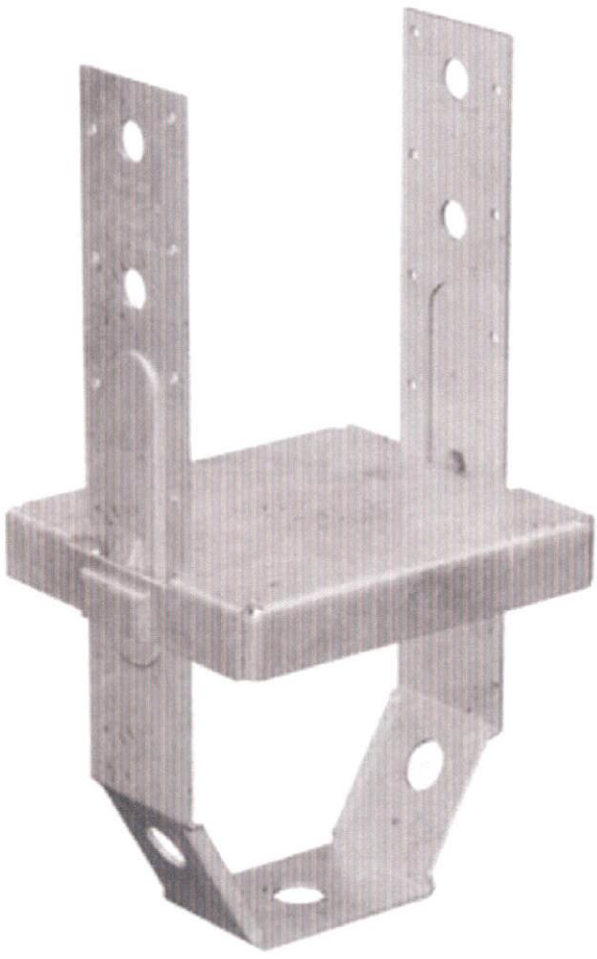


What's Important when Installing Deck Footings

If you want your wooden deck posts to be dead center in the middle of the concrete footing, then you need to have the outline of the deck built and suspended in the air. Installing deck footings is very simple to do.



Simpson PBS66 6x6 Post Base Stand Off



SKU: PBS66

★★★★★ 1 review

POST SIZE:

4X6

6X6