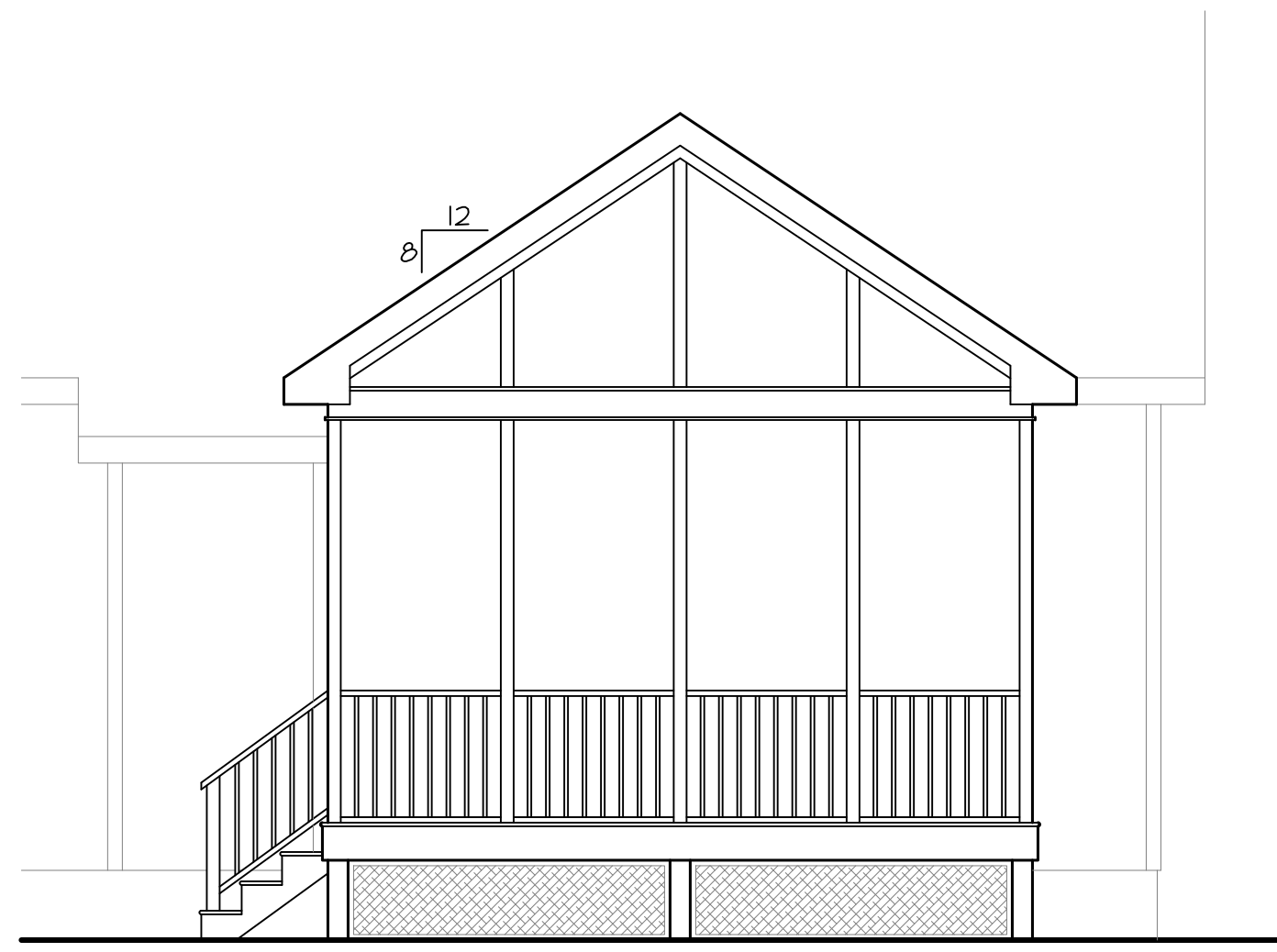
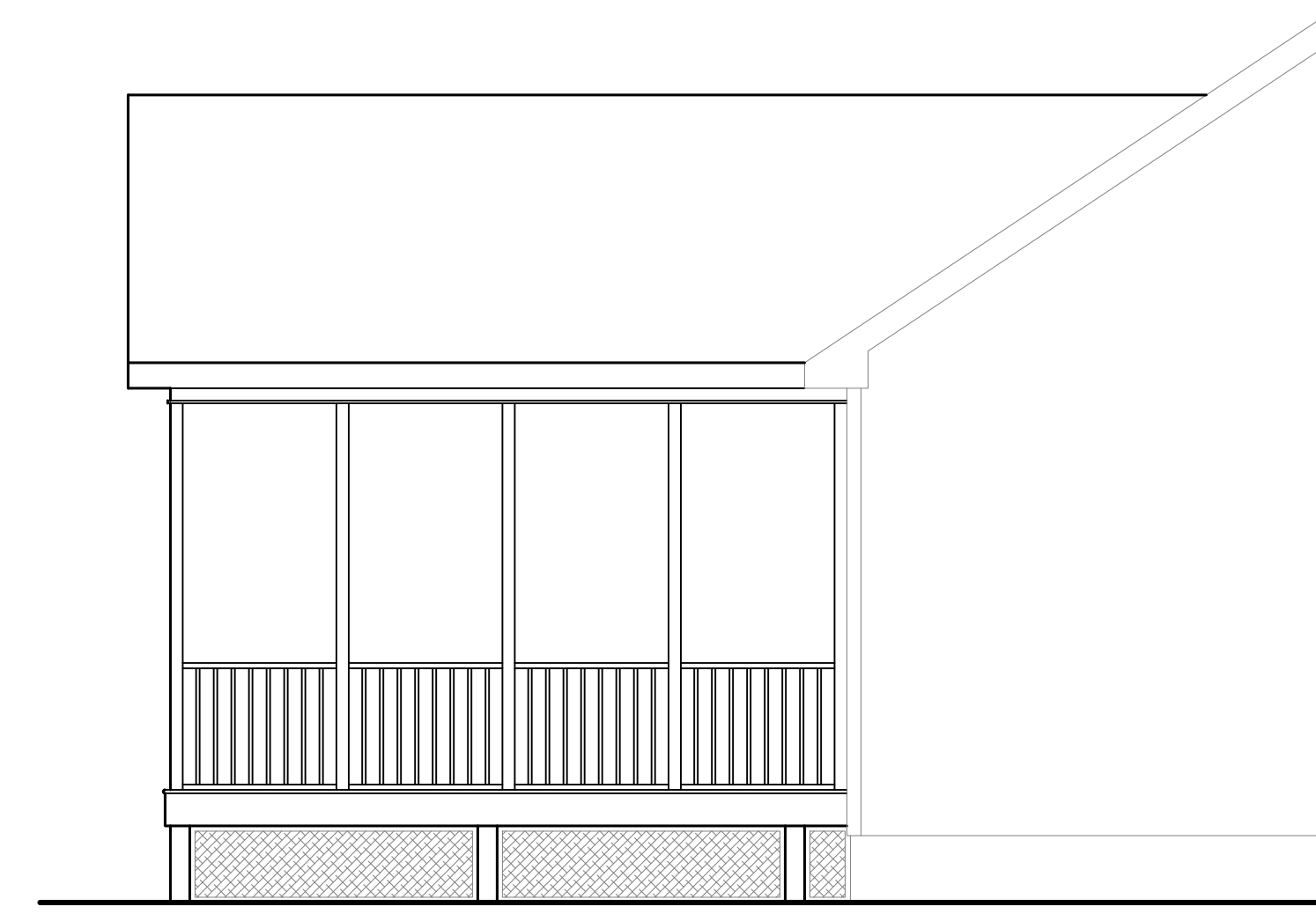


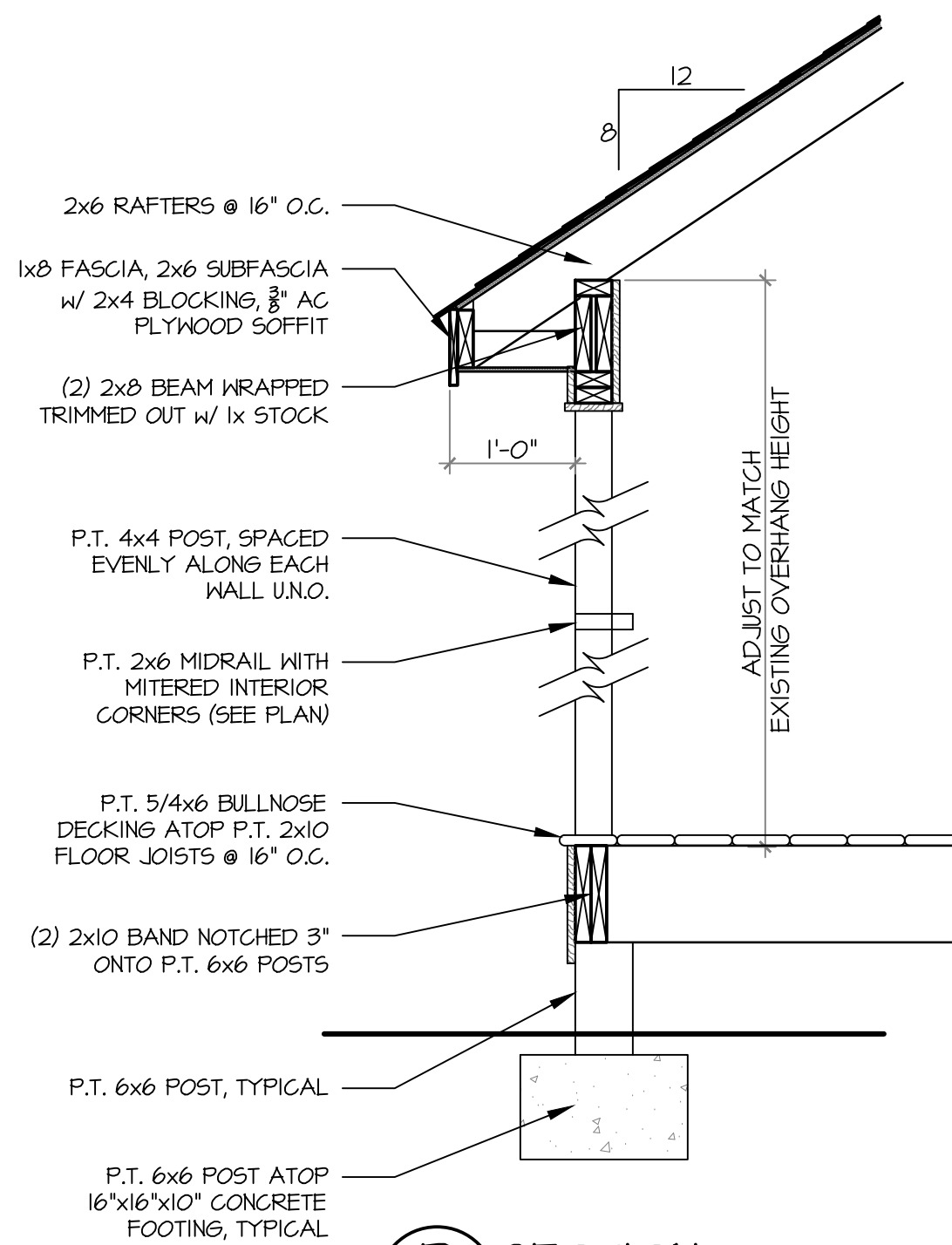
A RIGHT ELEVATION
1/4" = 1'-0"



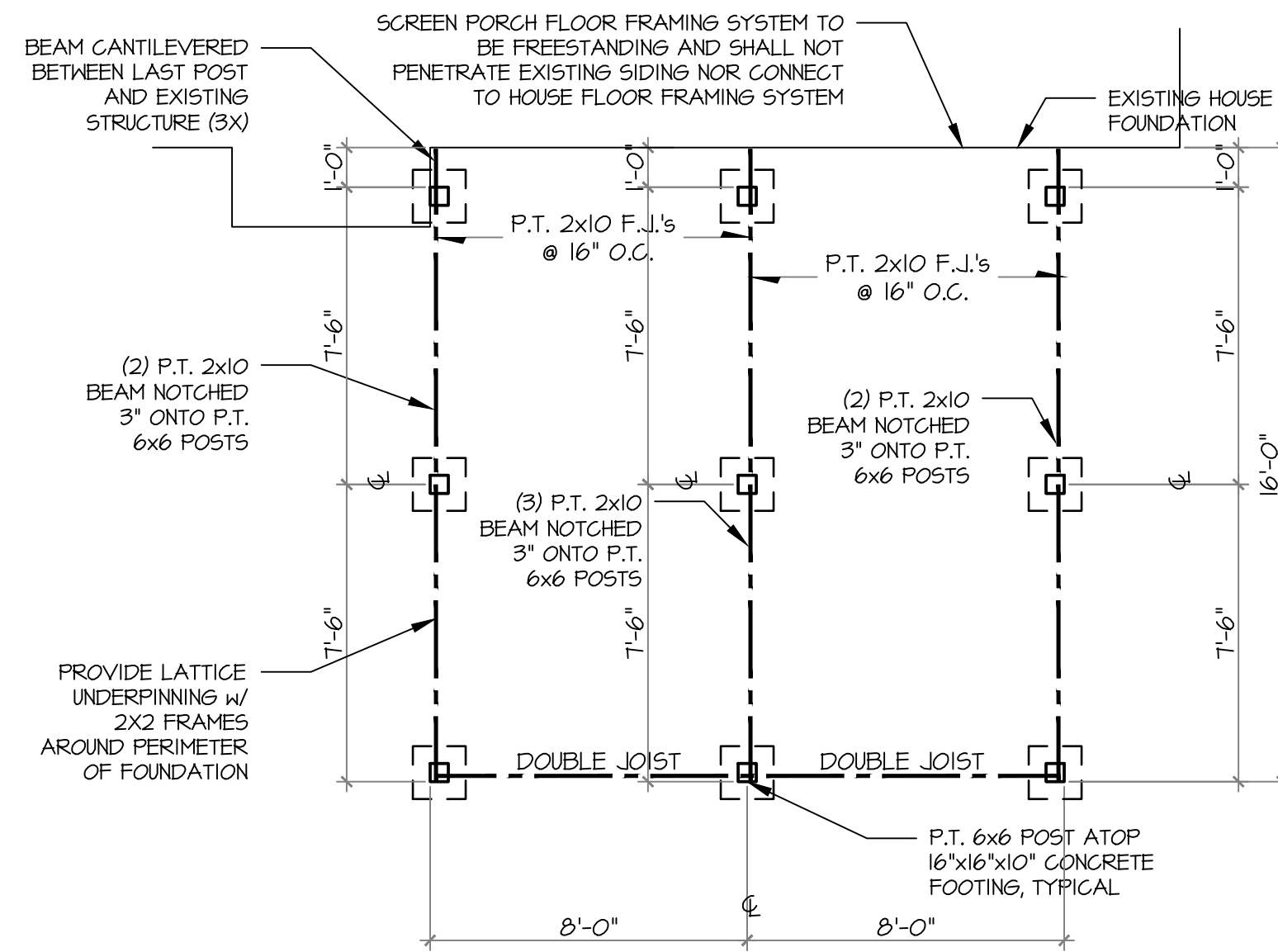
B REAR ELEVATION
1/4" = 1'-0"



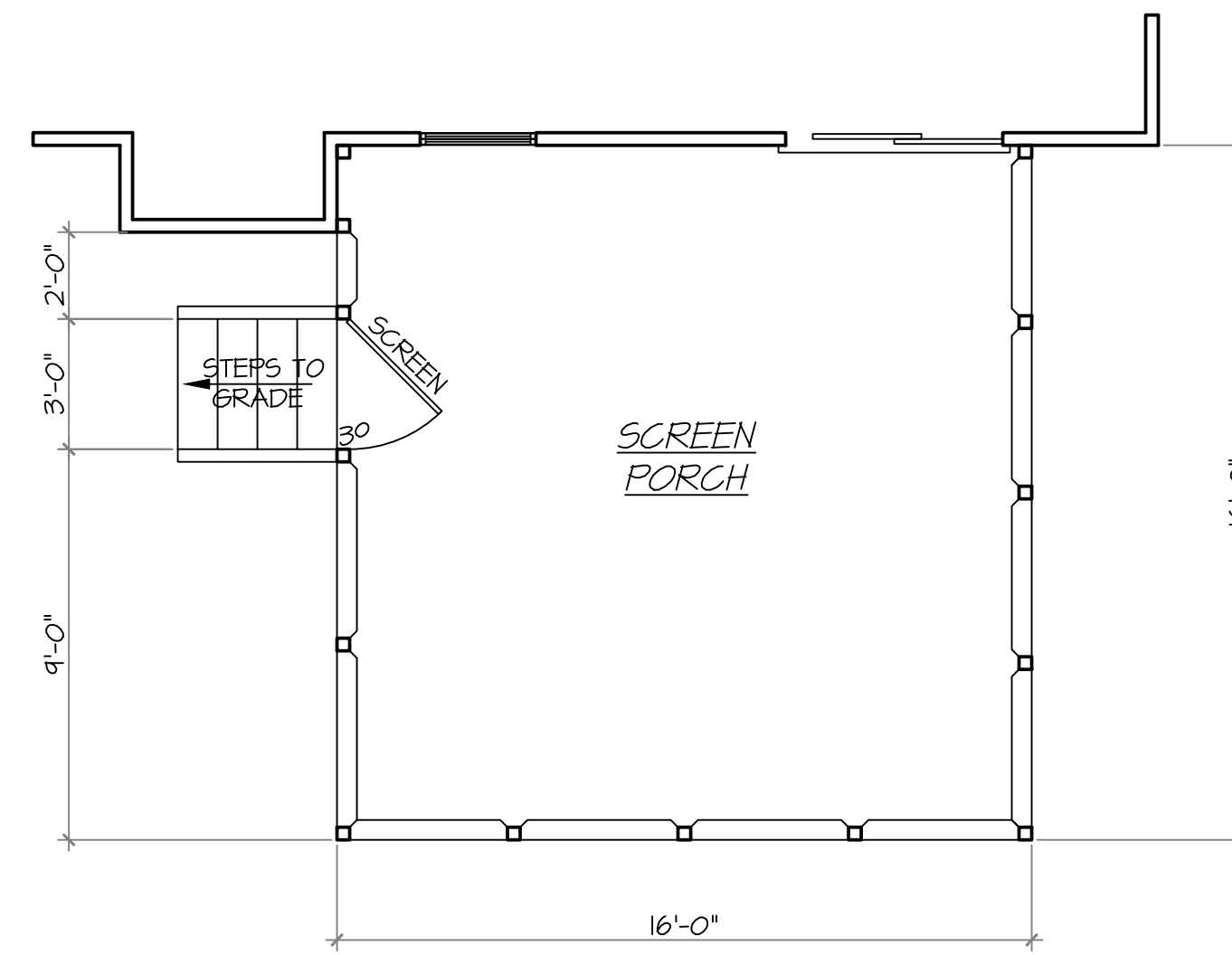
C LEFT ELEVATION
1/4" = 1'-0"



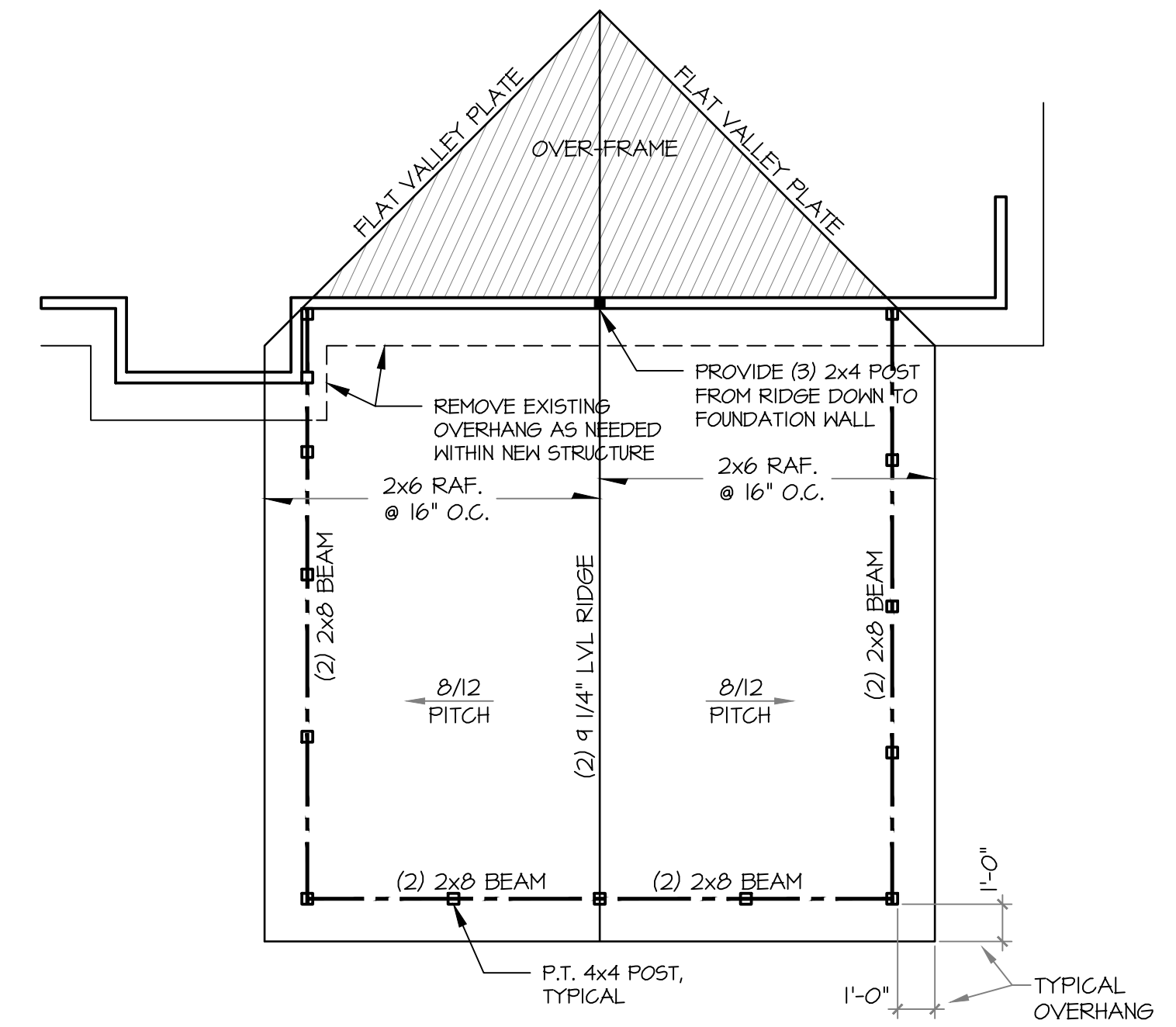
D SECTION
3/4" = 1'-0"



E FLOOR FRAMING PLAN
1/4" = 1'-0"



F ADDITION FLOOR PLAN
1/4" = 1'-0"



G ROOF FRAMING PLAN
1/4" = 1'-0"

