



STRUCTURAL DESIGN **ENCLOSED BUILDING**

**MAXIMUM 30'-0" WIDE X 20'-0" EAVE HEIGHT-
BOX EAVE FRAME AND BOW FRAME**

**14 February 2020
Revision 8**

M&A Project No. 16062S/16155S/16207S/17155S/17200S/18068S/18156S/18290S/20019S

Prepared for:

**Steel Buildings and Structures, Inc.
P.O. Box 1287
Mt. Airy, NC 27030**

Prepared by:

**Moore and Associates Engineering
and Consulting, Inc.**

**1009 East Avenue
North Augusta, SC 29841**

**401 S. Main St., Suite 200
Mt. Airy, NC 27030**





**MOORE AND ASSOCIATES
ENGINEERING AND CONSULTING, INC.**

DRAWN BY: LT
CHECKED BY: PDH

STEEL BUILDINGS AND STRUCTURES, INC.
P.O. BOX 1287,
MOUNT AIRY, NC 27030
30'-0" x 20'-0" ENCLOSED STRUCTURE

THIS DOCUMENT IS THE PROPERTY OF MOORE AND ASSOCIATES ENGINEERING AND CONSULTING. THE UNAUTHORIZED REPRODUCTION, COPYING, OR OTHERWISE USE OF THIS DOCUMENT IS STRICTLY PROHIBITED AND ANY INFRINGEMENT THEREUPON MAY BE SUBJECT TO LEGAL ACTION.

PROJECT MGR: WSM
CLIENT: SBSI

DATE: 2-14-20
SHT. 1A

SCALE: NTS
DWG. NO.: SK-3

JOB NO.: 18068S
18156S/18290S/20019S
REV.: 8

DRAWING INDEX

SHEET 1	PE SEAL COVER SHEET (1 OF 2)
SHEET 1A	PE SEAL COVER SHEET (2 OF 2)
SHEET 2	DRAWING INDEX
SHEET 3	INSTALLATION NOTES AND SPECIFICATIONS
SHEET 4	TYPICAL SIDE AND END ELEVATIONS
SHEET 5	TYPICAL RAFTER/COLUMN FRAME AND SIDE FRAMING SECTION (BOX EAVE STRUCTURE)
SHEET 5A	TYPICAL RAFTER/COLUMN FRAME AND SIDE FRAMING SECTION (BOX EAVE STRUCTURE)
SHEET 5B	TYPICAL RAFTER/COLUMN FRAME AND SIDE FRAMING SECTION (BOX EAVE STRUCTURE)
SHEET 6	COLUMN CONNECTION DETAILS (BOX EAVE STRUCTURE)
SHEET 6A	COLUMN CONNECTION DETAILS (BOX EAVE STRUCTURE)
SHEET 7	TYPICAL RAFTER/COLUMN FRAME AND SIDE FRAMING SECTION (BOW EAVE STRUCTURE)
SHEET 7A	TYPICAL RAFTER/COLUMN FRAME AND SIDE FRAMING SECTION (BOW EAVE STRUCTURE)
SHEET 7B	TYPICAL RAFTER/COLUMN FRAME AND SIDE FRAMING SECTION (BOW EAVE STRUCTURE)
SHEET 8	COLUMN CONNECTION DETAILS (BOW EAVE STRUCTURE)
SHEET 8A	COLUMN CONNECTION DETAILS (BOW EAVE STRUCTURE)
SHEET 9	BASE RAIL ANCHORAGE OPTIONS
SHEET 9A	ADDITIONAL BASE RAIL ANCHORAGE OPTION
SHEET 10	BOX EAVE RAFTER END WALL AND SIDE WALL OPENINGS
SHEET 11	BOW EAVE RAFTER END WALL AND SIDE WALL OPENINGS
SHEET 12	CONNECTION DETAILS
SHEET 13	CONNECTION DETAILS
SHEET 14	BOX EAVE RAFTER LEAN-TO OPTIONS
SHEET 15	BOW EAVE RAFTER LEAN-TO OPTIONS
SHEET 16	VERTICAL ROOF/SIDING OPTION END AND SIDE ELEVATION AND SECTION
SHEET 17	SIDE WALL AND END WALL HEADER OPTIONS
SHEET 18	OPTIONAL BASE RAIL ON GRADE APPLICATION
SHEET 19	OPTIONAL BASE RAIL ON TIMBER BEAM
SHEET 20	OPTIONAL BASE RAIL ON TIMBER BEAM WITH SOIL NAIL
SHEET 21	OPTIONAL CONCRETE STRIP FOOTING



MOORE AND ASSOCIATES ENGINEERING AND CONSULTING, INC.	DRAWN BY: LT	STEEL BUILDINGS AND STRUCTURES, INC. P.O. BOX 1287, MOUNT AIRY, NC 27030 30'-0"x20'-0" ENCLOSED STRUCTURE			
	CHECKED BY: PDH				
THIS DOCUMENT IS THE PROPERTY OF MOORE AND ASSOCIATES ENGINEERING AND CONSULTING. THE UNAUTHORIZED REPRODUCTION, COPYING, OR OTHERWISE USE OF THIS DOCUMENT IS STRICTLY PROHIBITED AND ANY INFRINGEMENT THEREUPON MAY BE SUBJECT TO LEGAL ACTION.	PROJECT MGR: WSM	DATE: 2-14-20	SCALE: NTS	JOB NO: 18068S 18156S/18290S/20019S	
	CLIENT: SBSI	SHT. 2	DWG. NO: SK-3	REV: 8	

INSTALLATION NOTES AND SPECIFICATIONS

1. DESIGN IS FOR MAXIMUM 30'-0" WIDE x 20'-0" EAVE HEIGHT ENCLOSED STRUCTURES.
2. DESIGN WAS DONE IN ACCORDANCE WITH THE 2017 FLORIDA BUILDING CODE (FBC) 6TH EDITION, 2018 NORTH CAROLINA BUILDING CODE, 2006 INTERNATIONAL BUILDING CODE (IBC), 2009 IBC, 2012 IBC, 2015 IBC AND 2018 IBC.
3. DESIGN LOADS ARE AS FOLLOWS:
 - A) DEAD LOAD = 1.5 PSF
 - B) LIVE LOAD = 12 PSF
 - C) GROUND SNOW LOAD = 30 PSF ($\leq 26'-0"$), 35 PSF ($26'-0" < W \leq 30'-0"$)
 NOTE: (UNBALANCED SNOW LOADS DUE TO DRIFTING HAVE NOT BEEN EVALUATED).
4. 3-SECOND GUST ULTIMATE WIND SPEED (V_{ULT}) = 105 TO 145 MPH (NOMINAL WIND SPEED = 82 TO 112 MPH)
5. MAXIMUM RAFTER/COLUMN AND END COLUMN SPACING = 5.0 FEET (UNLESS NOTED OTHERWISE).
6. END WALL COLUMNS (POSTS) ARE EQUIVALENT TO SIDE WALL POSTS IN SIZE AND SPACING (UNLESS NOTED OTHERWISE).
7. RISK CATEGORY I.
8. WIND EXPOSURE CATEGORY B.
9. SPECIFICATIONS APPLICABLE TO 29 GAUGE METAL PANELS FASTENED DIRECTLY TO 2 1/2" x 2 1/2" - 14 GAUGE TUBE STEEL (TS) FRAMING MEMBERS (UNLESS NOTED OTHERWISE).
10. AVERAGE FASTENER SPACING ON-CENTERS ALONG RAFTERS OR HAT CHANNELS, AND COLUMNS (INTERIOR OR END) = 8 INCHES.
11. FASTENERS CONSIST OF 1/4"x3/4" SELF-DRILLING FASTENER (SDF), USE CONTROL SEAL WASHER WITH EXTERIOR FASTENERS. SPECIFICATIONS APPLICABLE ONLY FOR MEAN ROOF HEIGHT OF 20 FEET OR LESS, AND ROOF SLOPES OF 14° (3:12 PITCH) OR LESS SPACING REQUIREMENTS FOR OTHER ROOF HEIGHTS AND/OR SLOPES MAY VARY. ROOF SLOPES LESS THAN 3:12 REQUIRE USE OF LAP JOINT SEALANT.
12. GROUND ANCHORS SHALL BE INSTALLED THROUGH BASE RAIL WITHIN 6" OF EACH COLUMN.
13. STANDARD GROUND ANCHORS (SOIL NAILS) CONSIST OF #4 REBAR W/ WELDED NUT x 36" LONG AND MAY BE USED IN SUITABLE SOILS. OPTIONAL ANCHORAGE MAY BE USED IN SUITABLE SOILS AND MUST BE USED IN UNSUITABLE SOILS AS NOTED.
14. WIND FORCES GOVERN OVER SEISMIC FORCES. SEISMIC PARAMETERS ANALYZED ARE:
 - SOIL SITE CLASS = D
 - RISK CATEGORY I
 - R = 3.25 $I_g = 1.0$
 - $S_{DS} = 2.039 g$ $V = C_s W$
 - $S_{DI} = 1.258 g$
15. WINDOW AND DOOR DESIGN PRESSURES ARE APPLICABLE TO THE STATE OF FLORIDA ONLY.



**MOORE AND ASSOCIATES
ENGINEERING AND CONSULTING, INC.**

DRAWN BY: LT

CHECKED BY: PDH

PROJECT MGR: WSM

CLIENT: SBSI

STEEL BUILDINGS AND STRUCTURES, INC.
 P.O. BOX 1287,
 MOUNT AIRY, NC 27030
 30'-0"x20'-0" ENCLOSED STRUCTURE

DATE: 2-14-20

SCALE: NTS

DWG. NO: SK-3

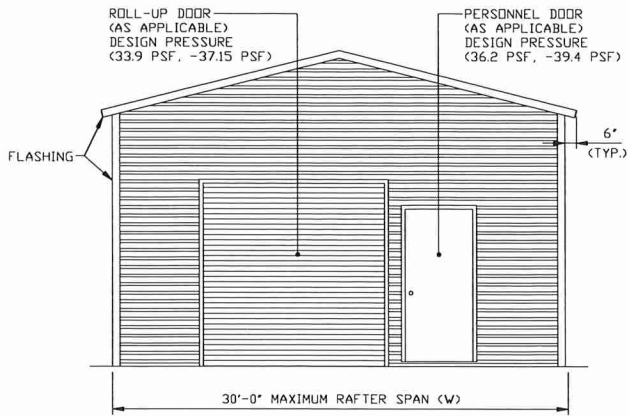
JOB NO: 18068S
18156S/18290S/20019S

SHT. 3

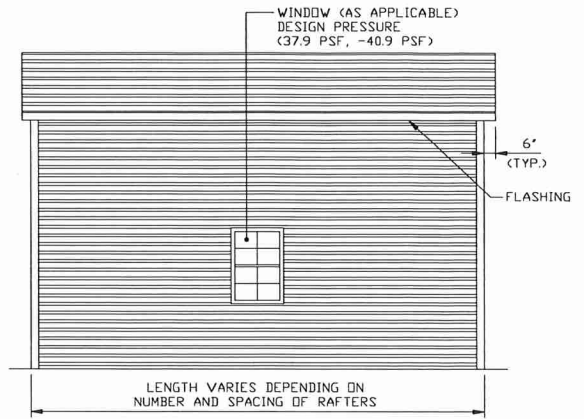
REV.: 8

THIS DOCUMENT IS THE PROPERTY OF MOORE AND ASSOCIATES ENGINEERING AND CONSULTING. THE UNAUTHORIZED REPRODUCTION, COPYING, OR OTHERWISE USE OF THIS DOCUMENT IS STRICTLY PROHIBITED AND ANY INFRINGEMENT THEREUPON MAY BE SUBJECT TO LEGAL ACTION.

BOX EAVE FRAME RAFTER STRUCTURE

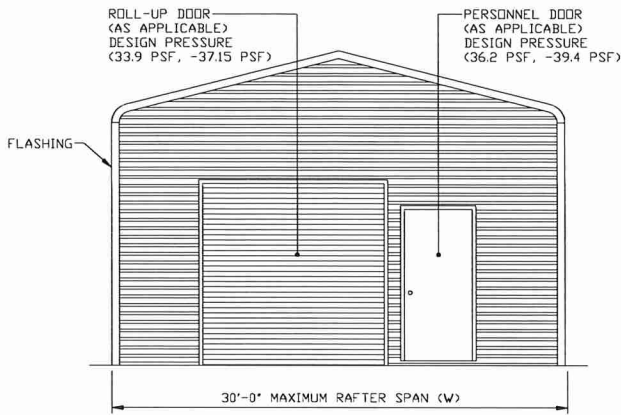


TYPICAL END ELEVATION
SCALE: NTS

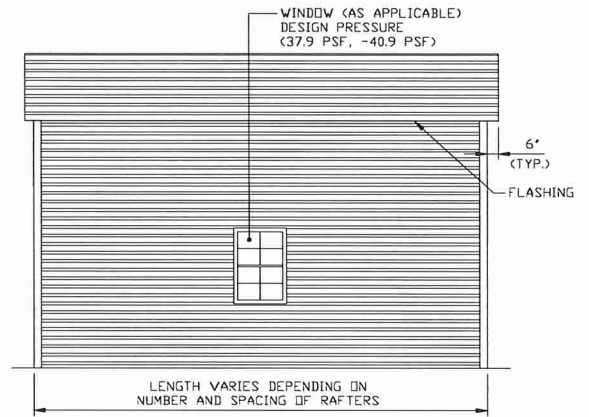


TYPICAL SIDE ELEVATION
SCALE: NTS

BOW EAVE FRAME RAFTER STRUCTURE



TYPICAL END ELEVATION
SCALE: NTS



TYPICAL SIDE ELEVATION
SCALE: NTS



**MOORE AND ASSOCIATES
ENGINEERING AND CONSULTING, INC.**

DRAWN BY: LT

CHECKED BY: PDH

PROJECT MGR: WSM

CLIENT: SBSI

STEEL BUILDINGS AND STRUCTURES, INC.
P.O. BOX 1287,
MOUNT AIRY, NC 27030
30'-0"x20'-0" ENCLOSED STRUCTURE

DATE: 2-14-20

SHT. 4

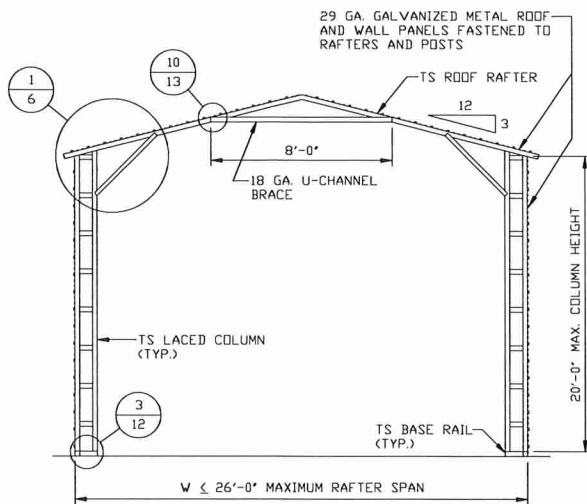
SCALE: NTS

DWG. NO: SK-3

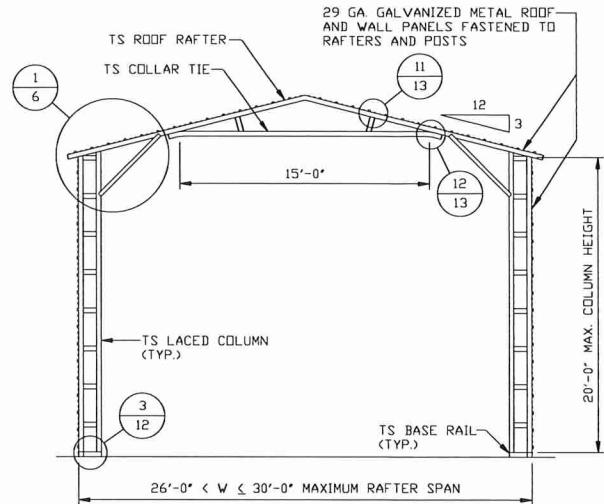
**JOB NO: 18068S
18156S/18290S/20019S**

REV: 8

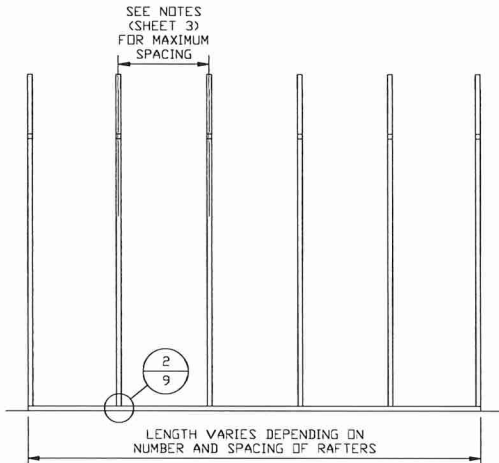
THIS DOCUMENT IS THE PROPERTY OF MOORE AND ASSOCIATES ENGINEERING AND CONSULTING. THE UNAUTHORIZED REPRODUCTION, COPYING, OR OTHERWISE USE OF THIS DOCUMENT IS STRICTLY PROHIBITED AND ANY INFRINGEMENT THEREUPON MAY BE SUBJECT TO LEGAL ACTION.



TYPICAL RAFTER/COLUMN FRAME SECTION
SCALE: NTS



TYPICAL RAFTER/COLUMN FRAME SECTION
SCALE: NTS



TYPICAL RAFTER/COLUMN SIDE FRAMING SECTION
SCALE: NTS



**MOORE AND ASSOCIATES
ENGINEERING AND CONSULTING, INC.**

DRAWN BY: LT

CHECKED BY: PDH

PROJECT MGR: WSM

CLIENT: SBSI

STEEL BUILDINGS AND STRUCTURES, INC.
P.O. BOX 1287,
MOUNT AIRY, NC 27030
30'-0"x20'-0" ENCLOSED STRUCTURE

DATE: 2-14-20

SHT. 5

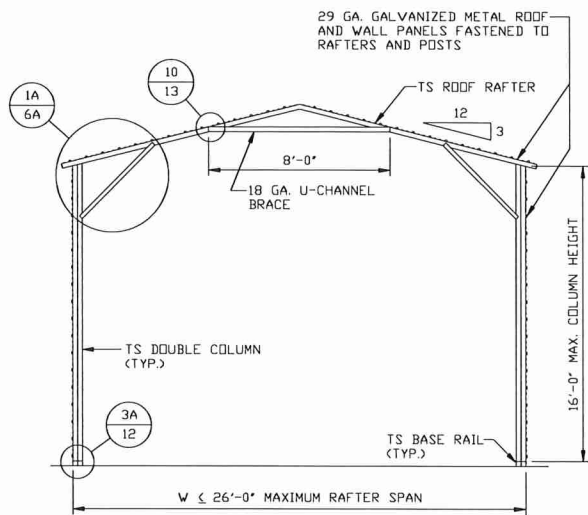
SCALE: NTS

DWG. NO: SK-3

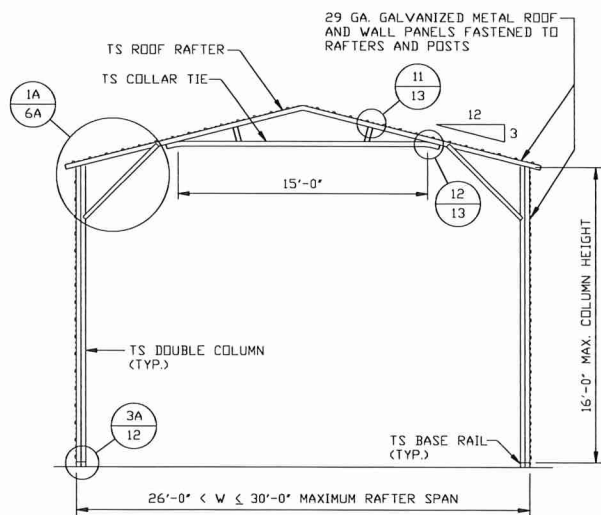
**JOB NO: 18068S
18156S/18290S/20019S**

REV: 8

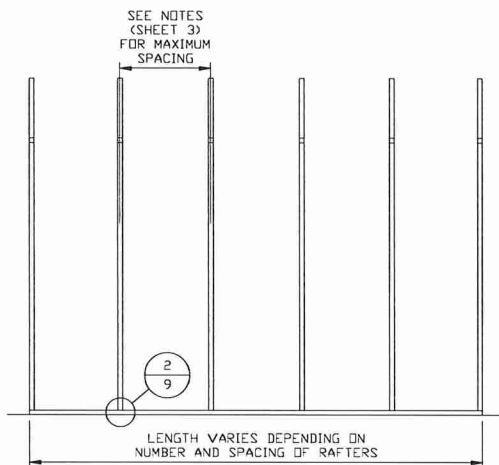
THIS DOCUMENT IS THE PROPERTY OF MOORE AND ASSOCIATES ENGINEERING AND CONSULTING. THE UNAUTHORIZED REPRODUCTION, COPYING, OR OTHERWISE USE OF THIS DOCUMENT IS STRICTLY PROHIBITED AND ANY INFRINGEMENT THEREUPON MAY BE SUBJECT TO LEGAL ACTION.



TYPICAL RAFTER/COLUMN FRAME SECTION
SCALE: NTS



TYPICAL RAFTER/COLUMN FRAME SECTION
SCALE: NTS



TYPICAL RAFTER/COLUMN SIDE FRAMING SECTION
SCALE: NTS



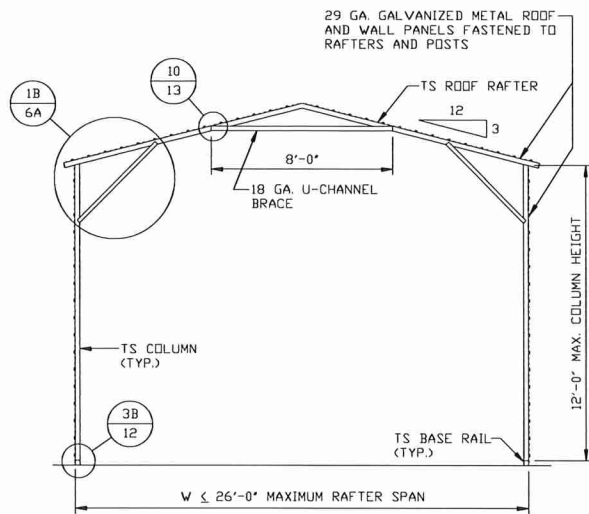
**MOORE AND ASSOCIATES
ENGINEERING AND CONSULTING, INC.**

DRAWN BY: LT
CHECKED BY: PDH

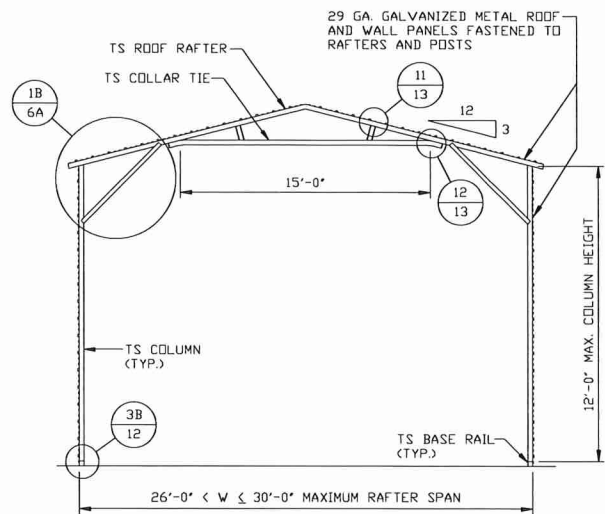
STEEL BUILDINGS AND STRUCTURES, INC.
P.O. BOX 1287,
MOUNT AIRY, NC 27030
30'-0" x 20'-0" ENCLOSED STRUCTURE

THIS DOCUMENT IS THE PROPERTY OF MOORE AND ASSOCIATES ENGINEERING AND CONSULTING. THE UNAUTHORIZED REPRODUCTION, COPYING, OR OTHERWISE USE OF THIS DOCUMENT IS STRICTLY PROHIBITED AND ANY INFRINGEMENT THEREUPON MAY BE SUBJECT TO LEGAL ACTION.

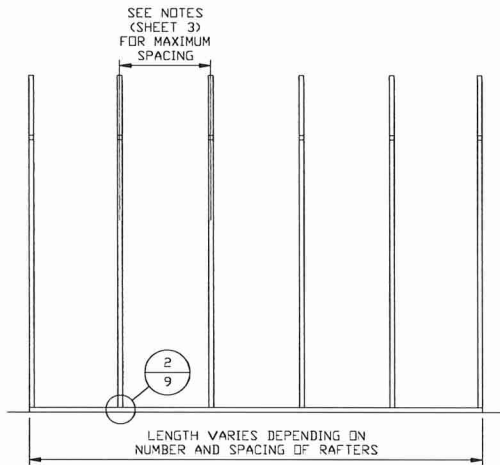
PROJECT MGR: WSM	DATE: 2-14-20	SCALE: NTS	JOB NO: 18068S
CLIENT: SBSI	SHT. 5A	DWG. NO: SK-3	18156S/18290S/20019S
			REV: 8



TYPICAL RAFTER/COLUMN FRAME SECTION
SCALE: NTS



TYPICAL RAFTER/COLUMN FRAME SECTION
SCALE: NTS



TYPICAL RAFTER/COLUMN SIDE FRAMING SECTION
SCALE: NTS



MOORE AND ASSOCIATES
ENGINEERING AND CONSULTING, INC.

DRAWN BY: LT

CHECKED BY: PDH

PROJECT MGR: WSM

CLIENT: SBSI

STEEL BUILDINGS AND STRUCTURES, INC.
P.O. BOX 1287,
MOUNT AIRY, NC 27030
30'-0"x20'-0" ENCLOSED STRUCTURE

DATE: 2-14-20

SHT. 5B

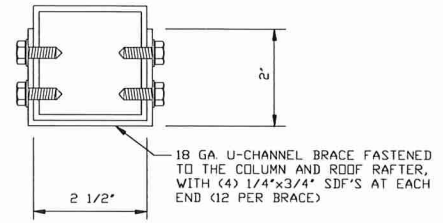
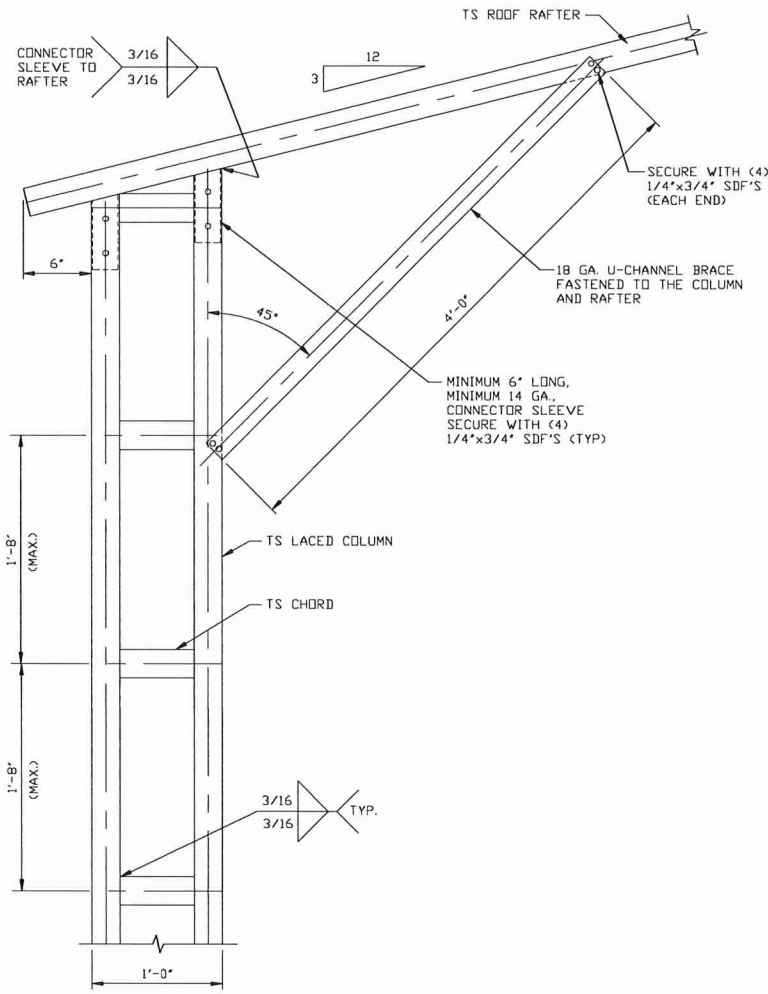
SCALE: NTS

DWG. NO: SK-3

JOB NO: 18068S
18156S/18290S/20019S

REV: 8

THIS DOCUMENT IS THE PROPERTY OF MOORE AND ASSOCIATES ENGINEERING AND CONSULTING. THE UNAUTHORIZED REPRODUCTION, COPYING, OR OTHERWISE USE OF THIS DOCUMENT IS STRICTLY PROHIBITED AND ANY INFRINGEMENT THEREUPON MAY BE SUBJECT TO LEGAL ACTION.

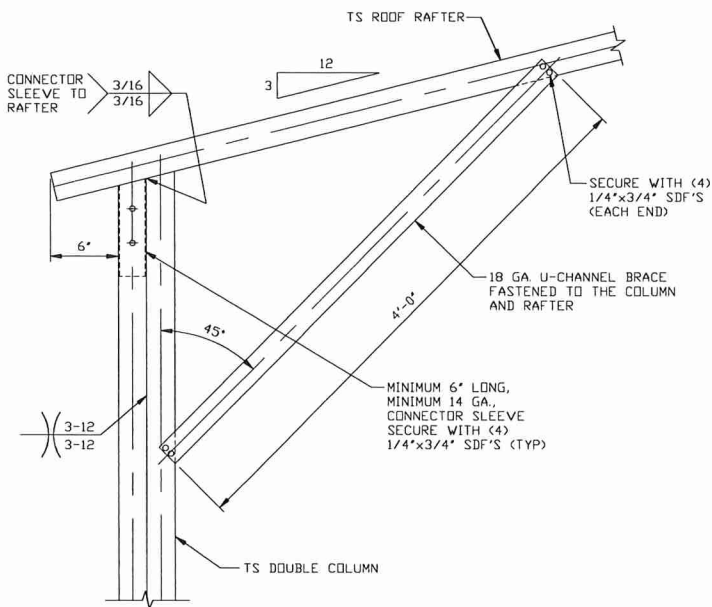


BRACE SECTION
SCALE: NTS

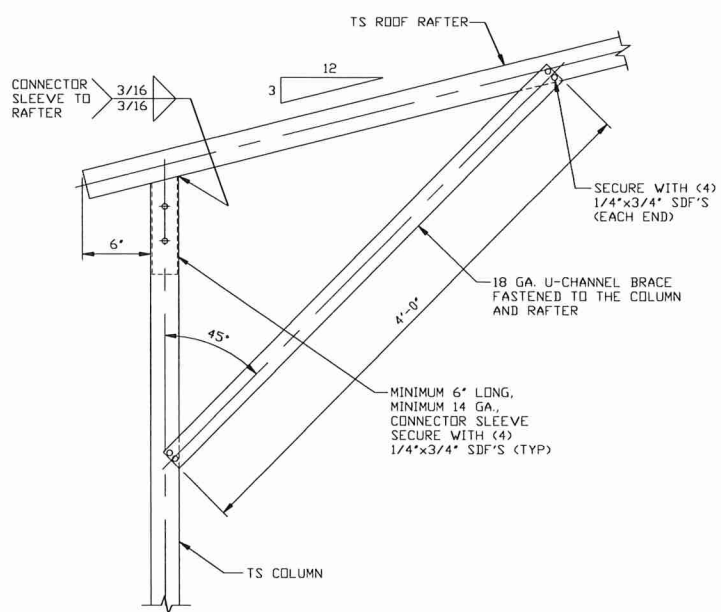
1
BOX EAVE RAFTER/CORNER POST CONNECTION DETAIL
FOR HEIGHTS 16'-0" < TO ≤ 20'-0"
SCALE: NTS



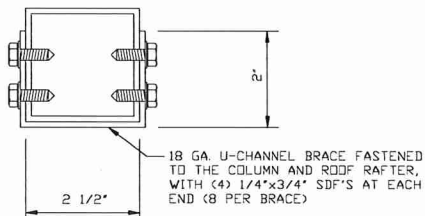
MOORE AND ASSOCIATES ENGINEERING AND CONSULTING, INC.	DRAWN BY: LT	STEEL BUILDINGS AND STRUCTURES, INC. P.O. BOX 1287, MOUNT AIRY, NC 27030			
	CHECKED BY: PDH	30'-0"x20'-0" ENCLOSED STRUCTURE			
<small>THIS DOCUMENT IS THE PROPERTY OF MOORE AND ASSOCIATES ENGINEERING AND CONSULTING. THE UNAUTHORIZED REPRODUCTION, COPYING, OR OTHERWISE USE OF THIS DOCUMENT IS STRICTLY PROHIBITED AND ANY INFRINGEMENT THEREUPON MAY BE SUBJECT TO LEGAL ACTION.</small>	PROJECT MGR: WSM	DATE: 2-14-20	SCALE: NTS	JOB NO: 18068S 18156S/18290S/20019S	REV: 8
	CLIENT: SBSI	SHT: 6	DWG. NO: SK-3		



1A BOX EAVE RAFTER/CORNER POST CONNECTION DETAIL FOR HEIGHTS 12'-0" < TO <= 16'-0" SCALE: NTS



1B BOX EAVE RAFTER/CORNER POST CONNECTION DETAIL FOR HEIGHTS <= 12'-0" SCALE: NTS



BRACE SECTION SCALE: NTS



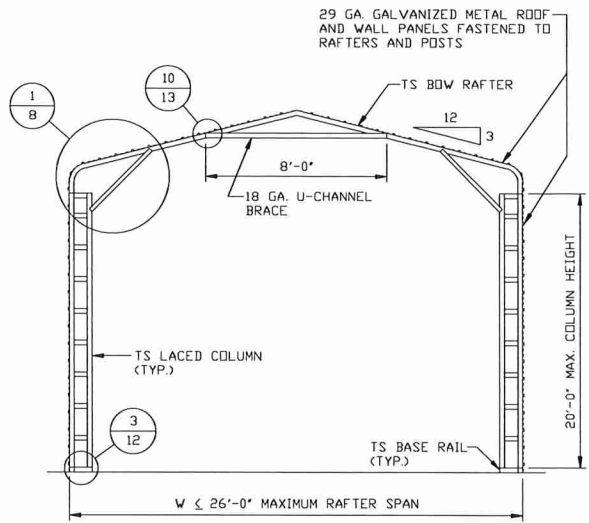
**MOORE AND ASSOCIATES
ENGINEERING AND CONSULTING, INC.**

DRAWN BY: LT
CHECKED BY: PDH
PROJECT MGR: WSM
CLIENT: SBSI

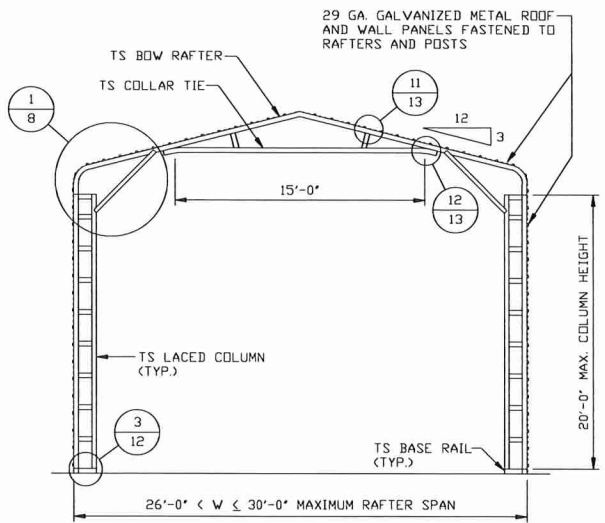
STEEL BUILDINGS AND STRUCTURES, INC.
P.O. BOX 1287,
MOUNT AIRY, NC 27030
30'-0" x 20'-0" ENCLOSED STRUCTURE

DATE: 2-14-20
SHT. 6A
SCALE: NTS
DWG. NO: SK-3
JOB NO: 18068S
18156S/18290S/20019S
REV: 8

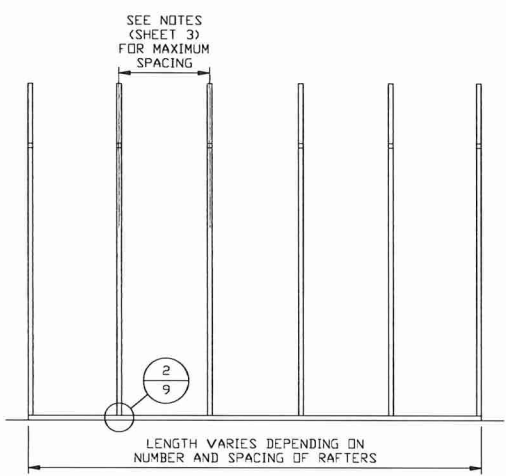
THIS DOCUMENT IS THE PROPERTY OF MOORE AND ASSOCIATES ENGINEERING AND CONSULTING. THE UNAUTHORIZED REPRODUCTION, COPYING, OR OTHERWISE USE OF THIS DOCUMENT IS STRICTLY PROHIBITED AND ANY INFRINGEMENT THEREUPON MAY BE SUBJECT TO LEGAL ACTION.



TYPICAL RAFTER/COLUMN FRAME SECTION
SCALE: NTS



TYPICAL RAFTER/COLUMN FRAME SECTION
SCALE: NTS

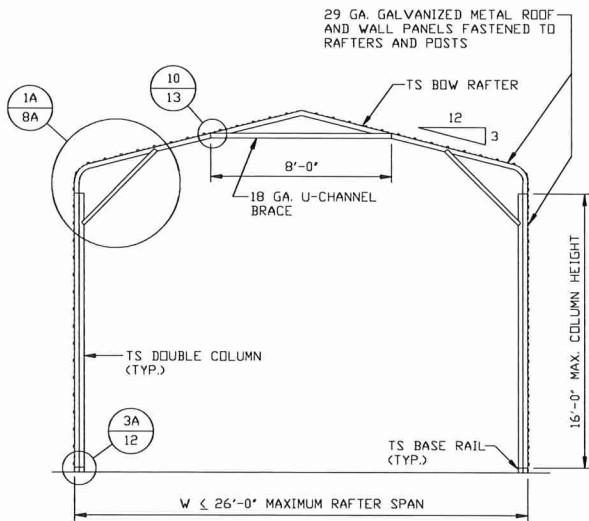


TYPICAL RAFTER/COLUMN SIDE FRAMING SECTION
SCALE: NTS

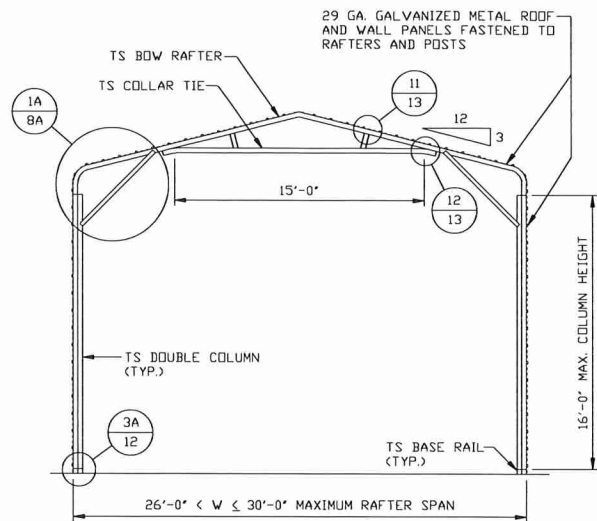


MOORE AND ASSOCIATES ENGINEERING AND CONSULTING, INC.	DRAWN BY: LT	STEEL BUILDINGS AND STRUCTURES, INC. P.O. BOX 1287, MOUNT AIRY, NC 27030 30'-0"x20'-0" ENCLOSED STRUCTURE		
	CHECKED BY: PDH	DATE: 2-14-20	SCALE: NTS	JOB NO: 18068S 18156S/18290S/20019S
PROJECT MGR: WSM	CLIENT: SBSI	SHT. 7	DWG. NO: SK-3	REV: 8

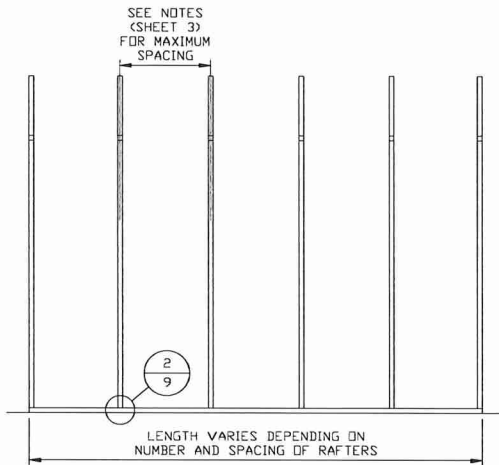
THIS DOCUMENT IS THE PROPERTY OF MOORE AND ASSOCIATES ENGINEERING AND CONSULTING. THE UNAUTHORIZED REPRODUCTION, COPYING, OR OTHERWISE USE OF THIS DOCUMENT IS STRICTLY PROHIBITED AND ANY INFRINGEMENT THEREUPON MAY BE SUBJECT TO LEGAL ACTION.



TYPICAL RAFTER/COLUMN FRAME SECTION
SCALE: NTS



TYPICAL RAFTER/COLUMN FRAME SECTION
SCALE: NTS



TYPICAL RAFTER/COLUMN SIDE FRAMING SECTION
SCALE: NTS



**MOORE AND ASSOCIATES
ENGINEERING AND CONSULTING, INC.**

DRAWN BY: LT

CHECKED BY: PDH

PROJECT MGR: WSM

CLIENT: SBSI

STEEL BUILDINGS AND STRUCTURES, INC.
P.O. BOX 1287,
MOUNT AIRY, NC 27030
30'-0" x 20'-0" ENCLOSED STRUCTURE

DATE: 2-14-20

SHT. 7A

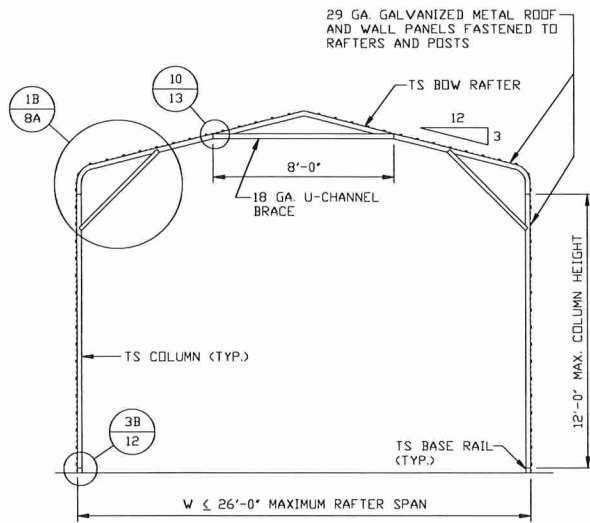
SCALE: NTS

DWG. NO: SK-3

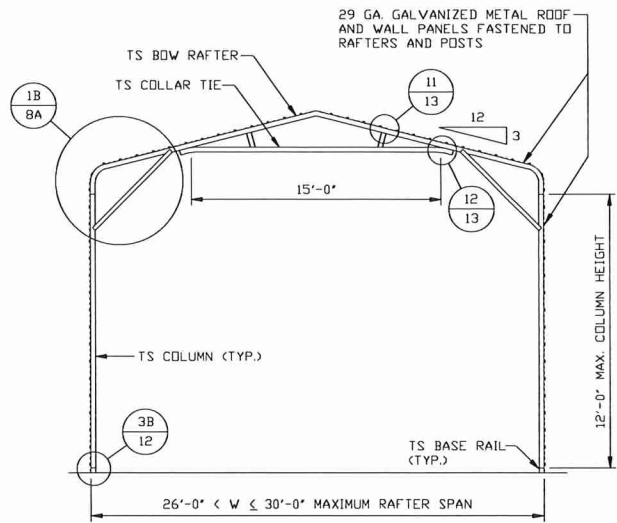
**JOB NO: 18068S
18156S/18290S/20019S**

REV: 8

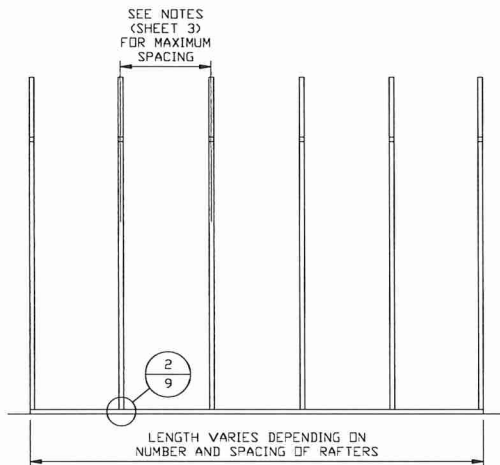
THIS DOCUMENT IS THE PROPERTY OF MOORE AND ASSOCIATES ENGINEERING AND CONSULTING. THE UNAUTHORIZED REPRODUCTION, COPYING, OR OTHERWISE USE OF THIS DOCUMENT IS STRICTLY PROHIBITED AND ANY INFRINGEMENT THEREUPON MAY BE SUBJECT TO LEGAL ACTION.



TYPICAL RAFTER/COLUMN FRAME SECTION
SCALE: NTS



TYPICAL RAFTER/COLUMN FRAME SECTION
SCALE: NTS



TYPICAL RAFTER/COLUMN SIDE FRAMING SECTION
SCALE: NTS



**MOORE AND ASSOCIATES
ENGINEERING AND CONSULTING, INC.**

DRAWN BY: LT

CHECKED BY: PDH

PROJECT MGR: WSM

CLIENT: SBSI

STEEL BUILDINGS AND STRUCTURES, INC.
P.O. BOX 1287,
MOUNT AIRY, NC 27030
30'-0" x 20'-0" ENCLOSED STRUCTURE

DATE: 2-14-20

SHT. 7B

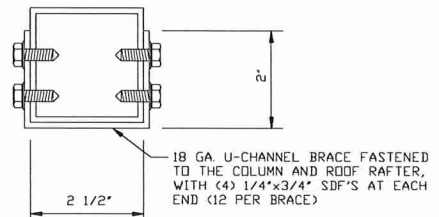
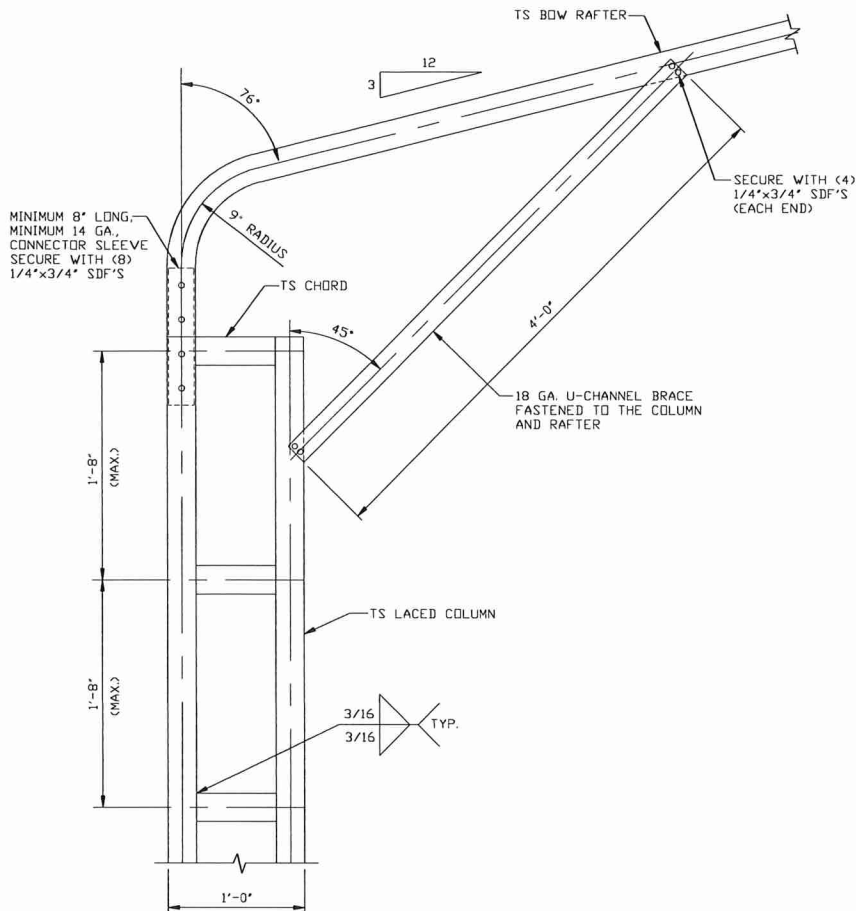
SCALE: NTS

DWG. NO: SK-3

JOB NO: 18068S
18156S/18290S/20019S

REV: 8

THIS DOCUMENT IS THE PROPERTY OF MOORE AND ASSOCIATES ENGINEERING AND CONSULTING. THE UNAUTHORIZED REPRODUCTION, COPYING, OR OTHERWISE USE OF THIS DOCUMENT IS STRICTLY PROHIBITED AND ANY INFRINGEMENT THEREUPON MAY BE SUBJECT TO LEGAL ACTION.



BRACE SECTION
SCALE: NTS

**BOX EAVE RAFTER/CORNER POST
CONNECTION DETAIL
FOR HEIGHTS 16'-0" < TO ≤ 20'-0"**

1

SCALE: NTS



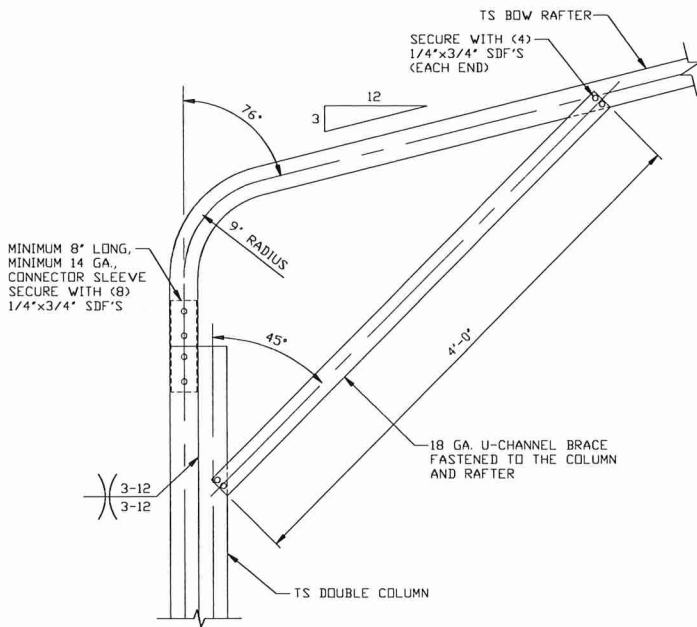
**MOORE AND ASSOCIATES
ENGINEERING AND CONSULTING, INC.**

DRAWN BY: LT
CHECKED BY: PDH

STEEL BUILDINGS AND STRUCTURES, INC.
P.O. BOX 1287,
MOUNT AIRY, NC 27030
30'-0" x 20'-0" ENCLOSED STRUCTURE

THIS DOCUMENT IS THE PROPERTY OF MOORE AND ASSOCIATES ENGINEERING AND CONSULTING. THE UNAUTHORIZED REPRODUCTION, COPYING, OR OTHERWISE USE OF THIS DOCUMENT IS STRICTLY PROHIBITED AND ANY INFRINGEMENT THEREUPON MAY BE SUBJECT TO LEGAL ACTION.

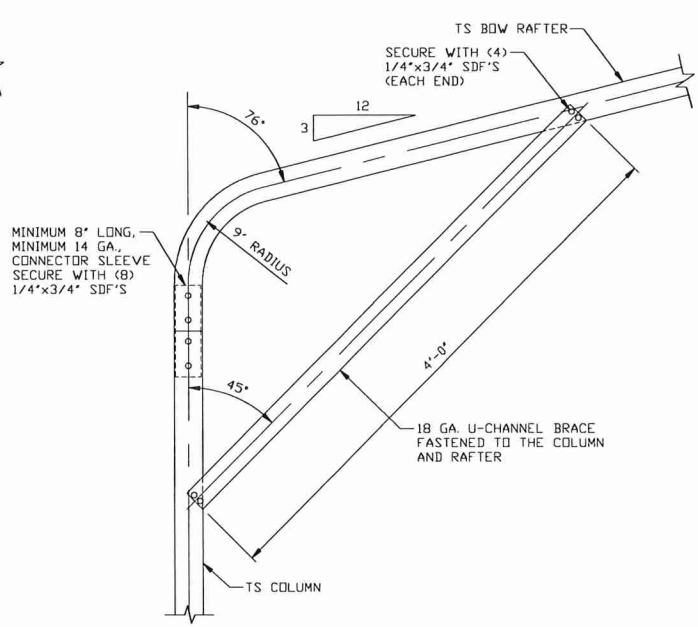
PROJECT MGR: WSM	DATE: 2-14-20	SCALE: NTS	JOB NO: 18068S
CLIENT: SBSI	SHT: 8	DWG. NO: SK-3	REV: 8



BOX EAVE RAFTER/CORNER POST CONNECTION DETAIL FOR HEIGHTS 12'-0" < TO ≤ 16'-0"

1A

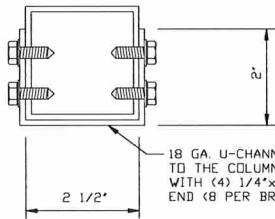
SCALE: NTS



BOX EAVE RAFTER/CORNER POST CONNECTION DETAIL FOR HEIGHTS ≤ 12'-0"

1B

SCALE: NTS



BRACE SECTION

SCALE: NTS



MOORE AND ASSOCIATES ENGINEERING AND CONSULTING, INC.

DRAWN BY: LT

CHECKED BY: PDH

PROJECT MGR: WSM

CLIENT: SBSI

STEEL BUILDINGS AND STRUCTURES, INC.
P.O. BOX 1287,
MOUNT AIRY, NC 27030
30'-0" x 20'-0" ENCLOSED STRUCTURE

DATE: 2-14-20

SHT. 8A

SCALE: NTS

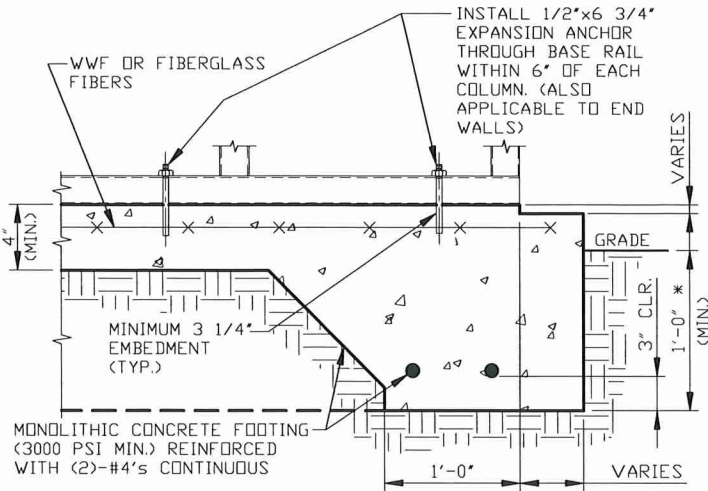
DWG. NO: SK-3

JOB NO: 18068S
18156S/18290S/20019S

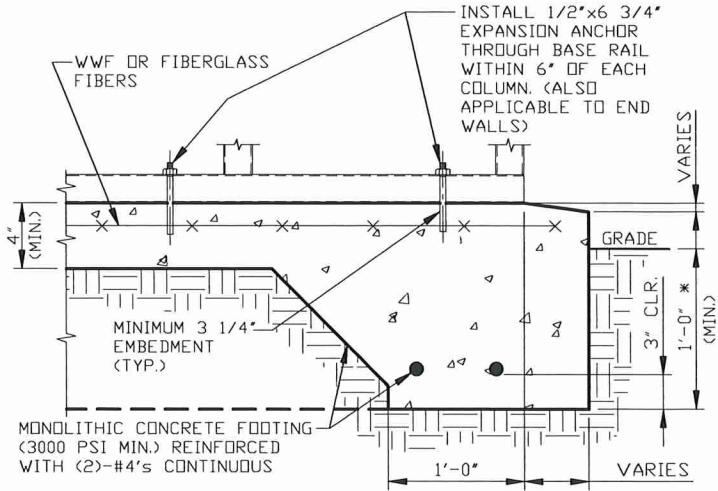
REV: 8

THIS DOCUMENT IS THE PROPERTY OF MOORE AND ASSOCIATES ENGINEERING AND CONSULTING. THE UNAUTHORIZED REPRODUCTION, COPYING, OR OTHERWISE USE OF THIS DOCUMENT IS STRICTLY PROHIBITED AND ANY INFRINGEMENT THEREUPON MAY BE SUBJECT TO LEGAL ACTION.

BASE RAIL ANCHORAGE OPTIONS



2 **CONCRETE MONOLITHIC SLAB
BASE RAIL ANCHORAGE**
SCALE: NTS
MINIMUM ANCHOR EDGE DISTANCE IS 4".
* COORDINATE WITH LOCAL CODES/ORD.



2A **CONCRETE SLAB BASE
RAIL ANCHORAGE**
SCALE: NTS
MINIMUM ANCHOR EDGE DISTANCE IS 4".
* COORDINATE WITH LOCAL CODES/ORD.

GENERAL NOTES

NOTE: CONCRETE MONOLITHIC SLAB DESIGN BASED ON MINIMUM SOIL BEARING CAPACITY OF 1,500 PSF.

CONCRETE:

CONCRETE SHALL HAVE A MINIMUM SPECIFIED COMPRESSIVE STRENGTH OF 3,000 PSI AT 28 DAYS.

COVER OVER REINFORCING STEEL:

FOR FOUNDATIONS, MINIMUM CONCRETE COVER OVER REINFORCING BARS SHALL BE PER ACI-318.

3" IN FOUNDATIONS WHERE THE CONCRETE IS CAST AGAINST AND PERMANENTLY IN CONTACT WITH THE EARTH OR EXPOSED TO THE EARTH OR WEATHER, AND 1 1/2" ELSEWHERE.

REINFORCING STEEL:

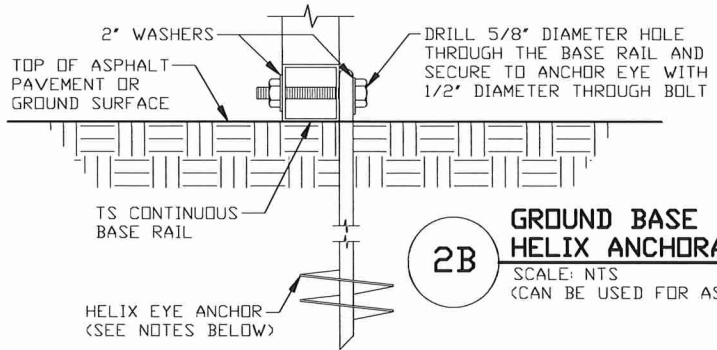
THE TURNDOWN REINFORCING STEEL SHALL BE ASTM A615 GRADE 60. THE SLAB REINFORCEMENT SHALL BE WELDED WIRE FABRIC MEETING ASTM A185 OR FIBERGLASS FIBER REINFORCEMENT.

REINFORCEMENT MAY BE BENT IN THE SHOP OR THE FIELD PROVIDED:

1. REINFORCEMENT IS BENT COLD.
2. THE DIAMETER OF THE BEND, MEASURED ON THE INSIDE OF THE BAR, IS NOT LESS THAN SIX-BAR DIAMETERS.
3. REINFORCEMENT PARTIALLY EMBEDDED IN CONCRETE SHALL NOT BE FIELD BENT.

HELIX ANCHOR NOTES:

1. FOR VERY DENSE AND/OR CEMENTED SANDS, COARSE GRAVEL AND COBBLES, CALICHE, PRELOADED SILTS AND CLAYS, USE MINIMUM (2) 4" HELICES WITH MINIMUM 30" EMBEDMENT OR SINGLE 6" HELIX WITH MINIMUM 50" EMBEDMENT
2. FOR CORAL USE MINIMUM (2) 4" HELICES WITH MINIMUM 30" EMBEDMENT OR SINGLE 6" HELIX WITH MINIMUM 50" EMBEDMENT.
3. FOR MEDIUM DENSE COARSE SANDS, SANDY GRAVELS, VERY STIFF SILTS, AND CLAYS USE MINIMUM (2) 4" HELICES WITH MINIMUM 30 INCH EMBEDMENT OR SINGLE 6" HELIX WITH MINIMUM 50" EMBEDMENT.
4. FOR LOOSE TO MEDIUM DENSE SANDS, FIRM TO STIFF CLAYS AND SILTS ALLUVIAL FILL, USE MINIMUM (2) 6" HELICES WITH MINIMUM 50" EMBEDMENT.
5. FOR VERY LOSE TO MEDIUM DENSE SANDS, FIRM TO STIFFER CLAYS AND SILTS, ALLUVIAL FILL, USE MINIMUM (2) 8" HELICES WITH MINIMUM 60" EMBEDMENT.



2B **GROUND BASE
HELIX ANCHORAGE**
SCALE: NTS
(CAN BE USED FOR ASPHALT)



**MOORE AND ASSOCIATES
ENGINEERING AND CONSULTING, INC.**

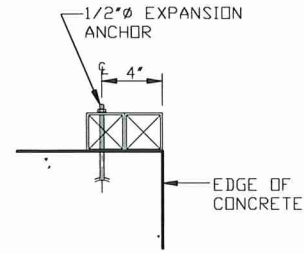
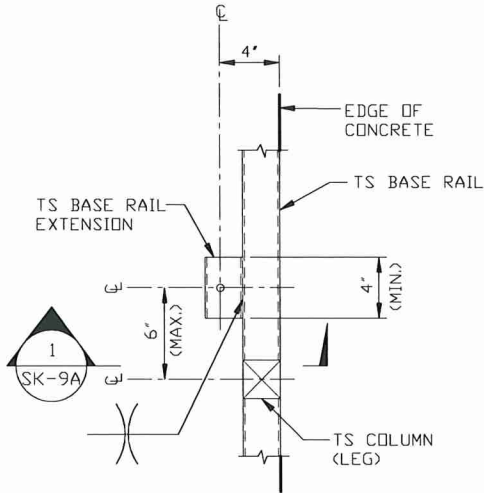
DRAWN BY: LT
CHECKED BY: PDH
PROJECT MGR: WSM
CLIENT: SBSI

STEEL BUILDINGS AND STRUCTURES, INC.
P.O. BOX 1287,
MOUNT AIRY, NC 27030
30'-0" x 20'-0" ENCLOSED STRUCTURE

DATE: 2-14-20	SCALE: NTS	JOB NO: 18068S	18156S/18290S/20019S
SHT. 9	DWG. NO. SK-3	REV. 8	

THIS DOCUMENT IS THE PROPERTY OF MOORE AND ASSOCIATES ENGINEERING AND CONSULTING. THE UNAUTHORIZED REPRODUCTION, COPYING, OR OTHERWISE USE OF THIS DOCUMENT IS STRICTLY PROHIBITED AND ANY INFRINGEMENT THEREUPON MAY BE SUBJECT TO LEGAL ACTION.

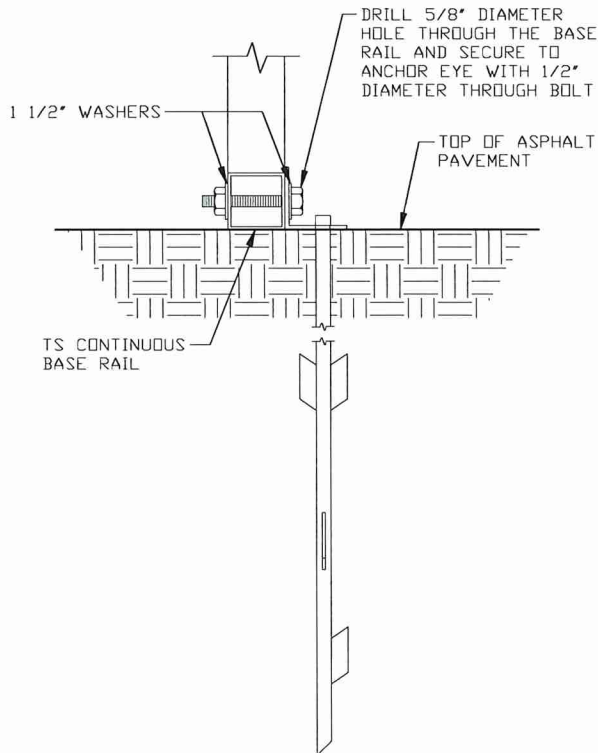
ADDITIONAL BASE RAIL ANCHORAGE OPTION



SECTION 1
SCALE: NTS
SK-9A

TYPICAL ANCHOR DETAIL WHEN BASE RAIL IS NEAR EDGE OF CONCRETE

SCALE: NTS



2C ASPHALT BASE ANCHORAGE
SCALE: NTS



**MOORE AND ASSOCIATES
ENGINEERING AND CONSULTING, INC.**

DRAWN BY: LT

CHECKED BY: PDH

PROJECT MGR: WSM

CLIENT: SBSI

STEEL BUILDINGS AND STRUCTURES, INC.
P.O. BOX 1287,
MOUNT AIRY, NC 27030
30'-0" x 20'-0" ENCLOSED STRUCTURE

DATE: 2-14-20

SHT. 9A

SCALE: NTS

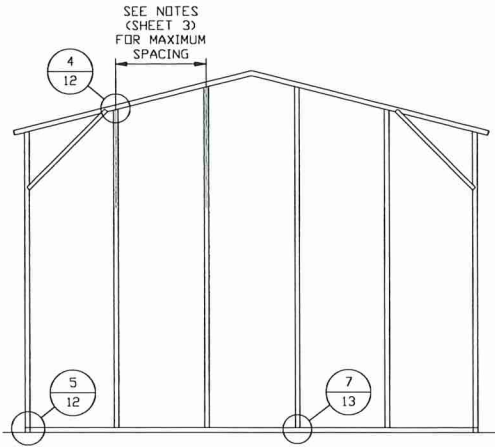
DWG. NO: SK-3

**JOB NO: 18068S
18156S/18290S/20019S**

REV: 8

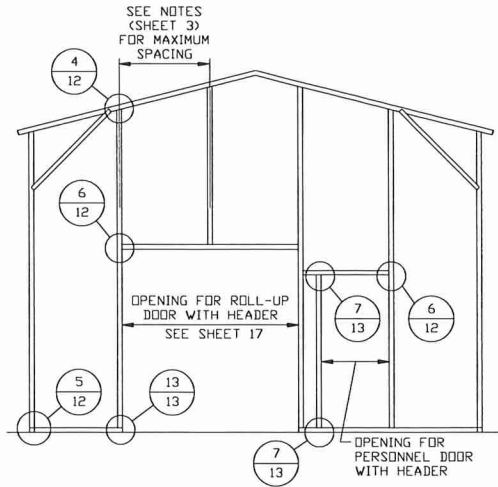
THIS DOCUMENT IS THE PROPERTY OF MOORE AND ASSOCIATES ENGINEERING AND CONSULTING. THE UNAUTHORIZED REPRODUCTION, COPYING, OR OTHERWISE USE OF THIS DOCUMENT IS STRICTLY PROHIBITED AND ANY INFRINGEMENT THEREUPON MAY BE SUBJECT TO LEGAL ACTION.

BOX EAVE RAFTER END WALL AND SIDE WALL OPENINGS



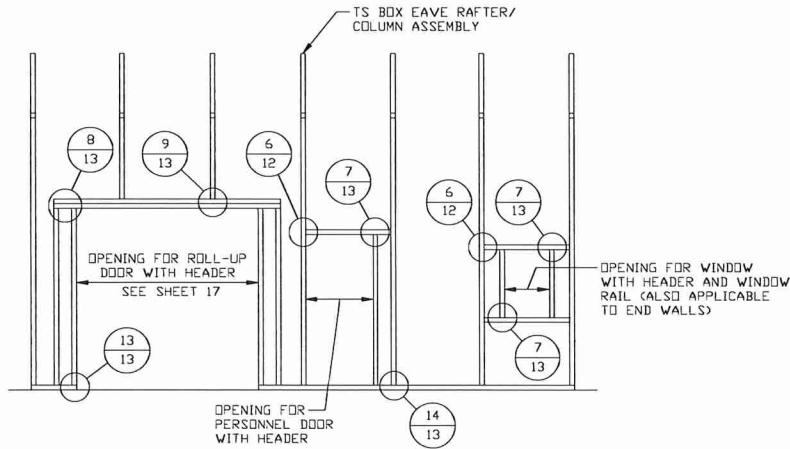
**TYPICAL BOX EAVE RAFTER
END WALL FRAMING SECTION**

SCALE: NTS



**TYPICAL BOX EAVE RAFTER END
WALL OPENINGS FRAMING SECTION**

SCALE: NTS



**TYPICAL BOX EAVE RAFTER
SIDE WALL OPENINGS FRAMING SECTION**

SCALE: NTS



**MOORE AND ASSOCIATES
ENGINEERING AND CONSULTING, INC.**

DRAWN BY: LT

CHECKED BY: PDH

PROJECT MGR: WSM

CLIENT: SBSI

STEEL BUILDINGS AND STRUCTURES, INC.
P.O. BOX 1287,
MOUNT AIRY, NC 27030
30'-0" x 20'-0" ENCLOSED STRUCTURE

DATE: 2-14-20

SHT. 10

SCALE: NTS

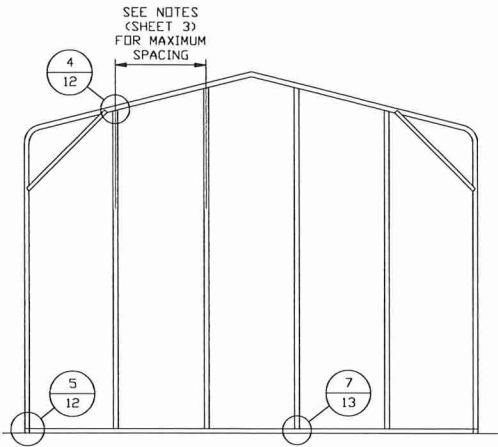
DWG. NO: SK-3

**JOB NO: 18068S
18156S/18290S/20019S**

REV: 8

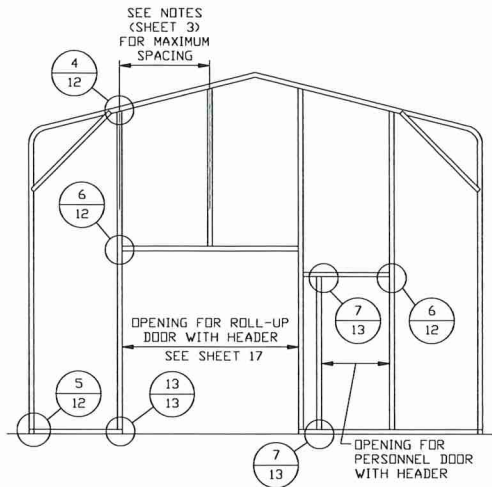
THIS DOCUMENT IS THE PROPERTY OF MOORE AND ASSOCIATES ENGINEERING AND CONSULTING. THE UNAUTHORIZED REPRODUCTION, COPYING, OR OTHERWISE USE OF THIS DOCUMENT IS STRICTLY PROHIBITED AND ANY INFRINGEMENT THEREUPON MAY BE SUBJECT TO LEGAL ACTION.

BOW EAVE RAFTER END WALL AND SIDE WALL OPENINGS



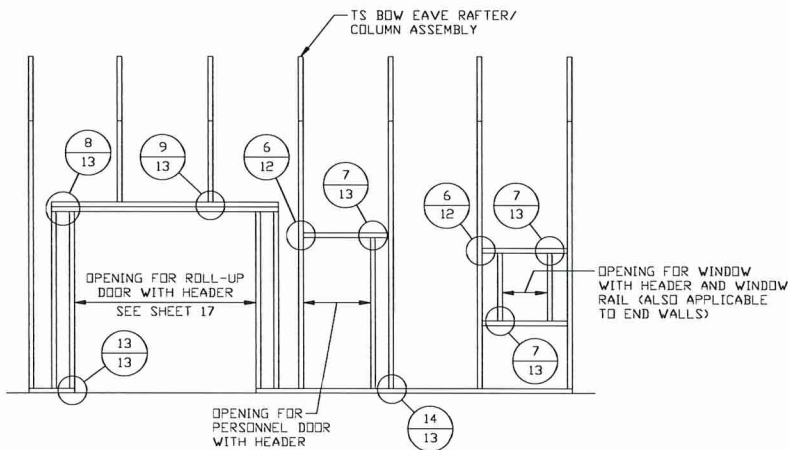
**TYPICAL BOX EAVE RAFTER
END WALL FRAMING SECTION**

SCALE: NTS



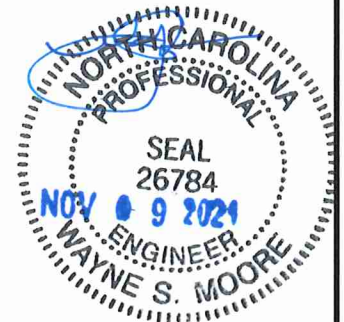
**TYPICAL BOX EAVE RAFTER END
WALL OPENINGS FRAMING SECTION**

SCALE: NTS



**TYPICAL BOX EAVE RAFTER
SIDE WALL OPENINGS FRAMING SECTION**

SCALE: NTS



**MOORE AND ASSOCIATES
ENGINEERING AND CONSULTING, INC.**

DRAWN BY: LT

CHECKED BY: PDH

PROJECT MGR: WSM

CLIENT: SBSI

STEEL BUILDINGS AND STRUCTURES, INC.
P.O. BOX 1287,
MOUNT AIRY, NC 27030
30'-0"X20'-0" ENCLOSED STRUCTURE

DATE: 2-14-20

SHT. 11

SCALE: NTS

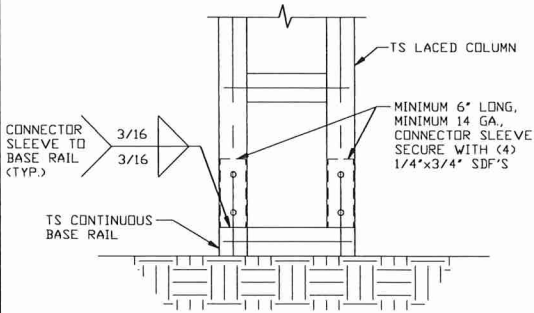
DWG. NO: SK-3

**JOB NO: 18068S
18156S/18290S/20019S**

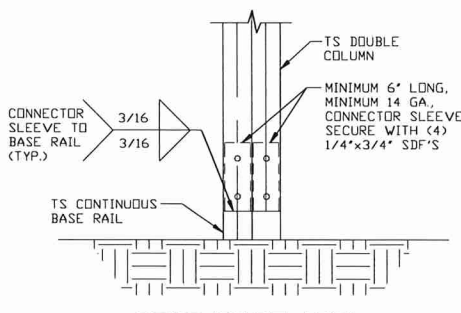
REV: 8

THIS DOCUMENT IS THE PROPERTY OF MOORE AND ASSOCIATES ENGINEERING AND CONSULTING. THE UNAUTHORIZED REPRODUCTION, COPYING, OR OTHERWISE USE OF THIS DOCUMENT IS STRICTLY PROHIBITED AND ANY INFRINGEMENT THEREUPON MAY BE SUBJECT TO LEGAL ACTION.

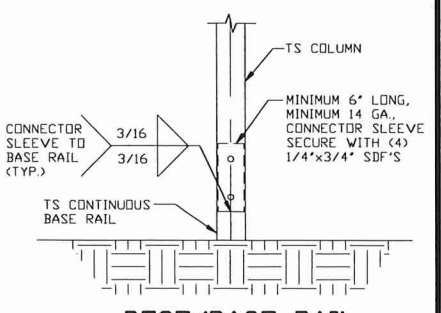
CONNECTION DETAILS



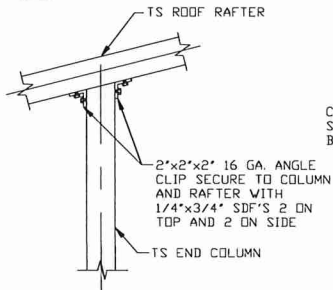
3 POST/BASE RAIL CONNECTION DETAIL
SCALE: NTS



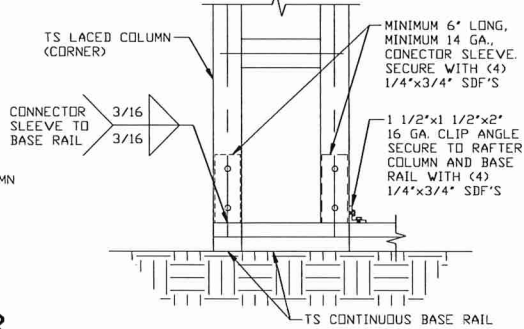
3A POST/BASE RAIL CONNECTION DETAIL
SCALE: NTS



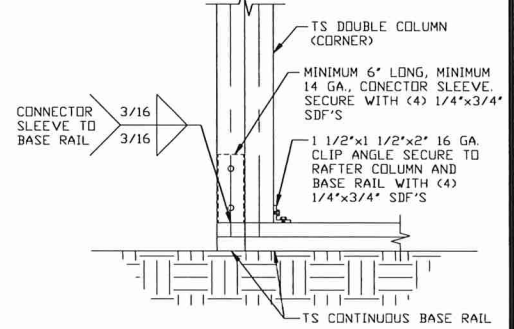
3B POST/BASE RAIL CONNECTION DETAIL
SCALE: NTS



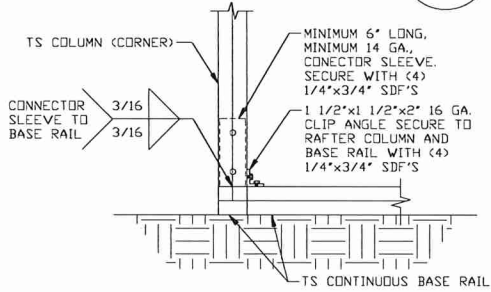
4 END COLUMN/RAFTER CONNECTION DETAIL
SCALE: NTS



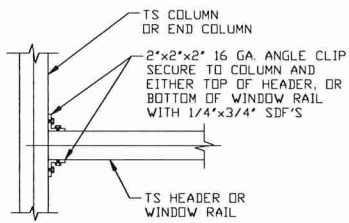
5 END COLUMN/BASE RAIL CONNECTION DETAIL
SCALE: NTS



5A END COLUMN/BASE RAIL CONNECTION DETAIL
SCALE: NTS



5B END COLUMN/BASE RAIL CONNECTION DETAIL
SCALE: NTS



6 COLUMN OR WINDOW RAIL/WALL GIRT TO POST CONNECTION DETAIL
SCALE: NTS



**MOORE AND ASSOCIATES
ENGINEERING AND CONSULTING, INC.**

DRAWN BY: LT
CHECKED BY: PDH

STEEL BUILDINGS AND STRUCTURES, INC.
P.O. BOX 1287,
MOUNT AIRY, NC 27030
30'-0"x20'-0" ENCLOSED STRUCTURE

THIS DOCUMENT IS THE PROPERTY OF MOORE AND ASSOCIATES ENGINEERING AND CONSULTING. THE UNAUTHORIZED REPRODUCTION, COPYING, OR OTHERWISE USE OF THIS DOCUMENT IS STRICTLY PROHIBITED AND ANY INFRINGEMENT THEREUPON MAY BE SUBJECT TO LEGAL ACTION.

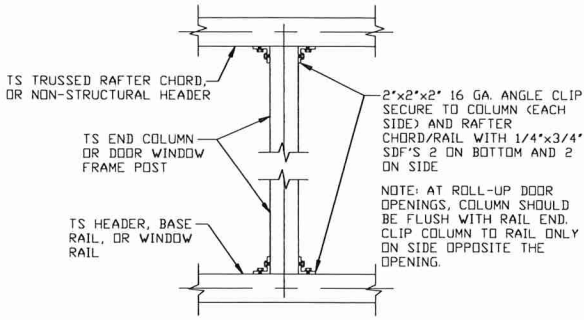
PROJECT MGR: WSM
CLIENT: SBSI

DATE: 2-14-20
SHT. 12

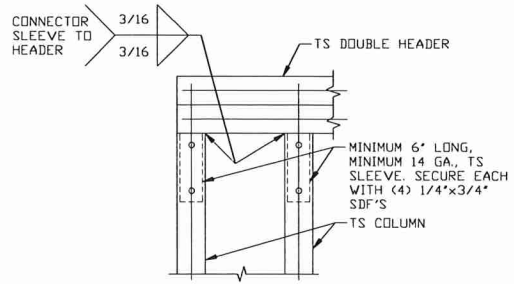
SCALE: NTS
DWG. NO: SK-3

JOB NO: 18068S
18156S/18290S/20019S
REV: 8

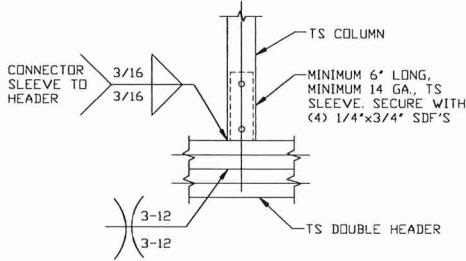
CONNECTION DETAILS



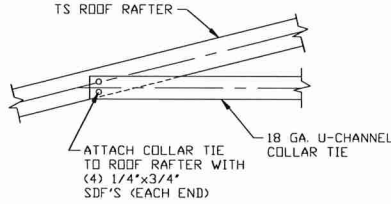
7 COLUMN TO HEADER, BASE RAIL, OR WINDOW RAIL CONNECTION DETAIL
SCALE: NTS



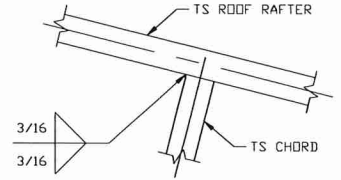
8 DOUBLE HEADER/COLUMN CONNECTION DETAIL
SCALE: NTS



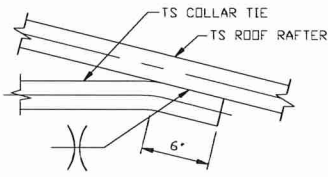
9 COLUMN/DOUBLE HEADER CONNECTION DETAIL
SCALE: NTS



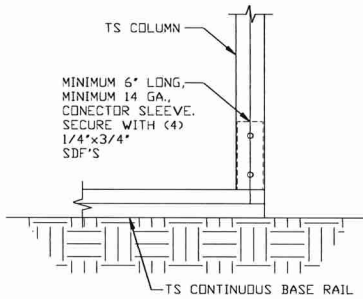
10 COLLAR TIE CONNECTION DETAIL
SCALE: NTS



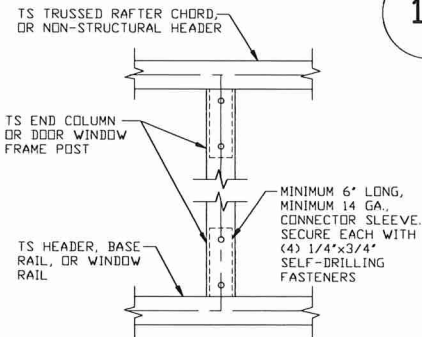
11 RAFTER TO CHORD CONNECTION DETAIL
SCALE: NTS



12 COLLAR TIE CONNECTION DETAIL
SCALE: NTS



13 COLUMN/BASE RAIL CONNECTION DETAIL
SCALE: NTS



14 COLUMN TO HEADER OR BASE RAIL CONNECTION DETAIL
SCALE: NTS



**MOORE AND ASSOCIATES
ENGINEERING AND CONSULTING, INC.**

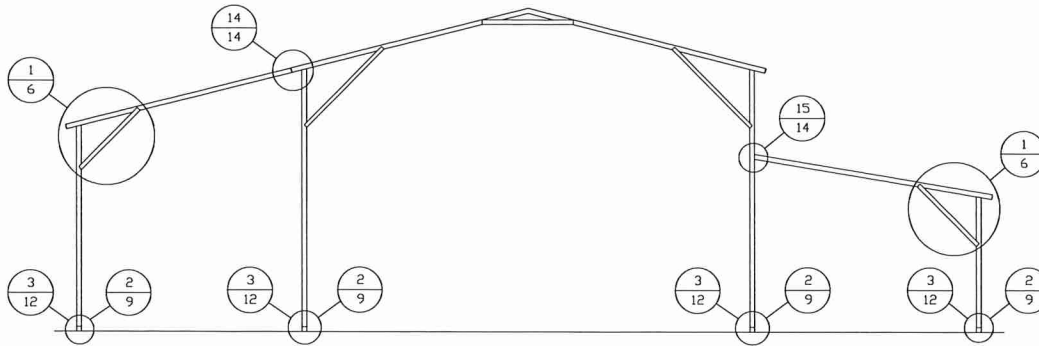
DRAWN BY: LT
CHECKED BY: PDH

STEEL BUILDINGS AND STRUCTURES, INC.
P.O. BOX 1287,
MOUNT AIRY, NC 27030
30'-0"X20'-0" ENCLOSED STRUCTURE

THIS DOCUMENT IS THE PROPERTY OF MOORE AND ASSOCIATES ENGINEERING AND CONSULTING. THE UNAUTHORIZED REPRODUCTION, COPYING, OR OTHERWISE USE OF THIS DOCUMENT IS STRICTLY PROHIBITED AND ANY INFRINGEMENT THEREUPON MAY BE SUBJECT TO LEGAL ACTION.

PROJECT MGR: WSM	DATE: 2-14-20	SCALE: NTS	JOB NO: 18068S
CLIENT: SBSI	SHT. 13	DWG. NO: SK-3	18156S/18290S/20019S
			REV: 8

BOX EAVE RAFTER LEAN-TO OPTIONS



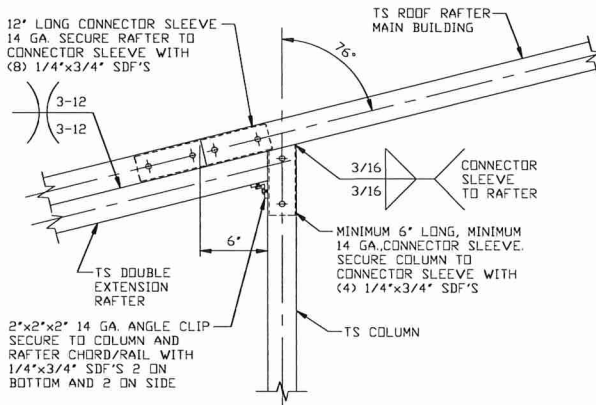
TYPICAL BOX EAVE RAFTER LEAN-TO OPTIONS FRAMING SECTION (BOTH OPTIONS SHOWN)

SCALE: NTS

MAXIMUM WIDTH OF SINGLE MEMBER (RAFTER) ROOF EXTENSION LEAN-TO IS 12'-0".

MAXIMUM WIDTH OF DOUBLE MEMBER RAFTER ROOF EXTENSION LEAN-TO IS 16'-0".

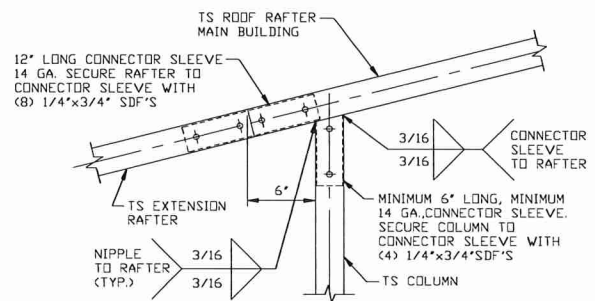
FOR SHARED COLUMN HEIGHTS REFERENCE RAFTER COLUMN CONNECTION DETAILS FOR APPROPRIATE COLUMN HEIGHT AND TUBING SPECIFICATIONS.



14

SIDE EXTENSION RAFTER/ COLUMN DETAIL FOR RAFTER SPANS 12'-0" < TO <= 16'-0"

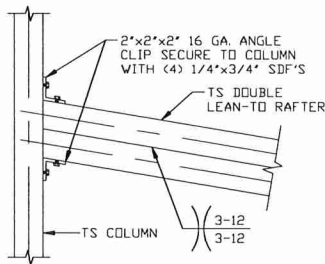
SCALE: NTS



14A

SIDE EXTENSION RAFTER/ COLUMN DETAIL FOR RAFTER SPANS <= 12'-0"

SCALE: NTS

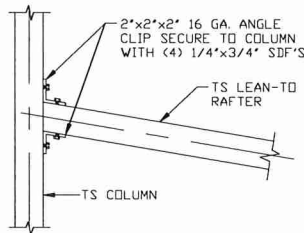


15

LEAN-TO RAFTER TO RAFTER POST CONNECTION DETAIL FOR WIDTHS

12'-0" < TO <= 16'-0"

SCALE: NTS



15A

LEAN-TO RAFTER TO RAFTER POST CONNECTION DETAIL FOR WIDTHS <= 12'-0"

SCALE: NTS



**MOORE AND ASSOCIATES
ENGINEERING AND CONSULTING, INC.**

DRAWN BY: LT
CHECKED BY: PDH

STEEL BUILDINGS AND STRUCTURES, INC.
P.O. BOX 1287,
MOUNT AIRY, NC 27030
30'-0"x20'-0" ENCLOSED STRUCTURE

THIS DOCUMENT IS THE PROPERTY OF MOORE AND ASSOCIATES ENGINEERING AND CONSULTING. THE UNAUTHORIZED REPRODUCTION, COPYING, OR OTHERWISE USE OF THIS DOCUMENT IS STRICTLY PROHIBITED AND ANY INFRINGEMENT THEREUPON MAY BE SUBJECT TO LEGAL ACTION.

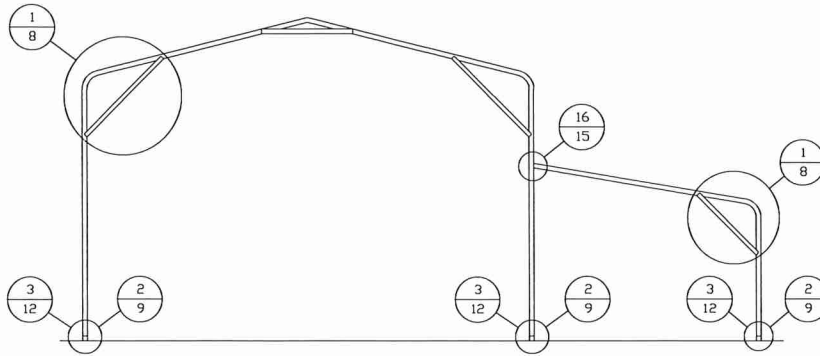
PROJECT MGR: WSM
CLIENT: SBSI

DATE: 2-14-20
SHT. 14

SCALE: NTS
DWG. NO: SK-3

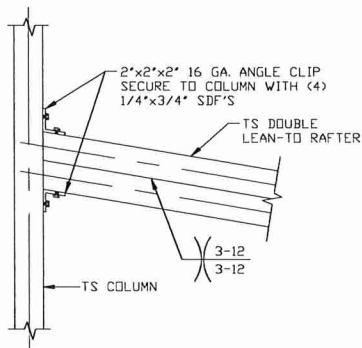
JOB NO: 18068S
18156S/18290S/20019S
REV: 8

BOW EAVE RAFTER LEAN-TO OPTIONS



TYPICAL BOW EAVE RAFTER LEAN-TO OPTIONS FRAMING SECTION

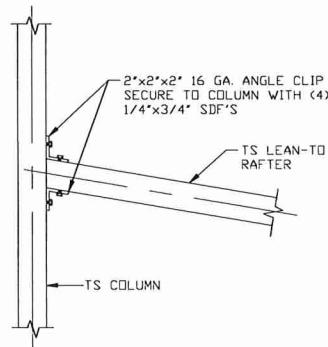
SCALE: NTS
 MAXIMUM WIDTH OF SINGLE MEMBER (RAFTER) ROOF EXTENSION LEAN-TO IS 12'-0".
 MAXIMUM WIDTH OF DOUBLE MEMBER RAFTER ROOF EXTENSION LEAN-TO IS 16'-0".
 FOR SHARED COLUMN HEIGHTS REFERENCE RAFTER COLUMN CONNECTION DETAILS FOR APPROPRIATE COLUMN HEIGHT AND TUBING SPECIFICATIONS.



**LEAN-TO RAFTER TO
 RAFTER POST CONNECTION
 DETAIL FOR WIDTHS
 12'-0" < TO ≤ 16'-0"**

16

SCALE: NTS



**LEAN-TO RAFTER
 TO RAFTER POST
 CONNECTION DETAIL
 FOR WIDTHS ≤ 12'-0"**

16A

SCALE: NTS



**MOORE AND ASSOCIATES
 ENGINEERING AND CONSULTING, INC.**

DRAWN BY: LT

CHECKED BY: PDH

PROJECT MGR: WSM

CLIENT: SBSI

STEEL BUILDINGS AND STRUCTURES, INC.
 P.O. BOX 1287,
 MOUNT AIRY, NC 27030
 30'-0"x20'-0" ENCLOSED STRUCTURE

DATE: 2-14-20

SHT. 15

SCALE: NTS

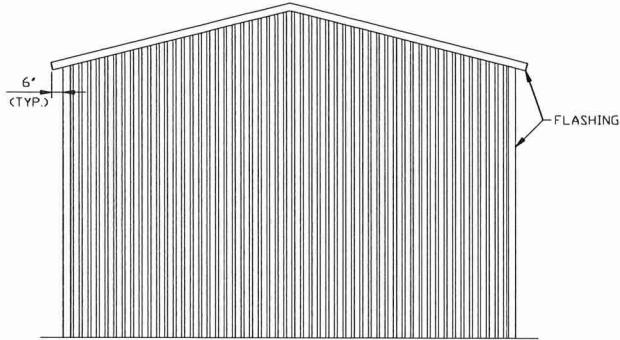
DWG. NO: SK-3

**JOB NO: 18068S
 18156S/18290S/20019S**

REV: 8

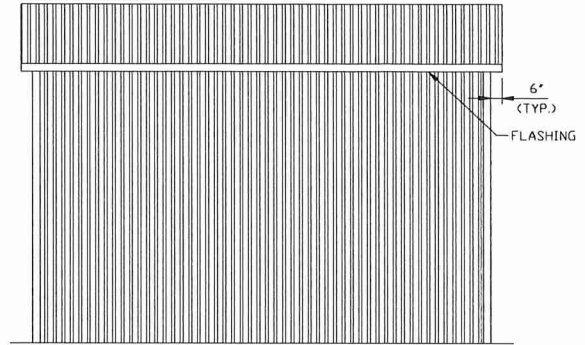
THIS DOCUMENT IS THE PROPERTY OF MOORE AND ASSOCIATES ENGINEERING AND CONSULTING. THE UNAUTHORIZED REPRODUCTION, COPYING, OR OTHERWISE USE OF THIS DOCUMENT IS STRICTLY PROHIBITED AND ANY INFRINGEMENT THEREUPON MAY BE SUBJECT TO LEGAL ACTION.

BOX EAVE RAFTER VERTICAL ROOF/SIDING OPTION



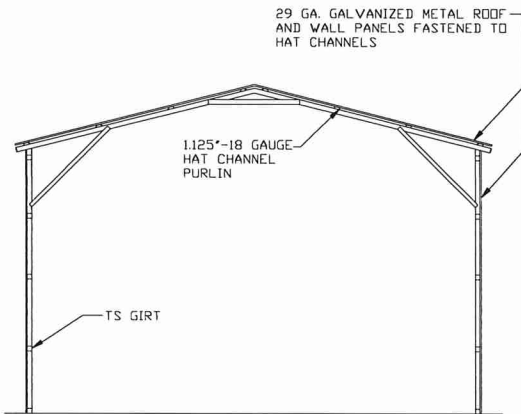
**TYPICAL END ELEVATION
VERTICAL ROOF/SIDING**

SCALE: NTS



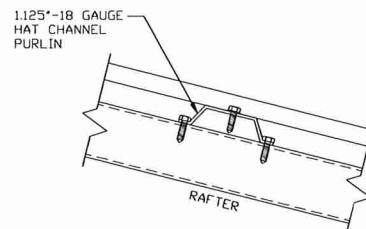
**TYPICAL SIDE ELEVATION
VERTICAL ROOF/SIDING**

SCALE: NTS



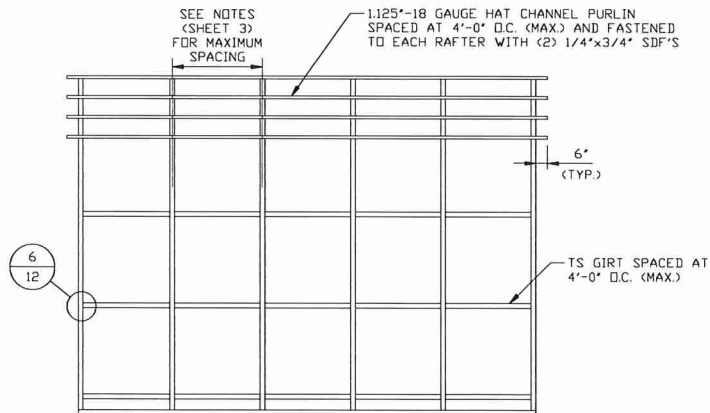
**TYPICAL SECTION
VERTICAL ROOF/SIDING OPTION**

SCALE: NTS



PANEL ATTACHMENT

(ALTERNATE FOR VERTICAL ROOF PANELS)
SCALE: NTS



**TYPICAL FRAMING SECTION
VERTICAL ROOF/SIDING OPTION**

SCALE: NTS



**MOORE AND ASSOCIATES
ENGINEERING AND CONSULTING, INC.**

DRAWN BY: LT

CHECKED BY: PDH

PROJECT MGR: WSM

CLIENT: SBSI

STEEL BUILDINGS AND STRUCTURES, INC.
P.O. BOX 1287,
MOUNT AIRY, NC 27030
30'-0" x 20'-0" ENCLOSED STRUCTURE

DATE: 2-14-20

SHT. 16

SCALE: NTS

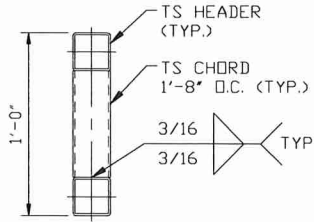
DWG. NO: SK-3

**JOB NO: 18068S
18156S/18290S/20019S**

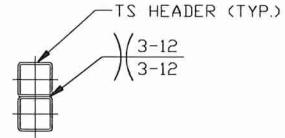
REV: 8

THIS DOCUMENT IS THE PROPERTY OF MOORE AND ASSOCIATES ENGINEERING AND CONSULTING. THE UNAUTHORIZED REPRODUCTION, COPYING, OR OTHERWISE USE OF THIS DOCUMENT IS STRICTLY PROHIBITED AND ANY INFRINGEMENT THEREUPON MAY BE SUBJECT TO LEGAL ACTION.

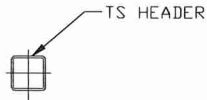
SIDE WALL HEADER OPTIONS



**LACED HEADER DETAIL FOR DOOR
OPENINGS 12'-0" < LENGTH < 20'-0"**
SCALE: NTS

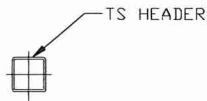


**DOUBLE HEADER DETAIL FOR DOOR
OPENINGS 7'-0" < LENGTH < 12'-0"**
SCALE: NTS



**SINGLE HEADER DETAIL FOR
DOOR OPENINGS LENGTH < 7'-0"**
SCALE: NTS

END WALL HEADER OPTIONS



**SINGLE HEADER DETAIL FOR
DOOR OPENINGS LENGTH < 12'-0"**
SCALE: NTS



**MOORE AND ASSOCIATES
ENGINEERING AND CONSULTING, INC.**

DRAWN BY: LT

CHECKED BY: PDH

PROJECT MGR: WSM

CLIENT: SBSI

STEEL BUILDINGS AND STRUCTURES, INC.
P.O. BOX 1287,
MOUNT AIRY, NC 27030
30'-0" x 20'-0" ENCLOSED STRUCTURE

DATE: 2-14-20

SHT. 17

SCALE: NTS

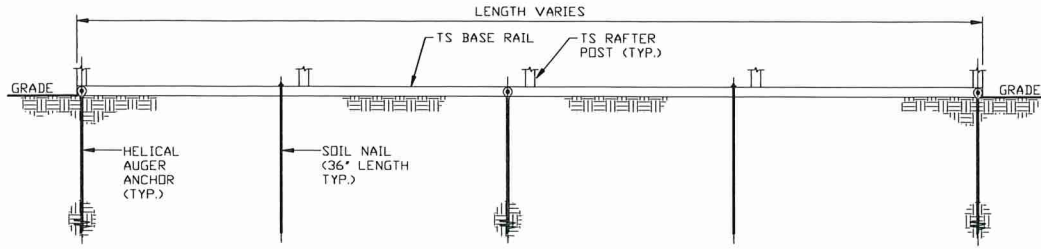
DWG. NO: SK-3

**JOB NO: 18068S
18156S/18290S/20019S**

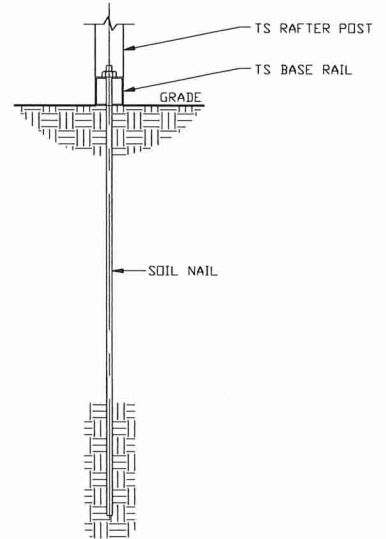
REV: 8

THIS DOCUMENT IS THE PROPERTY OF MOORE AND ASSOCIATES ENGINEERING AND CONSULTING. THE UNAUTHORIZED REPRODUCTION, COPYING, OR OTHERWISE USE OF THIS DOCUMENT IS STRICTLY PROHIBITED AND ANY INFRINGEMENT THEREUPON MAY BE SUBJECT TO LEGAL ACTION.

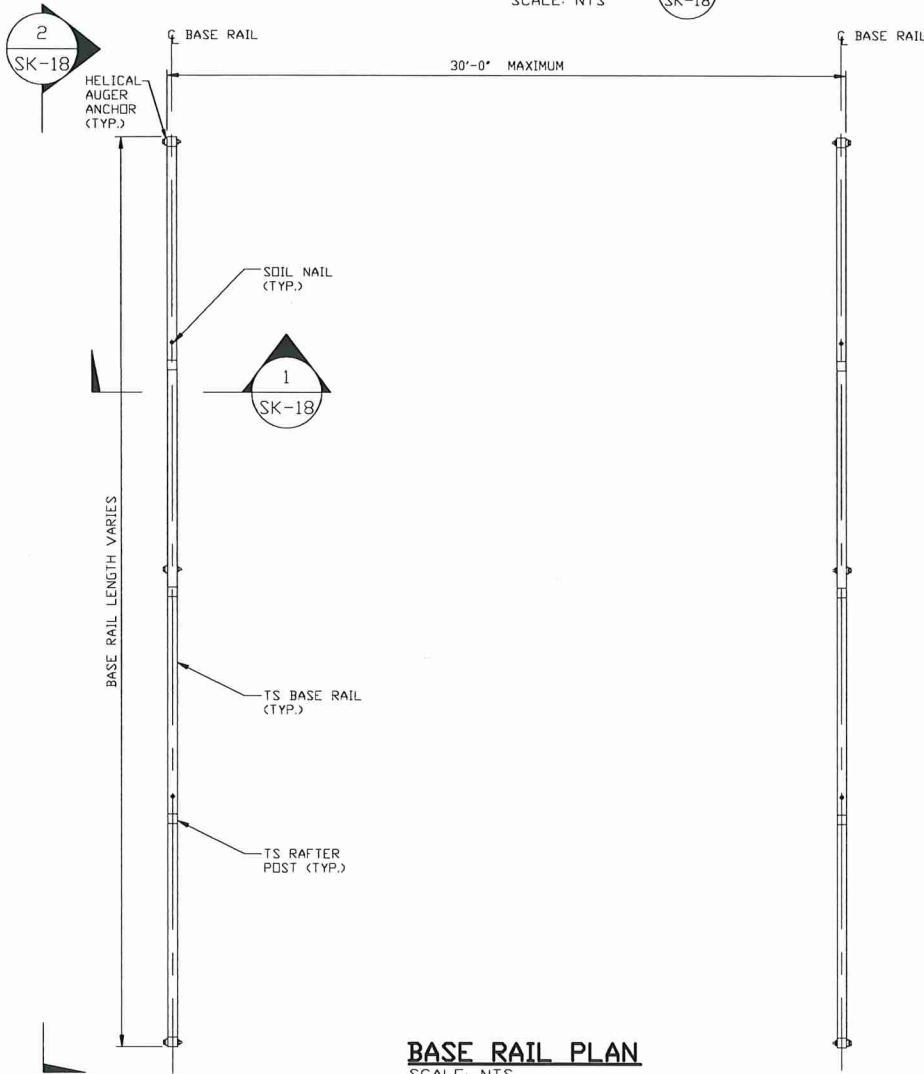
OPTIONAL BASE RAIL ON GRADE APPLICATION



SECTION 2
SCALE: NTS (SK-18)



SECTION 1
SCALE: NTS (SK-18)



BASE RAIL PLAN
SCALE: NTS

HELIX ANCHOR	
SIDE LENGTH	MAXIMUM SPACING
VARIES	10'-0" (EVERY OTHER POST)



**MOORE AND ASSOCIATES
ENGINEERING AND CONSULTING, INC.**

DRAWN BY: LT

CHECKED BY: PDH

PROJECT MGR: WSM

CLIENT: SBSI

STEEL BUILDINGS AND STRUCTURES, INC.
P.O. BOX 1287,
MOUNT AIRY, NC 27030
30'-0"x20'-0" ENCLOSED STRUCTURE

DATE: 2-14-20

SHT. 18

SCALE: NTS

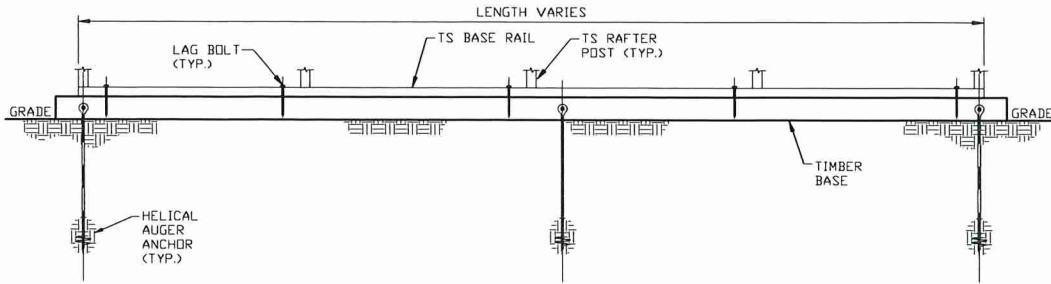
DWG. NO: SK-3

**JOB NO: 18068S
18156S/18290S/20019S**

REV: 8

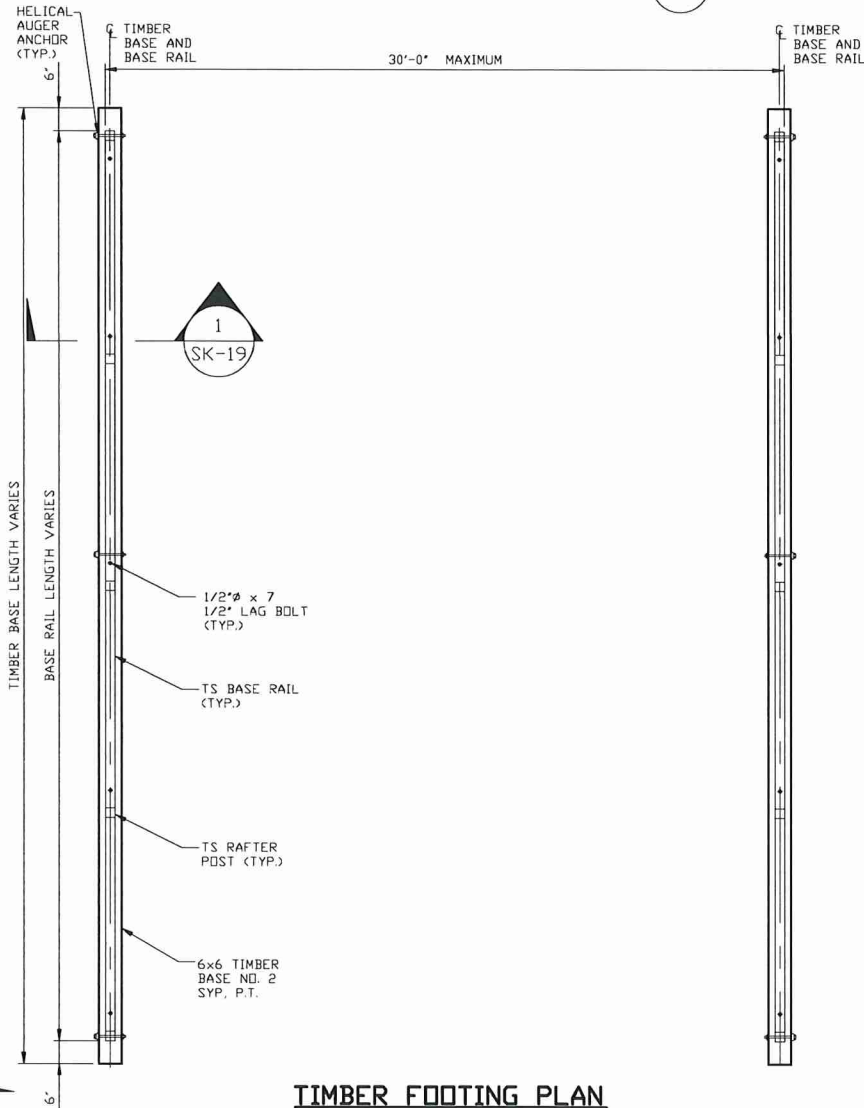
THIS DOCUMENT IS THE PROPERTY OF MOORE AND ASSOCIATES ENGINEERING AND CONSULTING. THE UNAUTHORIZED REPRODUCTION, COPYING, OR OTHERWISE USE OF THIS DOCUMENT IS STRICTLY PROHIBITED AND ANY INFRINGEMENT THEREUPON MAY BE SUBJECT TO LEGAL ACTION.

OPTIONAL BASE RAIL ON TIMBER BEAM

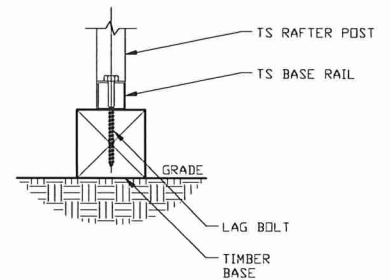


SECTION 2
SCALE: NTS

2
SK-19



TIMBER FOOTING PLAN
SCALE: NTS



SECTION 1
SCALE: NTS

HELIX ANCHOR	
SIDE LENGTH	MAXIMUM SPACING
VARIES	10'-0" (EVERY OTHER POST)



**MOORE AND ASSOCIATES
ENGINEERING AND CONSULTING, INC.**

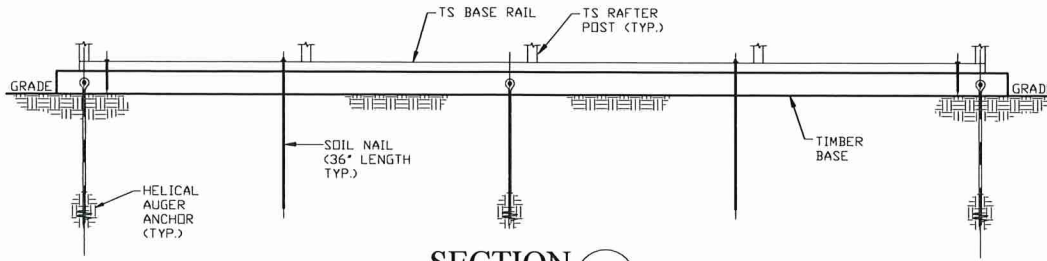
DRAWN BY: LT
CHECKED BY: PDH

STEEL BUILDINGS AND STRUCTURES, INC.
P.O. BOX 1287,
MOUNT AIRY, NC 27030
30'-0"x20'-0" ENCLOSED STRUCTURE

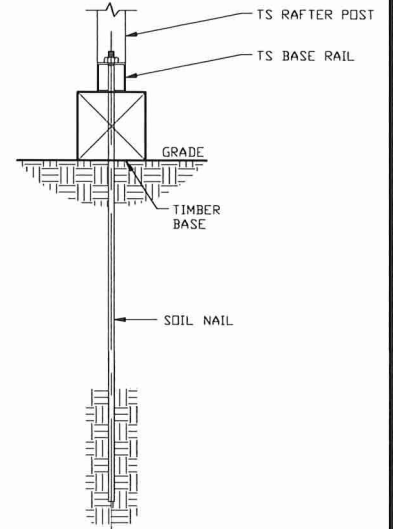
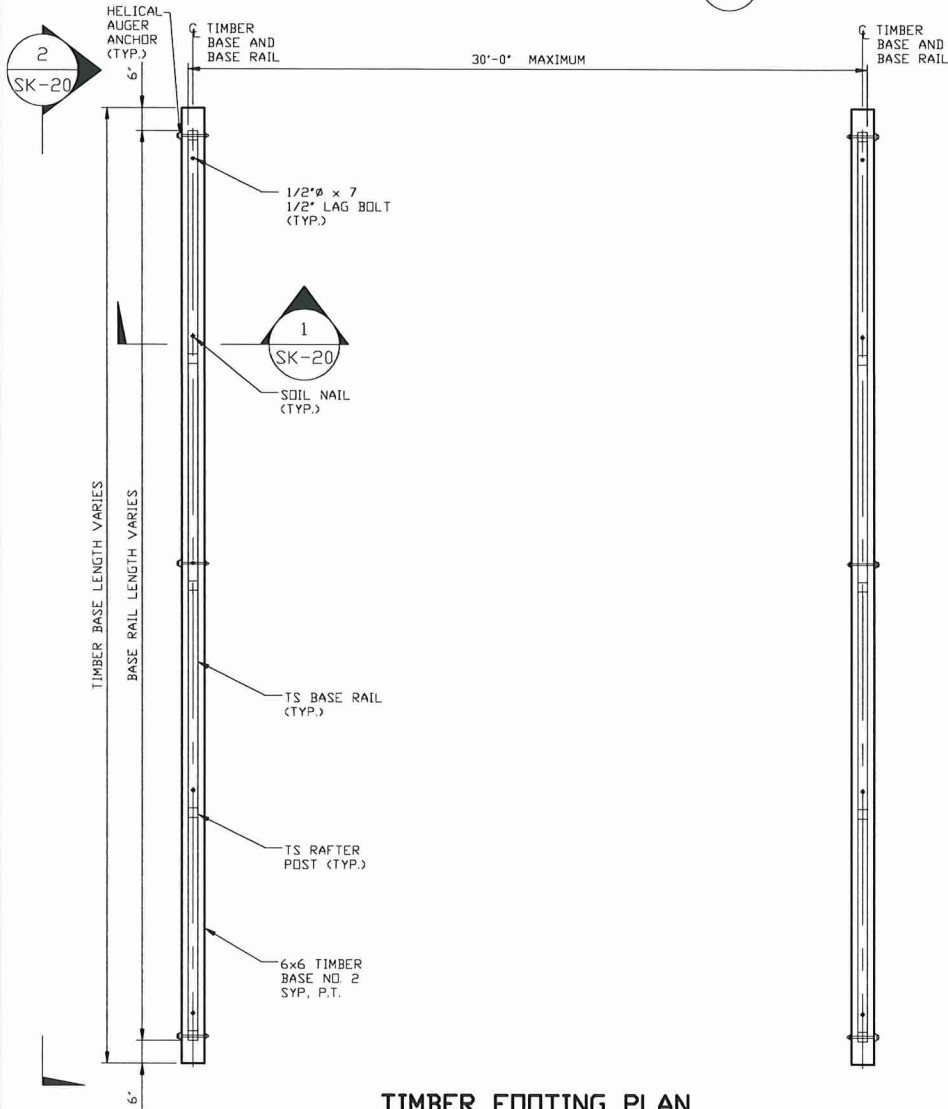
THIS DOCUMENT IS THE PROPERTY OF MOORE AND ASSOCIATES ENGINEERING AND CONSULTING. THE UNAUTHORIZED REPRODUCTION, COPYING, OR OTHERWISE USE OF THIS DOCUMENT IS STRICTLY PROHIBITED AND ANY INFRINGEMENT THEREUPON MAY BE SUBJECT TO LEGAL ACTION.

PROJECT MGR: WSM	DATE: 2-14-20	SCALE: NTS	JOB NO: 18068S
CLIENT: SBSI	SHT. 19	DWG. NO: SK-3	REV: 8

OPTIONAL BASE RAIL ON TIMBER BEAM WITH SOIL NAIL



SECTION 2
SCALE: NTS



SECTION 1
SCALE: NTS

TIMBER FOOTING PLAN
SCALE: NTS

HELIX ANCHOR	
SIDE LENGTH	MAXIMUM SPACING
VARIES	10'-0" (EVERY OTHER POST)



**MOORE AND ASSOCIATES
ENGINEERING AND CONSULTING, INC.**

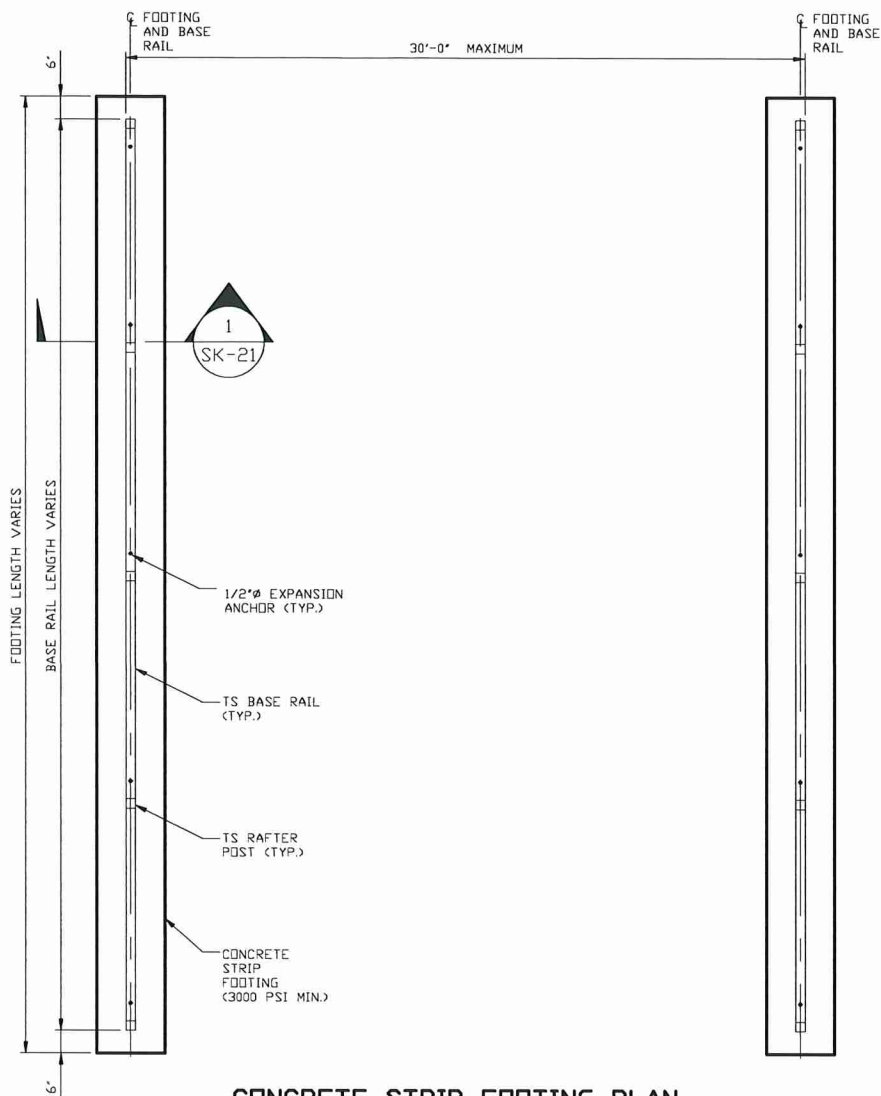
DRAWN BY: LT
CHECKED BY: PDH

STEEL BUILDINGS AND STRUCTURES, INC.
P.O. BOX 1287,
MOUNT AIRY, NC 27030
30'-0" x 20'-0" ENCLOSED STRUCTURE

THIS DOCUMENT IS THE PROPERTY OF MOORE AND ASSOCIATES ENGINEERING AND CONSULTING. THE UNAUTHORIZED REPRODUCTION, COPYING, OR OTHERWISE USE OF THIS DOCUMENT IS STRICTLY PROHIBITED AND ANY INFRINGEMENT THEREUPON MAY BE SUBJECT TO LEGAL ACTION.

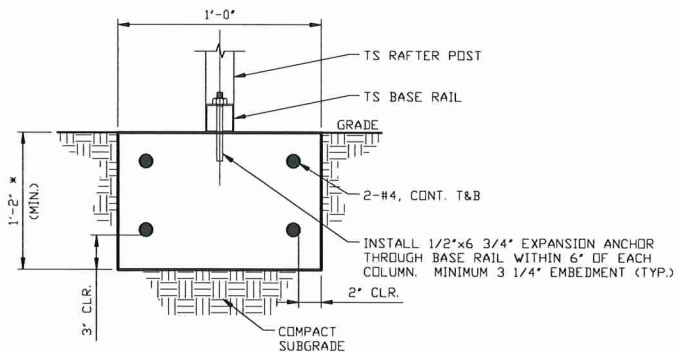
PROJECT MGR: WSM	DATE: 2-14-20	SCALE: NTS	JOB NO: 18068S 18156S/18290S/20019S
CLIENT: SBSI	SHT. 20	DWG. NO: SK-3	REV: 8

OPTIONAL CONCRETE STRIP FOOTING



CONCRETE STRIP FOOTING PLAN

SCALE: NTS



SECTION 1
SCALE: NTS

* COORDINATE WITH LOCAL CODES/ORD.



**MOORE AND ASSOCIATES
ENGINEERING AND CONSULTING, INC.**

DRAWN BY: LT

CHECKED BY: PDH

PROJECT MGR: WSM

CLIENT: SBSI

STEEL BUILDINGS AND STRUCTURES, INC.
P.O. BOX 1287,
MOUNT AIRY, NC 27030
30'-0" x 20'-0" ENCLOSED STRUCTURE

DATE: 2-14-20

SHT. 21

SCALE: NTS

DWG. NO: SK-3

**JOB NO: 18068S
18156S/18290S/20019S**

REV: 8

THIS DOCUMENT IS THE PROPERTY OF MOORE AND ASSOCIATES ENGINEERING AND CONSULTING. THE UNAUTHORIZED REPRODUCTION, COPYING, OR OTHERWISE USE OF THIS DOCUMENT IS STRICTLY PROHIBITED AND ANY INFRINGEMENT THEREUPON MAY BE SUBJECT TO LEGAL ACTION.