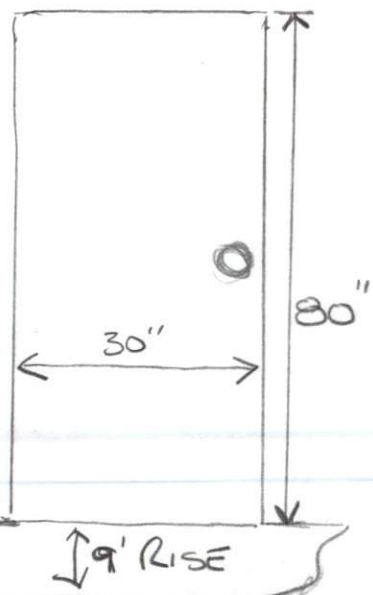
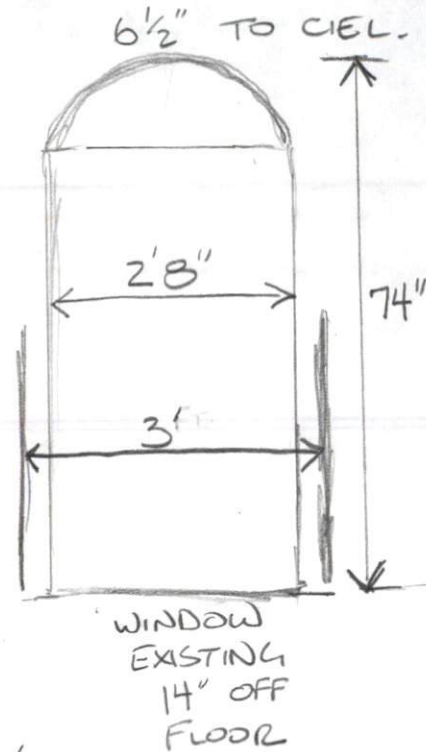
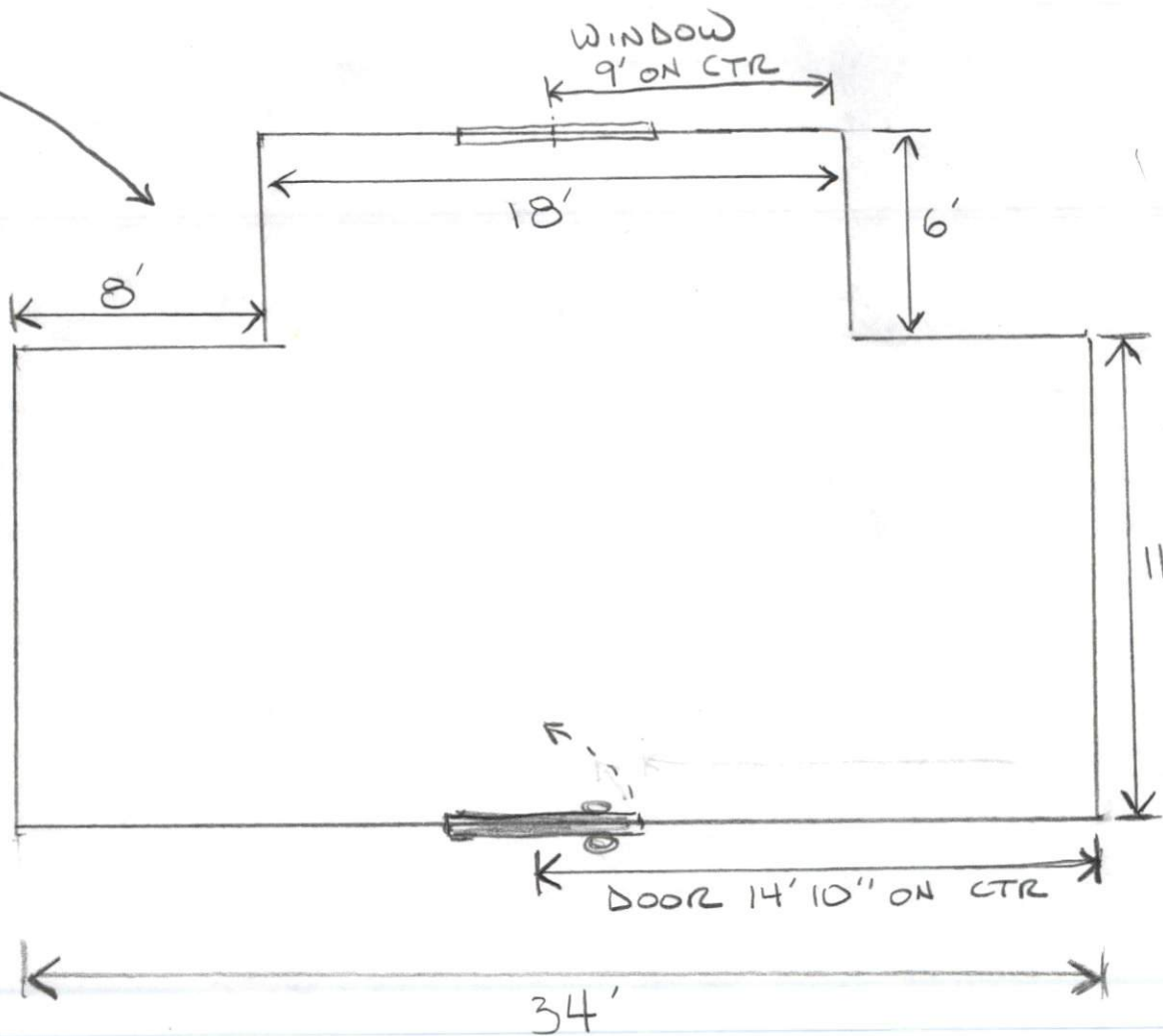


NOT TO SCALE

* NOTE:
6x8 AREA
HAS 45° ROOF
RAFTERS

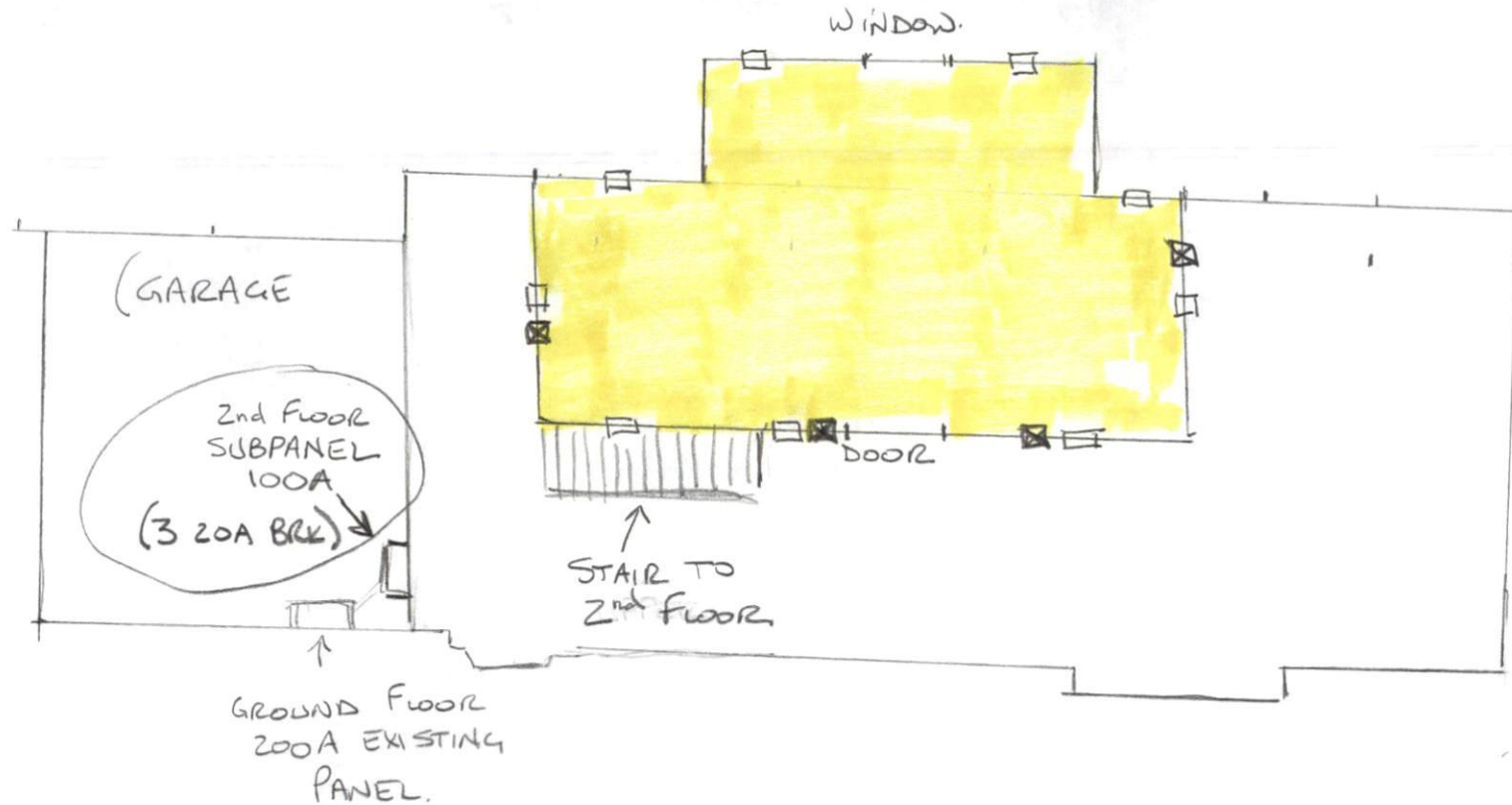


* SINGLE 5"
STEP HERE



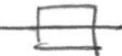
* NOTE: 18' FACADE = R38
6x8 RAFTER = R38
ALL OTHERS R19(?).

NOT TO SCALE



 PROPOSED STUDIO AREA

* 2 OUTLETS AND 6 LIGHT FIXTURES EXIST ON MAIN PANEL ORIGINAL (15 A BREAKER)

 PROPOSED OUTLETS (13 TOTAL)
9 INTER ROOM / 4 OUTER

 4 OUTER WALLS