



## STRUCTURAL DESIGN

## ENCLOSED BUILDING

**MAXIMUM 30'- 0" WIDE X 16'- 0" EAVE HEIGHT-  
BOX EAVE FRAME AND BOW FRAME**

**17 June 2021**

**Revision 3**

**M&A Project No. 17171S/18253S/20376S/21118S**

**Prepared for:**

**Carport Central, Inc.  
137 South Main Street  
Mt. Airy, NC 27030**

**Prepared by:**

**Moore and Associates Engineering and Consulting, Inc.**

**1009 East Avenue  
North Augusta, SC 29841**

**401 S. Main Street, Suite 200  
Mt. Airy, NC 27030**



**MOORE AND ASSOCIATES**  
ENGINEERING AND CONSULTING

		<p>I HAVE RESEARCHED THIS CHAPTER AND THE LOUISIANA STATE UNIFORM CONSTRUCTION CODE AND TO THE BEST OF MY KNOWLEDGE AND BELIEF, THESE DRAWINGS ARE IN COMPLIANCE THEREWITH. I TAKE FULL RESPONSIBILITY FOR THE CONTENTS OF THESE PLANS.</p>	

<p><b>MOORE AND ASSOCIATES ENGINEERING AND CONSULTING, INC.</b></p>		<p><b>DRAWN BY:</b> JG</p>		<p>CARPENT CENTRAL, INC. 737 SOUTH MAIN STREET MOUNT AIRY, NC 27030</p>	
		<p><b>CHECKED BY:</b> PDH</p>		<p>30'-0" x 16'-0" ENCLOSED STRUCTURE</p>	
<p><b>PROJECT MGR:</b> WSM</p>		<p><b>DATE:</b> 6-17-21</p>	<p><b>SCALE:</b> NTS</p>	<p><b>JOB NO:</b> 17171S/18253S/ 20376S/21118S</p>	
<p><b>CLIENT:</b> CC</p>		<p><b>SHT.</b> 1</p>	<p><b>DWG. NO:</b> SK-3</p>	<p><b>REV.</b> 3</p>	

THIS DOCUMENT IS THE PROPERTY OF MOORE AND ASSOCIATES ENGINEERING AND CONSULTING. THE UNAUTHORIZED REPRODUCTION, COPYING, OR OTHERWISE USE OF THIS DOCUMENT IS STRICTLY PROHIBITED AND ANY INFRENGEMENT THEREUPON MAY BE SUBJECT TO LEGAL ACTION.

	<p><b>Professional Certification.</b> I hereby certify that these documents were prepared or approved by me, and that I am a duly licensed professional engineer under the laws of the State of Maryland, License No. 49744, Expiration Date <u>6/18/22</u></p>		
	<p>WAYNE SHERIDAN MOORE No. 12395 6/18/21 REGISTERED PROFESSIONAL ENGINEER (STRUCTURAL)</p>		

<p><b>MOORE AND ASSOCIATES ENGINEERING AND CONSULTING, INC.</b></p>	<p>DRAWN BY: JG</p>	<p>CARPORT CENTRAL, INC. 737 SOUTH MAIN STREET MOUNT AIRY, NC 27030 30'-0" x 16'-0" ENCLOSED STRUCTURE</p>		
	<p>CHECKED BY: PDM</p>	<p>PROJECT MGR: WSM</p>	<p>DATE: 6-17-21</p>	<p>SCALE: NTS JOB NO: 17171S/18253S/ 20376S/2118S</p>
<p><small>THIS DOCUMENT IS THE PROPERTY OF MOORE AND ASSOCIATES ENGINEERING AND CONSULTING. THE UNAUTHORIZED REPRODUCTION, COPYING, OR OTHERWISE USE OF THIS DOCUMENT IS STRICTLY PROHIBITED AND ANY INFRINGEMENT THEREUPON MAY BE SUBJECT TO LEGAL ACTION.</small></p>	<p>CLIENT: CC</p>	<p>SHT. 1A</p>	<p>DWG. NO: SK-3</p>	<p>REV: 3</p>

## DRAWING INDEX

<b>SHEET 1</b>	PE SEAL COVER SHEET (1 OF 2)
<b>SHEET 1A</b>	PE SEAL COVER SHEET (2 OF 2)
<b>SHEET 2</b>	DRAWING INDEX
<b>SHEET 3</b>	INSTALLATION NOTES AND SPECIFICATIONS
<b>SHEET 3A</b>	LIST OF APPLICABLE BUILDING CODE
<b>SHEET 4</b>	TYPICAL SIDE AND END ELEVATIONS
<b>SHEET 5</b>	TYPICAL RAFTER/COLUMN END AND SIDE FRAMING SECTION (BOX EAVE RAFTER)
<b>SHEET 6</b>	COLUMN CONNECTION DETAILS
SHEET 7	TYPICAL RAFTER/COLUMN END AND SIDE FRAMING SECTION (BOW RAFTER)
SHEET 8	COLUMN CONNECTION DETAILS
<b>SHEET 9</b>	BASE RAIL ANCHORAGE OPTIONS
<b>SHEET 9A</b>	BASE RAIL ANCHORAGE OPTION
<b>SHEET 10</b>	BOX EAVE RAFTER END WALL AND SIDE WALL FRAMING SECTIONS
SHEET 11	BOW RAFTER END WALL AND SIDE WALL FRAMING SECTIONS
<b>SHEET 12</b>	CONNECTION DETAILS
<b>SHEET 13</b>	CONNECTION DETAILS
<b>SHEET 14</b>	CONNECTION DETAILS
<b>SHEET 15</b>	BOX EAVE RAFTER LEAN-TO OPTIONS
SHEET 16	BOW RAFTER LEAN-TO OPTION
<b>SHEET 17</b>	BOX EAVE RAFTER VERTICAL ROOF OPTION
SHEET 18	OPTIONAL BASE RAIL ON GRADE APPLICATION
SHEET 19	OPTIONAL BASE RAIL ON TIMBER BEAM
SHEET 20	OPTIONAL CONCRETE STRIP FOOTING
<b>SHEET 21</b>	SIDE WALL AND END WALL HEADER OPTIONS

\*\* CarportCentral Associate Manufacturer Or Customer Use Only\*\*

<b>MOORE AND ASSOCIATES ENGINEERING AND CONSULTING, INC.</b>	DRAWN BY: JG	CARPORT CENTRAL, INC. 737 SOUTH MAIN STREET MOUNT AIRY, NC 27030		
	CHECKED BY: PDH	30'-0" x 16'-0" ENCLOSED STRUCTURE		
THIS DOCUMENT IS THE PROPERTY OF MOORE AND ASSOCIATES ENGINEERING AND CONSULTING. THE UNAUTHORIZED REPRODUCTION, COPYING, OR OTHERWISE USE OF THIS DOCUMENT IS STRICTLY PROHIBITED AND ANY IMPROVEMENT THEREUPON MAY BE SUBJECT TO LEGAL ACTION.	PROJECT MGR: WSM	DATE: 6-17-21	SCALE: NTS	JOB NO: 17171S/18253S/ 20376S/21116S
	CLIENT: CC	SHT. 2	DWG. NO: SK-3	REV. 3

**INSTALLATION NOTES AND SPECIFICATIONS**

- 1 DESIGN IS FOR MAXIMUM 30'-0" WIDE x 16'-0" EAVE HEIGHT ENCLOSED STRUCTURES
- 2 DESIGN WAS DONE IN ACCORDANCE WITH ALL APPLICABLE BUILDING CODES LISTED ON SHEET 3A
- 3 DESIGN LOADS ARE AS FOLLOWS:
  - A) DEAD LOAD = 15 PSF
  - B) LIVE LOAD = 12 PSF
  - C) GROUND SNOW LOAD = 30 PSF ( $\leq 26'-0"$ ), 35 PSF ( $26'-0" < W \leq 30'-0"$ )  
(NOTE: UNBALANCED SNOW LOADS DUE TO DRIFTING HAVE NOT BEEN EVALUATED)
- 4 ULTIMATE WIND SPEED =  $\leq 145$  MPH (NOMINAL WIND SPEED =  $\leq 112$  MPH) UNLESS NOT OTHERWISE)
- 5 MAXIMUM RAFTER/COLUMN AND END COLUMN SPACING = 50 FEET (UNLESS NOTED OTHERWISE)
- 6 END WALL COLUMNS (POST) ARE EQUIVALENT TO SIDE WALL COLUMNS (POST) UNLESS NOTED OTHERWISE
- 7 LOW HAZARD RISK CATEGORY I.
8. WIND EXPOSURE CATEGORY B
- 9 SPECIFICATIONS APPLICABLE TO 29 GAUGE METAL PANELS FASTENED DIRECTLY TO 2 1/2" x 2 1/2" - 14 GAUGE TUBE STEEL JOIST FRAMING MEMBERS (UNLESS NOTED OTHERWISE)
- 10 AVERAGE FASTENER SPACING ON-CENTERS ALONG RAFTERS OR HAT CHANNELS, AND COLUMNS (INTERIOR AND EDGE DISTANCE) = 8 INCHES
- 11 FASTENERS CONSIST OF 1/4"x3/4" (UNLESS OTHERWISE NOTED) SELF-DRILLING FASTENER (SDF), USE CONTROL SEAL WASHER WITH EXTERIOR FASTENERS. SPECIFICATIONS APPLICABLE ONLY FOR MEAN ROOF HEIGHT OF 20 FEET OR LESS, AND ROOF SLOPES OF 14° (3:12) PITCH OR LESS. SPACING REQUIREMENTS FOR OTHER ROOF HEIGHTS AND/OR SLOPES MAY VARY, ROOF SLOPES LESS THAN 3:12 REQUIRE USE OF LAP JOINT SEALANT
- 12 ANCHORS SHALL BE INSTALLED THROUGH BASE RAIL WITHIN 6" OF EACH COLUMN
- 13 STANDARD GROUND ANCHORS (SOIL NAILS) CONSIST OF #4 REBAR W/ WELDED NUT x 36" LONG IN SUITABLE SOILS. OPTIONAL ANCHORAGE MAY BE USED IN SUITABLE SOILS AND MUST BE USED FOR WIND SPEEDS  $\leq 145$  MPH. OPTIONAL ANCHORAGE MAY BE USED IN SUITABLE SOILS AND MUST BE USED IN UNSUITABLE SOILS AND FOR WIND SPEEDS  $> 145$  MPH AS NOTED. COORDINATE WITH LOCAL CODES/ORDINANCES REGARDING MINIMUM LENGTH FOR FROST DEPTH PROTECTION.
- 14 WIND FORCES GOVERN OVER SEISMIC FORCES. SEISMIC PARAMETERS ANALYZED ARE:  
 SOIL SITE CLASS = D  
 RISK CATEGORY I  
 $R = 3.25$   
 $S_{DS} = 2.039 g$   
 $S_{DI} = 1.258 g$   
 $I_E = 1.0$   
 $V = C_s W$

\*\* CarportCentral Associate Manufacturer Or Customer Use Only\*\*

<b>MOORE AND ASSOCIATES ENGINEERING AND CONSULTING, INC.</b>	DRAWN BY: JG	CARPORT CENTRAL, INC. 737 SOUTH MAIN STREET MOUNT AIRY, NC 27030 30'-0" x 16'-0" E. ENCLOSED STRUCTURE		
	CHECKED BY: PDH			
THIS DOCUMENT IS THE PROPERTY OF MOORE AND ASSOCIATES ENGINEERING AND CONSULTING. THE UNAUTHORIZED REPRODUCTION, COPYING, OR OTHERWISE USE OF THIS DOCUMENT IS STRICTLY PROHIBITED AND ANY INFRACTION THEREOF MAY BE SUBJECT TO LEGAL ACTION.	PROJECT MGR: WSM	DATE: 6-17-21	SCALE: NTS	JOB NO: 1717S/18253S/ 20376S/21116S
	CLIENT: CC	SHT. 3	DWG. NO: SK-3	REV: 3

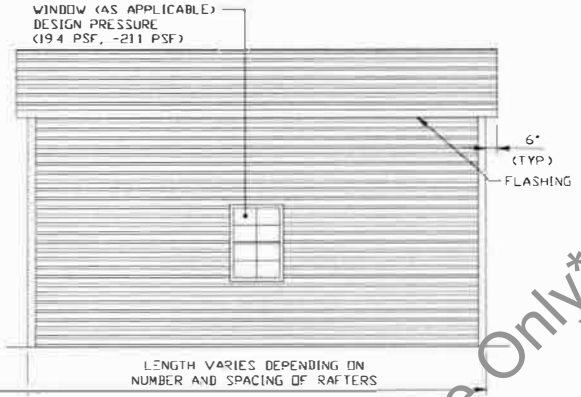
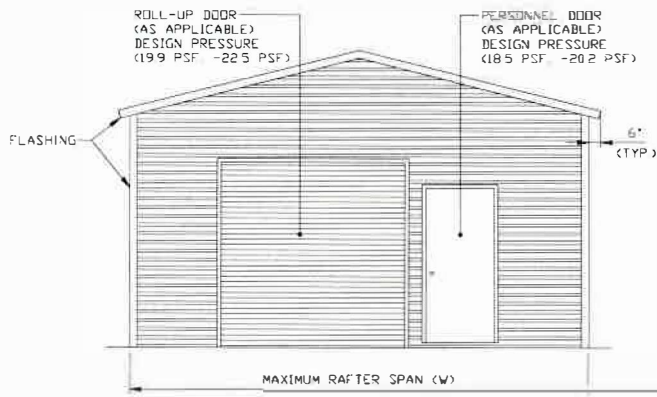
**LIST OF APPLICABLE BUILDING CODES**

- 2018 INTERNATIONAL BUILDING CODE (IBC 2018)
- 2015 INTERNATIONAL BUILDING CODE (IBC 2015)
- 2012 INTERNATIONAL BUILDING CODE (IBC 2012)
- 2009 INTERNATIONAL BUILDING CODE (IBC 2009)
- 2006 INTERNATIONAL BUILDING CODE (IBC 2006)
- BUILDING CODE 2015 OF ALABAMA  
(ADOPTS THE IBC 2015 WITH AMENDMENTS)
- 2015 IBC PORTION OF THE 2018 CT STATE BUILDING CODE  
(ADOPTS THE IBC 2015 WITH AMENDMENTS)
- COLORADO: IBC 2015, IBC 2018  
(DEPENDENT UPON LOCAL JURISDICTION)
- 2020 FLORIDA BUILDING CODE, 7TH EDITION
- GEORGIA STATE MINIMUM STANDARD BUILDING CODE  
(ADOPTS THE IBC 2015 WITH AMENDMENTS)
- INDIANA BUILDING CODE, 2014 EDITION  
(ADOPTS THE IBC 2012 WITH AMENDMENTS)
- BUILDING CODE 2018 OF KANSAS  
(ADOPTS THE IBC 2018 WITH AMENDMENTS)
- 2018 KENTUCKY BUILDING CODE  
(ADOPTS THE IBC 2015 WITH AMENDMENTS)
- BUILDING CODE 2015 OF LOUISIANA  
(ADOPTS THE IBC 2015 WITH AMENDMENTS)
- MA STATE BUILDING CODE, 9TH EDITION  
(ADOPTS THE IBC 2015 WITH AMENDMENTS)
- BUILDING CODE 2018 OF MARYLAND  
(ADOPTS THE IBC 2018 WITH AMENDMENTS)
- BUILDING CODE 2015 OF NEW MEXICO  
(ADOPTS THE IBC 2015 WITH AMENDMENTS)
- 2020 BUILDING CODE OF NEW YORK STATE  
(ADOPTS THE IBC 2018 WITH AMENDMENTS)
- 2018 NORTH CAROLINA BUILDING CODE  
(ADOPTS THE IBC 2015 WITH AMENDMENTS)
- OHIO BUILDING CODE 2017  
(ADOPTS THE IBC 2015 WITH AMENDMENTS)
- BUILDING CODE 2015 OF OKLAHOMA  
(ADOPTS THE IBC 2015 WITH AMENDMENTS)
- BUILDING CODE 2015 OF PENNSYLVANIA  
(ADOPTS THE IBC 2015 WITH AMENDMENTS)
- 2019 RHODE ISLAND BUILDING CODE  
(ADOPTS THE IBC 2015 WITH AMENDMENTS)
- 2018 SOUTH CAROLINA BUILDING CODE  
(ADOPTS THE IBC 2015 WITH AMENDMENTS)
- BUILDING CODE 2012 OF TENNESSEE  
(ADOPTS THE IBC 2012 WITH AMENDMENTS)
- \* IBC 2012, IBC 2018  
BUILDING CODE OF THE TEXAS INDUSTRIALIZED  
HOUSING AND BUILDINGS PROGRAM  
(ADOPTS THE IBC 2012 WITH AMENDMENTS)

CarportCentral Associate Manufacturer Or Customer Use Only\*\*

<b>MOORE AND ASSOCIATES ENGINEERING AND CONSULTING, INC.</b>	DRAWN BY: JG	CARPORT CENTRAL, INC. 737 SOUTH MAIN STREET MOUNT AIRY, NC 27030		
	CHECKED BY: PDH	30'-0" x 6'-0" ENCLOSED STRUCTURE		
THIS DOCUMENT IS THE PROPERTY OF MOORE AND ASSOCIATES ENGINEERING AND CONSULTING. THE UNAUTHORIZED REPRODUCTION, COPYING, OR OTHERWISE USE OF THIS DOCUMENT IS STRICTLY PROHIBITED AND ANY INFRINGEMENT THEREUPON MAY BE SUBJECT TO LEGAL ACTION.	PROJECT MGR: WSM	DATE: 6-17-21	SCALE: NTS	JOB NO: 17171S/18239S/ 20376S/21118S
	CLIENT: CC	SHT. 3A	DWG. NO: SK-3	REV: 3

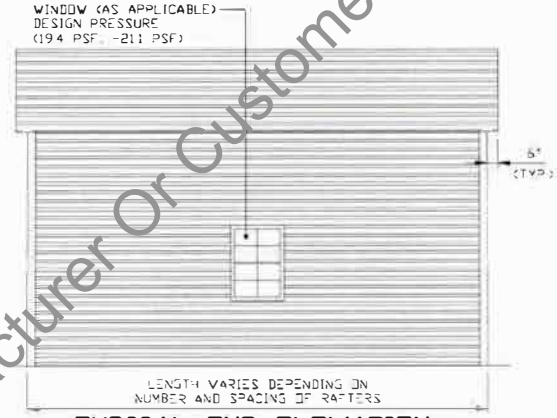
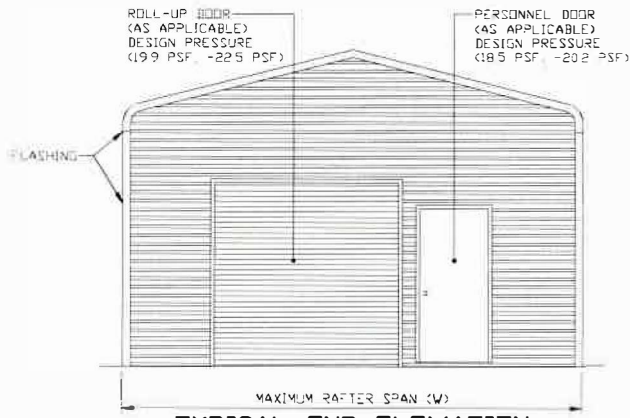
**BOX EAVE FRAME RAFTER STRUCTURE** (Sheets 5, 6, 9, 9A, 10, 12, 13, 14, 15, 18, 19, 20 AND 21)



**TYPICAL END ELEVATION-HORIZONTAL ROOF**  
SCALE: NTS

**TYPICAL SIDE ELEVATION-HORIZONTAL ROOF**  
SCALE: NTS

**BOW FRAME RAFTER STRUCTURE** (Sheets 7, 8, 9, 9A, 11, 12, 13, 14, 16, 18, 19, 20 AND 21)



**TYPICAL END ELEVATION**  
SCALE: NTS

**TYPICAL END ELEVATION**  
SCALE: NTS

**\*\* CarportCentral Associate Manufacturer Or Customer Use Only\*\***

**MOORE AND ASSOCIATES  
ENGINEERING AND CONSULTING, INC.**

**DRAWN BY: JG**

**CHECKED BY: PDH**

**PROJECT MGR: WSM**

**CLIENT: CC**

CARPOT CENTRAL, INC.  
737 SOUTH MAIN STREET  
MOUNT AIRY, NC 27030

30'-0" x 16'-0" ENCLOSED STRUCTURE

**DATE: 6-17-21**

**SHT. 4**

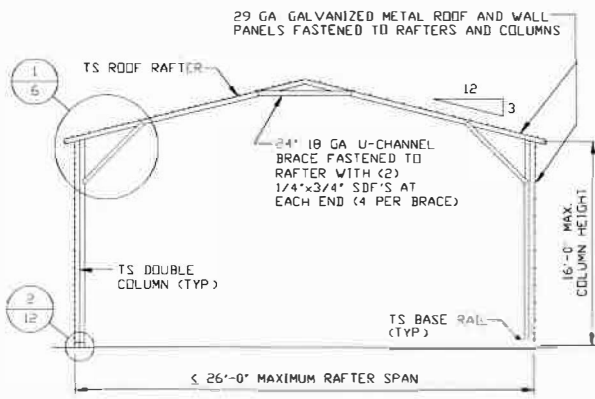
**SCALE: NTS**

**DWG. NO: SK-3**

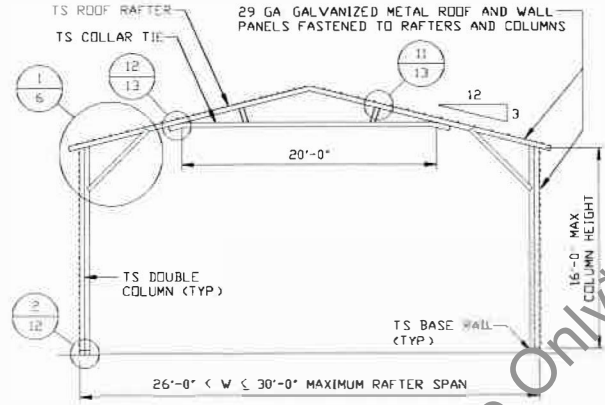
**JOB NO: 17171S/18253S/  
20376S/21118S**

**REV: 3**

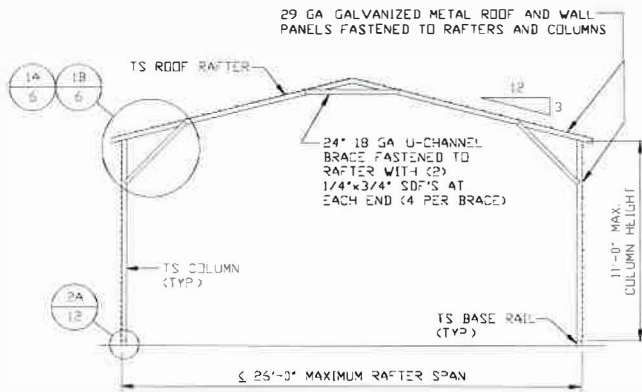
THIS DOCUMENT IS THE PROPERTY OF MOORE AND ASSOCIATES ENGINEERING AND CONSULTING. THE UNAUTHORIZED REPRODUCTION, COPYING, OR OTHERWISE USE OF THIS DOCUMENT IS STRICTLY PROHIBITED AND ANY INFRINGEMENT THEREUPON MAY BE SUBJECT TO LEGAL ACTION.



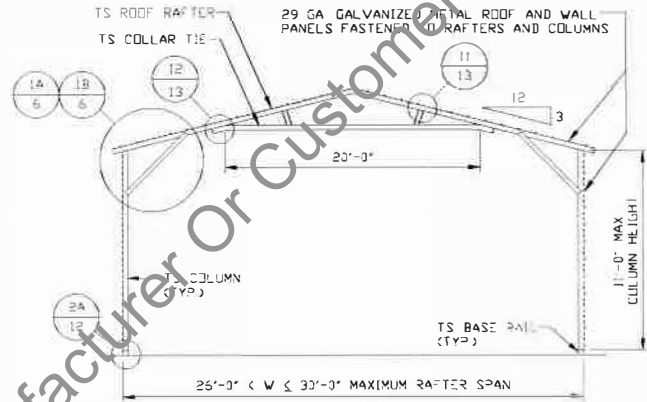
**TYPICAL RAFTER/COLUMN END FRAME SECTION**  
SCALE: NTS



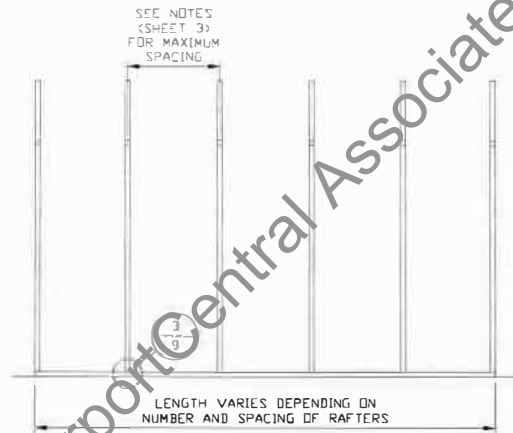
**TYPICAL RAFTER/COLUMN END FRAME SECTION**  
SCALE: NTS



**TYPICAL RAFTER/COLUMN END FRAME SECTION**  
SCALE: NTS



**TYPICAL RAFTER/COLUMN END FRAME SECTION**  
SCALE: NTS



**TYPICAL RAFTER/COLUMN SIDE FRAMING SECTION**  
SCALE: NTS

**MOORE AND ASSOCIATES  
ENGINEERING AND CONSULTING, INC.**

**DRAWN BY: JG**  
**CHECKED BY: PDH**

CARPOT CENTRAL, INC.  
737 SOUTH MAIN STREET  
MOUNT AIRY, NC 27030  
30'-0" x 16'-0" ENCLOSED STRUCTURE

THIS DOCUMENT IS THE PROPERTY OF MOORE AND ASSOCIATES ENGINEERING AND CONSULTING. THE UNAUTHORIZED REPRODUCTION, COPYING, OR OTHERWISE USE OF THIS DOCUMENT IS STRICTLY PROHIBITED AND ANY INFREEMENT THEREUPON MAY BE SUBJECT TO LEGAL ACTION.

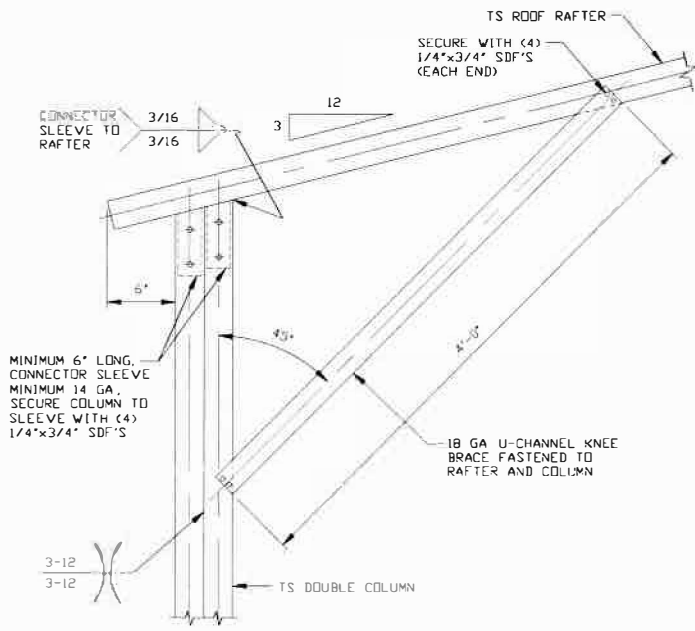
**PROJECT MGR: WSM**  
**CLIENT: CC**

**DATE: 6-17-21**  
**SHT. 5**

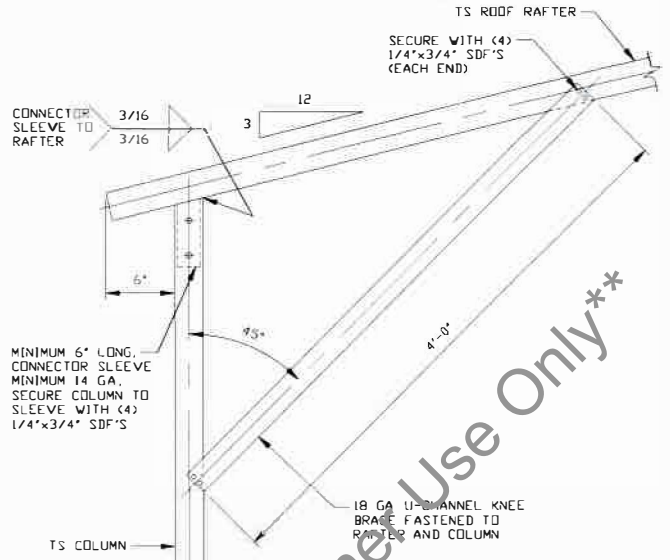
**SCALE: NTS**  
**DWG. NO: SK-3**

**JOB NO: 17171S/18253S/  
20376S/21118S**  
**REV: 3**

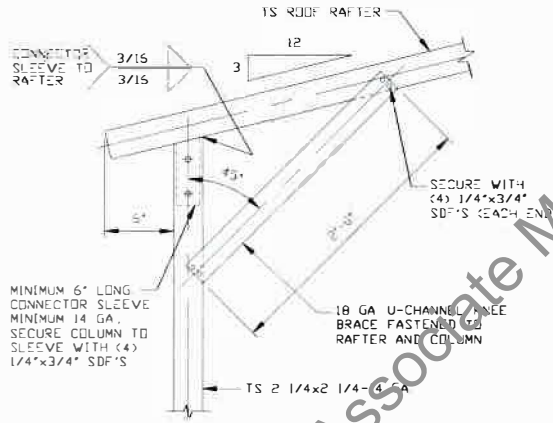




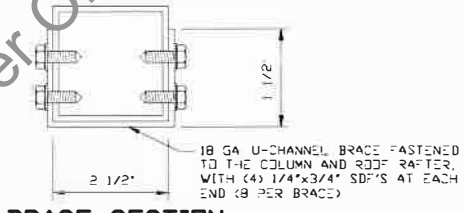
**1**  
**BOX EAVE RAFTER COLUMN CONNECTION DETAIL FOR HEIGHTS 11'-0" < TO ≤ 16'-0"**  
SCALE: NTS



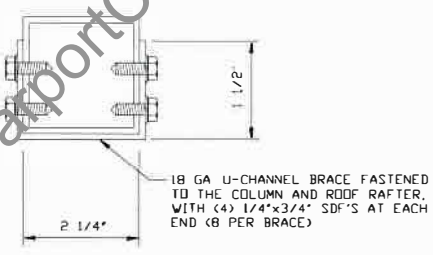
**1A**  
**BOX EAVE RAFTER COLUMN CONNECTION DETAIL FOR HEIGHTS 9'-0" < TO ≤ 11'-0"**  
SCALE: NTS  
NOTE: MAXIMUM COLUMN HEIGHT IS 12'-0" FOR WIND SPEEDS ≤ 128 MPH



**1B**  
**BOX EAVE RAFTER COLUMN CONNECTION DETAIL FOR HEIGHTS < 9'-0"**  
SCALE: NTS  
NOTE: KNEE BRACE MUST BE 4'-0" FOR 30'-0" WIDE STRUCTURES



**BRACE SECTION**  
SCALE: NTS

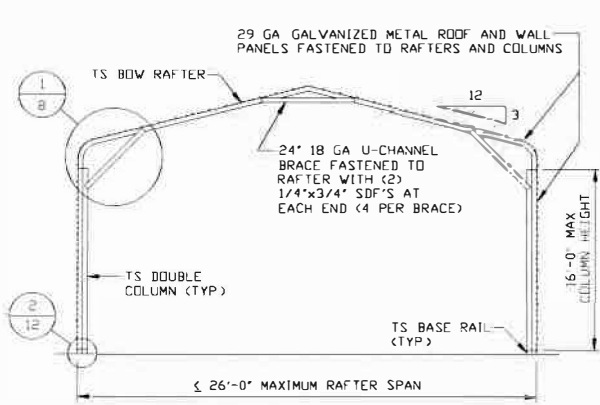


**BRACE SECTION**  
SCALE: NTS

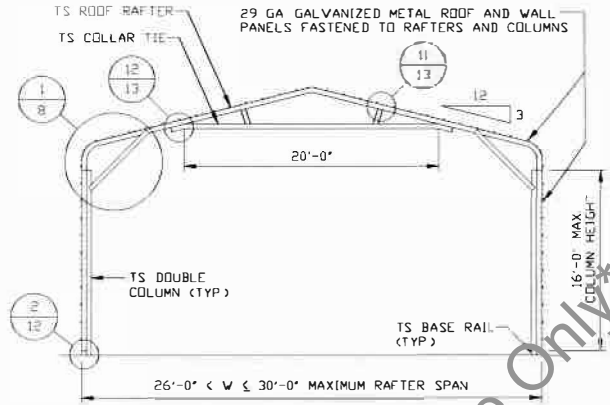
**MOORE AND ASSOCIATES ENGINEERING AND CONSULTING, INC.**

<b>DRAWN BY:</b> JG	CARPORT CENTRAL, INC. 737 SOUTH MAIN STREET MOUNT AIRY, NC 27030		
<b>CHECKED BY:</b> PDH	30'-0" x 16'-0" ENCLOSED STRUCTURE		
<b>PROJECT MGR:</b> VSM	<b>DATE:</b> 6-17-21	<b>SCALE:</b> NTS	<b>JOB NO:</b> 17171S/18253S/ 20376S/21118S
<b>CLIENT:</b> CC	<b>SHT.</b> 6	<b>DWG. NO:</b> SK-3	<b>REV.:</b> 3

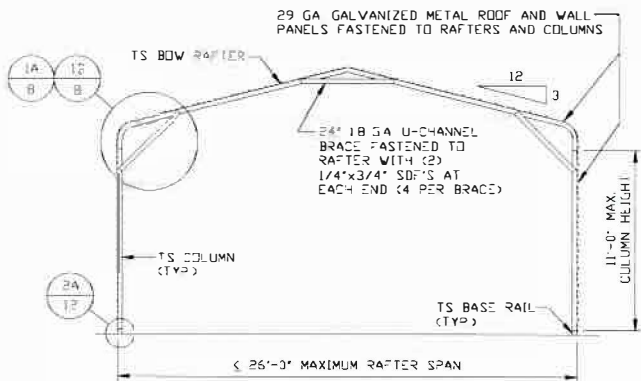
THIS DOCUMENT IS THE PROPERTY OF MOORE AND ASSOCIATES ENGINEERING AND CONSULTING, INC. THE UNAUTHORIZED REPRODUCTION, COPYING, OR OTHERWISE USE OF THIS DOCUMENT IS STRICTLY PROHIBITED AND ANY INFRINGEMENT THEREUPON MAY BE SUBJECT TO LEGAL ACTION.



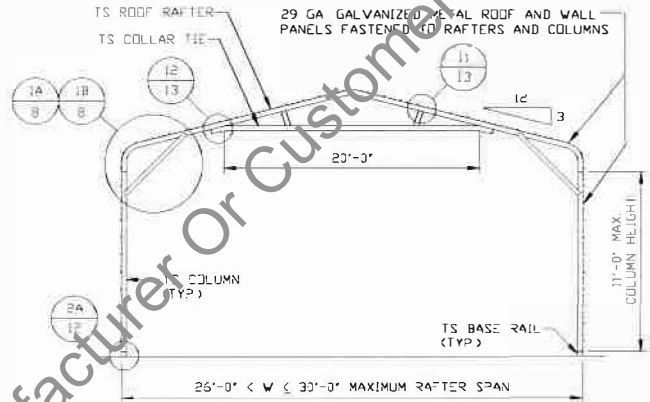
**TYPICAL RAFTER/COLUMN END FRAME SECTION**  
SCALE: NTS



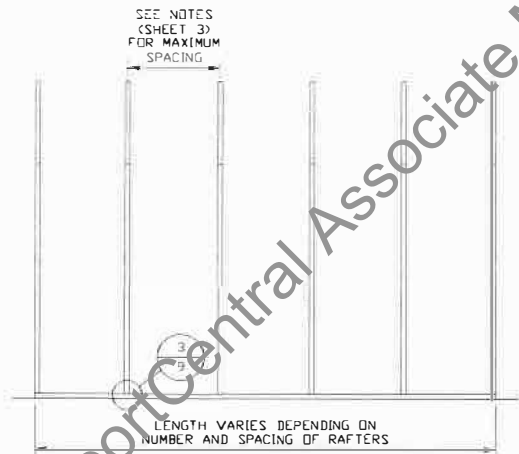
**TYPICAL RAFTER/COLUMN END FRAME SECTION**  
SCALE: NTS



**TYPICAL RAFTER/COLUMN END FRAME SECTION**  
SCALE: NTS



**TYPICAL RAFTER/COLUMN END FRAME SECTION**  
SCALE: NTS



**TYPICAL RAFTER/COLUMN FRAMING SIDE SECTION**  
SCALE: NTS

**MOORE AND ASSOCIATES  
ENGINEERING AND CONSULTING, INC.**

DRAWN BY: JG

CHECKED BY: PDH

PROJECT MGR: WSM

CLIENT: CC

CARPORIT CENTRAL, INC.  
737 SOUTH MAIN STREET  
MOUNT AIRY, NC 27030

30'-0" x 16'-0" ENCLOSED STRUCTURE

DATE: 6-17-21

SHT. 7

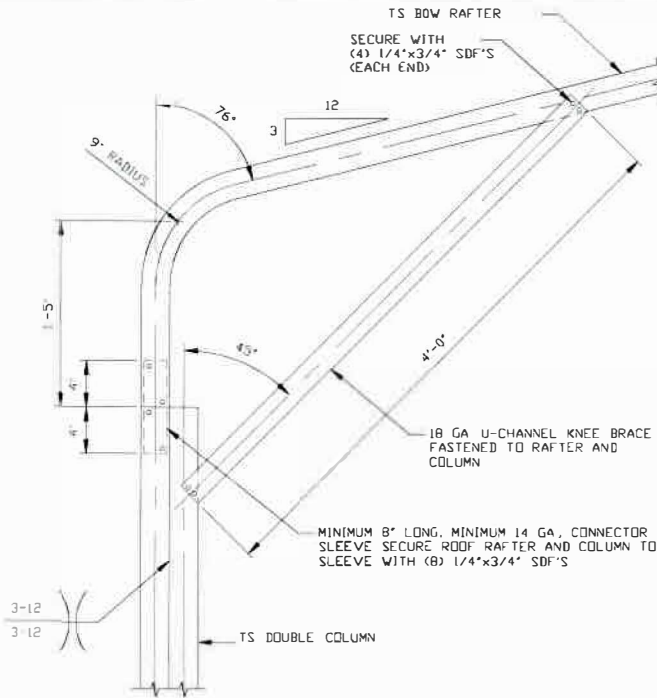
SCALE: NTS

DWG. NO SK-3

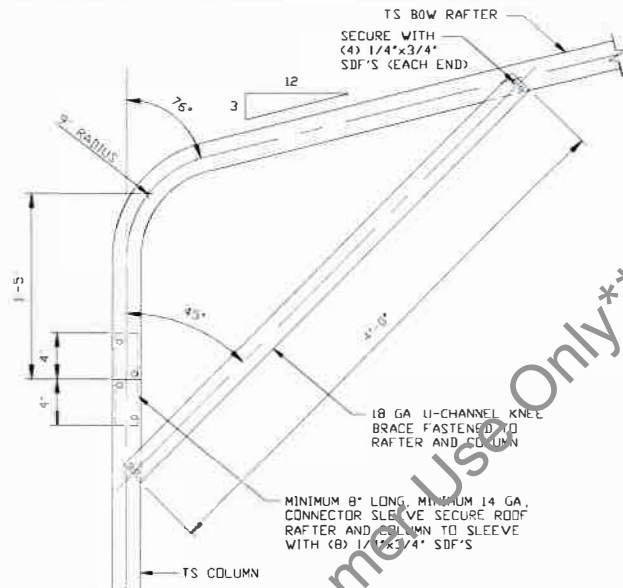
JOB NO: 17171S/18253S/  
20376S/21118S

REV: 3

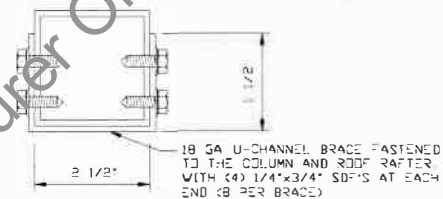
THIS DOCUMENT IS THE PROPERTY OF MOORE AND ASSOCIATES ENGINEERING AND CONSULTING. THE UNAUTHORIZED REPRODUCTION, COPYING, OR OTHERWISE USE OF THIS DOCUMENT IS STRICTLY PROHIBITED AND ANY INFRINGEMENT THEREUPON MAY BE SUBJECT TO LEGAL ACTION.



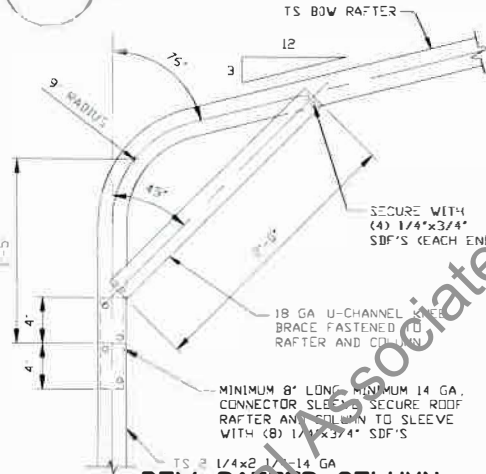
**1**  
**BOW RAFTER COLUMN CONNECTION DETAIL FOR HEIGHTS 11'-0" < TO <= 16'-0"**  
SCALE: NTS



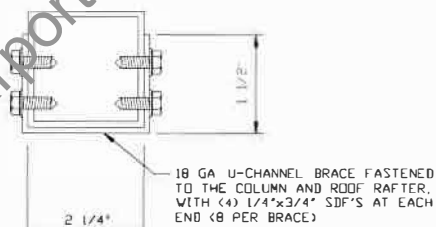
**1A**  
**BOW RAFTER COLUMN CONNECTION DETAIL FOR HEIGHTS 9'-0" < TO <= 11'-0"**  
SCALE: NTS  
NOTE: MAXIMUM COLUMN HEIGHT IS 12'-0" FOR WIND SPEEDS <= 128 MPH.



**BRACE SECTION**  
SCALE: NTS



**1B**  
**BOW RAFTER COLUMN CONNECTION DETAIL FOR HEIGHTS <= 9'-0"**  
SCALE: NTS  
NOTE: KNEE BRACE MUST BE 4'-0" FOR 30'-0" WIDE STRUCTURES



**BRACE SECTION**  
SCALE: NTS

**MOORE AND ASSOCIATES ENGINEERING AND CONSULTING, INC.**

**DRAWN BY: JG**

**CHECKED BY: PDH**

**PROJECT MGR: WSH**

**CLIENT: CC**

CARPORIT CENTRAL, INC.  
737 SOUTH MAIN STREET  
MOUNT AIRY, NC 27030  
30'-0" x 16'-0" ENCLOSED STRUCTURE

**DATE: 6-17-21**

**SHT. 8**

**SCALE: NTS**

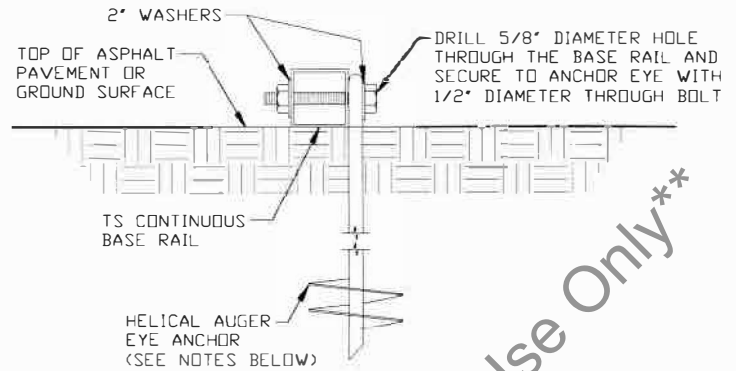
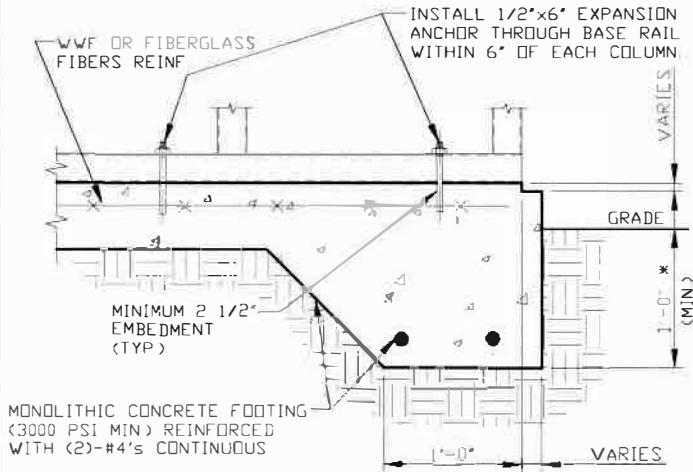
**DWG. NO: SK-3**

**JOB NO: 1717S/18253S/20376S/21118S**

**REV: 3**

THIS DOCUMENT IS THE PROPERTY OF MOORE AND ASSOCIATES ENGINEERING AND CONSULTING. THE UNAUTHORIZED REPRODUCTION, COPYING, OR OTHERWISE USE OF THIS DOCUMENT IS STRICTLY PROHIBITED AND ANY INFRACTION THEREUPON MAY BE SUBJECT TO LEGAL ACTION.

**BASE RAIL ANCHORAGE OPTIONS**



3A

**CONCRETE MONOLITHIC SLAB  
BASE RAIL ANCHORAGE**

SCALE: NTS  
MINIMUM ANCHOR EDGE DISTANCE IS 4"  
\* COORDINATE WITH LOCAL BUILDING CODE/ORD  
REGARDING MINIMUM FROST DEPTH (LENGTH)

3B

**HELICAL AUGER ANCHORAGE**

SCALE: NTS (CAN BE USED FOR ASPHALT)  
\* COORDINATE WITH LOCAL BUILDING CODE/ORD  
REGARDING MINIMUM FROST DEPTH (LENGTH)

**GENERAL NOTES**

NOTE CONCRETE MONOLITHIC SLAB DESIGN BASED ON MINIMUM  
SOIL BEARING CAPACITY OF 1,500 PSF

**CONCRETE:**

CONCRETE SHALL HAVE A MINIMUM SPECIFIED COMPRESSIVE  
STRENGTH OF 3,000 PSI AT 28 DAYS

**COVER OVER REINFORCING STEEL:**

FOR FOUNDATIONS, MINIMUM CONCRETE COVER OVER REINFORCING  
BARS SHALL BE PER ACI-318:  
3" IN FOUNDATIONS WHERE THE CONCRETE IS CAST AGAINST AND  
PERMANENTLY IN CONTACT WITH THE EARTH OR EXPOSED TO THE  
EARTH OR WEATHER, AND 1 1/2" ELSEWHERE

**REINFORCING STEEL:**

THE TURNDOWN REINFORCING STEEL SHALL BE ASTM A615 GRADE  
60 THE SLAB REINFORCEMENT SHALL BE WELDED WIRE FABRIC  
MEETING ASTM A185 OR FIBERGLASS FIBER REINFORCEMENT

**REINFORCEMENT MAY BE BENT IN THE  
SHOP OR THE FIELD PROVIDED:**

- 1 REINFORCEMENT IS BENT COLD
- 2 THE DIAMETER OF THE BEND, MEASURED ON THE INSIDE OF THE  
BAR, IS NOT LESS THAN SIX-BAR DIAMETERS
- 3 REINFORCEMENT PARTIALLY EMBEDDED IN CONCRETE SHALL NOT  
BE FIELD BENT

**HELICAL AUGER ANCHOR NOTES:**

- 1 FOR VERY DENSE AND/OR CEMENTED SANDS, COARSE GRAVEL  
AND COBBLES, CALICHE, PRELOADED SILTS AND CLAYS, USE  
MINIMUM (2) 4" HELICES WITH MINIMUM 30" EMBEDMENT OR  
SINGLE 6" HELIX WITH MINIMUM 50" EMBEDMENT
- 2 FOR CORAL USE MINIMUM (2) 4" HELICES WITH MINIMUM  
30" EMBEDMENT OR SINGLE 6" HELIX WITH MINIMUM  
50" EMBEDMENT
- 3 FOR MEDIUM DENSE COARSE SANDS, SANDY GRAVELS, VERY  
STIFF SILTS AND CLAYS USE MINIMUM (2) 4" HELICES WITH  
MINIMUM 30" EMBEDMENT OR SINGLE 6" HELIX WITH MINIMUM  
50" EMBEDMENT
- 4 FOR LOOSE TO MEDIUM DENSE SANDS, FIRM TO STIFF CLAYS AND  
SILTS ALLUVIAL FILL, USE MINIMUM (2) 6" HELICES WITH MINIMUM  
50" EMBEDMENT
- 5 FOR VERY LOOSE TO MEDIUM DENSE SANDS, FIRM TO STIFFER  
CLAYS AND SILTS, ALLUVIAL FILL, USE MINIMUM (2) 8" HELICES  
WITH MINIMUM 60" EMBEDMENT

**MOORE AND ASSOCIATES  
ENGINEERING AND CONSULTING, INC.**

**DRAWN BY: JG**

**CHECKED BY: PDH**

**PROJECT MGR: WSM**

**CLIENT: CC**

CARPORIT CENTRAL, INC.  
737 SOUTH MAIN STREET  
MOUNT AIRY, NC 27030  
30'-0" x 16'-0" ENCLOSED STRUCTURE

**DATE: 6-17-21**

**SHT. 9**

**SCALE: NTS**

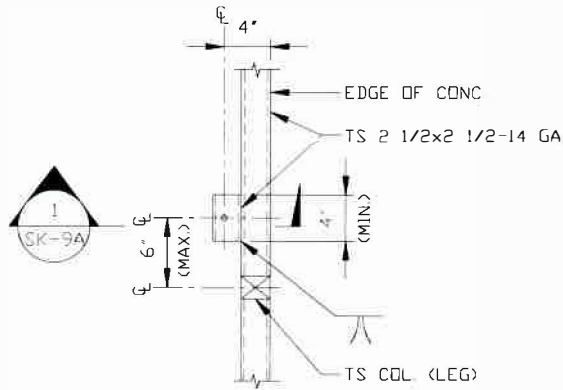
**DWG. NO: SK-3**

**JOB NO: 1717S/18253S/  
20376S/21118S**

**REV: 3**

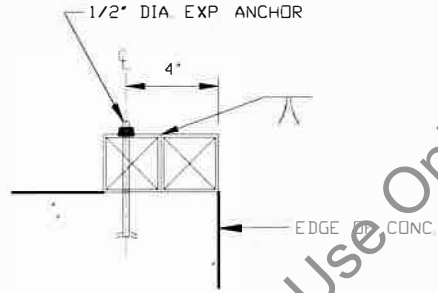
THIS DOCUMENT IS THE PROPERTY OF MOORE AND ASSOCIATES ENGINEERING AND  
CONSULTING. THE UNAUTHORIZED REPRODUCTION, COPYING, OR OTHERWISE USE OF  
THIS DOCUMENT IS STRICTLY PROHIBITED AND ANY INFRINGEMENT THEREUPON MAY  
BE SUBJECT TO LEGAL ACTION.

**BASE RAIL ANCHORAGE OPTION**



**TYPICAL ANCHOR DETAIL WHEN BASE RAIL IS NEAR EDGE OF CONCRETE**

SCALE: NTS



**SECTION**  
SCALE: NTS

**\*\* CarportCentral Associate Manufacturer Or Customer Use Only\*\***

**MOORE AND ASSOCIATES  
ENGINEERING AND CONSULTING, INC.**

**DRAWN BY: JG**

**CHECKED BY: PDH**

**PROJECT MGR: WSM**

**CLIENT: CC**

CARPOT CENTRAL, INC.  
737 SOUTH MAIN STREET  
MOUNT AIRY, NC 27030  
30'-0" x 16'-0" ENCLOSED STRUCTURE

**DATE: 6-17-21**

**SHT. 9A**

**SCALE: NTS**

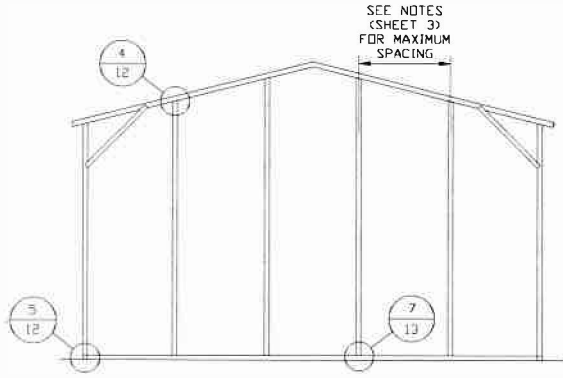
**DWG. NO: SK-3**

**JOB NO: 1717S/18253S/  
20376S/21118S**

**REV: 3**

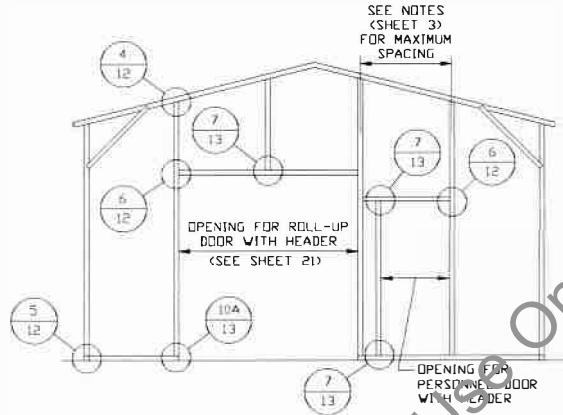
THIS DOCUMENT IS THE PROPERTY OF MOORE AND ASSOCIATES ENGINEERING AND CONSULTING. THE UNAUTHORIZED REPRODUCTION, COPYING, OR OTHERWISE USE OF THIS DOCUMENT IS STRICTLY PROHIBITED AND ANY INFRINGEMENT THEREUPON MAY BE SUBJECT TO LEGAL ACTION.

**BOX EAVE RAFTER END WALL AND SIDE WALL FRAMING SECTIONS**



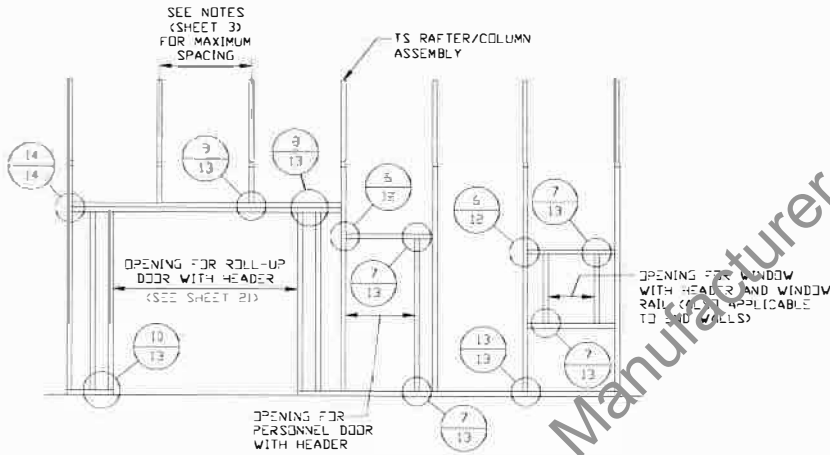
**TYPICAL BOX EAVE RAFTER END WALL FRAMING SECTION**

SCALE: NTS



**TYPICAL BOX EAVE RAFTER END WALL OPENINGS FRAMING SECTION**

SCALE: NTS



**TYPICAL BOX EAVE RAFTER SIDE WALL OPENINGS FRAMING SECTION**

SCALE: NTS

**\*\* CarportCentral Associate Manufacturer Or Customer Use Only\*\***

**MOORE AND ASSOCIATES  
ENGINEERING AND CONSULTING, INC.**

**DRAWN BY: JG**

**CHECKED BY: PDH**

**PROJECT MGR: WSM**

**CLIENT: CC**

CARPOT CENTRAL, INC.  
737 SOUTH MAIN STREET  
MOUNT AIRY, NC 27030

30'-0" x 16'-0" ENCLOSED STRUCTURE

**DATE: 6-17-21**

**SHT. 10**

**SCALE: NTS**

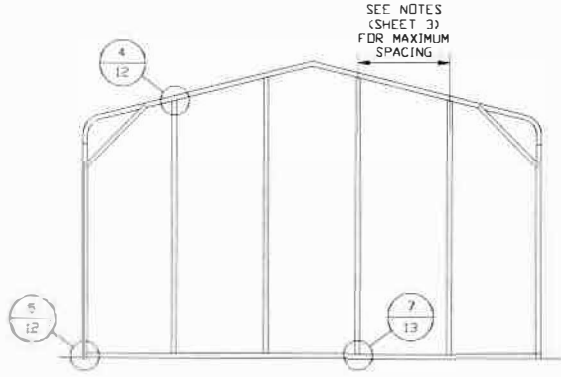
**DWG. NO: SK-3**

**JOB NO: 17171S/18253S/  
20376S/21118S**

**REV: 3**

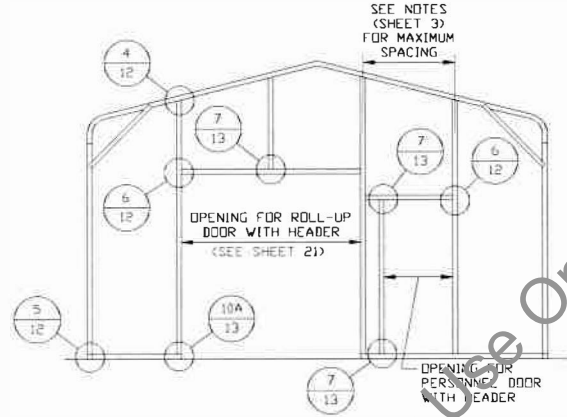
THIS DOCUMENT IS THE PROPERTY OF MOORE AND ASSOCIATES ENGINEERING AND CONSULTING. THE UNAUTHORIZED REPRODUCTION, COPYING, OR OTHERWISE USE OF THIS DOCUMENT IS STRICTLY PROHIBITED AND ANY INFRINGEMENT THEREUPON MAY BE SUBJECT TO LEGAL ACTION.

**BOW RAFTER END WALL AND SIDE WALL FRAMING SECTIONS**



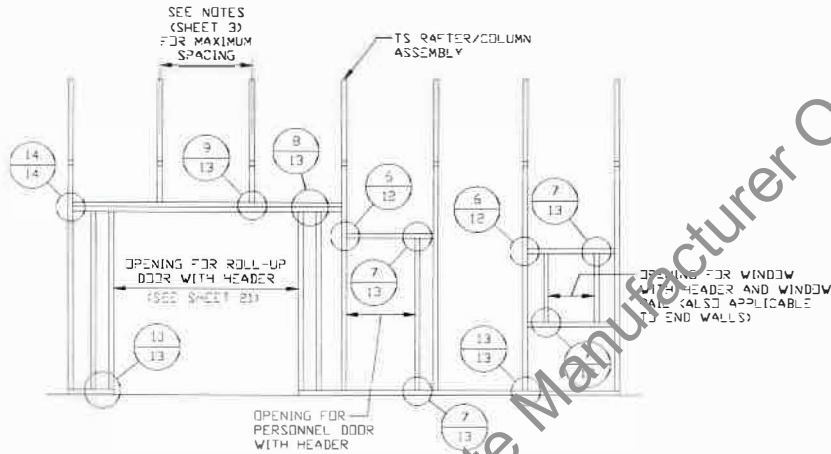
**TYPICAL BOW RAFTER  
END WALL FRAMING SECTION**

SCALE: NTS



**TYPICAL BOW RAFTER END  
WALL OPENINGS FRAMING SECTION**

SCALE: NTS



**TYPICAL BOW RAFTER SIDE  
WALL OPENINGS FRAMING SECTION**

SCALE: NTS

**\*\* CarportCentral Associate Manufacturer Or Customer Use Only\*\***

**MOORE AND ASSOCIATES  
ENGINEERING AND CONSULTING, INC.**

**DRAWN BY: JG**

**CHECKED BY: PDH**

**PROJECT MGR: WSH**

**CLIENT: CC**

**CARPORNT CENTRAL, INC.  
737 SOUTH MAIN STREET  
MOUNT AIRY, NC 27030  
30'-0" x 16'-0" ENCLOSED STRUCTURE**

**DATE: 6-17-21**

**SHT. 11**

**SCALE: NTS**

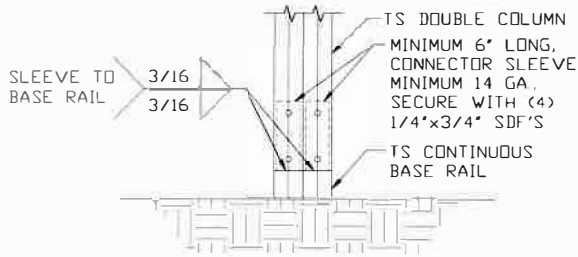
**DWG. NO: SK-3**

**JOB NO: 17171S/18253S/  
20376S/21118S**

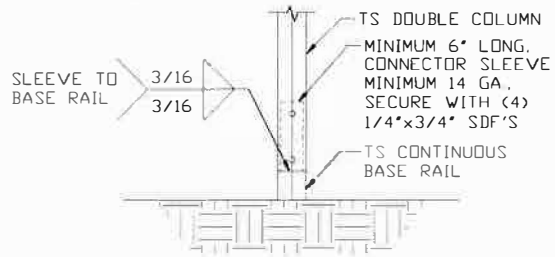
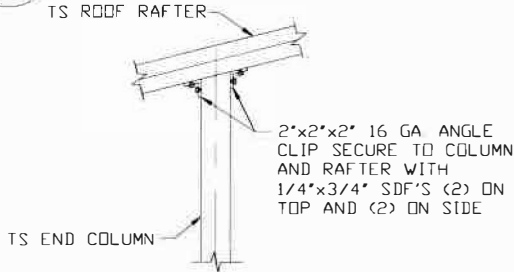
**REV: 3**

**THIS DOCUMENT IS THE PROPERTY OF MOORE AND ASSOCIATES ENGINEERING AND CONSULTING. THE UNAUTHORIZED REPRODUCTION, COPYING, OR OTHERWISE USE OF THIS DOCUMENT IS STRICTLY PROHIBITED AND ANY INFRACTION THEREOF MAY BE SUBJECT TO LEGAL ACTION.**

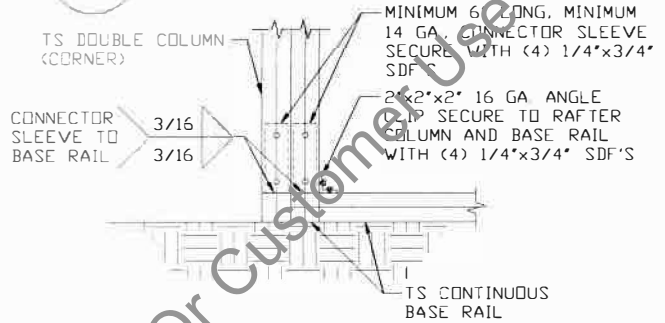
**CONNECTION DETAILS**



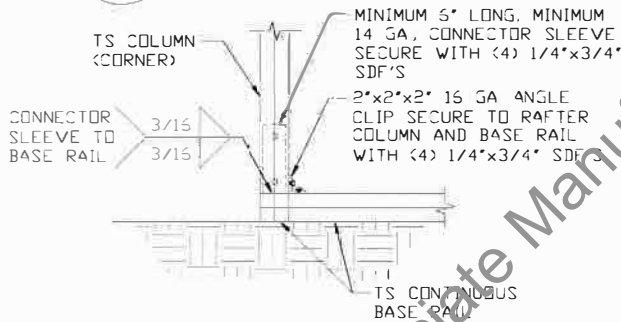
**2** RAFTER COLUMN/BASE RAIL CONNECTION DETAIL  
SCALE: NTS



**2A** RAFTER COLUMN/BASE RAIL CONNECTION DETAIL  
SCALE: NTS

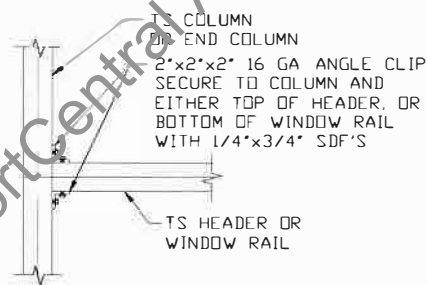


**4** END COLUMN/RAFTER CONNECTION DETAIL  
SCALE: NTS



**5** END COLUMN/BASE RAIL CONNECTION DETAIL  
SCALE: NTS

**5A** END COLUMN/BASE RAIL CONNECTION DETAIL  
SCALE: NTS



**6** COLUMN OR WINDOW RAIL TO POST/TS GIRTS CONNECTION DETAIL  
SCALE: NTS

MOORE AND ASSOCIATES  
ENGINEERING AND CONSULTING, INC.

DRAWN BY: JG

CHECKED BY: PDH

PROJECT MGR: WSM

CLIENT: CC

CARPOT CENTRAL, INC.  
737 SOUTH MAIN STREET  
MOUNT AIRY, NC 27030

30'-0" x 16'-0" ENCLOSED STRUCTURE

DATE: 6-17-21

SHT. 12

SCALE: NTS

DWG. NO: SK-3

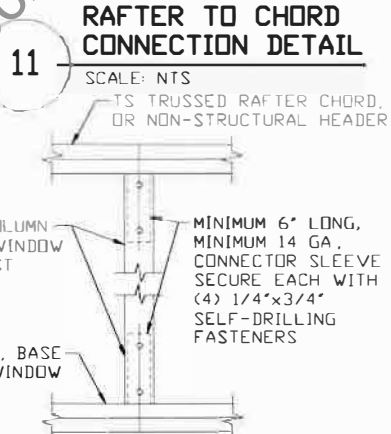
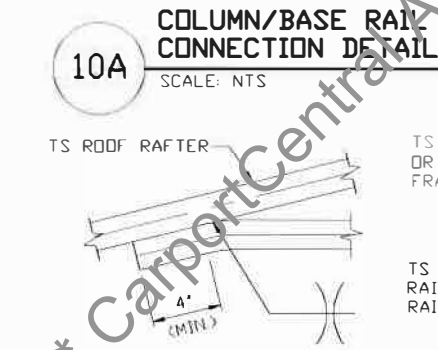
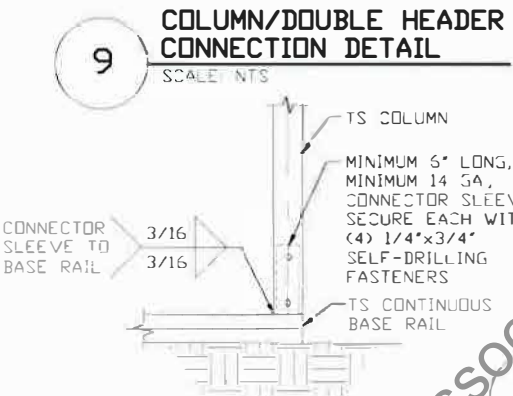
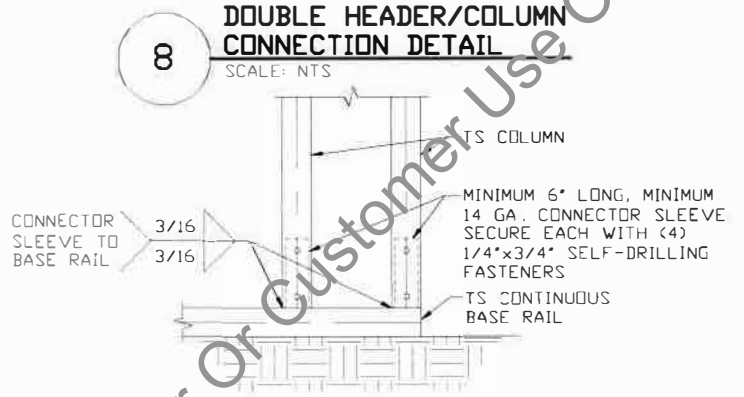
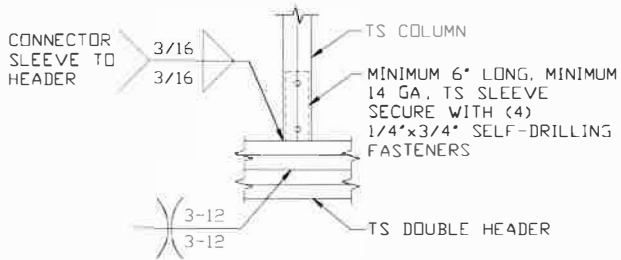
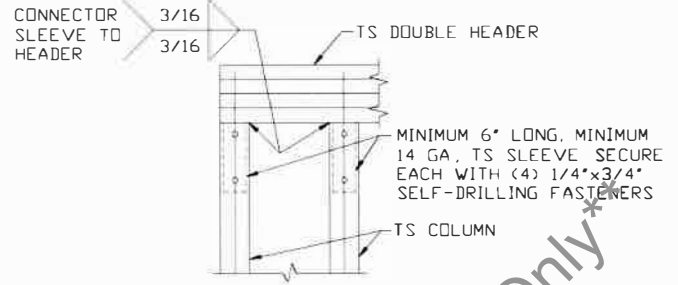
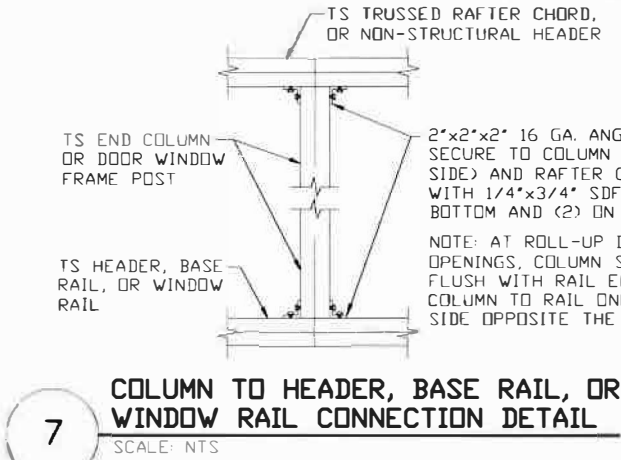
JOB NO: 17171S/18253S/  
20376S/21118S

REV: 3

THIS DOCUMENT IS THE PROPERTY OF MOORE AND ASSOCIATES ENGINEERING AND CONSULTING. THE UNAUTHORIZED REPRODUCTION, COPYING, OR OTHERWISE USE OF THIS DOCUMENT IS STRICTLY PROHIBITED AND ANY VIOLATION THEREOF MAY BE SUBJECT TO LEGAL ACTION.



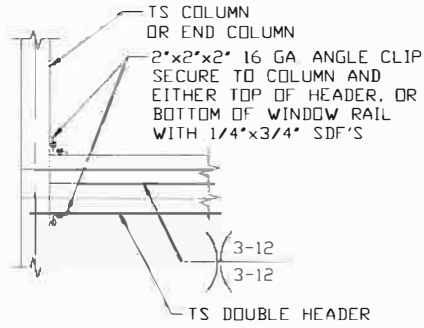
**CONNECTION DETAILS**



<b>MOORE AND ASSOCIATES ENGINEERING AND CONSULTING, INC.</b>	DRAWN BY: JG	CARPORT CENTRAL, INC. 737 SOUTH MAIN STREET MOUNT AIRY, NC 27030		
	CHECKED BY: PDH	30'-0" x 16'-0" ENCLOSED STRUCTURE		
PROJECT MGR: WSM	DATE: 6-17-21	SCALE: NTS	JOB NO: 17171S/18253S/ 20376S/21118S	
CLIENT: CC	SHT. 13	DWG. NO: SK-3	REV: 3	

THIS DOCUMENT IS THE PROPERTY OF MOORE AND ASSOCIATES ENGINEERING AND CONSULTING, INC. THE UNAUTHORIZED REPRODUCTION, COPYING, OR OTHERWISE USE OF THIS DOCUMENT IS STRICTLY PROHIBITED AND ANY INFRINGEMENT THEREUPON MAY BE SUBJECT TO LEGAL ACTION.

**CONNECTION DETAILS**



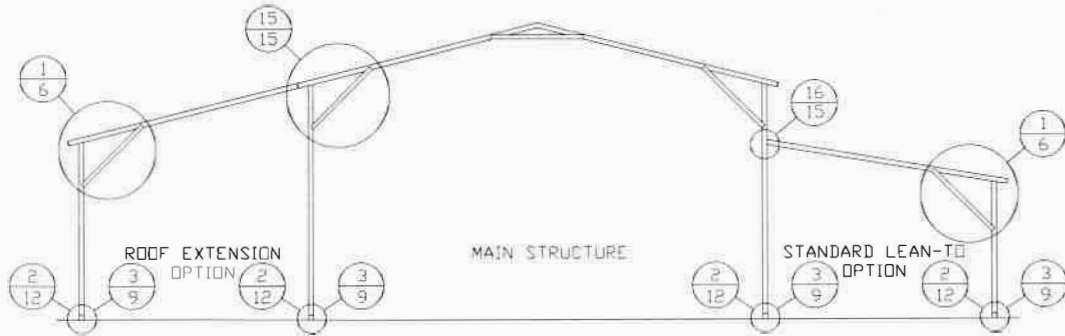
14

**COLUMN/DOUBLE HEADER CONNECTION DETAIL**  
SCALE: NTS

**\*\* CarportCentral Associate Manufacturer Or Customer Use Only\*\***

<b>MOORE AND ASSOCIATES ENGINEERING AND CONSULTING, INC.</b>	DRAWN BY: JG	CARPORT CENTRAL, INC. 737 SOUTH MAIN STREET MOUNT AIRY, NC 27030 30'-0" x 16'-0" ENCLOSED STRUCTURE		
	CHECKED BY: PDH			
THIS DOCUMENT IS THE PROPERTY OF MOORE AND ASSOCIATES ENGINEERING AND CONSULTING. THE UNAUTHORIZED REPRODUCTION, COPYING, OR OTHERWISE USE OF THIS DOCUMENT IS STRICTLY PROHIBITED AND ANY INFRINGEMENT THEREUPON MAY BE SUBJECT TO LEGAL ACTION.	PROJECT MGR: WSM	DATE: 6-17-21	SCALE: NTS	JOB NO: 1717S/18233S/ 20376S/21118S
	CLIENT: CC	SHT. 14	DWG. NO: SK-3	REV: 3

**BOX EAVE RAFTER LEAN-TO OPTIONS**



**TYPICAL BOX EAVE RAFTER LEAN-TO OPTIONS FRAMING SECTION (BOTH OPTIONS SHOWN)**

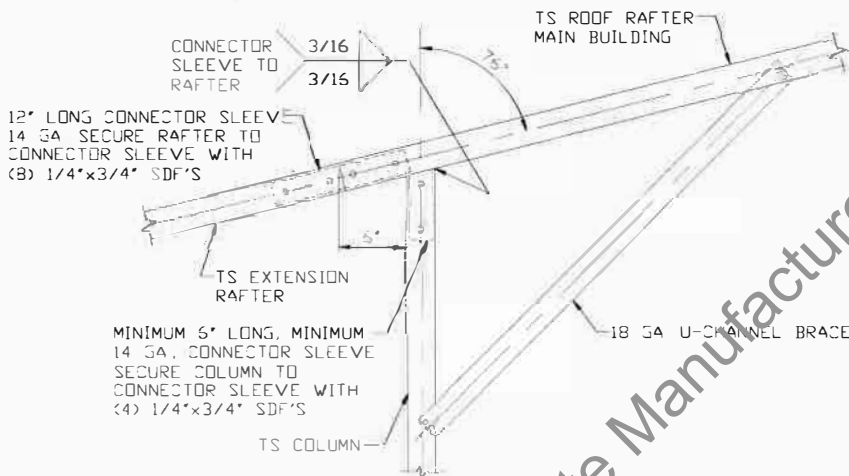
SCALE: NTS

(MAXIMUM WIDTH OF SINGLE MEMBER ROOF EXTENSION LEAN-TO IS 12'-0")

NOTE: FOR 12'-0" WIDE LEAN-TO KNEE BRACE MUST BE 4'-0".

MAIN BUILDING COLUMNS WITH LEAN-TO OR ROOF EXTENSION ATTACHED ARE REQUIRED TO BE DOUBLE COLUMNS FOR EAVE HEIGHTS 9'-0" < TO ≤ 16'-0"

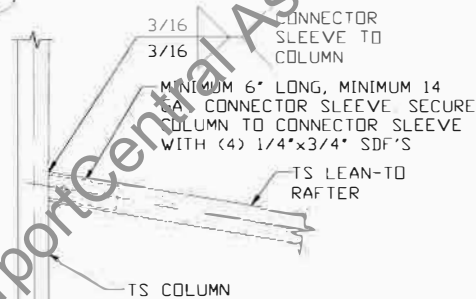
MAIN BUILDING COLUMNS WITH LEAN-TO OR ROOF EXTENSION ATTACHED ARE REQUIRED TO BE SINGLE COLUMNS FOR EAVE HEIGHTS ≤ 9'-0"



**SIDE EXTENSION RAFTER COLUMN DETAIL FOR SPANS ≤ 12'-0"**

15

SCALE: NTS



**LEAN-TO RAFTER TO RAFTER COLUMN CONNECTION DETAIL FOR RAFTER SPANS ≤ 12'-0"**

16

SCALE: NTS

**MOORE AND ASSOCIATES  
ENGINEERING AND CONSULTING, INC.**

DRAWN BY: JG

CHECKED BY: PDH

PROJECT MGR: WSM

CLIENT: CC

CARPOR CENTRAL, INC.  
737 SOUTH MAIN STREET  
MOUNT AIRY, NC 27030  
30'-0" x 16'-0" ENCLOSED STRUCTURE

DATE: 6-17-21

SHT. 15

SCALE: NTS

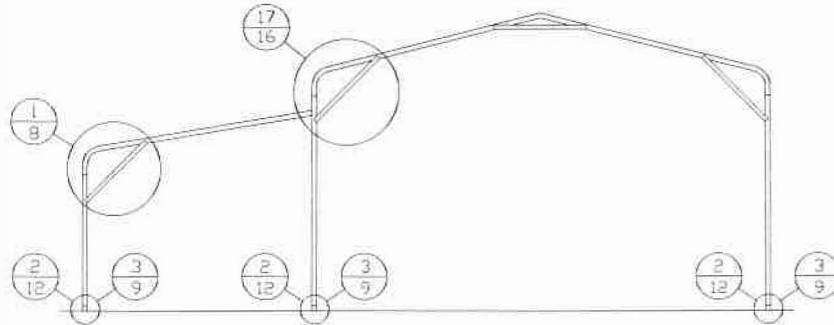
DWG. NO: SK-3

JOB NO: 17171S/18253S/  
20376S/21118S

REV: 3

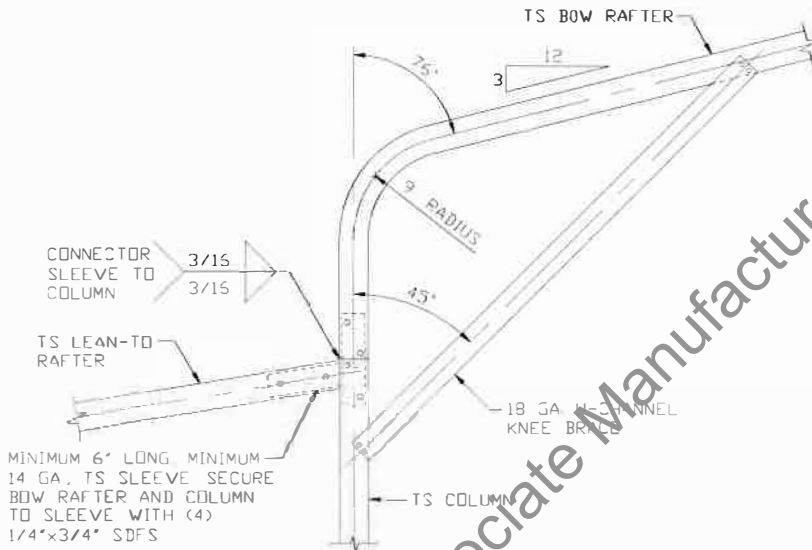
THIS DOCUMENT IS THE PROPERTY OF MOORE AND ASSOCIATES ENGINEERING AND CONSULTING. THE UNAUTHORIZED REPRODUCTION, COPYING, OR OTHERWISE USE OF THIS DOCUMENT IS STRICTLY PROHIBITED AND ANY INFINGEMENT THEREUPON MAY BE SUBJECT TO LEGAL ACTION.

**BOW RAFTER LEAN-TO OPTION**



**TYPICAL BOW RAFTER LEAN-TO OPTION FRAMING SECTION**

SCALE: NTS  
 (MAXIMUM WIDTH OF SINGLE MEMBER ROOF EXTENSION LEAN-TO IS 12'-0")  
 NOTE: FOR 12'-0" WIDE LEAN-TO KNEE BRACE MUST BE 4'-0"  
 MAIN BUILDING COLUMNS WITH LEAN-TO OR ROOF EXTENSION ATTACHED ARE REQUIRED TO BE DOUBLE COLUMNS FOR EAVE HEIGHTS 9'-0" < TO < 16'-0"  
 MAIN BUILDING COLUMNS WITH LEAN-TO OR ROOF EXTENSION ATTACHED ARE REQUIRED TO BE SINGLE COLUMNS FOR EAVE HEIGHTS < 9'-0"



**LEAN-TO RAFTER TO RAFTER COLUMN CONNECTION DETAIL FOR RAFTER SPANS ≤ 12'-0"**

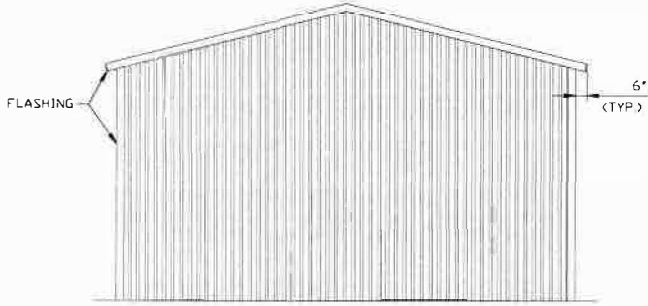
17  
SCALE: NTS

**\*\* CarportCentral Associate Manufacturer Or Customer Use Only\*\***

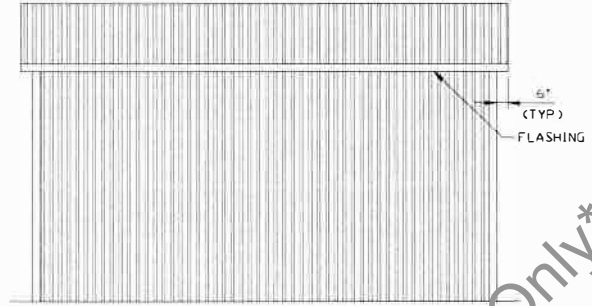
<b>MOORE AND ASSOCIATES ENGINEERING AND CONSULTING, INC.</b>	DRAWN BY: JG	CARPORT CENTRAL, INC. 737 SOUTH MAIN STREET MOUNT AIRY, NC 27030 30'-0" x 16'-0" ENCLOSED STRUCTURE		
	CHECKED BY: PDH	PROJECT MGR: WSM	DATE: 6-17-21	SCALE: NTS
CLIENT: CC	SHT. 16	DWG. NO SK-3	JOB NO: 17171S/18253S/ 20376S/21118S	REV: 3

THIS DOCUMENT IS THE PROPERTY OF MOORE AND ASSOCIATES ENGINEERING AND CONSULTING, INC. UNAUTHORIZED REPRODUCTION, COPYING, OR OTHERWISE USE OF THIS DOCUMENT IS STRICTLY PROHIBITED AND ANY OFFENSE THEREOF MAY BE SUBJECT TO LEGAL ACTION.

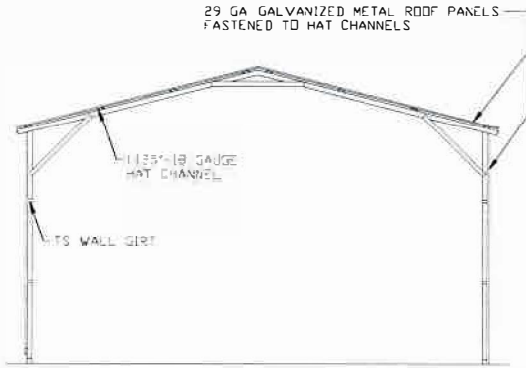
**BOX EAVE RAFTER VERTICAL ROOF OPTION**



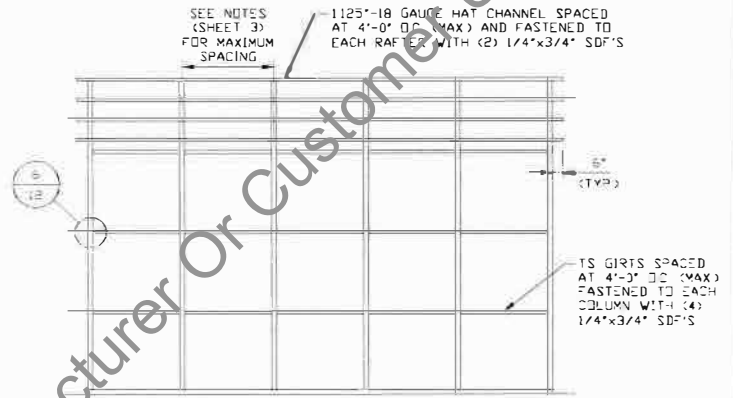
**TYPICAL END ELEVATION  
VERTICAL ROOF**  
SCALE: NTS



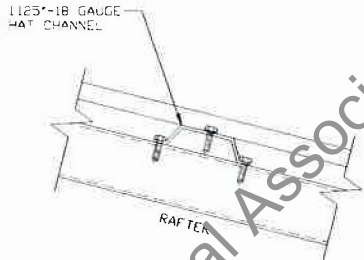
**TYPICAL SIDE ELEVATION  
VERTICAL ROOF**  
SCALE: NTS



**TYPICAL SECTION  
VERTICAL ROOF OPTION**  
SCALE: NTS



**TYPICAL FRAMING SECTION  
VERTICAL ROOF OPTION**  
SCALE: NTS



**ROOF PANEL ATTACHMENT**  
(ALTERNATE FOR VERTICAL ROOF PANELS)  
SCALE: NTS

**\*\* CarportCentral Associate Manufacturer Or Customer Use Only\*\***

**MOORE AND ASSOCIATES  
ENGINEERING AND CONSULTING, INC.**

**DRAWN BY: JG**

**CHECKED BY: PDH**

**PROJECT MGR: WSM**

**CLIENT: CC**

CARPOT CENTRAL, INC.  
737 SOUTH MAIN STREET  
MOUNT AIRY, NC 27030

30'-0" x 16'-0" ENCLOSED STRUCTURE

**DATE: 6-17-21**

**SHT. 17**

**SCALE: NTS**

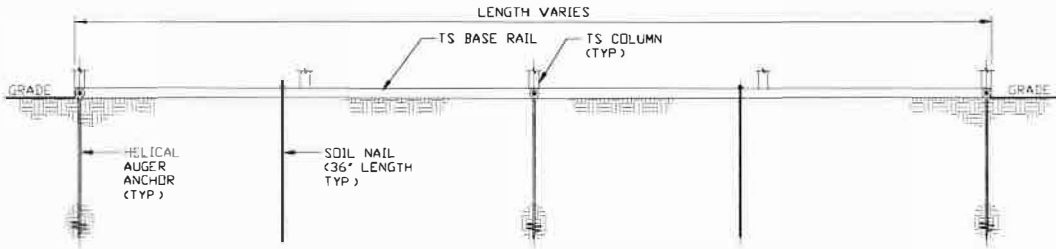
**DWG. NO: SK-3**

**JOB NO: 17171S/18253S/  
20376S/21118S**

**REV: 3**

THIS DOCUMENT IS THE PROPERTY OF MOORE AND ASSOCIATES ENGINEERING AND CONSULTING. THE UNAUTHORIZED REPRODUCTION, COPYING, OR OTHERWISE USE OF THIS DOCUMENT IS STRICTLY PROHIBITED AND ANY INFRINGEMENT THEREUPON MAY BE SUBJECT TO LEGAL ACTION.

**OPTIONAL BASE RAIL ON GRADE APPLICATION**

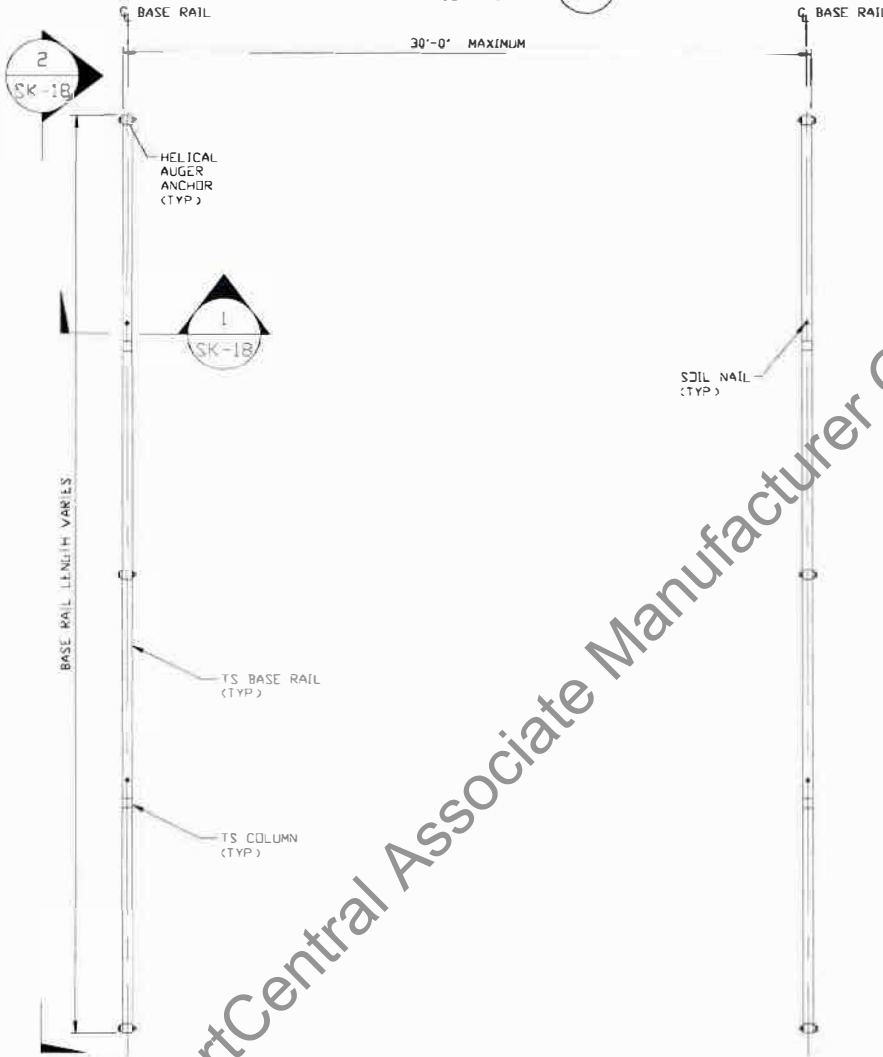


**SECTION 2**  
SCALE: NTS  
SK-18



**SECTION 1**  
SCALE: NTS  
SK-18

NOTE: SEE DETAIL 3B SHEET 9 FOR HELICAL AUGER ANCHOR DETAIL



**BASE RAIL PLAN**  
SCALE: NTS

HELIX ANCHOR	
SIZE	SPACING
*LENGTH	
VARIES	10'-0" (AT EVERY OTHER COLUMN)

**MOORE AND ASSOCIATES  
ENGINEERING AND CONSULTING, INC.**

DRAWN BY: JG

CHECKED BY: PDH

PROJECT MGR: WSH

CLIENT: CC

CARPORIT CENTRAL, INC.  
737 SOUTH MAIN STREET  
MOUNT AIRY, NC 27030  
30'-0" x 16'-0" ENCLOSED STRUCTURE

DATE: 6-17-21

SHT. 18

SCALE: NTS

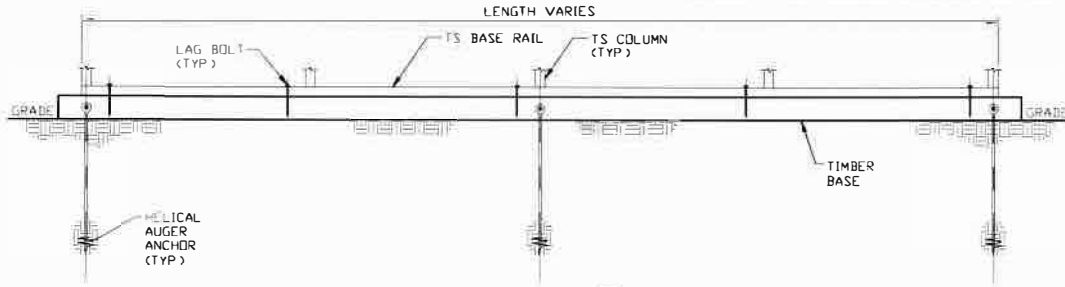
DWG. NO: SK-3

JOB NO: 17171S/18253S/  
20376S/2118S

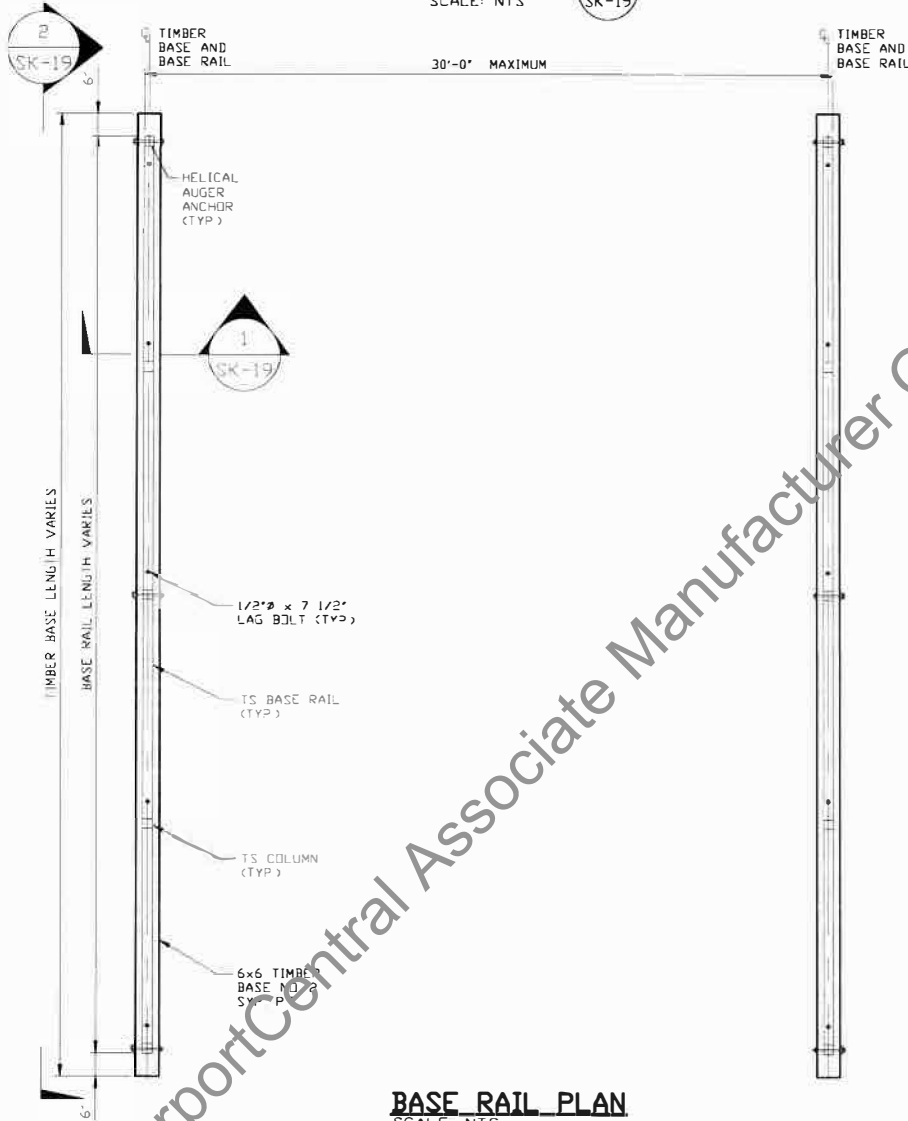
REV: 3

THIS DOCUMENT IS THE PROPERTY OF MOORE AND ASSOCIATES ENGINEERING AND CONSULTING. THE UNAUTHORIZED REPRODUCTION, COPYING, OR OTHERWISE USE OF THIS DOCUMENT IS STRICTLY PROHIBITED AND ANY OFFENSEMENT THEREUPON MAY BE SUBJECT TO LEGAL ACTION.

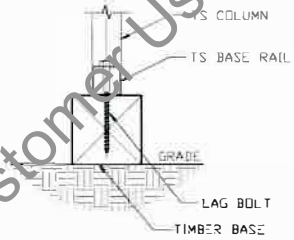
**OPTIONAL BASE RAIL ON TIMBER BEAM**



**SECTION 2**  
SCALE: NTS  
SK-19



**BASE RAIL PLAN**  
SCALE: NTS



**SECTION 1**  
SCALE: NTS  
SK-19

NOTE SEE DETAIL 3B SHEET 9  
FOR HELICAL AUGER ANCHOR  
DETAIL

** HELIX ANCHOR	
SIDE LENGTH	SPACING
VARIES	10'-0" (AT EVERY OTHER COLUMN)

**MOORE AND ASSOCIATES  
ENGINEERING AND CONSULTING, INC.**

**DRAWN BY: JG**

**CHECKED BY: PDH**

**PROJECT MGR: WSM**

**CLIENT: CC**

CARPORIT CENTRAL, INC.  
737 SOUTH MAIN STREET  
MOUNT AIRY, NC 27030  
30'-0" x 16'-0" ENCLOSED STRUCTURE

**DATE: 6-17-21**

**SHT. 19**

**SCALE: NTS**

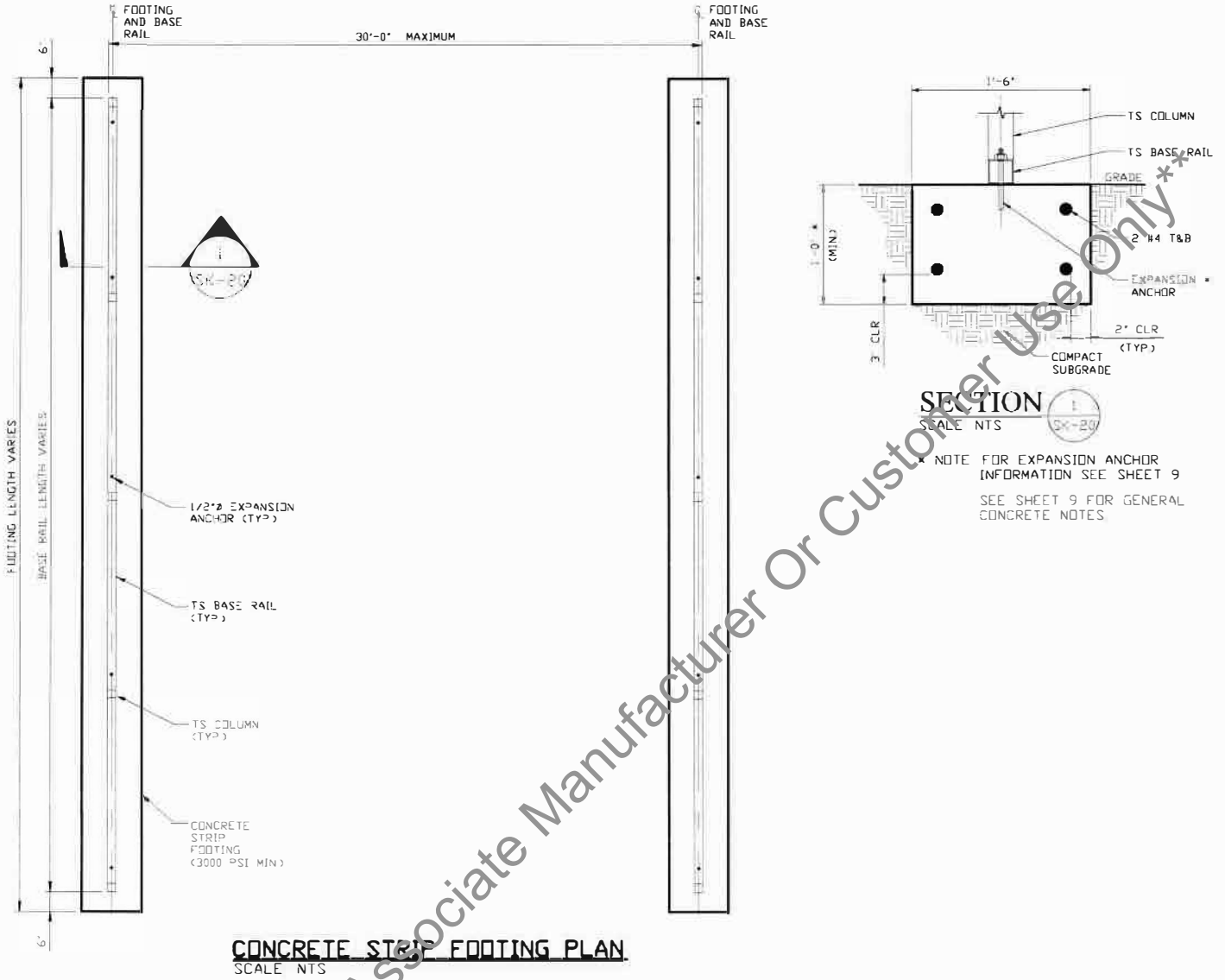
**DWG. NO SK-3**

**JOB NO: 17171S/18253S/  
20376S/2111BS**

**REV: 3**

THIS DOCUMENT IS THE PROPERTY OF MOORE AND ASSOCIATES ENGINEERING AND CONSULTING. THE UNAUTHORIZED REPRODUCTION, COPYING, OR OTHERWISE USE OF THIS DOCUMENT IS STRICTLY PROHIBITED AND ANY INFRINGEMENT THEREUPON MAY BE SUBJECT TO LEGAL ACTION.

**OPTIONAL CONCRETE STRIP FOOTING**



**MOORE AND ASSOCIATES  
ENGINEERING AND CONSULTING, INC.**

DRAWN BY: JG

CHECKED BY: PDH

PROJECT MGR: WSM

CLIENT: CC

CARPORNT CENTRAL, INC.  
737 SOUTH MAIN STREET  
MOUNT AIRY, NC 27030

30'-0" x 16'-0" ENCLOSED STRUCTURE

DATE: 6-17-21

SHT. 20

SCALE: NTS

DWG. NO: SK-3

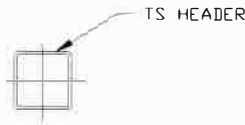
JOB NO: 17171S/18253S/  
20376S/21118S

REV: 3

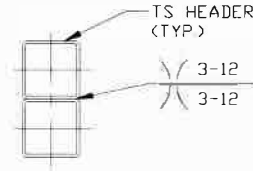
THIS DOCUMENT IS THE PROPERTY OF MOORE AND ASSOCIATES ENGINEERING AND CONSULTING. THE UNAUTHORIZED REPRODUCTION, COPYING, OR OTHERWISE USE OF THIS DOCUMENT IS STRICTLY PROHIBITED AND ANY INFRINGEMENT THEREUPON MAY BE SUBJECT TO LEGAL ACTION.



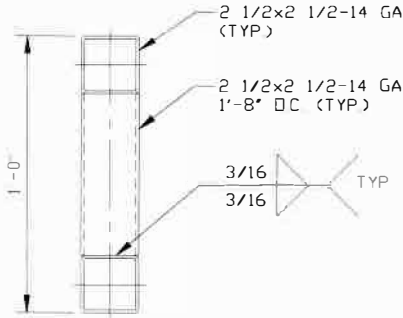
**SIDE WALL HEADER OPTIONS**



**HEADER DETAIL FOR OPENINGS  
≤ 7'-0"**  
SCALE: NTS

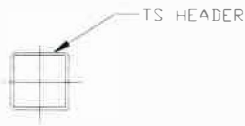


**HEADER DETAIL FOR OPENINGS  
7'-0" < LENGTH ≤ 12'-0"**  
SCALE: NTS

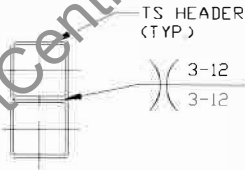


**HEADER DETAIL FOR  
OPENINGS 12'-0" < LENGTH ≤ 20'-0"**  
SCALE: NTS

**END WALL HEADER OPTIONS**



**HEADER DETAIL FOR OPENINGS  
≤ 12'-0"**  
SCALE: NTS



**HEADER DETAIL FOR OPENINGS  
12'-0" < LENGTH ≤ 20'-0"**  
SCALE: NTS

MOORE AND ASSOCIATES  
ENGINEERING AND CONSULTING, INC.

DRAWN BY: JG

CHECKED BY: PDH

PROJECT MGR: WSM

CLIENT: CC

CARPOT CENTRAL, INC.  
737 SOUTH MAIN STREET  
MOUNT AIRY, NC 27030

30'-0" x 16'-0" ENCLOSED STRUCTURE

DATE: 6-17-21

SHT. 21

SCALE: NTS

DWG. NO: SK-3

JOB NO: 17171S/18253S/  
20376S/21118S

REV: 3

THIS DOCUMENT IS THE PROPERTY OF MOORE AND ASSOCIATES ENGINEERING AND CONSULTING, INC. UNAUTHORIZED REPRODUCTION, COPYING, OR OTHERWISE USE OF THIS DOCUMENT IS STRICTLY PROHIBITED AND ANY VIOLATION THEREOF MAY BE SUBJECT TO LEGAL ACTION.