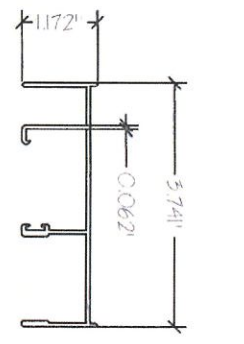


- Concrete Check List:
- saw cut
 - pour over slab
 - found. underpin
 - anchor bolts
 - remove slab
 - visquine & gravel
 - foundation
 - remove brick steps

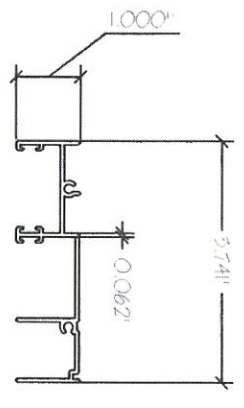
Concrete trench and slab to be a monolithic pour

Concrete to be poured larger than sunroom to allow
2" ledge around perimeter per the engineering spec sheets

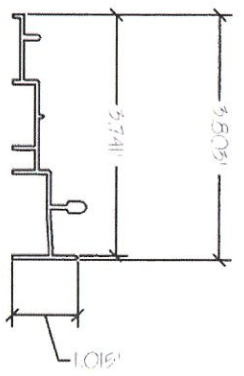
| | | | | | | | | | | |
|---|---|--|---|--|--|--|--|--|---|--|
| <p>CODES</p> <p>2018 N.C. Residential Code</p> | <p>CHAMPION</p> <p>Modular aluminum construction. Seasonal, unheated, non-habitable space. Framing to be white aluminum. Exterior panel to be white. Interior panel to be white.</p> | | <p>CHAMPION PATIO ROOMS 4018 Patriot Dr. Suite 120 Durham, NC 27703 919-460-6632</p> <p>PATIO ROOM MANAGER JOSH DELPIERRE</p> | | <p>RESIDENCE Sally Wilson 614 Old Stage Rd. Coats, NC 27521 919-820-8528</p> <p>CUSTOMER ID NO. 7000001293</p> | | <p>SCALE : 1/4" = 1'</p> <p>DATE 01/14/2022</p> <p>SHEET NO. 1 of 1</p> | | <p>NOTES</p> <p>No egress issues per section R-310 of the 2018 NC Residential Code</p> | |
| | <p>Concrete to be poured larger than sunroom to allow 2" ledge around perimeter per the engineering spec sheets</p> | | | | | | | | | |



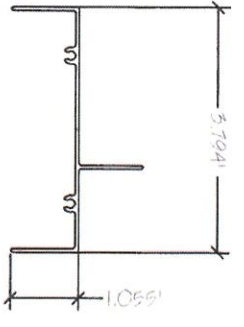
1 WINDOW / DOOR FRAME HEAD



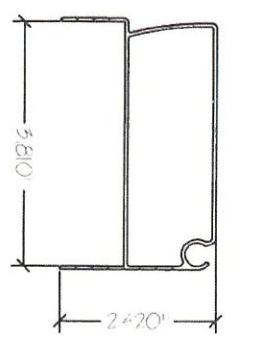
2 WINDOW / DOOR FRAME JAMBS



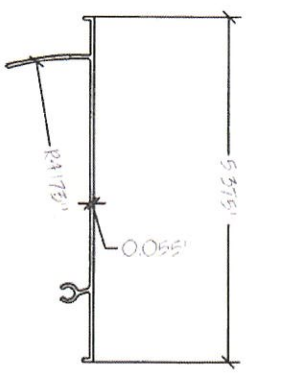
3 WINDOW / DOOR FRAME SILL



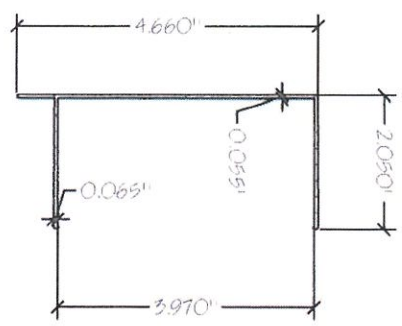
4 RANSOM FRAME



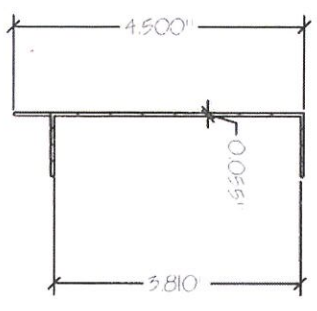
5 HEADER BASE



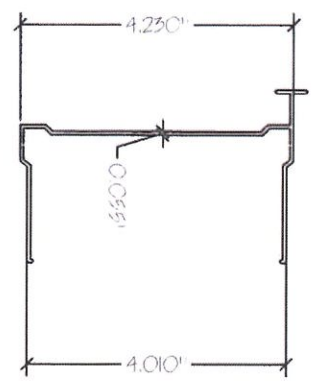
6 HEADER ARM



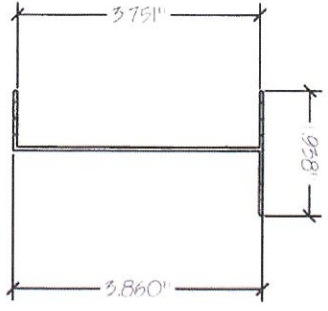
7 4" EXPANDER



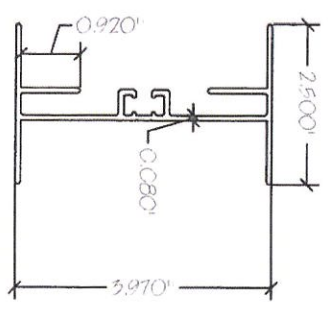
8 4" F-CHANNEL



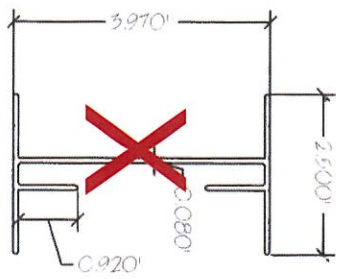
9 4" HANGER BASE



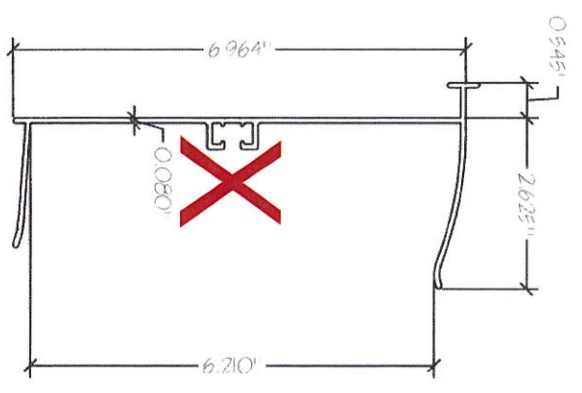
10 4" SILL EXTENSION



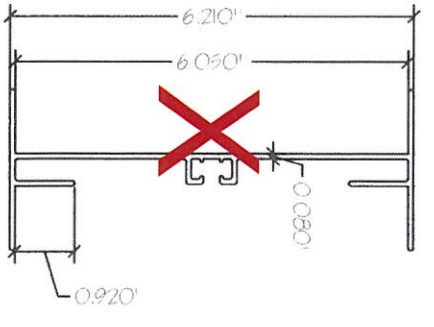
11 4" I-SECTION TRIM



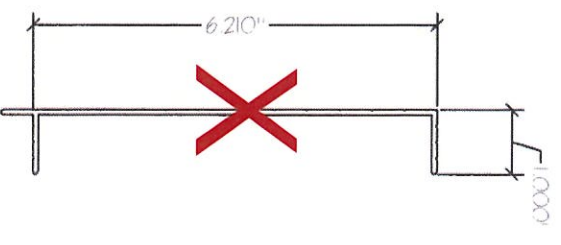
12 4" NON-THERM I-SECTION



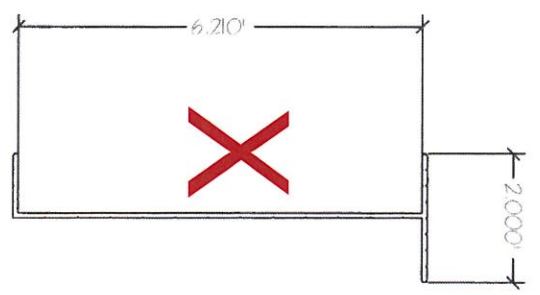
13 6" HANGER BASE



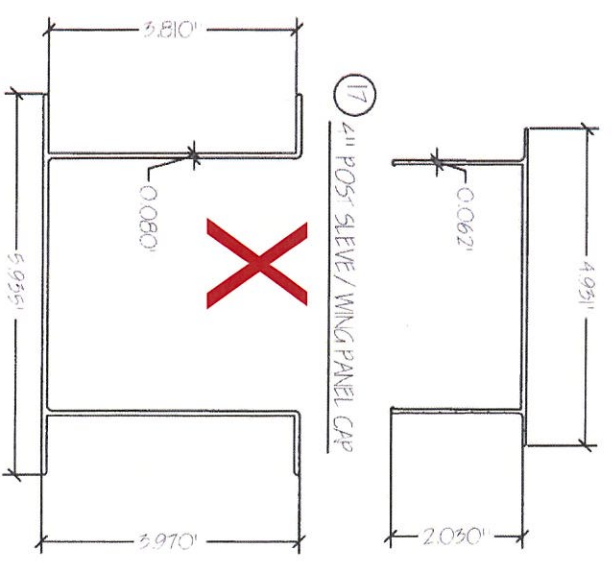
14 6" I-BEAM



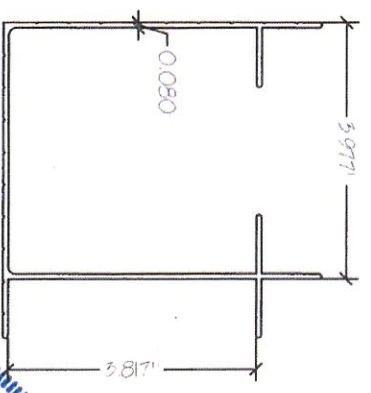
15 6" F-CHANNEL



16 6" SILL



17 4" POST SLEEVE / WING PANEL CAP



20 CORNER POST

CHAMPION WINDOWS AND PATIO ROOMS
4" Wall System with Studio Style Roof

SECTION DETAILS

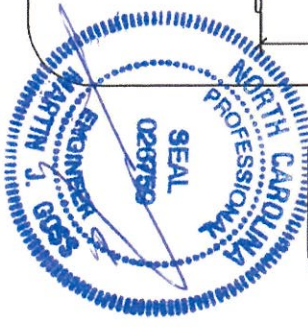
CES

CHAMPION ENCLOSURE SUPPLIERS

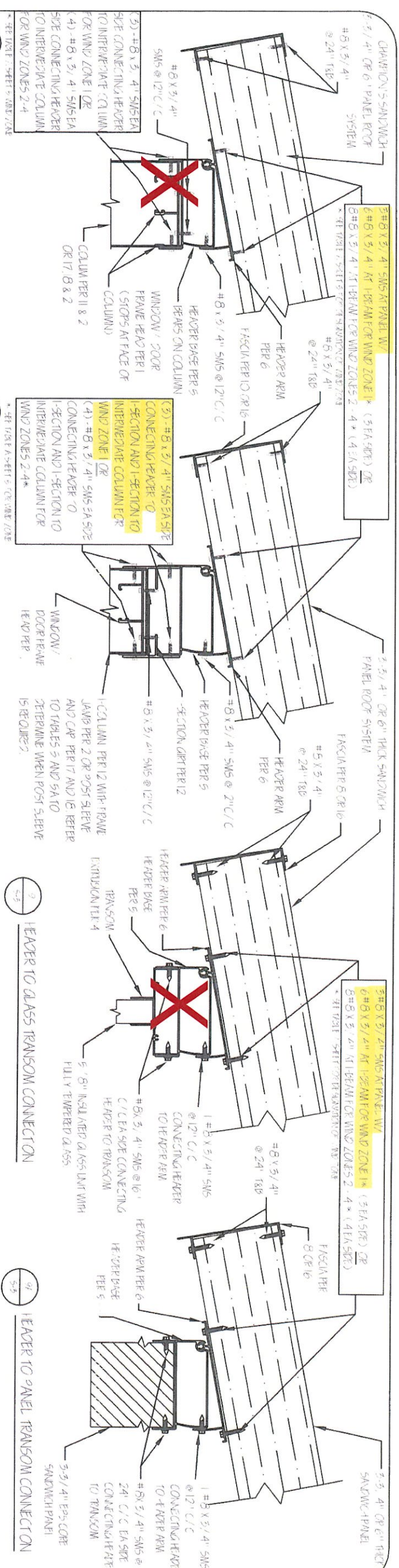
12111 CHAMPION WAY, CINCINNATI, OH 45241

PH: (513) 782-3900 FAX: (513) 782-3903

| |
|---------------|
| DATE: 2/13/19 |
| SCALE: NTS |
| Drawn by: MJG |
| REV.: |
| DATE: |
| SHEET: 1 OF 5 |



2/26/2019

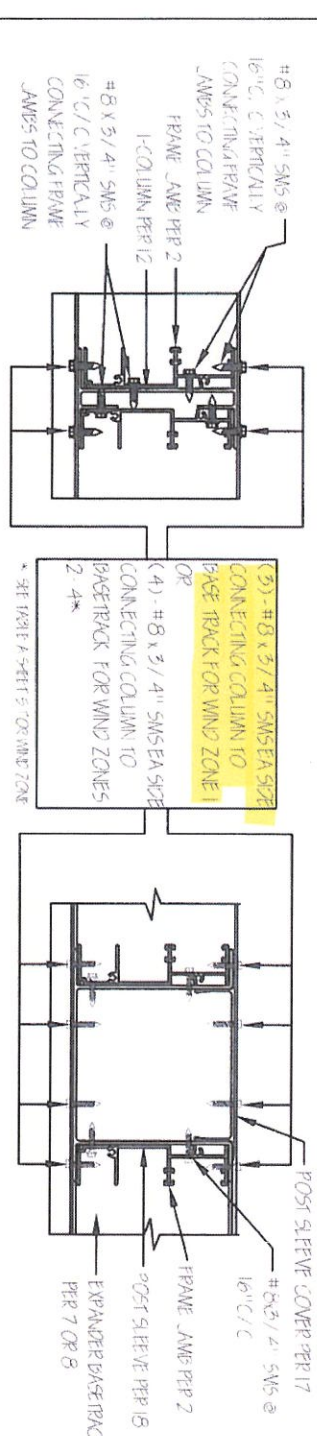


2 STANDARD HEADER TO CENTER COLUMN CONNECTION

3 HEADER WITH I-SECTION TO CENTER COLUMN CONNECTION

4 HEADER TO GLASS TRANSOM CONNECTION

5 HEADER TO PANEL TRANSOM CONNECTION

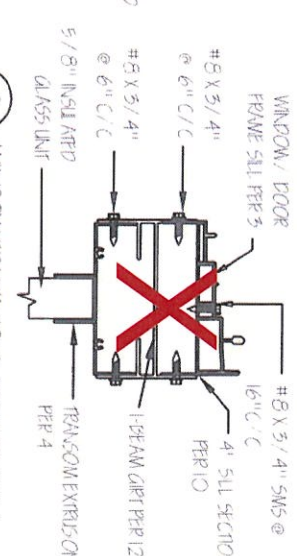


6 CENTER COLUMN PER 12 + 2 TO BASE DETAIL

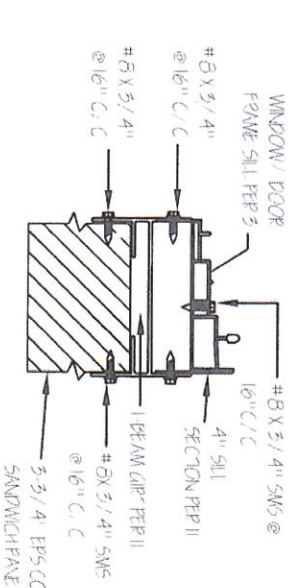
7 CENTER COLUMN PER 7, 8 + 2 TO BASE CONNECTION

8 TRANSOM TO WINDOW FRAME

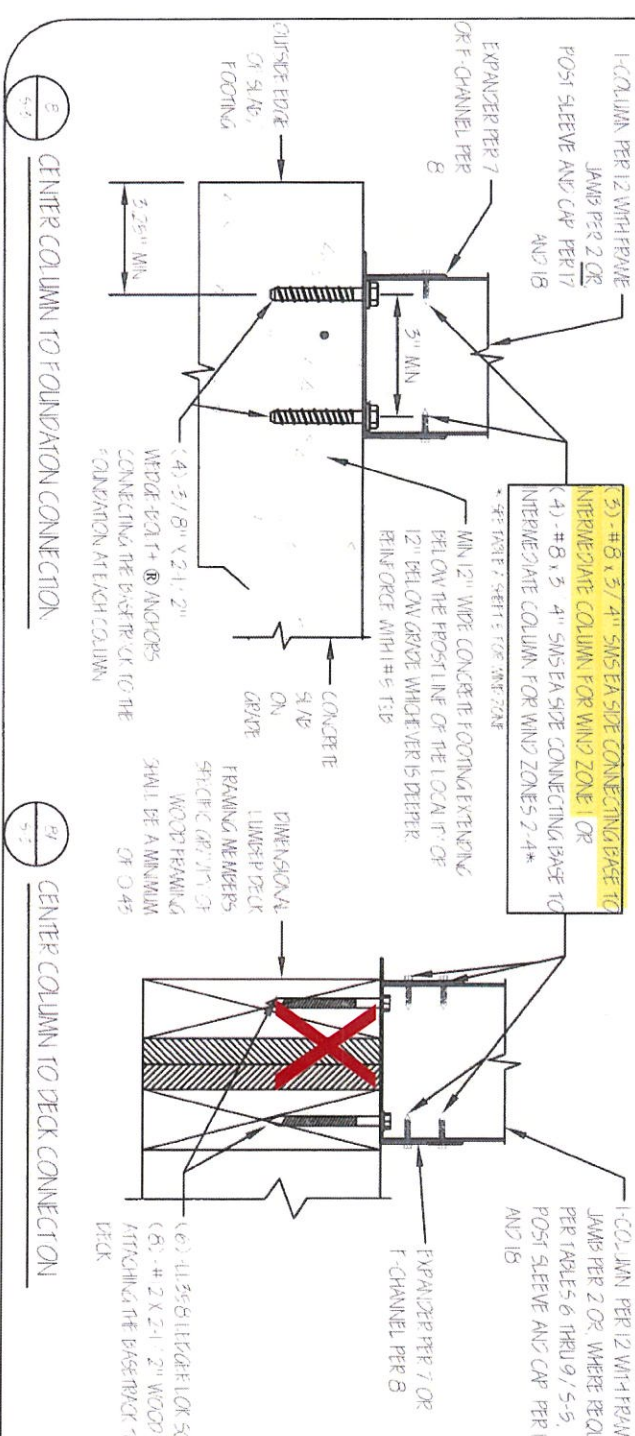
9 PANEL TRANSOM TO WINDOW FRAME



10 WINDOW FRAME TO GLASS KNEE WALL

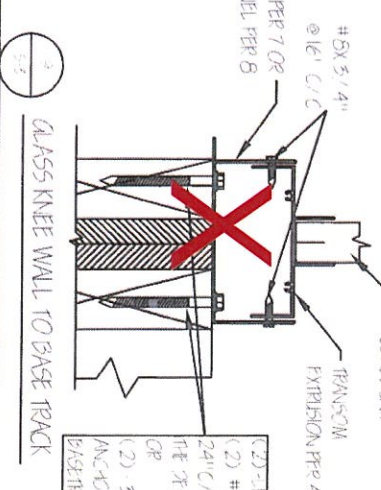


11 WINDOW FRAME TO PANEL KNEE WALL

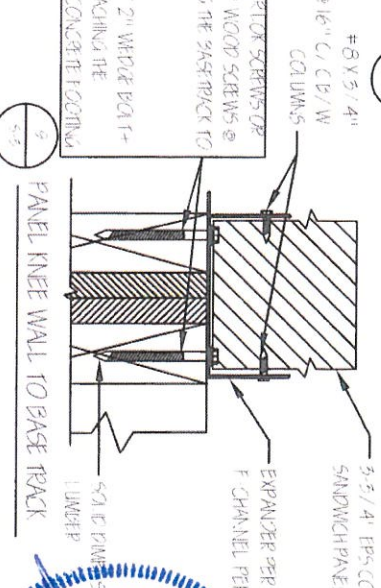


12 CENTER COLUMN TO FOUNDATION CONNECTION

13 CENTER COLUMN TO DECK CONNECTION



14 GLASS KNEE WALL TO BASE TRACK



15 WINDOW FRAME TO PANEL KNEE WALL

**CHAMPION WINDOWS AND PATIO ROOM
4" Wall System with Studio Style Roof**

SECTION DETAILS

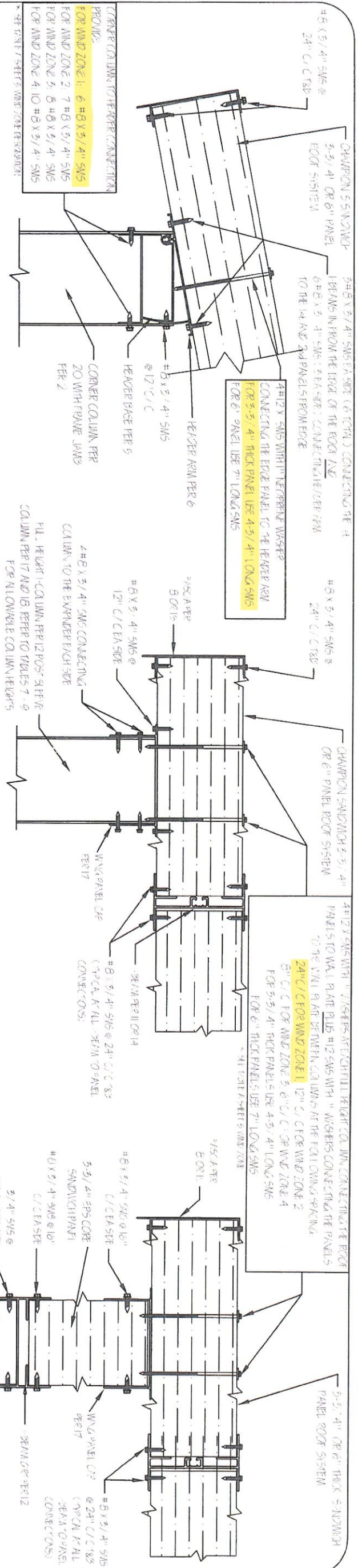
DATE: 2/13/19
SCALE: NTS
Drawn by: MJG
REV: DATE:

CES
CHAMPION ENCLOSURE SUPPLIERS
12111 CHAMPION WAY, CINCINNATI, OH 45241
PH: (513) 782-3900 FAX: (513) 782-3903

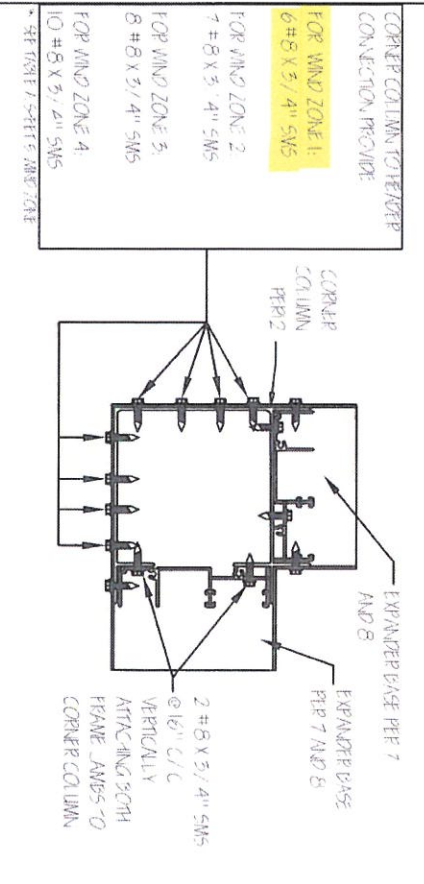
SHEET: 3 OF 5



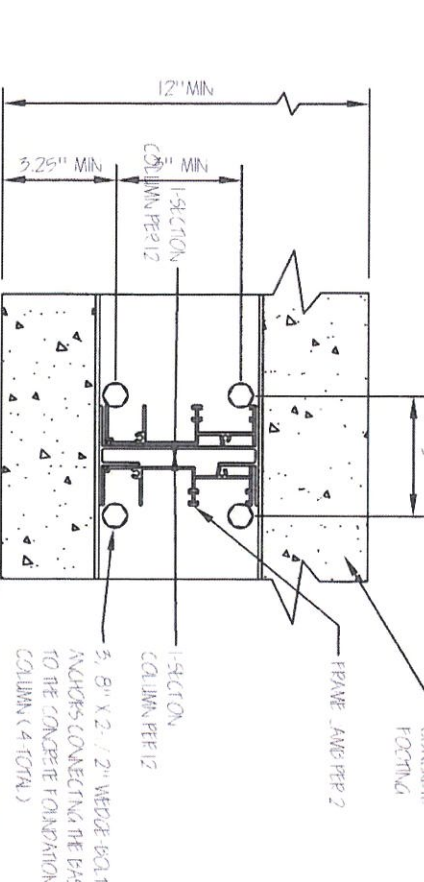
2/13/19



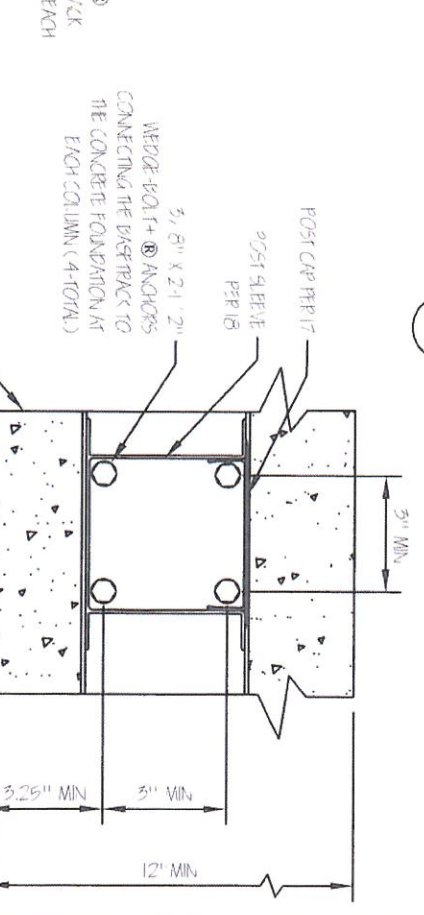
1 CHAMPION 5 SANDWICH PANEL TO ROOF CONNECTION



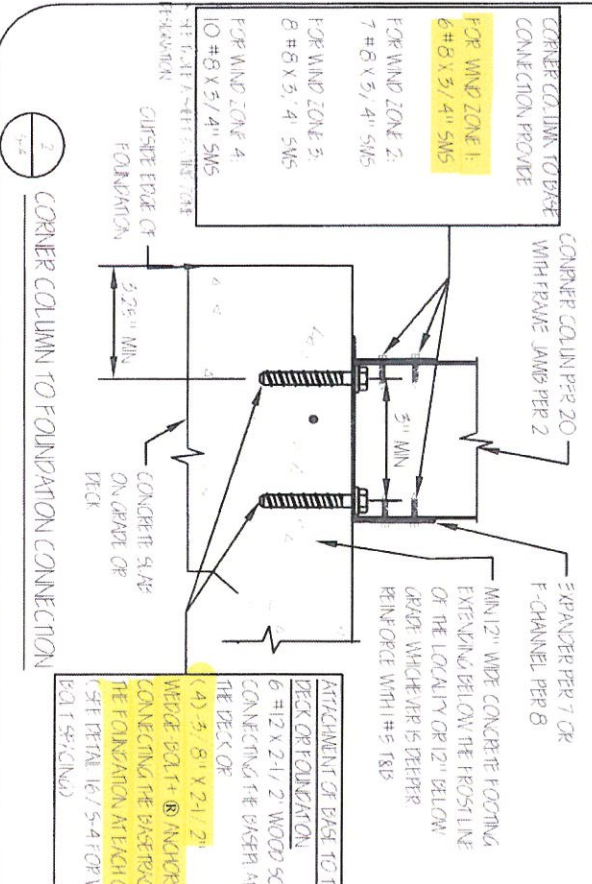
2 CORNER COLUMN TO ROOF CONNECTION



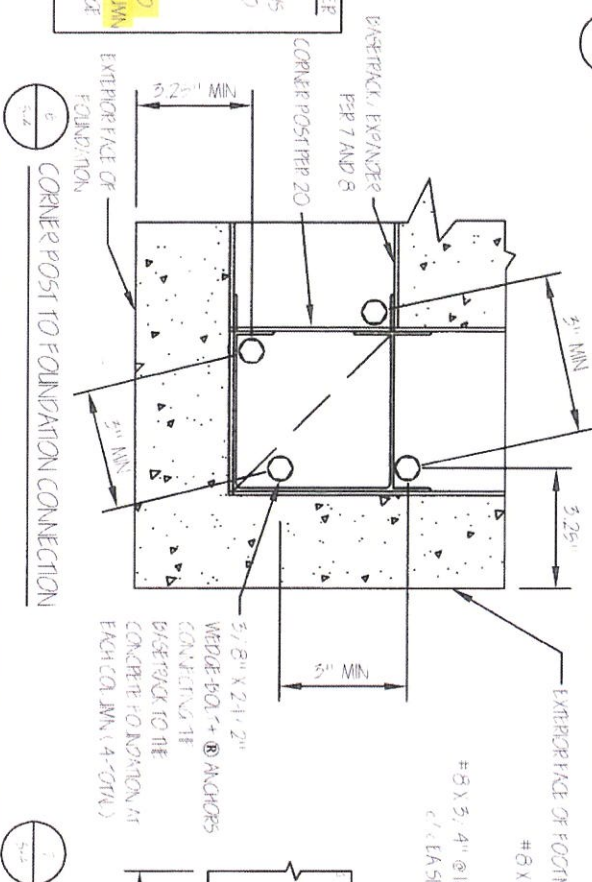
3 CONNECTION OF CENTER COLUMN PER 12 & 2 TO BASE / FOUNDATION



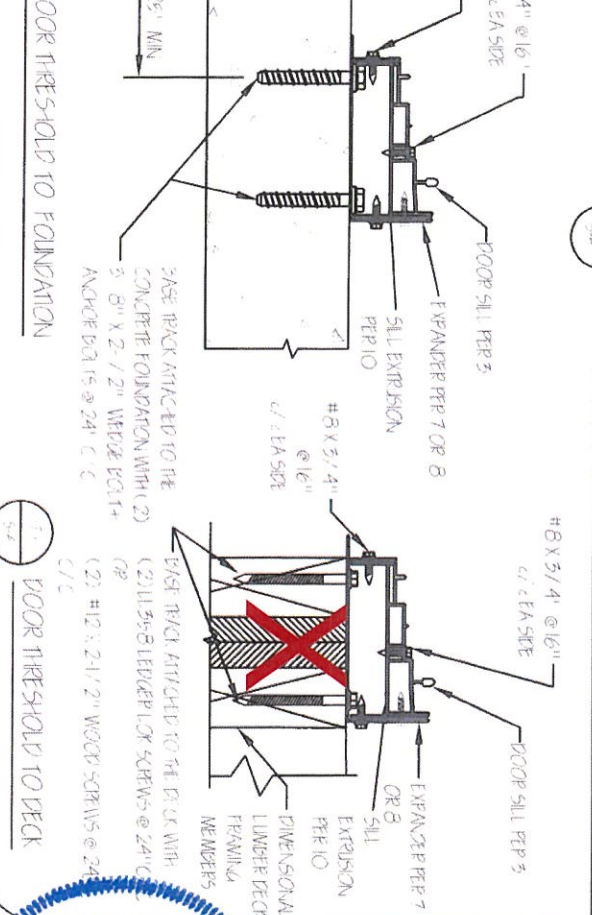
4 ROOF TO NON BEARING WALL CONNECTION



5 CORNER COLUMN TO BASE CONNECTION



6 CORNER POST TO FOUNDATION CONNECTION



7 DOOR THRESHOLD TO FOUNDATION



8 DOOR THRESHOLD TO DECK

CES
CHAMPION ENCLOSURE SUPPLIERS
 12111 CHAMPION WAY, CINCINNATI, OH 45241
 PH: (513) 782-3900 FAX: (513) 782-3903

CHAMPION WINDOWS AND PATIO ROOM
4\"/>

DATE: 2/13/19
 SCALE: NTS
 Drawn by: M/G
 REV: DATE:
 SHEET: 4 OF 5

NORTH CAROLINA PROFESSIONAL SEAL
 026789
MARTIN J. GOSS
 ENGINEER

2/13/2019

