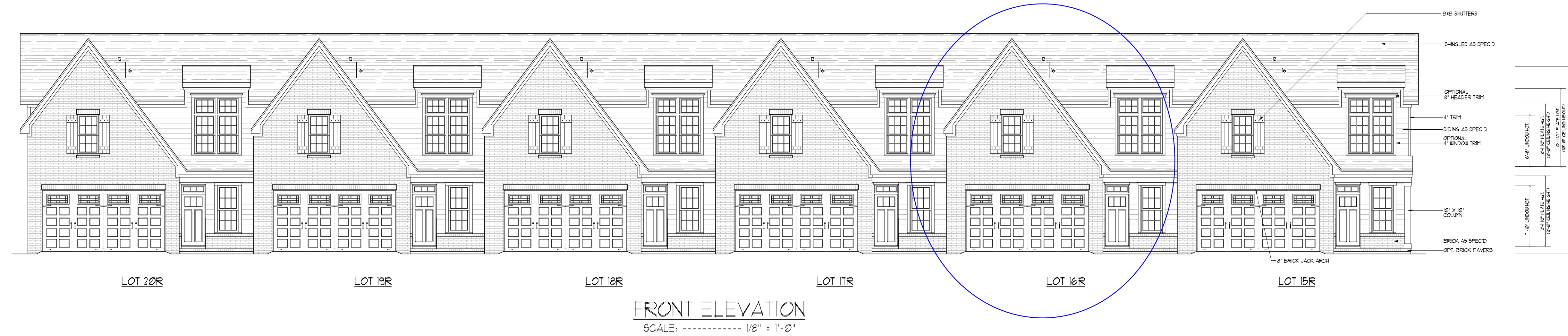


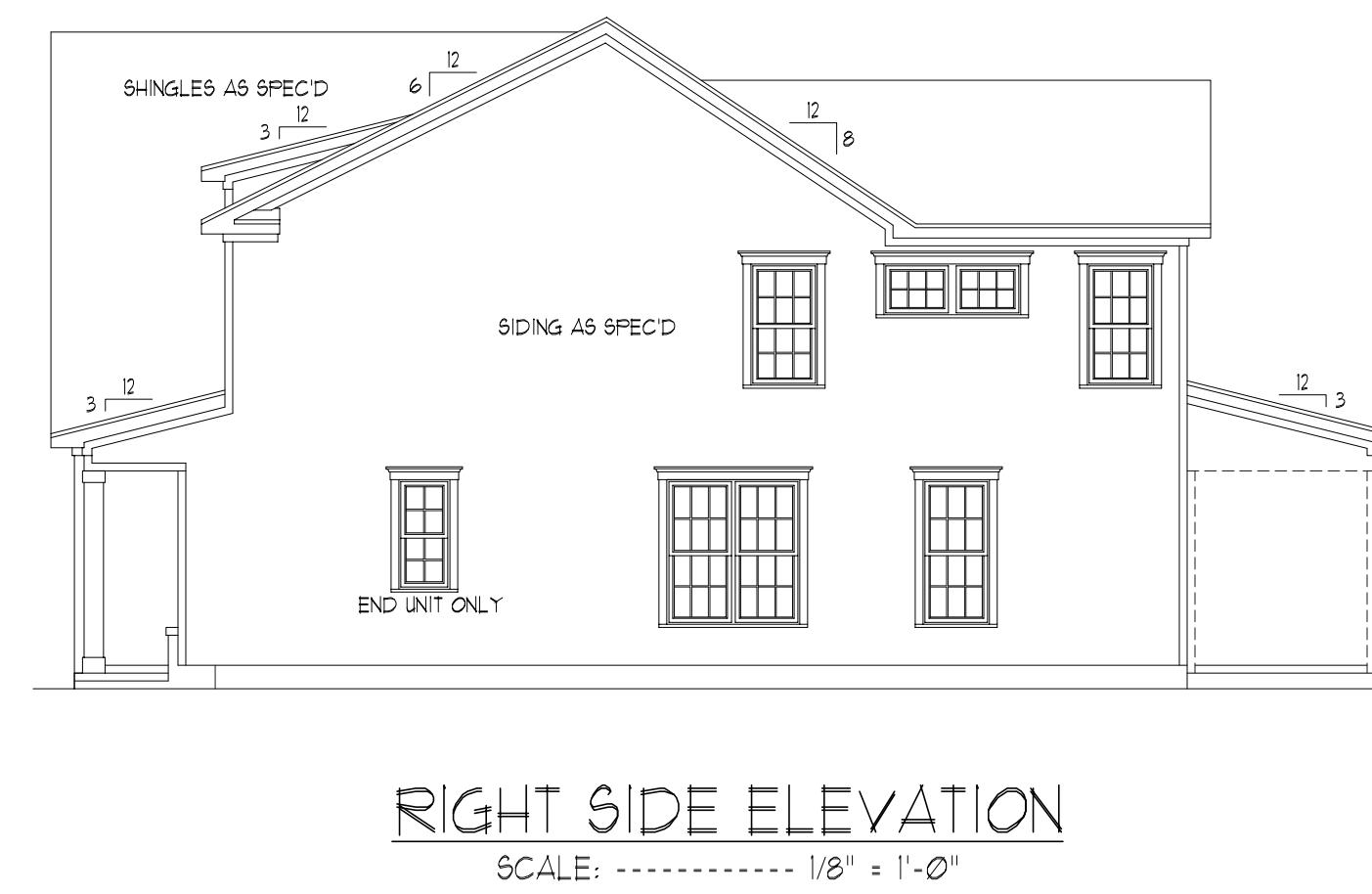
The Villas at Anderson Creek

- Lot Address
 15 58 Hawk Ridge Drive Spring Lake 28390
 16 62 Hawk Ridge Drive Spring Lake 28390
 17 66 Hawk Ridge Drive Spring Lake 28390
 18 70 Hawk Ridge Drive Spring Lake 28390
 19 74 Hawk Ridge Drive Spring Lake 28390
 20 78 Hawk Ridge Drive Spring Lake 28390

Build per Plan - Include Covered Porch



THIS PLAN CONFORMS TO THE 2018 EDITION OF THE I.R.C. / NORTH CAROLINA RESIDENTIAL CODE.



Include Covered Porch



David D Grorud
 (919) 601-1406
 DynamicDesignGroup@gmail.com
 www.DynamicDesignGroupInc.com

The drawings and specifications (plans) contained on these pages are the property of Dynamic Design Group and are offered to the named client or contractor for a conditional use is limited to the lot and subdivision specified herein, and only for said location. COPYRIGHT 2021

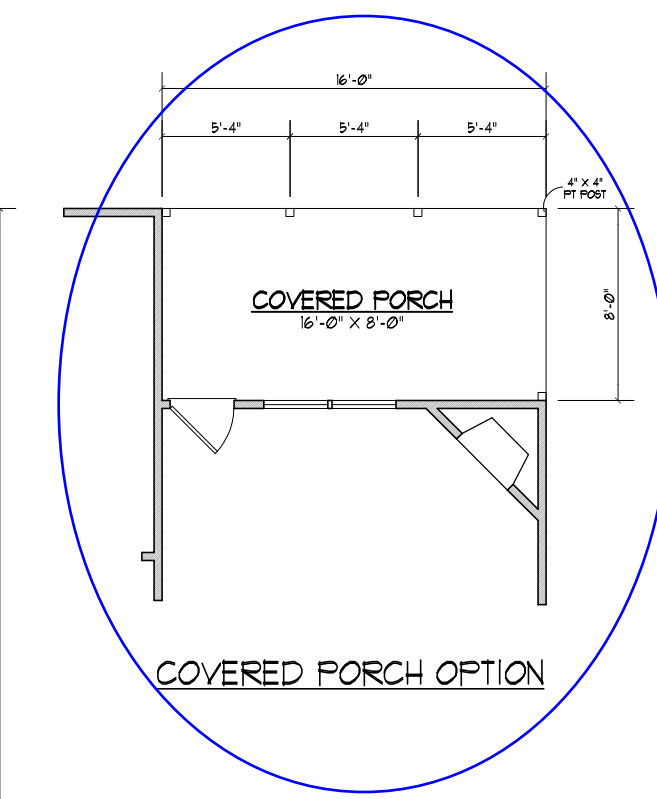
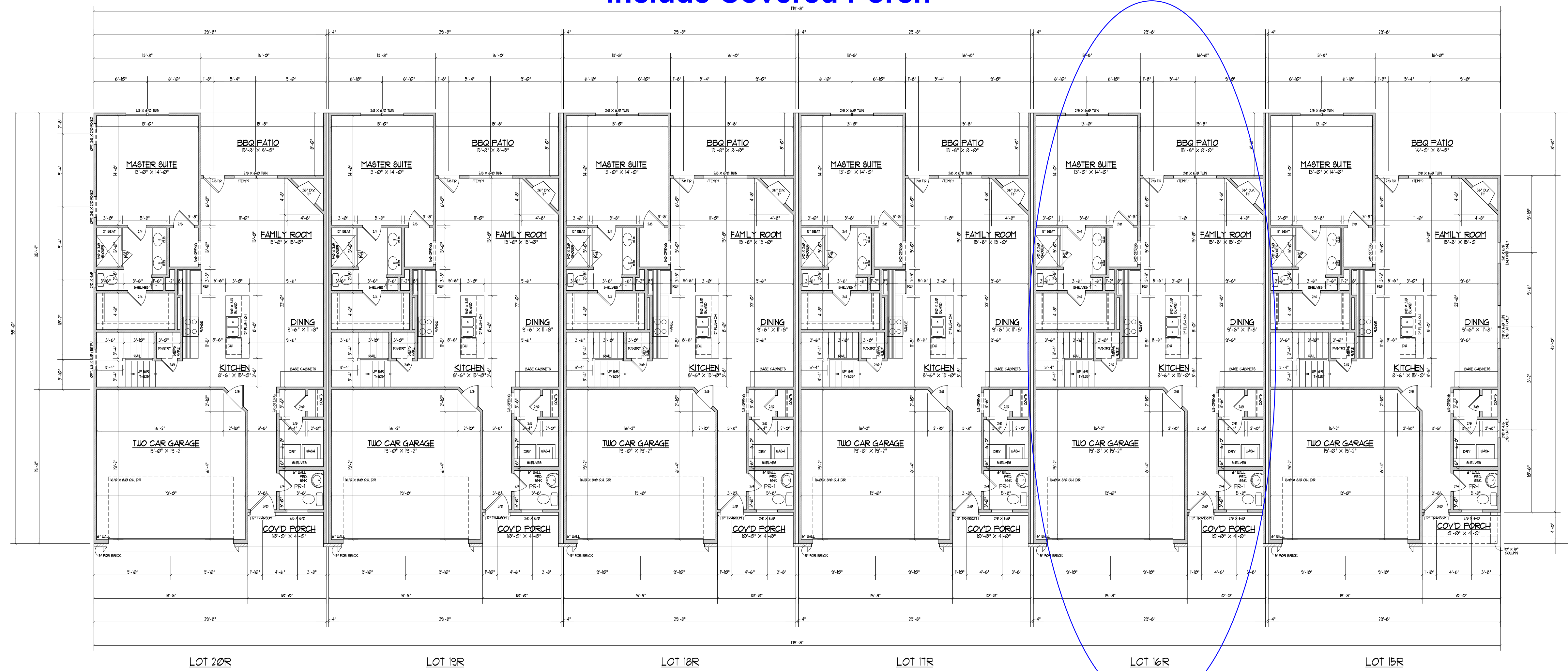
Contractor shall verify all conditions and dimensions prior to construction. Any error or omissions shall be reported to Dynamic Design Group for corrections or justification. Once construction has commenced, the contractor shall assume all responsibility. Dimensions govern over scale, code governs over dimensions.

CAPITOL PROJECT FOR: CITY HOMES
 LOCATION: SPRING LAKE, NC
 LOT: 20R-15R
 SUBDIVISION: HAWK RIDGE DR.
 COUNTY: HARNETT

HAWK RIDGE DRIVE

PLAN NAME
BUILDING
 PLAN I.D.
 DATE
9-20-21

Include Covered Porch



Include Covered Porch

David D Grorud
 (919) 601-1406
 DynamicDesignGroup@gmail.com
 www.DynamicDesignGroupInc.com

The drawings and specifications (plans) contained on these pages are the property of Dynamic Design Group and are offered to the named client or contractor for a conditional one time use. The conditional use is limited to the lot and subdivision specified herein, and only for said location. COPYRIGHT 2021

Contractor shall verify all conditions and dimensions prior to construction. Any error or omissions shall be reported to Dynamic Design Group for corrections or justification. Once construction has commenced, the contractor shall assume all responsibility. Dimensions govern over scale, code governs over dimensions.

CAPITOL
 PROJECT FOR: CITY HOMES
 LOCATION: SPRING LAKE, NC
 LOT: 20R-15R
 SUBDIVISION: HAWK RIDGE DR.
 COUNTY: HARNETT

HAWK RIDGE DRIVE

PLAN NAME

BUILDING 9-20-21

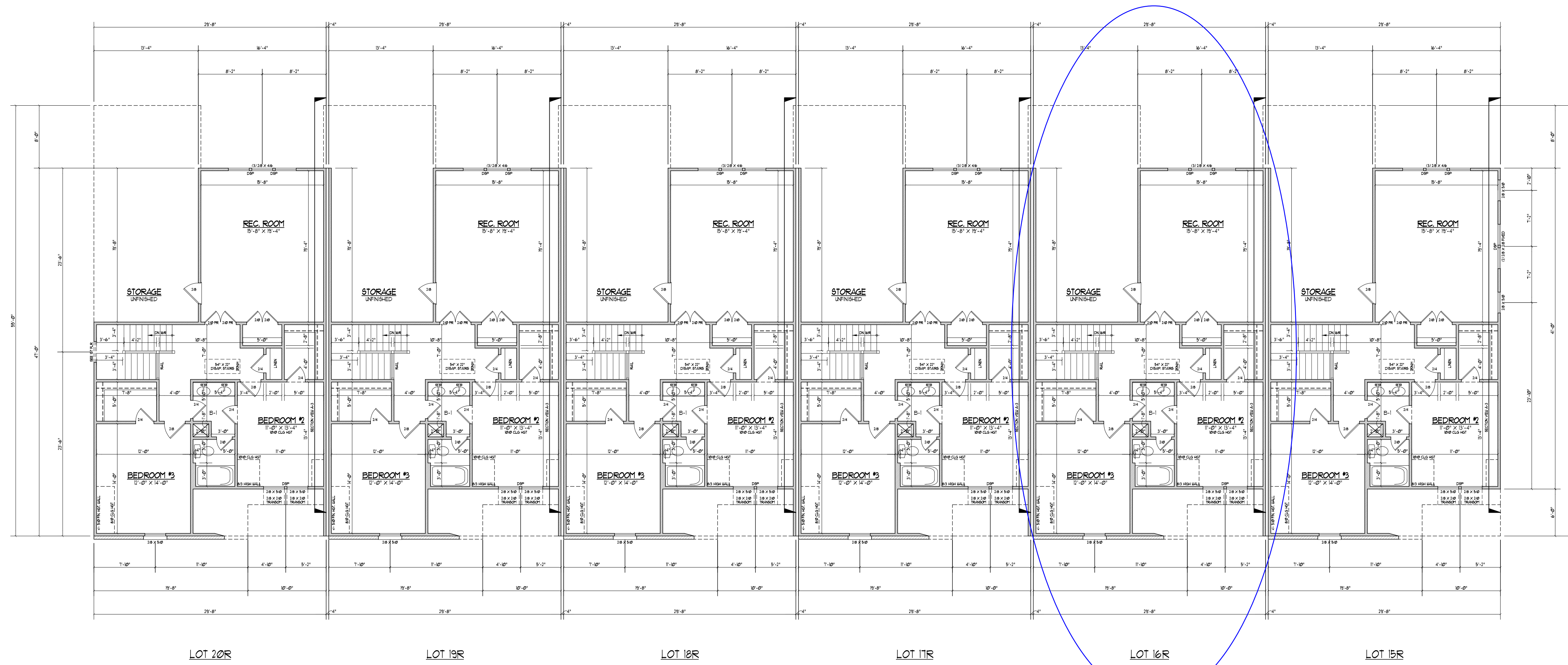
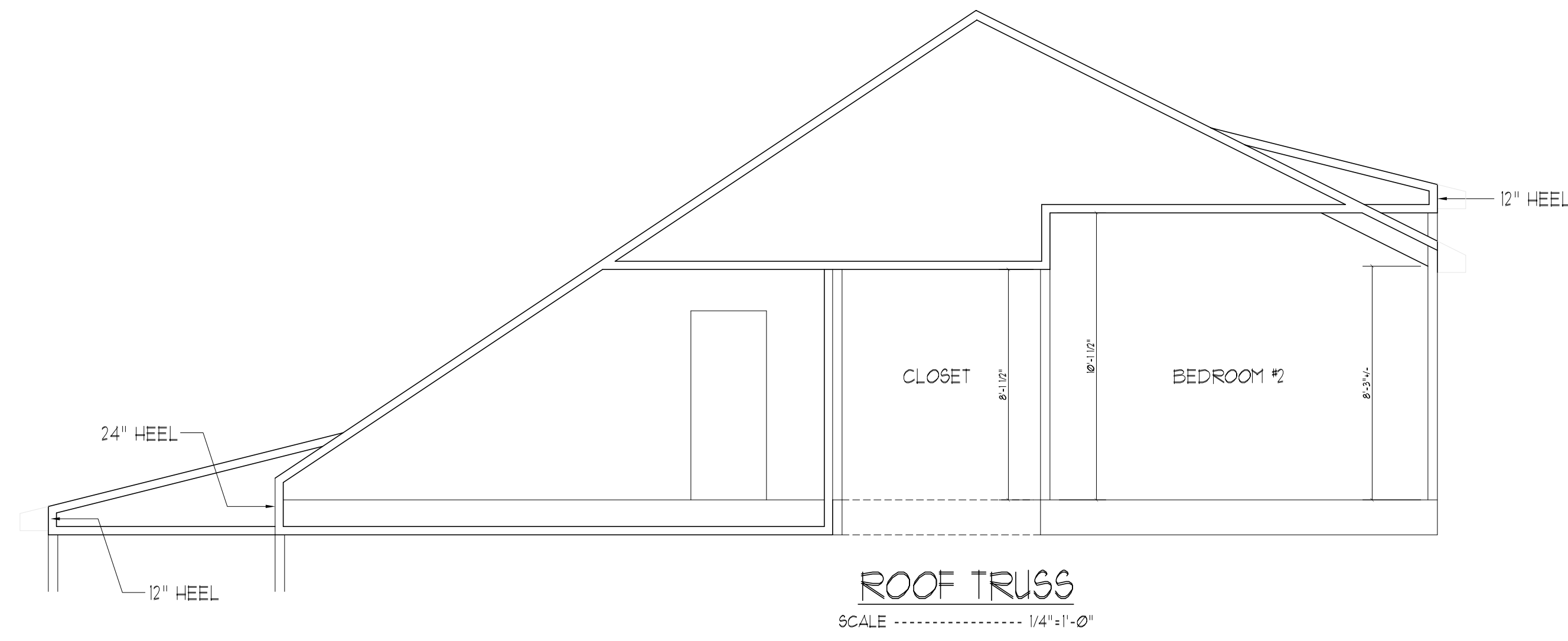
DATE

PLAN I.D.

FIRST FLOOR PLAN
 SCALE: 1/8" = 1'-0"

6933 HEATED SQ. FT.
 1739 SQ. FT. GARAGE
 42 SQ. FT. COVERED PORCH
 28 SQ. FT. BBQ PATIO / COVD. PORCH
 SQUARE FOOTAGES PER UNIT

NOTES:
 1) 3'-0" CLOS. HGT. (8' - 11 1/2" MAX. HGT.) UNLESS OTHERWISE NOTED.
 2) ALL WALLS DRAWN AT 1/2" THICK UNLESS INDICATED AT 1/4" THICK.
 3) ALL WINDOWS AT 1/4" THICK UNLESS OTHERWISE NOTED.
 4) DIMENSIONS ARE TO FINISHING UNLESS OTHERWISE NOTED.
 5) CONSULT WINDOW MANUFACTURER'S SPEC'S FOR GLASS REQUIREMENTS, PRESSURE RATINGS, & FINISH OPTIONS.



SECOND FLOOR PLAN
 SCALE 1/8"=1'-0"
 875 HEATED SQ. FT.
 SQUARE FOOTAGE PER UNIT

- NOTES:
- 1) 8'-0" CLG. HGT. @ 1-1/2" P.L.T. HGT. UNLESS OTHERWISE NOTED.
 - 2) ALL WALLS FIGURED AT 4" WIDTH UNLESS OTHERWISE NOTED.
 - 3) SET WINDOWS AT 8'-0" A.S.F. UNLESS OTHERWISE NOTED.
 - 4) DIMENSIONS ARE TO FRAMING UNLESS OTHERWISE NOTED.
 - 5) CONSULT WINDOW MANUFACTURER'S SPEC'S FOR EGRESS REQUIREMENTS, PRESSURE RATINGS & ROUGH OPENINGS.

David D Grorud
 (919) 601-1406
 DynamicDesignGroup@gmail.com
 www.DynamicDesignGroupInc.com

The drawings and specifications (plans) contained on these pages are the property of Dynamic Design Group and are offered to the named client or contractor for a conditional one time use. The conditional use is limited to the lot and subdivision specified herein, and only for said location. COPYRIGHT 2021

Contractor shall verify all conditions and dimensions prior to construction. Any error or omissions shall be reported to Dynamic Design Group for corrections or justification. Once construction has commenced, the contractor shall assume all responsibility.

Dimensions govern over scale, code governs over dimensions.

CAPITOL
 PROJECT FOR: CITY HOMES
 LOCATION: SPRING LAKE, NC
 LOT: 20R-15R
 SUBDIVISION: HAWK RIDGE DR.
 COUNTY: HARNETT

HAWK RIDGE DRIVE

PLAN NAME

BUILDING 9-20-21

DATE

PLAN I.D.

A-3

SHEET

Include Covered Porch

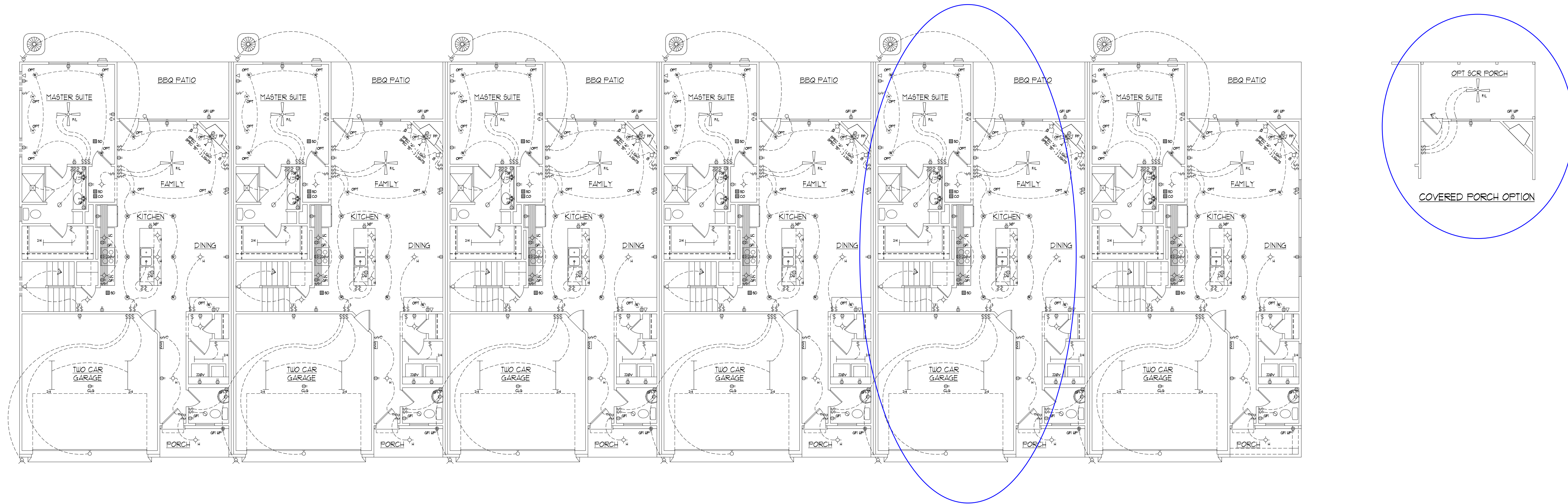
David D Grorud
 (919) 601-1406
 DynamicDesignGroup@gmail.com
 www.DynamicDesignGroupInc.com

The drawings and specifications (plans) contained on these pages are the property of Dynamic Design Group and are offered to the named client or contractor for a conditional one time use. The conditional use is limited to the lot and subdivision specified herein, and only for said location. COPYRIGHT 2021

Contractor shall verify all conditions and dimensions prior to construction. Any error or omissions shall be reported to Dynamic Design Group for corrections or justification. Once construction has commenced, the contractor shall assume all responsibility.

Dimensions govern over scale, code governs over dimensions.

CAPITOL PROJECT FOR: CITY HOMES
 LOCATION: SPRING LAKE, NC
 LOT: 20R-15R
 SUBDIVISION: HAWK RIDGE DR.
 COUNTY: HARNETT



LOT 20R

LOT 19R

LOT 18R

LOT 17R

LOT 16R

LOT 15R

OPTIONAL ELECTRICAL ITEMS
 WITH ALL LIGHTS LISTED RESPECTIVE SWITCHES ARE ASSUMED

RECESSED LIGHTS
FLUORESCENT LIGHT IN LIEU OF RECESSED CANS - KITCHEN ONLY
CEILING FANS IN LIEU OF FLUSH MOUNT
FLOODLIGHTS
HANGING LIGHTS - KITCHEN
UNDER CABINET LIGHTS
EXTERIOR LIGHTS AT GARAGE DOOR

ELECTRICAL SYMBOLS

◇ CEILING MOUNTED LIGHT FIXTURE	□ EXHAUST FAN
◇ DIRECTIONAL EYEBALL LIGHT FIXTURE	□ RECESSED SHOULDER LIGHT
⊙ RECESSED LIGHT FIXTURE	□ EXTERIOR FLOOD LIGHT
⊙ MINI RECESSED LIGHT FIXTURE	⊙ SMOKE DETECTOR
⊙ WALL MOUNTED LIGHT FIXTURE	⊙ CARBON MONOXIDE DETECTOR
⊙ FLUORESCENT LIGHT	⊙ DOOR CHIMES
⊙ HANGING LIGHT FIXTURE	⊙ ELECTRICAL PANEL
⊙ TELEPHONE JACK	⊙ METERBOX
⊙ CABLE JACK	⊙ A/C UNIT
⊙ KEYLESS LIGHT FIXTURE	⊙ 120 OUTLET
⊙ CEILING FAN WITH LIGHT FIXTURE	⊙ 220 OUTLET
⊙ UNDER CABINET LIGHT	⊙ SINGLE SWITCH
	⊙ 3-WAY SWITCH
	⊙ 4-WAY SWITCH
	⊙ OUTDOOR OUTLET
	⊙ GFI

FIRST FLOOR ELECTRICAL LAYOUT

HAWK RIDGE DRIVE

PLAN NAME

BUILDING 9-20-21

DATE

PLAN I.D.

E-1

SHEET

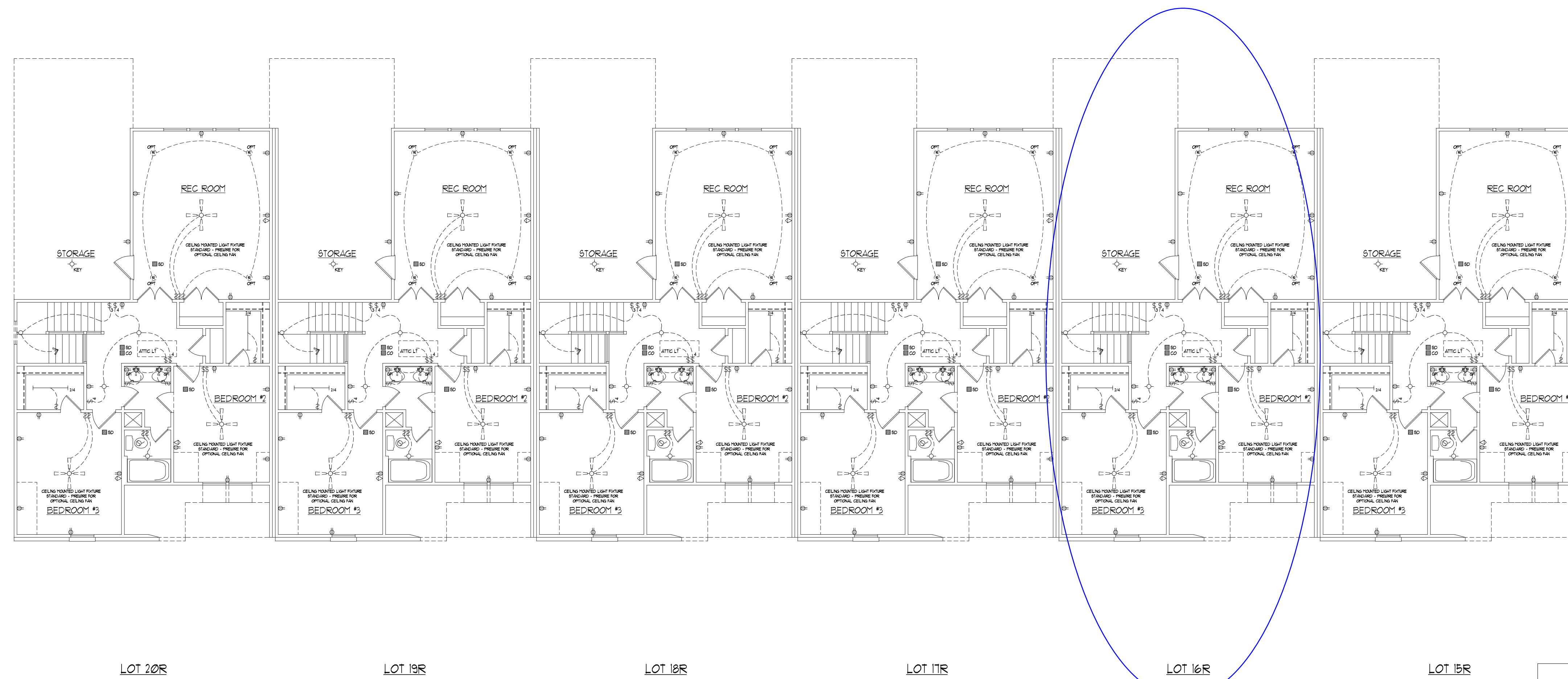
David D Grorud
 (919) 601-1406
 DynamicDesignGroup@gmail.com
 www.DynamicDesignGroupInc.com

The drawings and specifications (plans) contained on these pages are the property of Dynamic Design Group and are offered to the named client or contractor for a conditional one time use. The conditional use is limited to the lot and subdivision specified herein, and only for said location. COPYRIGHT 2021

Contractor shall verify all conditions and dimensions prior to construction. Any error or omissions shall be reported to Dynamic Design Group for corrections or justification. Once construction has commenced, the contractor shall assume all responsibility.

Dimensions govern over scale, code governs over dimensions.

CAPITOL
 PROJECT FOR: CITY HOMES
 LOCATION: SPRING LAKE, NC
 LOT: 20R-15R
 SUBDIVISION: HAWK RIDGE DR.
 COUNTY: HARNETT



ELECTRICAL SYMBOLS			
⊕	CEILING MOUNTED LIGHT FIXTURE	⊗	EXHAUST FAN
⊕	DIRECTIONAL EYEBALL LIGHT FIXTURE	⊖	RECESSED SHOWER LIGHT
⊙	RECESSED LIGHT FIXTURE	⊗	EXTERIOR FLOOD LIGHT
⊙	MINI RECESSED LIGHT FIXTURE	⊗	SMOKE DETECTOR
⊕	WALL MOUNTED LIGHT FIXTURE	⊗	CARBON MONOXIDE DETECTOR
⊕	FLUORESCENT LIGHT 12 - 1 BULB # 7 12 - 2 BULB # 7 14 - 1 BULB # 7 14 - 2 BULB # 7 14 - 4 BULB # 7	⊖	DOOR CHIMES
⊕	HANGING LIGHT FIXTURE	⊖	ELECTRICAL PANEL
⊕	TELEPHONE JACK	⊖	METERBOX
⊕	CABLE JACK	⊖	A/C UNIT
⊕	KEYLESS LIGHT FIXTURE	⊖	120 OUTLET
⊕	CEILING FAN WITH LIGHT FIXTURE	⊖	220 OUTLET
⊕	UNDER CABINET LIGHT	⊖	SINGLE SWITCH
		⊖	3-WAY SWITCH
		⊖	4-WAY SWITCH
		⊖	OUTDOOR OUTLET
		⊖	GFI

SECOND FLOOR
 ELECTRICAL LAYOUT

HAWK RIDGE DRIVE

PLAN NAME

BUILDING 9-20-21

DATE

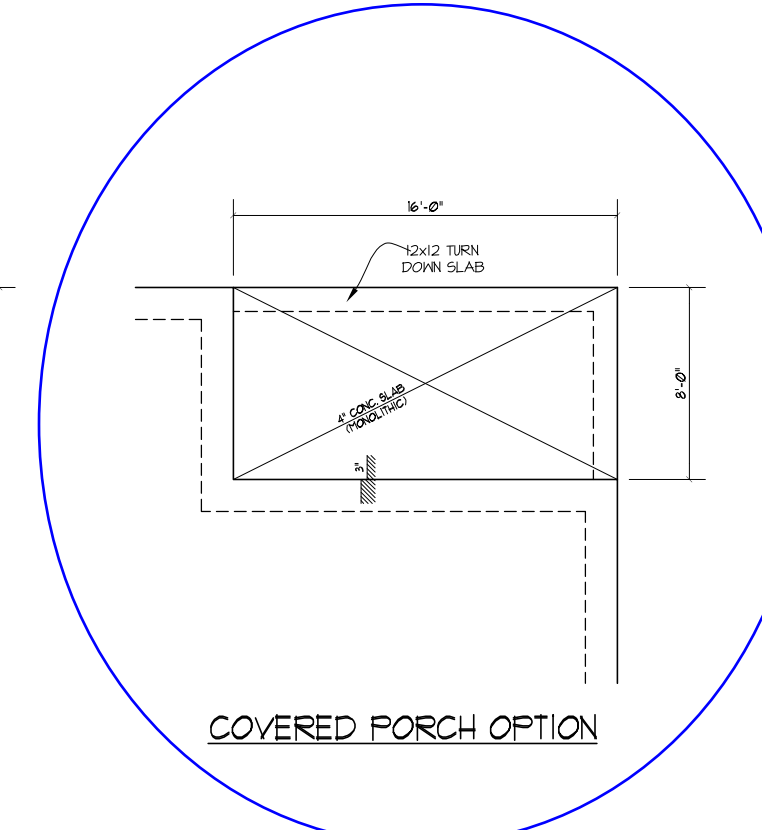
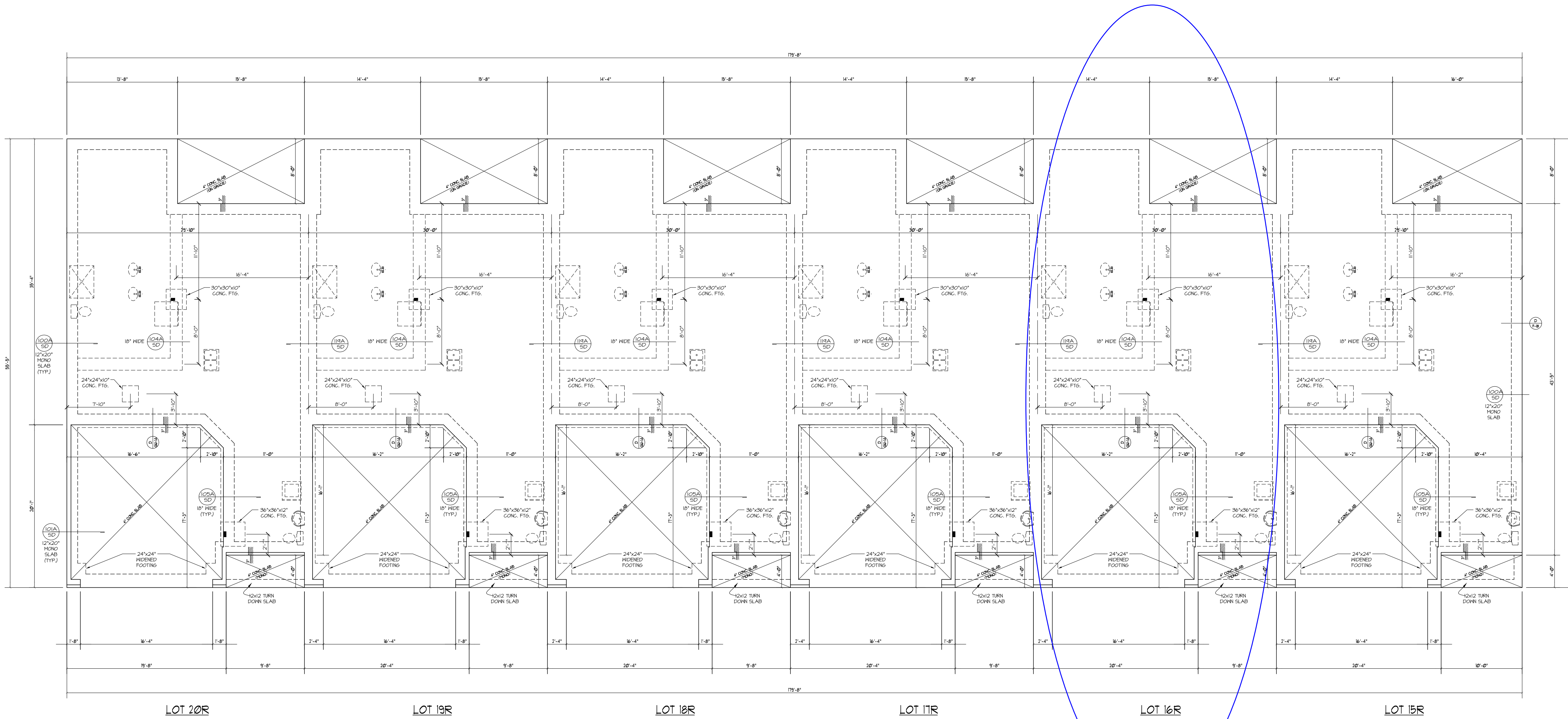
PLAN I.D.

E-2
 SHEET

STRUCTURAL DESIGN BY:
 SOUTHERN ENGINEERS, P.A.
 5716 BENSON DRIVE RALEIGH, NC 27604
 LICENSE: C-1712, P.E. NO. 58429-9-017
 PROJECT #: 21-2674 (LOTS 15-20)
 * Engineer seal applies only to structural components on this document. Seal does not include construction means, methods, techniques, sequences, procedures or safety precautions.
 * Any deviations or discrepancies on plans are to be brought to the immediate attention of Southern Engineers. Failure to do so will void Southern Engineer's liability.
 * Seal is valid for a project permitted within one year from date of seal.
 * Use of these plans constitutes approval of terms and conditions as defined in the customer agreement.

REFER TO "02" SHEETS FOR STANDARD DETAILS, BRACING DETAILS AND STRUCTURAL NOTES.

Include Covered Porch



NOTE: ASSIGNED SOIL BEARING CAPACITY = 2000 PSF. CONTRACTOR MUST VERIFY SITE CONDITIONS AND CONTACT SOILS ENGINEER IF MARSHAL OR INSTABLE SOILS ARE ENCOUNTERED.

FOUNDATION PLAN
 SCALE: 1/8" = 1'-0"

NOTES:
 1) SEE SHEET D-1 FOR DETAILS
 2) DIMENSIONS ARE TO EXTERIOR OF FOUNDATION.

David D Grorud
 (919) 601-1406
 DynamicDesignGroup@gmail.com
 www.DynamicDesignGroupInc.com

The drawings and specifications (plans) contained on these pages are the property of Dynamic Design Group and are offered to the named client or contractor for a conditional one time use. The conditional use is limited to the lot and subdivision specified herein, and only for said location. COPYRIGHT 2021
 Contractor shall verify all conditions and dimensions prior to construction. Any error or omissions shall be reported to Dynamic Design Group for corrections or justification. Once construction has commenced, the contractor shall assume all responsibility. Dimensions govern over scale, code governs over dimensions.

CAPITOL PROJECT FOR: CITY HOMES
 LOCATION: SPRING LAKE, NC
 LOT: 20R-15R
 SUBDIVISION: HAWK RIDGE DR.
 COUNTY: HARNETT

HAWK RIDGE DRIVE
 PLAN NAME
 BUILDING 9-20-21
 PLAN I.D. DATE

S-1
 SHEET

STRUCTURAL DESIGN BY:
 SOUTHERN ENGINEERS, P.A.
 576 BENSON DRIVE RALEIGH, NC 27604
 LICENSE: C-1712, P.E. NO. 58-05-0617
 PROJECT #: 21-2674 (LOTS 15-20)
 * Engineer seal applies only to structural components on this document. Seal does not include construction notes, methods, techniques, sequences, procedures or safety precautions.
 * Any deviations or discrepancies on plans are to be brought to the immediate attention of Southern Engineers. Failure to do so will void Southern Engineer's liability.
 * Seal is valid for a project permitted within one year from date of seal.
 * Use of these plans constitutes approval of terms and conditions as defined in the customer agreement.

REFER TO "02" SHEETS FOR STANDARD DETAILS, BEARING DETAILS AND STRUCTURAL NOTES.

David D Grorud
 (919) 601-1406
 DynamicDesignGroup@gmail.com
 www.DynamicDesignGroupInc.com

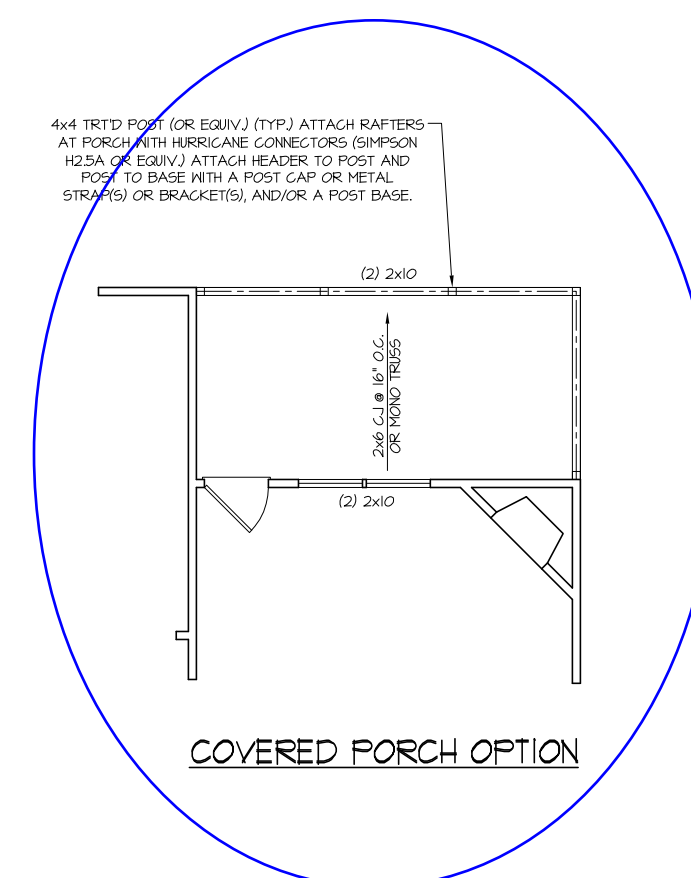
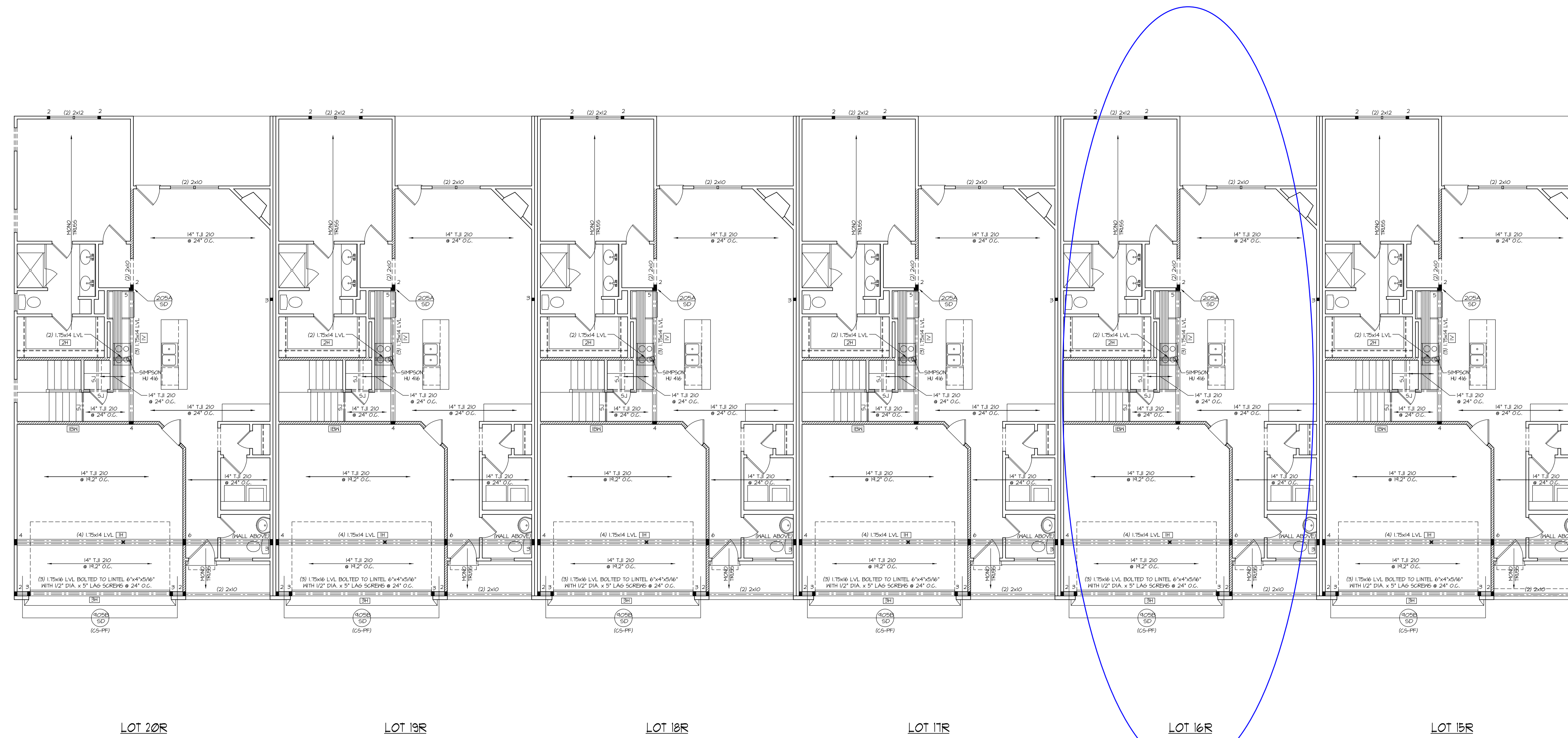
The drawings and specifications (plans) contained on these pages are the property of Dynamic Design Group and are offered to the named client or contractor for a conditional one time use. The conditional use is limited to the lot and subdivision specified herein, and only for said location. COPYRIGHT 2021

Contractor shall verify all conditions and dimensions prior to construction. Any error or omissions shall be reported to Dynamic Design Group for corrections or justification. Once construction has commenced, the contractor shall assume all responsibility.

Dimensions govern over scale, code governs over dimensions.

PROJECT FOR: CAPITOL CITY HOMES
 LOCATION: SPRING LAKE, NC
 LOT: 20R-15R
 SUBDIVISION: HAWK RIDGE DR.
 COUNTY: HARNETT

Include Covered Porch



LVL SCHEDULE PER UNIT	
1	(2) 175x44 LVL @ 24" OC
2	(2) 175x44 LVL @ 24" OC
3	(2) 175x44 LVL @ 24" OC
4	(2) 175x44 LVL @ 24" OC
5	(2) 175x44 LVL @ 24" OC

4x4 INTO POST (OR EQV) (TYP) ATTACH RAFTERS AT PORCH WITH HURRICANE CONNECTORS (EMPSON HCSA OR EQV) ATTACH HEADER TO POST AND POST TO BASE WITH A POST CAP OR METAL STRAP(S) OR BRACKET(S) AND/OR A POST BASE.

- LVL CONNECTION LEGEND**
- (2) FLY 175 BEAMS
 - (2) 175x44 LVL @ 24" OC OR
 - (2) 50x225B (OR EQV) @ 18" OC
 - (2) FLY 175 BEAMS
 - (2) 50x225C (OR EQV) @ 18" OC
 - (4) FLY 175 BEAMS
 - (2) 50x225H (OR EQV) @ 18" OC
- HEADER/BEAM & COLUMN NOTES**
- ALL EXTERIOR AND LOAD BEARING HEADERS SHALL BE MIN. 122x48 (4" WALL) OR 132x48 (6" WALL) WITH (3) SUPPORT STUDS UNLESS NOTED OTHERWISE.
 - THE NUMBER SHOWN AT BEAM AND HEADER SUPPORTS INDICATES THE NUMBER OF SUPPORT STUDS REQUIRED IN 5/8" SOCKET OR COLUMN. THE NUMBER OF KING STUDS AT EACH END OF HEADERS IN EXTERIOR WALLS SHALL BE ACCORDING TO THE 18" WALL THICKNESS OR AS BELIEVED (NO) CORRELATION WITH STUDS AT WALL OPENINGS SERVICED 1/4-3020.
 - 18" WALL (3) KING STUDS
 - OVER 3" UP TO 6" SPAN (2) KING STUDS
 - OVER 6" UP TO 6" SPAN (3) KING STUDS
 - OVER 6" UP TO 12" SPAN (4) KING STUDS
 - OVER 12" UP TO 12" SPAN (5) KING STUDS

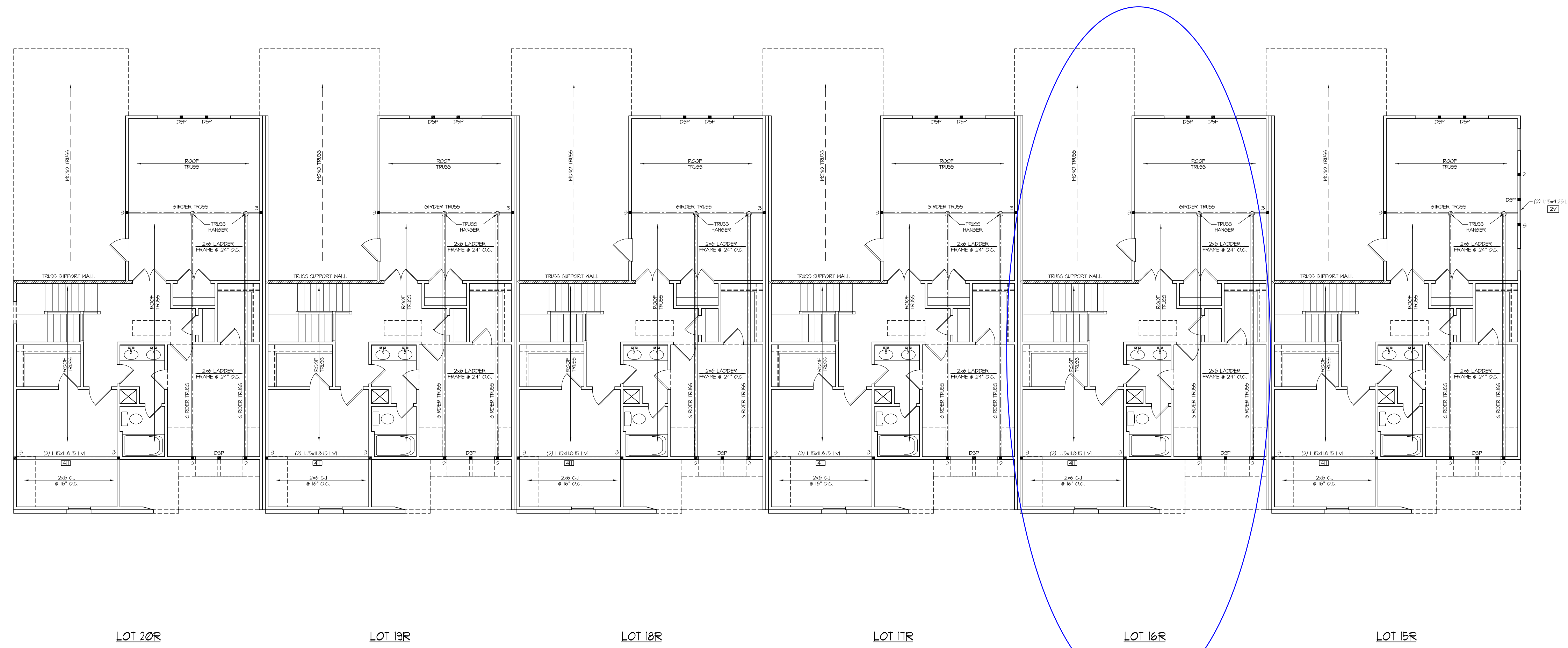
FIRST FLOOR CEILING / STRUCTURAL PLAN
 SCALE: 1/8" = 1'-0"

NOTES:
 1) SHADDED WALLS DENOTE LOAD BEARING WALLS
 2) # DENOTES ROOF STUDS

HAWK RIDGE DRIVE
 PLAN NAME
BUILDING
 PLAN I.D.
9-20-21
 DATE

S-2
 SHEET

Include Covered Porch



David D Grorud
 (919) 601-1406
 DynamicDesignGroup@gmail.com
 www.DynamicDesignGroupInc.com

The drawings and specifications (plans) contained on these pages are the property of Dynamic Design Group and are offered to the named client or contractor for a conditional one time use. The conditional use is limited to the lot and subdivision specified herein, and only for said location. COPYRIGHT 2021
 Contractor shall verify all conditions and dimensions prior to construction. Any error or omissions shall be reported to Dynamic Design Group for corrections or justification. Once construction has commenced, the contractor shall assume all responsibility. Dimensions govern over scale, code governs over dimensions.

CAPITOL
 PROJECT FOR: CITY HOMES
 LOCATION: SPRING LAKE, NC
 LOT: 20R-15R
 SUBDIVISION: HAWK RIDGE DR.
 COUNTY: HARNETT

HAWK RIDGE DRIVE

PLAN NAME

BUILDING

PLAN I.D.

9-20-21

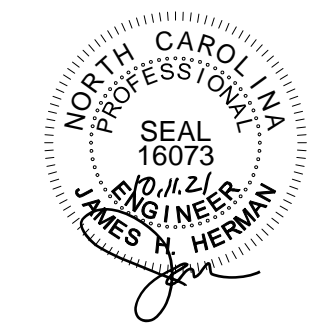
DATE

S-3

SHEET

SECOND FLOOR CEILING/
 STRUCTURAL PLAN
 SCALE: 1/4" = 1'-0"

NOTES:
 1) SHADDED WALLS DENOTE LOAD BEARING WALLS
 2) # GRATES SOLID BLOCK



STRUCTURAL DESIGN BY:
 SOUTHERN ENGINEERS, P.A.
 5716 BENSON DRIVE RALEIGH, NC 27604
 LICENSE: C-4712 ENGINEER: 18A-03-0417
 PROJECT #: 21-2674 (LOTS 15-20)
 * Engineer will apply only to structural components on this document. Seal does not include construction means, methods, techniques, sequences, procedures or safety precautions.
 * Any deviations or discrepancies on plans are to be brought to the immediate attention of Southern Engineers. Failure to do so will void Southern Engineer's liability.
 * Seal is valid for a project permitted within one year from date of seal.
 * Use of these plans constitutes approval of terms and conditions as defined in the customer agreement.

REFER TO "TOP" SHEETS FOR STANDARD DETAILS, BEARING DETAILS AND STRUCTURAL NOTES.

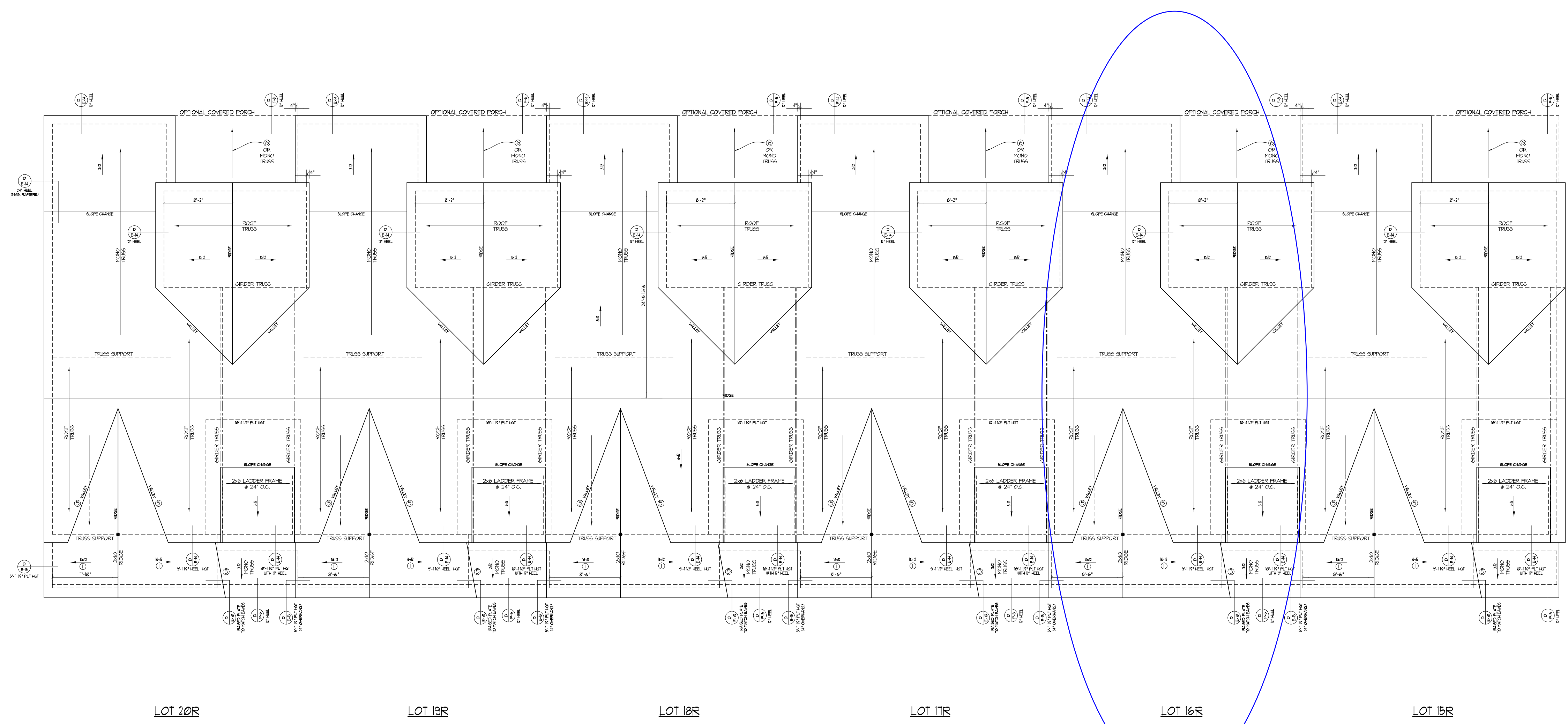
DYNAMIC DESIGN GROUP, INC.

David D Grorud
 (919) 601-1406
 DynamicDesignGroup@gmail.com
 www.DynamicDesignGroupInc.com

The drawings and specifications (plans) contained on these pages are the property of Dynamic Design Group and are offered to the named client or contractor for a conditional one time use. The conditional use is limited to the lot and subdivision specified herein, and only for said location. COPYRIGHT 2021
 Contractor shall verify all conditions and dimensions prior to construction. Any error or omissions shall be reported to Dynamic Design Group for corrections or justification. Once construction has commenced, the contractor shall assume all responsibility. Dimensions govern over scale, code governs over dimensions.

PROJECT FOR: **CAPITOL CITY HOMES**
 LOCATION: **SPRING LAKE, NC**
 LOT: **20R-15R**
 SUBDIVISION: **HAWK RIDGE DR.**
 COUNTY: **HARNETT**

HAWK RIDGE DRIVE
 PLAN NAME
BUILDING 9-20-21 DATE
 PLAN I.D.



- ROOF FRAMING NOTES:**
 NC (2018 NRC) PRS: 15-120 RPH
- 2x8 RAFTERS @ 8' O.C. WITH 2x10 RIDGE. I.D.
 - 2x10 OR 1.75x12.5 LVL. SEE DET. WHICH MAY BE CALLED WITH A 1/2" O.C. OVERLAP AT CENTER
 - 2x10 OR 1.75x12.5 LVL. VALLEY. DO NOT SPLICE
 - 1.75x12.5 LVL. OR 2x10 TRUSS LVL. VALLEY
 - FALSE FRAME VALLEY ON 2x10 PLAT. BEAM
 - 2x8 RAFTERS @ 8' O.C. W/ 2x10 RIDGE. I.D.
 - 2x10 RAFTERS @ 8' O.C. W/ 2x10 RIDGE. I.D.
 - EXTEND ROOF 2' BEYOND INTERSECTION
 - 1x6" - SINGLE RAFTER
 - 1x6" - DOUBLE RAFTER
 - 1x6" - TRUSS MEMBER
 - 1x6" - ROOF SUPPORT
 - 1 (2) 5/8" DIA. 4x4 POST FOR ROOF SUPPORT BASE. 2x8 STUDS OR 4x8 POST FOR SUPPORT OVER 8'-0" W/ HEIGHT
 - ATTACH VALUED RAFTERS WITH HURRICANE CLIPS. SIMPSON TH-254T OR EQUIVALENT. TIES TO BE INSTALLED ON THE OUTSIDE EDGE OF FRAMING.
 - INSTALL INTERIOR TIE ROD COLLAR TIE-BE SECTION R802.31 OF THE 2018 NC RESIDENTIAL CODE.

- TRUSS SYSTEM REQUIREMENTS:**
 NC (2018 NRC) PRS: 15-120 RPH
- TRUSS SYSTEM LAYOUTS (PLACEMENT PLANS) SHALL BE DESIGNED IN ACCORDANCE WITH SEALED STRUCTURAL PLANS AND ANY NEED TO CHANGE TRUSSES SHALL BE COORDINATED WITH SOUTHERN ENGINEERS.
 - TRUSS SCHEMATICS (PROFILES) SHALL BE PREPARED AND SEALED BY TRUSS MANUFACTURER.
 - ALL TRUSSES SHALL BE DESIGNED FOR BEARING ON 4x4 OR 4x8 PLATE OR LOGGERS. I.D.
 - ALL REQUIRED ANCHORS FOR TRUSSES DUE TO UPLIFT OR BEARING SHALL MEET THE REQUIREMENTS AS SPECIFIED ON THE TRUSS SCHEMATICS.

ATTIC VENTILATION (PER UNIT)	
REQUIRED:	1.632 SQ FT OF ATTIC / 1000 + .544 SQ FT OF INLET + 0.517
PROVIDED:	
ROOF:	1.632 SQ FT PER 1000 L.S. LINEAR FT. OF VENT. = 3.92 SQ FT OF VENT. PER 1000 L.S. LINEAR FT. OF VENT.
OUTLET:	1.632 SQ FT PER 1000 L.S. LINEAR FT. OF VENT. = 4.60 SQ FT OF VENT. PER 1000 L.S. LINEAR FT. OF VENT.
TOTAL:	8.32 SQ FT OF VENT.

* INCLUDES COVERED REAR PORCH OPTION

ROOF FRAMING PLAN
 SCALE: 1/8" = 1'-0"

NOTES:
 1) SEE SHEET D-1 FOR DETAILS
 2) DIMENSIONS ARE FROM EXT. OF DRAPING TO CENTER LINE OF RIDGE

STRUCTURAL DESIGN BY:
 SOUTHERN ENGINEERS, P.A.
 576 BENSON DRIVE RALEIGH, NC 27604
 LICENSE: C-1712, ISSUE: 08-03-2017
 PROJECT #: 21-2674 (LOTS 15-20)
 * Engineer seal applies only to structural components on this document. Seal does not include construction means, methods, techniques, sequences, procedures or safety precautions.
 * Any deviations or discrepancies on plans are to be brought to the immediate attention of Southern Engineers. Failure to do so will void Southern Engineer's liability.
 * Seal is valid for a project permitted within one year from date of seal.
 * Use of these plans constitutes approval of terms and conditions as defined in the customer agreement.
 REFER TO "SD" SHEETS FOR STANDARD DETAILS, BRACING DETAILS AND STRUCTURAL NOTES.

DYNAMIC DESIGN GROUP, INC.

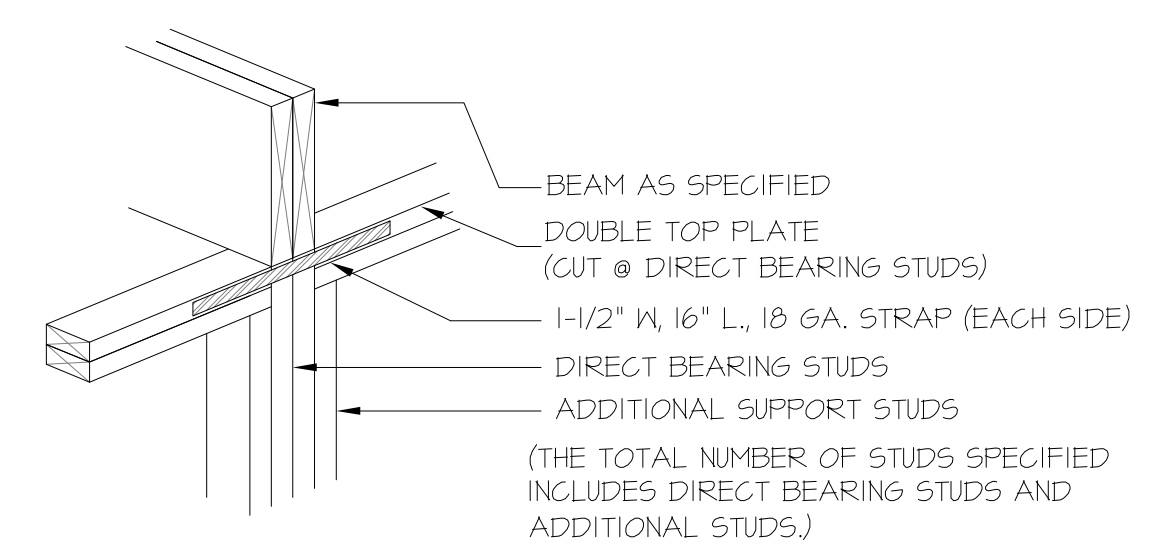
David D Grorur
 (919) 601-1406
DynamicDesignGroup@gmail.com
www.DynamicDesignGroupInc.com

The drawings and specifications (plans) contained on these pages are the property of Dynamic Design Group and are offered to the named client or contractor for a conditional one time use. The conditional use is limited to the lot and subdivision specified herein, and only for said location. COPYRIGHT 2021
 Contractor shall verify all conditions and dimensions prior to construction. Any error or omissions shall be reported to Dynamic Design Group for corrections or justification. Once construction has commenced, the contractor shall assume all responsibility. Dimensions govern over scale, code governs over dimensions.

CAPITOL PROJECT FOR: CITY HOMES
 LOCATION: SPRING LAKE, NC
 LOT: 20R-15R
 SUBDIVISION: HAWK RIDGE DR.
 COUNTY: HARNETT

HAWK RIDGE DRIVE
 PLAN NAME
 BUILDING
 PLAN I.D.
 9-20-21
 DATE

SD SHEET

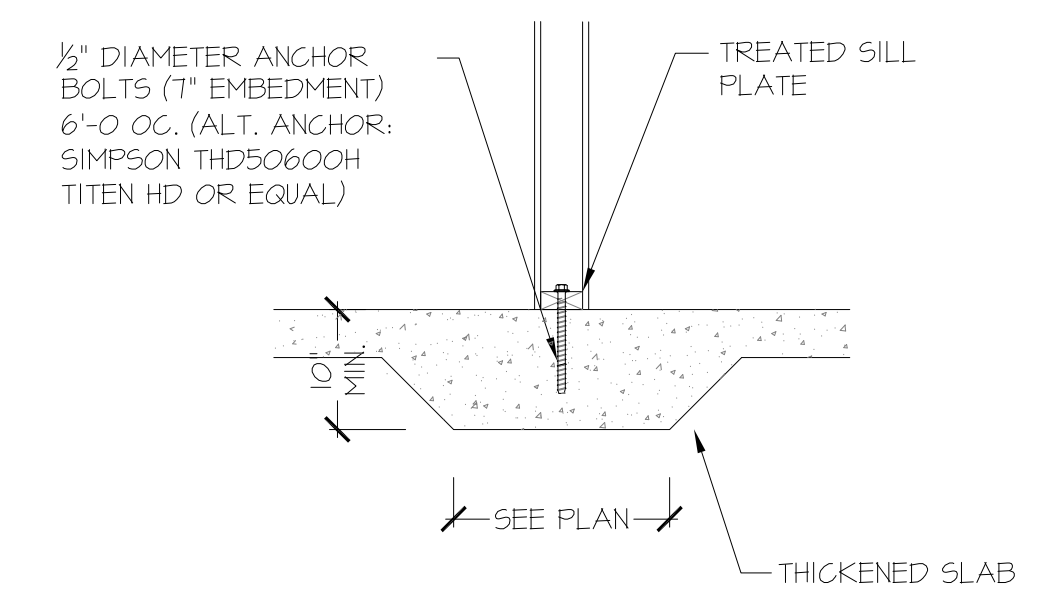


205A DIRECT STUD BEARING NTS

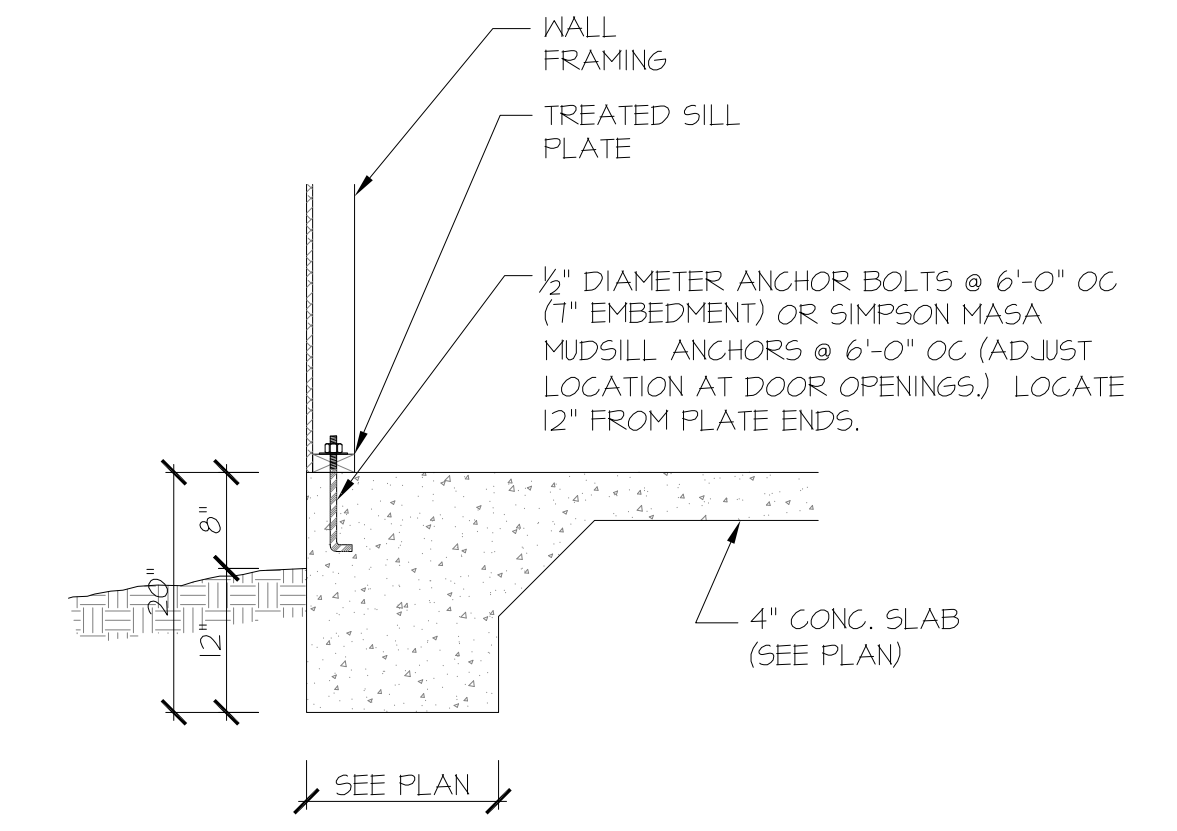
STRUCTURAL NOTES

NC (2018 NGRC): Wind: 115-120 mph

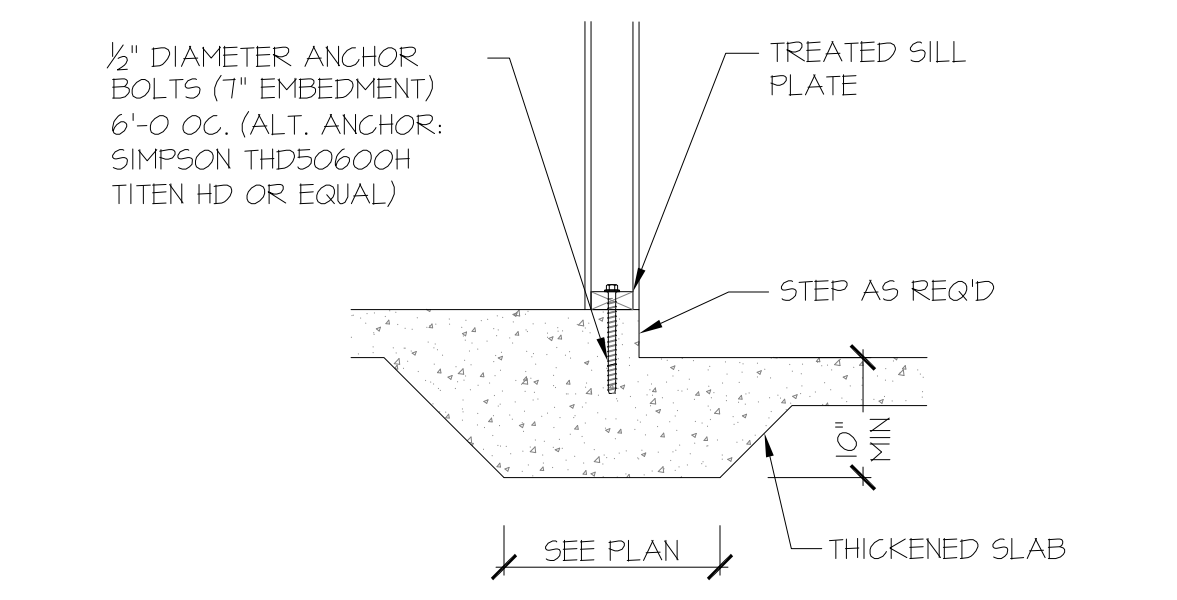
- ENGINEER'S SEAL APPLIES ONLY TO STRUCTURAL COMPONENTS INCLUDING ROOF RAFTERS, HIPs, VALLEYS, RIDGES, FLOORS, WALLS, BEAMS AND HEADERS, COLUMNS, CANTILEVERS, OFFSET LOAD BEARING WALLS, PIER & GIRDER SYSTEM, FOOTING, AND PILING SYSTEM. ENGINEER'S SEAL DOES NOT CERTIFY DIMENSIONAL ACCURACY OR ARCHITECTURAL LAYOUT INCLUDING ROOF SYSTEM. ALL REQUIREMENTS FOR PROFESSIONAL CERTIFICATION SHALL BE PROVIDED BY THE APPROPRIATE PROFESSIONAL. SOUTHERN ENGINEERS, P.A. CERTIFIES ONLY THE STRUCTURAL COMPONENTS AS SPECIFICALLY STATED.
- ALL CONSTRUCTION SHALL CONFORM TO THE LATEST REQUIREMENTS OF THE 2018 NC RESIDENTIAL CODE, PLUS ALL LOCAL CODES AND REGULATIONS. THE STRUCTURAL ENGINEER IS NOT RESPONSIBLE FOR, AND WILL NOT HAVE CONTROL OF, CONSTRUCTION MEANS, METHODS, TECHNIQUES, SEQUENCES OR PROCEDURES, OR FOR SAFETY PRECAUTIONS AND PROGRAMS IN CONNECTION WITH THE CONSTRUCTION WORK, NOR WILL THE ENGINEER BE RESPONSIBLE FOR THE CONTRACTOR'S FAILURE TO CARRY OUT THE CONSTRUCTION WORK IN ACCORDANCE WITH THE CONTRACT DOCUMENTS. "CONSTRUCTION REVIEW" SERVICES ARE NOT PART OF OUR CONTRACT. ALL MEMBERS SHALL BE FRAMED ANCHORED, TIED AND BRACED IN ACCORDANCE WITH GOOD CONSTRUCTION PRACTICE AND THE BUILDING CODE.
- DESIGN LOADS (LISTED AS: LIVE LOAD, DEAD LOAD, DEFLECTION)
 - ROOMS OTHER THAN SLEEPING ROOMS: (40 PSF, 10 PSF, L/360)
 - SLEEPING ROOMS: (30 PSF, 10 PSF, L/360)
 - ATTIC WITH PERMANENT STAIRS: (40 PSF, 10 PSF, L/360)
 - ATTIC WITHOUT PERMANENT STAIR: (20 PSF, 10 PSF, L/360)
 - ATTIC WITHOUT STORAGE: (10 PSF, 10 PSF, L/240)
 - STAIRS: (40 PSF, 10 PSF, L/360)
 - EXTERIOR BALCONIES: (60 PSF, 10 PSF, L/360)
 - DECKS: (40 PSF, 10 PSF, L/360)
 - GUARDRAILS AND HANDRAILS: (200 LBS)
 - PASSENGER VEHICLE GARAGES: (30 PSF, 10 PSF, L/360)
 - FIRE ESCAPES: (40 PSF, 10 PSF, L/360)
 - SNOW: (20 PSF)
- WALLS SHALL BE BRACED BY SHEATHING WALLS ON ALL STORIES WITH WOOD STRUCTURAL PANELS. SEE FRAMING NOTES FOR THICKNESS AND NAILING REQUIREMENTS.
- SEE APPENDIX M (DCA6) FOR EXTERIOR DECK REQUIREMENTS INCLUDING ATTACHMENTS FOR LATERAL LOADS.
- CONCRETE SHALL HAVE A MINIMUM 28 DAY STRENGTH OF 3000 PSI AND A MAXIMUM SLUMP OF 5 INCHES UNLESS NOTED OTHERWISE (UNO). AIR ENTRAINED PER TABLE 402.2. ALL CONCRETE SHALL BE PROPORTIONED, MIXED, HANDLED, SAMPLED, TESTED, AND PLACED IN ACCORDANCE WITH ACI STANDARDS. ALL SAMPLES FOR PUMPING SHALL BE TAKEN FROM THE EXIT END OF THE PUMP. CONTROL JOINTS IN SLABS SHALL BE SPACED ON A GRID OF +30 TIMES THE DEPTH (D). CONTROL JOINTS SHALL BE SAWCUT TO A DEPTH OF 1/3 (I.E. 4" CONCRETE SLABS SHALL HAVE 1 1/2" DEEP CONTROL JOINTS SAWCUT IN SLAB ON A +1'-0" x +1'-0" GRID).
- ALLOWABLE SOIL BEARING PRESSURE ASSUMED TO BE 2000 PSF. THE CONTRACTOR MUST CONTACT A GEOTECHNICAL ENGINEER AND THE STRUCTURAL ENGINEER IF UNSATISFACTORY SUBSURFACE CONDITIONS ARE ENCOUNTERED. THE SURFACE AREA ADJACENT TO THE FOUNDATION WALL SHALL BE PROVIDED WITH ADEQUATE DRAINAGE, AND SHALL BE GRADED SO AS TO DRAIN SURFACE WATER AWAY FROM FOUNDATION WALLS.
- ALL FRAMING LUMBER SHALL BE SPF #2 (Fb = 875 PSI) UNLESS NOTED OTHERWISE (UNO). ALL TREATED LUMBER SHALL BE SYP # 2. PLATE MATERIAL MAY BE SPF # 3 OR SYP #3 (F_c/perp) = 425 PSI - MIN.
 - L.V.L. SHALL BE LAMINATED VENEER LUMBER: Fb=2600 PSI, Fv=285 PSI, E=1.9x10⁶ PSI.
 - P.S.L. SHALL BE PARALLEL STRAND LUMBER: Fb=2400 PSI, Fv=240 PSI, E=2.0x10⁶ PSI.
 - L.S.L. SHALL BE LAMINATED STRAND LUMBER: Fb=2250 PSI, Fv=400 PSI, E=1.55x10⁶ PSI. INSTALL ALL CONNECTIONS PER MANUFACTURER'S INSTRUCTIONS.
- ALL ROOF TRUSS AND I-JOIST LAYOUTS SHALL BE PREPARED IN ACCORDANCE WITH THE SEALED STRUCTURAL DRAWINGS. TRUSSES AND I-JOISTS SHALL BE INSTALLED ACCORDING TO THE MANUFACTURER'S SPECIFICATIONS. ANY CHANGE IN TRUSS OR I-JOIST LAYOUT SHALL BE COORDINATED WITH SOUTHERN ENGINEERS.
- ALL STRUCTURAL STEEL SHALL BE ASTM A-36. STEEL BEAMS SHALL BE SUPPORTED AT EACH END WITH A MINIMUM BEARING LENGTH OF 3 1/2 INCHES AND FULL FLANGE WIDTH. PROVIDE SOLID BEARING FROM BEAM SUPPORT TO FOUNDATION. BEAMS SHALL BE ATTACHED TO EACH SUPPORT WITH TWO LAG SCREWS (1/2" DIAMETER x 4" LONG). LATERAL SUPPORT IS CONSIDERED ADEQUATE PROVIDING THE JOIST ARE TOE NAILED TO THE SOLE PLATE, AND SOLE PLATE IS NAILED OR BOLTED TO THE BEAM FLANGE @ 48" O.C. ALL STEEL TUBING SHALL BE ASTM A500.
- REBAR SHALL BE DEFORMED STEEL, ASTM615, GRADE 60. LAP ALL REBAR SPLICES 30 BAR DIAMETERS.
- FLITCH BEAMS SHALL BE BOLTED TOGETHER USING (2) ROWS OF 1/2" DIAMETER BOLTS (ASTM A325) WITH WASHERS PLACED UNDER THE THREADED END OF BOLT. BOLTS SHALL BE SPACED AT 24" O.C. (MAX), AND STAGGERED AT THE TOP AND BOTTOM OF BEAM (2" EDGE DISTANCE), WITH 2 BOLTS LOCATED AT 6" FROM EACH END.
- BRICK LINTELS (WHEN REQUIRED) SHALL BE 3 1/2"x3 1/2"x1/4" STEEL ANGLE FOR UP TO 6'-0" SPAN AND 6"x4"x5/16" STEEL ANGLE WITH 6" LEG VERTICAL FOR SPANS UP TO 9'-0". SEE PLANS FOR SPANS OVER 9'-0". SEE ALSO SECTION R703.3.3 LINTELS.



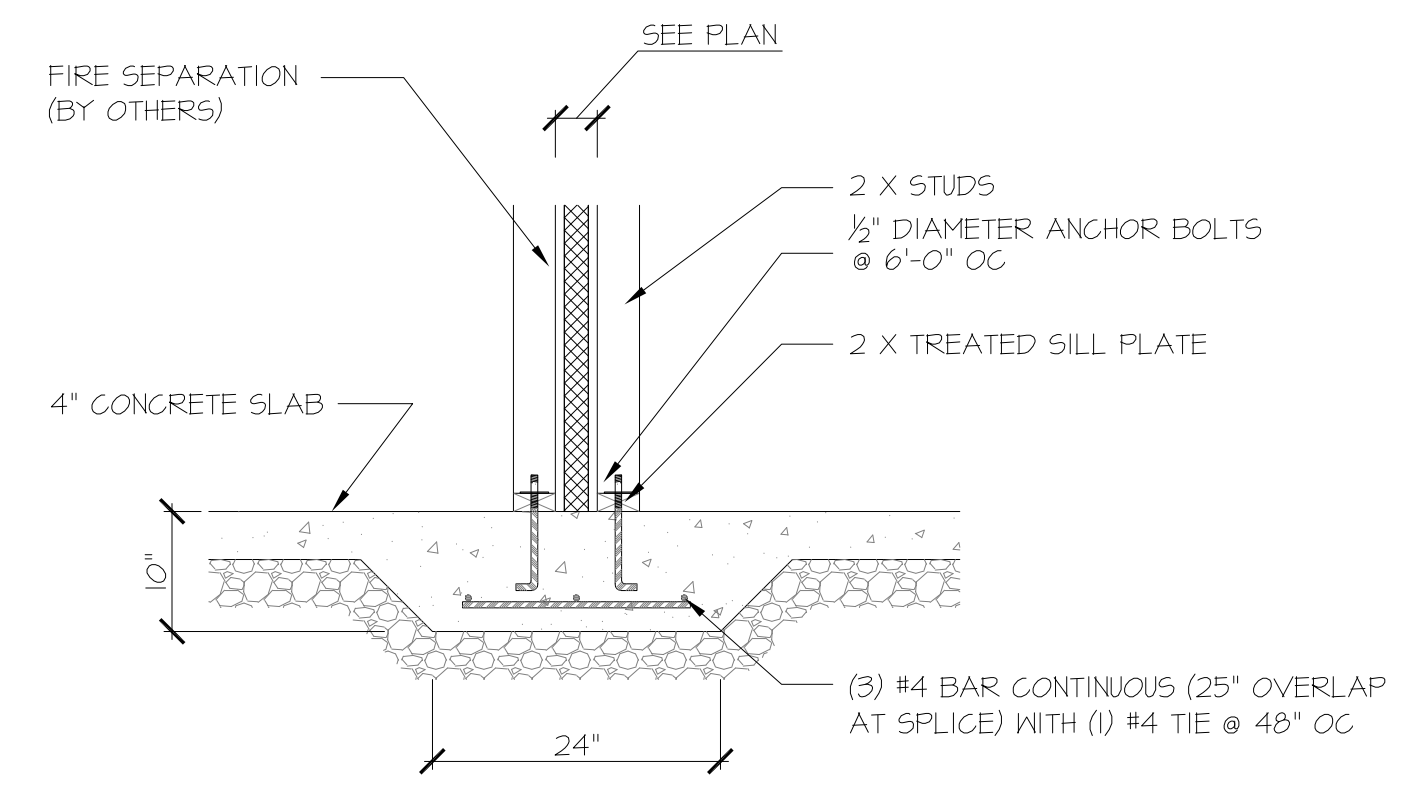
115-120 THICKENED SLAB (INTERIOR BEARING WALL) MPH



115-120 MONOLITHIC SLAB FOOTING (SIDING OR EQUAL) MPH



115-120 THICKENED SLAB @ GARAGE (INTERIOR GARAGE WALL) MPH

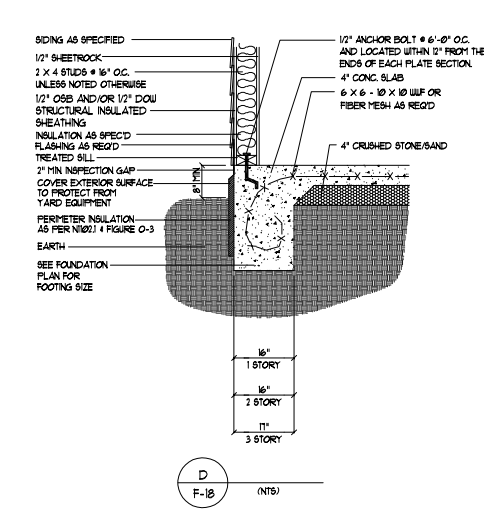
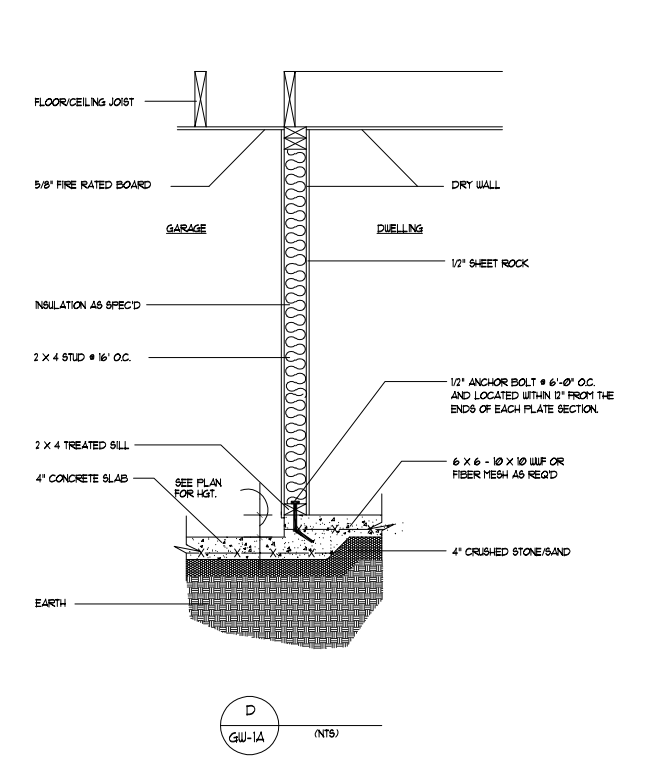
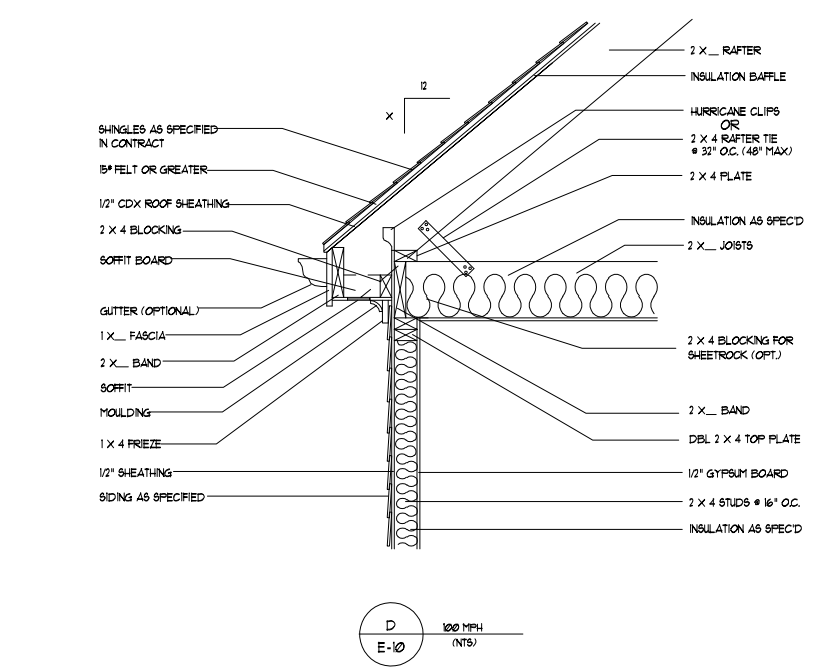
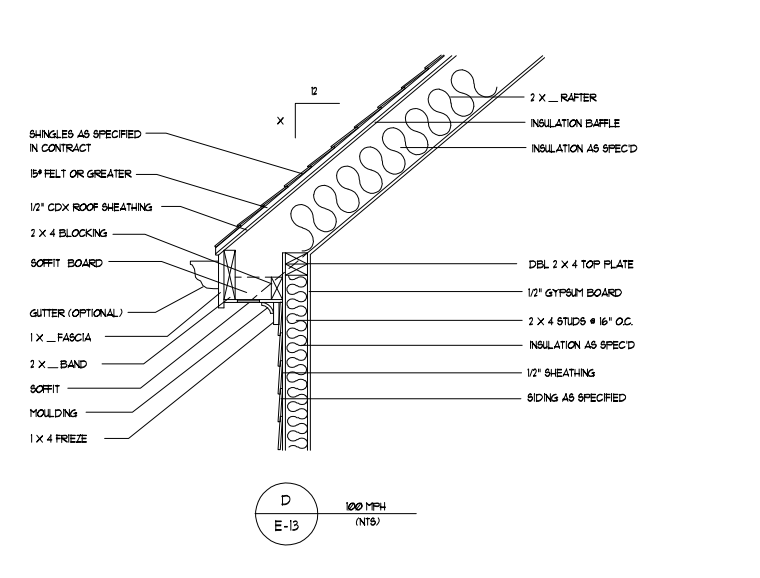
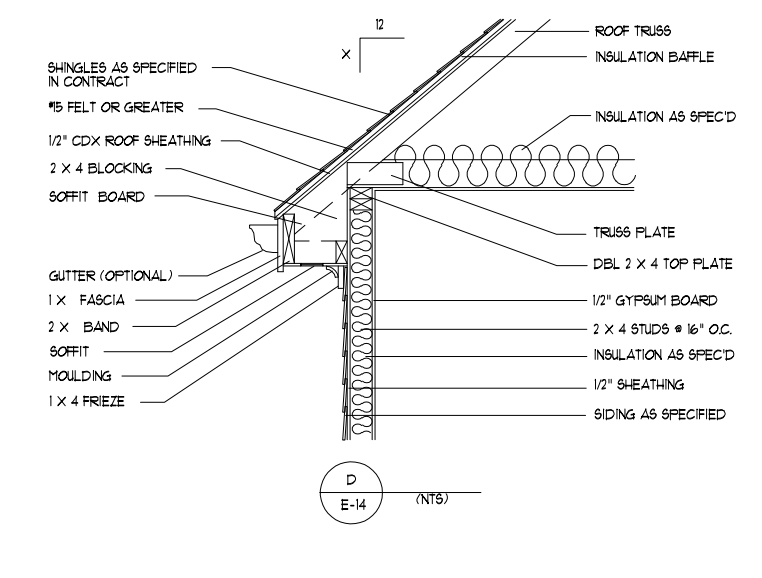
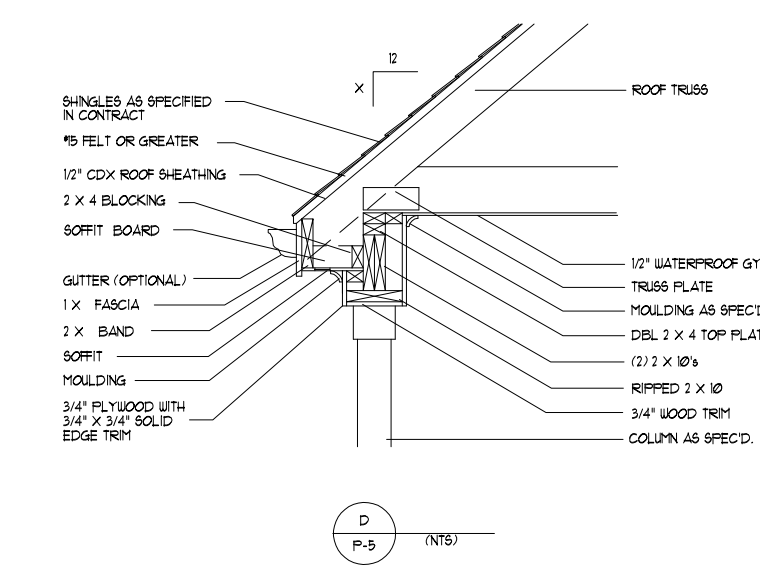
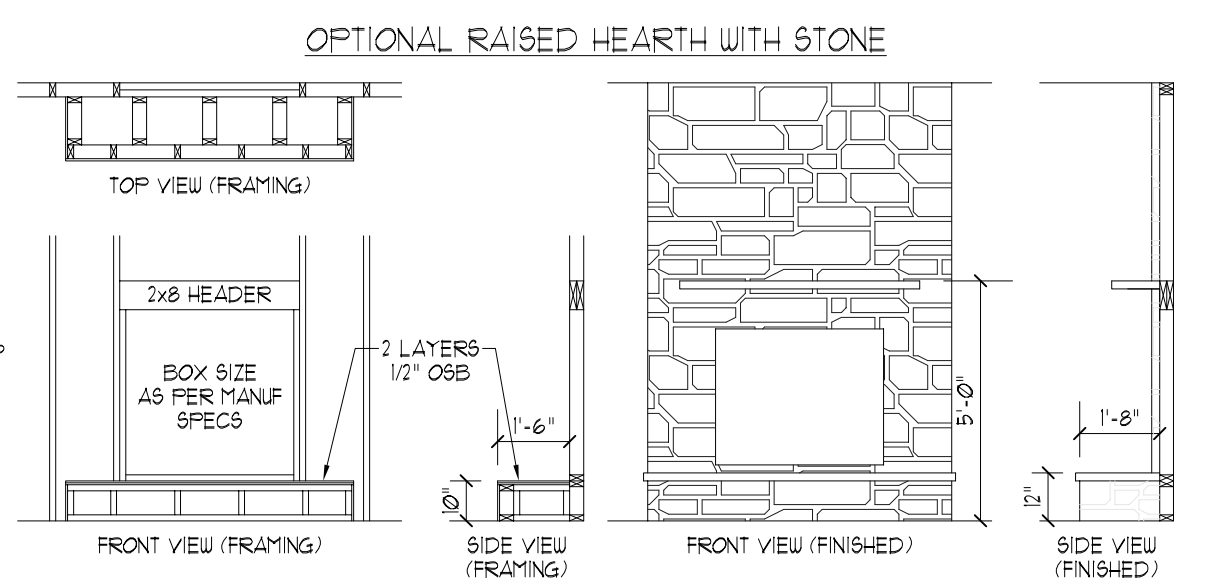
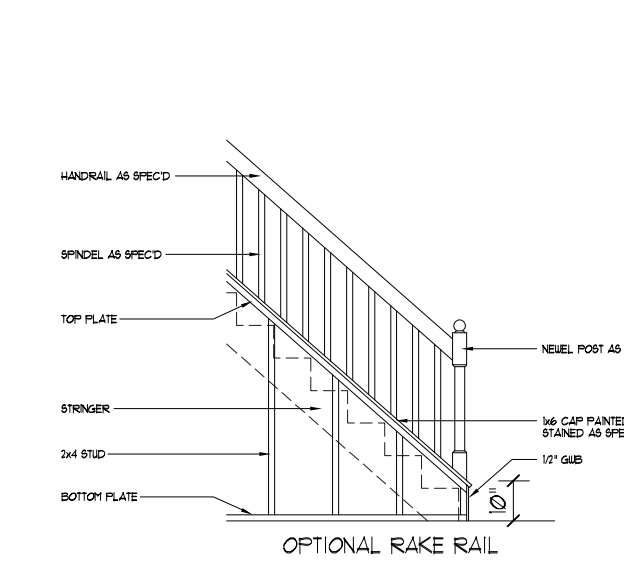
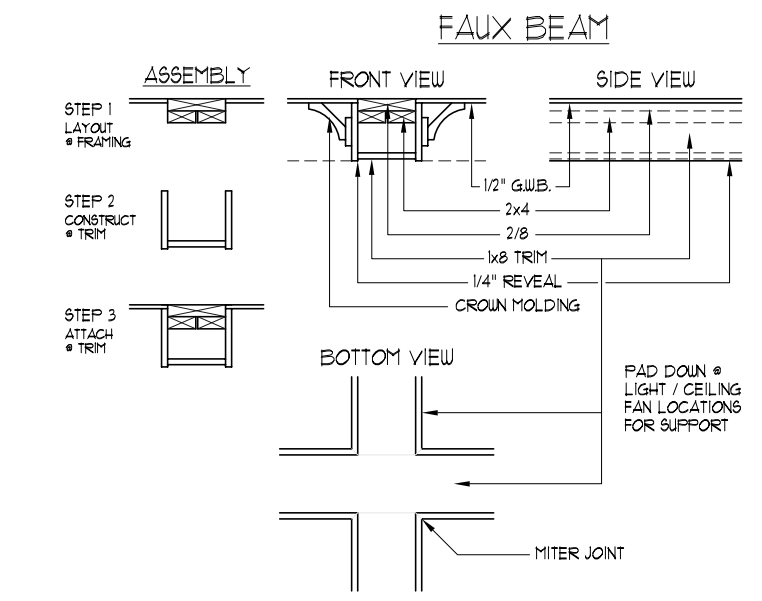
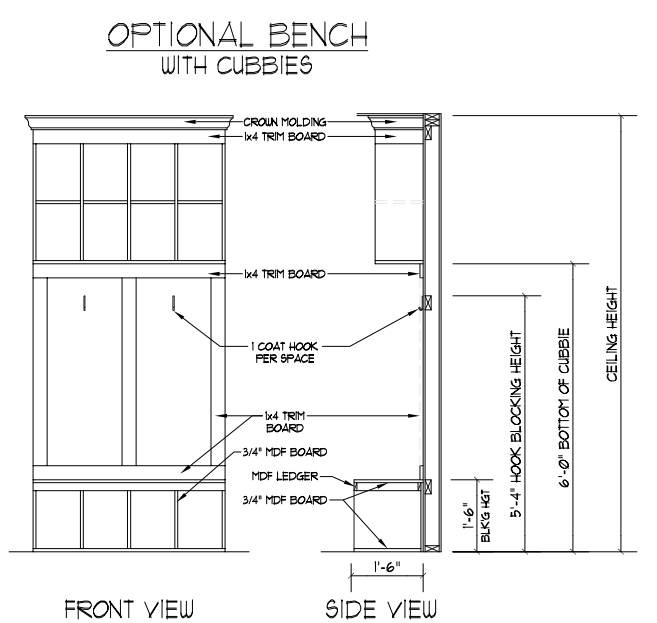
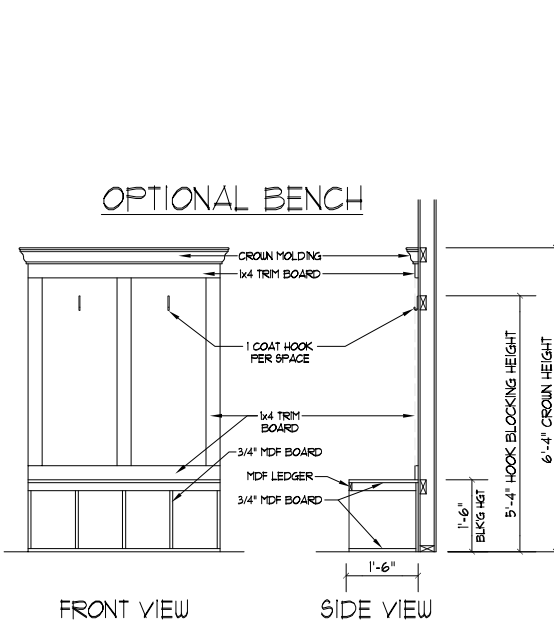
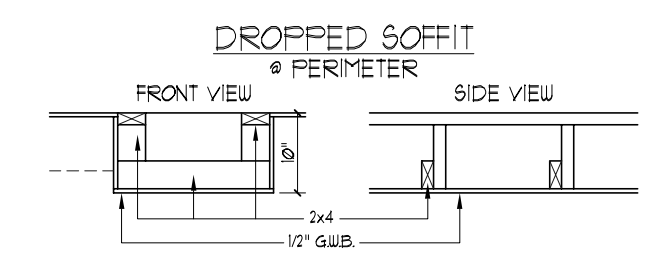
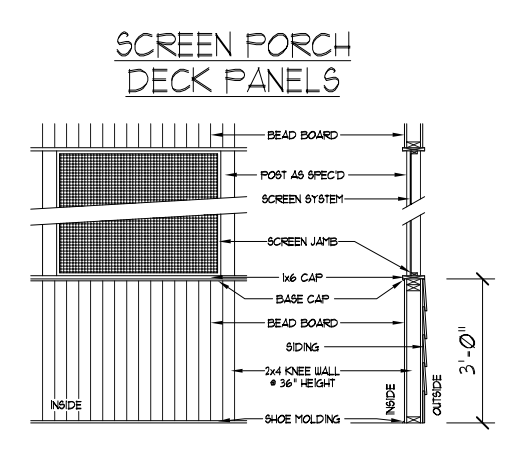
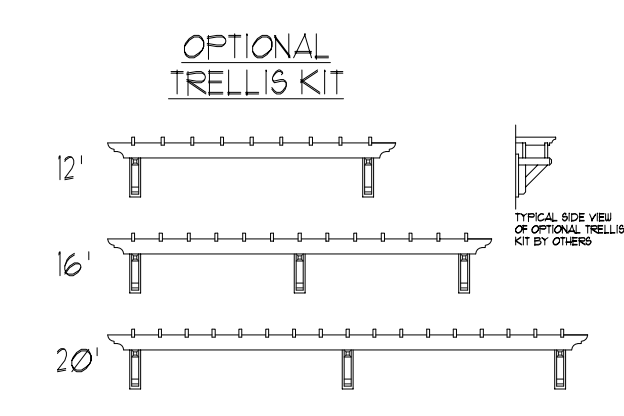
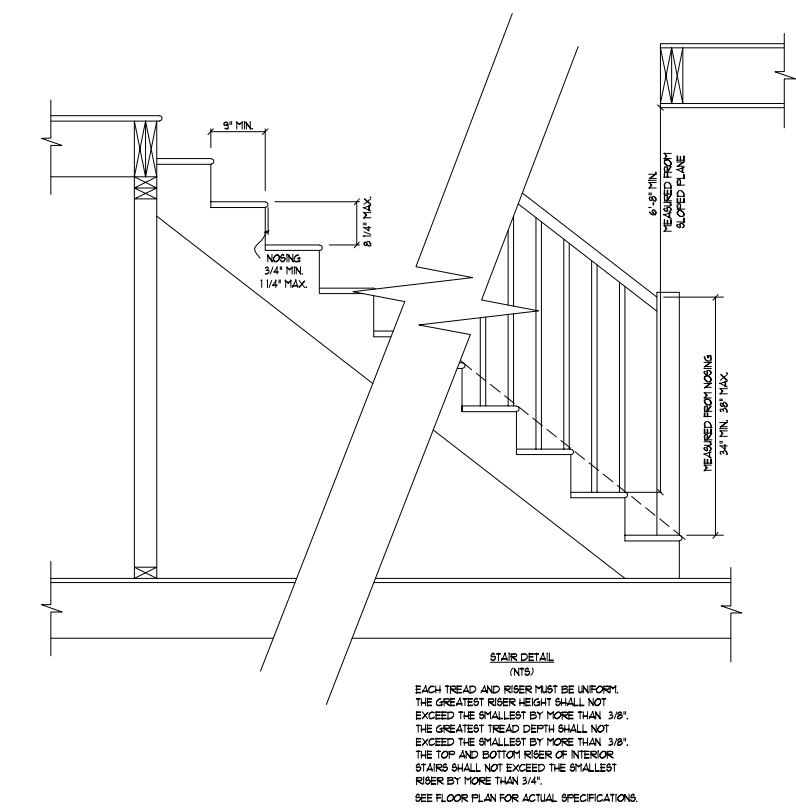


115-120 THICKENED SLAB BETWEEN UNITS MPH

FRAMING NOTES

NC (2018 NGRC): Wind: 115-120 mph

- BRACING METHOD AND TYPE, CONTINUOUSLY SHEATHED WSP. C5-WSP. NOTE THAT THE WALL BRACING AMOUNT PROVIDED ON THE PLANS (DETAILS AND SPECIFICATIONS) IS GREATER THAN THE AMOUNT OF WALL BRACING REQUIRED BY SECTION R602.10 OF THE CODE. SEE NOTES BELOW FOR DETAILS AND SPECIFICATIONS FOR WALL BRACING AND WALL FRAMING.
- EXTERIOR WALL SHEATHING: WALLS SHALL BE BRACED BY SHEATHING WALLS ON ALL STORIES WITH WOOD STRUCTURAL PANEL SHEATHING (WSP) (EXPOSURE B, 7/16", EXPOSURE C: 15/32"). SHEATHING SHALL BE ATTACHED WITH 8d NAILS AT A 6"X12" NAILING PATTERN (6" OC AT PANEL EDGES AND 12" OC AT INTERMEDIATE SUPPORTS). INSTALL BLOCKING AT ALL PANEL EDGES.
- WSP SHEATHING SHALL EXTEND TO THE UPPERMOST DOUBLE BEARING PLATE. BLOCK AT ROOF PER SECTION R602.10.4.5 AND ATTACH BRACED WALLS PER CODE. WSP SHEATHING BETWEEN FLOORS SHALL BE SPLICED ALONG CONTINUOUS BAND OR THE WSP SHEATHING MAY BE SPLICED ACROSS STUDS (CONTINUOUS ACROSS FLOOR SYSTEM) WITH BLOCKING AT PANEL EDGES. (MINIMUM 12" BEYOND FLOOR BREAK) OR OTHER APPROVED METHOD.
- "HD" = HOLD-DOWN: HOLD-DOWN DEVICE (NOTED AS "HD" ON PLANS) SHALL BE AN 800 POUND CAPACITY ASSEMBLY AS NOTED ON PLANS. SEE DETAILS FOR HD ASSEMBLY.
 - **GROUND/FIRST FLOOR: USE "HD HOLD-DOWN DETAIL" ON SD SHEET (OR EQUIV.)
 - **UPPER FLOORS: ATTACH BASE OF KING STUD WITH A SIMPSON C522 STRAP DOWN ACROSS THE BAND AND DOWN TO A STUD BELOW OR HEADER BELOW. EXTEND STRAP 1" MIN ALONG EACH STUD (OR HEADER) AND ATTACH EACH END W/ (7) 8d NAILS.
- INTERIOR BRACED WALL: (NOTED AS "IBW" ON PLANS) ATTACH 1/2" GYPSUM BOARD (GB) ON EACH SIDE OF WALL WITH A MIN. OF 5d COOLER NAILS OR #6 SCREWS @ 1" O.C. ALONG THE EDGES AND AT INTERMEDIATE SUPPORTS.
- INTERIOR BRACED WALL-WOOD STRUCTURAL PANEL: (NOTED AS "IBW-WSP" ON PLANS). ATTACH ONE SIDE WITH 3/8" WSP SHEATHING WITH 8d NAILS AT A 6"X12" NAILING PATTERN (6" OC AT PANEL EDGES AND 12" OC AT INTERMEDIATE SUPPORTS). INSTALL BLOCKING AT ALL PANEL EDGES. ATTACH GB OVER WSP AS REQUIRED. ATTACH OPPOSITE SIDE WITH 1/2" GB WITH A MIN. OF 5d COOLER NAILS OR #6 SCREWS @ 1" OC ALONG THE EDGES AND AT INTERMEDIATE SUPPORTS.



David D Grorud
 (919) 601-1406
 DynamicDesignGroup@gmail.com
 www.DynamicDesignGroupInc.com

The drawings and specifications (plans) contained on these pages are the property of Dynamic Design Group and are offered to the named client or contractor for a conditional one time use. The conditional use is limited to the lot and subdivision specified herein, and only for said location. COPYRIGHT 2021
 Contractor shall verify all conditions and dimensions prior to construction. Any error or omissions shall be reported to Dynamic Design Group for corrections or justification. Once construction has commenced, the contractor shall assume all responsibility. Dimensions govern over scale, code governs over dimensions.

PROJECT FOR: **CAPITOL CITY HOMES**
 LOCATION: **SPRING LAKE, NC**
 LOT: **20R-15R**
 SUBDIVISION: **HAWK RIDGE DR.**
 COUNTY: **HARNETT**

HAWK RIDGE DRIVE
 PLAN NAME
BUILDING
 PLAN I.D.
9-20-21
 DATE
D-1
 SHEET