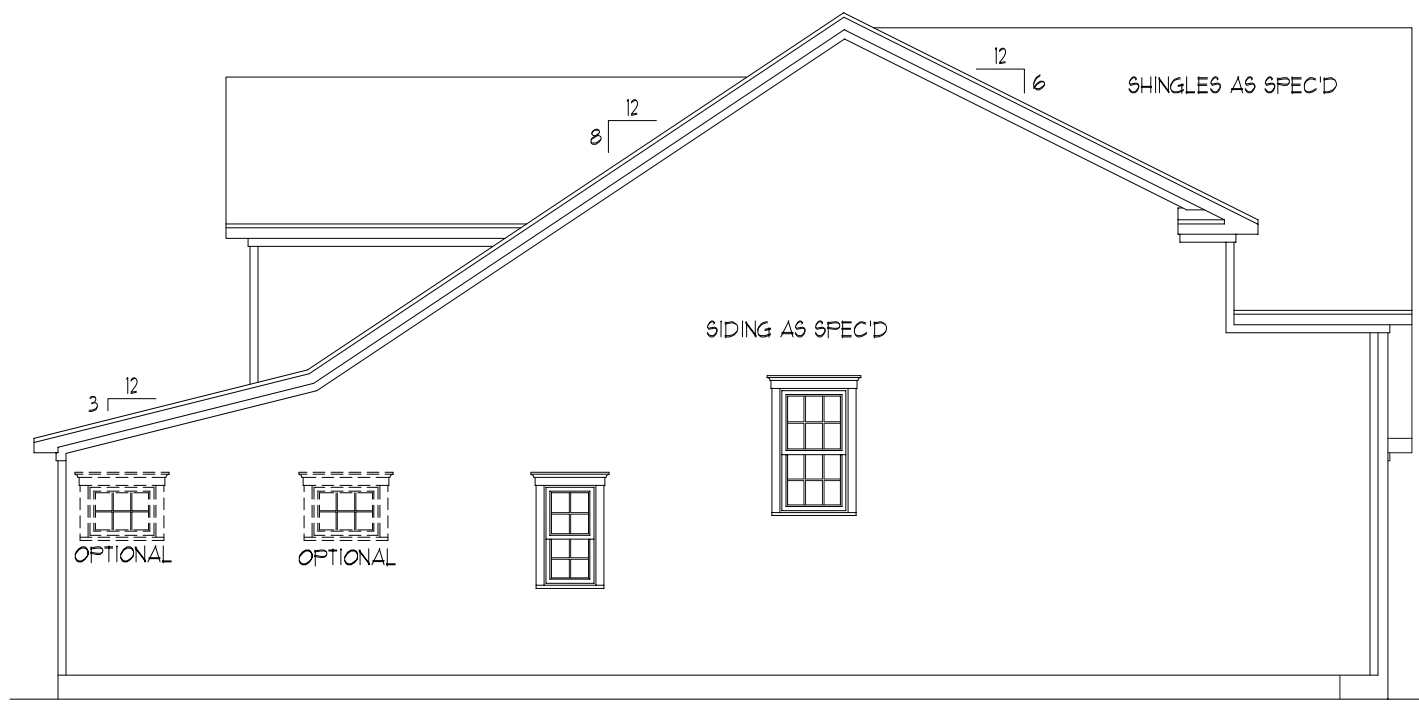


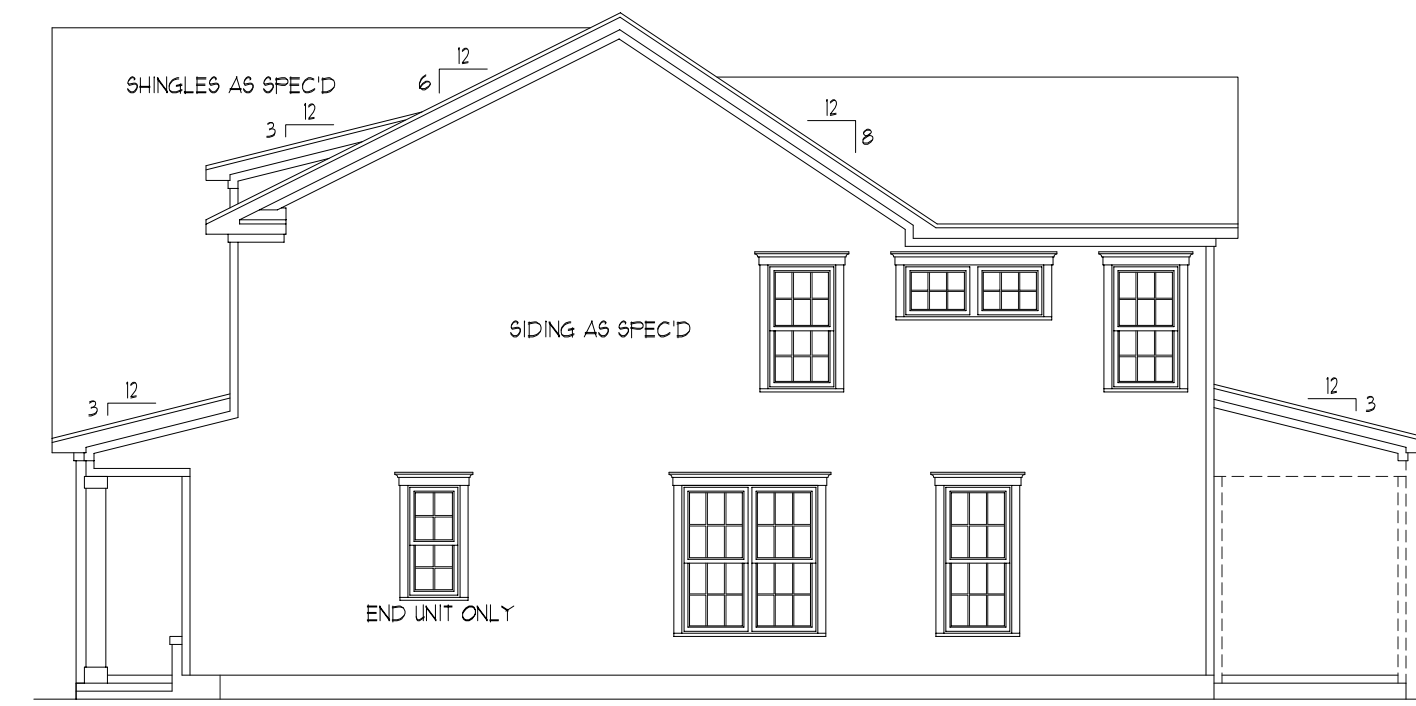
Community	Lot	Address	City, Zip Code	Building Permit #
The Villas at Anderson Creek	15	58 Hawk Ridge Drive	Spring Lake 28390	BRES2111-0011
The Villas at Anderson Creek	16	62 Hawk Ridge Drive	Spring Lake 28390	BRES2111-0013
The Villas at Anderson Creek	17	66 Hawk Ridge Drive	Spring Lake 28390	BRES2111-0012
The Villas at Anderson Creek	18	70 Hawk Ridge Drive	Spring Lake 28390	BRES2111-0016
The Villas at Anderson Creek	19	74 Hawk Ridge Drive	Spring Lake 28390	BRES2111-0015
The Villas at Anderson Creek	20	78 Hawk Ridge Drive	Spring Lake 28390	BRES2111-0014



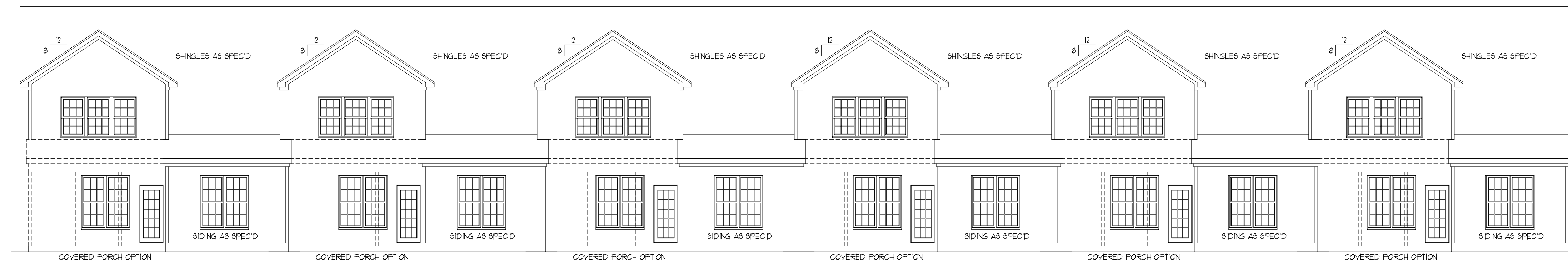
FRONT ELEVATION
SCALE: 1/8" = 1'-0"



LEFT SIDE ELEVATION
SCALE: 1/8" = 1'-0"



RIGHT SIDE ELEVATION
SCALE: 1/8" = 1'-0"



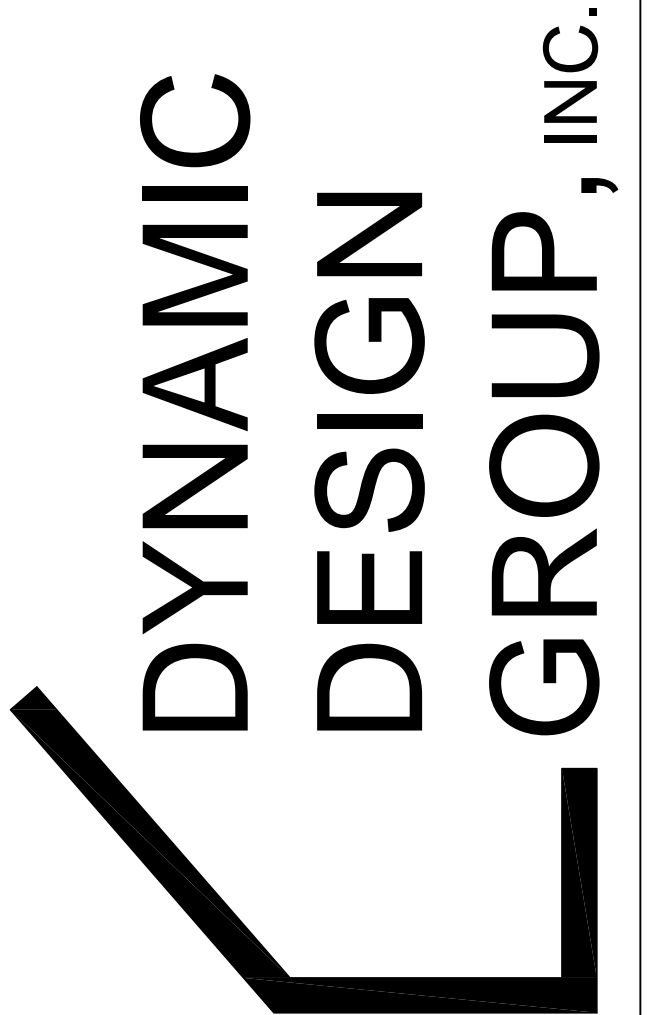
REAR ELEVATION
SCALE: 1/8" = 1'-0"

NOTICE TO CONTRACTOR
All construction must comply with current NC Building Codes and is subject to field inspection and verification.

APPROVED
Limited building only review.
Permit holder responsible for full compliance with the code.

02/07/2022

Plan revised to crawlspace
02/18/2022 B.S.



David D Grorud
(919) 601-1406
DynamicDesignGroup@gmail.com
www.DynamicDesignGroupInc.com

The drawings and specifications (plans) contained on these pages are the property of Dynamic Design Group and are offered to the named client or contractor for a conditional use limited to the lot and subdivision specified herein, and only for said location. COPYRIGHT 2021

Contractor shall verify all conditions and dimensions prior to construction. Any error or omissions shall be reported to Dynamic Design Group for corrections or justification. Once construction has commenced, the contractor shall assume all responsibility. Dimensions govern over scale, code governs over dimensions.

CAPITOL PROJECT FOR: CITY HOMES
LOCATION: SPRING LAKE, NC
LOT: 20R-15R
SUBDIVISION: HAWK RIDGE DR.
COUNTY: HARNETT

HAWK RIDGE DRIVE
PLAN NAME

BUILDING
PLAN I.D.

9-20-21
DATE

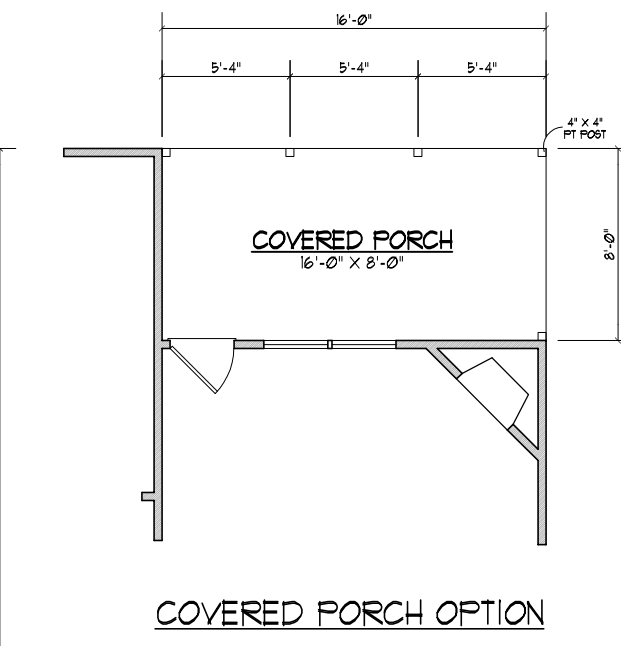
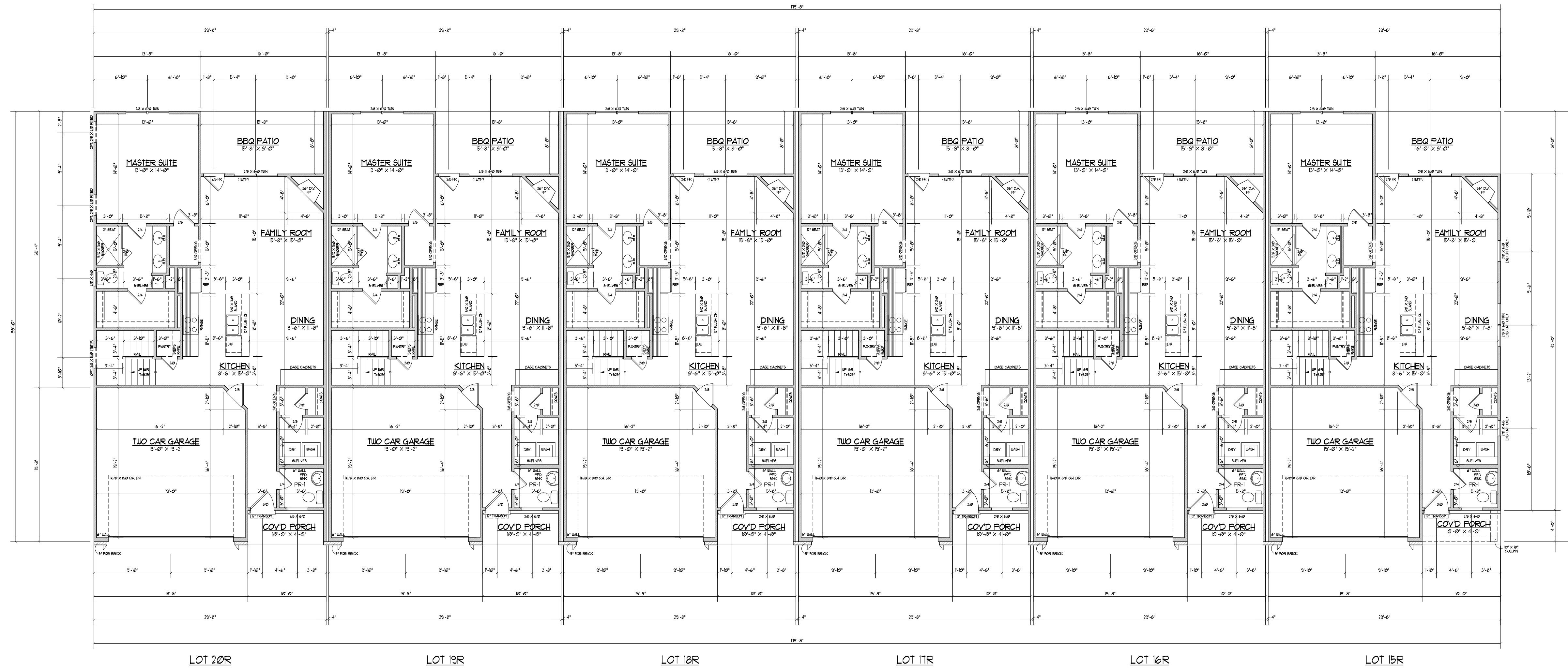
A-1
SHEET

David D Grorud
 (919) 601-1406
 DynamicDesignGroup@gmail.com
 www.DynamicDesignGroupInc.com

The drawings and specifications (plans) contained on these pages are the property of Dynamic Design Group and are offered to the named client or contractor for a conditional one time use. The conditional use is limited to the lot and subdivision specified herein, and only for said location. COPYRIGHT 2021

Contractor shall verify all conditions and dimensions prior to construction. Any error or omissions shall be reported to Dynamic Design Group for corrections or justification. Once construction has commenced, the contractor shall assume all responsibility. Dimensions govern over scale, code governs over dimensions.

PROJECT FOR: **CAPITOL CITY HOMES**
 LOCATION: **SPRING LAKE, NC**
 LOT: **20R-15R**
 SUBDIVISION: **HAWK RIDGE DR.**
 COUNTY: **HARNETT**



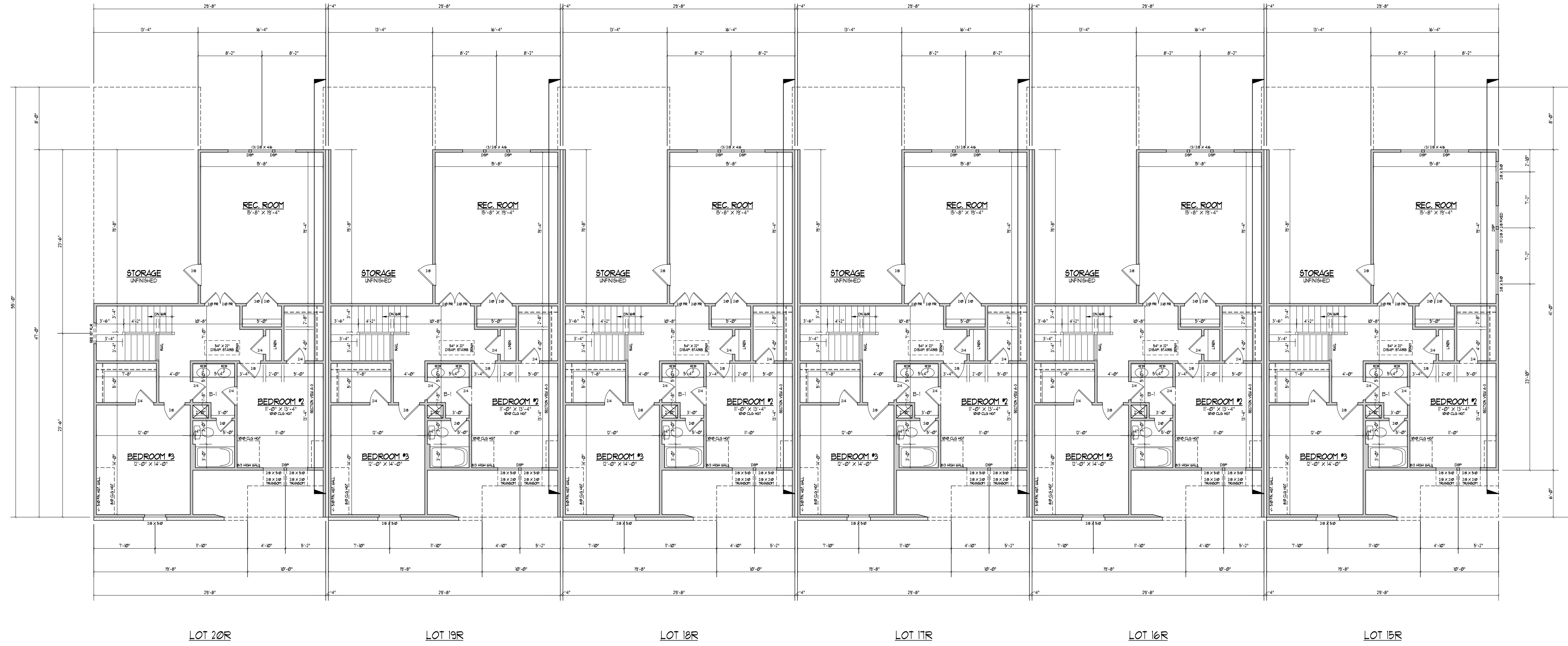
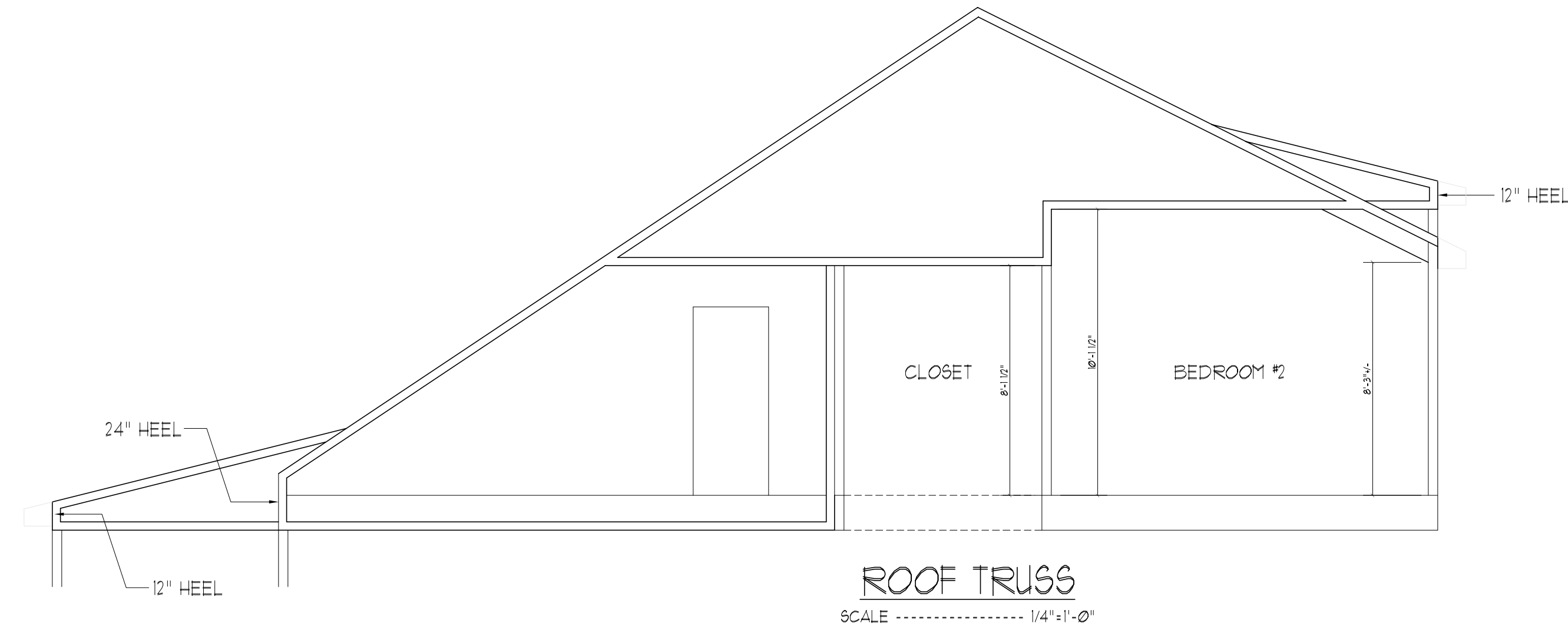
FIRST FLOOR PLAN
 SCALE: 1/8" = 1'-0"

693 HEATED SQ. FT.
 179 SQ. FT. GARAGE
 62 SQ. FT. COVERED PORCH
 28 SQ. FT. BBQ PATIO / COVD. PORCH
 SQUARE FOOTAGES PER UNIT

- NOTES:
- 1) 3/4" CLS. HGT. 19 - 1/2" PLY. HGT. UNLESS OTHERWISE NOTED.
 - 2) ALL WALLS DRAWN AT 1/2" HGT.
 - 3) SET FINISHES AT 1/2" HGT.
 - 4) DIMENSIONS ARE TO FINISHING UNLESS OTHERWISE NOTED.
 - 5) CONSULT UNIFORM MANUFACTURER'S SPEC'S FOR MEMBER REQUIREMENTS, PRESSURE RATINGS, & FINISH OPTIONS.

HAWK RIDGE DRIVE
 PLAN NAME
BUILDING
 PLAN I.D.
9-20-21
 DATE

A-2
 SHEET



SECOND FLOOR PLAN
 SCALE 1/8"=1'-0"
 875 HEATED SQ. FT.
 SQUARE FOOTAGE PER UNIT

- NOTES:
- 1/8"=0" CLG. HGT. (8' - 1 1/2" PLT. HGT.) UNLESS OTHERWISE NOTED.
 - ALL WALLS FIGURED AT 4" WIDTHS UNLESS OTHERWISE NOTED.
 - SET WINDOWS AT 6" R. A.S.P. UNLESS OTHERWISE NOTED.
 - DIMENSIONS ARE TO FINISHING UNLESS OTHERWISE NOTED.
 - CONSULT WINDOW MANUFACTURER'S SPEC'S FOR EGRESS REQUIREMENTS, PRESSURE RATINGS & ROUGH OPENINGS.

David D Grorud
 (919) 601-1406
 DynamicDesignGroup@gmail.com
 www.DynamicDesignGroupInc.com

The drawings and specifications (plans) contained on these pages are the property of Dynamic Design Group and are offered to the named client or contractor for a conditional one time use. The conditional use is limited to the lot and subdivision specified herein, and only for said location. COPYRIGHT 2021

Contractor shall verify all conditions and dimensions prior to construction. Any error or omissions shall be reported to Dynamic Design Group for corrections or justification. Once construction has commenced, the contractor shall assume all responsibility. Dimensions govern over scale, code governs over dimensions.

CAPITOL
 PROJECT FOR: CITY HOMES
 LOCATION: SPRING LAKE, NC
 LOT: 20R-15R
 SUBDIVISION: HAWK RIDGE DR.
 COUNTY: HARNETT

HAWK RIDGE DRIVE
 PLAN NAME
BUILDING 9-20-21 DATE
 PLAN I.D.

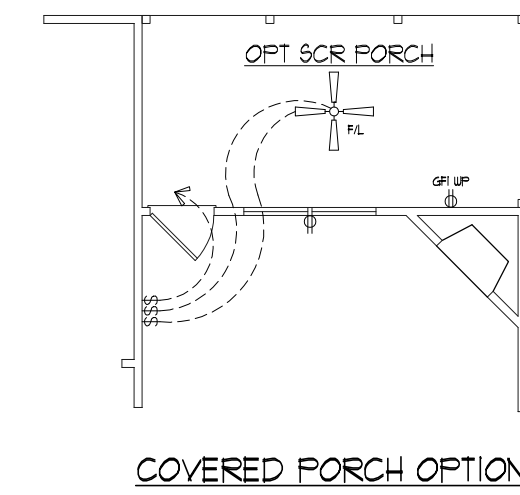
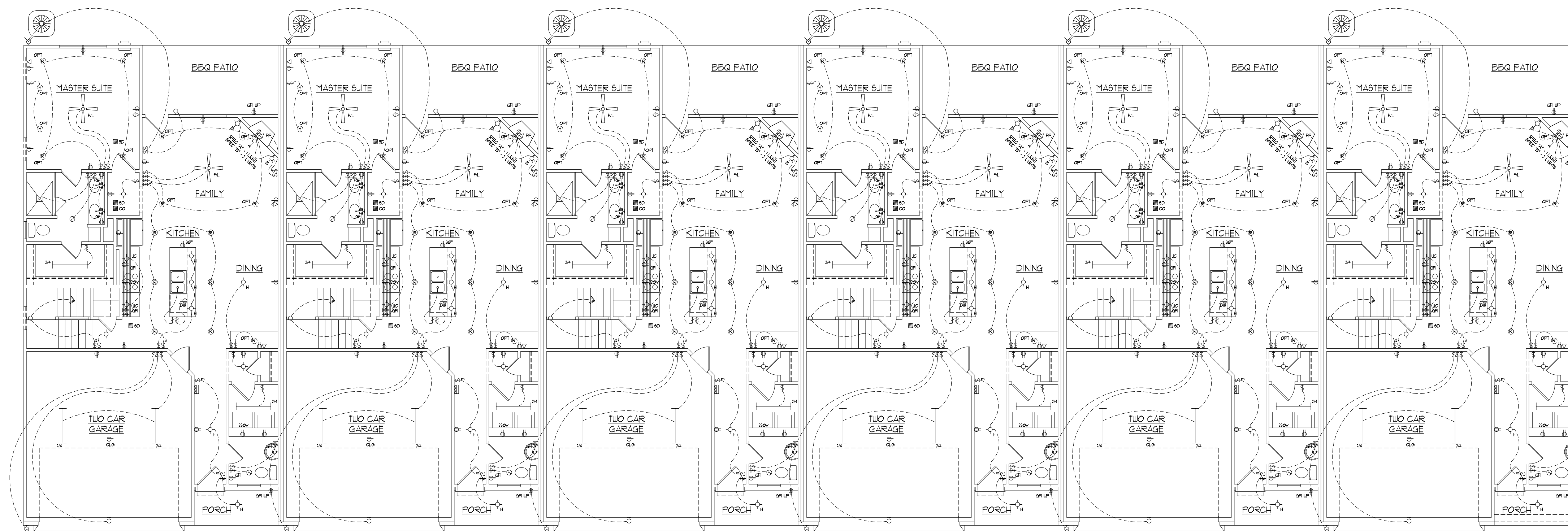
David D Grorud
 (919) 601-1406
 DynamicDesignGroup@gmail.com
 www.DynamicDesignGroupInc.com

The drawings and specifications (plans) contained on these pages are the property of Dynamic Design Group and are offered to the named client or contractor for a conditional one time use. The conditional use is limited to the lot and subdivision specified herein, and only for said location. COPYRIGHT 2021

Contractor shall verify all conditions and dimensions prior to construction. Any error or omissions shall be reported to Dynamic Design Group for corrections or justification. Once construction has commenced, the contractor shall assume all responsibility.

Dimensions govern over scale, code governs over dimensions.

CAPITOL PROJECT FOR: CITY HOMES
 LOCATION: SPRING LAKE, NC
 LOT: 20R-15R
 SUBDIVISION: HAWK RIDGE DR.
 COUNTY: HARNETT



LOT 20R

LOT 19R

LOT 18R

LOT 17R

LOT 16R

LOT 15R

OPTIONAL ELECTRICAL ITEMS
 WITH ALL LIGHTS LISTED RESPECTIVE SWITCHES ARE ASSUMED

RECESSED LIGHTS
FLUORESCENT LIGHT IN LIEU OF RECESSED CAS • KITCHEN ONLY
CEILING FANS IN LIEU OF FLUSH MOUNT
FLOODLIGHTS
HANGING LIGHTS • KITCHEN
UNDER CABINET LIGHTS
EXTERIOR LIGHTS AT GARAGE DOOR

ELECTRICAL SYMBOLS

◇ CEILING MOUNTED LIGHT FIXTURE	□ EXHAUST FAN
◇ DIRECTIONAL EYEBALL LIGHT FIXTURE	□ RECESSED SHOULDER LIGHT
⊙ RECESSED LIGHT FIXTURE	□ EXTERIOR FLOOD LIGHT
⊙ MINI RECESSED LIGHT FIXTURE	⊙ SMOKE DETECTOR
⊙ WALL MOUNTED LIGHT FIXTURE	⊙ CARBON MONOXIDE DETECTOR
⊙ FLUORESCENT LIGHT	⊙ DOOR CHIMES
⊙ HANGING LIGHT FIXTURE	⊙ ELECTRICAL PANEL
⊙ TELEPHONE JACK	⊙ METERBOX
⊙ CABLE JACK	⊙ A/C UNIT
⊙ KEYLESS LIGHT FIXTURE	⊙ 120 OUTLET
⊙ CEILING FAN WITH LIGHT FIXTURE	⊙ 220 OUTLET
⊙ UNDER CABINET LIGHT	⊙ SINGLE SWITCH
	⊙ 3-WAY SWITCH
	⊙ 4-WAY SWITCH
	⊙ OUTDOOR OUTLET
	⊙ GFI

FIRST FLOOR ELECTRICAL LAYOUT

HAWK RIDGE DRIVE

PLAN NAME

BUILDING 9-20-21

DATE

PLAN I.D.

E-1

SHEET

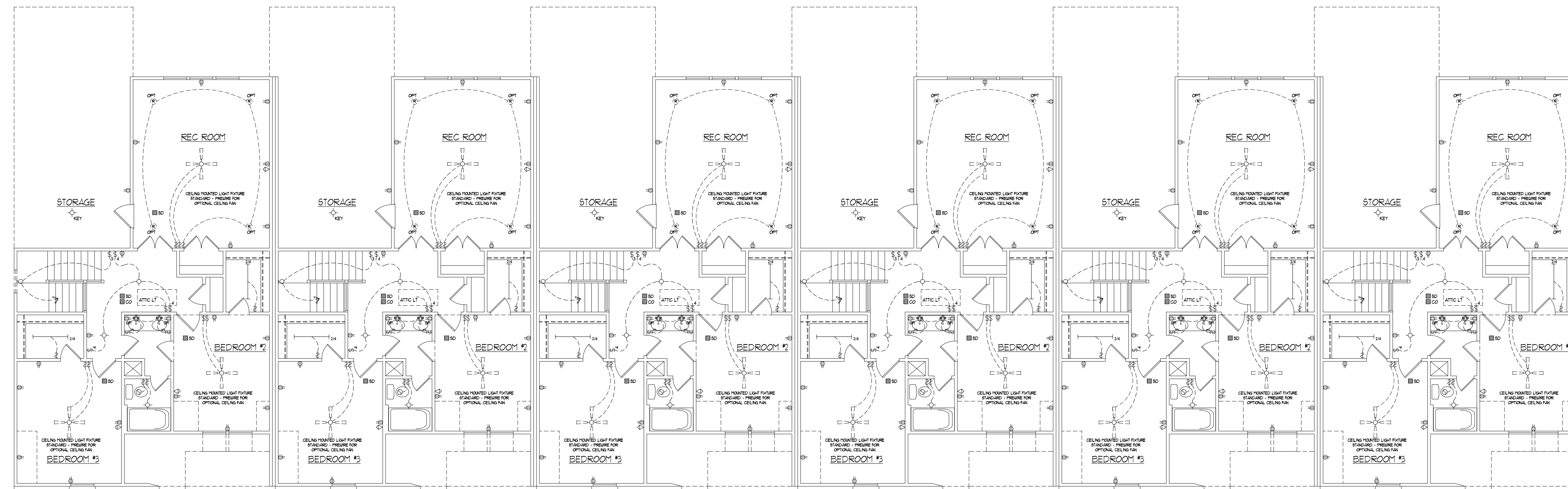
David D Grorud
 (919) 601-1406
 DynamicDesignGroup@gmail.com
 www.DynamicDesignGroupInc.com

The drawings and specifications (plans) contained on these pages are the property of Dynamic Design Group and are offered to the named client or contractor for a conditional one time use. The conditional use is limited to the lot and subdivision specified herein, and only for said location. COPYRIGHT 2021

Contractor shall verify all conditions and dimensions prior to construction. Any error or omissions shall be reported to Dynamic Design Group for corrections or justification. Once construction has commenced, the contractor shall assume all responsibility.

Dimensions govern over scale, code governs over dimensions.

CAPITOL
 PROJECT FOR: CITY HOMES
 LOCATION: SPRING LAKE, NC
 LOT: 20R-15R
 SUBDIVISION: HAWK RIDGE DR.
 COUNTY: HARNETT



LOT 20R

LOT 19R

LOT 18R

LOT 17R

LOT 16R

LOT 15R

ELECTRICAL SYMBOLS			
⊕	CEILING MOUNTED LIGHT FIXTURE	⊖	EXHAUST FAN
⊕	DIRECTIONAL EYEBALL LIGHT FIXTURE	⊖	RECESSED SHOWER LIGHT
⊕	RECESSED LIGHT FIXTURE	⊖	EXTERIOR FLOOD LIGHT
⊕	MINI RECESSED LIGHT FIXTURE	⊖	SMOKE DETECTOR
⊕	WALL MOUNTED LIGHT FIXTURE	⊖	CARBON MONOXIDE DETECTOR
⊕	FLUORESCENT LIGHT	⊖	DOOR CHIMES
⊕	12" - 1 BALL #7	⊖	ELECTRICAL PANEL
⊕	18" - 1 BALL #7	⊖	METERBOX
⊕	24" - 1 BALL #7	⊖	A/C UNIT
⊕	48" - 4 BALL #7	⊖	120 OUTLET
⊕	HANGING LIGHT FIXTURE	⊖	220 OUTLET
⊕	TELEPHONE JACK	⊖	SINGLE SWITCH
⊕	CABLE JACK	⊖	3-WAY SWITCH
⊕	KEYLESS LIGHT FIXTURE	⊖	4-WAY SWITCH
⊕	CEILING FAN WITH LIGHT FIXTURE	⊖	OUTDOOR OUTLET
⊕	UNDER CABINET LIGHT	⊖	GFI

SECOND FLOOR ELECTRICAL LAYOUT

HAWK RIDGE DRIVE

PLAN NAME

BUILDING 9-20-21

DATE

PLAN I.D.

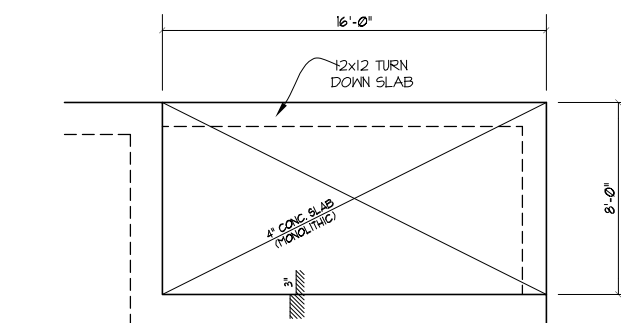
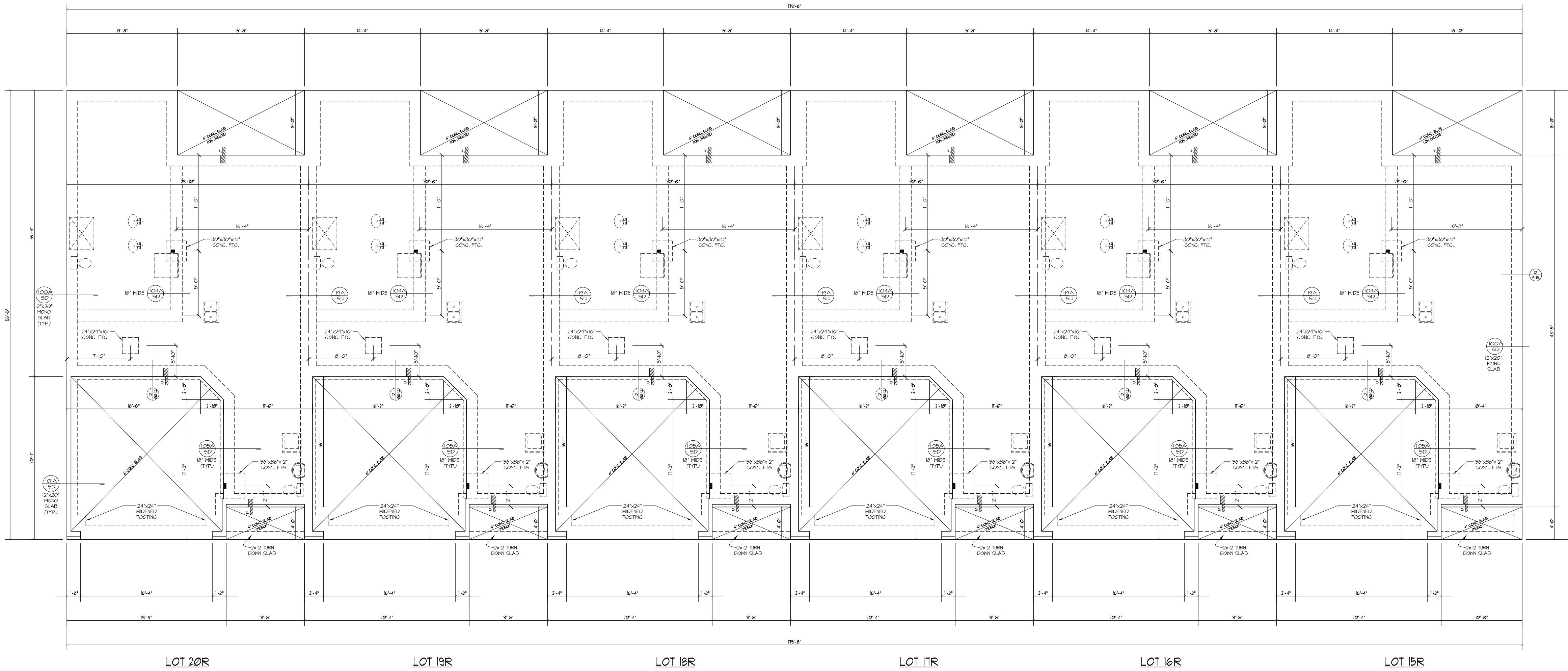
E-2

SHEET



STRUCTURAL DESIGN BY:
 SOUTHERN ENGINEERS, P.A.
 5716 BENSON DRIVE RALEIGH, NC 27604
 LICENSE: C-1712, P.E. NO. 58-25-5617
 PROJECT #: 21-2674 (LOTS 15-20)
 * Engineer seal applies only to structural components on this document. Seal does not include construction means, methods, techniques, sequences, procedures or safety precautions.
 * Any deviations or discrepancies on plans are to be brought to the immediate attention of Southern Engineers. Failure to do so will void Southern Engineer's liability.
 * Seal is valid for a project period within one year from date of seal.
 * Use of these plans constitutes approval of terms and conditions as defined in the customer agreement.

REFER TO "02" SHEETS FOR STANDARD DETAILS, BRACING DETAILS AND STRUCTURAL NOTES.



NOTE: ASSIGNED SOIL BEARING CAPACITY = 2000 PSF. CONTRACTOR MUST VERIFY SITE CONDITIONS AND CONTACT SOILS ENGINEER IF MARSHAL OR INSTABLE SOILS ARE ENCOUNTERED.

FOUNDATION PLAN
 SCALE: 1/8" = 1'-0"

NOTES:
 1) SEE SHEET D-1 FOR DETAILS
 2) DIMENSIONS ARE TO EXTERIOR OF FOUNDATION.

David D Grorud
 (919) 601-1406
 DynamicDesignGroup@gmail.com
 www.DynamicDesignGroupInc.com

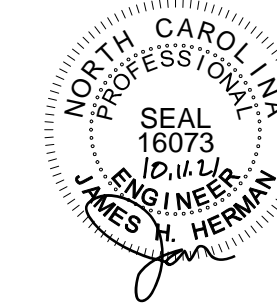
The drawings and specifications (plans) contained on these pages are the property of Dynamic Design Group and are offered to the named client or contractor for a conditional one time use. The conditional use is limited to the lot and subdivision specified herein, and only for said location. COPYRIGHT 2021

Contractor shall verify all conditions and dimensions prior to construction. Any error or omissions shall be reported to Dynamic Design Group for corrections or justification. Once construction has commenced, the contractor shall assume all responsibility. Dimensions govern over scale, code governs over dimensions.

PROJECT FOR: CAPITOL CITY HOMES
 LOCATION: SPRING LAKE, NC
 LOT: 20R-15R
 SUBDIVISION: HAWK RIDGE DR.
 COUNTY: HARNETT

HAWK RIDGE DRIVE
 PLAN NAME
BUILDING 9-20-21
 PLAN I.D. DATE

S-1
 SHEET



STRUCTURAL DESIGN BY:
 SOUTHERN ENGINEERS, P.A.
 576 BENSON DRIVE RALEIGH, NC 27604
 LICENSE: C-1712, P.E. NO. 58-20-5617
 PROJECT #: 21-2674 (LOTS 15-20)
 * Engineer seal applies only to structural components on this document. Seal does not include construction means, methods, techniques, sequences, procedures or safety precautions.
 * Any deviations or discrepancies on plans are to be brought to the immediate attention of Southern Engineers. Failure to do so will void Southern Engineer's liability.
 * Seal is valid for a project permitted within one year from date of seal.
 * Use of these plans constitutes approval of terms and conditions as defined in the customer agreement.

REFER TO "07" SHEETS FOR STANDARD DETAILS, BRACING DETAILS AND STRUCTURAL NOTES.

DYNAMIC DESIGN GROUP, INC.

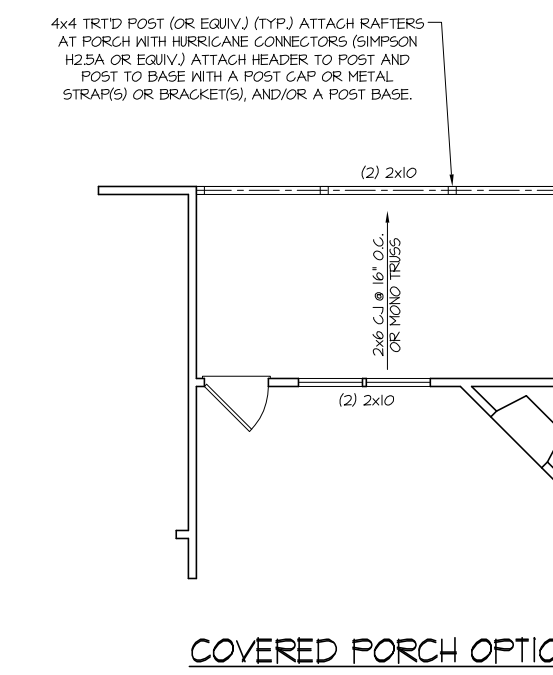
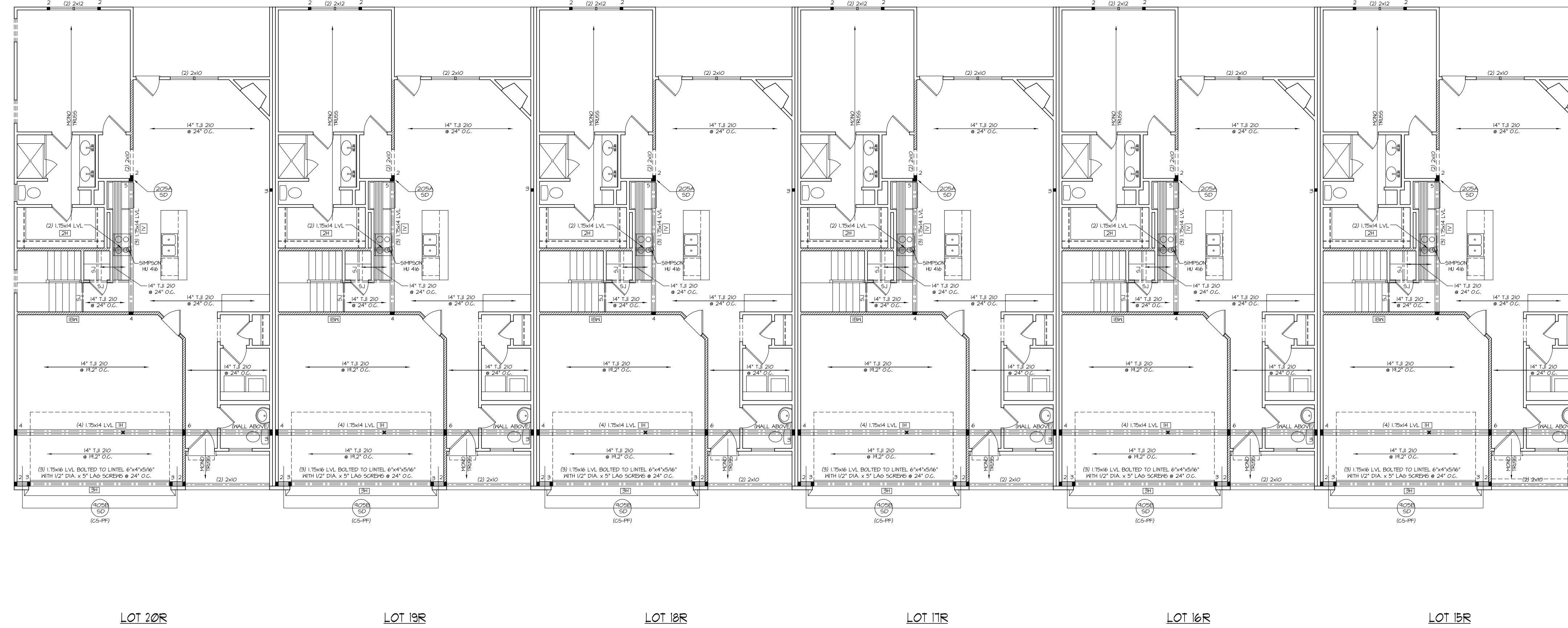
David D Grorud
 (919) 601-1406
 DynamicDesignGroup@gmail.com
 www.DynamicDesignGroupInc.com

The drawings and specifications (plans) contained on these pages are the property of Dynamic Design Group and are offered to the named client or contractor for a conditional one time use. The conditional use is limited to the lot and subdivision specified herein, and only for said location. COPYRIGHT 2021

Contractor shall verify all conditions and dimensions prior to construction. Any error or omissions shall be reported to Dynamic Design Group for corrections or justification. Once construction has commenced, the contractor shall assume all responsibility.

Dimensions govern over scale, code governs over dimensions.

PROJECT FOR: **CAPITOL CITY HOMES**
 LOCATION: **SPRING LAKE, NC**
 LOT: **20R-15R**
 SUBDIVISION: **HAWK RIDGE DR.**
 COUNTY: **HARNETT**



LVL SCHEDULE PER UNIT	
1	(2) 175x4 LVL @ 24" OC
2	(2) 175x4 LVL @ 24" OC
3	(2) 175x4 LVL @ 24" OC
4	(2) 175x4 LVL @ 24" OC
5	(2) 175x4 LVL @ 24" OC

4x4 TRFD POST (OR EQV) (TYP) ATTACH RAFTERS AT PORCH WITH HURRICANE CONNECTORS (EMPSON #25A OR EQV) ATTACH HEADER TO POST AND POST TO BASE WITH A POST CAP OR METAL STRAP(S) OR BRACKET(S) AND/OR A POST BASE.

- LVL CONNECTION LEGEND**
- (2) FLY 175 BEAMS
 - (2) 50x5 WALLS @ 24" OC OR
 - (2) 50x225B (OR EQUAL) @ 16" OC
 - (2) FLY 175 BEAMS
 - (2) 50x225C (OR EQUAL) @ 16" OC
 - (4) FLY 175 BEAMS
 - (2) 50x225H (OR EQUAL) @ 16" OC
- HEADER/BEAM & COLUMN NOTES**
- ALL EXTERIOR AND LOAD BEARING HEADERS SHALL BE MIN. (2)2x6 (4" WALL) OR (2)2x6 (6" WALL) WITH (2) SUPPORT STUDS UNLESS NOTED OTHERWISE.
 - THE NUMBER SHOWN AT BEAM AND HEADER SUPPORTS INDICATES THE NUMBER OF SUPPORT STUDS REQUIRED IN 5/8" SOCKET OR COLUMN. THE NUMBER OF KING STUDS AT EACH END OF HEADERS IN EXTERIOR WALLS SHALL BE ACCORDING TO ITEM 11. IN CASE (A) 2000 OR (A) 40 BELONGER (400) CORRELATORY 1180 STUDS AT WALL OPENINGS SERVED 11-3000 OR 11-2 SPAN (2) KING STUDS
 - OVER 3' UP TO 6' SPAN (2) KING STUDS
 - OVER 6' UP TO 8' SPAN (3) KING STUDS
 - OVER 8' UP TO 12' SPAN (4) KING STUDS
 - OVER 12' UP TO 15' SPAN (5) KING STUDS

FIRST FLOOR CEILING / STRUCTURAL PLAN
 SCALE: 1/8" = 1'-0"

NOTES:
 1) SHADDED WALLS DENOTE LOAD BEARING WALLS
 2) # DENOTES ROOF STUDS

HAWK RIDGE DRIVE BUILDING

PLAN NAME: HAWK RIDGE DRIVE BUILDING
 PLAN I.D.: S-2
 DATE: 9-20-21

STRUCTURAL DESIGN BY:
 SOUTHERN ENGINEERS, P.A.
 516 BENSON DRIVE KALEIGH, NC 27604
 LICENSE: C-4712, P.E. NO. 98-03-0671
 PROJECT #: 21-2694 (LOTS 15-20)
 * Engineer seal applies only to structural components on this document. Seal does not include construction means, methods, techniques, sequences, procedures or safety precautions.
 * Any deviations or discrepancies on plans are to be brought to the immediate attention of Southern Engineers. Failure to do so will void Southern Engineer's liability.
 * Seal is valid for a project permitted within one year from date of seal.
 * Use of these plans constitutes approval of terms and conditions as defined in the customer agreement.

REFER TO "TOP" SHEETS FOR STANDARD DETAILS, BRACING DETAILS AND STRUCTURAL NOTES.

DYNAMIC DESIGN GROUP, INC.

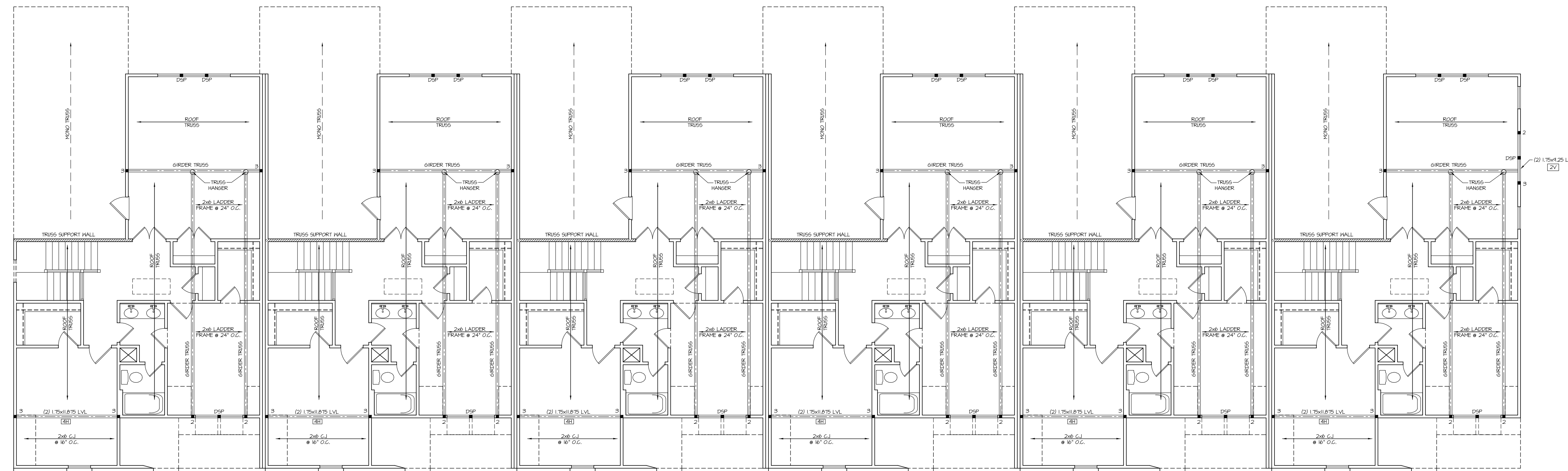
David D Grorud
 (919) 601-1406
 DynamicDesignGroup@gmail.com
 www.DynamicDesignGroupInc.com

The drawings and specifications (plans) contained on these pages are the property of Dynamic Design Group and are offered to the named client or contractor for a conditional one time use. The conditional use is limited to the lot and subdivision specified herein, and only for said location. COPYRIGHT 2021

Contractor shall verify all conditions and dimensions prior to construction. Any error or omissions shall be reported to Dynamic Design Group for corrections or justification. Once construction has commenced, the contractor shall assume all responsibility.

Dimensions govern over scale, code governs over dimensions.

PROJECT FOR: **CAPITOL CITY HOMES**
 LOCATION: **SPRING LAKE, NC**
 LOT: **20R-15R**
 SUBDIVISION: **HAWK RIDGE DR.**
 COUNTY: **HARNETT**



LOT 20R

LOT 19R

LOT 18R

LOT 17R

LOT 16R

LOT 15R

HAWK RIDGE DRIVE

PLAN NAME

BUILDING 9-20-21

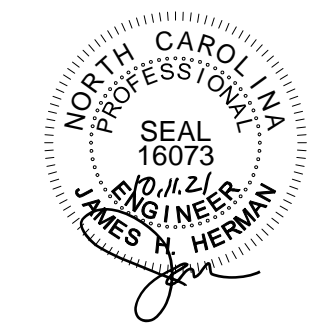
DATE

PLAN I.D.

SECOND FLOOR CEILING/
 STRUCTURAL PLAN
 SCALE: 1/8" = 1'-0"

NOTES:
 1) SHADDED WALLS DENOTE LOAD BEARING WALLS
 2) # GRATES SOLID BLOCK

S-3
 SHEET



STRUCTURAL DESIGN BY:
 SOUTHERN ENGINEERS, P.A.
 5716 BENSON DRIVE RALEIGH, NC 27604
 LICENSE: C-4712 ENGINEER: 18A-03-26-17
PROJECT # 21-2674 (LOTS 15-20)
 * Engineer will apply only to structural components on this document. Seal does not include construction means, methods, techniques, sequences, procedures or safety precautions.
 * Any deviations or discrepancies on plans are to be brought to the immediate attention of Southern Engineers. Failure to do so will void Southern Engineer's liability.
 * Seal is valid for a project permitted within one year from date of seal.
 * Use of these plans constitutes approval of terms and conditions as defined in the customer agreement.

REFER TO "TOP" SHEETS FOR STANDARD DETAILS, BEARING DETAILS AND STRUCTURAL NOTES.

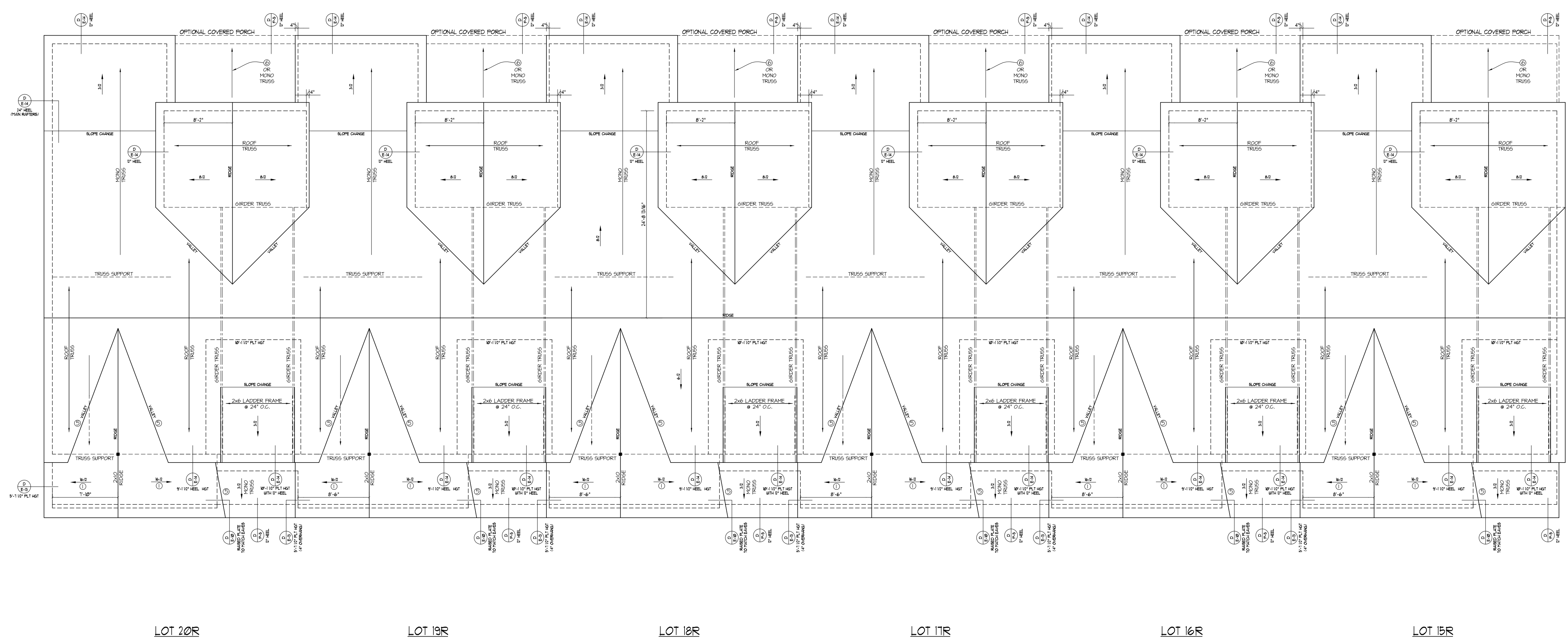
DYNAMIC DESIGN GROUP, INC.

David D Grorud
 (919) 601-1406
 DynamicDesignGroup@gmail.com
 www.DynamicDesignGroupInc.com

The drawings and specifications (plans) contained on these pages are the property of Dynamic Design Group and are offered to the named client or contractor for a conditional one time use. The conditional use is limited to the lot and subdivision specified herein, and only for said location. COPYRIGHT 2021
 Contractor shall verify all conditions and dimensions prior to construction. Any error or omissions shall be reported to Dynamic Design Group for corrections or justification. Once construction has commenced, the contractor shall assume all responsibility. Dimensions govern over scale, code governs over dimensions.

PROJECT FOR: **CAPITOL CITY HOMES**
 LOCATION: **SPRING LAKE, NC**
 LOT: **20R-15R**
 SUBDIVISION: **HAWK RIDGE DR.**
 COUNTY: **HARNETT**

HAWK RIDGE DRIVE
 PLAN NAME
BUILDING 9-20-21 DATE
 PLAN I.D.



- ROOF FRAMING NOTES:**
 NC (2018 NRCG), PRMS: 15-120 RPH
- 2x6 RAFTERS @ 8' O.C. WITH 2x10 RIDGE. I.D.
 - 2x10 OR 12x10 TRUSS @ 16' O.C. WITH 2x10 RIDGE. I.D. BEARING WITH A MIN. 2" OF OVERLAP AT CENTER
 - 2x6 RAFTERS @ 8' O.C. WITH 2x10 RIDGE. I.D. OR 12x10 TRUSS @ 16' O.C. WITH 2x10 RIDGE. I.D. DO NOT SPLICE
 - 12x10 TRUSS @ 16' O.C. WITH 2x10 RIDGE. I.D. VALLEY
 - FALSE TRUSS VALLEY ON 2x10 PLAT. BEAM
 - 2x6 RAFTERS @ 8' O.C. WITH 2x10 RIDGE. I.D.
 - 2x10 TRUSS @ 16' O.C. WITH 2x10 RIDGE. I.D.
 - EXTEND ROOF 2' BEYOND INTERSECTION
 - 1x6" - SINGLE RAFTER
 - 1x6" - DOUBLE RAFTER
 - 1x6" - TRUSS MEMBER
 - 1x6" - ROOF SUPPORT
 - 1" DIA. STUD OR 4x4 POST FOR ROOF SUPPORT BASE, 2x6 STUD OR 4x4 POST FOR SUPPORT OVER 20' IN HEIGHT
 - ATTACH VALUED RAFTERS WITH HURRICANE CLIPS, SIMPSON TC-2347 OR EQUIVALENT. TIES TO BE INSTALLED ON THE OUTSIDE EDGE OF FRAMING.
 - INSTALL INTERIOR TIE ROD COLLAR TIE PER SECTION R602.31 OF THE 2018 NC RESIDENTIAL CODE.

- TRUSS SYSTEM REQUIREMENTS:**
 NC (2018 NRCG), PRMS: 15-120 RPH
- TRUSS SYSTEM LAYOUTS (PLACEMENT PLANS) SHALL BE DESIGNED IN ACCORDANCE WITH SEALED STRUCTURAL PLANS AND ANY NEED TO CHANGE TRUSSES SHALL BE COORDINATED WITH SOUTHERN ENGINEERS.
 - TRUSS SCHEMATICS (PROFILES) SHALL BE PREPARED AND SEALED BY TRUSS MANUFACTURER.
 - ALL TRUSSES SHALL BE DESIGNED FOR BEARING ON TOP OR END OF PLATE OR LEDGERS. I.D.
 - ALL REQUIRED ANCHORS FOR TRUSSES DUE TO UPLIFT OR BEARING SHALL MEET THE REQUIREMENTS AS SPECIFIED ON THE TRUSS SCHEMATICS.

ATTIC VENTILATION (PER UNIT)	
REQUIRED	1.632 SQ FT OF ATTIC / 1000 SF OF FLOOR AREA
PROVIDED	1.632 SQ FT OF ATTIC / 1000 SF OF FLOOR AREA
OUTLET	1.632 SQ FT OF ATTIC / 1000 SF OF FLOOR AREA
INLET	1.632 SQ FT OF ATTIC / 1000 SF OF FLOOR AREA
TOTAL	1.632 SQ FT OF ATTIC / 1000 SF OF FLOOR AREA

* INCLUDES COVERED REAR PORCH OPTION

ROOF FRAMING PLAN
 SCALE: 1/8" = 1'-0"

NOTES:
 1) SEE SHEET D-1 FOR DETAILS
 2) DIMENSIONS ARE FROM EXT. OF FRAMING TO CENTER LINE OF RIDGE

LOT 20R LOT 19R LOT 18R LOT 17R LOT 16R LOT 15R

STRUCTURAL DESIGN BY:
 SOUTHERN ENGINEERS, P.A.
 576 BENSON DRIVE KALEIGH, NC 27604
 LICENSE: C-1712 ISSUE: 08-03-2017
 PROJECT #: 21-2674 (LOTS 15-20)
 * Engineer seal applies only to structural components on this document. Seal does not include construction means, methods, techniques, sequences, procedures or safety precautions.
 * Any deviations or discrepancies on plans are to be brought to the immediate attention of Southern Engineers. Failure to do so will void Southern Engineer's liability.
 * Seal is valid for a project permitted within one year from date of seal.
 * Use of these plans constitutes approval of terms and conditions as defined in the customer agreement.

REFER TO "SD" SHEETS FOR STANDARD DETAILS, BRACING DETAILS AND STRUCTURAL NOTES.

DYNAMIC DESIGN GROUP, INC.

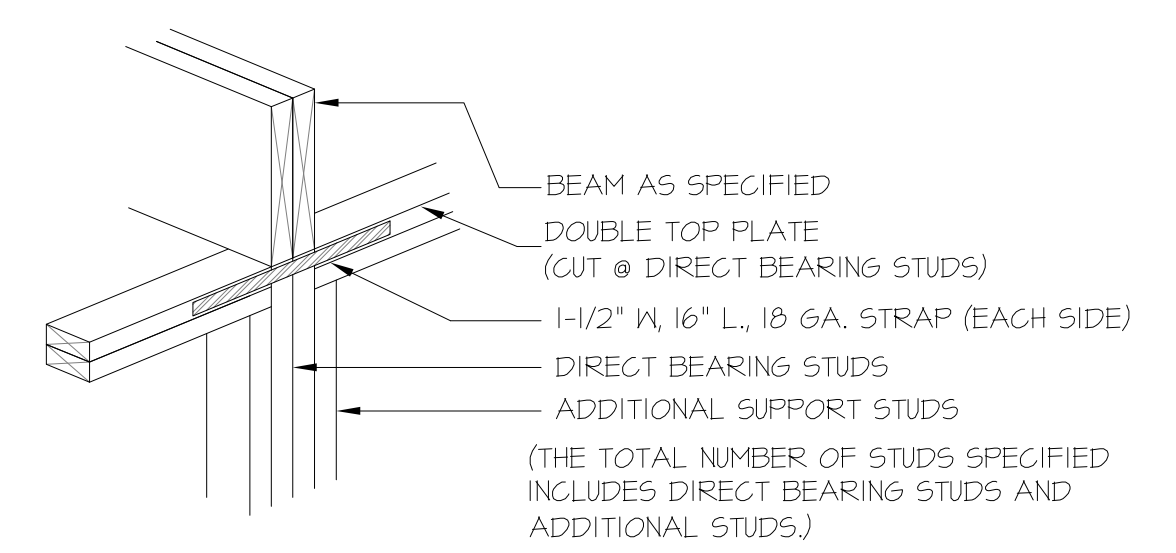
David D Grorur
 (919) 601-1406
DynamicDesignGroup@gmail.com
www.DynamicDesignGroupInc.com

The drawings and specifications (plans) contained on these pages are the property of Dynamic Design Group and are offered to the named client or contractor for a conditional one time use. The conditional use is limited to the lot and subdivision specified herein, and only for said location. COPYRIGHT 2021
 Contractor shall verify all conditions and dimensions prior to construction. Any error or omissions shall be reported to Dynamic Design Group for corrections or justification. Once construction has commenced, the contractor shall assume all responsibility. Dimensions govern over scale, code governs over dimensions.

CAPITOL PROJECT FOR: CITY HOMES
 LOCATION: SPRING LAKE, NC
 LOT: 20R-15R
 SUBDIVISION: HAWK RIDGE DR.
 COUNTY: HARNETT

HAWK RIDGE DRIVE
 PLAN NAME
 BUILDING
 PLAN I.D.
 9-20-21
 DATE

SD SHEET

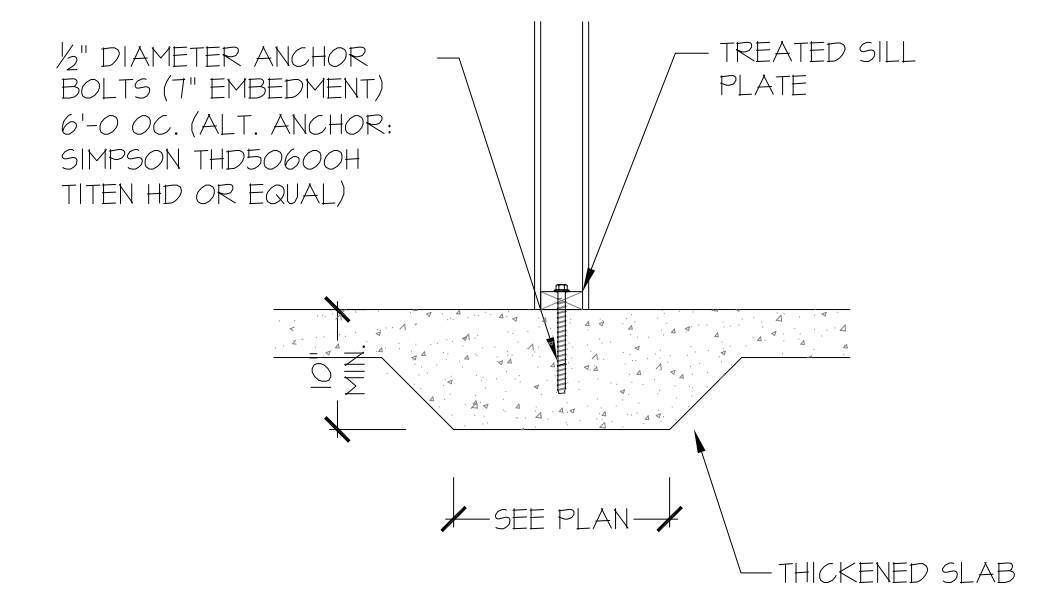


205A DIRECT STUD BEARING NTS

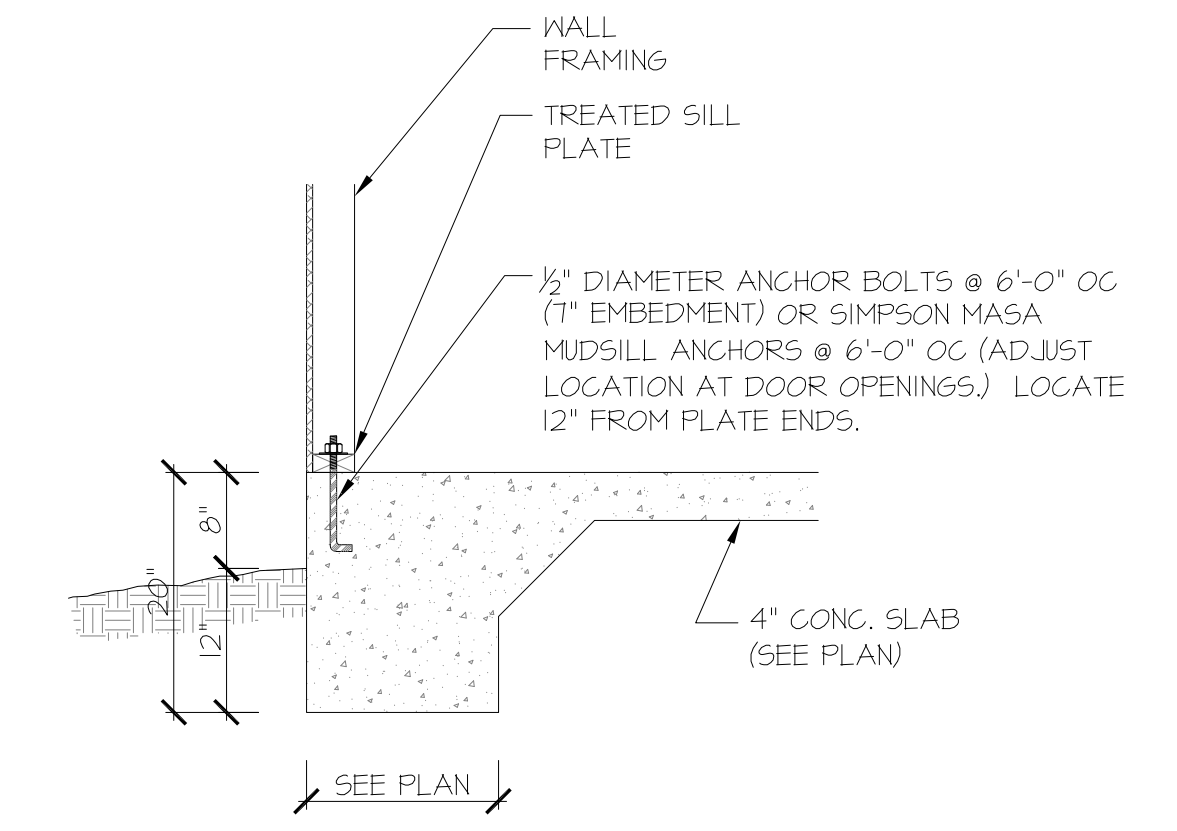
STRUCTURAL NOTES

NC (2018 NGRC); Wind: 115-120 mph

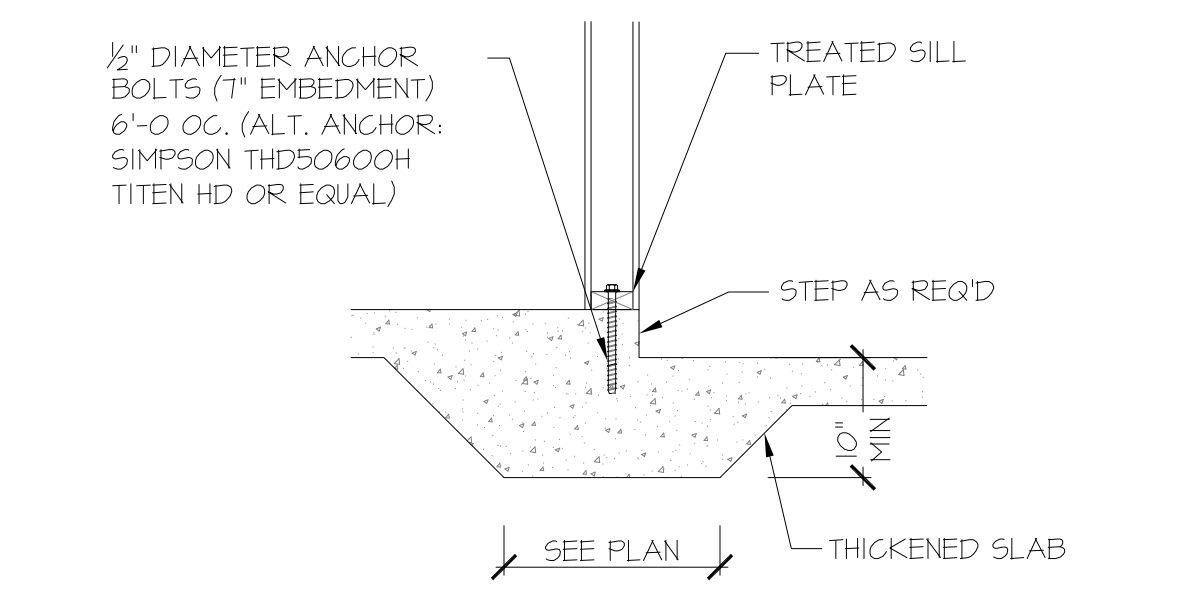
- ENGINEER'S SEAL APPLIES ONLY TO STRUCTURAL COMPONENTS INCLUDING ROOF RAFTERS, HIPs, VALLEYS, RIDGES, FLOORS, WALLS, BEAMS AND HEADERS, COLUMNS, CANTILEVERS, OFFSET LOAD BEARING WALLS, PIER & GIRDER SYSTEM, FOOTING, AND PILING SYSTEM. ENGINEER'S SEAL DOES NOT CERTIFY DIMENSIONAL ACCURACY OR ARCHITECTURAL LAYOUT INCLUDING ROOF SYSTEM. ALL REQUIREMENTS FOR PROFESSIONAL CERTIFICATION SHALL BE PROVIDED BY THE APPROPRIATE PROFESSIONAL. SOUTHERN ENGINEERS, P.A. CERTIFIES ONLY THE STRUCTURAL COMPONENTS AS SPECIFICALLY STATED.
- ALL CONSTRUCTION SHALL CONFORM TO THE LATEST REQUIREMENTS OF THE 2018 NC RESIDENTIAL CODE, PLUS ALL LOCAL CODES AND REGULATIONS. THE STRUCTURAL ENGINEER IS NOT RESPONSIBLE FOR, AND WILL NOT HAVE CONTROL OF, CONSTRUCTION MEANS, METHODS, TECHNIQUES, SEQUENCES OR PROCEDURES, OR FOR SAFETY PRECAUTIONS AND PROGRAMS IN CONNECTION WITH THE CONSTRUCTION WORK, NOR WILL THE ENGINEER BE RESPONSIBLE FOR THE CONTRACTOR'S FAILURE TO CARRY OUT THE CONSTRUCTION WORK IN ACCORDANCE WITH THE CONTRACT DOCUMENTS. "CONSTRUCTION REVIEW" SERVICES ARE NOT PART OF OUR CONTRACT. ALL MEMBERS SHALL BE FRAMED ANCHORED, TIED AND BRACED IN ACCORDANCE WITH GOOD CONSTRUCTION PRACTICE AND THE BUILDING CODE.
- DESIGN LOADS (LISTED AS: LIVE LOAD, DEAD LOAD, DEFLECTION)
 - ROOMS OTHER THAN SLEEPING ROOMS: (40 PSF, 10 PSF, L/360)
 - SLEEPING ROOMS: (30 PSF, 10 PSF, L/360)
 - ATTIC WITH PERMANENT STAIRS: (40 PSF, 10 PSF, L/360)
 - ATTIC WITHOUT PERMANENT STAIR: (20 PSF, 10 PSF, L/360)
 - ATTIC WITHOUT STORAGE: (10 PSF, 10 PSF, L/240)
 - STAIRS: (40 PSF, 10 PSF, L/360)
 - EXTERIOR BALCONIES: (60 PSF, 10 PSF, L/360)
 - DECKS: (40 PSF, 10 PSF, L/360)
 - GUARDRAILS AND HANDRAILS: (200 LBS)
 - PASSENGER VEHICLE GARAGES: (30 PSF, 10 PSF, L/360)
 - FIRE ESCAPES: (40 PSF, 10 PSF, L/360)
 - SNOW: (20 PSF)
- WALLS SHALL BE BRACED BY SHEATHING WALLS ON ALL STORIES WITH WOOD STRUCTURAL PANELS. SEE FRAMING NOTES FOR THICKNESS AND NAILING REQUIREMENTS.
- SEE APPENDIX M (DCA6) FOR EXTERIOR DECK REQUIREMENTS INCLUDING ATTACHMENTS FOR LATERAL LOADS.
- CONCRETE SHALL HAVE A MINIMUM 28 DAY STRENGTH OF 3000 PSI AND A MAXIMUM SLUMP OF 5 INCHES UNLESS NOTED OTHERWISE (UNO). AIR ENTRAINED PER TABLE 402.2. ALL CONCRETE SHALL BE PROPORTIONED, MIXED, HANDLED, SAMPLED, TESTED, AND PLACED IN ACCORDANCE WITH ACI STANDARDS. ALL SAMPLES FOR PUMPING SHALL BE TAKEN FROM THE EXIT END OF THE PUMP. CONTROL JOINTS IN SLABS SHALL BE SPACED ON A GRID OF +30 TIMES THE DEPTH (D). CONTROL JOINTS SHALL BE SAWCUT TO A DEPTH OF 1/3 (I.E. 4" CONCRETE SLABS SHALL HAVE 1 1/2" DEEP CONTROL JOINTS SAWCUT IN SLAB ON A +1'-0" x +1'-0" GRID).
- ALLOWABLE SOIL BEARING PRESSURE ASSUMED TO BE 2000 PSF. THE CONTRACTOR MUST CONTACT A GEOTECHNICAL ENGINEER AND THE STRUCTURAL ENGINEER IF UNSATISFACTORY SUBSURFACE CONDITIONS ARE ENCOUNTERED. THE SURFACE AREA ADJACENT TO THE FOUNDATION WALL SHALL BE PROVIDED WITH ADEQUATE DRAINAGE, AND SHALL BE GRADED SO AS TO DRAIN SURFACE WATER AWAY FROM FOUNDATION WALLS.
- ALL FRAMING LUMBER SHALL BE SPF #2 (Fb = 875 PSI) UNLESS NOTED OTHERWISE (UNO). ALL TREATED LUMBER SHALL BE SYP # 2. PLATE MATERIAL MAY BE SPF # 3 OR SYP #3 (Fc/perp) = 425 PSI - MIN.
 - L.V.L. SHALL BE LAMINATED VENEER LUMBER: Fb=2600 PSI, Fv=285 PSI, E=1.9x10⁶ PSI.
 - P.S.L. SHALL BE PARALLEL STRAND LUMBER: Fb=2400 PSI, Fv=240 PSI, E=2.0x10⁶ PSI.
 - L.S.L. SHALL BE LAMINATED STRAND LUMBER: Fb=2250 PSI, Fv=400 PSI, E=1.55x10⁶ PSI. INSTALL ALL CONNECTIONS PER MANUFACTURER'S INSTRUCTIONS.
- ALL ROOF TRUSS AND I-JOIST LAYOUTS SHALL BE PREPARED IN ACCORDANCE WITH THE SEALED STRUCTURAL DRAWINGS. TRUSSES AND I-JOISTS SHALL BE INSTALLED ACCORDING TO THE MANUFACTURER'S SPECIFICATIONS. ANY CHANGE IN TRUSS OR I-JOIST LAYOUT SHALL BE COORDINATED WITH SOUTHERN ENGINEERS.
- ALL STRUCTURAL STEEL SHALL BE ASTM A-36. STEEL BEAMS SHALL BE SUPPORTED AT EACH END WITH A MINIMUM BEARING LENGTH OF 3 1/2 INCHES AND FULL FLANGE WIDTH. PROVIDE SOLID BEARING FROM BEAM SUPPORT TO FOUNDATION. BEAMS SHALL BE ATTACHED TO EACH SUPPORT WITH TWO LAG SCREWS (1/2" DIAMETER x 4" LONG). LATERAL SUPPORT IS CONSIDERED ADEQUATE PROVIDING THE JOIST ARE TOE NAILED TO THE SOLE PLATE, AND SOLE PLATE IS NAILED OR BOLTED TO THE BEAM FLANGE @ 48" O.C. ALL STEEL TUBING SHALL BE ASTM A500.
- REBAR SHALL BE DEFORMED STEEL, ASTM615, GRADE 60. LAP ALL REBAR SPLICES 30 BAR DIAMETERS.
- FLITCH BEAMS SHALL BE BOLTED TOGETHER USING (2) ROWS OF 1/2" DIAMETER BOLTS (ASTM A325) WITH WASHERS PLACED UNDER THE THREADED END OF BOLT. BOLTS SHALL BE SPACED AT 24" O.C. (MAX), AND STAGGERED AT THE TOP AND BOTTOM OF BEAM (2" EDGE DISTANCE), WITH 2 BOLTS LOCATED AT 6" FROM EACH END.
- BRICK LINTELS (WHEN REQUIRED) SHALL BE 3 1/2"x3 1/2"x1/4" STEEL ANGLE FOR UP TO 6'-0" SPAN AND 6'x4"x5/16" STEEL ANGLE WITH 6" LEG VERTICAL FOR SPANS UP TO 9'-0". SEE PLANS FOR SPANS OVER 9'-0". SEE ALSO SECTION R703.3.3 LINTELS.



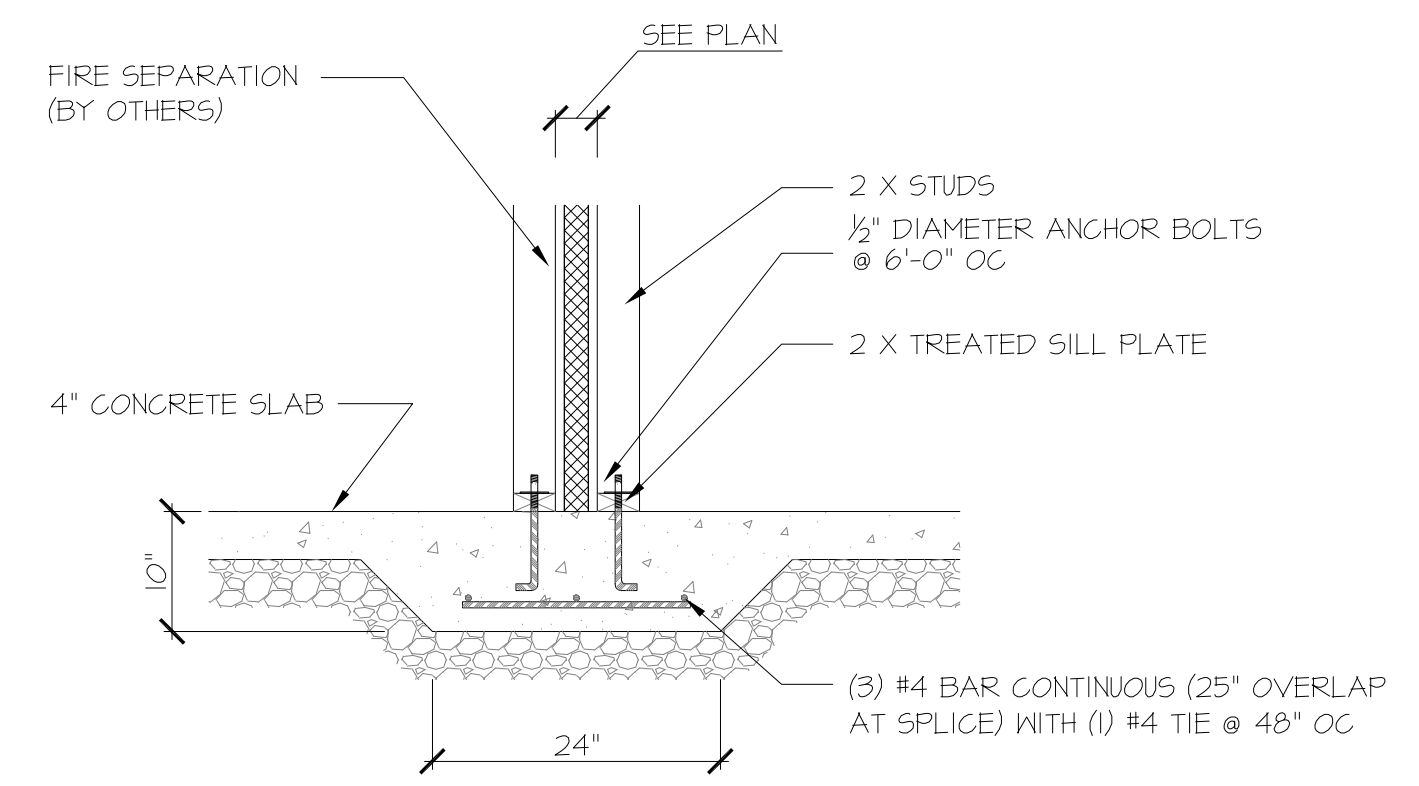
115-120 MPH 104A THICKENED SLAB (INTERIOR BEARING WALL) SD



115-120 MPH 100A MONOLITHIC SLAB FOOTING (SIDING OR EQUAL) SD



115-120 MPH 105A THICKENED SLAB @ GARAGE (INTERIOR GARAGE WALL) SD



115-120 MPH 119A THICKENED SLAB BETWEEN UNITS SD

FRAMING NOTES

NC (2018 NGRC); Wind: 115-120 mph

- BRACING METHOD AND TYPE, CONTINUOUSLY SHEATHED WSP. C5-WSP. NOTE THAT THE WALL BRACING AMOUNT PROVIDED ON THE PLANS (DETAILS AND SPECIFICATIONS) IS GREATER THAN THE AMOUNT OF WALL BRACING REQUIRED BY SECTION R602.10 OF THE CODE. SEE NOTES BELOW FOR DETAILS AND SPECIFICATIONS FOR WALL BRACING AND WALL FRAMING.
- EXTERIOR WALL SHEATHING: WALLS SHALL BE BRACED BY SHEATHING WALLS ON ALL STORIES WITH WOOD STRUCTURAL PANEL SHEATHING (WSP) (EXPOSURE B, 7/16", EXPOSURE C, 15/32"). SHEATHING SHALL BE ATTACHED WITH 8d NAILS AT A 6"X12" NAILING PATTERN (6" OC AT PANEL EDGES AND 12" OC AT INTERMEDIATE SUPPORTS). INSTALL BLOCKING AT ALL PANEL EDGES.
- WSP SHEATHING SHALL EXTEND TO THE UPPERMOST DOUBLE BEARING PLATE. BLOCK AT ROOF PER SECTION R602.10.4.5 AND ATTACH BRACED WALLS PER CODE. WSP SHEATHING BETWEEN FLOORS SHALL BE SPLICED ALONG CONTINUOUS BAND OR THE WSP SHEATHING MAY BE SPLICED ACROSS STUDS (CONTINUOUS ACROSS FLOOR SYSTEM) WITH BLOCKING AT PANEL EDGES. (MINIMUM 12" BEYOND FLOOR BREAK) OR OTHER APPROVED METHOD.
- "HD" = HOLD-DOWN: HOLD-DOWN DEVICE (NOTED AS "HD" ON PLANS) SHALL BE AN 800 POUND CAPACITY ASSEMBLY AS NOTED ON PLANS. SEE DETAILS FOR HD ASSEMBLY.
 - **GROUND/FIRST FLOOR: USE "HD HOLD-DOWN DETAIL" ON SD SHEET (OR EQUIV.)
 - **UPPER FLOORS: ATTACH BASE OF KING STUD WITH A SIMPSON C522 STRAP DOWN ACROSS THE BAND AND DOWN TO A STUD BELOW OR HEADER BELOW. EXTEND STRAP 1" MIN ALONG EACH STUD (OR HEADER) AND ATTACH EACH END W/ (7) 8d NAILS.
- INTERIOR BRACED WALL: (NOTED AS "IBW" ON PLANS) ATTACH 1/2" GYPSUM BOARD (6B) ON EACH SIDE OF WALL WITH A MIN. OF 5d COOLER NAILS OR #6 SCREWS @ 1" O.C. ALONG THE EDGES AND AT INTERMEDIATE SUPPORTS.
- INTERIOR BRACED WALL-WOOD STRUCTURAL PANEL: (NOTED AS "IBW-WSP" ON PLANS). ATTACH ONE SIDE WITH 3/8" WSP SHEATHING WITH 8d NAILS AT A 6"X12" NAILING PATTERN (6" OC AT PANEL EDGES AND 12" OC AT INTERMEDIATE SUPPORTS). INSTALL BLOCKING AT ALL PANEL EDGES. ATTACH 6B OVER WSP AS REQUIRED. ATTACH OPPOSITE SIDE WITH 1/2" 6B WITH A MIN. OF 5d COOLER NAILS OR #6 SCREWS @ 1" O.C. ALONG THE EDGES AND AT INTERMEDIATE SUPPORTS.

David D Grorud
 (919) 601-1406
 DynamicDesignGroup@gmail.com
 www.DynamicDesignGroupInc.com

The drawings and specifications (plans) contained on these pages are the property of Dynamic Design Group and are offered to the named client or contractor for a conditional one time use. The conditional use is limited to the lot and subdivision specified herein, and only for said location. COPYRIGHT 2021

Contractor shall verify all conditions and dimensions prior to construction. Any error or omissions shall be reported to Dynamic Design Group for corrections or justification. Once construction has commenced, the contractor shall assume all responsibility. Dimensions govern over scale, code governs over dimensions.

PROJECT FOR: **CAPITOL CITY HOMES**
 LOCATION: **SPRING LAKE, NC**
 LOT: **20R-15R**
 SUBDIVISION: **HAWK RIDGE DR.**
 COUNTY: **HARNETT**

HAWK RIDGE DRIVE

PLAN NAME

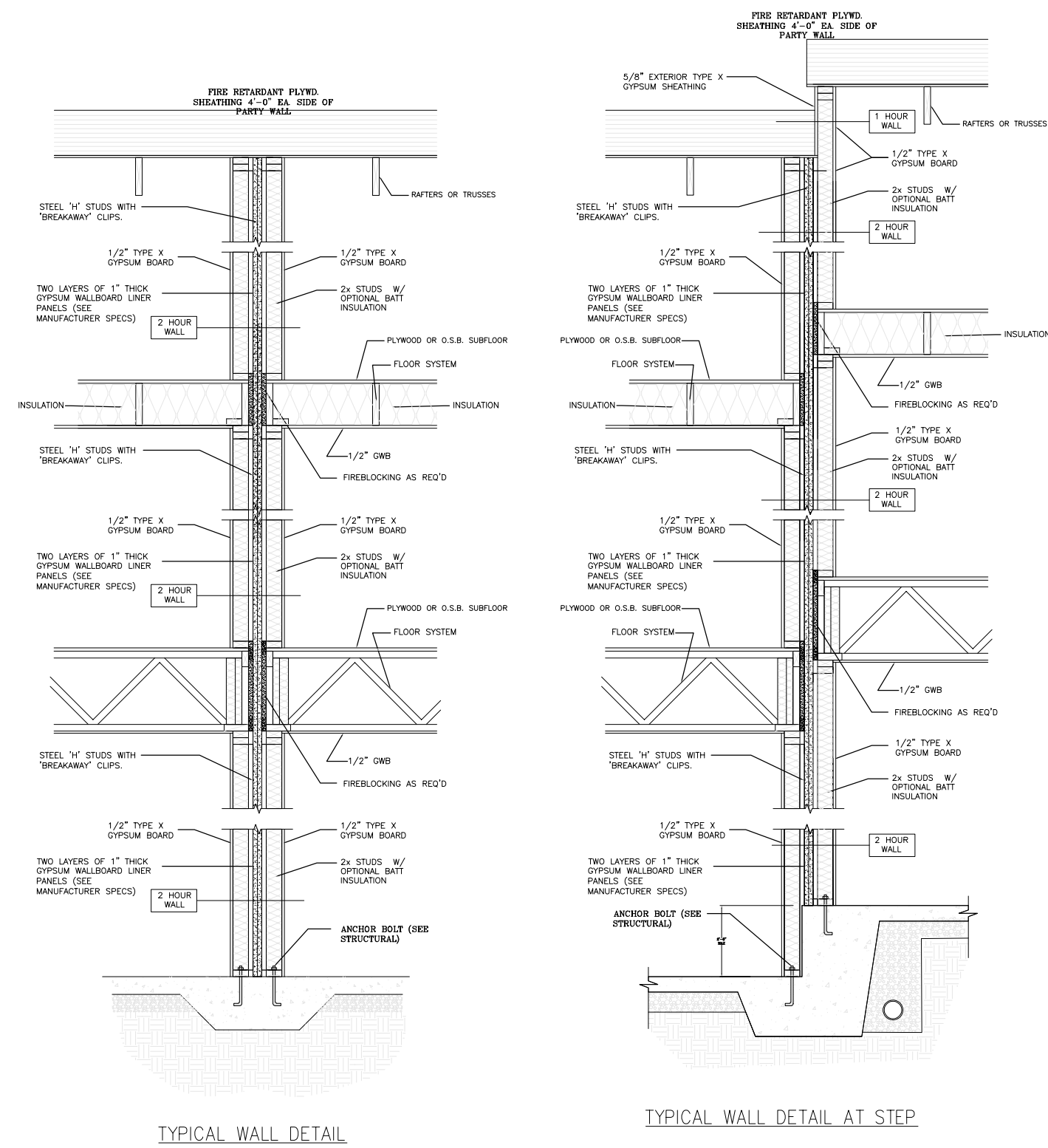
BUILDING

PLAN I.D.

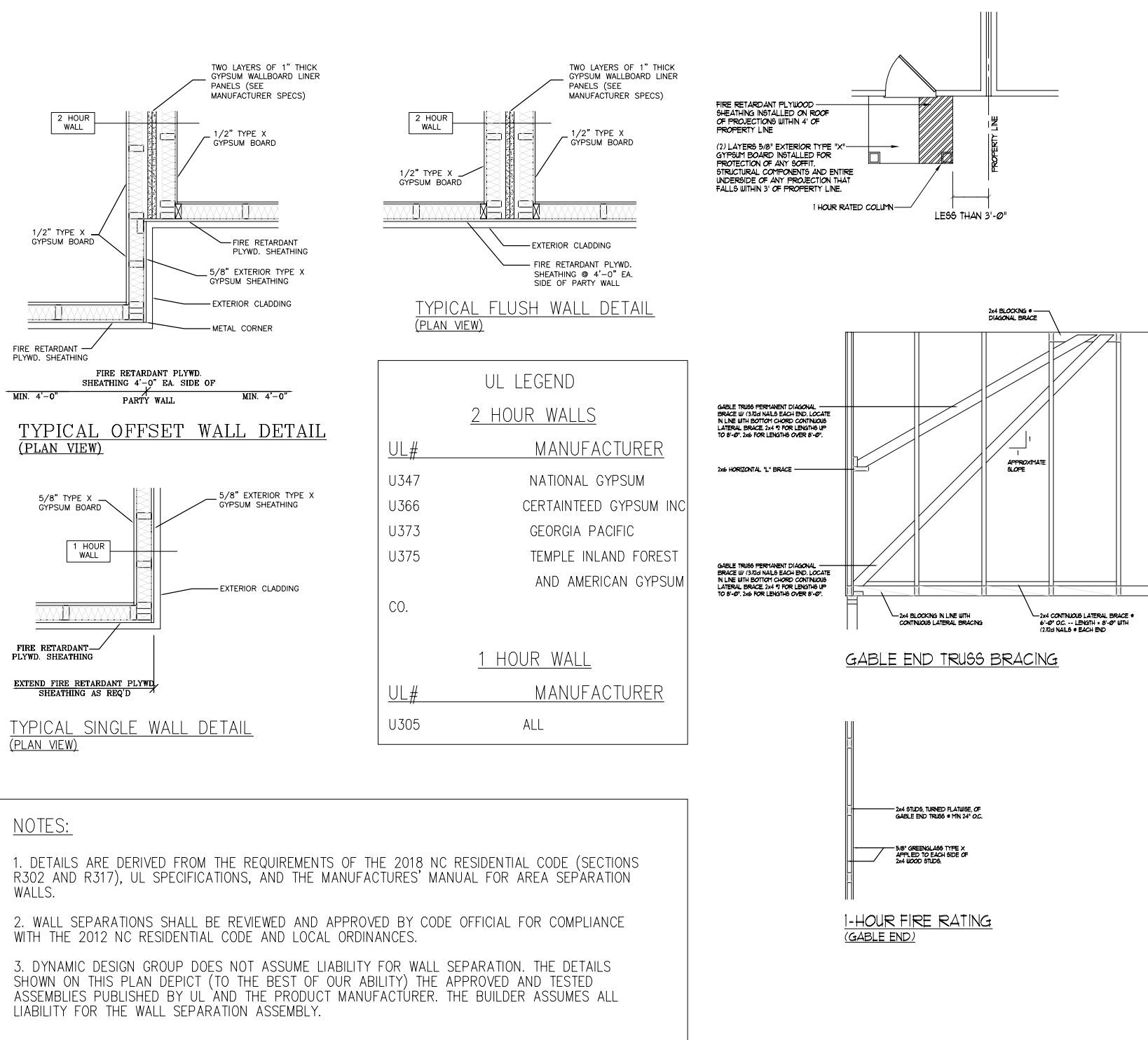
9-20-21

DATE

D-1
 SHEET



AREA SEPARATION WALL DETAILS



UL LEGEND

2 HOUR WALLS	
UL #	MANUFACTURER
U347	NATIONAL GYPSUM
U366	CERTAINTED GYPSUM INC
U373	GEORGIA PACIFIC
U375	TEMPLE INLAND FOREST AND AMERICAN GYPSUM
CO.	
1 HOUR WALL	
UL #	MANUFACTURER
U305	ALL

NOTES:
 1. DETAILS ARE DERIVED FROM THE REQUIREMENTS OF THE 2018 NC RESIDENTIAL CODE (SECTIONS R302 AND R317), UL SPECIFICATIONS, AND THE MANUFACTURER'S MANUAL FOR AREA SEPARATION WALLS.
 2. WALL SEPARATIONS SHALL BE REVIEWED AND APPROVED BY CODE OFFICIAL FOR COMPLIANCE WITH THE 2012 NC RESIDENTIAL CODE AND LOCAL ORDINANCES.
 3. DYNAMIC DESIGN GROUP DOES NOT ASSUME LIABILITY FOR WALL SEPARATION DETAILS SHOWN ON THIS PLAN DEPTO TO THE BEST OF OUR ABILITY THE APPROVED AND TESTED ASSEMBLIES PUBLISHED BY UL AND THE PRODUCT MANUFACTURER. THE BUILDER ASSUMES ALL LIABILITY FOR THE WALL SEPARATION ASSEMBLY.

