

GREAT DAY IMPROVEMENTS, RALEIGH
COATS RESIDENCE

MINIMUM DESIGN LOADS: PER 2018 NC RESIDENTIAL
BUILDING CODE / 2015 IRC WITH NC AMENDMENTS

SUNROOM CATEGORY II (PER 2015 IRC R301.2.1.1.1
& AAMA / NPEA / NSA 2100)

DEAD LOADS:

1. ROOF: 15 PSF
2. WALLS: 20 PSF
3. FLOOR: 10 PSF

SNOW LOADS: GROUND SNOW LOAD 20 PSF

ULTIMATE DESIGN WIND SPEED: 115 MPH, 3 SEC. GUSTS

LIVE LOADS:

1. ROOF: 20 PSF
2. FLOOR: 40 PSF

THIS SUNROOM IS NOT TO BE CONDITIONED
OR USED AS A PERMANENT LIVING AREA.

NOTES:

1. ALLVIEW (AAS) SUNROOM; WHITE IN COLOR
2. CONSTRUCT SUNROOM ON NEW DECK
3. NO HEAT BY GDI; ELECTRICAL BY GDI
4. ALL CONCRETE TO BE 3000 PSI MINIMUM
5. ALL LUMBER TO BE SYP #2 OR BETTER AND PRESSURE TREATED WHERE REQUIRED
6. THIS SUNROOM IS CONSIDERED AS NON-CONDITIONED SPACE, EXEMPT FROM ENERGY REQUIREMENTS (PER 2015 IRC SECTION N1102.1, NOTE 2)

<u>DRAWING #</u>	<u>DESCRIPTION</u>
1	COVER
2	ELEVATION "B" WALL
3	ELEVATION "A" & "C" WALL
4	DECK PLAN
5	ELECTRICAL PLAN
6	FLOOR PLAN
7	ROOF PLAN
8	SYSTEM DETAILS
9	SYSTEM DETAILS

ALLOWABLE SOIL PRESSURE CONSIDERED
(PRESUMPTIVE) = 2000 PSF

NOTE: THIS STRUCTURE HAS BEEN EVALUATED FOR
VERTICAL AND LATERAL LOADS REQUIRED BY THE
2018 NORTH CAROLINA RESIDENTIAL BUILDING CODE.

SQUARE FOOTAGE OF SUNROOM = 168



ERIC OETJEN, P.E., M. ENG.
NC. PROFESSIONAL ENGINEER (NC. LIC. #049195)
5 GREENE STREET
FORT THOMAS, KY. 41075
PH. # 859-393-9049

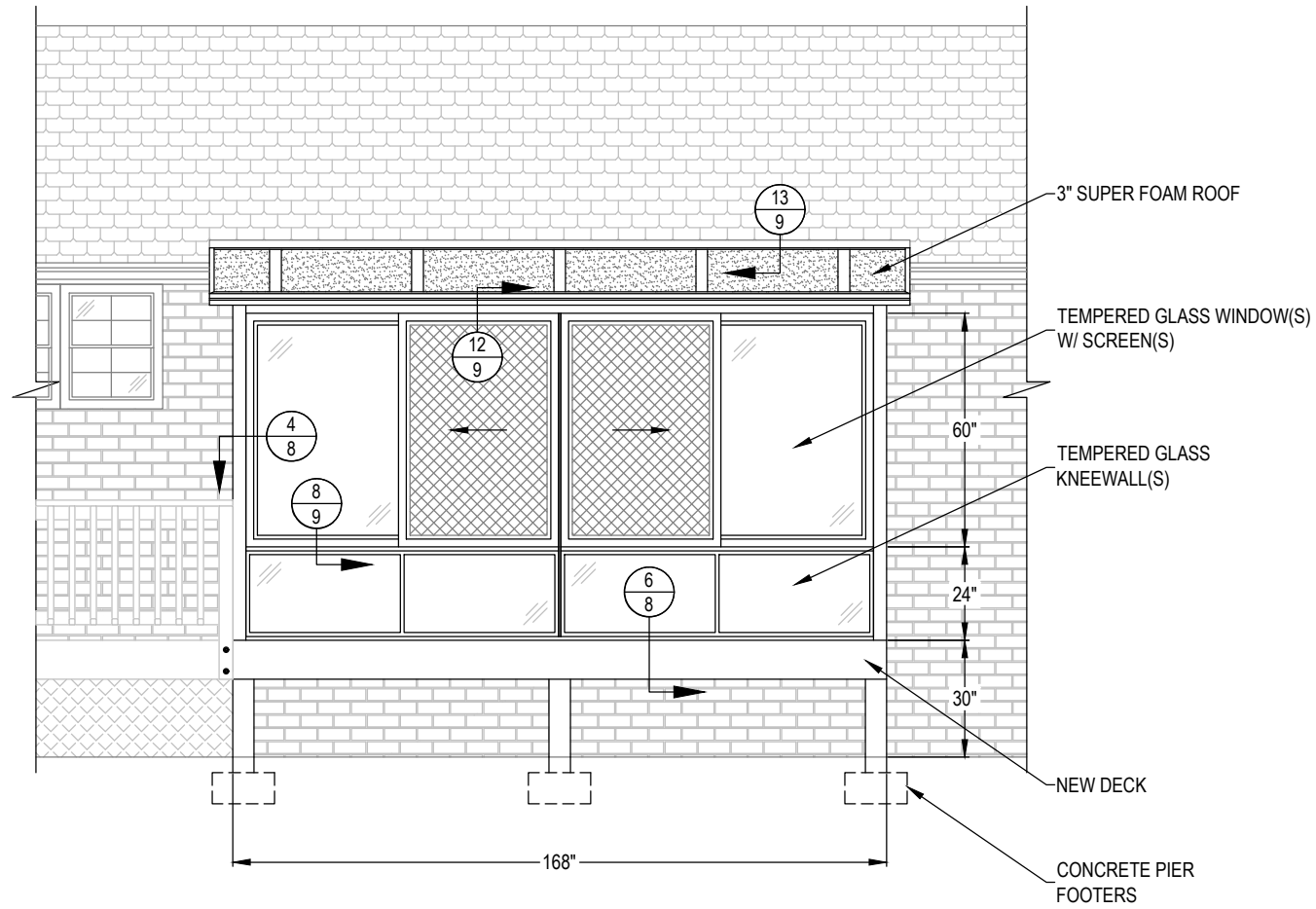
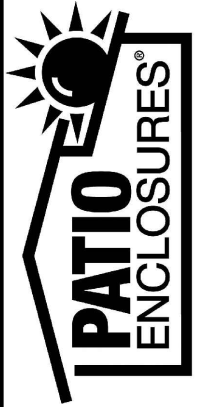
LOCATION
GDI - RALEIGH
951 AVIATION PKWY, SUITE 1000
MORRISVILLE, NC 27560
984-212-8850

EVERETTE COATS
1303 CREEKVIEW LANE
LINDEN, NC 28356
JOB # 20404

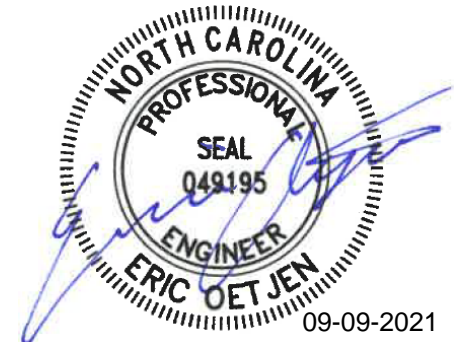
REV. A 9/9/21
DATE 9/7/21

DRAWN PIH
SCALE 1/4" = 1'-0"
SHEET 1 OF 9

THIS DRAWING IS PROPERTY OF GREAT DAY IMPROVEMENTS, LLC., AND DUPLICATION OF THIS DRAWING WITHOUT OUR EXPRESSED WRITTEN CONSENT IS PROHIBITED. ALL RIGHTS RESERVED.



ELEVATION - "B" WALL



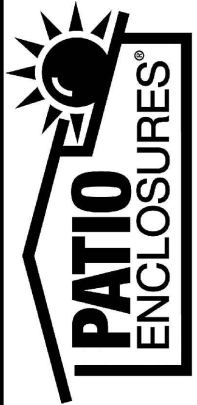
ERIC OETJEN, P.E., M. ENG.
 NC. PROFESSIONAL ENGINEER (NC. LIC. #049195)
 5 GREENE STREET
 FORT THOMAS, KY. 41075
 PH. # 859-393-9049

LOCATION
 GDI - RALEIGH
 951 AVIATION PKWY, SUITE 1000
 MORRISVILLE, NC 27560
 984-212-8850

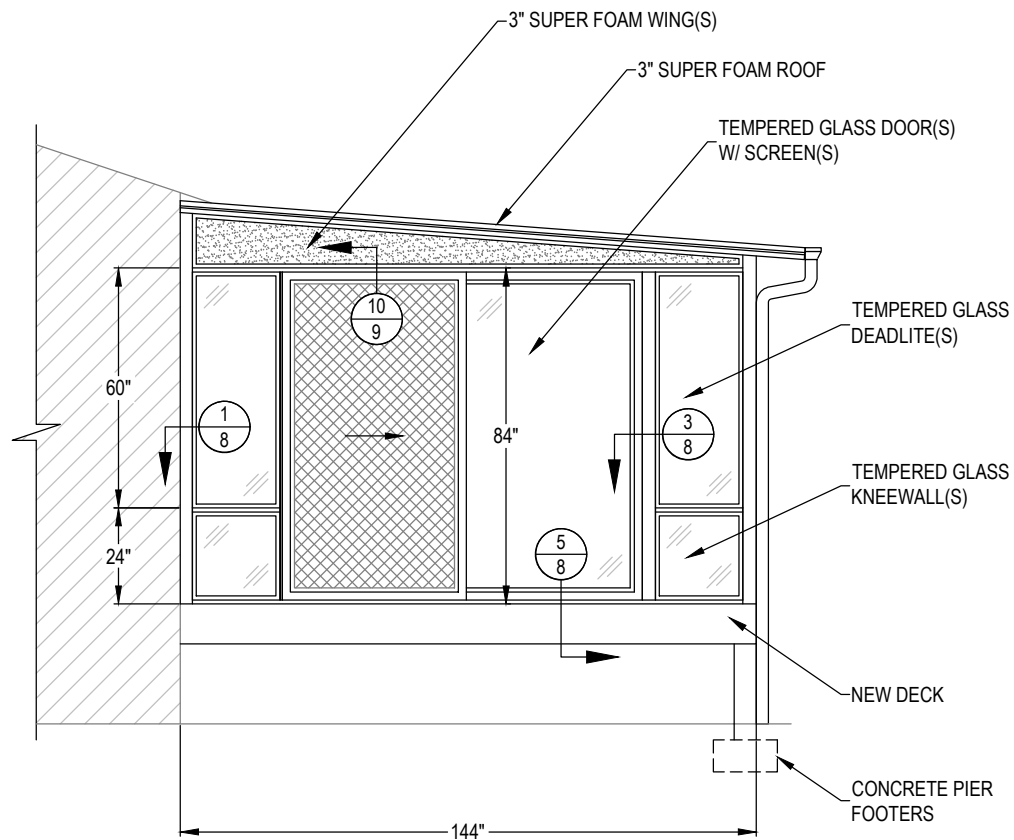
EVERETTE COATS
 1303 CREEKVIEW LANE
 LINDEN, NC 28356
 JOB # 20404

REV. A	9/9/21		
DATE	9/7/21		
DRAWN	PIH		
SCALE	1/4" = 1'-0"		
SHEET	2 OF 9		

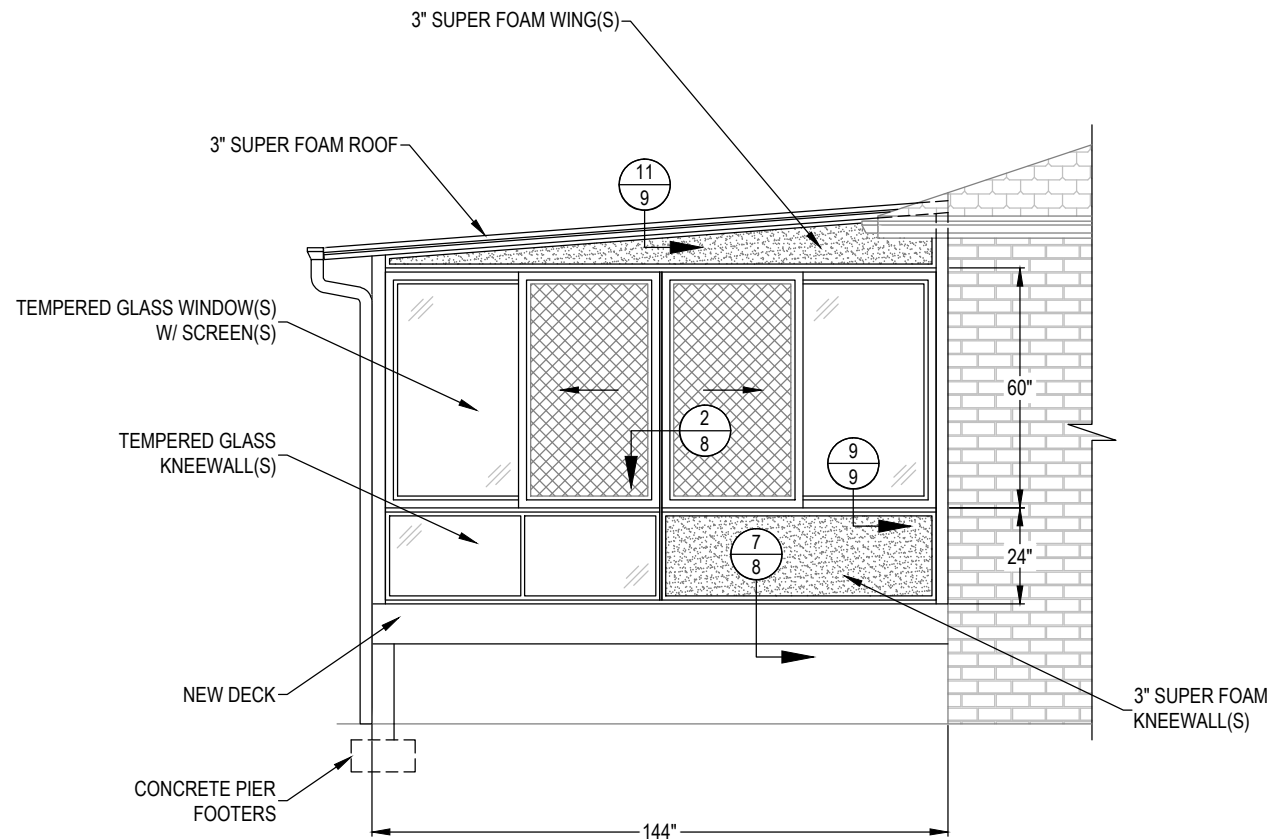
THIS DRAWING IS PROPERTY OF GREAT DAY IMPROVEMENTS, LLC., AND DUPLICATION OF THIS DRAWING WITHOUT OUR EXPRESSED WRITTEN CONSENT IS PROHIBITED. ALL RIGHTS RESERVED.



BY GREAT DAY IMPROVEMENTS, LLC



ELEVATION - "A" WALL
(OPEN DECK & RAILING NOT SHOWN FOR CLARITY)



ELEVATION - "C" WALL



ERIC OETJEN, P.E., M. ENG.
NC. PROFESSIONAL ENGINEER (NC. LIC. #049195)
5 GREENE STREET
FORT THOMAS, KY. 41075
PH. # 859-393-9049

LOCATION
GDI - RALEIGH
951 AVIATION PKWY, SUITE 1000
MORRISVILLE, NC 27560
984-212-8850

EVERETTE COATS
1303 CREEKVIEW LANE
LINDEN, NC 28356
JOB # 20404

REV. A 9/9/21

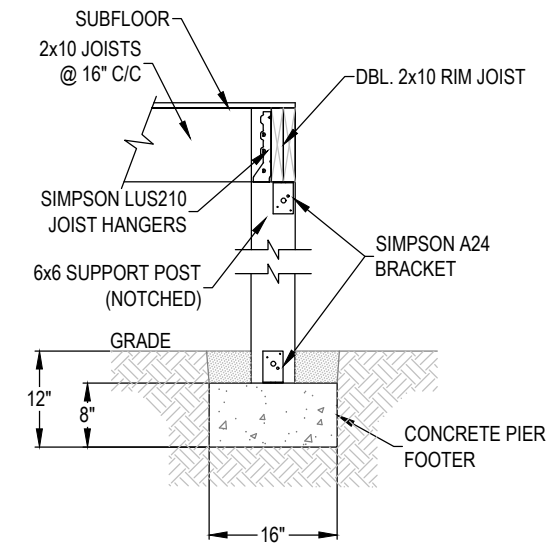
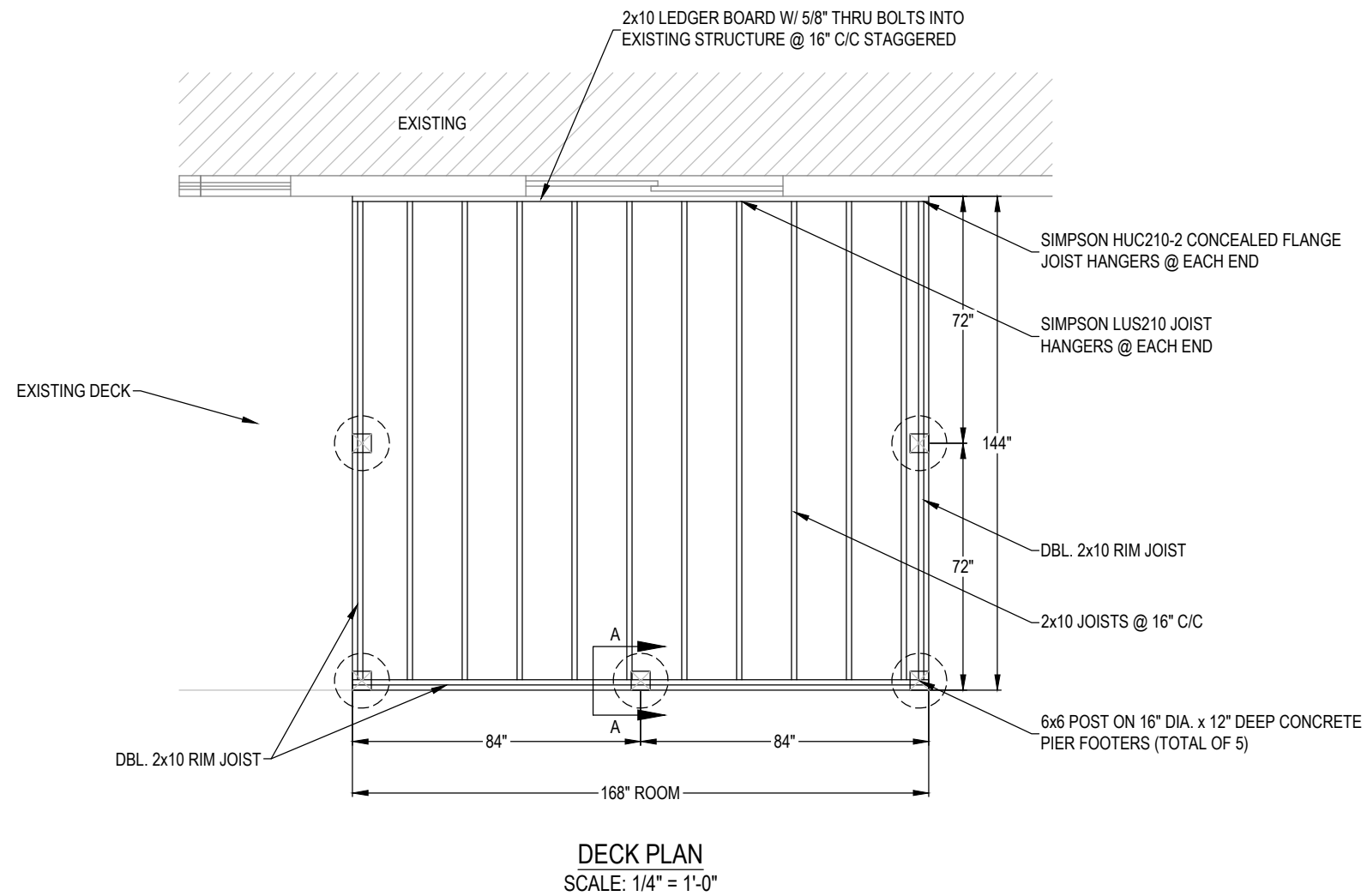
DATE 9/7/21

DRAWN PIH

SCALE 1/4" = 1'-0"

SHEET 3 OF 9

THIS DRAWING IS PROPERTY OF GREAT DAY IMPROVEMENTS, LLC., AND DUPLICATION OF THIS DRAWING WITHOUT OUR EXPRESSED WRITTEN CONSENT IS PROHIBITED. ALL RIGHTS RESERVED



NOTE: ALL NEW LUMBER TO BE PRESSURE TREATED SOUTHERN YELLOW PINE



LOCATION
GDI - RALEIGH
951 AVIATION PKWY, SUITE 1000
MORRISVILLE, NC 27560
984-212-8850

EVERETTE COATS
1303 CREEKVIEW LANE
LINDEN, NC 28356
JOB # 20404

REV. A	9/9/21		
DATE	9/7/21		

ERIC OETJEN, P.E., M. ENG.
NC. PROFESSIONAL ENGINEER (NC. LIC. #049195)
5 GREENE STREET
FORT THOMAS, KY. 41075
PH. # 859-393-9049

DRAWN	PIH
SCALE	AS NOTED
SHEET	4 OF 9

THIS DRAWING IS PROPERTY OF GREAT DAY IMPROVEMENTS, LLC., AND DUPLICATION OF THIS DRAWING WITHOUT OUR EXPRESSED WRITTEN CONSENT IS PROHIBITED. ALL RIGHTS RESERVED.



LOCATION
 GDI - RALEIGH
 951 AVIATION PKWY, SUITE 1000
 MORRISVILLE, NC 27560
 984-212-8850

EVERETTE COATS
 1303 CREEKVIEW LANE
 LINDEN, NC 28356
 JOB # 20404

REV. A 9/9/21

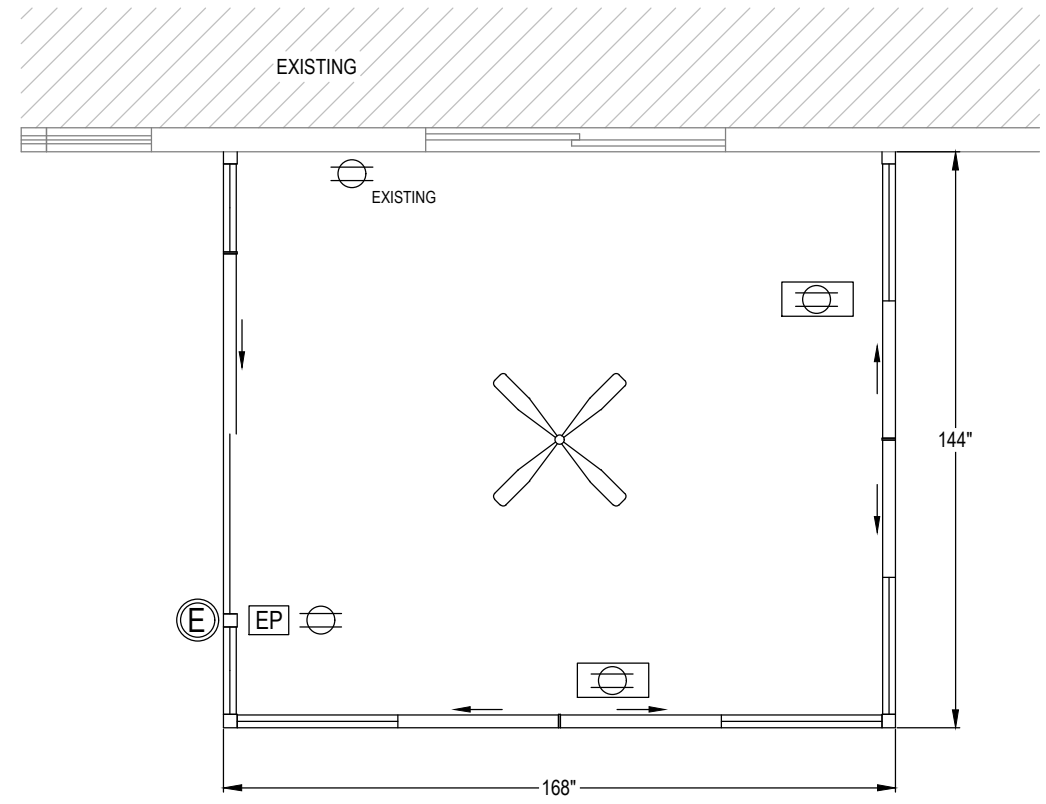
DATE
 9/7/21

DRAWN
 PIH

SCALE
 1/4" = 1'-0"


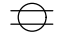


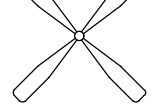
SHEET
 5 OF 9

ERIC OETJEN, P.E., M. ENG.
 NC. PROFESSIONAL ENGINEER (NC. LIC. #049195)
 5 GREENE STREET
 FORT THOMAS, KY. 41075
 PH. # 859-393-9049

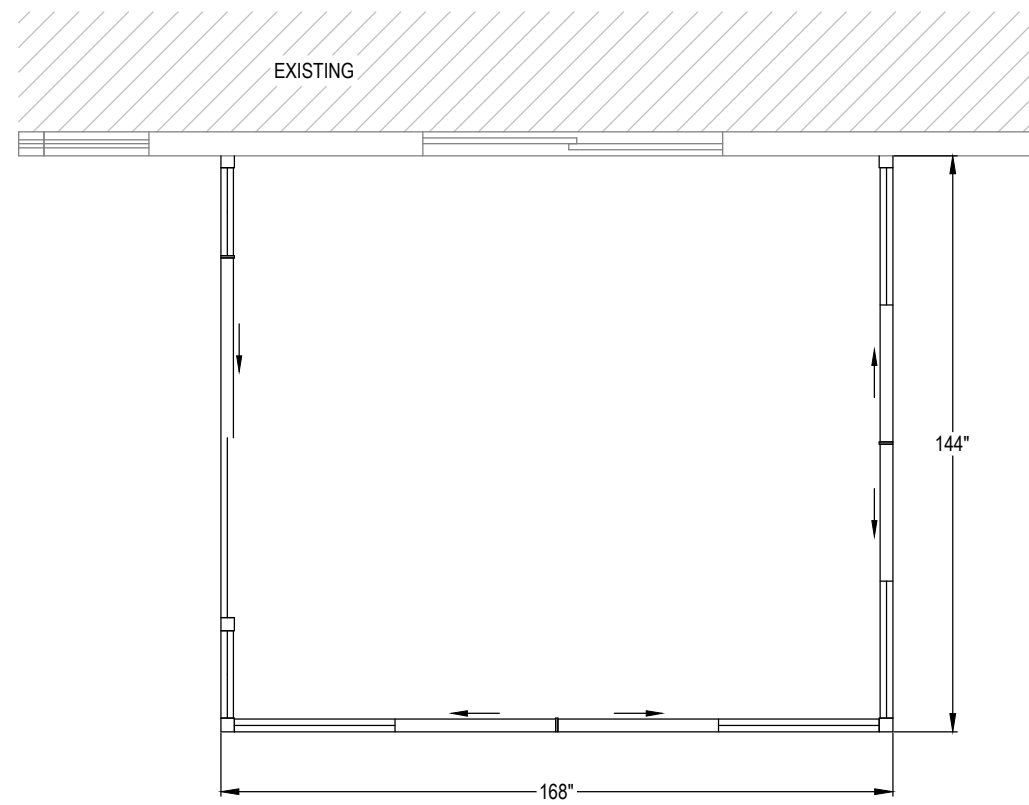


ELECTRICAL PLAN

GDI ELECTRICAL SYMBOL LEGEND

-  ELECTRICAL RACEWAY POST
-  DUPLEX RECEPTACLE
-  FLOOR DUPLEX RECEPTACLE
-  EXIT LIGHT
-  CEILING FAN

THIS DRAWING IS PROPERTY OF GREAT DAY IMPROVEMENTS, LLC., AND DUPLICATION OF THIS DRAWING WITHOUT OUR EXPRESSED WRITTEN CONSENT IS PROHIBITED. ALL RIGHTS RESERVED.



FLOOR PLAN



ERIC OETJEN, P.E., M. ENG.
 NC. PROFESSIONAL ENGINEER (NC. LIC. #049195)
 5 GREENE STREET
 FORT THOMAS, KY. 41075
 PH. # 859-393-9049

REV. A	9/9/21		

DATE 9/7/21

DRAWN PIH

SCALE 1/4" = 1'-0"

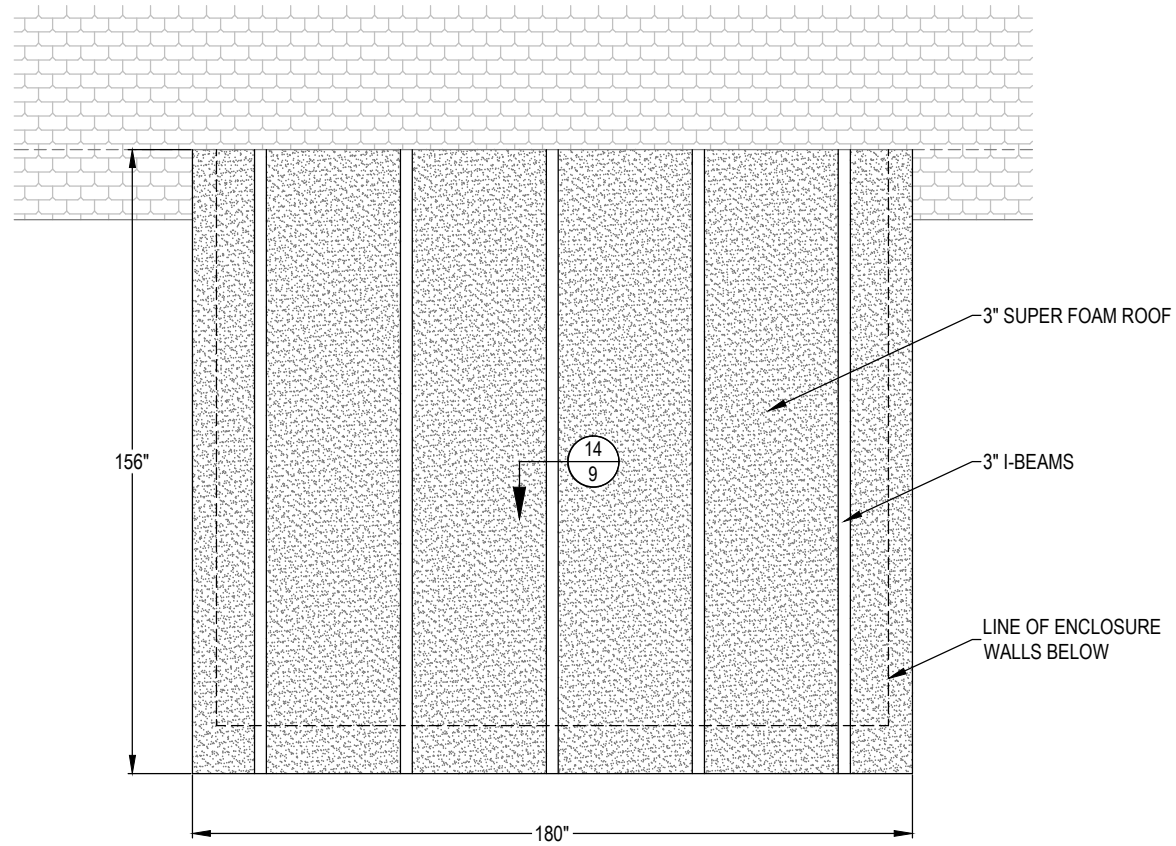
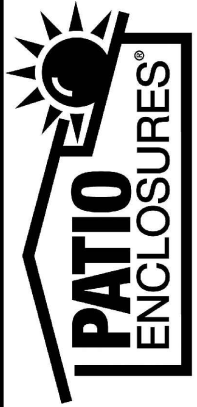
SHEET 6 OF 9

LOCATION
 GDI - RALEIGH
 951 AVIATION PKWY, SUITE 1000
 MORRISVILLE, NC 27560
 984-212-8850

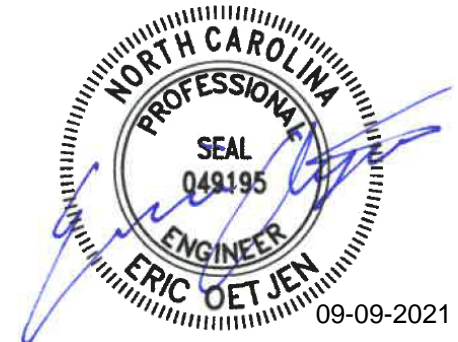
EVERETTE COATS
 1303 CREEKVIEW LANE
 LINDEN, NC 28356
 JOB # 20404



THIS DRAWING IS PROPERTY OF GREAT DAY IMPROVEMENTS, LLC., AND DUPLICATION OF THIS DRAWING WITHOUT OUR EXPRESSED WRITTEN CONSENT IS PROHIBITED. ALL RIGHTS RESERVED



ROOF PLAN



ERIC OETJEN, P.E., M. ENG.
 NC. PROFESSIONAL ENGINEER (NC. LIC. #049195)
 5 GREENE STREET
 FORT THOMAS, KY. 41075
 PH. # 859-393-9049

LOCATION
 GDI - RALEIGH
 951 AVIATION PKWY, SUITE 1000
 MORRISVILLE, NC 27560
 984-212-8850

EVERETTE COATS
 1303 CREEKVIEW LANE
 LINDEN, NC 28356
 JOB # 20404

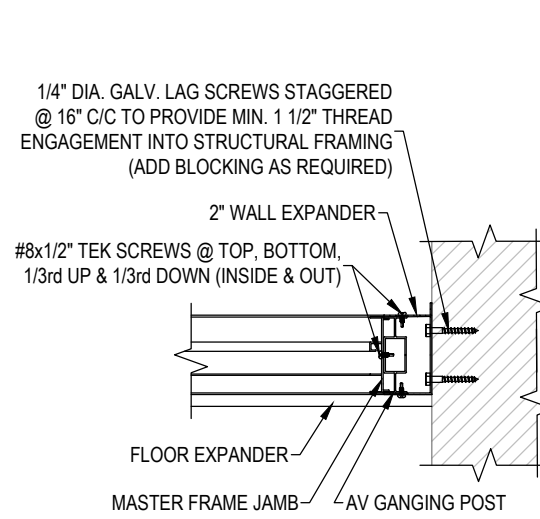
REV. A	9/9/21		
DATE	9/7/21		

DRAWN	PIH
SCALE	1/4" = 1'-0"
SHEET	7 OF 9

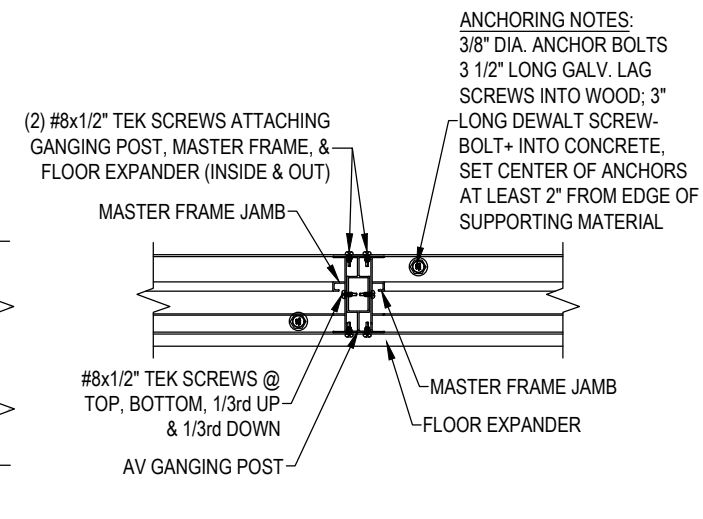
THIS DRAWING IS PROPERTY OF GREAT DAY IMPROVEMENTS, LLC., AND DUPLICATION OF THIS DRAWING WITHOUT OUR EXPRESSED WRITTEN CONSENT IS PROHIBITED. ALL RIGHTS RESERVED



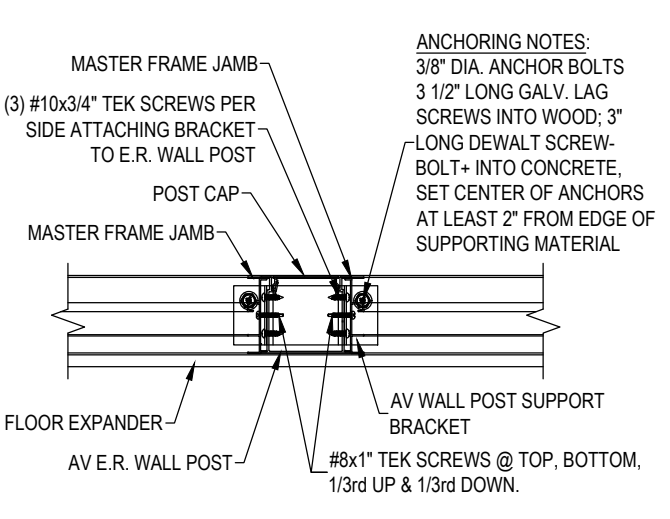
BY GREAT DAY IMPROVEMENTS, LLC



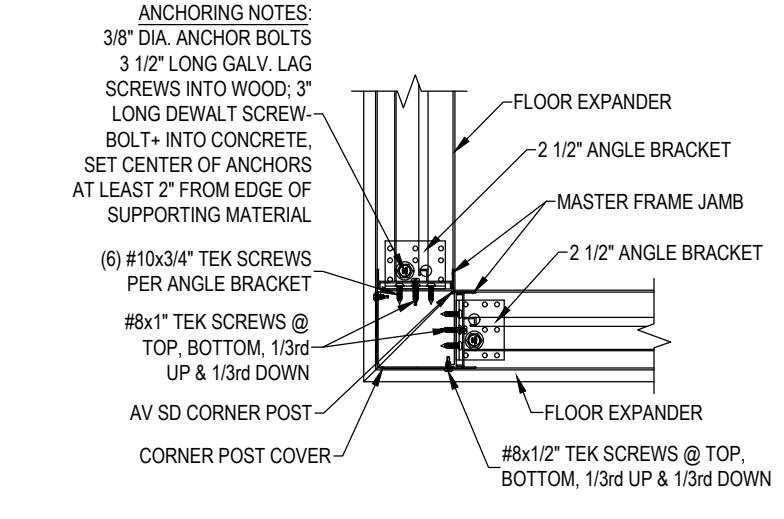
1 PLAN VIEW OF MASTER FRAME JAMB
8 CONNECTION @ EXISTING WALL



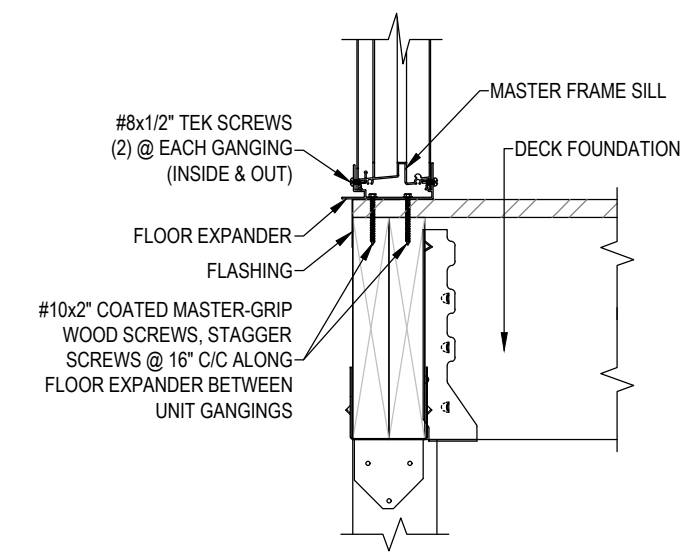
2 PLAN VIEW OF MASTER FRAME JAMBS
8 CONNECTION @ GANGING POST



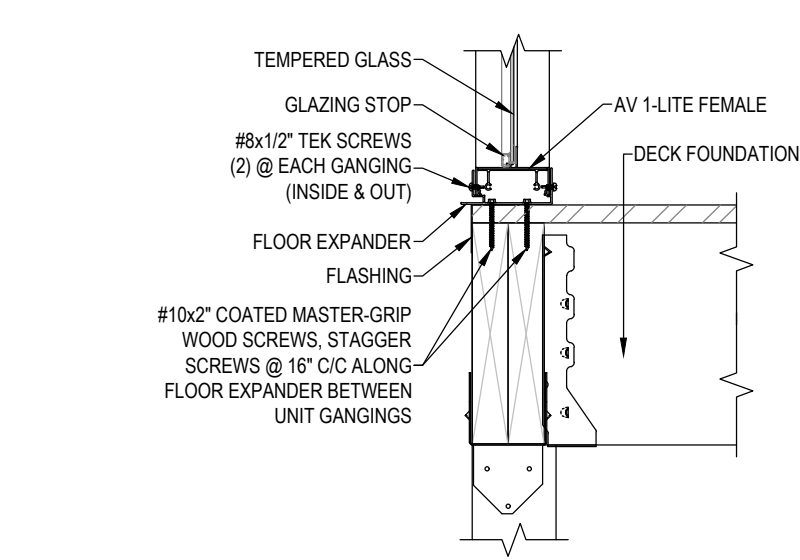
3 PLAN VIEW OF MASTER FRAME JAMBS
8 CONNECTION @ AV E.R. WALL POST



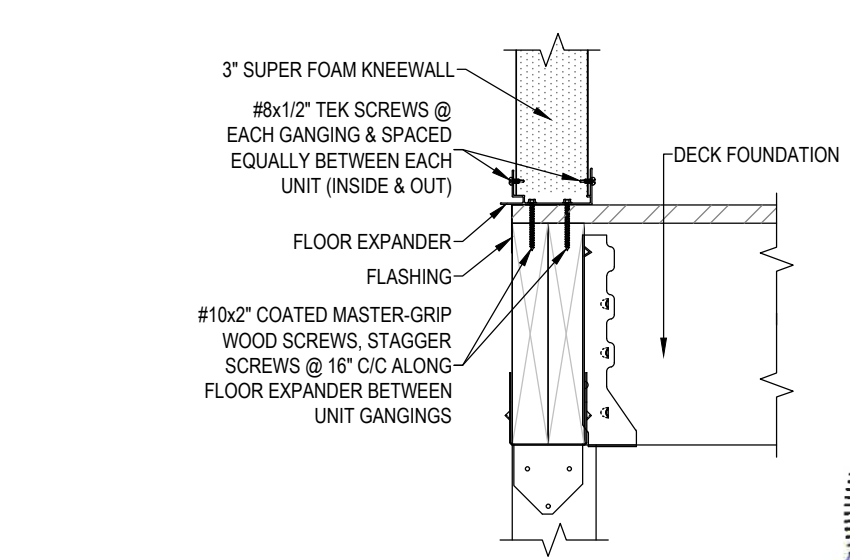
4 PLAN VIEW OF MASTER FRAME JAMBS
8 CONNECTION @ CORNER POST



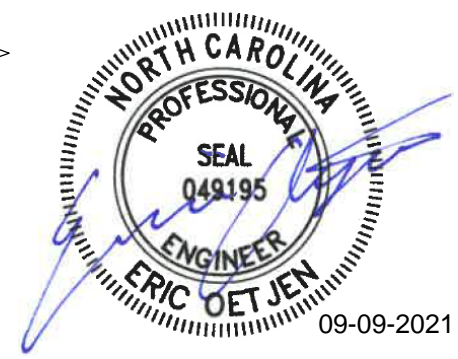
5 SECTION THROUGH MASTER FRAME SILL
8 CONNECTION @ DECK FOUNDATION



6 SECTION THROUGH GLASS KNEEWALL
8 CONNECTION @ DECK FOUNDATION



7 SECTION THROUGH FOAM KNEEWALL
8 CONNECTION @ DECK FOUNDATION



LOCATION
GDI - RALEIGH
951 AVIATION PKWY, SUITE 1000
MORRISVILLE, NC 27560
984-212-8850

EVERETTE COATS
1303 CREEKVIEW LANE
LINDEN, NC 28356
JOB # 20404

REV. A	9/9/21		
--------	--------	--	--

DATE
9/7/21

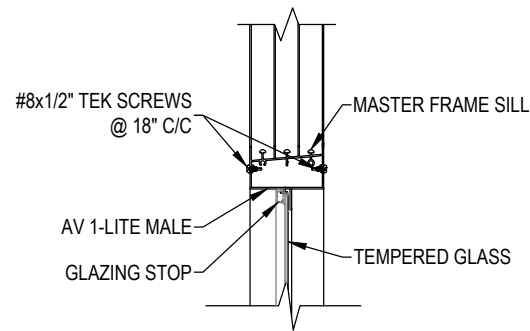
DRAWN
PIH

SCALE
1 1/2" = 1'-0"

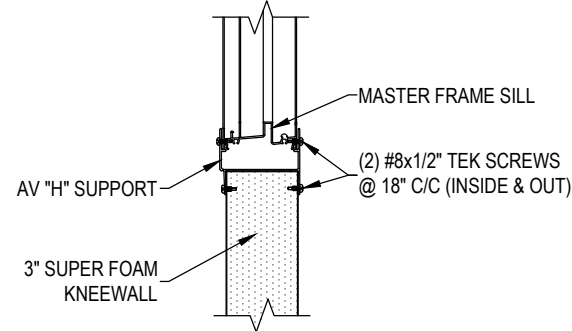
SHEET
8 OF 9

ERIC OETJEN, P.E., M. ENG.
NC. PROFESSIONAL ENGINEER (NC. LIC. #049195)
5 GREENE STREET
FORT THOMAS, KY. 41075
PH. # 859-393-9049

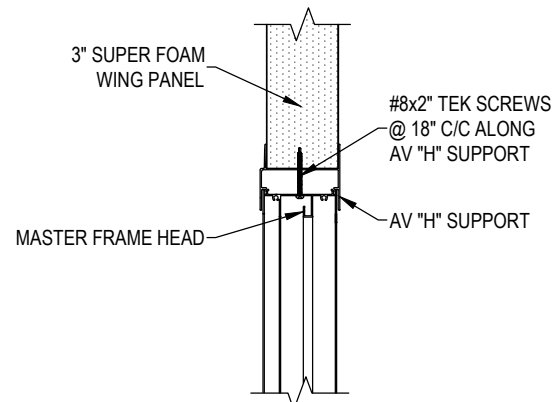
THIS DRAWING IS PROPERTY OF GREAT DAY IMPROVEMENTS, LLC., AND DUPLICATION OF THIS DRAWING WITHOUT OUR EXPRESSED WRITTEN CONSENT IS PROHIBITED. ALL RIGHTS RESERVED.



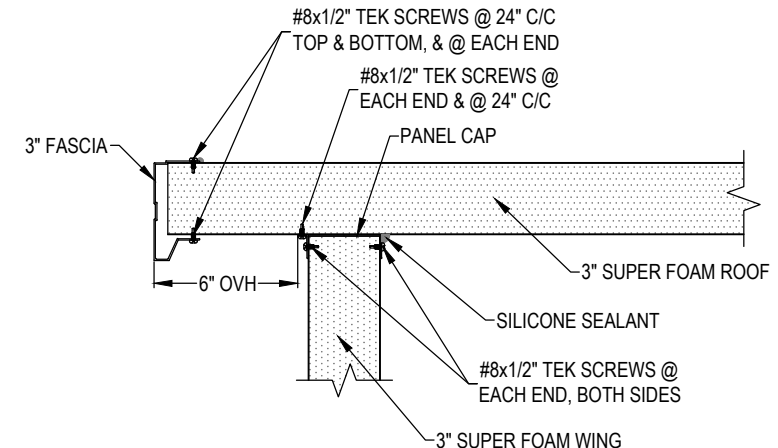
8 SECTION THROUGH MASTER FRAME SILL
9 CONNECTION @ GLASS KNEEWALL



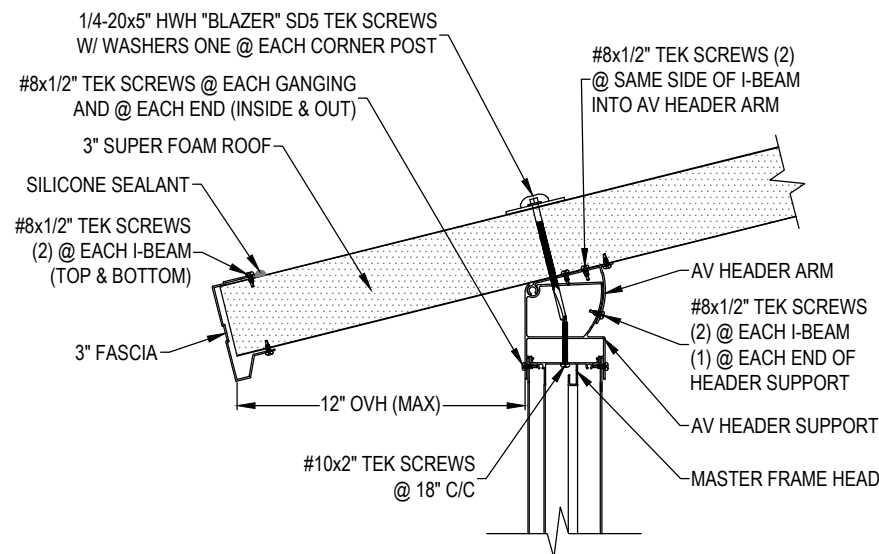
9 SECTION THROUGH MASTER FRAME SILL
9 CONNECTION @ FOAM KNEEWALL



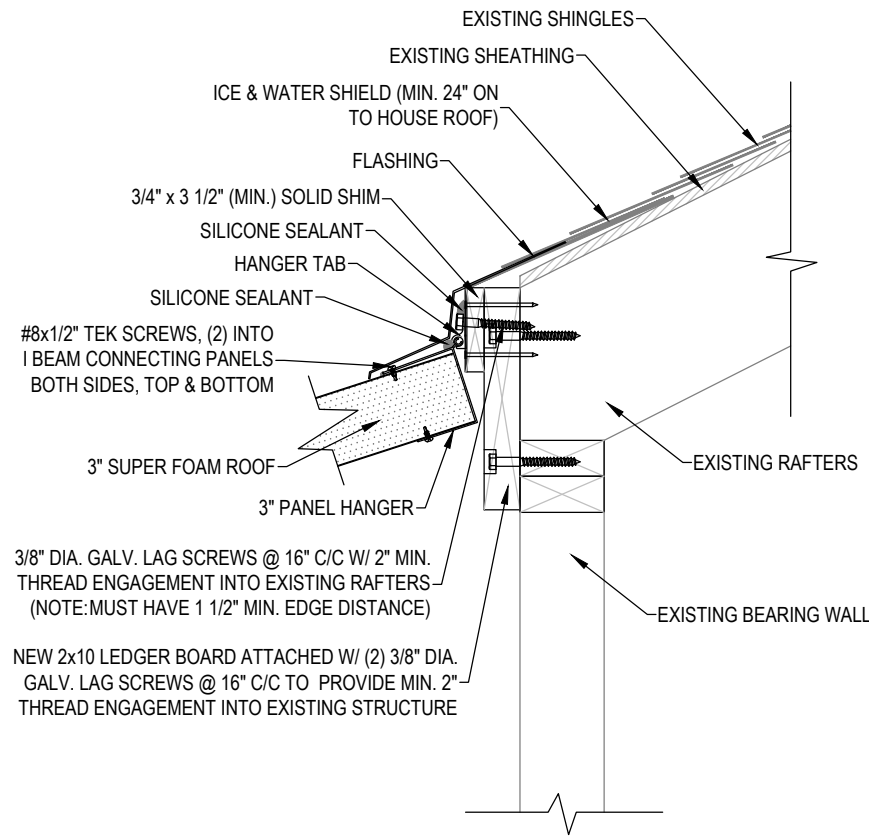
10 SECTION THROUGH MASTER FRAME
9 HEAD CONNECTION @ FOAM WING



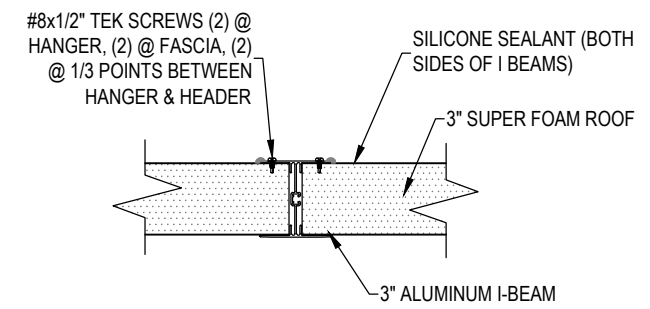
11 SECTION THROUGH 3\"/>



12 SECTION THROUGH MASTER FRAME & HEADER
9 CONNECTION @ 3\"/>



13 SECTION THROUGH 3\"/>



14 SECTION THROUGH 3\"/>



ERIC OETJEN, P.E., M. ENG.
NC. PROFESSIONAL ENGINEER (NC. LIC. #049195)
5 GREENE STREET
FORT THOMAS, KY. 41075
PH. # 859-393-9049



LOCATION
GDI - RALEIGH
951 AVIATION PKWY, SUITE 1000
MORRISVILLE, NC 27560
984-212-8850

EVERETTE COATS
1303 CREEKVIEW LANE
LINDEN, NC 28356
JOB # 20404

REV. A	9/9/21		
--------	--------	--	--

DATE
9/7/21

DRAWN
PIH

SCALE
1 1/2" = 1'-0"

SHEET
9 OF 9

THIS DRAWING IS PROPERTY OF GREAT DAY IMPROVEMENTS, LLC., AND DUPLICATION OF THIS DRAWING WITHOUT OUR EXPRESSED WRITTEN CONSENT IS PROHIBITED. ALL RIGHTS RESERVED.