

GENERAL REQUIREMENTS

REFER TO SUBSEQUENT PLAN AND DETAIL NOTES FOR VARIATIONS AND REQUIREMENTS SPECIFIC TO REFERENCED PROJECT.

NOTES ON DRAWINGS TAKE PRECEDENCE OVER GENERAL STRUCTURAL NOTES.

DESIGN CRITERIA

BUILDING CODE PERFORMANCE (MEETS OR EXCEEDS REQUIREMENTS):

- 2015 INTERNATIONAL BUILDING CODE (IBC)
- 2015 INTERNATIONAL RESIDENTIAL CODE (IRC)
- 2018 NORTH CAROLINA BUILDING CODE (NCBC)
- 2018 NORTH CAROLINA RESIDENTIAL CODE (NCRC)

DEAD LOADS:

FLOOR DEAD LOAD 15 PSF
 INTERIOR WOOD WALL DEAD LOAD 9 PSF

LIVE LOADS:

FLOOR LIVE LOAD (RESIDENTIAL) 40 PSF

DEFLECTIONS:

TOTAL LOAD DEFLECTION LIMIT L/240
 LIVE LOAD DEFLECTION LIMIT L/360

REFERENCE STANDARDS:

CONFORM TO IBC CHAPTER 18 "SOILS & FOUNDATIONS"

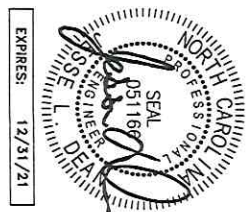
DESIGN SOIL VALUES:

ALLOWABLE FOUNDATION PRESSURE (ASSUMED) 1500 PSF

FSI SMARTJACK SYSTEM INFO

PART	DESCRIPTION	COMMENTS	MIN YIELD STRESS, F _y	MIN TENSILE STRESS, F _u
SJQ350T	ASTM A500 GRADE C HD GALV. PER ASTM 123, HSS 3 1/2x3 1/2x0.095 x L SQUARE TUBE		50 KSI	62 KSI
SJQ400B	ASTM A500 GRADE C HD GALV. PER ASTM 123, HSS 4x4x0.120 x L SQUARE TUBE		50 KSI	62 KSI
SJQ125ATR	ASTM A108 GRADE 1018 1 1/4"φx0'-10" L THREADED ROD W/ WELDED HEAVY HEX NUT		54 KSI	64 KSI
SJQ350BP-C	ASTM A572 GRADE 50 R _e 3/16x16x3'-0" ASTM A572 GRADE 50 R _e 3/16x3 1/2" STIFFENERS	COMPETENT NATIVE SOIL W/ SAND FTG CONDITION PER PLAN	50 KSI	65 KSI
SJQ350TP-B	ASTM A36 0.120" BENT CAPTURE R _e ASTM A572 GRADE 50 R _e 3/4x2 1/2x0'-4.13" ASTM A53 GRADE B 1 3/4"φx1/4x1 3/8" L CONFINING RING	STEEL BEAM U-BRACKET CONDITION	36 KSI 50 KSI	58 KSI 65 KSI
SJQ350TP-C	ASTM A572 GRADE 50 BENT R _e 3/16x9.78x0'-11" ASTM A572 GRADE 50 R _e 3/8x3 1/2x0'-11" ASTM A53 GRADE B 1 3/4"φx1/4x1.38" L CONFINING RING	STEEL BEAM SPLICE BRACKET CONDITION	50 KSI 50 KSI 35 KSI	65 KSI 65 KSI 60 KSI
SJQ350TI	ASTM A36 BENT R _e 0.120" ASTM A572 GRADE 50 R _e 3/4x3.63x0'-3.63" W/ 1 1/4"φ THREAD TAP		36 KSI 50 KSI	58 KSI 65 KSI

NOTE:
 INSTALL PER MFR RECOMMENDATIONS



CHATELIER RESIDENCE

5162 NURSERY RD
 SPRING LAKE, NC 28390

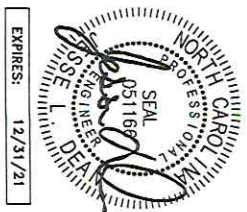


GENERAL NOTES

REVISIONS

PROJECT NO: SE21-296
 DESIGNED BY: CAF
 DRAWN BY: CAF
 CHECKED BY: JLD
 DATE: 2021.10.02

SHEET NO: **S1.1**



EXPIRES: 12/31/21



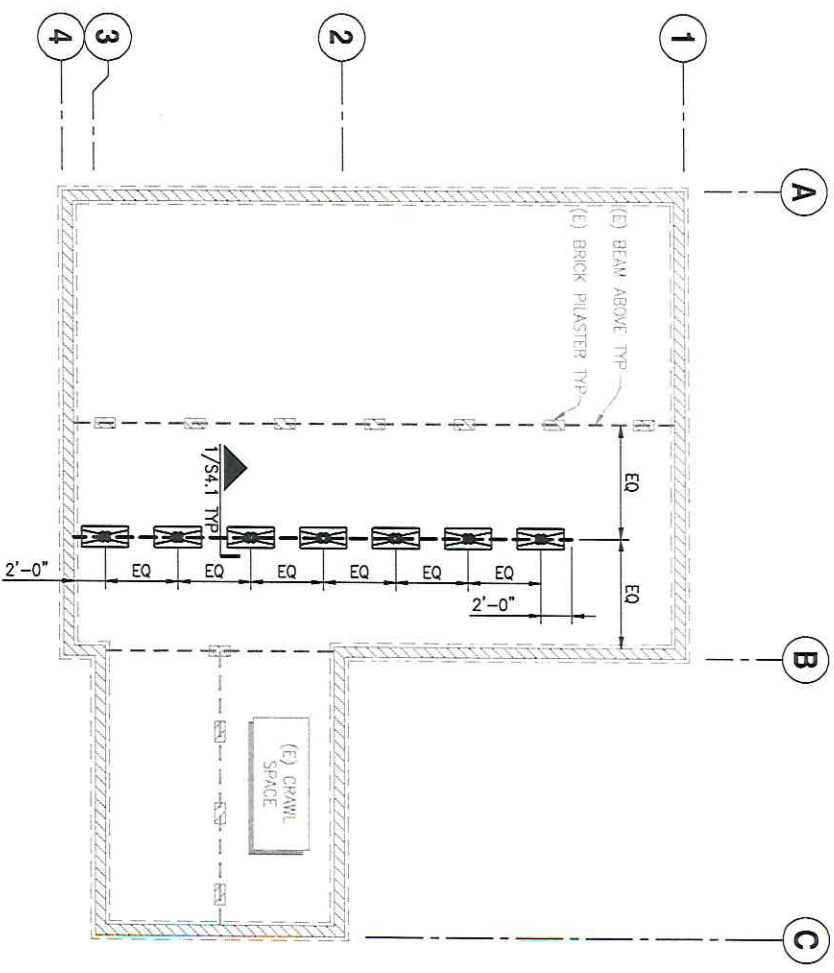
CHATELIER RESIDENCE
 5162 NURSERY RD
 SPRING LAKE, NC 28390

(E) FOUNDATION/
 (N) SMARTJACK
 LAYOUT PLAN

REVISIONS

PROJECT NO: SFA1296
 DESIGNED BY: CAF
 DRAWN BY: CAF
 CHECKED BY: JLD
 DATE: 2021.10.02

SHEET NO: **S2.1**



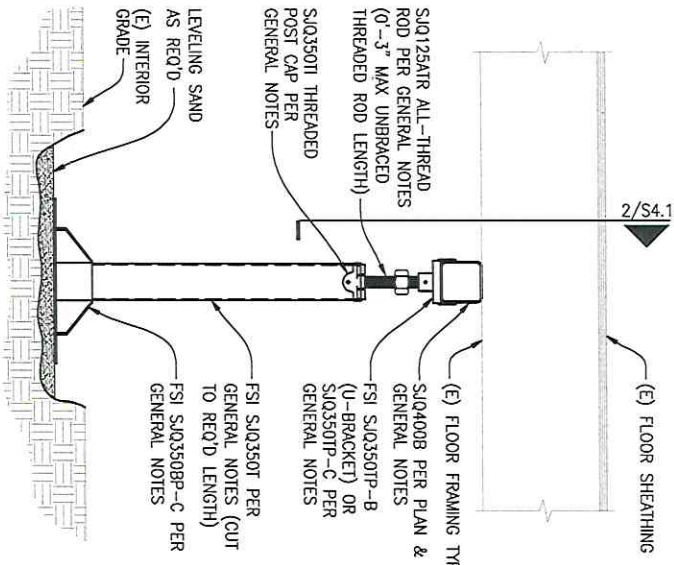
(E) FOUNDATION/(N) SMARTJACK LAYOUT PLAN NOTES:

1. REFERENCE S1.1 FOR GENERAL REQUIREMENTS
2. CONTRACTOR TO NOTIFY ENGINEER OF RECORD OF DISCREPANCIES BETWEEN FIELD CONDITIONS & THOSE SHOWN IN THESE DOCUMENTS PRIOR TO WORK TYP
3. INDICATES (E) BRICK WALL ON (E) CONC FOOTING (NOTIFY ENGINEER OF RECORD IF FIELD CONDITIONS DIFFER IN THE AREA OF WORK)
4. SECTION CUT - DETAIL NUMBER/SHEET NUMBER X/S4.X
5. INDICATES LOCATION OF FSI SLO350 SMARTJACK ((7) TOTAL) MAX LOAD TO SMARTJACK = 4,368 LBS
6. REPLACE "IN-KIND" ALL (E) WOOD MEMBERS (JOISTS, PURLINS, SUBPURLINS, SHEATHING, STUDS, WALL PLATES) WHICH SHOW SIGNS OF DRY ROT OR STRUCTURAL DAMAGE
7. ALL WOOD EXPOSED TO CONCRETE, WEATHER, OR WITHIN 6" OF FINISH GRADE SHALL BE PRESSURE-TREATED
8. CONTRACTOR SHALL NOT REMOVE ANY (E) POSTS OR PRE-CAST FOOTINGS SUPPORTING THE (E) FLOOR FRAMING
9. ALL CONSTRUCTION MATERIALS IN THESE DOCUMENTS ARE (N) UNO

(E) FOUNDATION/ (N) SMARTJACK LAYOUT PLAN

SCALE: 1/8"=1'-0"



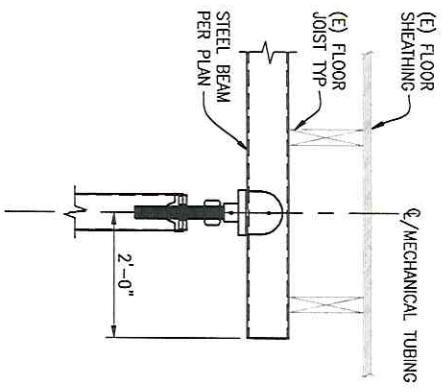


- NOTES:
1. REF PLAN FOR LAYOUT & INSTALLATION REQ'S
 2. INSTALL PER MFR RECOMMENDATIONS

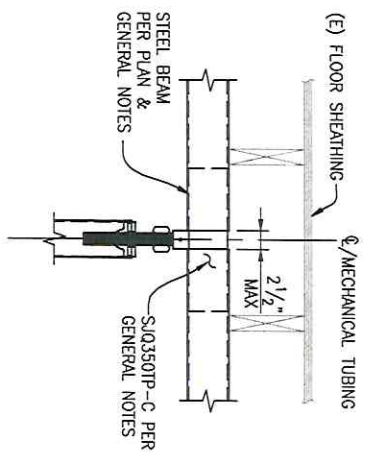
FSI SMARTJACK IN CRAWLSPACE

SCALE: 1"=1'-0"

1



STEEL BEAM END CONDITION



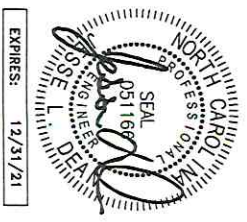
STEEL BEAM INTERMEDIATE CONDITION

- NOTE:
- REF 1/S4.1 FOR CALLOUTS IN COMMON

(N) SMARTJACK W/ SUPPLEMENTAL BEAM

SCALE: 1"=1'-0"

2



CHATELIER RESIDENCE

5162 NURSERY RD
SPRING LAKE, NC 28390



REVISIONS

PROJECT NO:	SEP1726
DESIGNED BY:	CAF
DRAWN BY:	CAF
CHECKED BY:	JLD
DATE:	2021.10.02

SHEET NO:
S4.1