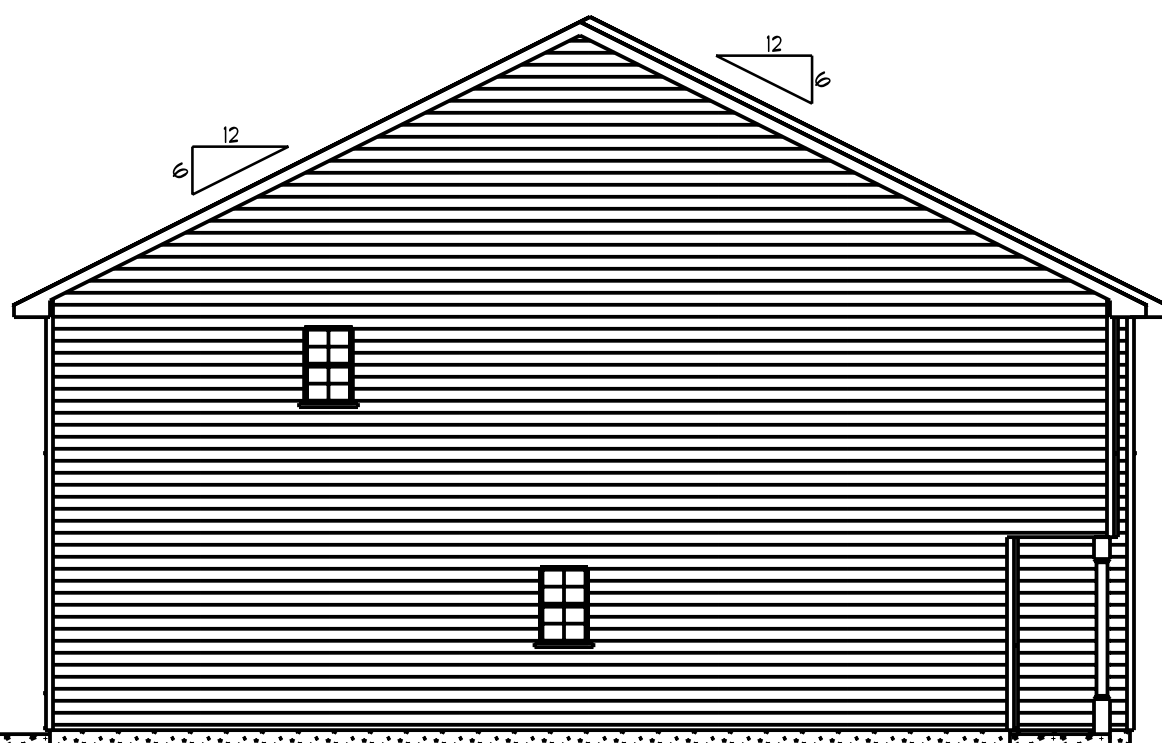




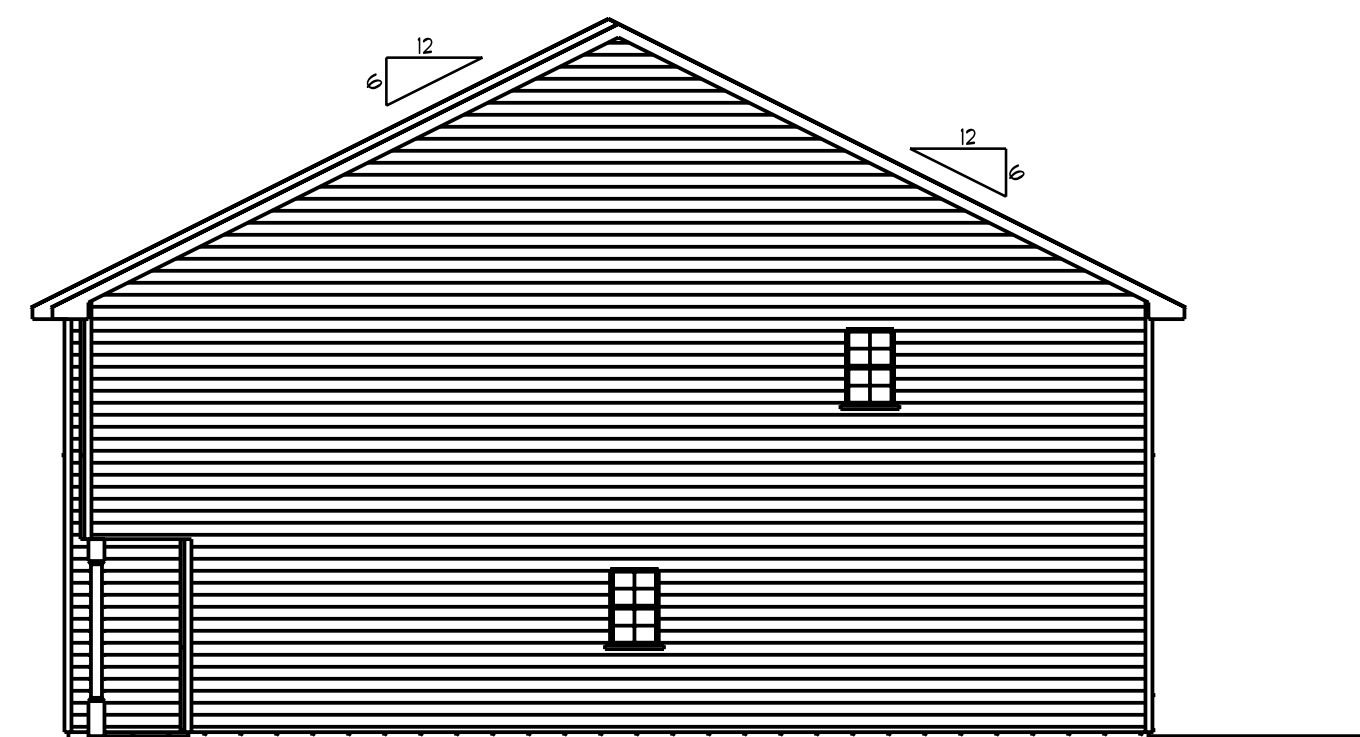
Front Elevation
Scale: 1/4" = 1'0"



Rear Elevation
Scale: 1/8" = 1'0"

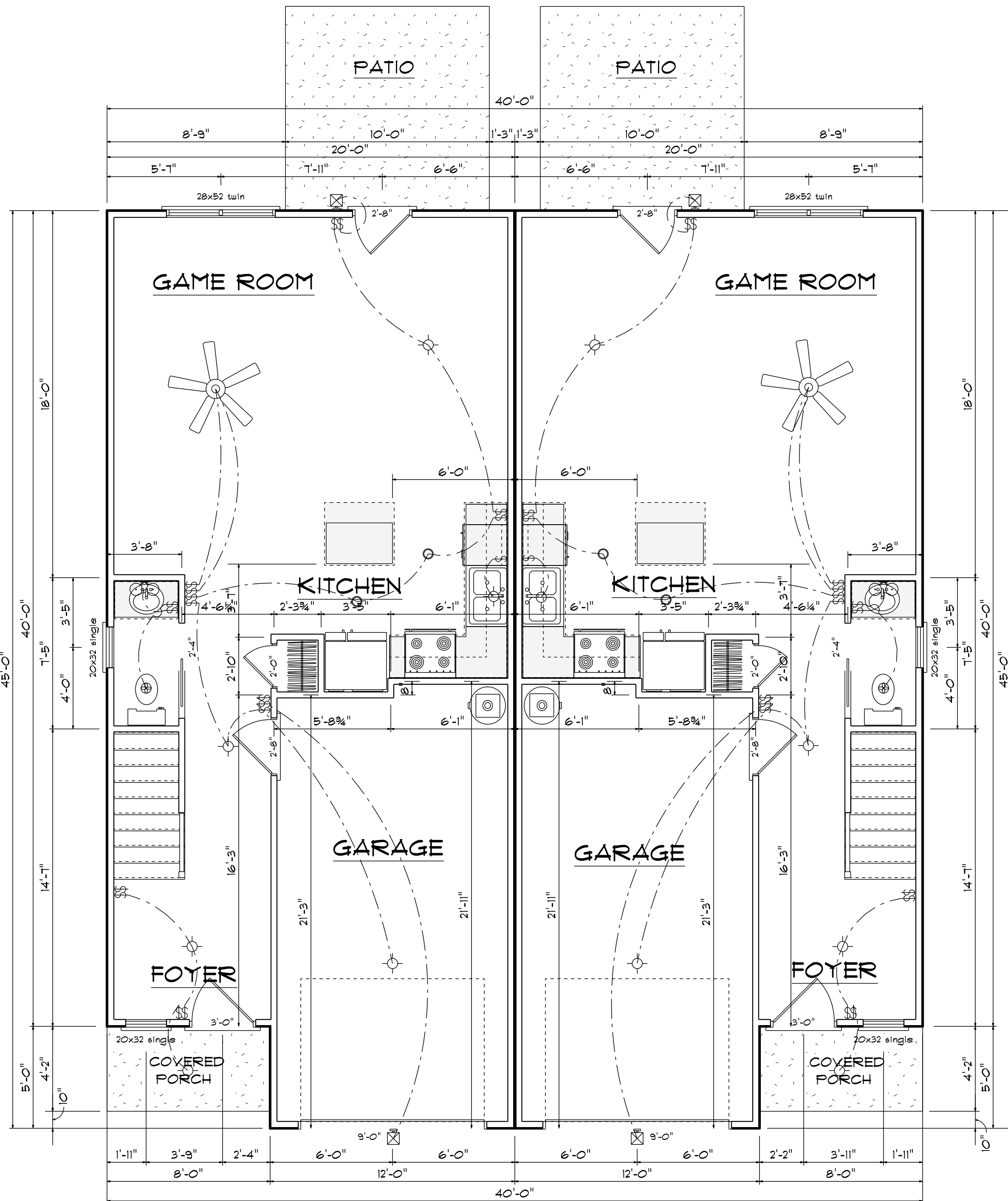


Left Elevation
Scale: 1/8" = 1'0"



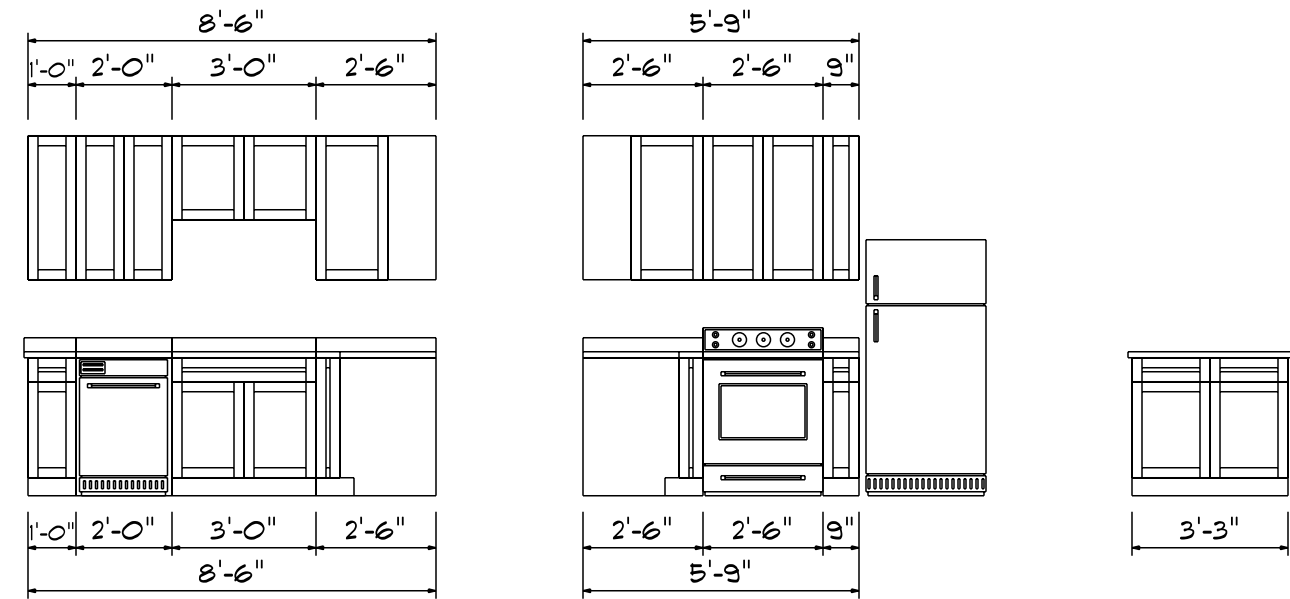
Right Elevation
Scale: 1/8" = 1'0"

DATE: 1/19/2022	REVISIONS
SCALE: 1/4"	DRAWN BY
	APPROVED



First Floor Plan
 Scale: 1/4" = 1'-0"

Kitchen Cabinets



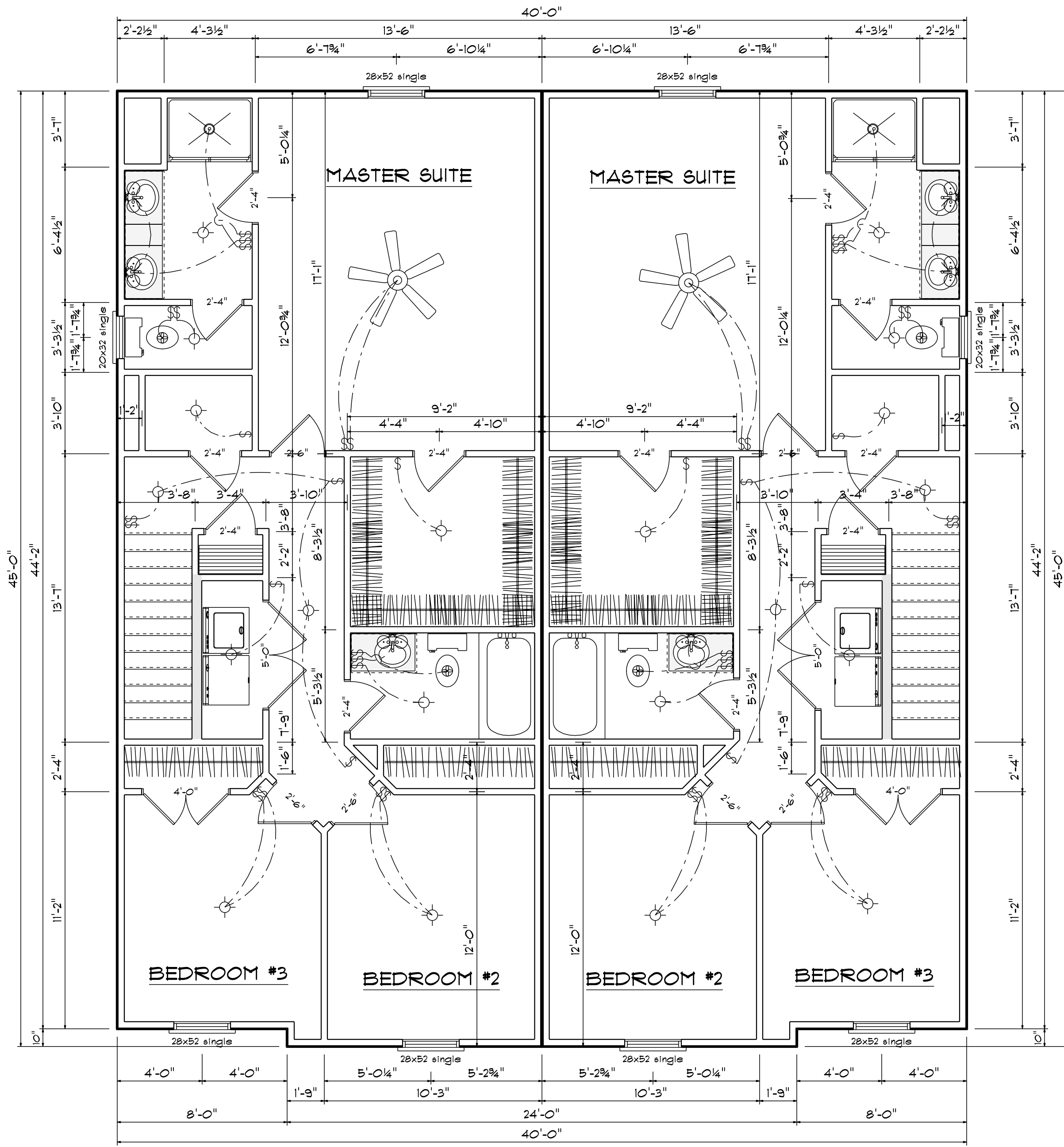
FIRST FLOOR OPENING SCHEDULE			
PRODUCT CODE	SIZE	HINGE	COUNT
36X80 COLONIAL A 1	3'-0"	L	1
36X80 COLONIAL A 1	3'-0"	R	1
32X80 FRENCH A 1	2'-8"	L	1
32X80 FRENCH A 1	2'-8"	R	1
108X84 - 4 PANEL - GARAGE DOOR	9'-0"	U	2
2-0 Door Unit	2'-0"	R	1
2-0 Door Unit	2'-0"	L	1
2-8 Door Unit	2'-8"	L	1
2-8 Door Unit	2'-8"	R	1
24 pocket	2'-4"	N	2
20x32 single	2'-0" x 3'-2"	N	4
28x52 twin	5'-4" x 5'-2"	NN	2

Areas Per Unit

First Floor	619
Second Floor	878
=====	
Total Heated	1497
Garage	262
Front Porch	39
Patio	100

DATE: 1/19/2022
 REVISED
 DRAWING#

SCALE: 1/4"
 DRAWN BY
 APPROVED



SECOND FLOOR OPENING SCHEDULE			
PRODUCT CODE	SIZE	HINGE	COUNT
2-4 Door Unit	2'-4"	R	6
2-4 Door Unit	2'-4"	L	6
2-6 Door Unit	2'-6"	R	3
2-6 Door Unit	2'-6"	L	3
4-0 Doublehung Door Unit	4'-0"	LR	1
4-0 Doublehung Door Unit	4'-0"	LR	1
5-0 Doublehung Door Unit	5'-0"	LR	1
5-0 Doublehung Door Unit	5'-0"	LR	1
20x32 single	2'-0" x 3'-2"	N	2
28x52 single	2'-8" x 5'-2"	N	6

Second Floor Plan

Scale: 1/4" = 1'-0"

DATE: 1/19/2022

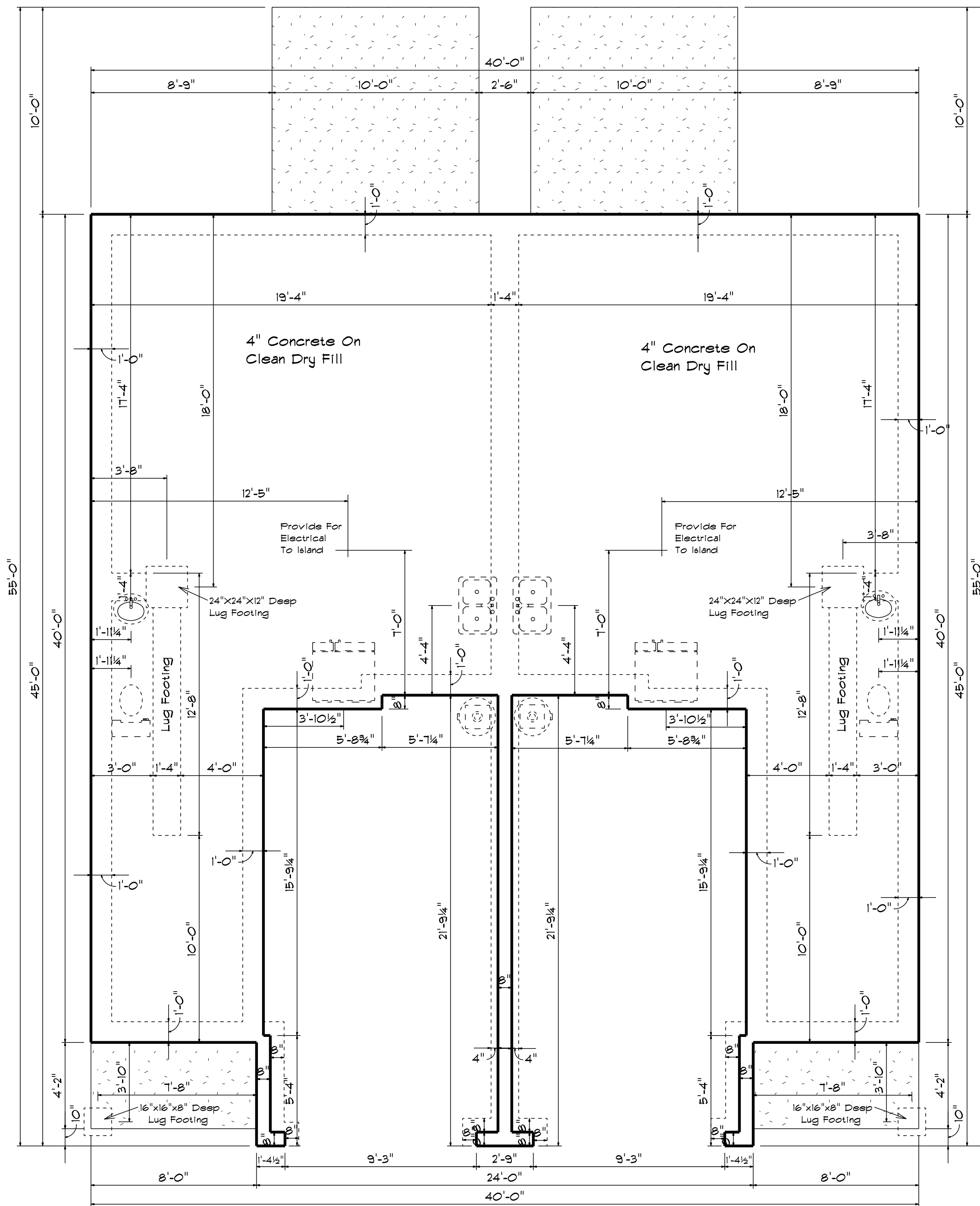
REVISED

DRAWING#

SCALE: 1/4"

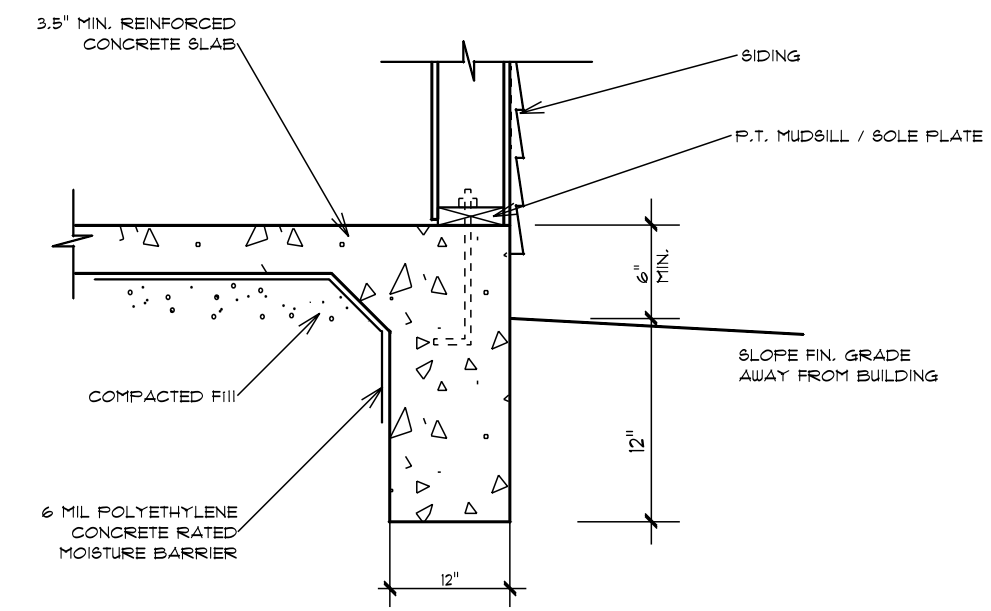
DRAWN BY

APPROVED

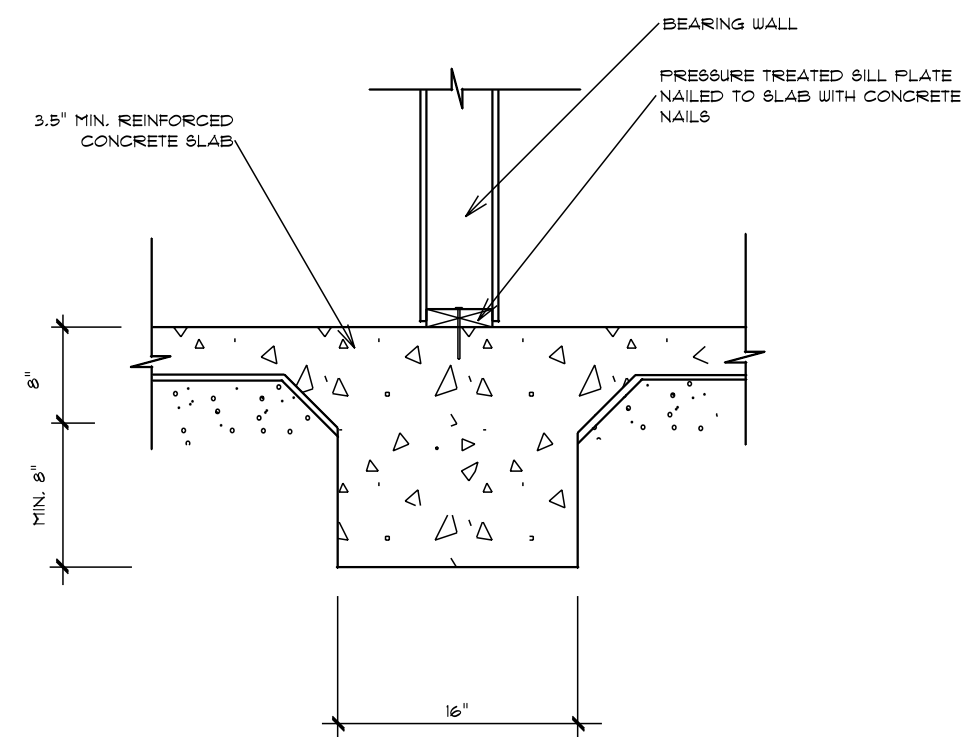


Foundation Plan

Scale: 1/4" = 1'-0"



TURN-DOWN FOOTING DETAIL



INTEGRAL SLAB FOOTING DETAIL AT BEARING WALL

DATE: 1/19/2022
REVISED
DRAWING#

SCALE: 1/4"
DRAWN BY
APPROVED