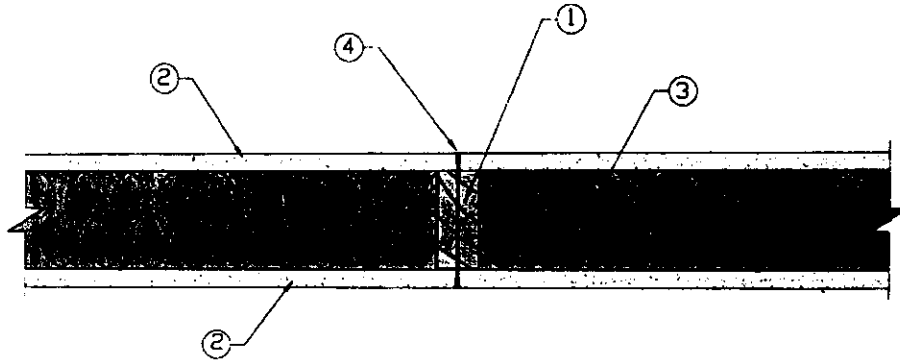


# Documented in Approved Source

## WS4-1.1 One Hour Fire-Resistive Wood-Frame Wall Assembly

2x4 Wood Stud Wall - 100% Design Load - ASTM E 119/NFPA 251

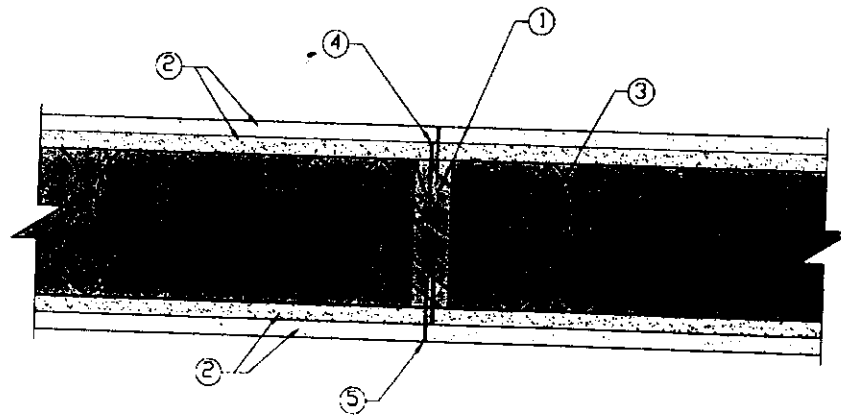


29

# Documented in Approved Source

## WS6-2.1 Two-Hour Fire-Resistive Wood-Frame Wall Assembly

2x6 Wood Stud Wall - 100% Design Load - ASTM E 119/NFPA 251



30