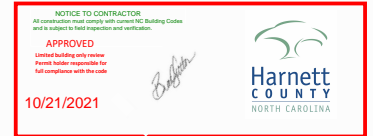


Eagle Carports

"Flying High with Great Deals"



STRUCTURAL DESIGN

ENCLOSED BUILDING

MAXIMUM 30'- 0" WIDE X 20'- 0" HEIGHT- BOX EAVE FRAME AND BOW FRAME

23 December 2019

Revision 8

M&A Project No. 16166S/17207S/17293S/18012S/18260S/19320S

Prepared for:

Eagle Carports
210 Airport Road
Mount Airy, NC 27030

Prepared by:

Moore and Associates Engineering and Consulting, Inc.

1009 East Avenue
North Augusta, SC 29841

401 S. Main Street, Suite 200
Mount Airy, NC 27030



MOORE AND ASSOCIATES
ENGINEERING AND CONSULTING

**MOORE AND ASSOCIATES
ENGINEERING AND CONSULTING, INC.**

DRAWN BY: LT

CHECKED BY: PDH

PROJECT MGR: WSM

CLIENT: EAGLE CARPORTS

EAGLE CARPORTS
210 AIRPORT ROAD
MOUNT AIRY, NC 27030
30'-0"x20'-0" SP ENCLOSED STRUCTURE

DATE: 12-23-19

SHT. 1





SCALE: NTS

DWG. NO: SK-3

JOB NO: 16166S/
18012S/18260S/19320S

REV: 8

THIS DOCUMENT IS THE PROPERTY OF MOORE AND ASSOCIATES ENGINEERING AND CONSULTING. THE UNAUTHORIZED REPRODUCTION, COPYING, OR OTHERWISE USE OF THIS DOCUMENT IS STRICTLY PROHIBITED AND ANY INFRINGEMENT THEREUPON MAY BE SUBJECT TO LEGAL ACTION.

			
	<p>I HAVE RESEARCHED THIS CHAPTER AND THE LOUISIANA STATE UNIFORM CONSTRUCTION CODE AND TO THE BEST OF MY KNOWLEDGE AND BELIEF, THESE DRAWINGS ARE IN COMPLIANCE THEREWITH. I TAKE FULL RESPONSIBILITY FOR THE CONTENTS OF THESE PLANS.</p>		
	<p>Professional Certification. I hereby certify that these documents were prepared or approved by me, and that I am a duly licensed professional engineer under the laws of the State of Maryland, License No. 49744, Expiration Date <u>6/8/20</u></p>		
			

<p>MOORE AND ASSOCIATES ENGINEERING AND CONSULTING, INC.</p>	<p>DRAWN BY: LT</p>	<p>EAGLE CARPORTS 210 AIRPORT ROAD MOUNT AIRY, NC 27030 30'-0"x20'-0" SP ENCLOSED STRUCTURE</p>		
	<p>CHECKED BY: PDH</p>	<p>PROJECT MGR: WSM</p>	<p>DATE: 12-23-19</p>	<p>SCALE: NTS JOB NO: 16166S/ 18012S/18260S/19320S</p>
<p><small>THIS DOCUMENT IS THE PROPERTY OF MOORE AND ASSOCIATES ENGINEERING AND CONSULTING. THE UNAUTHORIZED REPRODUCTION, COPYING, OR OTHERWISE USE OF THIS DOCUMENT IS STRICTLY PROHIBITED AND ANY INFRINGEMENT THEREUPON MAY BE SUBJECT TO LEGAL ACTION.</small></p>	<p>CLIENT: EAGLE CARPORTS</p>	<p>SHT. 1A</p>	<p>DWG. NO: SK-3</p>	<p>REV: 8</p>

DRAWING INDEX

SHEET 1	PE SEAL COVER SHEET (1 OF 2)
SHEET 1A	PE SEAL COVER SHEET (2 OF 2)
SHEET 2	DRAWING INDEX
SHEET 3	INSTALLATION NOTES AND SPECIFICATIONS
SHEET 3A	TYPICAL SIDE AND END ELEVATIONS
SHEET 4	TYPICAL RAFTER/COLUMN END FRAMING SECTION (BOX EAVE RAFTER) (EXPOSURE B)
SHEET 4A	TYPICAL RAFTER/COLUMN END AND SIDE FRAMING SECTION (BOX EAVE RAFTER) (EXPOSURE B)
SHEET 4B	TYPICAL RAFTER/COLUMN END FRAMING SECTION (BOX EAVE RAFTER) (EXPOSURE C)
SHEET 4C	TYPICAL RAFTER/COLUMN END AND SIDE FRAMING SECTION (BOX EAVE RAFTER) (EXPOSURE C)
SHEET 5	COLUMN CONNECTION DETAILS (BOX EAVE STRUCTURE) (EXPOSURE B)
SHEET 5A	COLUMN CONNECTION DETAILS (BOX EAVE STRUCTURE) (EXPOSURE B)
SHEET 5B	COLUMN CONNECTION DETAILS (BOX EAVE STRUCTURE) (EXPOSURE C)
SHEET 5C	COLUMN CONNECTION DETAILS (BOX EAVE STRUCTURE) (EXPOSURE C)
SHEET 6	TYPICAL RAFTER/COLUMN END FRAMING SECTION (BOW RAFTER) (EXPOSURE B)
SHEET 6A	TYPICAL RAFTER/COLUMN END AND SIDE FRAMING SECTION (BOW RAFTER) (EXPOSURE B)
SHEET 6B	TYPICAL RAFTER/COLUMN END FRAMING SECTION (BOW RAFTER) (EXPOSURE C)
SHEET 6C	TYPICAL RAFTER/COLUMN END AND SIDE FRAMING SECTION (BOW RAFTER) (EXPOSURE C)
SHEET 7	COLUMN CONNECTION DETAILS (BOW RAFTER STRUCTURE) (EXPOSURE B)
SHEET 7A	COLUMN CONNECTION DETAILS (BOW RAFTER STRUCTURE) (EXPOSURE B)
SHEET 7B	COLUMN CONNECTION DETAILS (BOW RAFTER STRUCTURE) (EXPOSURE C)
SHEET 7C	COLUMN CONNECTION DETAILS (BOW RAFTER STRUCTURE) (EXPOSURE C)
SHEET 8	BASE RAIL ANCHORAGE OPTIONS
SHEET 9	TYPICAL END WALL AND SIDE WALL FRAMING SECTIONS (BOX EAVE RAFTER)
SHEET 10	TYPICAL END WALL AND SIDE WALL FRAMING SECTIONS (BOW RAFTER)
SHEET 11	CONNECTION DETAILS
SHEET 12	CONNECTION DETAILS
SHEET 13	LEAN-TO OPTIONS (BOX EAVE RAFTER)
SHEET 13A	LEAN-TO OPTIONS (BOX EAVE RAFTER)
SHEET 13B	LEAN-TO OPTIONS (BOX EAVE RAFTER) (EXPOSURE B)
SHEET 13C	LEAN-TO OPTIONS (BOX EAVE RAFTER) (EXPOSURE C)
SHEET 14	LEAN-TO OPTIONS (BOW RAFTER)
SHEET 14A	LEAN-TO OPTIONS (BOW RAFTER) (EXPOSURE B)
SHEET 14B	LEAN-TO OPTIONS (BOW RAFTER) (EXPOSURE C)
SHEET 15	VERTICAL ROOF/SIDING OPTION END AND SIDE ELEVATION AND SECTION
SHEET 16	SIDE WALL AND END WALL HEADER OPTIONS

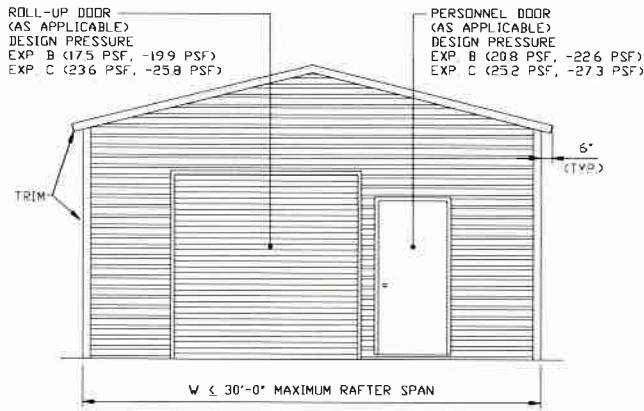
MOORE AND ASSOCIATES ENGINEERING AND CONSULTING, INC.	DRAWN BY: LT	EAGLE CARPORTS 210 AIRPORT ROAD MOUNT AIRY, NC 27030 30'-0"x20'-0" SP ENCLOSED STRUCTURE			
	CHECKED BY: PDH				
THIS DOCUMENT IS THE PROPERTY OF MOORE AND ASSOCIATES ENGINEERING AND CONSULTING. THE UNAUTHORIZED REPRODUCTION, COPYING, OR OTHERWISE USE OF THIS DOCUMENT IS STRICTLY PROHIBITED AND ANY INFRINGEMENT THEREUPON MAY BE SUBJECT TO LEGAL ACTION.	PROJECT MGR: WSM	DATE: 12-23-19	SCALE: NTS	JOB NO: 16166S/ 18012S/18260S/19320S	
	CLIENT: EAGLE CARPORTS	SHT. 2	DWG. NO: SK-3	REV: 8	

INSTALLATION NOTES AND SPECIFICATIONS

1. DESIGN IS FOR MAXIMUM 30'-0" WIDE x 20'-0" EAVE HEIGHT ENCLOSED STRUCTURES.
2. DESIGN WAS DONE IN ACCORDANCE WITH THE 2017 FLORIDA BUILDING CODE (FBC) 6TH EDITION, 2018 NORTH CAROLINA BUILDING CODE, 2006 INTERNATIONAL BUILDING CODE (IBC), 2009 IBC, 2012 IBC, 2015 IBC, AND 2018 IBC
3. DESIGN LOADS ARE AS FOLLOWS:
 - A) DEAD LOAD = 1.5 PSF
 - B) LIVE LOAD = 12 PSF
 - C) GROUND SNOW LOAD = 35 PSF
 NOTE: DIFFERENTIAL LOADING DUE TO SNOW DRIFTING NOT ANALYZED.
4. 3-SECOND GUST ULTIMATE WIND SPEED (V_{ULT}) 105 TO 140 MPH (NOMINAL WIND SPEED 81 TO 108 MPH).
5. MAXIMUM RAFTER/POST AND END POST SPACING = 5.0 FEET (UNLESS NOTED OTHERWISE)
6. END WALL COLUMNS (POSTS) ARE EQUIVALENT TO SIDE WALL POSTS IN SIZE AND SPACING (UNLESS NOTED OTHERWISE)
7. RISK CATEGORY I.
8. WIND EXPOSURE CATEGORY B/C.
9. SPECIFICATIONS APPLICABLE TO 29 GAUGE METAL PANELS FASTENED DIRECTLY TO 2 1/2"x2 1/2"-14 GAUGE TUBE STEEL (TS) FRAMING MEMBERS.
10. AVERAGE FASTENER SPACING ON-CENTERS ALONG RAFTERS OR HAT CHANNELS, AND COLUMNS (INTERIOR OR END) = 10" O.C. (MAX.)
11. FASTENERS CONSIST OF #12-14x3/4" SELF-DRILLING FASTENER (SDF), USE CONTROL SEAL WASHER WITH EXTERIOR FASTENERS. SPECIFICATIONS APPLICABLE ONLY FOR MEAN ROOF HEIGHT OF 20 FEET OR LESS, AND ROOF SLOPES OF 14° (3:12 PITCH) OR LESS. SPACING REQUIREMENTS FOR OTHER ROOF HEIGHTS AND/OR SLOPES MAY VARY. ROOF SLOPES LESS THAN 3:12 REQUIRE USE OF LAP JOINT SEALANT.
12. ANCHORS SHALL BE INSTALLED THROUGH BASE RAIL WITHIN 6" OF EACH RAFTER COLUMN ALONG SIDES.
13. STANDARD GROUND ANCHORS (SOIL NAILS) CONSIST OF #4 REBAR W/ WELDED NUT x 36" LONG IN SUITABLE SOIL CONDITIONS. OPTIONAL ANCHORAGE MAY BE USED IN SUITABLE SOILS AND MUST BE USED IN UNSUITABLE SOILS AS NOTED.
14. WIND FORCES GOVERN OVER SEISMIC FORCES. SEISMIC PARAMETERS ANALYZED ARE:
 - SOIL SITE CLASS = D
 - RISK CATEGORY I
 - R= 3.25 $I_e = 1.0$
 - $S_{DS} = 2.039 g$ $V = C_s W$
 - $S_{D1} = 1.258 g$

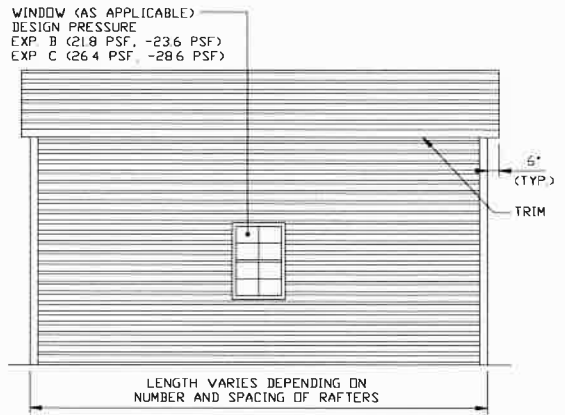
MOORE AND ASSOCIATES ENGINEERING AND CONSULTING, INC.	DRAWN BY: LT	EAGLE CARPORTS 210 AIRPORT ROAD MOUNT AIRY, NC 27030 30-0"x20'-0" SP ENCLOSED STRUCTURE		
	CHECKED BY: PDH			
THIS DOCUMENT IS THE PROPERTY OF MOORE AND ASSOCIATES ENGINEERING AND CONSULTING. THE UNAUTHORIZED REPRODUCTION, COPYING, OR OTHERWISE USE OF THIS DOCUMENT IS STRICTLY PROHIBITED AND ANY INFRINGEMENT THEREUPON MAY BE SUBJECT TO LEGAL ACTION.	PROJECT MGR: WSM	DATE: 12-23-19	SCALE: NTS	JOB NO: 16166S/ 18012S/18260S/19320S
	CLIENT: EAGLE CARPORTS	SHT. 3	DWG. NO: SK-3	REV: 8

BOX EAVE FRAME RAFTER STRUCTURE



TYPICAL END ELEVATION

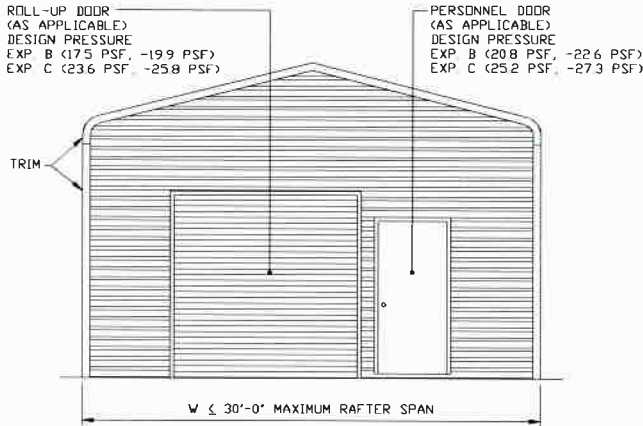
SCALE: NTS



TYPICAL SIDE ELEVATION

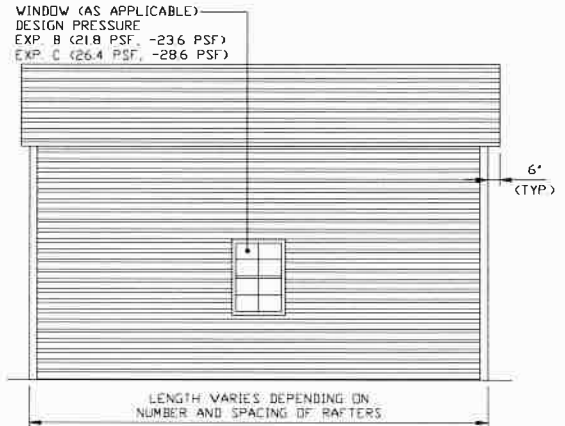
SCALE: NTS

BOW FRAME RAFTER STRUCTURE



TYPICAL END ELEVATION

SCALE: NTS



TYPICAL SIDE ELEVATION

SCALE: NTS

**MOORE AND ASSOCIATES
ENGINEERING AND CONSULTING, INC.**

DRAWN BY: LT

CHECKED BY: PDH

PROJECT MGR: WSM

CLIENT: EAGLE CARPORTS

EAGLE CARPORTS
210 AIRPORT ROAD
MOUNT AIRY, NC 27030
30-0"x20'-0" SP ENCLOSED STRUCTURE

DATE: 12-23-19

SHT. 3A

SCALE: NTS

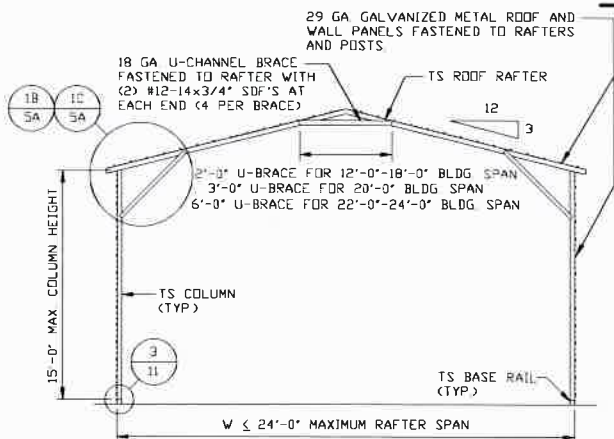
DWG. NO: SK-3

JOB NO: 16166S/
18012S/18260S/19320S

REV: 0

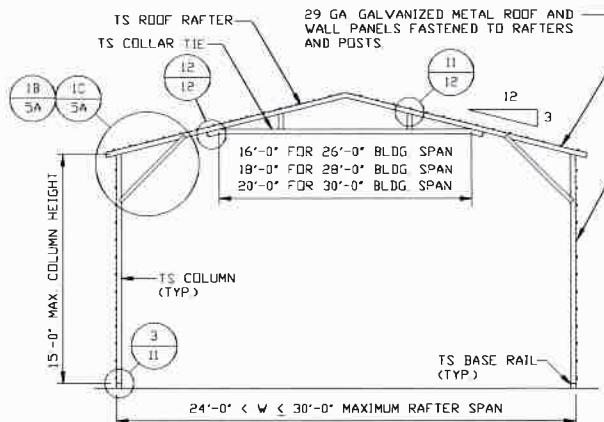
THIS DOCUMENT IS THE PROPERTY OF MOORE AND ASSOCIATES ENGINEERING AND CONSULTING. THE UNAUTHORIZED REPRODUCTION, COPYING, OR OTHERWISE USE OF THIS DOCUMENT IS STRICTLY PROHIBITED AND ANY INFRINGEMENT THEREUPON MAY BE SUBJECT TO LEGAL ACTION.

EXPOSURE B



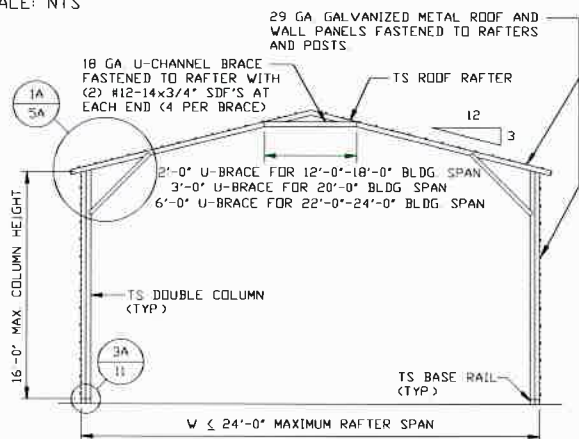
TYPICAL RAFTER/COLUMN END FRAME SECTION

SCALE: NTS



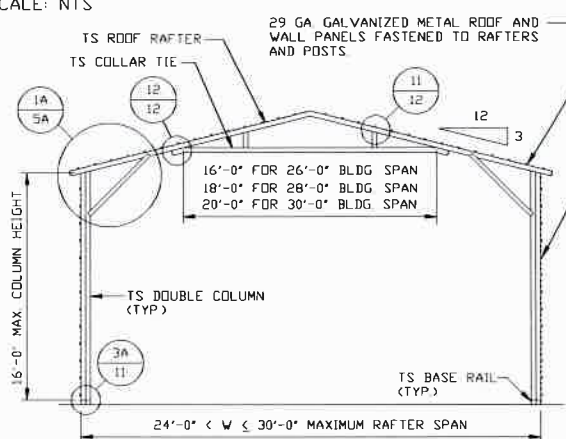
TYPICAL RAFTER/COLUMN END FRAME SECTION

SCALE: NTS



TYPICAL RAFTER/COLUMN END FRAME SECTION

SCALE: NTS



TYPICAL RAFTER/COLUMN END FRAME SECTION

SCALE: NTS

**MOORE AND ASSOCIATES
ENGINEERING AND CONSULTING, INC.**

DRAWN BY: LT

CHECKED BY: PDH

PROJECT MGR: WSH

CLIENT: EAGLE CARPORTS

EAGLE CARPORTS
210 AIRPORT ROAD
MOUNT AIRY, NC 27030
30'-0"x20'-0" SP ENCLOSED STRUCTURE

DATE: 12-23-19

SHT. 4

SCALE: NTS

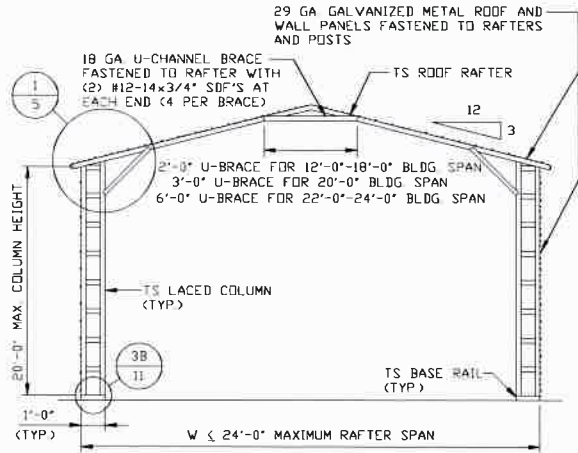
DWG. NO: SK-3

JOB NO: 16166S/
18012S/18260S/19320S

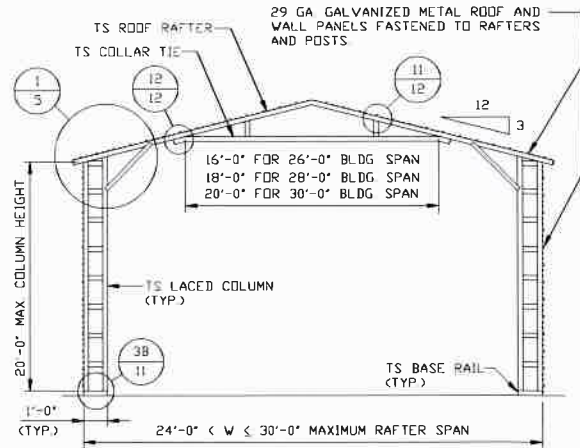
REV: 8

THIS DOCUMENT IS THE PROPERTY OF MOORE AND ASSOCIATES ENGINEERING AND CONSULTING. THE UNAUTHORIZED REPRODUCTION, COPYING, OR OTHERWISE USE OF THIS DOCUMENT IS STRICTLY PROHIBITED AND ANY INFRINGEMENT THEREUPON MAY BE SUBJECT TO LEGAL ACTION.

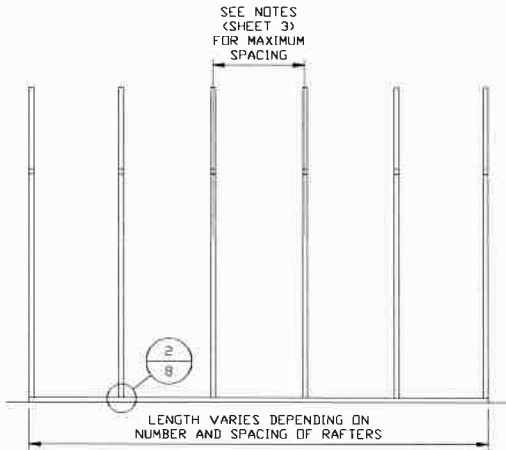
EXPOSURE B



TYPICAL RAFTER/COLUMN END FRAME SECTION
SCALE: NTS



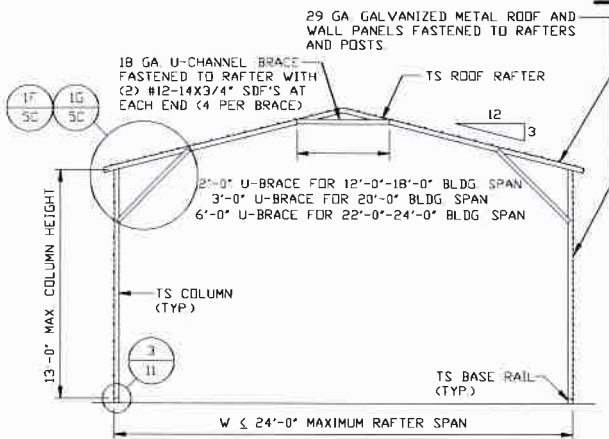
TYPICAL RAFTER/COLUMN END FRAME SECTION
SCALE: NTS



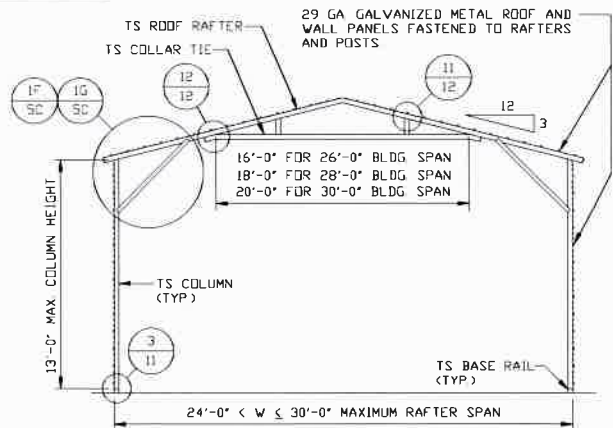
TYPICAL RAFTER/COLUMN SIDE FRAMING SECTION
SCALE: NTS

MOORE AND ASSOCIATES ENGINEERING AND CONSULTING, INC.	DRAWN BY: LT	EAGLE CARPORTS 210 AIRPORT ROAD MOUNT AIRY, NC 27030 30'-0"x20'-0" SP ENCLOSED STRUCTURE		
	CHECKED BY: PDH			
THIS DOCUMENT IS THE PROPERTY OF MOORE AND ASSOCIATES ENGINEERING AND CONSULTING. THE UNAUTHORIZED REPRODUCTION, COPYING, OR OTHERWISE USE OF THIS DOCUMENT IS STRICTLY PROHIBITED AND ANY INFRINGEMENT THEREUPON MAY BE SUBJECT TO LEGAL ACTION.	PROJECT MGR: WSM	DATE: 12-23-19	SCALE: NTS	JOB NO: 16166S/ 18012S/18260S/19320S
	CLIENT: EAGLE CARPORTS	SHT. 4A	DWG. NO SK-3	REV: 8

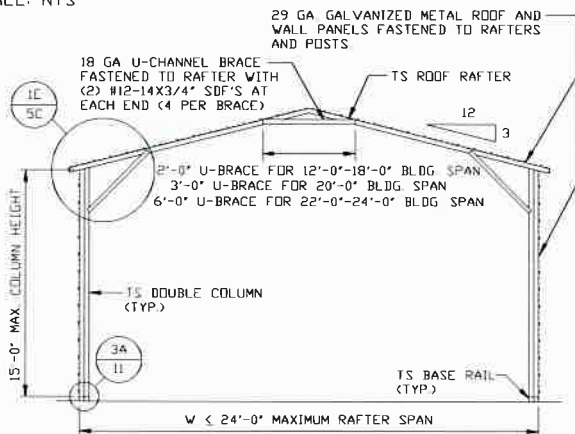
EXPOSURE C



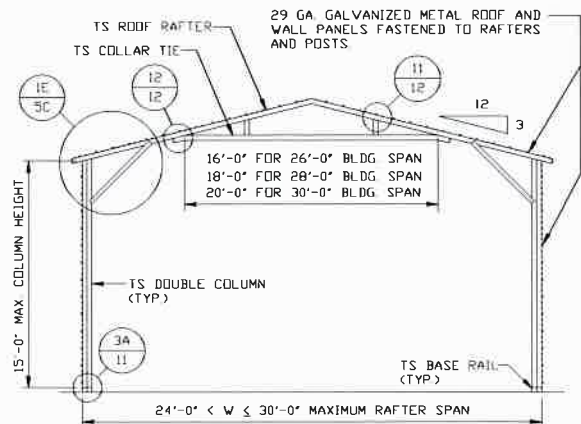
TYPICAL RAFTER/COLUMN END FRAME SECTION
SCALE: NTS



TYPICAL RAFTER/COLUMN END FRAME SECTION
SCALE: NTS



TYPICAL RAFTER/COLUMN END FRAME SECTION
SCALE: NTS



TYPICAL RAFTER/COLUMN END FRAME SECTION
SCALE: NTS

**MOORE AND ASSOCIATES
ENGINEERING AND CONSULTING, INC.**

DRAWN BY: LT

CHECKED BY: PDH

PROJECT MGR: WSM

CLIENT: EAGLE CARPORTS

**EAGLE CARPORTS
210 AIRPORT ROAD
MOUNT AIRY, NC 27030
30'-0"x20'-0" SP ENCLOSED STRUCTURE**

DATE: 12-23-19

SHT. 4B

SCALE: NTS

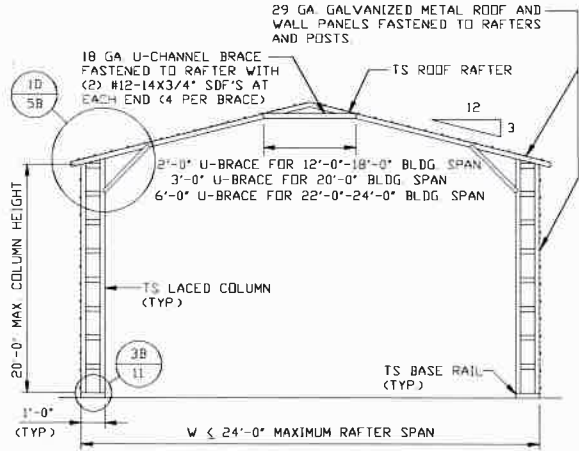
DWG. NO SK-3

**JOB NO: 16166S/
18012S/18260S/19320S**

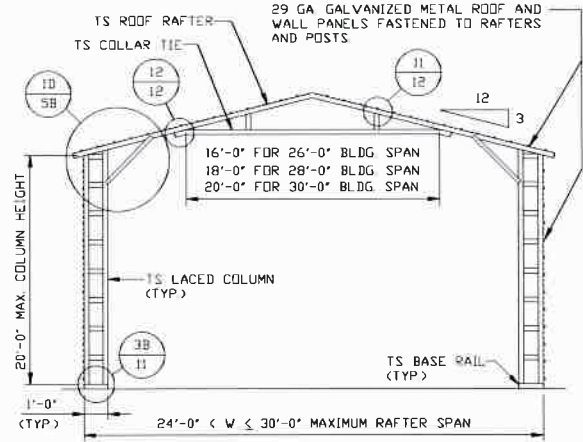
REV: 8

THIS DOCUMENT IS THE PROPERTY OF MOORE AND ASSOCIATES ENGINEERING AND CONSULTING. THE UNAUTHORIZED REPRODUCTION, COPYING, OR OTHERWISE USE OF THIS DOCUMENT IS STRICTLY PROHIBITED AND ANY INFRINGEMENT THEREUPON MAY BE SUBJECT TO LEGAL ACTION.

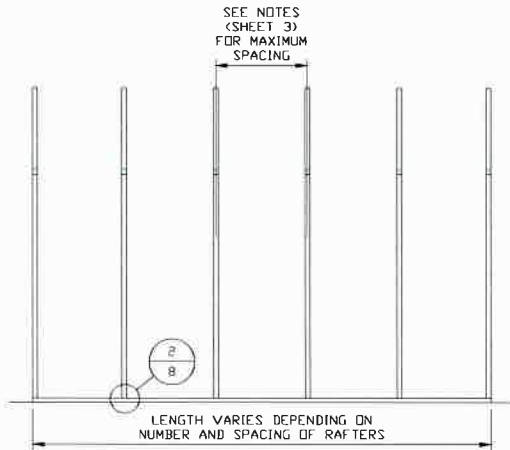
EXPOSURE C



TYPICAL RAFTER/COLUMN END FRAME SECTION
SCALE: NTS



TYPICAL RAFTER/COLUMN END FRAME SECTION
SCALE: NTS



TYPICAL RAFTER/COLUMN SIDE FRAMING SECTION
SCALE: NTS

**MOORE AND ASSOCIATES
ENGINEERING AND CONSULTING, INC.**

DRAWN BY: LT

CHECKED BY: PDH

PROJECT MGR: WSM

CLIENT: EAGLE CARPORTS

**EAGLE CARPORTS
210 AIRPORT ROAD
MOUNT AIRY, NC 27030
30'-0"x20'-0" SP ENCLOSED STRUCTURE**

DATE: 12-23-19

SHT. 4C

SCALE: NTS

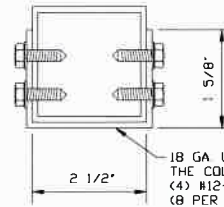
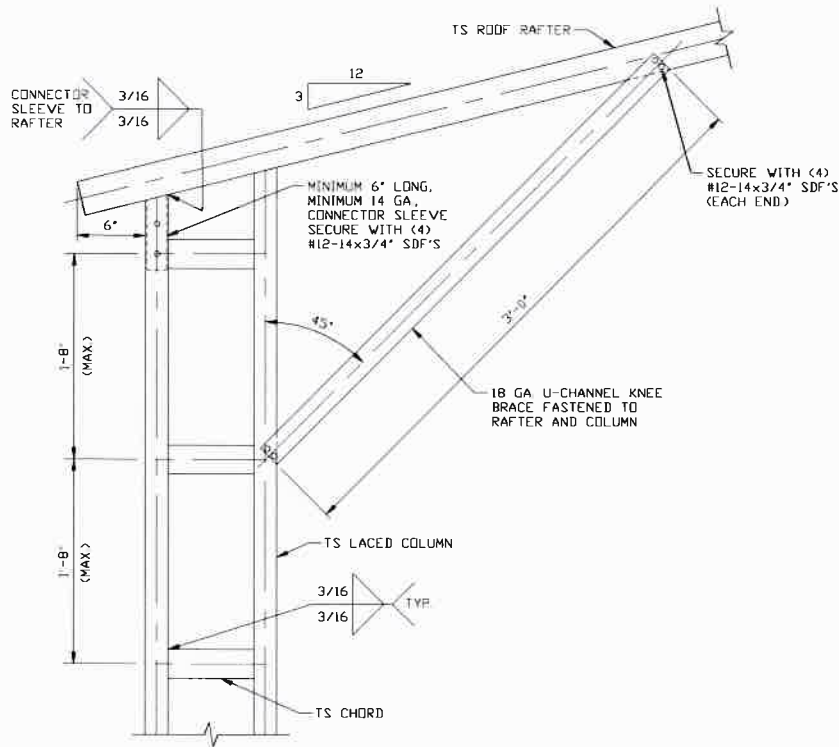
DWG. NO SK-3

**JOB NO: 16166S/
18012S/18260S/19320S**

REV: 8

THIS DOCUMENT IS THE PROPERTY OF MOORE AND ASSOCIATES ENGINEERING AND CONSULTING. THE UNAUTHORIZED REPRODUCTION, COPYING, OR OTHERWISE USE OF THIS DOCUMENT IS STRICTLY PROHIBITED AND ANY INFRINGEMENT THEREUPON MAY BE SUBJECT TO LEGAL ACTION.

EXPOSURE B



BRACE SECTION
SCALE: NTS

1 BOX EAVE RAFTER COLUMN CONNECTION
DETAIL FOR HEIGHTS 16'-0" < TO ≤ 20'-0"
SCALE: NTS

**MOORE AND ASSOCIATES
ENGINEERING AND CONSULTING, INC.**

DRAWN BY: LT

CHECKED BY: PDH

**EAGLE CARPORTS
210 AIRPORT ROAD
MOUNT AIRY, NC 27030
30'-0"x20'-0" SP ENCLOSED STRUCTURE**

THIS DOCUMENT IS THE PROPERTY OF MOORE AND ASSOCIATES ENGINEERING AND CONSULTING. THE UNAUTHORIZED REPRODUCTION, COPYING, OR OTHERWISE USE OF THIS DOCUMENT IS STRICTLY PROHIBITED AND ANY INFRINGEMENT THEREUPON MAY BE SUBJECT TO LEGAL ACTION.

PROJECT MGR: WSM

DATE: 12-23-19

SCALE: NTS

**JOB NO: 16166S/
18012S/18260S/19320S**

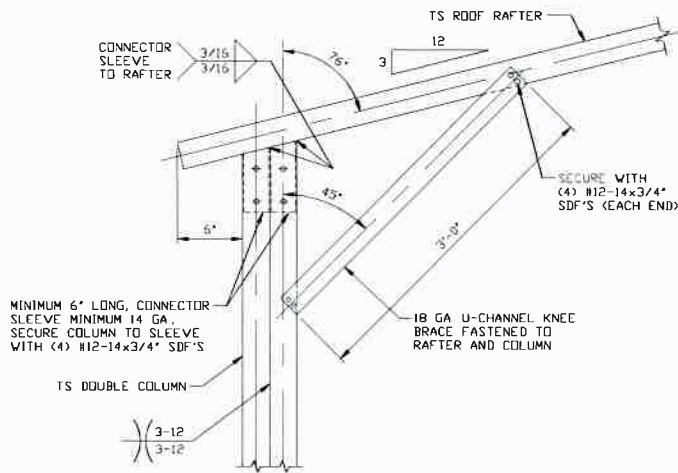
CLIENT: EAGLE CARPORTS

SHT. 5

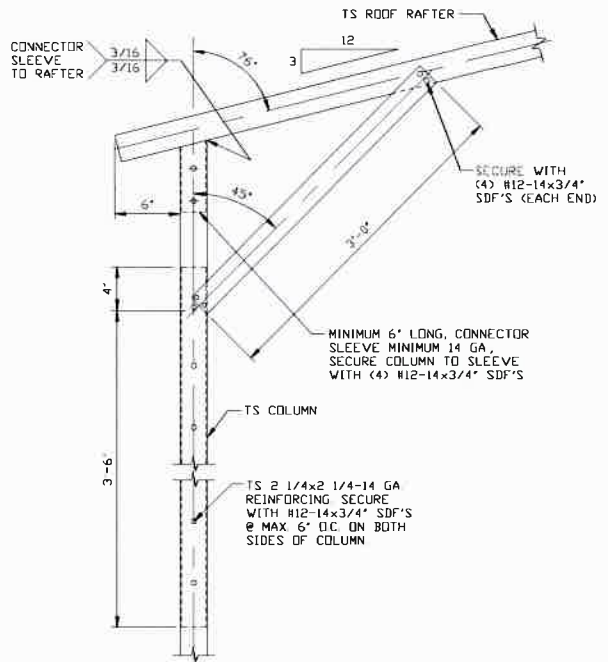
DWG. NO SK-3

REV. 8

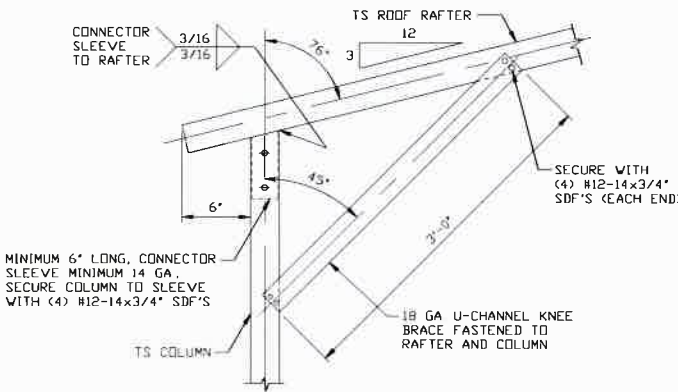
EXPOSURE B



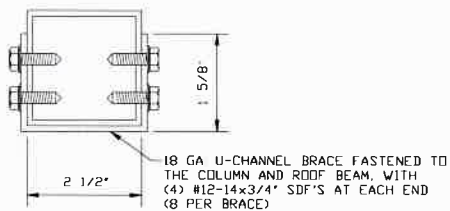
1A
BOX EAVE RAFTER COLUMN CONNECTION
DETAIL FOR HEIGHTS 15'-0" < TO <= 16'-0"
 SCALE: NTS



1B
BOX EAVE RAFTER COLUMN CONNECTION
DETAIL FOR HEIGHTS 12'-0" < TO <= 15'-0"
 SCALE: NTS



1C
BOX EAVE RAFTER COLUMN
CONNECTION DETAIL
FOR HEIGHTS <= 12'-0"
 SCALE: NTS



BRACE SECTION
 SCALE: NTS

MOORE AND ASSOCIATES
ENGINEERING AND CONSULTING, INC.

DRAWN BY: LT

CHECKED BY: PDH

PROJECT MGR: WSM

CLIENT: EAGLE CARPORTS

EAGLE CARPORTS
 210 AIRPORT ROAD
 MOUNT AIRY, NC 27030
 30'-0"x20'-0" SP ENCLOSED STRUCTURE

DATE: 12-23-19

SHT. 5A

SCALE: NTS

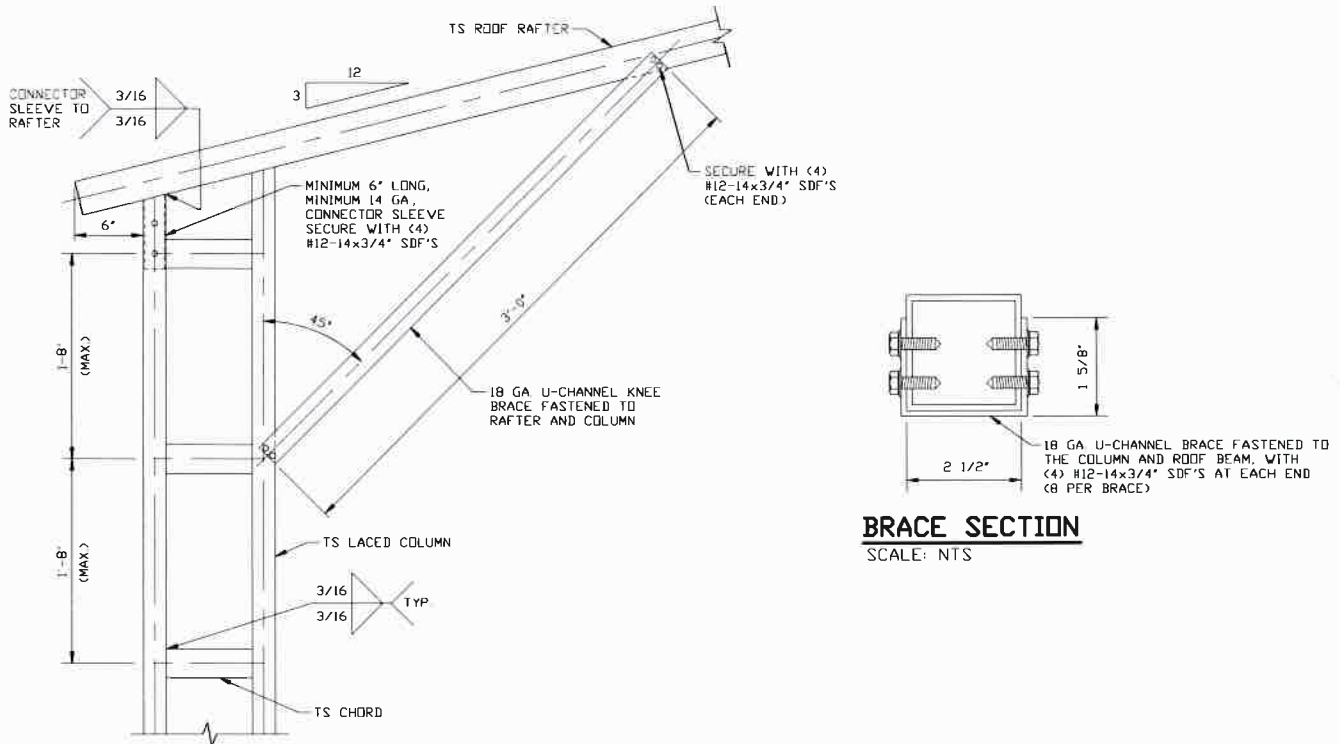
DWG. NO SK-3

**JOB NO: 16166S/
 18012S/18260S/19320S**

REV: 8

THIS DOCUMENT IS THE PROPERTY OF MOORE AND ASSOCIATES ENGINEERING AND CONSULTING. THE UNAUTHORIZED REPRODUCTION, COPYING, OR OTHERWISE USE OF THIS DOCUMENT IS STRICTLY PROHIBITED AND ANY INFRINGEMENT THEREUPON MAY BE SUBJECT TO LEGAL ACTION.

EXPOSURE C



1D BOX EAVE RAFTER COLUMN CONNECTION
 DETAIL FOR HEIGHTS 15'-0" < TO ≤ 20'-0"

SCALE: NTS

BRACE SECTION

SCALE: NTS

**MOORE AND ASSOCIATES
 ENGINEERING AND CONSULTING, INC.**

DRAWN BY: LT

CHECKED BY: PDH

PROJECT MGR: WSM

CLIENT: EAGLE CARPORTS

**EAGLE CARPORTS
 210 AIRPORT ROAD
 MOUNT AIRY, NC 27030
 30'-0"x20'-0" SP ENCLOSED STRUCTURE**

DATE: 12-23-19

SHT. 5B

SCALE: NTS

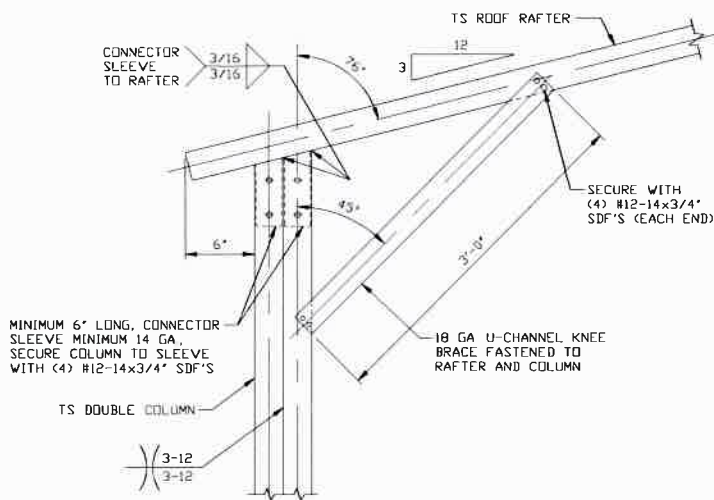
DWG. NO: SK-3

**JOB NO: 16166S/
 18012S/18260S/19320S**

REV: 8

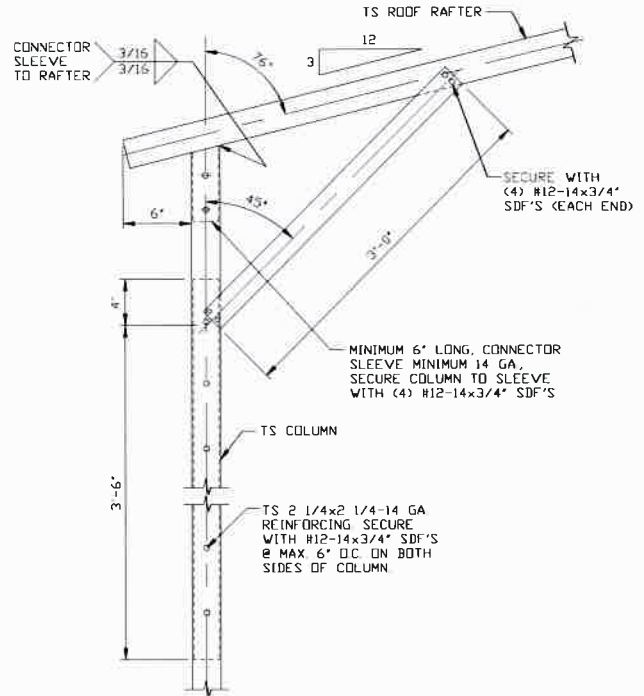
THIS DOCUMENT IS THE PROPERTY OF MOORE AND ASSOCIATES ENGINEERING AND CONSULTING. THE UNAUTHORIZED REPRODUCTION, COPYING, OR OTHERWISE USE OF THIS DOCUMENT IS STRICTLY PROHIBITED AND ANY INFRINGEMENT THEREUPON MAY BE SUBJECT TO LEGAL ACTION.

EXPOSURE C



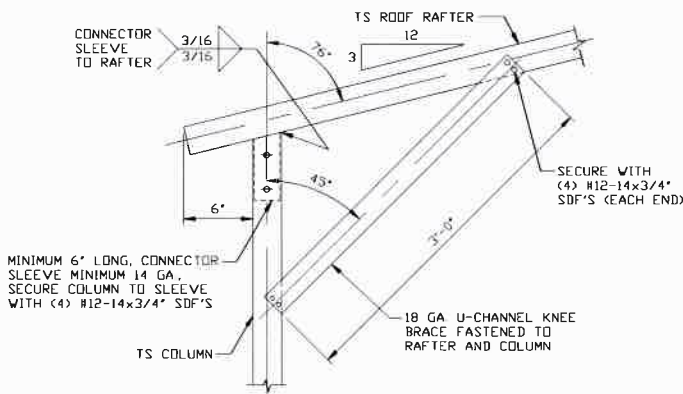
1E

BOX EAVE RAFTER COLUMN CONNECTION DETAIL FOR HEIGHTS 13'-0" < TO <= 15'-0"
SCALE: NTS



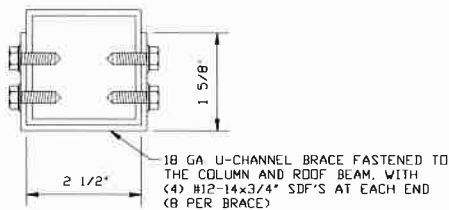
1F

BOX EAVE RAFTER COLUMN CONNECTION DETAIL FOR HEIGHTS 9'-0" < TO <= 13'-0"
SCALE: NTS



1G

BOX EAVE RAFTER COLUMN CONNECTION DETAIL FOR HEIGHTS <= 9'-0"
SCALE: NTS



BRACE SECTION

SCALE: NTS

**MOORE AND ASSOCIATES
ENGINEERING AND CONSULTING, INC.**

DRAWN BY: LT

CHECKED BY: PDH

PROJECT MGR: WSM

CLIENT: EAGLE CARPORTS

**EAGLE CARPORTS
210 AIRPORT ROAD
MOUNT AIRY, NC 27030
30'-0"x20'-0" SP ENCLOSED STRUCTURE**

DATE: 12-23-19

SHT. 5C

SCALE: NTS

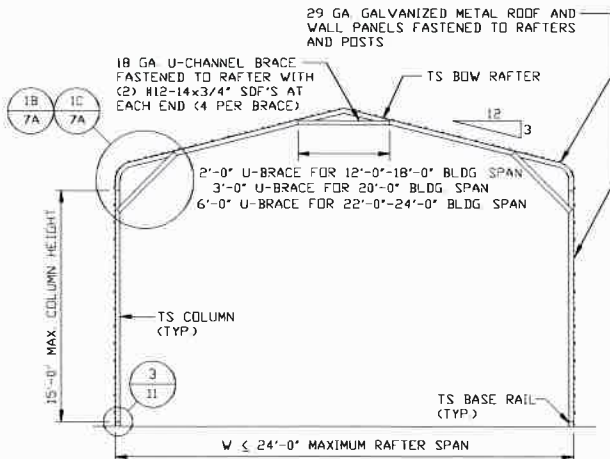
DWG. NO: SK-3

**JOB NO: 16166S/
18012S/18260S/19320S**

REV: 8

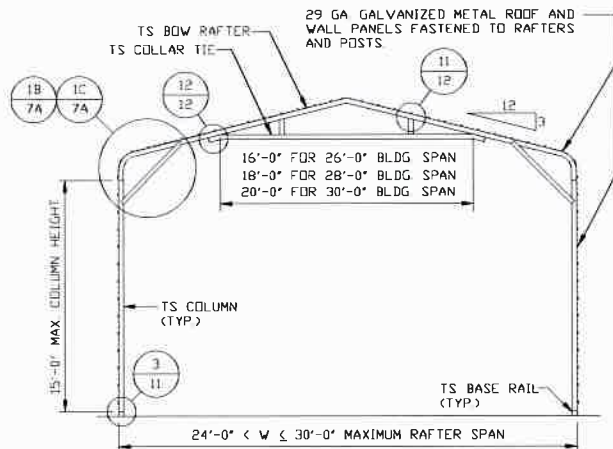
THIS DOCUMENT IS THE PROPERTY OF MOORE AND ASSOCIATES ENGINEERING AND CONSULTING. THE UNAUTHORIZED REPRODUCTION, COPYING, OR OTHERWISE USE OF THIS DOCUMENT IS STRICTLY PROHIBITED AND ANY INFRINGEMENT THEREUPON MAY BE SUBJECT TO LEGAL ACTION.

EXPOSURE B



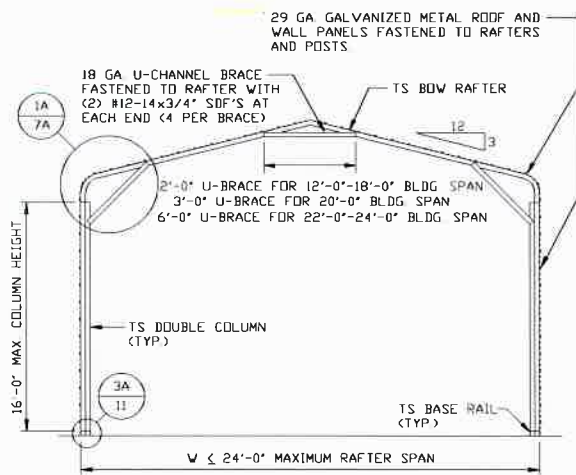
TYPICAL RAFTER/COLUMN END FRAME SECTION

SCALE: NTS



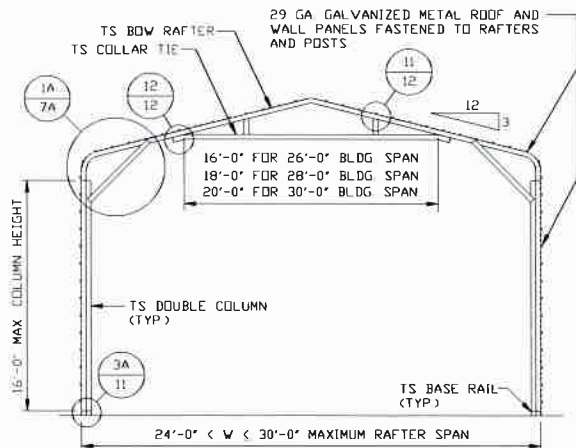
TYPICAL RAFTER/COLUMN END FRAME SECTION

SCALE: NTS



TYPICAL RAFTER/COLUMN END FRAME SECTION

SCALE: NTS



TYPICAL RAFTER/COLUMN END FRAME SECTION

SCALE: NTS

**MOORE AND ASSOCIATES
ENGINEERING AND CONSULTING, INC.**

DRAWN BY: LT

CHECKED BY: PDH

PROJECT MGR: WSM

CLIENT: EAGLE CARPORTS

**EAGLE CARPORTS
210 AIRPORT ROAD
MOUNT AIRY, NC 27030
30'-0"x20'-0" SP ENCLOSED STRUCTURE**

DATE: 12-23-19

SHT. 6

SCALE: NTS

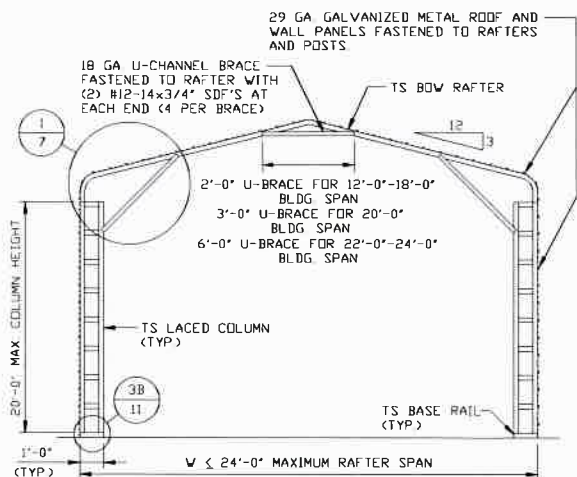
DWG. NO SK-3

**JOB NO: 16166S/
18012S/18260S/19320S**

REV: 8

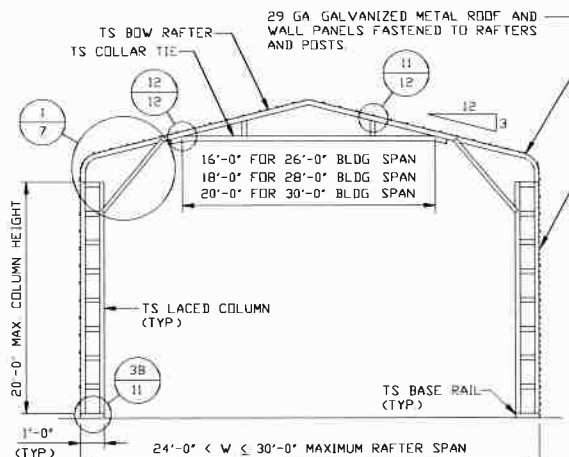
THIS DOCUMENT IS THE PROPERTY OF MOORE AND ASSOCIATES ENGINEERING AND CONSULTING. THE UNAUTHORIZED REPRODUCTION, COPYING, OR OTHERWISE USE OF THIS DOCUMENT IS STRICTLY PROHIBITED AND ANY INFRINGEMENT THEREUPON MAY BE SUBJECT TO LEGAL ACTION.

EXPOSURE B



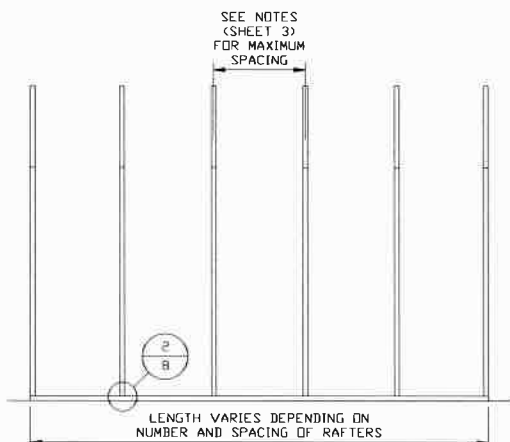
TYPICAL RAFTER/COLUMN END FRAME SECTION

SCALE: NTS



TYPICAL RAFTER/COLUMN END FRAME SECTION

SCALE: NTS



TYPICAL RAFTER/COLUMN FRAMING SIDE SECTION

SCALE: NTS

**MOORE AND ASSOCIATES
ENGINEERING AND CONSULTING, INC.**

DRAWN BY: LT

CHECKED BY: PDH

PROJECT MGR: WSM

CLIENT: EAGLE CARPORTS

**EAGLE CARPORTS
210 AIRPORT ROAD
MOUNT AIRY, NC 27030
30'-0"x20'-0" SP ENCLOSED STRUCTURE**

DATE: 12-23-19

SHT. 6A

SCALE: NTS

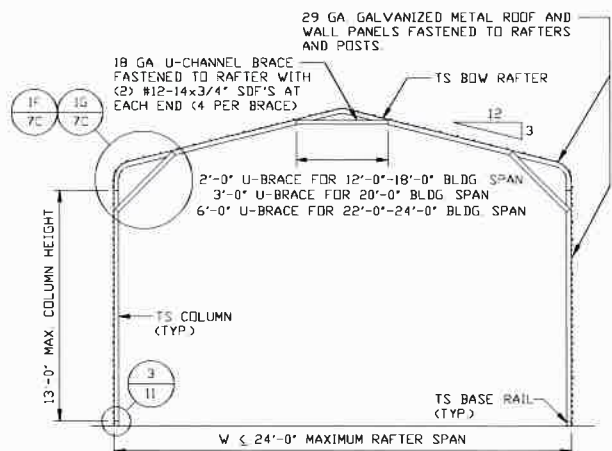
DWG. NO: SK-3

**JOB NO: 16166S/
18012S/18260S/19320S**

REV: 8

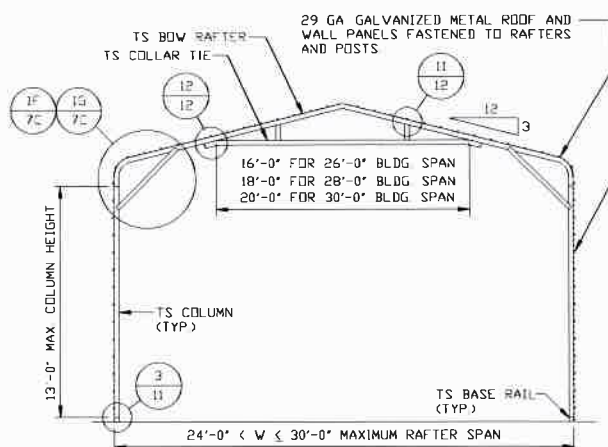
THIS DOCUMENT IS THE PROPERTY OF MOORE AND ASSOCIATES ENGINEERING AND CONSULTING. THE UNAUTHORIZED REPRODUCTION, COPYING, OR OTHERWISE USE OF THIS DOCUMENT IS STRICTLY PROHIBITED AND ANY INFRINGEMENT THEREUPON MAY BE SUBJECT TO LEGAL ACTION.

EXPOSURE C



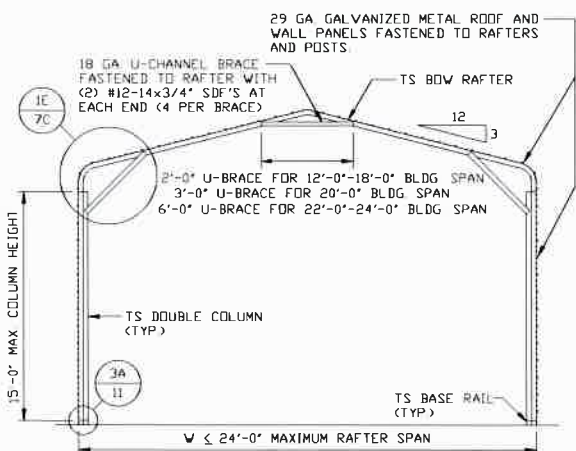
TYPICAL RAFTER/COLUMN END FRAME SECTION

SCALE: NTS



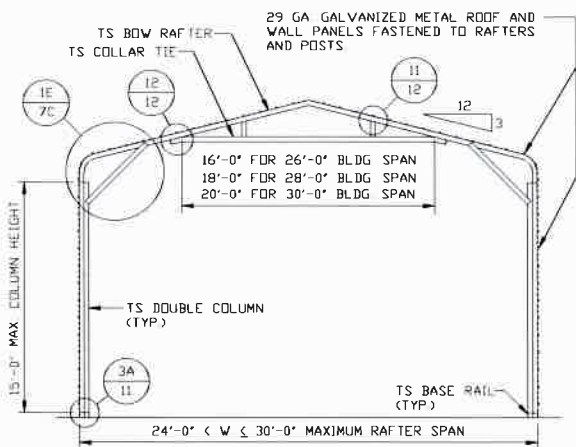
TYPICAL RAFTER/COLUMN END FRAME SECTION

SCALE: NTS



TYPICAL RAFTER/COLUMN END FRAME SECTION

SCALE: NTS



TYPICAL RAFTER/COLUMN END FRAME SECTION

SCALE: NTS

**MOORE AND ASSOCIATES
ENGINEERING AND CONSULTING, INC.**

DRAWN BY: LT

CHECKED BY: PDH

PROJECT MGR: WSM

CLIENT: EAGLE CARPORTS

**EAGLE CARPORTS
210 AIRPORT ROAD
MOUNT AIRY, NC 27030
30'-0"x20'-0" SP ENCLOSED STRUCTURE**

DATE: 12-23-19

SHT. 68

SCALE: NTS

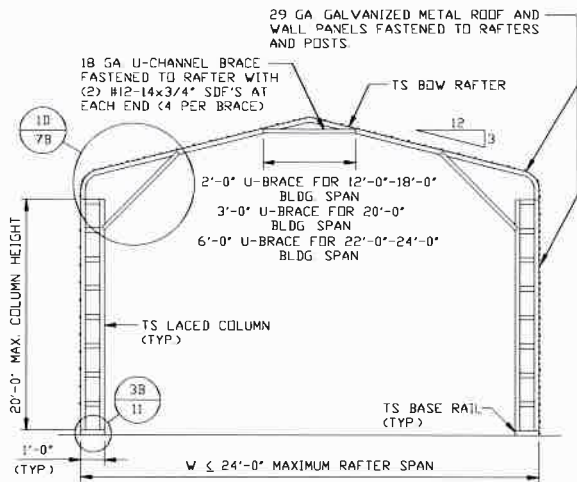
DWG. NO: SK-3

**JOB NO: 16166S/
18012S/18260S/19320S**

REV: 8

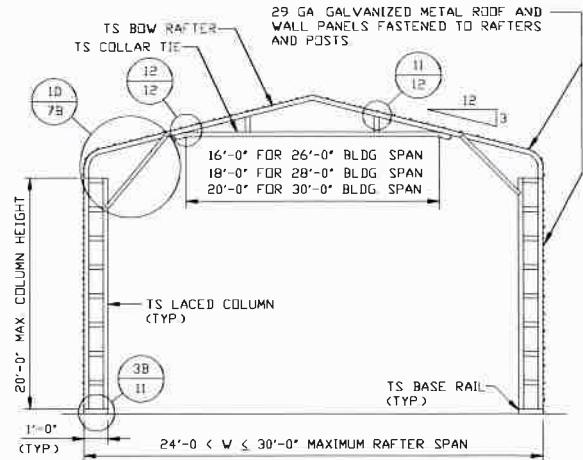
THIS DOCUMENT IS THE PROPERTY OF MOORE AND ASSOCIATES ENGINEERING AND CONSULTING. THE UNAUTHORIZED REPRODUCTION, COPYING, OR OTHERWISE USE OF THIS DOCUMENT IS STRICTLY PROHIBITED AND ANY INFRINGEMENT THEREUPON MAY BE SUBJECT TO LEGAL ACTION.

EXPOSURE C



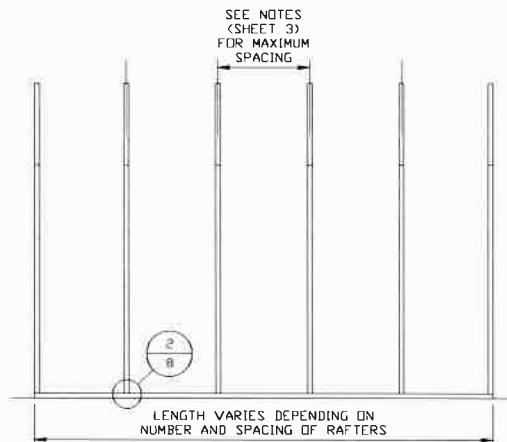
TYPICAL RAFTER/COLUMN END FRAME SECTION

SCALE: NTS



TYPICAL RAFTER/COLUMN END FRAME SECTION

SCALE: NTS



TYPICAL RAFTER/COLUMN FRAMING SIDE SECTION

SCALE: NTS

**MOORE AND ASSOCIATES
ENGINEERING AND CONSULTING, INC.**

DRAWN BY: LT
CHECKED BY: PDH
PROJECT MGR: WSM
CLIENT: EAGLE CARPORTS

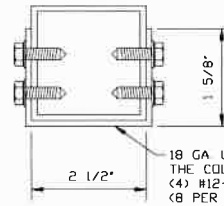
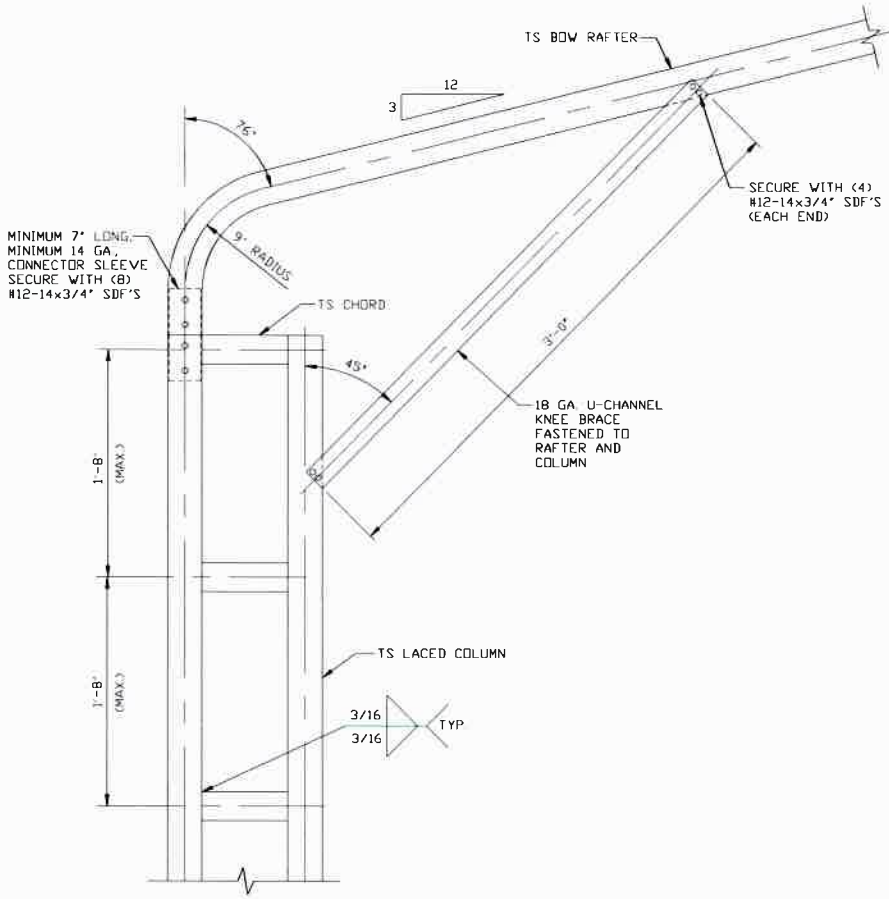
EAGLE CARPORTS
210 AIRPORT ROAD
MOUNT AIRY, NC 27030
30'-0"x20'-0" SP ENCLOSED STRUCTURE

DATE: 12-23-19
SHT. 6C
DWG. NO.: SK-3

SCALE: NTS
JOB NO.: 16166S/
18012S/18260S/19320S
REV.: 8

THIS DOCUMENT IS THE PROPERTY OF MOORE AND ASSOCIATES ENGINEERING AND CONSULTING. THE UNAUTHORIZED REPRODUCTION, COPYING, OR OTHERWISE USE OF THIS DOCUMENT IS STRICTLY PROHIBITED AND ANY INFRINGEMENT THEREUPON MAY BE SUBJECT TO LEGAL ACTION.

EXPOSURE B



BRACE SECTION

SCALE: NTS

1 BOW RAFTER COLUMN CONNECTION DETAIL
FOR HEIGHTS 16'-0" < TO ≤ 20'-0"
SCALE: NTS

**MOORE AND ASSOCIATES
ENGINEERING AND CONSULTING, INC.**

DRAWN BY: LT

CHECKED BY: PDH

PROJECT MGR: WSM

CLIENT: EAGLE CARPORTS

**EAGLE CARPORTS
210 AIRPORT ROAD
MOUNT AIRY, NC 27030
30'-0"x20'-0" SP ENCLOSED STRUCTURE**

DATE: 12-23-19

SHT. 7

SCALE: NTS

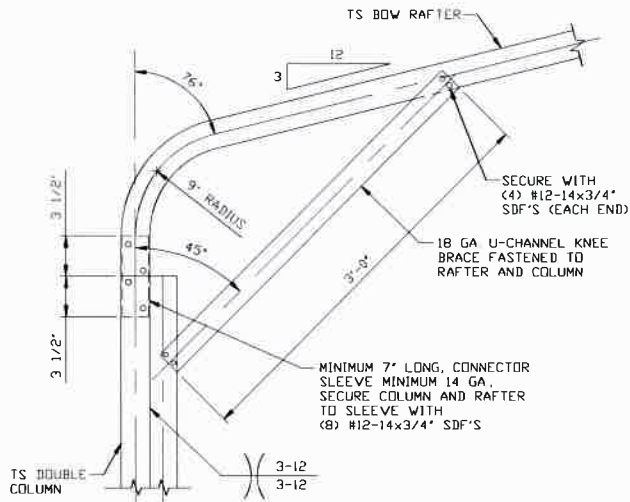
DWG. NO: SK-3

**JOB NO: 16166S/
18012S/18260S/19320S**

REV: 8

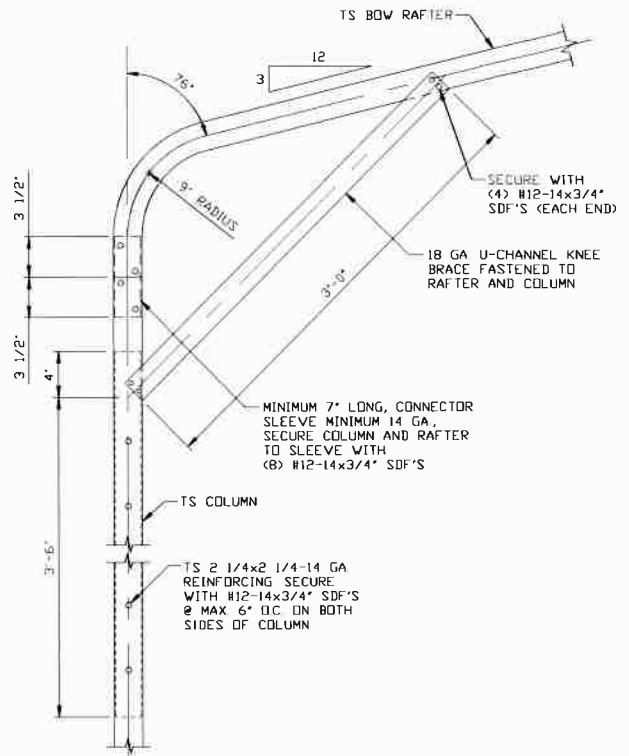
THIS DOCUMENT IS THE PROPERTY OF MOORE AND ASSOCIATES ENGINEERING AND CONSULTING. THE UNAUTHORIZED REPRODUCTION, COPYING, OR OTHERWISE USE OF THIS DOCUMENT IS STRICTLY PROHIBITED AND ANY INFRINGEMENT THEREUPON MAY BE SUBJECT TO LEGAL ACTION.

EXPOSURE B



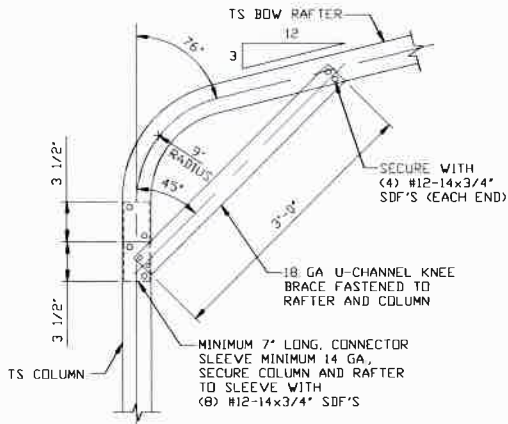
1A

BOW EAVE RAFTER COLUMN CONNECTION DETAIL FOR HEIGHTS 15'-0" < TO ≤ 16'-0"
SCALE: NTS



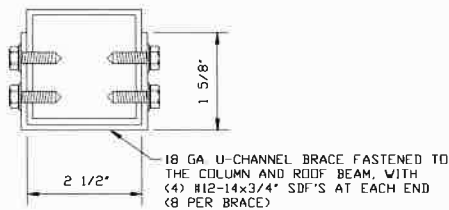
1B

BOW EAVE RAFTER COLUMN CONNECTION DETAIL FOR HEIGHTS 12'-0" < TO ≤ 15'-0"
SCALE: NTS



1C

BOW EAVE RAFTER COLUMN CONNECTION DETAIL FOR HEIGHTS ≤ 12'-0"
SCALE: NTS



BRACE SECTION
SCALE: NTS

**MOORE AND ASSOCIATES
ENGINEERING AND CONSULTING, INC.**

DRAWN BY: LT

CHECKED BY: PDH

PROJECT MGR: WSM

CLIENT: EAGLE CARPORTS

EAGLE CARPORTS
210 AIRPORT ROAD
MOUNT AIRY, NC 27030
30'-0"x20'-0" SP ENCLOSED STRUCTURE

DATE: 12-23-19

SHT. 7A

SCALE: NTS

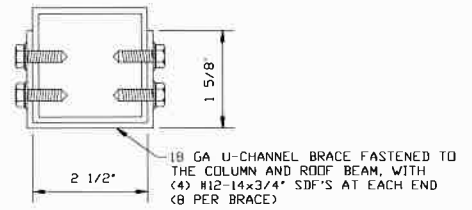
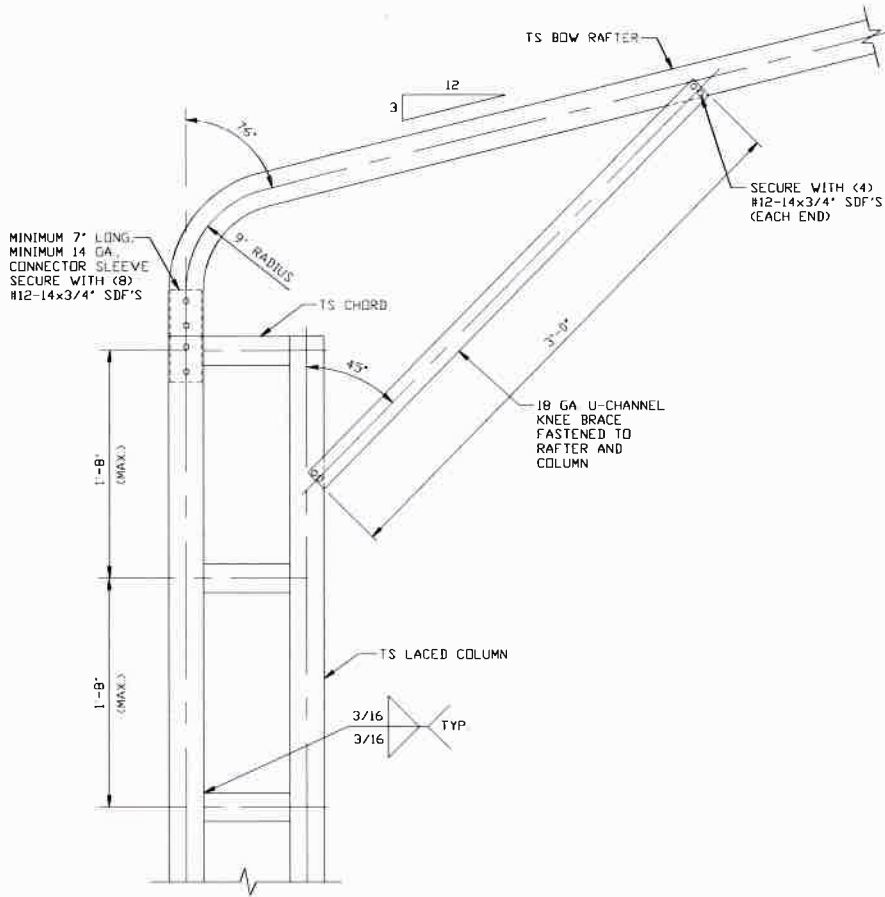
DWG. NO SK-3

JOB NO: 16166S/
18012S/18260S/19320S

REV: 8

THIS DOCUMENT IS THE PROPERTY OF MOORE AND ASSOCIATES ENGINEERING AND CONSULTING. THE UNAUTHORIZED REPRODUCTION, COPYING, OR OTHERWISE USE OF THIS DOCUMENT IS STRICTLY PROHIBITED AND ANY INFRINGEMENT THEREUPON MAY BE SUBJECT TO LEGAL ACTION.

EXPOSURE C



BRACE SECTION

SCALE: NTS

1D **BOW EAVE RAFTER COLUMN CONNECTION**
DETAIL FOR HEIGHTS 15'-0" < TO ≤ 20'-0"
 SCALE: NTS

MOORE AND ASSOCIATES
ENGINEERING AND CONSULTING, INC.

DRAWN BY: LT

CHECKED BY: PDH

PROJECT MGR: WSM

CLIENT: EAGLE CARPORTS

EAGLE CARPORTS
 210 AIRPORT ROAD
 MOUNT AIRY, NC 27030
 30'-0"x20'-0" SP ENCLOSED STRUCTURE

DATE: 12-23-19

SHT. 7B

SCALE: NTS

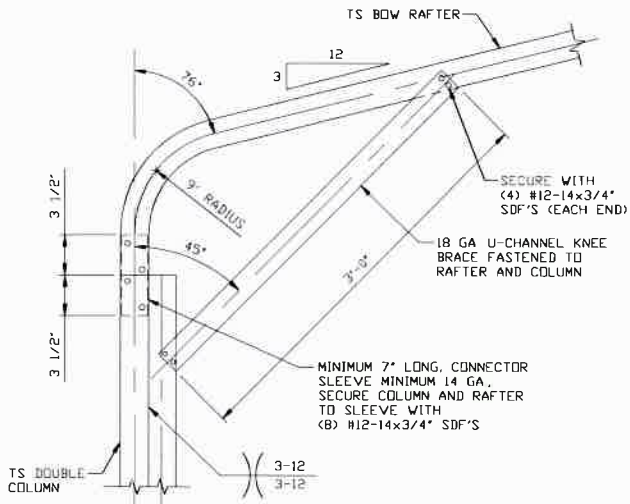
DWG. NO. SK-3

**JOB NO: 16166S/
 18012S/18260S/19320S**

REV: 8

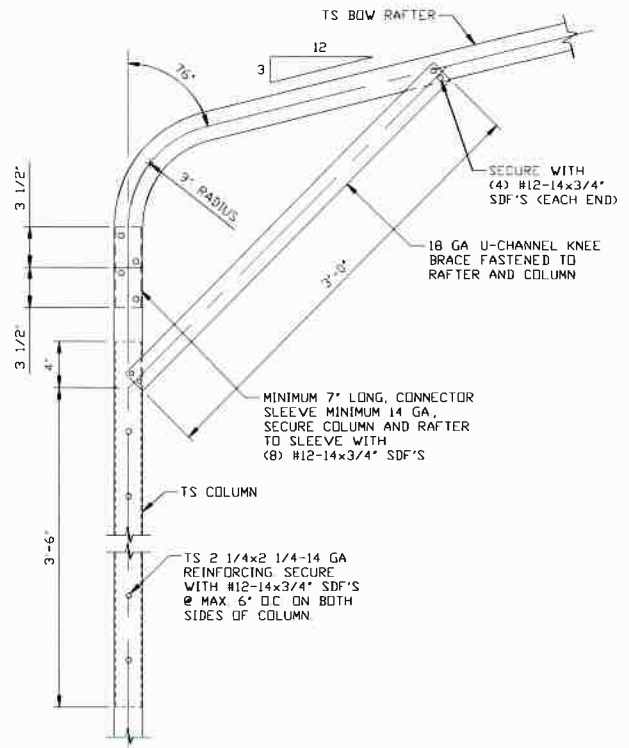
THIS DOCUMENT IS THE PROPERTY OF MOORE AND ASSOCIATES ENGINEERING AND CONSULTING. THE UNAUTHORIZED REPRODUCTION, COPYING, OR OTHERWISE USE OF THIS DOCUMENT IS STRICTLY PROHIBITED AND ANY INFRINGEMENT THEREUPON MAY BE SUBJECT TO LEGAL ACTION.

EXPOSURE C



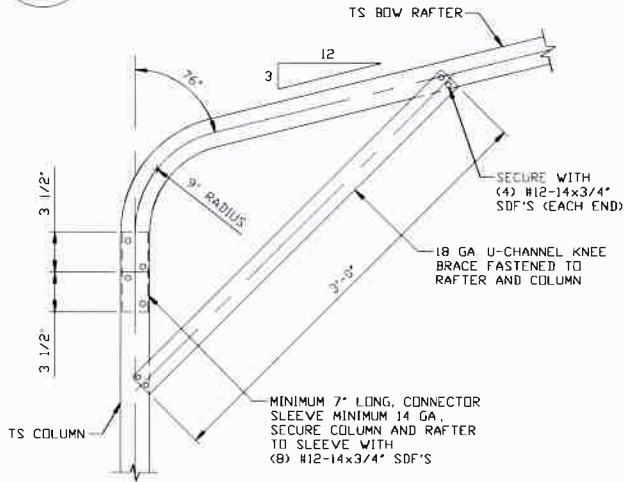
BOW EAVE RAFTER COLUMN CONNECTION DETAIL FOR HEIGHTS 13'-0" < TO <= 15'-0"

1E SCALE: NTS



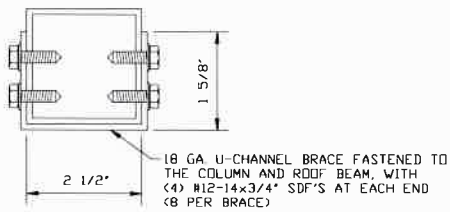
BOW EAVE RAFTER COLUMN CONNECTION DETAIL FOR HEIGHTS 9'-0" < TO <= 13'-0"

1F SCALE: NTS



BOW EAVE RAFTER COLUMN CONNECTION DETAIL FOR HEIGHTS <= 9'-0"

1G SCALE: NTS



BRACE SECTION
SCALE: NTS

**MOORE AND ASSOCIATES
ENGINEERING AND CONSULTING, INC.**

DRAWN BY: LT

CHECKED BY: PDH

PROJECT MGR: WSH

CLIENT: EAGLE CARPORTS

EAGLE CARPORTS
210 AIRPORT ROAD
MOUNT AIRY, NC 27030
30'-0"x20'-0" SP ENCLOSED STRUCTURE

DATE: 12-23-19

SHT. 7C

SCALE: NTS

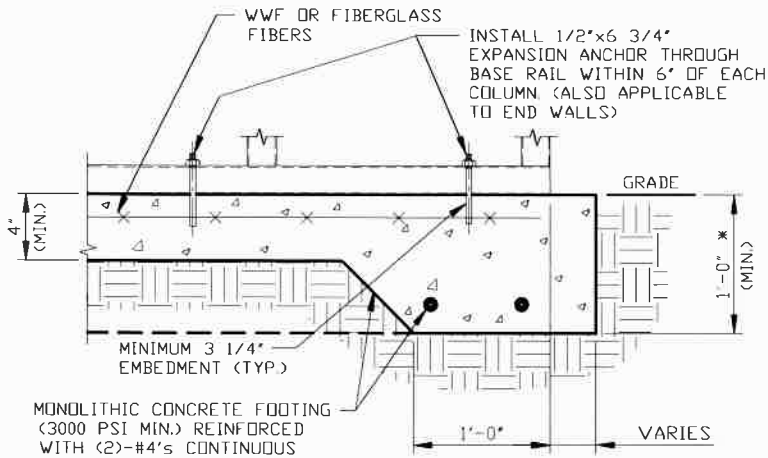
DWG. NO: SK-3

JOB NO: 16166S/
18012S/18260S/19320S

REV: 8

THIS DOCUMENT IS THE PROPERTY OF MOORE AND ASSOCIATES ENGINEERING AND CONSULTING. THE UNAUTHORIZED REPRODUCTION, COPYING, OR OTHERWISE USE OF THIS DOCUMENT IS STRICTLY PROHIBITED AND ANY INFRINGEMENT THEREUPON MAY BE SUBJECT TO LEGAL ACTION.

BASE RAIL ANCHORAGE OPTIONS

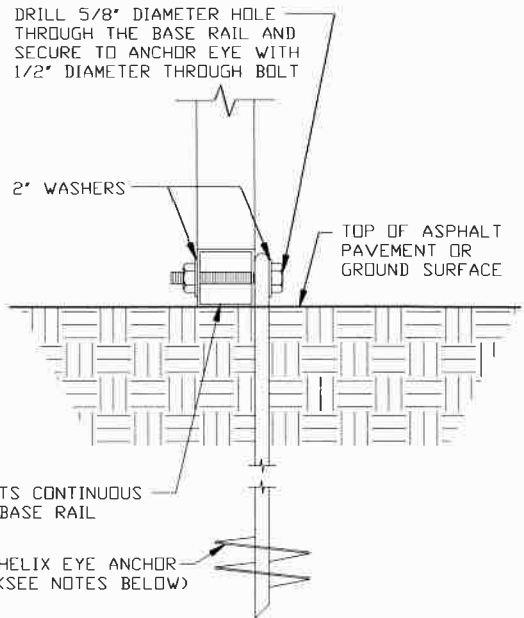


2A

CONCRETE MONOLITHIC SLAB BASE RAIL ANCHORAGE

SCALE: NTS
MINIMUM ANCHOR EDGE DISTANCE IS 4"

* COORDINATE WITH LOCAL BUILDING CODE AND/OR BUILDING OFFICIAL REGARDING REQUIRED FOOTING DEPTH.



2B

GROUND BASE HELIX ANCHORAGE

SCALE: NTS (CAN BE USED FOR ASPHALT)

GENERAL NOTES

NOTE: CONCRETE MONOLITHIC SLAB DESIGN BASED ON MINIMUM SOIL BEARING CAPACITY OF 1,500 PSF.

CONCRETE:

CONCRETE SHALL HAVE A MINIMUM SPECIFIED COMPRESSIVE STRENGTH OF 3,000 PSI AT 28 DAYS

COVER OVER REINFORCING STEEL:

FOR FOUNDATIONS, MINIMUM CONCRETE COVER OVER REINFORCING BARS SHALL BE PER ACI-318:
3" IN FOUNDATIONS WHERE THE CONCRETE IS CAST AGAINST AND PERMANENTLY IN CONTACT WITH THE EARTH OR EXPOSED TO THE EARTH OR WEATHER, AND 1 1/2" ELSEWHERE.

REINFORCING STEEL:

THE TURNDOWN REINFORCING STEEL SHALL BE ASTM A615 GRADE 60. THE SLAB REINFORCEMENT SHALL BE WELDED WIRE FABRIC MEETING ASTM A185 OR FIBERGLASS FIBER REINFORCEMENT.

REINFORCEMENT MAY BE BENT IN THE SHOP OR THE FIELD PROVIDED:

1. REINFORCEMENT IS BENT COLD
2. THE DIAMETER OF THE BEND, MEASURED ON THE INSIDE OF THE BAR, IS NOT LESS THAN SIX-BAR DIAMETERS
3. REINFORCEMENT PARTIALLY EMBEDDED IN CONCRETE SHALL NOT BE FIELD BENT.

HELIX ANCHOR NOTES:

1. FOR VERY DENSE AND/OR CEMENTED SANDS, COARSE GRAVEL AND COBBLES, CALICHE, PRELOADED SILTS AND CLAYS, USE MINIMUM (2) 4" HELICES WITH MINIMUM 30' EMBEDMENT OR SINGLE 6" HELIX WITH MINIMUM 50' EMBEDMENT
2. FOR CORAL USE MINIMUM (2) 4" HELICES WITH MINIMUM 30' EMBEDMENT OR SINGLE 6" HELIX WITH MINIMUM 50' EMBEDMENT
3. FOR MEDIUM DENSE COARSE SANDS, SANDY GRAVELS, VERY STIFF SILTS, AND CLAYS USE MINIMUM (2) 4" HELICES WITH MINIMUM 30 INCH EMBEDMENT OR SINGLE 6" HELIX WITH MINIMUM 50' EMBEDMENT.
4. FOR LOOSE TO MEDIUM DENSE SANDS, FIRM TO STIFF CLAYS AND SILTS ALLUVIAL FILL, USE MINIMUM (2) 6" HELICES WITH MINIMUM 50' EMBEDMENT
5. FOR VERY LOSE TO MEDIUM DENSE SANDS, FIRM TO STIFFER CLAYS AND SILTS, ALLUVIAL FILL, USE MINIMUM (2) 8" HELICES WITH MINIMUM 60' EMBEDMENT.

**MOORE AND ASSOCIATES
ENGINEERING AND CONSULTING, INC.**

DRAWN BY: LT

CHECKED BY: PDH

PROJECT MGR: WSM

CLIENT: EAGLE CARPORTS

EAGLE CARPORTS
210 AIRPORT ROAD
MOUNT AIRY, NC 27030
30'-0"x20'-0" SP ENCLOSED STRUCTURE

DATE: 12-23-19

SHT. 8

SCALE: NTS

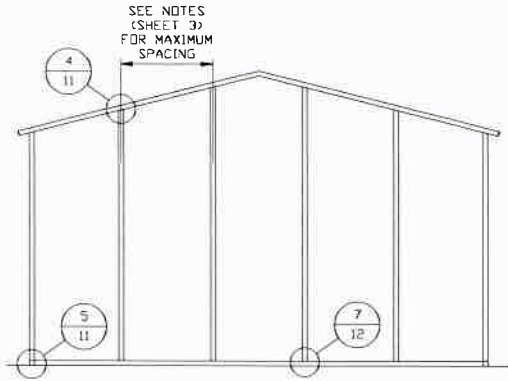
DWG. NO: SK-3

JOB NO: 16166S/
18012S/18260S/19320S

REV: 8

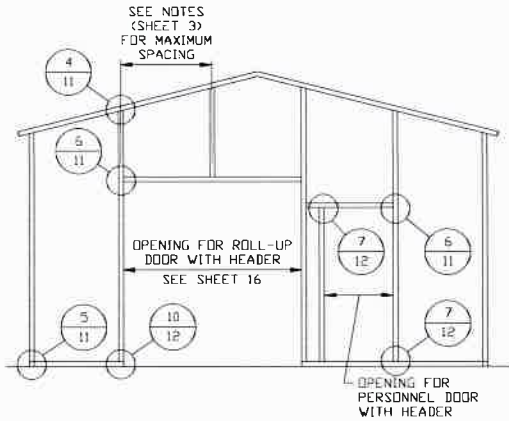
THIS DOCUMENT IS THE PROPERTY OF MOORE AND ASSOCIATES ENGINEERING AND CONSULTING. THE UNAUTHORIZED REPRODUCTION, COPYING, OR OTHERWISE USE OF THIS DOCUMENT IS STRICTLY PROHIBITED AND ANY INFRINGEMENT THEREUPON MAY BE SUBJECT TO LEGAL ACTION.

BOX EAVE RAFTER END WALL AND SIDE WALL OPENINGS



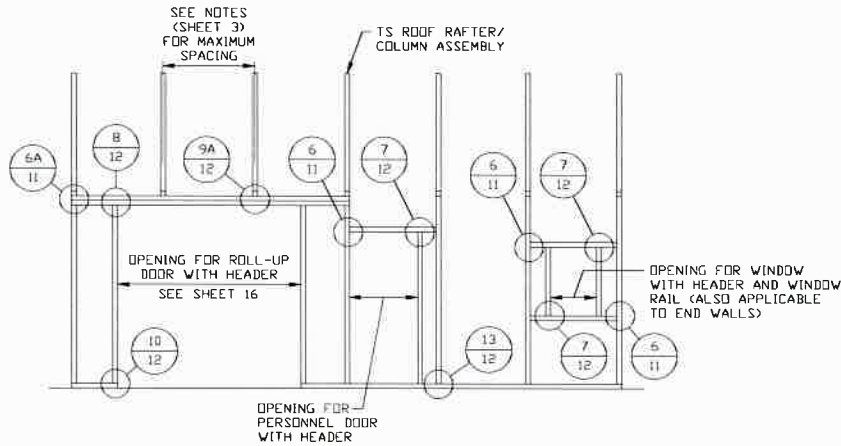
**TYPICAL BOX EAVE RAFTER
END WALL FRAMING SECTION**

SCALE: NTS



**TYPICAL BOX EAVE RAFTER END
WALL OPENINGS FRAMING SECTION**

SCALE: NTS



**TYPICAL BOX EAVE RAFTER
SIDE WALL OPENINGS FRAMING SECTION**

SCALE: NTS

**MOORE AND ASSOCIATES
ENGINEERING AND CONSULTING, INC.**

DRAWN BY: LT

CHECKED BY: PDH

PROJECT MGR: WSM

CLIENT: EAGLE CARPORTS

**EAGLE CARPORTS
210 AIRPORT ROAD
MOUNT AIRY, NC 27030
30'-0" x 20'-0" SP ENCLOSED STRUCTURE**

DATE: 12-23-19

SHT. 9

SCALE: NTS

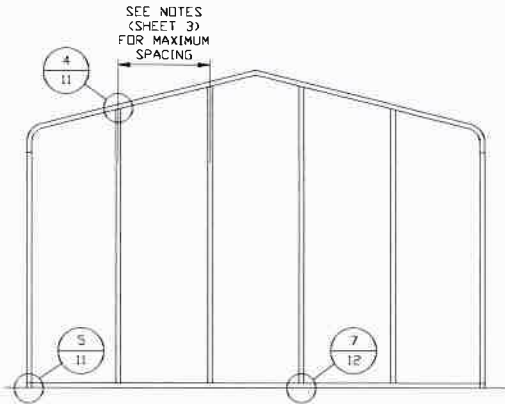
DWG. NO: SK-3

**JOB NO: 16166S/
18012S/18260S/19320S**

REV: 0

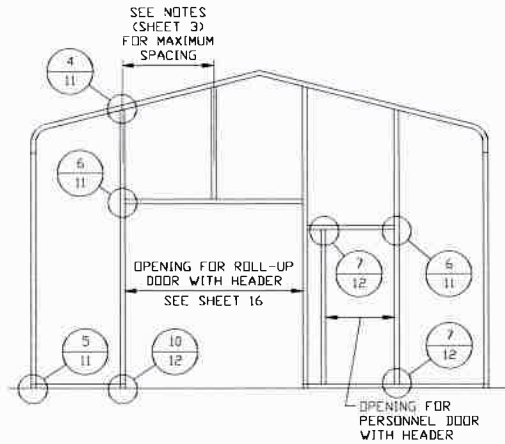
THIS DOCUMENT IS THE PROPERTY OF MOORE AND ASSOCIATES ENGINEERING AND CONSULTING. THE UNAUTHORIZED REPRODUCTION, COPYING, OR OTHERWISE USE OF THIS DOCUMENT IS STRICTLY PROHIBITED AND ANY INFRINGEMENT THEREUPON MAY BE SUBJECT TO LEGAL ACTION.

BOW RAFTER END WALL AND SIDE WALL OPENINGS



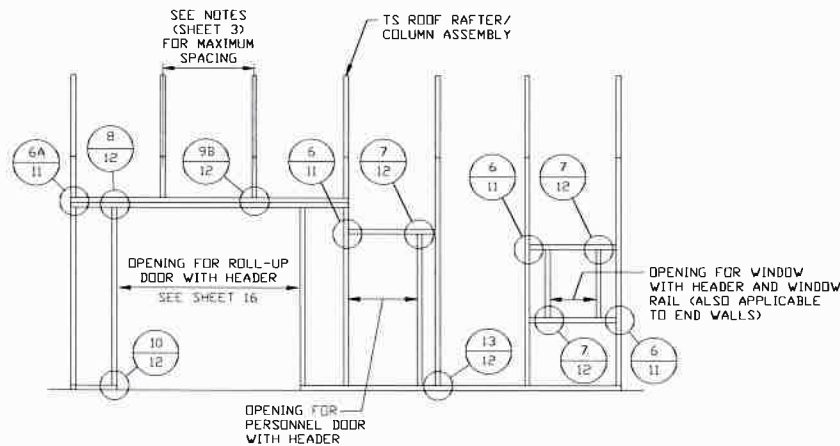
**TYPICAL BOW RAFTER
END WALL FRAMING SECTION**

SCALE: NTS



**TYPICAL BOW RAFTER END
WALL OPENINGS FRAMING SECTION**

SCALE: NTS



**TYPICAL BOW RAFTER SIDE
WALL OPENINGS FRAMING SECTION**

SCALE: NTS

**MOORE AND ASSOCIATES
ENGINEERING AND CONSULTING, INC.**

DRAWN BY: LT

CHECKED BY: PDH

PROJECT MGR: WSM

CLIENT: EAGLE CARPORTS

**EAGLE CARPORTS
210 AIRPORT ROAD
MOUNT AIRY, NC 27030
30'-0" x 20'-0" SP ENCLOSED STRUCTURE**

DATE: 12-23-19

SHT. 10

SCALE: NTS

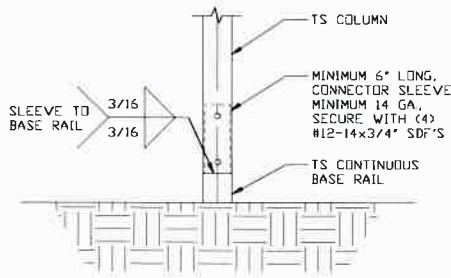
DWG. NO: SK-3

**JOB NO: 16166S/
18012S/18260S/19320S**

REV: 8

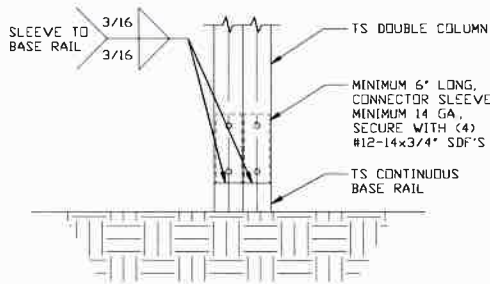
THIS DOCUMENT IS THE PROPERTY OF MOORE AND ASSOCIATES ENGINEERING AND CONSULTING. THE UNAUTHORIZED REPRODUCTION, COPYING, OR OTHERWISE USE OF THIS DOCUMENT IS STRICTLY PROHIBITED AND ANY INFRINGEMENT THEREUPON MAY BE SUBJECT TO LEGAL ACTION.

CONNECTION DETAILS



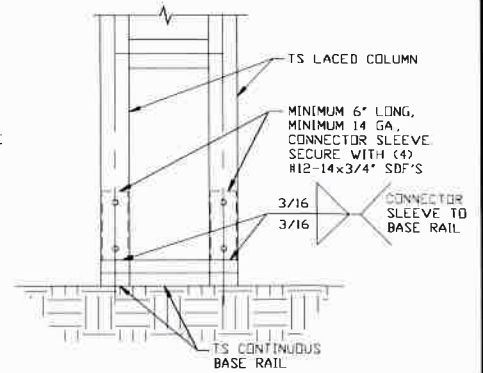
3
**RAFTER COLUMN/
BASE RAIL
CONNECTION DETAIL**

SCALE: NTS



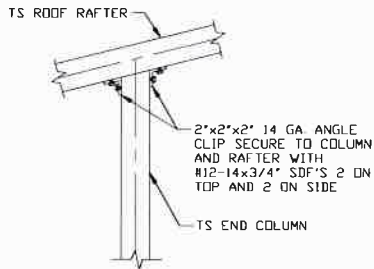
3A
**RAFTER COLUMN/
BASE RAIL
CONNECTION DETAIL**

SCALE: NTS



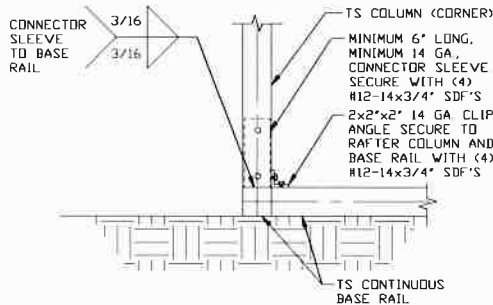
3B
**RAFTER COLUMN/
BASE RAIL
CONNECTION DETAIL**

SCALE: NTS



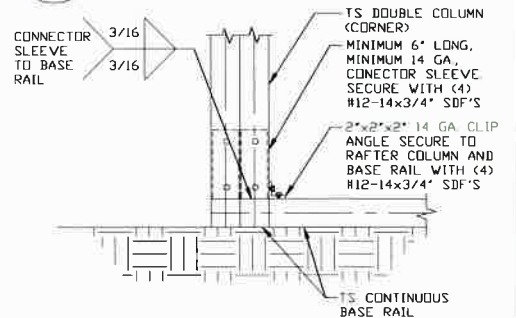
4
**END COLUMN/RAFTER
CONNECTION DETAIL**

SCALE: NTS



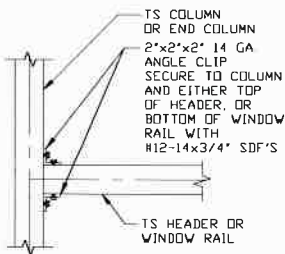
5
**END COLUMN/BASE RAIL
CONNECTION DETAIL**

SCALE: NTS



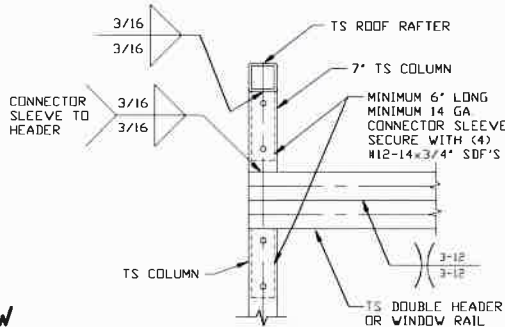
5A
**END COLUMN/BASE RAIL
CONNECTION DETAIL**

SCALE: NTS



6
**COLUMN OR WINDOW
RAIL/WALL GIRT
TO POST
CONNECTION DETAIL**

SCALE: NTS



6A
**COLUMN OR WINDOW
RAIL TO POST
CONNECTION DETAIL**

SCALE: NTS

**MOORE AND ASSOCIATES
ENGINEERING AND CONSULTING, INC.**

DRAWN BY: LT

CHECKED BY: PDH

PROJECT MGR: WSM

CLIENT: EAGLE CARPORTS

**EAGLE CARPORTS
210 AIRPORT ROAD
MOUNT AIRY, NC 27030
30'-0"x20'-0" SP ENCLOSED STRUCTURE**

DATE: 12-23-19

SHT. 11

SCALE: NTS

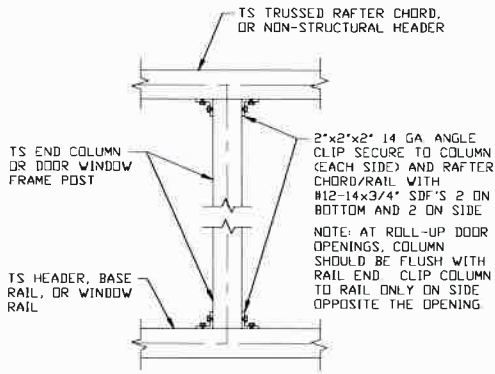
DWG. NO: SK-3

**JOB NO: 16166S/
18012S/18260S/19320S**

REV: 8

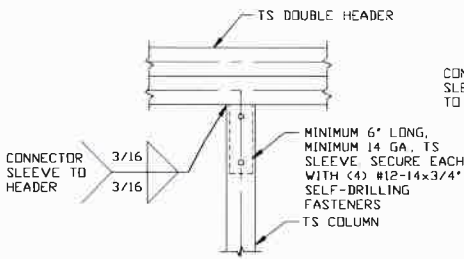
THIS DOCUMENT IS THE PROPERTY OF MOORE AND ASSOCIATES ENGINEERING AND CONSULTING. THE UNAUTHORIZED REPRODUCTION, COPYING, OR OTHERWISE USE OF THIS DOCUMENT IS STRICTLY PROHIBITED AND ANY INFRINGEMENT THEREUPON MAY BE SUBJECT TO LEGAL ACTION.

CONNECTION DETAILS



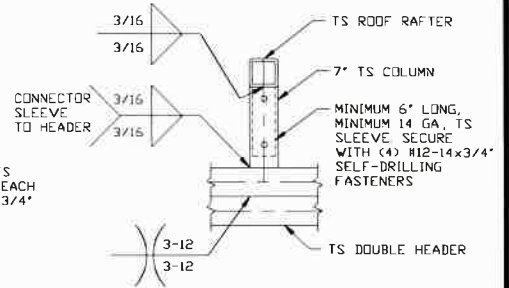
7 COLUMN TO WINDOW RAIL CONNECTION DETAIL

SCALE: NTS



8 DOUBLE HEADER/COLUMN CONNECTION DETAIL

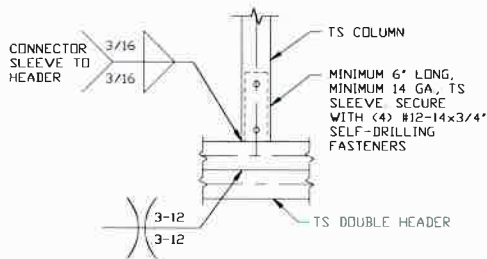
SCALE: NTS



9A

COLUMN/DOUBLE HEADER CONNECTION DETAIL

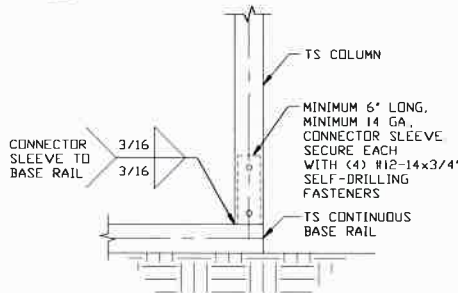
SCALE: NTS



9B

COLUMN/DOUBLE HEADER CONNECTION DETAIL

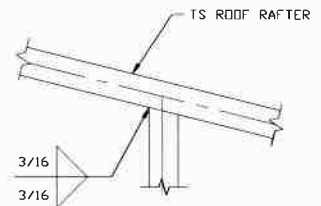
SCALE: NTS



10

COLUMN/BASE RAIL CONNECTION DETAIL

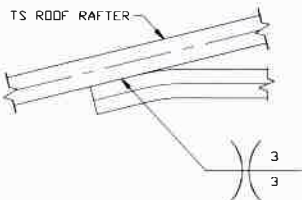
SCALE: NTS



11

RAFTER TO CHORD CONNECTION DETAIL

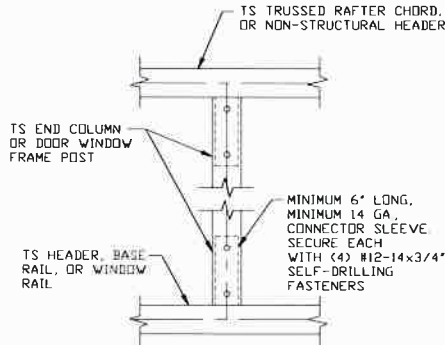
SCALE: NTS



12

COLLAR TIE CONNECTION DETAIL

SCALE: NTS



13

COLUMN TO HEADER OR BASE RAIL CONNECTION DETAIL

SCALE: NTS

**MOORE AND ASSOCIATES
ENGINEERING AND CONSULTING, INC.**

DRAWN BY: LT

CHECKED BY: PDH

PROJECT MGR: WSM

CLIENT: EAGLE CARPORTS

EAGLE CARPORTS
210 AIRPORT ROAD
MOUNT AIRY, NC 27030
30'-0" x 20'-0" SP ENCLOSED STRUCTURE

DATE: 12-23-19

SHT. 12

SCALE: NTS

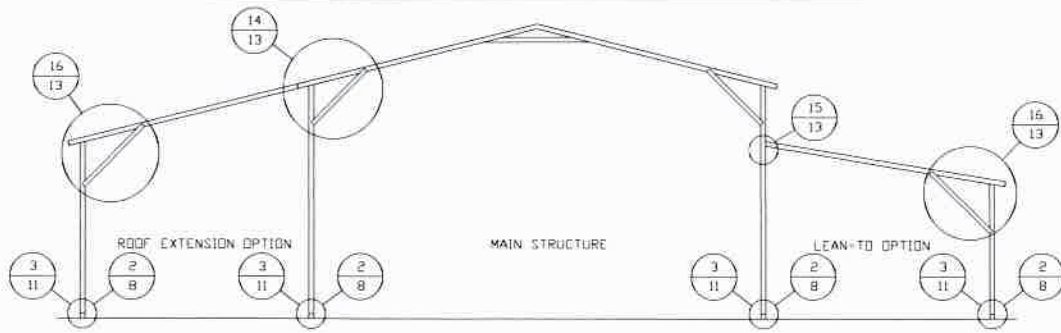
DWG. NO: SK-3

JOB NO: 16166S/
118012S/18260S/19320S

REV: 8

THIS DOCUMENT IS THE PROPERTY OF MOORE AND ASSOCIATES ENGINEERING AND CONSULTING. THE UNAUTHORIZED REPRODUCTION, COPYING, OR OTHERWISE USE OF THIS DOCUMENT IS STRICTLY PROHIBITED AND ANY INFRINGEMENT THEREUPON MAY BE SUBJECT TO LEGAL ACTION.

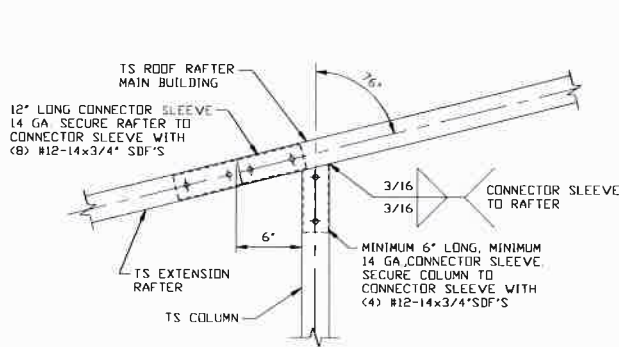
BOX EAVE RAFTER LEAN-TO OPTIONS



TYPICAL BOX EAVE RAFTER LEAN-TO OPTIONS FRAMING SECTION (BOTH OPTIONS SHOWN)

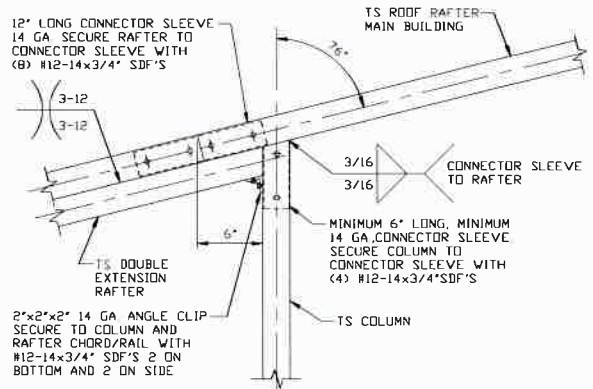
SCALE: NTS

MAXIMUM WIDTH OF SINGLE MEMBER (RAFTER AND COLUMN) ROOF EXTENSION AND LEAN-TO IS 12'-0"
 MAXIMUM WIDTH OF DOUBLE MEMBER (RAFTER AND COLUMN) ROOF EXTENSION AND LEAN-TO IS 15'-0"



14
**SIDE EXTENSION RAFTER/
 COLUMN DETAIL FOR
 RAFTER SPANS \leq 12'-0"**

SCALE: NTS



14A
**SIDE EXTENSION RAFTER/
 COLUMN DETAIL FOR RAFTER
 SPANS 12'-0" < TO \leq 15'-0"**

SCALE: NTS

**MOORE AND ASSOCIATES
 ENGINEERING AND CONSULTING, INC.**

DRAWN BY: LT

CHECKED BY: PDH

PROJECT MGR: WSM

CLIENT: EAGLE CARPORTS

**EAGLE CARPORTS
 210 AIRPORT ROAD
 MOUNT AIRY, NC 27030
 30'-0"x20'-0" SP ENCLOSED STRUCTURE**

DATE: 12-23-19

SHT. 13

SCALE: NTS

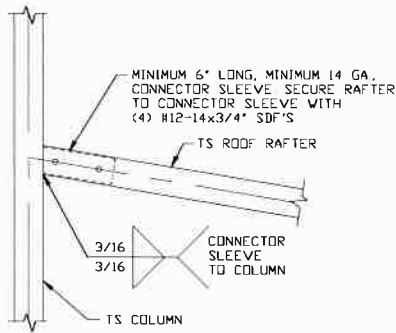
DWG. NO: SK-3

**JOB NO: 16166S/
 18012S/18260S/19320S**

REV: 8

THIS DOCUMENT IS THE PROPERTY OF MOORE AND ASSOCIATES ENGINEERING AND CONSULTING. THE UNAUTHORIZED REPRODUCTION, COPYING, OR OTHERWISE USE OF THIS DOCUMENT IS STRICTLY PROHIBITED AND ANY INFRINGEMENT THEREUPON MAY BE SUBJECT TO LEGAL ACTION.

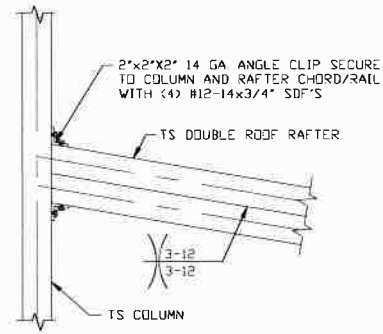
BOX EAVE RAFTER LEAN-TO OPTIONS



15

**LEAN-TO RAFTER TO RAFTER
COLUMN CONNECTION DETAIL
FOR RAFTER SPANS $\leq 12'-0''$**

SCALE: NTS



15A

**LEAN-TO RAFTER TO RAFTER
COLUMN CONNECTION DETAIL
FOR RAFTER SPANS $12'-0'' < TO \leq 15'-0''$**

SCALE: NTS

**MOORE AND ASSOCIATES
ENGINEERING AND CONSULTING, INC.**

DRAWN BY: LT

CHECKED BY: PDH

PROJECT MGR: WSM

CLIENT: EAGLE CARPORTS

**EAGLE CARPORTS
210 AIRPORT ROAD
MOUNT AIRY, NC 27030
30-0"x20'-0" SP ENCLOSED STRUCTURE**

DATE: 12-23-19

SCALE: NTS

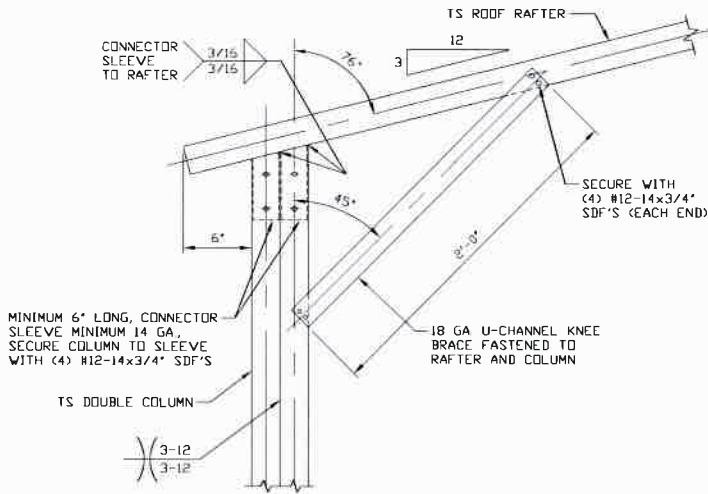
DWG. NO: SK-3

**JOB NO: 16166S/
18012S/18260S/19320S**

REV: 8

THIS DOCUMENT IS THE PROPERTY OF MOORE AND ASSOCIATES ENGINEERING AND CONSULTING. THE UNAUTHORIZED REPRODUCTION, COPYING, OR OTHERWISE USE OF THIS DOCUMENT IS STRICTLY PROHIBITED AND ANY INFRINGEMENT THEREUPON MAY BE SUBJECT TO LEGAL ACTION.

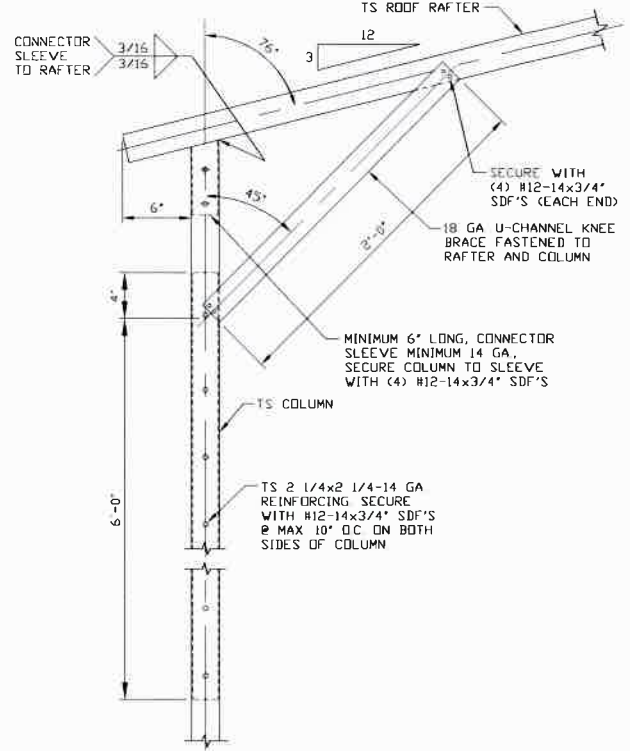
BOX EAVE RAFTER LEAN-TO OPTION - EXPOSURE B



16

BOX EAVE RAFTER COLUMN CONNECTION DETAIL FOR HEIGHTS 15'-0" < TO ≤ 16'-0"

SCALE: NTS
HORSE BARN OPTION (REQUIRES A LEAN-TO ON BOTH SIDES OF THE MAIN BUILDING).



16A

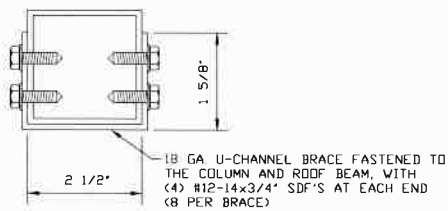
BOX EAVE RAFTER COLUMN CONNECTION DETAIL FOR HEIGHTS 14'-0" < TO ≤ 15'-0"

SCALE: NTS
HORSE BARN OPTION (REQUIRES A LEAN-TO ON BOTH SIDES OF THE MAIN BUILDING).

16B

BOX EAVE RAFTER COLUMN CONNECTION DETAIL FOR HEIGHTS ≤ 14'-0"

SCALE: NTS
HORSE BARN OPTION (REQUIRES A LEAN-TO ON BOTH SIDES OF THE MAIN BUILDING).



BRACE SECTION

SCALE: NTS

**MOORE AND ASSOCIATES
ENGINEERING AND CONSULTING, INC.**

DRAWN BY: LT

CHECKED BY: PDH

PROJECT MGR: WSH

CLIENT: EAGLE CARPORTS

EAGLE CARPORTS
210 AIRPORT ROAD
MOUNT AIRY, NC 27030
30-0"x20'-0" SP ENCLOSED STRUCTURE

DATE: 12-23-19

SCALE: NTS

DWG. NO: SK-3

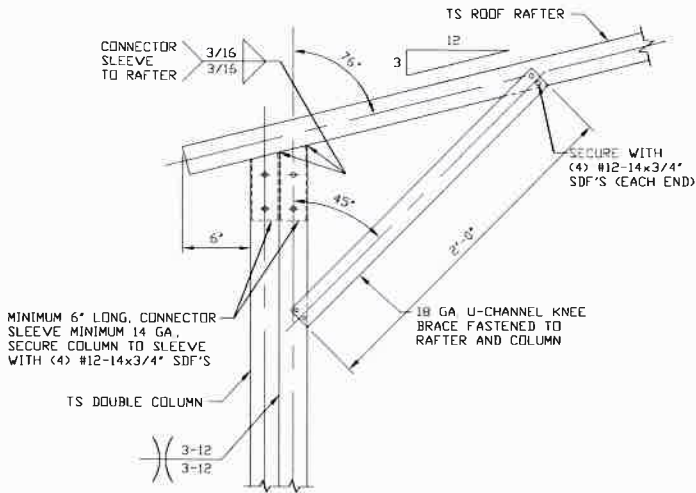
JOB NO: 16166S/
18012S/18260S/19320S

REV: 8

THIS DOCUMENT IS THE PROPERTY OF MOORE AND ASSOCIATES ENGINEERING AND CONSULTING. THE UNAUTHORIZED REPRODUCTION, COPYING, OR OTHERWISE USE OF THIS DOCUMENT IS STRICTLY PROHIBITED AND ANY INFRINGEMENT THEREUPON MAY BE SUBJECT TO LEGAL ACTION.

SHT. 13B

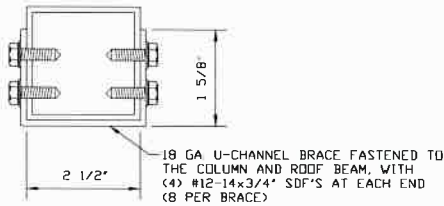
BOX EAVE RAFTER LEAN-TO OPTION - EXPOSURE C



BOX EAVE RAFTER COLUMN CONNECTION DETAIL FOR HEIGHTS 13'-0" < TO ≤ 16'-0"

16C

SCALE: NTS
HORSE BARN OPTION (REQUIRES A LEAN-TO ON BOTH SIDES OF THE MAIN BUILDING)



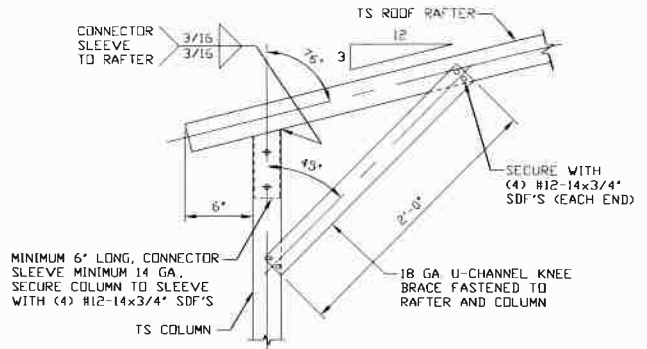
BRACE SECTION

SCALE: NTS

16D

BOX EAVE RAFTER COLUMN CONNECTION DETAIL FOR HEIGHTS ≤ 13'-0"

SCALE: NTS
HORSE BARN OPTION (REQUIRES A LEAN-TO ON BOTH SIDES OF THE MAIN BUILDING)



**MOORE AND ASSOCIATES
ENGINEERING AND CONSULTING, INC.**

DRAWN BY: LT

CHECKED BY: PDH

PROJECT MGR: WSM

CLIENT: EAGLE CARPORTS

EAGLE CARPORTS
210 AIRPORT ROAD
MOUNT AIRY, NC 27030
30'-0"x20'-0" SP ENCLOSED STRUCTURE

DATE: 12-23-19

SCALE: NTS

SHT. 13C

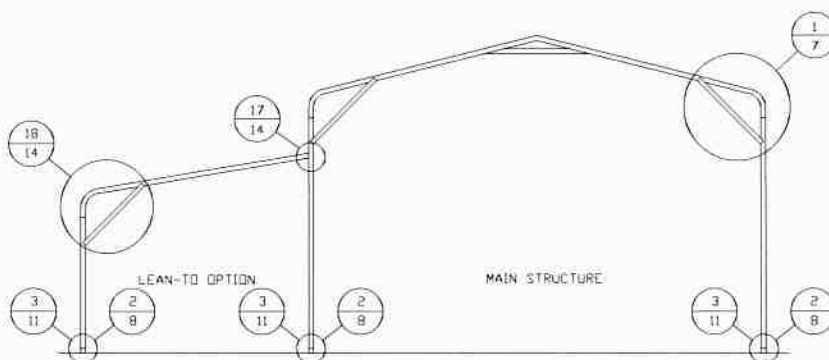
DWG. NO: SK-3

JOB NO: 16166S/
18012S/18260S/19320S

REV: 8

THIS DOCUMENT IS THE PROPERTY OF MOORE AND ASSOCIATES ENGINEERING AND CONSULTING. THE UNAUTHORIZED REPRODUCTION, COPYING, OR OTHERWISE USE OF THIS DOCUMENT IS STRICTLY PROHIBITED AND ANY INFRINGEMENT THEREUPON MAY BE SUBJECT TO LEGAL ACTION.

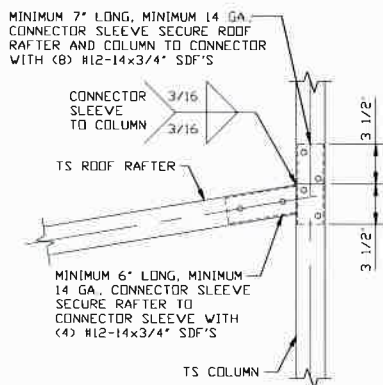
BOW RAFTER LEAN-TO OPTION



TYPICAL BOW RAFTER LEAN-TO OPTION FRAMING SECTION

SCALE: NTS

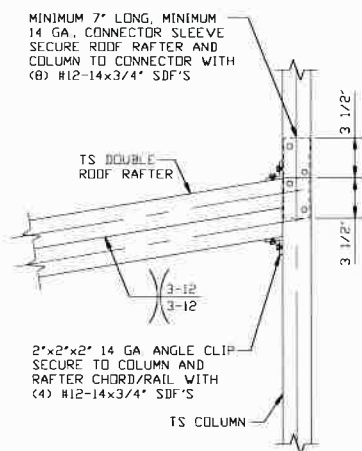
MAXIMUM WIDTH OF SINGLE MEMBER (RAFTER AND COLUMN) ROOF EXTENSION AND LEAN-TO IS 12'-0"
 MAXIMUM WIDTH OF DOUBLE MEMBER (RAFTER AND COLUMN) ROOF EXTENSION AND LEAN-TO IS 15'-0"



LEAN-TO RAFTER TO RAFTER COLUMN CONNECTION DETAIL FOR RAFTER SPANS $\leq 12'-0''$

17

SCALE: NTS



LEAN-TO RAFTER TO RAFTER COLUMN CONNECTION DETAIL FOR RAFTER SPANS $12'-0'' < \text{TO} \leq 15'-0''$

17A

SCALE: NTS

**MOORE AND ASSOCIATES
 ENGINEERING AND CONSULTING, INC.**

DRAWN BY: LT

CHECKED BY: PDH

PROJECT MGR: WSM

CLIENT: EAGLE CARPORTS

EAGLE CARPORTS
 210 AIRPORT ROAD
 MOUNT AIRY, NC 27030
 30'-0" x 20'-0" SP ENCLOSED STRUCTURE

DATE: 12-23-19

SHT. 14

SCALE: NTS

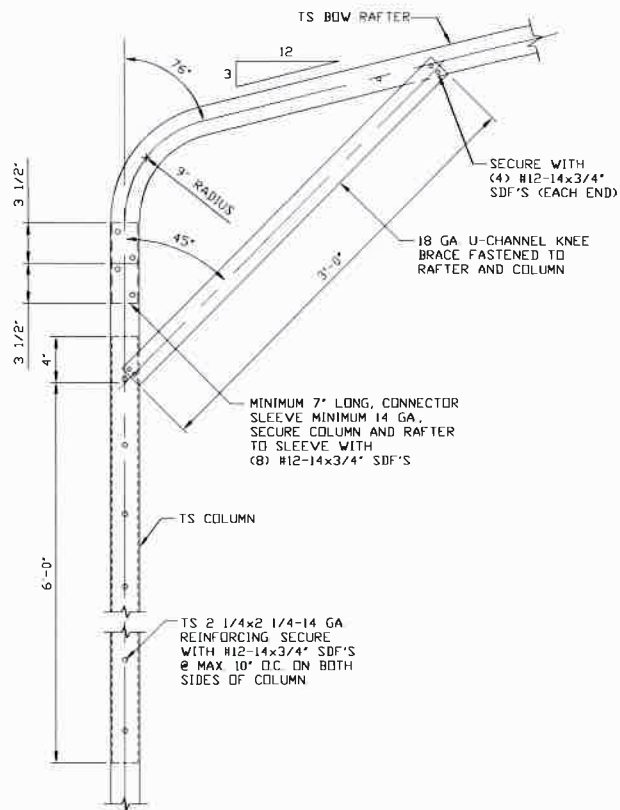
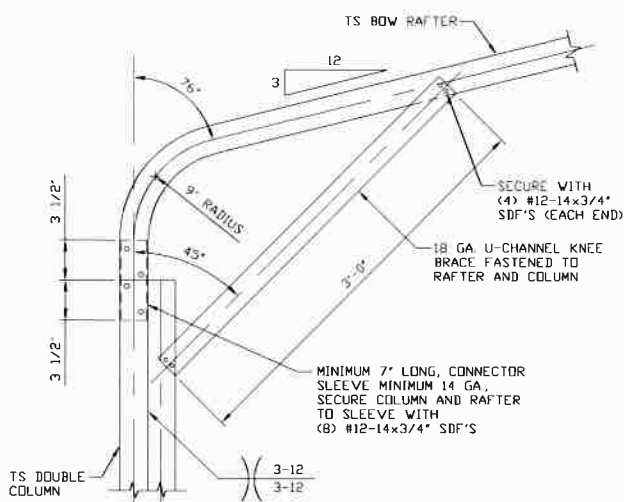
DWG. NO SK-3

**JOB NO: 16166S/
 18012S/18260S/19320S**

REV: 8

THIS DOCUMENT IS THE PROPERTY OF MOORE AND ASSOCIATES ENGINEERING AND CONSULTING. THE UNAUTHORIZED REPRODUCTION, COPYING, OR OTHERWISE USE OF THIS DOCUMENT IS STRICTLY PROHIBITED AND ANY INFRINGEMENT THEREUPON MAY BE SUBJECT TO LEGAL ACTION.

BOW RAFTER LEAN-TO OPTION - EXPOSURE B



18

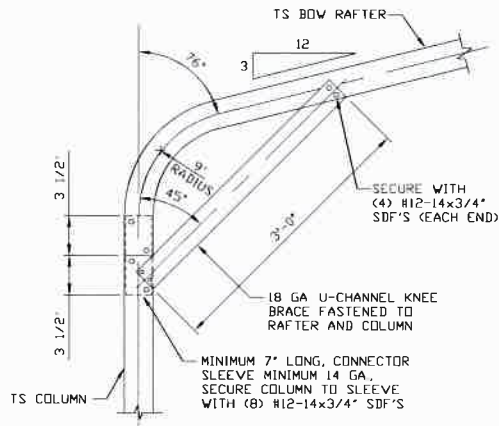
BOW EAVE RAFTER COLUMN CONNECTION DETAIL FOR HEIGHTS 15'-0" < TO ≤ 16'-0"

SCALE: NTS
HORSE BARN OPTION (REQUIRES A LEAN-TO ON BOTH SIDES OF THE MAIN BUILDING)

18A

BOW EAVE RAFTER COLUMN CONNECTION DETAIL FOR HEIGHTS 14'-0" < TO ≤ 15'-0"

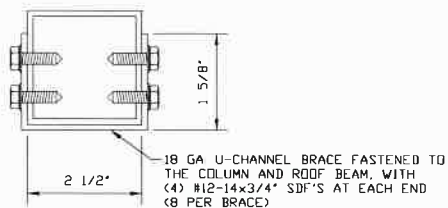
SCALE: NTS
HORSE BARN OPTION (REQUIRES A LEAN-TO ON BOTH SIDES OF THE MAIN BUILDING)



18B

BOW EAVE RAFTER COLUMN CONNECTION DETAIL FOR HEIGHTS ≤ 14'-0"

SCALE: NTS
(HORSE BARN OPTION (REQUIRES A LEAN-TO ON BOTH SIDES OF THE MAIN BUILDING))



BRACE SECTION

SCALE: NTS

**MOORE AND ASSOCIATES
ENGINEERING AND CONSULTING, INC.**

DRAWN BY: LT

CHECKED BY: PDH

PROJECT MGR: WSM

CLIENT: EAGLE CARPORTS

EAGLE CARPORTS
210 AIRPORT ROAD
MOUNT AIRY, NC 27030
30-0"x20'-0" SP ENCLOSED STRUCTURE

DATE: 12-23-19

SCALE: NTS

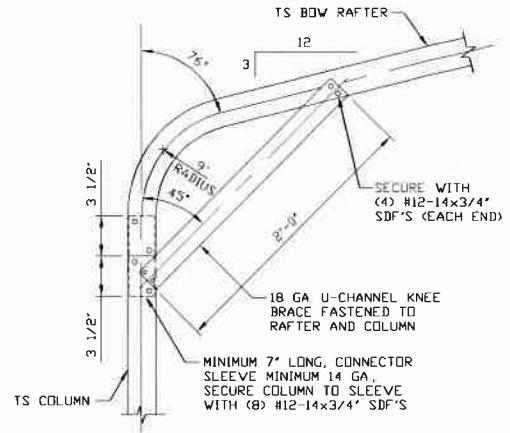
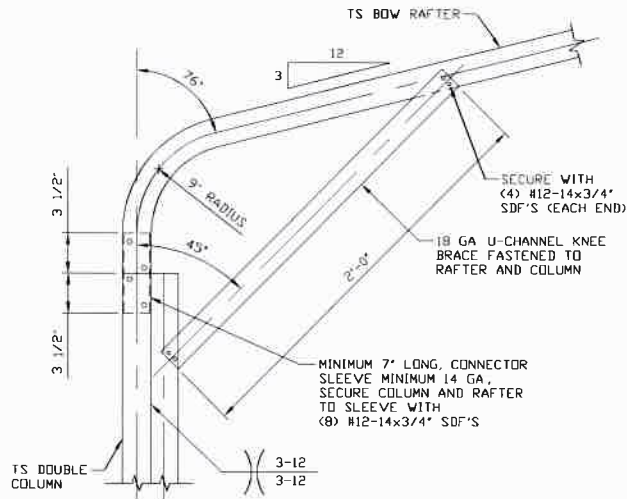
DWG. NO.: SK-3

JOB NO.: 16166S/
18012S/18260S/19320S

REV.: 8

THIS DOCUMENT IS THE PROPERTY OF MOORE AND ASSOCIATES ENGINEERING AND CONSULTING. THE UNAUTHORIZED REPRODUCTION, COPYING, OR OTHERWISE USE OF THIS DOCUMENT IS STRICTLY PROHIBITED AND ANY INFRINGEMENT THEREUPON MAY BE SUBJECT TO LEGAL ACTION.

BOW RAFTER LEAN-TO OPTION - EXPOSURE C

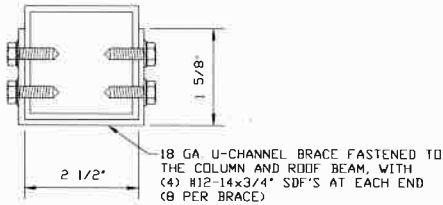


18C BOW EAVE RAFTER COLUMN CONNECTION DETAIL FOR HEIGHTS 13'-0" < TO ≤ 16'-0"

SCALE: NTS
HORSE BARN OPTION (REQUIRES A LEAN-TO
ON BOTH SIDES OF THE MAIN BUILDING)

18D BOW EAVE RAFTER COLUMN CONNECTION DETAIL FOR HEIGHTS ≤ 13'-0"

SCALE: NTS
HORSE BARN OPTION (REQUIRES A LEAN-TO
ON BOTH SIDES OF THE MAIN BUILDING)



BRACE SECTION

SCALE: NTS

**MOORE AND ASSOCIATES
ENGINEERING AND CONSULTING, INC.**

DRAWN BY: LT

CHECKED BY: PDH

PROJECT MGR: VSM

CLIENT: EAGLE CARPORTS

EAGLE CARPORTS
210 AIRPORT ROAD
MOUNT AIRY, NC 27030
30'-0"x20'-0" SP ENCLOSED STRUCTURE

DATE: 12-23-19

SHT. 14B

SCALE: NTS

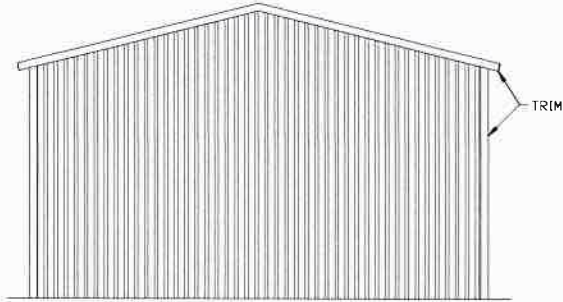
DWG. NO: SK-3

JOB NO: 16166S/
18012S/18260S/19320S

REV: 8

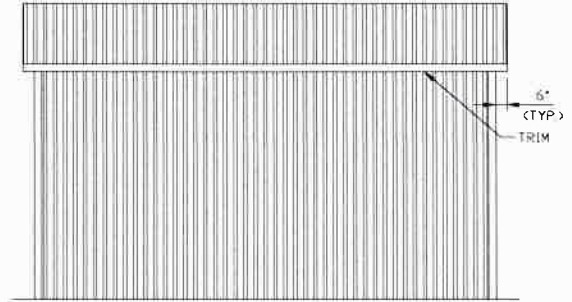
THIS DOCUMENT IS THE PROPERTY OF MOORE AND ASSOCIATES ENGINEERING AND CONSULTING. THE UNAUTHORIZED REPRODUCTION, COPYING, OR OTHERWISE USE OF THIS DOCUMENT IS STRICTLY PROHIBITED AND ANY INFRINGEMENT THEREUPON MAY BE SUBJECT TO LEGAL ACTION.

BOX EAVE RAFTER VERTICAL ROOF/SIDING OPTION



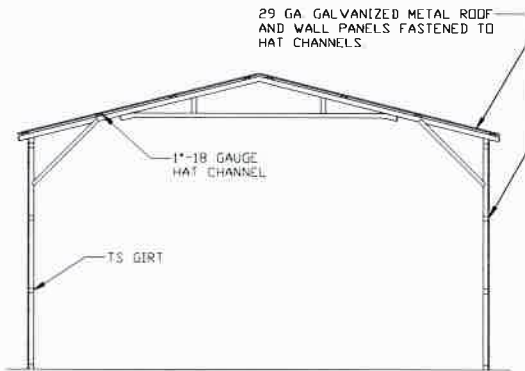
**TYPICAL END ELEVATION
VERTICAL ROOF/SIDING**

SCALE: NTS



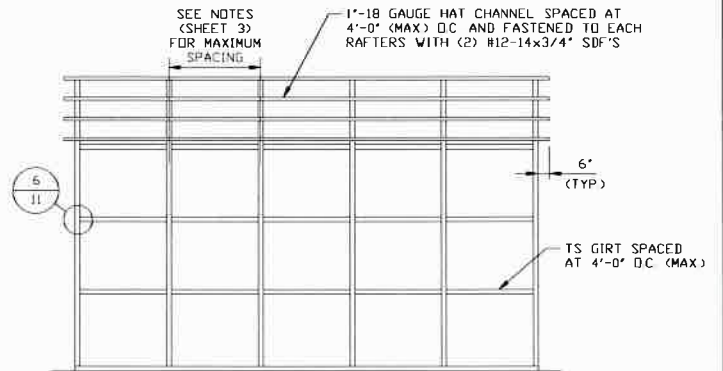
**TYPICAL SIDE ELEVATION
VERTICAL ROOF/SIDING**

SCALE: NTS



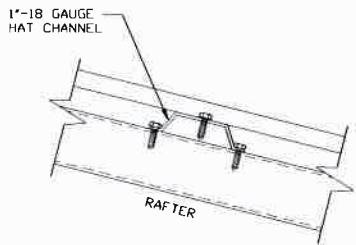
**TYPICAL SECTION VERTICAL
ROOF/SIDING OPTION**

SCALE: NTS



**TYPICAL FRAMING SECTION
VERTICAL ROOF/SIDING OPTION**

SCALE: NTS



PANEL ATTACHMENT

(ALTERNATE FOR VERTICAL ROOF PANELS)
SCALE: NTS

**MOORE AND ASSOCIATES
ENGINEERING AND CONSULTING, INC.**

DRAWN BY: LT

CHECKED BY: PDH

PROJECT MGR: WSM

CLIENT: EAGLE CARPORTS

EAGLE CARPORTS
210 AIRPORT ROAD
MOUNT AIRY, NC 27030
30-0"x20'-0" SP ENCLOSED STRUCTURE

DATE: 12-23-19

SHT. 15

SCALE: NTS

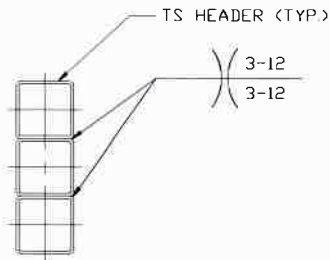
DWG. NO: SK-3

**JOB NO: 16166S/
18012S/18260S/19320S**

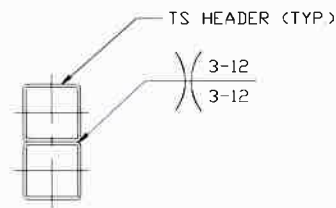
REV: 8

THIS DOCUMENT IS THE PROPERTY OF MOORE AND ASSOCIATES ENGINEERING AND CONSULTING. THE UNAUTHORIZED REPRODUCTION, COPYING, OR OTHERWISE USE OF THIS DOCUMENT IS STRICTLY PROHIBITED AND ANY INFRINGEMENT THEREUPON MAY BE SUBJECT TO LEGAL ACTION.

SIDE WALL HEADER OPTIONS

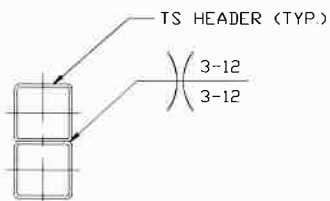


**HEADER DETAIL FOR
12'-0" < LENGTHS ≤ 16'-0"**
SCALE: NTS

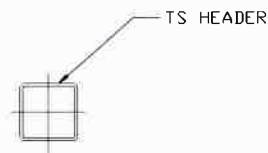


**HEADER DETAIL FOR
LENGTHS < 12'-0"**
SCALE: NTS

END WALL HEADER OPTIONS



**HEADER DETAIL FOR
14'-0" < LENGTHS ≤ 20'-0"**
SCALE: NTS



**HEADER DETAIL FOR
LENGTHS < 14'-0"**
SCALE: NTS

**MOORE AND ASSOCIATES
ENGINEERING AND CONSULTING, INC.**

DRAWN BY: LT

CHECKED BY: PDH

PROJECT MGR: WSM

CLIENT: EAGLE CARPORTS

**EAGLE CARPORTS
210 AIRPORT ROAD
MOUNT AIRY, NC 27030
30'-0"x20'-0" SP ENCLOSED STRUCTURE**

DATE: 12-23-19

SHT. 16

SCALE: NTS

DWG. NO: SK-3

**JOB NO: 16166S/
18012S/18260S/19320S**

REV: 8

THIS DOCUMENT IS THE PROPERTY OF MOORE AND ASSOCIATES ENGINEERING AND CONSULTING. THE UNAUTHORIZED REPRODUCTION, COPYING, OR OTHERWISE USE OF THIS DOCUMENT IS STRICTLY PROHIBITED AND ANY INFRINGEMENT THEREUPON MAY BE SUBJECT TO LEGAL ACTION.