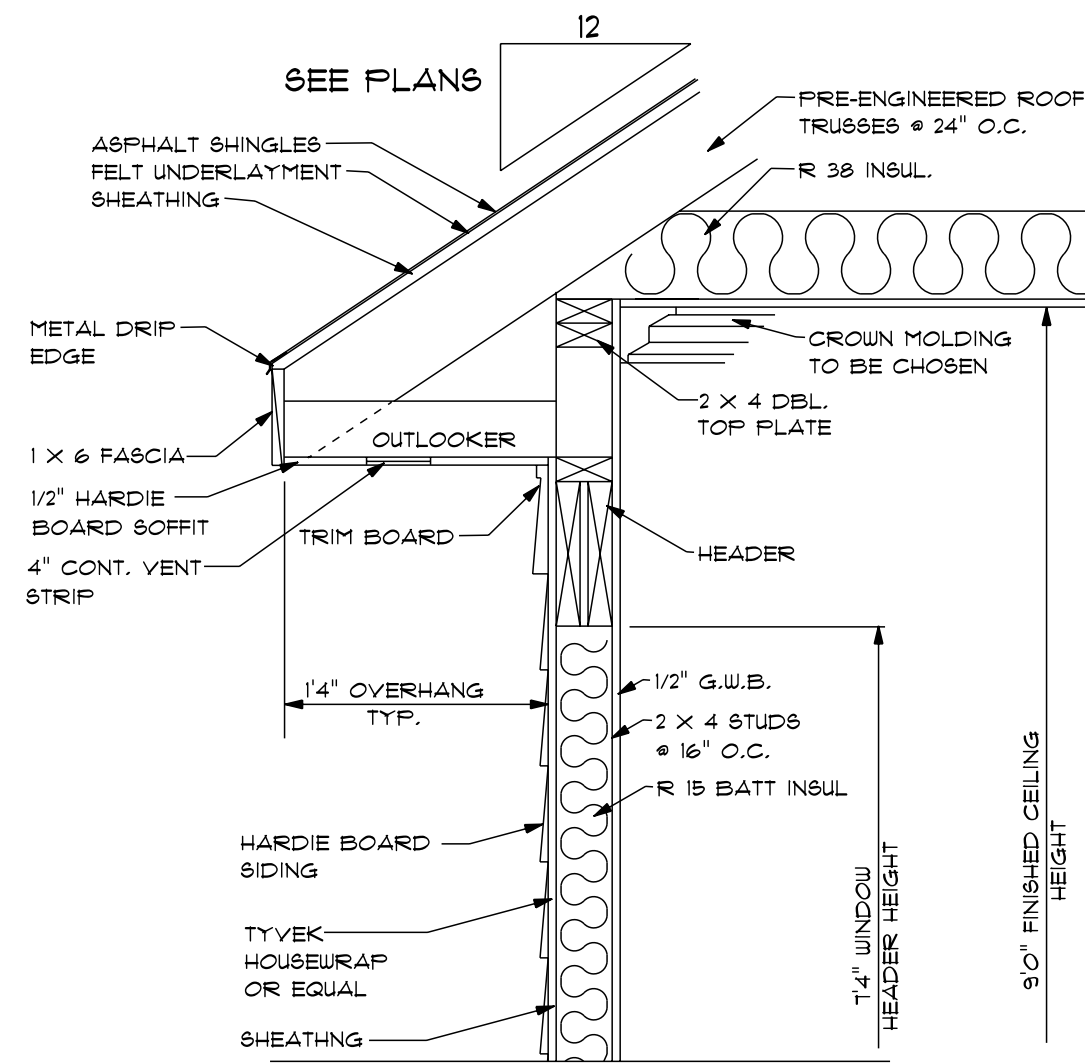


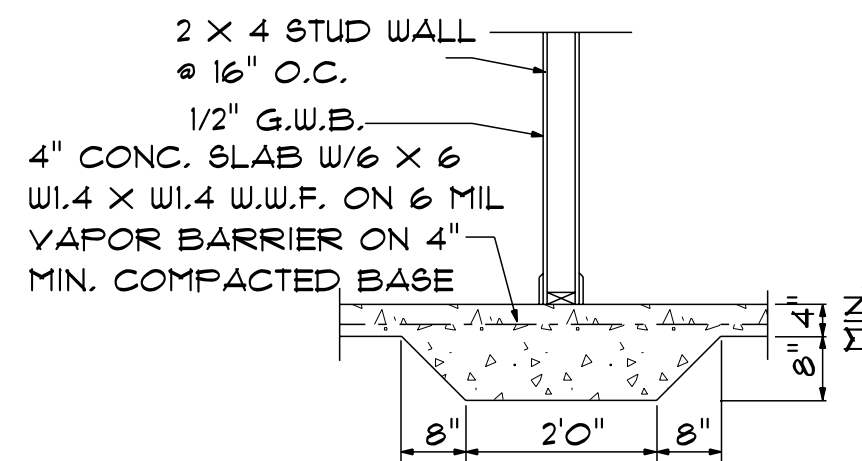
**PORCH ROOF/HEADER  
W/BOXED OR ROUND COLUMN**

SCALE: 3/4" = 1'0"



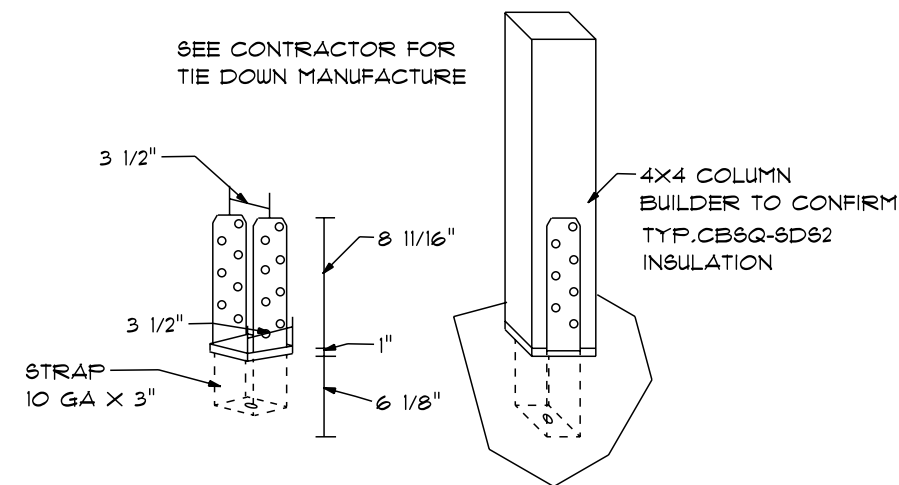
**TYP. OVERHANG DETAIL**

SCALE: 1" = 1'0"



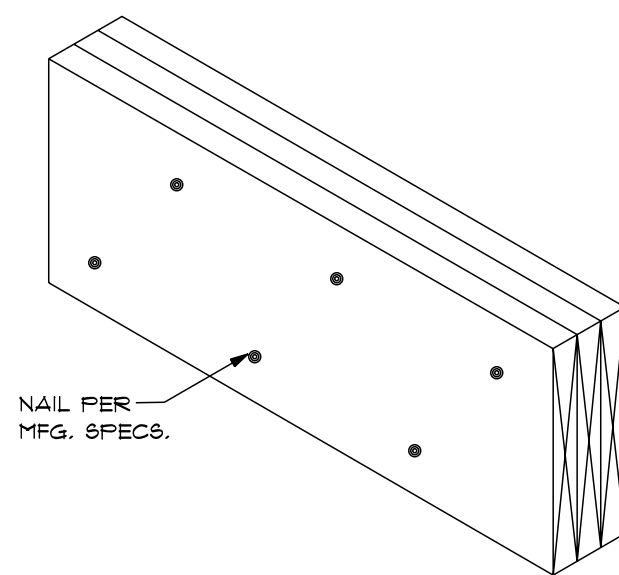
**TYP LUG FOOTING**

NTS



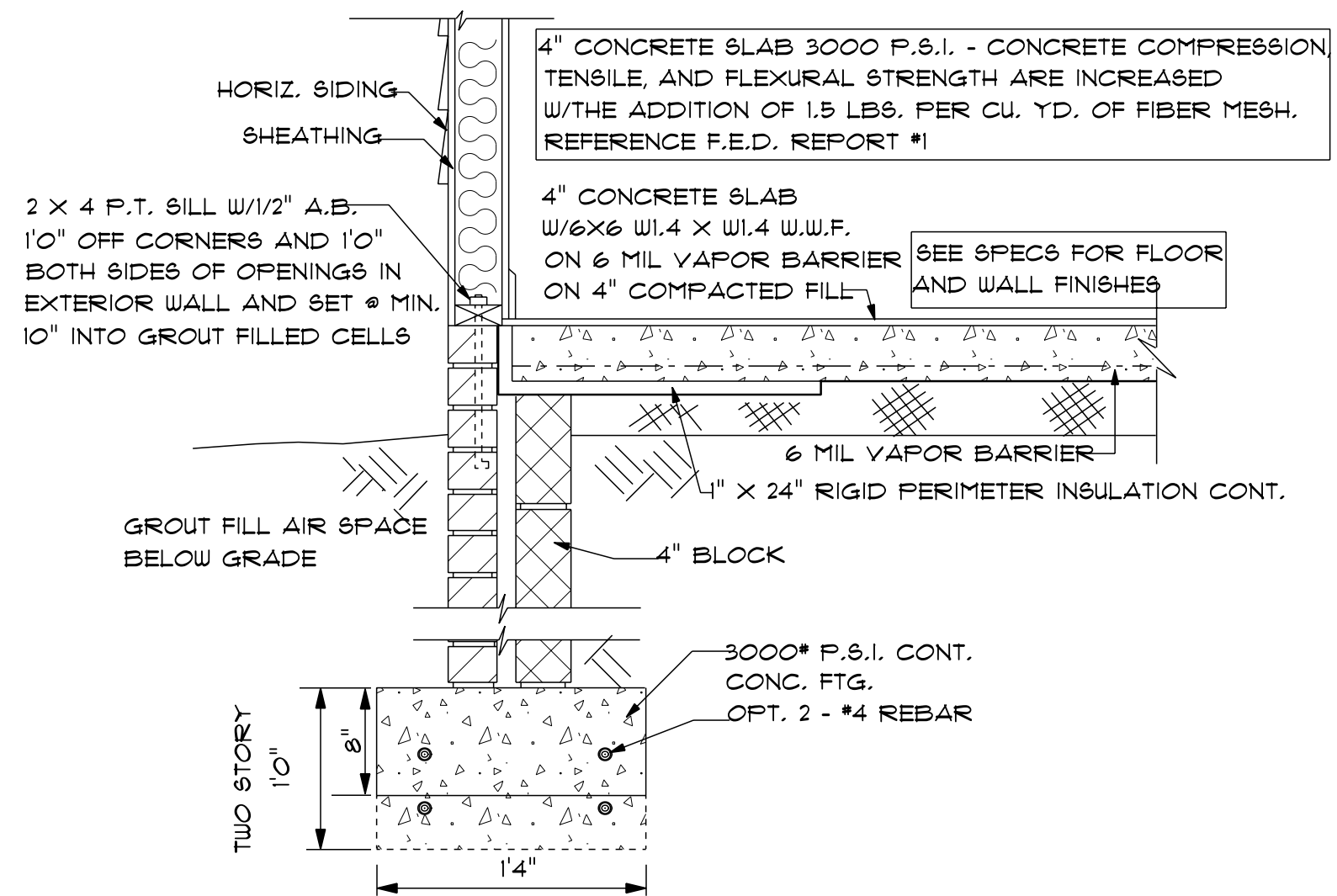
**TYP. TIE DOWN  
DETAIL**

NTS



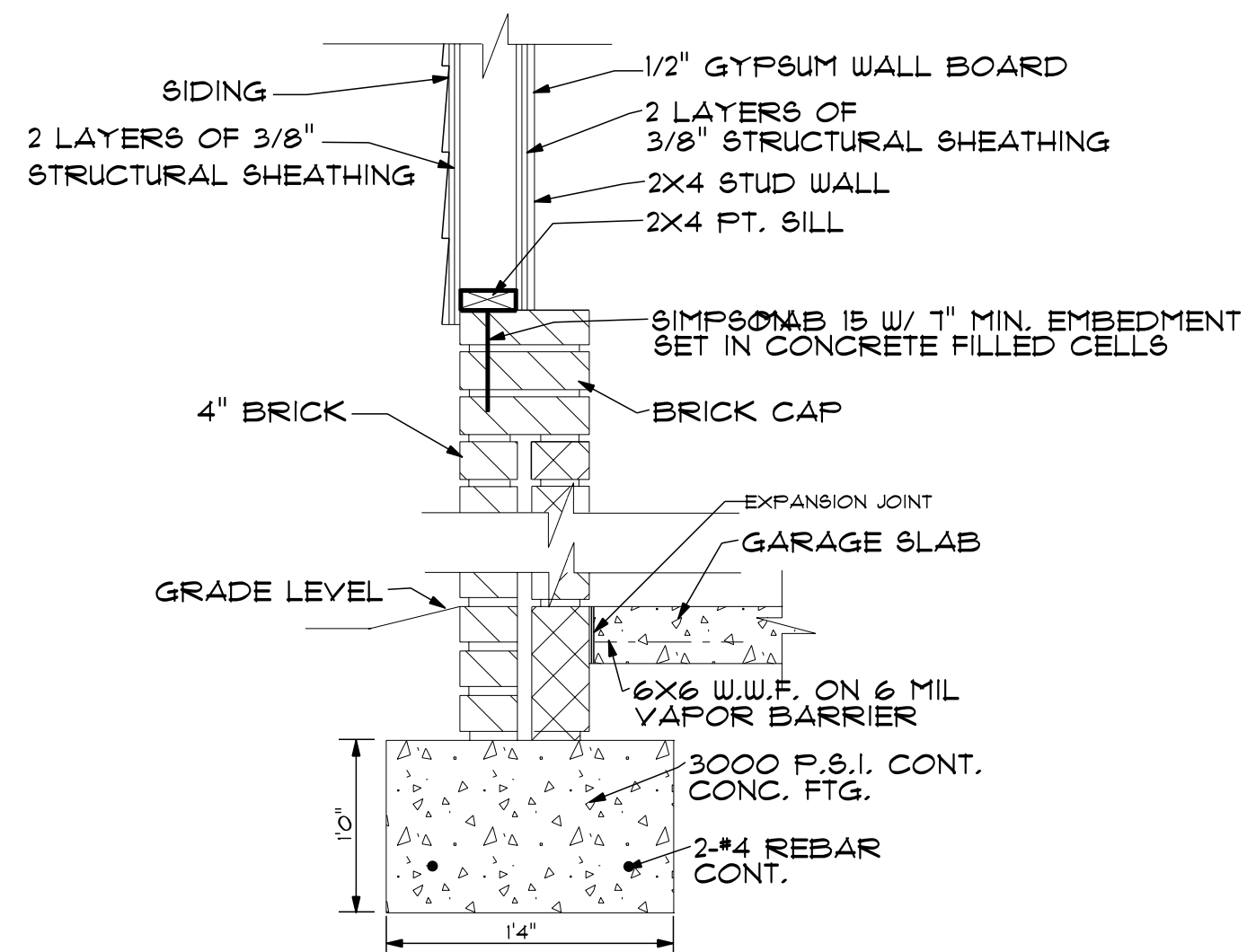
**TYP. LVL BEAM**

SCALE: 1" = 1'0"



**TYP. CONC. SLAB W/SIDING FTG.**

SCALE: 1" = 1'0"



**DOUBLE-SIDED BRACED  
WALL - BRICK INTERIOR**

SCALE: 1" = 1'0"

- NOTES:
1. ALL FINAL MATERIALS ARE TO BE CHOSEN BY HOME OWNER AND / OR BUILDER.
  2. FINAL NUMBER OF EXTERIOR STEPS WILL BE DETERMINED ON SITE BY GRADE
  3. CONTRACTOR MUST MEET OR EXCEED ALL LOCAL BUILDING CODES (NC 2018)
  4. DESIGNER ASSUMES NO RESPONSIBILITY FOR CHANGES TO DRAWINGS BY OTHERS DURING CONSTRUCTION
  5. ALL STRUCTURAL INFO SHOWN ON PLANS ARE FOR REFERENCE PURPOSES ONLY. CONTRACTOR SHALL HAVE STRUCTURAL ENG. REVIEW AND DESIGN ALL STRUCTURAL ELEMENTS



GCP Designs Group LLC  
Designs You Can Trust

DATE: 1-8-2021

SUBDIVISION:

BUILDER:

**MR. SOLOMON WOODS**

NOTE:  
BUILDING CONTRACTOR TO MEET LOCAL WIND LOADS PER LOCAL CODE AS IT PERTAINS TO LOCATION OF HOUSE  
100, 110, 120, 130, 140, 150, MPH