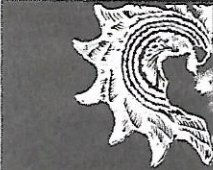


**GREG ROBINSON, P.E.**  
**CONSULTING ENGINEER**

6512 Six Forks Road, Suite 403A  
 Raleigh, North Carolina 27615

919 846 4752  
 info@gar-pe.com



**GENERAL NOTES AND OUTLINE SPECIFICATIONS**

- 01000 GENERAL**
- Design Live Loads
    - Floor 40 psf
    - Roof 20 psf
  - Ground Snow Loads (2018 NC Building Code, 2015 IBC, ASCE 7-10)  
 Ground Snow Load: 15 psf
  - Wind loads (2018 NC Building Code, 2015 IBC, ASCE 7-10)  
 Basic Wind Velocity (ultimate): 120 mph; Exposure: C; Category III
  - Lateral design controlled by Wind Loads.

- 02000 FOUNDATION**
- Design soil bearing capacity: 2,000 psf (presumed).
- 06090 PRE-ENGINEERED WOOD CONNECTORS**
- Connectors shall be hot-dipped galvanized or electro-plated galvanized with a minimum coating of G90.
  - Nails shall be "common" unless otherwise noted in the drawings.

- 08110 WOOD FRAMING**
- Unless noted otherwise: kiln-dried, S-P-F, #2 grade, surfaced dry, 15 percent maximum moisture content.  
 Floor joists: preservative-treated, kiln-dried, Southern Pine, #2 grade, surfaced dry, 15 percent maximum moisture content.  
 Mud sills: preservative treated, kiln-dried, Southern Pine, #2 grade, surfaced dry, 19 percent maximum moisture content.
  - Nail sizes:
 

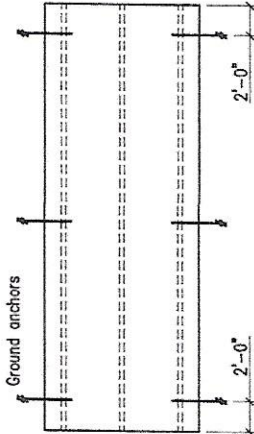
Length (inches)	Diameter (inches)	Pennyweight
8d	2.5	0.131
10d	3	0.148
12d	3.25	0.148

- 06120 STRUCTURAL WOOD PANELS**
- Sheathing shall conform to the grading rules of U.S. Product Standard PS 1, latest edition, and shall have appropriate grade trade mark of an American Plywood Association approved agency on each plywood panel. Sheathing shall be APA rated sheathing in thicknesses and span ratings shown drawings. Sheathing shall be applied in full sheets or in largest pieces practical for the area being covered.
  - Particleboard sheathing: ANSI A208.1 APA Oriented Strand Board; wood flakes set with waterproof resin binder; unsanded faces.
  - Secure roof sheathing perpendicular to framing members with ends staggered and sheet ends over firm bearing.
  - Secure wall sheathing with long dimension parallel to wall studs, with ends over firm bearing and staggered.
  - Install sheathing two span continuous minimum.

**THE Shed Depot**  
 OF NORTH CAROLINA

1732 Westover Drive  
 Sanford, North Carolina 27330  
 919 776 0206  
 info@sheddepotinc.com

**12'-0 x 12'-0 to 28'-0  
 A-Frame Shed**

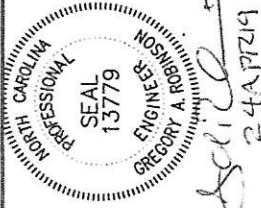


**Ground Anchors**

(Exact Anchor) Scale: 1/8"=1'-0"

Ground Anchor Schedule	
Building Length	Number of Ground Anchors Each Long Side
30 ft - 36 ft	3
12 ft - 28 ft	2

- Notes:**
- Minimum uplift capacity of each anchor: 2,300 pounds
  - Install ground anchors and strapping in accordance with manufacturer's instructions



GREGORY A. ROBINSON  
 ENGINEER  
 SEAL 13779  
 24A77219

**DRAWING INDEX:**

- C1 Cover Sheet and General Notes
- 2 Floor and Wall Framing Plans
- 3 Roof Framing Plans and Exterior Elevations
- 4 Wall Framing Elevations and Wall Section
- D1 Details
- D2 Details

GARPE Project #19009  
 Date: 27MAY19



*Greg*  
2-7-2019



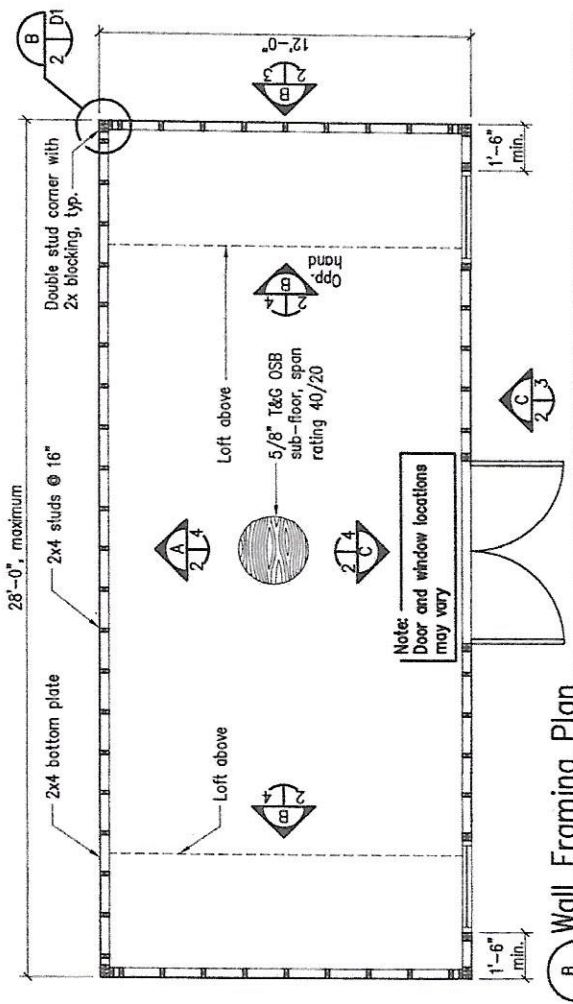
**GREG ROBINSON, P.E.**  
CONSULTING ENGINEER  
6512 SIX FORKS ROAD, SUITE 403A  
RALEIGH, NORTH CAROLINA 27615  
(919) 846-4752 (919) 847-0555 FAX  
greg@gr-pe.com



12' x 12' to 28' x 9' Shed
GARPE Job # 19009

Drawn	GAR
Checked	GAR
Date	27/FEB/19
Rev	27/MAR/19
Rev	

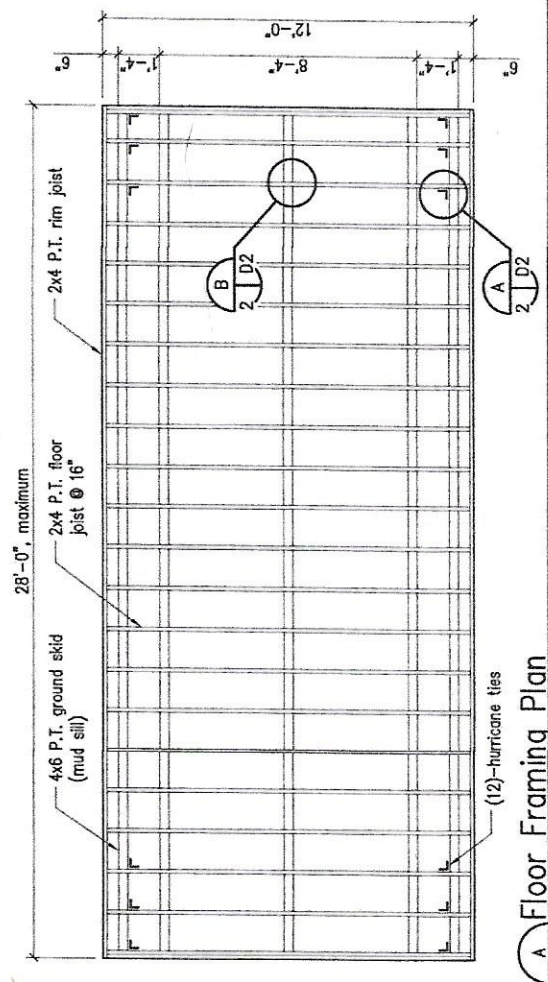
**2**  
2 of 6



Note:  
Door and window locations  
may vary

**Wall Framing Plan**

Scale: 1/4" = 1'-0"



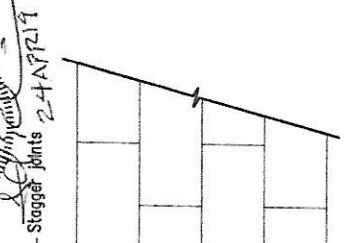
**Floor Framing Plan**

Scale: 1/4" = 1'-0"

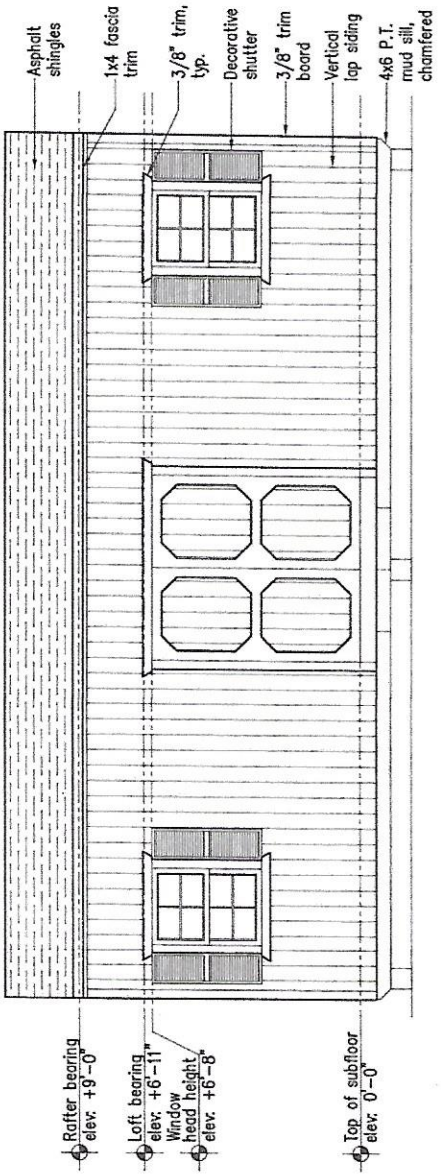


Drawn	GAR
Checked	GAR
Date	27FEB19
Rev	27MARI9
Rev	

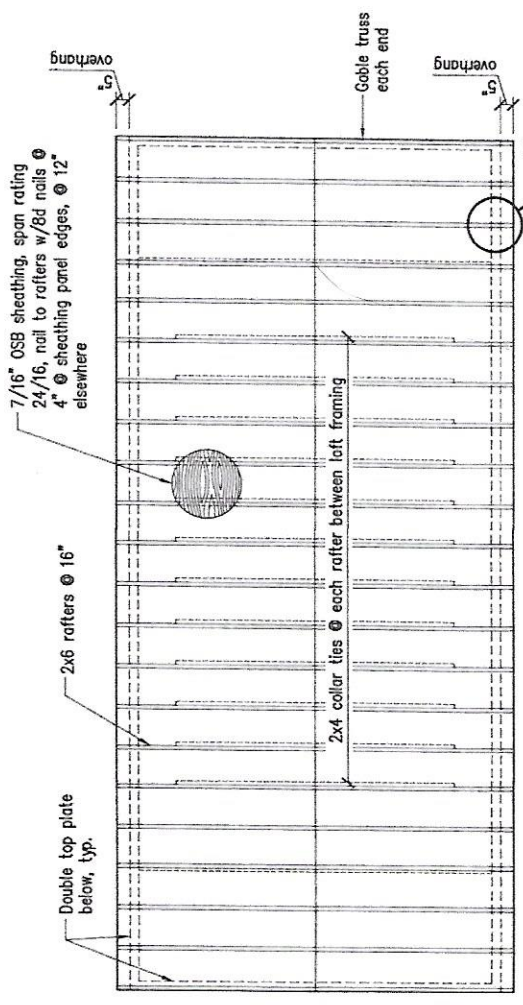
GARPE Job # 19009  
12' x 12' to 28' x 9' Shed



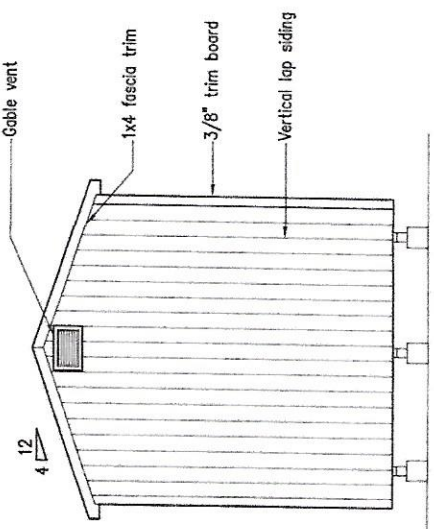
**(D) Sheathing Joint Pattern**  
Scale: N.T.S.



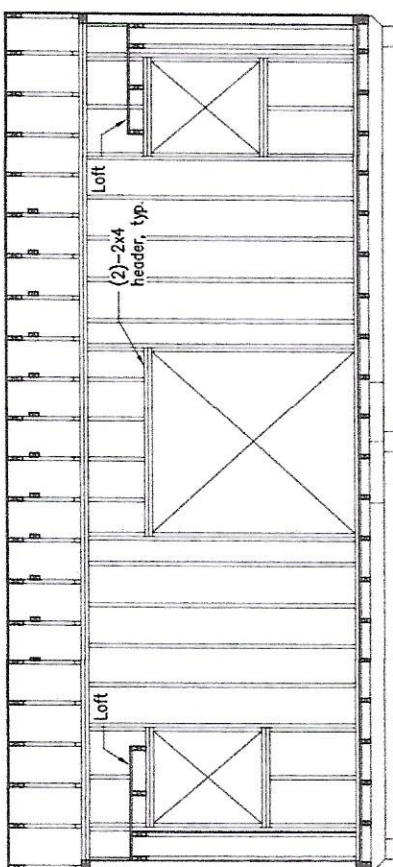
**(C) Exterior Elevation**  
Scale: 1/4"=1'-0"



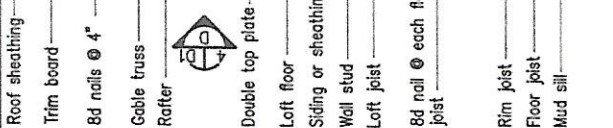
**(A) Roof Framing Plan**  
Scale: 1/4"=1'-0"



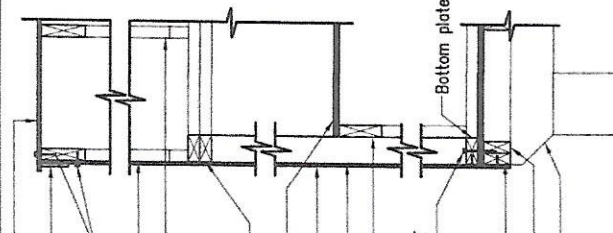
**(B) Exterior Elevation**  
Scale: 1/4"=1'-0"



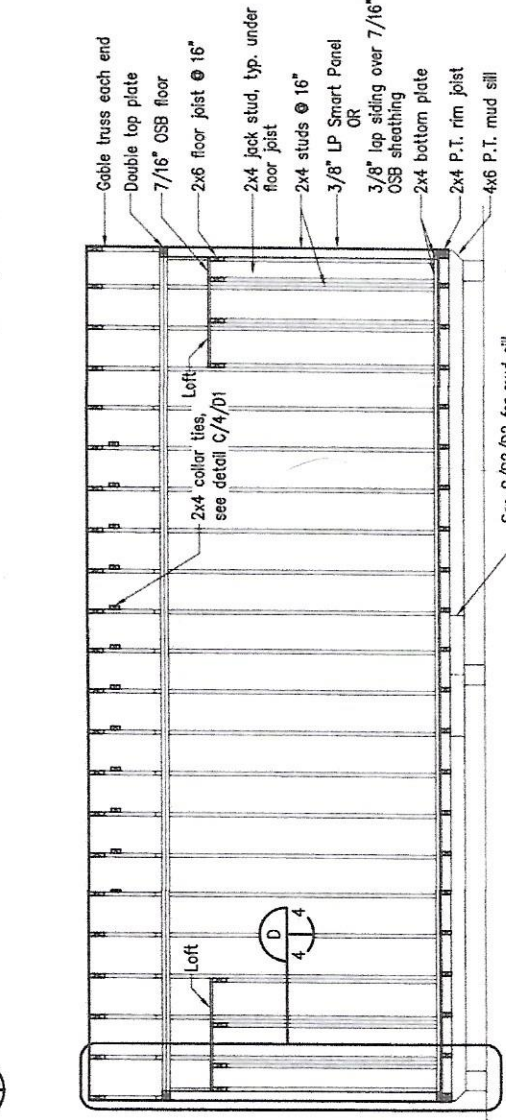
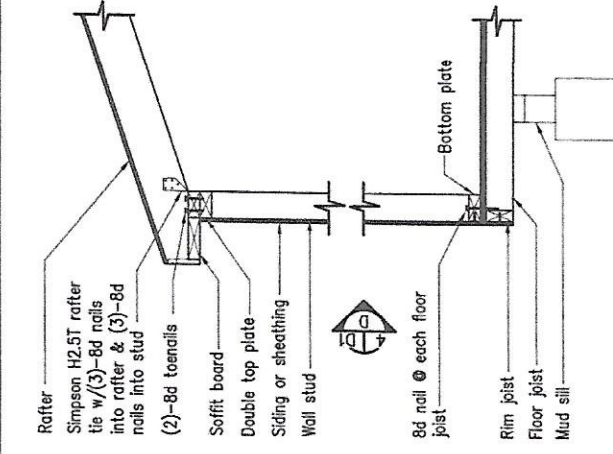
**C Wall Framing Elevation**  
 (Ref. Draw.) Scale: 1/4"=1'-0"  
 4 1/4



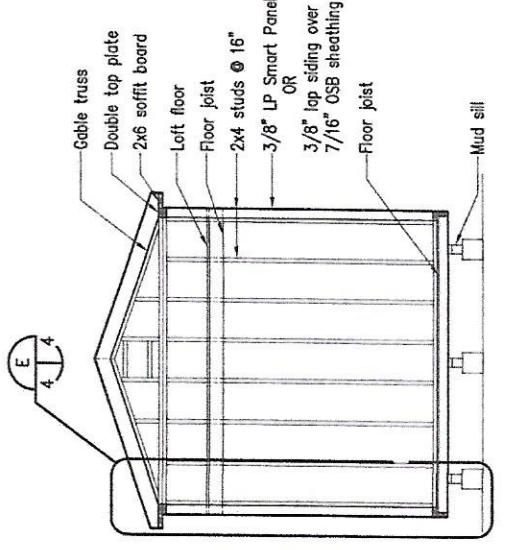
**D Wall Section**  
 (Ref. Section) Scale: 3/4"=1'-0"  
 4 1/4



**E Wall Section**  
 (Ref. Section) Scale: 3/4"=1'-0"  
 4 1/4



**A Wall Framing Elevation**  
 (Ref. Draw.) Scale: 1/4"=1'-0"  
 2 1/4

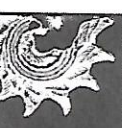


**B Wall Framing Elevation**  
 (Ref. Draw.) Scale: 1/4"=1'-0"  
 2 1/4



Drawn	GAR
Checked	GAR
Date	27FEB19
Rev	27MAR19
Rev	

GARPE Job # 19009  
 12' x 12' to 28' x 9' Shed



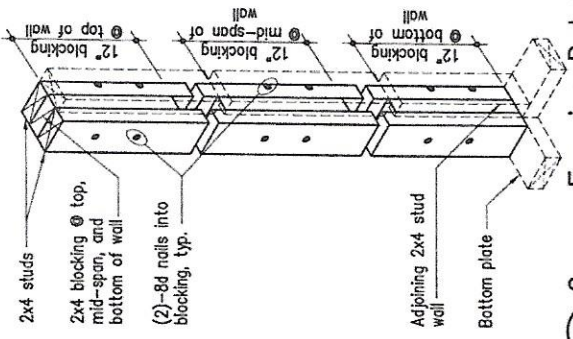
Drawn	GAR
Checked	GAR
Date	27FEB19
Rev	27MARI9
Rev	

GARPE Job # 19009

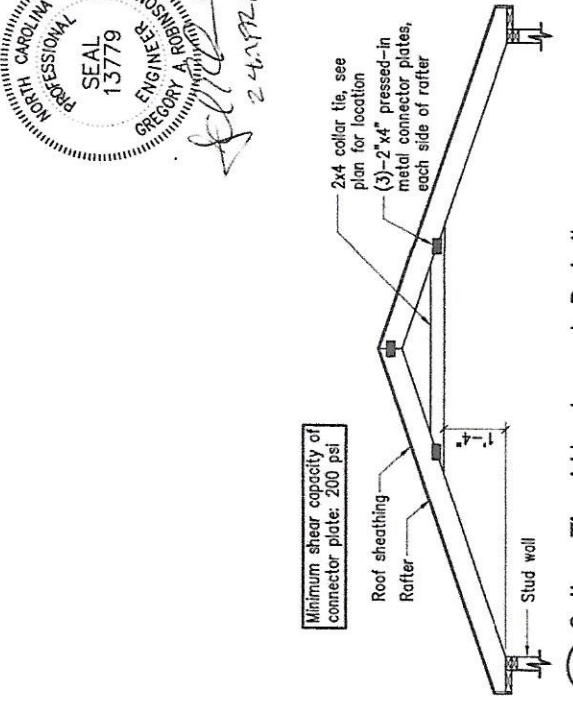
12' x 12' to 28' x 9' Shed

NORTH CAROLINA  
PROFESSIONAL  
SEAL  
13779  
ENGINEER  
GREGORY A. ROBINSON

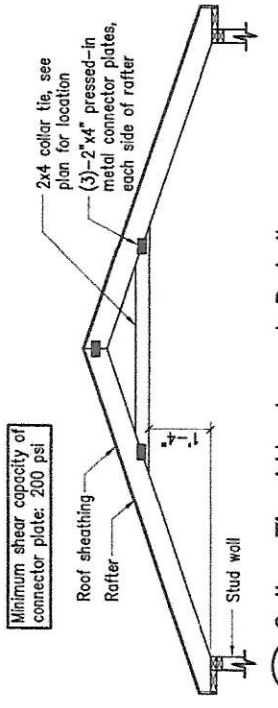
*[Signature]*  
2-26-19



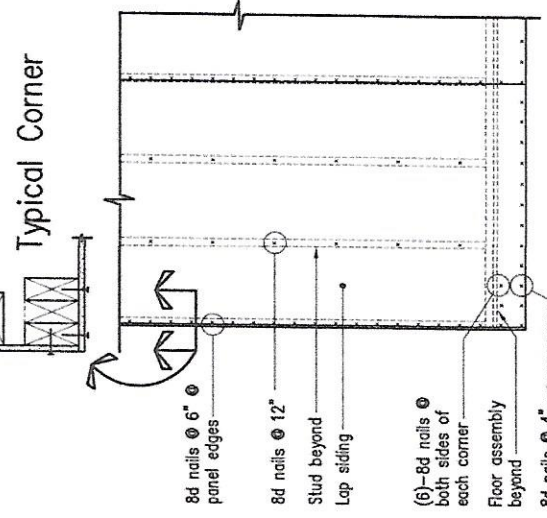
**A** Top Plate Splice Detail  
Scale: 1 1/2"=1'-0"



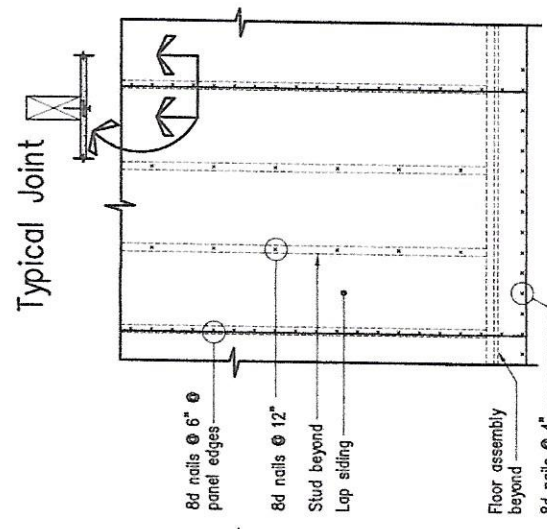
**B** Corner Framing Detail  
Scale: 1"=1'-0"



**C** Collar Tie Attachment Detail  
Scale: 3/8"=1'-0"



**D** Typical Corner  
Scale: 1/2"=1'-0"



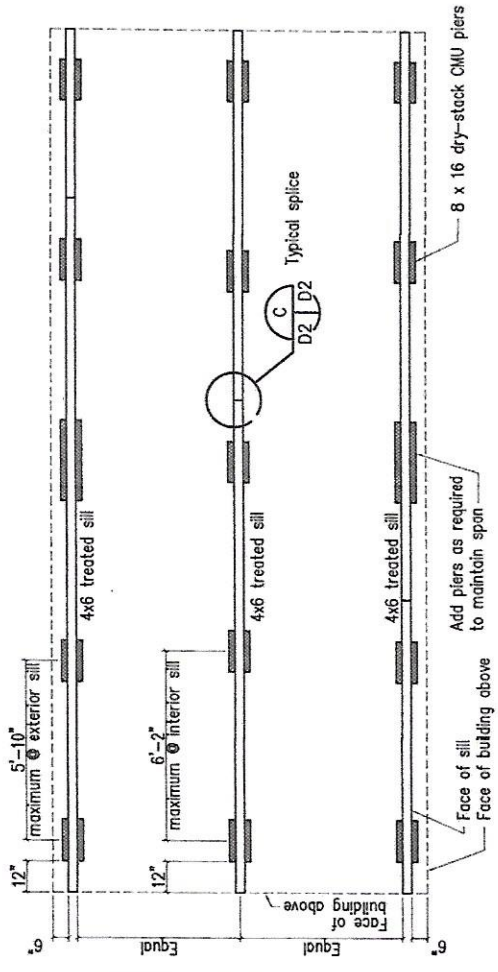
**E** Typical Joint  
Scale: 1/2"=1'-0"

**D1** Panel Nailing Patterns  
Scale: 1/2"=1'-0"

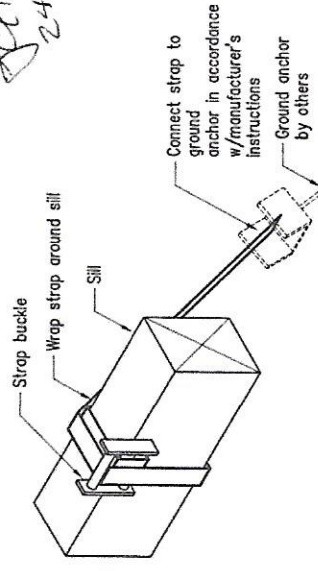


Drawn	GAR
Checked	GAR
Date	27FEB19
Rev	27MAR19
Rev	

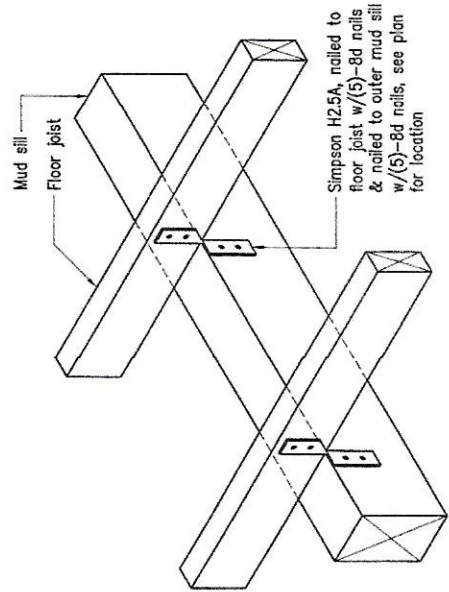
12' x 12' to 28' x 9' Shed  
GARPE Job # 19009



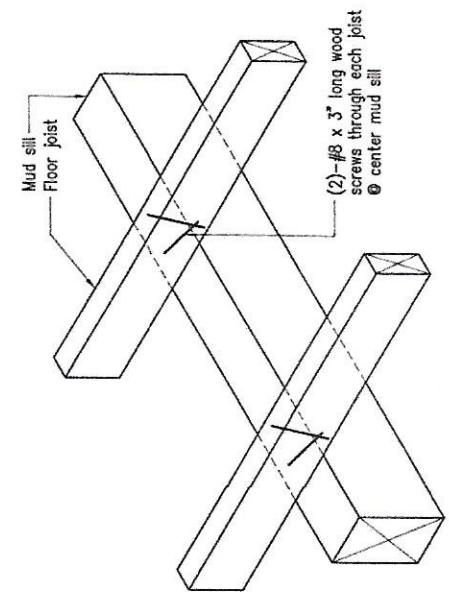
**Floor Framing and Foundation Pier Plan, 12' x 28' (maximum)**  
Scale: 1/4"=1'-0"



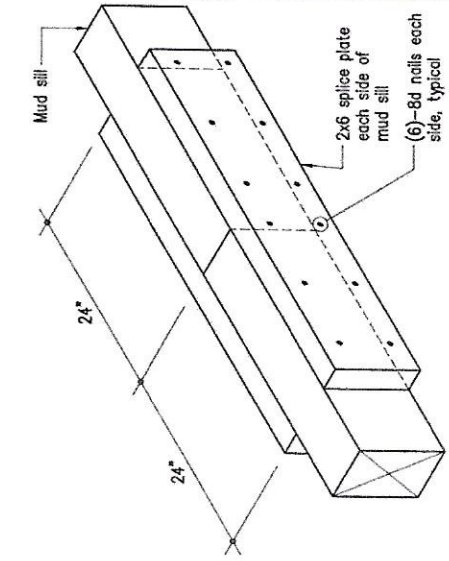
**Anchor Strap Detail**  
Scale: 1 1/2"=1'-0"



**Floor Joist to Outer Mud Sill**  
Scale: 1 1/2"=1'-0"



**Floor Joist-to-Center Mud Sill**  
Scale: 1 1/2"=1'-0"



**Mud Sill Splice Detail**  
Scale: 1 1/2"=1'-0"

C D2 D2

B D2 D2

A D2 D2