

Eagle Carports

"Flying High with Great Deals"



STRUCTURAL DESIGN

FULLY OPEN (CARPORT) BUILDING

**MAXIMUM 30'- 0" WIDE X 20'- 0" HEIGHT-
BOX EAVE FRAME AND BOW FRAME**

23 December 2019

Revision 8

M&A Project No. 16166S/17207S/17293S/18012S/18260S/19320S

Prepared for:

**Eagle Carports
210 Airport Road
Mount Airy, NC 27030**

Prepared by:

Moore and Associates Engineering and Consulting, Inc.

**1009 East Avenue
North Augusta, SC 29841**

**401 S. Main Street, Suite 200
Mount Airy, NC 27030**



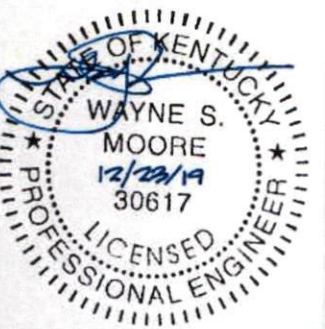
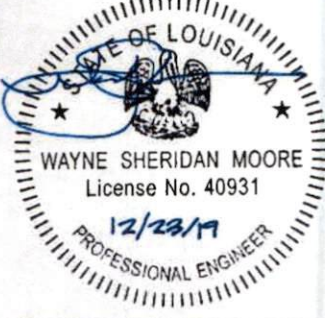

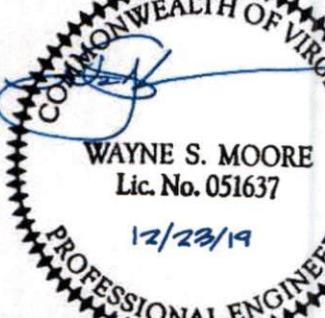
**MOORE AND ASSOCIATES
ENGINEERING AND CONSULTING**



**MOORE AND ASSOCIATES
ENGINEERING AND CONSULTING, INC.**

DRAWN BY: LT	EAGLE CARPORTS 210 AIRPORT ROAD MOUNT AIRY, NC 27030		
CHECKED BY: PDH	30'-0"x20'-0" SP FULLY OPEN STRUCTURE		
PROJECT MGR: VSM	DATE: 12-23-19	SCALE: NTS	JOB NO: 16166S/ 18012S/18260S/19320S
CLIENT: EAGLE CARPORTS	SHT. 1	DWG. NO SK-1	REV: 8

THIS DOCUMENT IS THE PROPERTY OF MOORE AND ASSOCIATES ENGINEERING AND CONSULTING. THE UNAUTHORIZED REPRODUCTION, COPYING, OR OTHERWISE USE OF THIS DOCUMENT IS STRICTLY PROHIBITED AND ANY INFRINGEMENT THEREUPON MAY BE SUBJECT TO LEGAL ACTION.

			
	<p>I HAVE RESEARCHED THIS CHAPTER AND THE LOUISIANA STATE UNIFORM CONSTRUCTION CODE AND TO THE BEST OF MY KNOWLEDGE AND BELIEF, THESE DRAWINGS ARE IN COMPLIANCE THEREWITH. I TAKE FULL RESPONSIBILITY FOR THE CONTENTS OF THESE PLANS.</p>		
	<p>Professional Certification I hereby certify that these documents were prepared or approved by me, and that I am a duly licensed professional engineer under the laws of the State of Maryland, License No. 49744, Expiration Date <u>6/8/20</u></p>		
			

<p align="center">MOORE AND ASSOCIATES ENGINEERING AND CONSULTING, INC.</p>		<p>DRAWN BY: LT</p>	<p align="center">EAGLE CARPORTS 210 AIRPORT ROAD MOUNT AIRY, NC 27030 30'-0"x20'-0" SP FULLY OPEN STRUCTURE</p>		
		<p>CHECKED BY: PDH</p>			
<p><small>THIS DOCUMENT IS THE PROPERTY OF MOORE AND ASSOCIATES ENGINEERING AND CONSULTING. THE UNAUTHORIZED REPRODUCTION, COPYING, OR OTHERWISE USE OF THIS DOCUMENT IS STRICTLY PROHIBITED AND ANY INFRINGEMENT THEREUPON MAY BE SUBJECT TO LEGAL ACTION.</small></p>		<p>CLIENT: EAGLE CARPORTS</p>	<p>SHT. 1A</p>	<p>DWG. NO SK-1</p>	<p>REV: 8</p>

DRAWING INDEX

SHEET 1	PE SEAL COVER SHEET (1 OF 2)
SHEET 1A	PE SEAL COVER SHEET (2 OF 2)
SHEET 2	DRAWING INDEX
SHEET 3	INSTALLATION NOTES AND SPECIFICATIONS
SHEET 4	TYPICAL SIDE AND END ELEVATIONS
SHEET 5	TYPICAL RAFTER/COLUMN END AND SIDE FRAMING SECTIONS (BOX EAVE RAFTER)
SHEET 5A	TYPICAL RAFTER/COLUMN END AND SIDE FRAMING SECTIONS (BOX EAVE RAFTER)
SHEET 6	TYPICAL RAFTER/COLUMN END AND SIDE FRAMING CONNECTION DETAILS (BOX EAVE RAFTER)
SHEET 6A	TYPICAL RAFTER/COLUMN END AND SIDE FRAMING CONNECTION DETAILS (BOX EAVE RAFTER)
SHEET 7	TYPICAL RAFTER/COLUMN END AND SIDE FRAMING SECTIONS (BOW EAVE RAFTER)
SHEET 7A	TYPICAL RAFTER/COLUMN END AND SIDE FRAMING SECTIONS (BOW EAVE RAFTER)
SHEET 8	TYPICAL RAFTER/COLUMN END AND SIDE FRAMING CONNECTION DETAILS (BOW EAVE RAFTER)
SHEET 8A	TYPICAL RAFTER/COLUMN END AND SIDE FRAMING CONNECTION DETAILS (BOW EAVE RAFTER)
SHEET 9	BASE RAIL ANCHORAGE OPTIONS
SHEET 10	BOX EAVE RAFTER GABLE END OPTION
SHEET 11	BOW EAVE RAFTER GABLE END OPTION
SHEET 12	CONNECTION DETAILS
SHEET 13	LEAN-TO OPTION (BOX EAVE RAFTER)
SHEET 13A	LEAN-TO OPTION (BOX EAVE RAFTER)
SHEET 13B	LEAN-TO OPTION (BOX EAVE RAFTER) (EXPOSURE B)
SHEET 13C	LEAN-TO OPTION (BOX EAVE RAFTER) (EXPOSURE C)
SHEET 14	LEAN-TO OPTION (BOW RAFTER)
SHEET 14A	LEAN-TO OPTION (BOW RAFTER) (EXPOSURE B)
SHEET 14B	LEAN-TO OPTION (BOW RAFTER) (EXPOSURE C)
SHEET 15	BOX EAVE RAFTER EXTRA SIDE PANEL OPTION
SHEET 16	BOW EAVE RAFTER EXTRA SIDE PANEL OPTION
SHEET 17	VERTICAL ROOF OPTION END AND SIDE ELEVATION AND SECTIONS

MOORE AND ASSOCIATES ENGINEERING AND CONSULTING, INC.	DRAWN BY: LT	EAGLE CARPORTS 210 AIRPORT ROAD MOUNT AIRY, NC 27030 30'-0"x20'-0" SP FULLY OPEN STRUCTURE		
	CHECKED BY: PDH	PROJECT MGR: WSM	DATE: 12-23-19	SCALE: NTS
THIS DOCUMENT IS THE PROPERTY OF MOORE AND ASSOCIATES ENGINEERING AND CONSULTING. THE UNAUTHORIZED REPRODUCTION, COPYING, OR OTHERWISE USE OF THIS DOCUMENT IS STRICTLY PROHIBITED AND ANY INFRINGEMENT THEREUPON MAY BE SUBJECT TO LEGAL ACTION.	CLIENT: EAGLE CARPORTS	SHT. 2	DWG. NO SK-1	JOB NO: 16166S/ 18012S/18260S/19320S REV: 8

INSTALLATION NOTES AND SPECIFICATIONS

1. DESIGN IS FOR MAXIMUM 30'-0" WIDE x 20'-0" EAVE HEIGHT OPEN CARPORT STRUCTURES.
2. DESIGN WAS DONE IN ACCORDANCE WITH THE 2017 FLORIDA BUILDING CODE (FBC) 6TH EDITION, 2018 NORTH CAROLINA BUILDING CODE, 2006 INTERNATIONAL BUILDING CODE (IBC), 2009 IBC, 2012 IBC, 2015 IBC AND 2018 IBC.
3. DESIGN LOADS ARE AS FOLLOWS:
 - A) DEAD LOAD = 15 PSF
 - B) LIVE LOAD = 12 PSF
 - C) GROUND SNOW LOAD = 35 PSF
 NOTE: DIFFERENTIAL LOADING DUE TO SNOW DRIFTING NOT ANALYZED
4. 3-SECOND GUST ULTIMATE WIND SPEED (V_{ULT}) 105 TO 140 MPH (NOMINAL WIND SPEED 81 TO 108 MPH)
5. MAXIMUM RAFTER/POST AND END POST SPACING = 5.0 FEET (UNLESS NOTED OTHERWISE).
6. END WALL COLUMNS (POSTS) ARE EQUIVALENT TO SIDE WALL POSTS IN SIZE AND SPACING (UNLESS NOTED OTHERWISE).
7. RISK CATEGORY I
8. WIND EXPOSURE CATEGORY B/C.
9. SPECIFICATIONS APPLICABLE TO 29 GAUGE METAL PANELS FASTENED DIRECTLY TO 2 1/2"x2 1/2"-14 GAUGE TUBE STEEL (TS) FRAMING MEMBERS.
10. AVERAGE FASTENER SPACING ON-CENTERS ALONG RAFTERS OR HAT CHANNELS, AND COLUMNS (INTERIOR OR END) = 10" O.C. (MAX)
11. FASTENERS CONSIST OF #12-14x3/4" SELF-DRILLING FASTENER (SDF), USE CONTROL SEAL WASHER WITH EXTERIOR FASTENERS. SPECIFICATIONS APPLICABLE ONLY FOR MEAN ROOF HEIGHT OF 20 FEET OR LESS, AND ROOF SLOPES OF 14' (3:12 PITCH) OR LESS SPACING REQUIREMENTS FOR OTHER ROOF HEIGHTS AND/OR SLOPES MAY VARY. ROOF SLOPES LESS THAN 3:12 REQUIRE USE OF LAP JOINT SEALANT.
12. ANCHORS SHALL BE INSTALLED THROUGH BASE RAIL WITHIN 6' OF EACH RAFTER COLUMN ALONG SIDES.
13. STANDARD GROUND ANCHORS (SOIL NAILS) CONSIST OF #4 REBAR W/ WELDED NUT x 36" LONG IN SUITABLE SOIL CONDITIONS. OPTIONAL ANCHORAGE MAY BE USED IN SUITABLE SOILS AND MUST BE USED IN UNSUITABLE SOILS AS NOTED.
14. WIND FORCES GOVERN OVER SEISMIC FORCES SEISMIC PARAMETERS ANALYZED ARE:
 - SOIL SITE CLASS = D
 - RISK CATEGORY I
 - R = 3.25 $I_E = 1.0$
 - $S_{DS} = 2.039 g$ V = $C_S W$
 - $S_{D1} = 1.258 g$

**MOORE AND ASSOCIATES
ENGINEERING AND CONSULTING, INC.**

DRAWN BY: LT

CHECKED BY: PDH

PROJECT MGR: WSM

CLIENT: EAGLE CARPORTS

**EAGLE CARPORTS
210 AIRPORT ROAD
MOUNT AIRY, NC 27030
30'-0"x20'-0" SP FULLY OPEN STRUCTURE**

DATE: 12-23-19

SHT. 3

SCALE: NTS

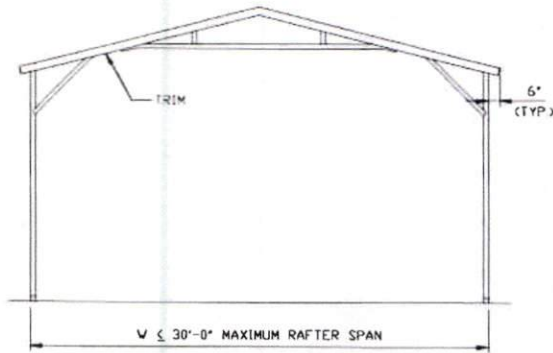
DWG. NO: SK-1

**JOB NO: 16166S/
18012S/18260S/19320S**

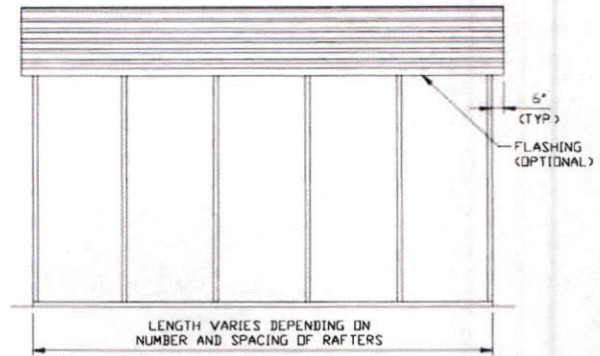
REV: 8

THIS DOCUMENT IS THE PROPERTY OF MOORE AND ASSOCIATES ENGINEERING AND CONSULTING. THE UNAUTHORIZED REPRODUCTION, COPYING, OR OTHERWISE USE OF THIS DOCUMENT IS STRICTLY PROHIBITED AND ANY INFRINGEMENT THEREUPON MAY BE SUBJECT TO LEGAL ACTION.

BOX EAVE FRAME RAFTER STRUCTURE

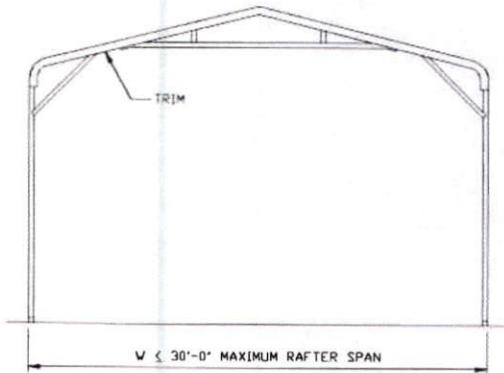


TYPICAL END ELEVATION
SCALE: NTS

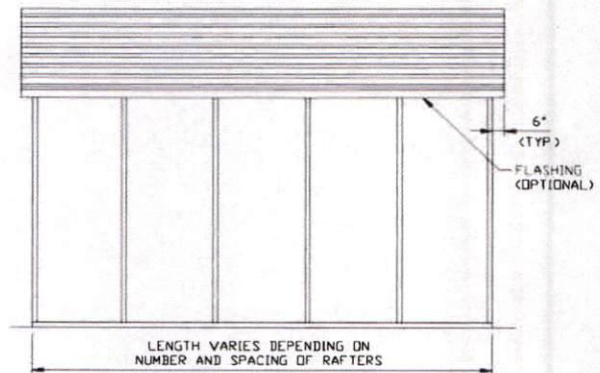


TYPICAL SIDE ELEVATION
SCALE: NTS

BOW EAVE FRAME RAFTER STRUCTURE



TYPICAL END ELEVATION
SCALE: NTS



TYPICAL SIDE ELEVATION
SCALE: NTS

**MOORE AND ASSOCIATES
ENGINEERING AND CONSULTING, INC.**

DRAWN BY: LT

CHECKED BY: PDH

PROJECT MGR: WSM

CLIENT: EAGLE CARPORTS

EAGLE CARPORTS
210 AIRPORT ROAD
MOUNT AIRY, NC 27030
30'-0"x20'-0" SP FULLY OPEN STRUCTURE

DATE: 12-23-19

SHT. 4

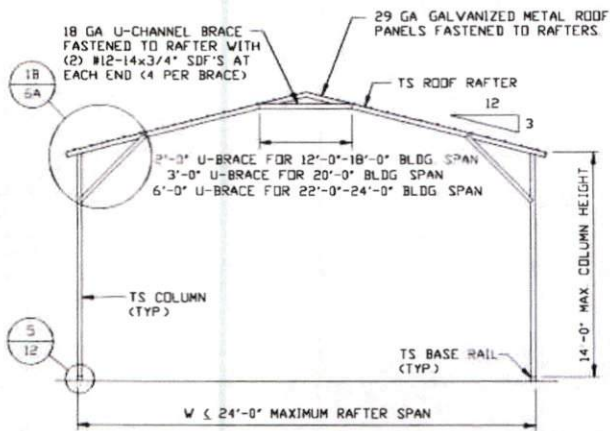
SCALE: NTS

DWG. NO SK-1

JOB NO: 16166S/
18012S/18260S/19320S

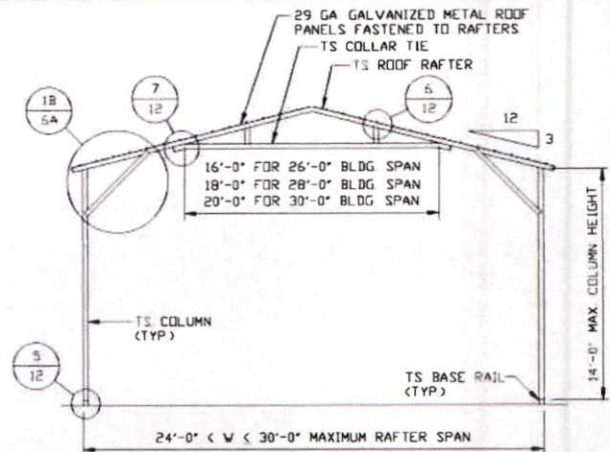
REV: 8

THIS DOCUMENT IS THE PROPERTY OF MOORE AND ASSOCIATES ENGINEERING AND CONSULTING. THE UNAUTHORIZED REPRODUCTION, COPYING, OR OTHERWISE USE OF THIS DOCUMENT IS STRICTLY PROHIBITED AND ANY INFRINGEMENT THEREUPON MAY BE SUBJECT TO LEGAL ACTION.



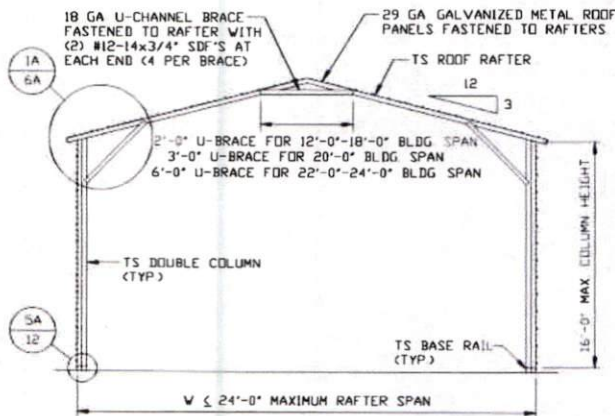
TYPICAL RAFTER/COLUMN END FRAME SECTION

SCALE: NTS



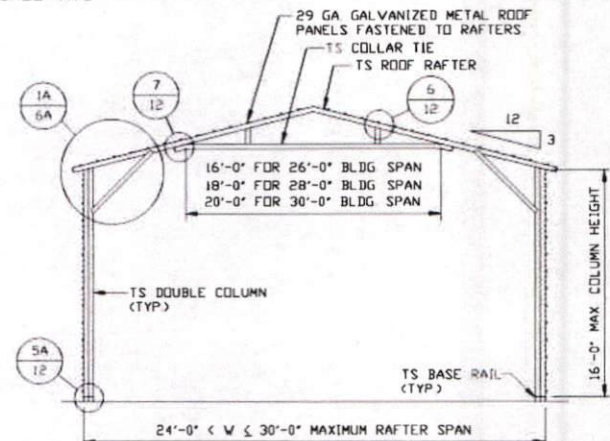
TYPICAL RAFTER/COLUMN END FRAME SECTION

SCALE: NTS



TYPICAL RAFTER/COLUMN END FRAME SECTION

SCALE: NTS



TYPICAL RAFTER/COLUMN END FRAME SECTION

SCALE: NTS

**MOORE AND ASSOCIATES
ENGINEERING AND CONSULTING, INC.**

DRAWN BY: LT

CHECKED BY: PDH

PROJECT MGR: WSM

CLIENT: EAGLE CARPORTS

EAGLE CARPORTS
210 AIRPORT ROAD
MOUNT AIRY, NC 27030
30'-0"x20'-0" SP FULLY OPEN STRUCTURE

DATE: 12-23-19

SHT. 5

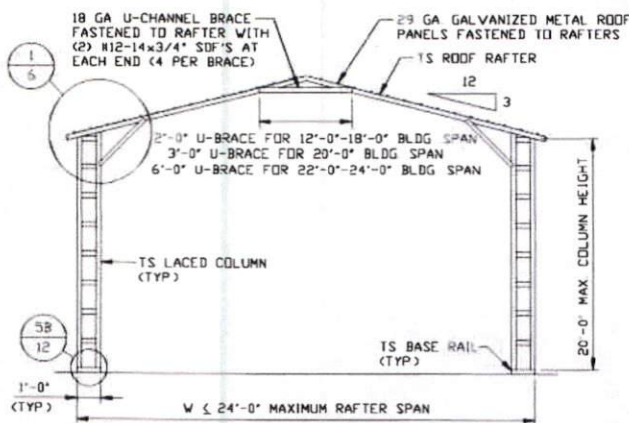
SCALE: NTS

DWG. NO: SK-1

JOB NO: 16166S/
18012S/18260S/19320S

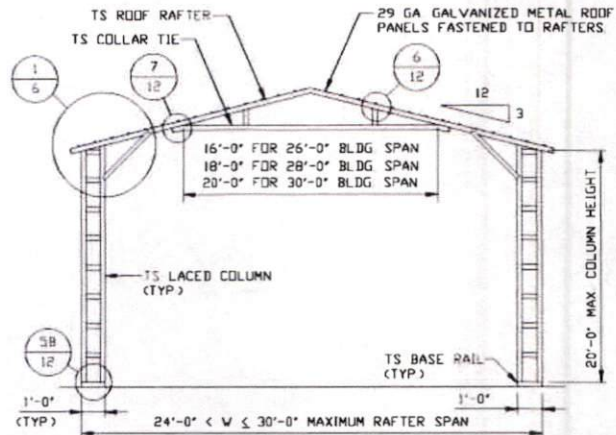
REV: 8

THIS DOCUMENT IS THE PROPERTY OF MOORE AND ASSOCIATES ENGINEERING AND CONSULTING. THE UNAUTHORIZED REPRODUCTION, COPYING, OR OTHERWISE USE OF THIS DOCUMENT IS STRICTLY PROHIBITED AND ANY INFRINGEMENT THEREUPON MAY BE SUBJECT TO LEGAL ACTION.



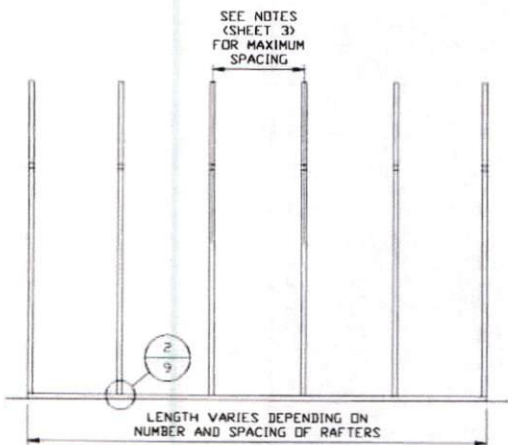
TYPICAL RAFTER/COLUMN END FRAME SECTION

SCALE: NTS



TYPICAL RAFTER/COLUMN END FRAME SECTION

SCALE: NTS



TYPICAL RAFTER/COLUMN SIDE FRAMING SECTION

SCALE: NTS

**MOORE AND ASSOCIATES
ENGINEERING AND CONSULTING, INC.**

DRAWN BY: LT

CHECKED BY: PDH

PROJECT MGR: WSM

CLIENT: EAGLE CARPORTS

EAGLE CARPORTS
210 AIRPORT ROAD
MOUNT AIRY, NC 27030
30'-0"x20'-0" SP FULLY OPEN STRUCTURE

DATE: 12-23-19

SHT. 5A

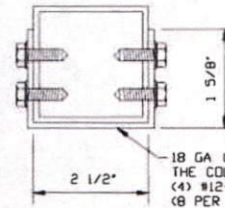
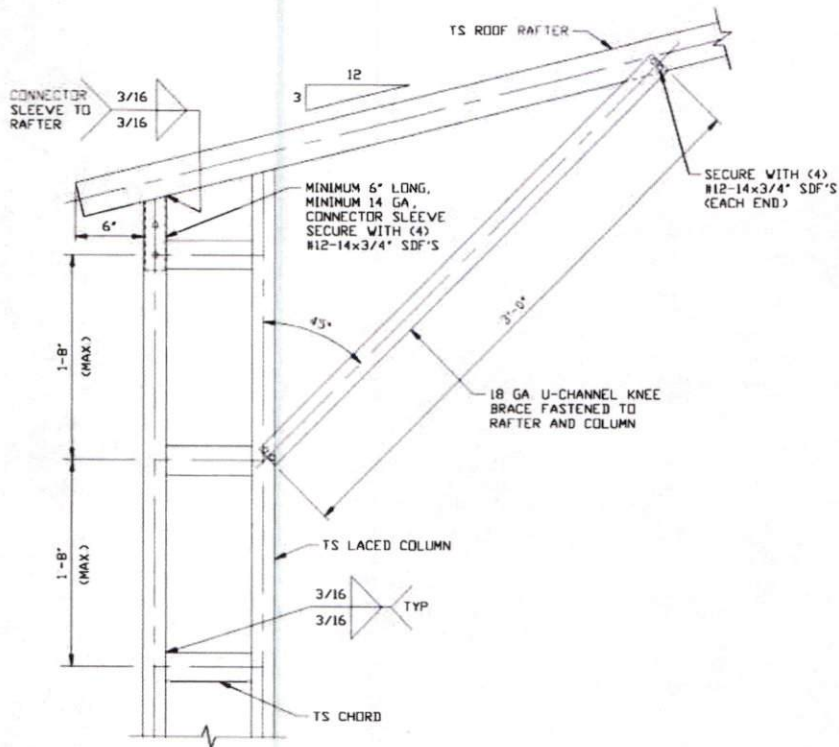
SCALE: NTS

DWG. NO: SK-1

JOB NO: 16166S/
18012S/18260S/19320S

REV: 8

THIS DOCUMENT IS THE PROPERTY OF MOORE AND ASSOCIATES ENGINEERING AND CONSULTING. THE UNAUTHORIZED REPRODUCTION, COPYING, OR OTHERWISE USE OF THIS DOCUMENT IS STRICTLY PROHIBITED AND ANY INFRACTION THEREUPON MAY BE SUBJECT TO LEGAL ACTION.



BRACE SECTION
SCALE: NTS

**BOX EAVE RAFTER COLUMN
CONNECTION DETAIL FOR
HEIGHTS 16'-0" < TO ≤ 20'-0"**
SCALE: NTS

1

**MOORE AND ASSOCIATES
ENGINEERING AND CONSULTING, INC.**

DRAWN BY: LT

CHECKED BY: PDH

PROJECT MGR: WSM

CLIENT: EAGLE CARPORTS

EAGLE CARPORTS
210 AIRPORT ROAD
MOUNT AIRY, NC 27030
30'-0"x20'-0" SP FULLY OPEN STRUCTURE

DATE: 12-23-19

SHT. 6

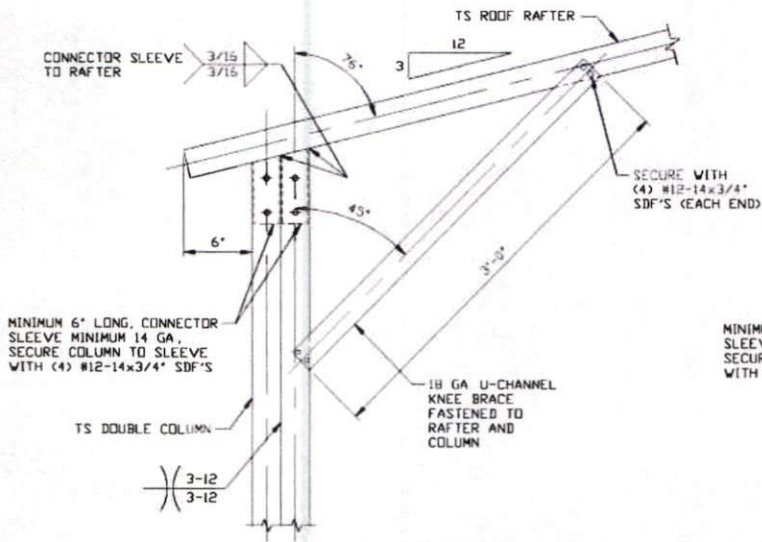
SCALE: NTS

DWG. NO SK-1

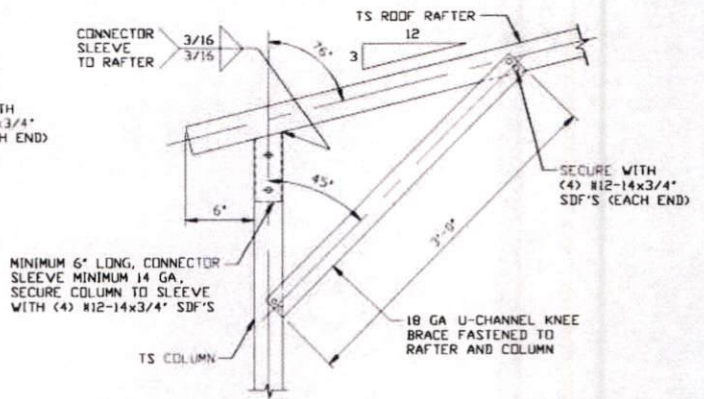
JOB NO: 16166S/
18012S/18260S/19320S

REV: 8

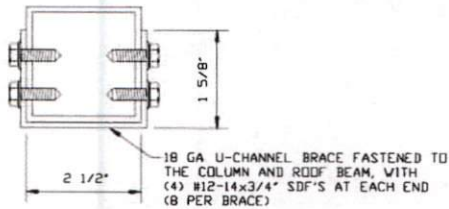
THIS DOCUMENT IS THE PROPERTY OF MOORE AND ASSOCIATES ENGINEERING AND CONSULTING. THE UNAUTHORIZED REPRODUCTION, COPYING, OR OTHERWISE USE OF THIS DOCUMENT IS STRICTLY PROHIBITED AND ANY INFRINGEMENT THEREUPON MAY BE SUBJECT TO LEGAL ACTION.



1A
BOX EAVE RAFTER COLUMN CONNECTION DETAIL FOR HEIGHTS 14'-0" < TO ≤ 16'-0"
 SCALE: NTS



1B
BOX EAVE RAFTER COLUMN CONNECTION DETAIL FOR HEIGHTS ≤ 14'-0"
 SCALE: NTS



BRACE SECTION
 SCALE: NTS

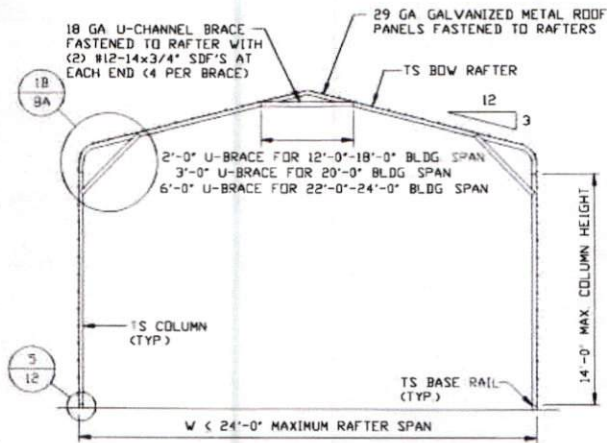
**MOORE AND ASSOCIATES
 ENGINEERING AND CONSULTING, INC.**

DRAWN BY: LT
CHECKED BY: PDH

EAGLE CARPORTS
 210 AIRPORT ROAD
 MOUNT AIRY, NC 27030
 30'-0"x20'-0" SP FULLY OPEN STRUCTURE

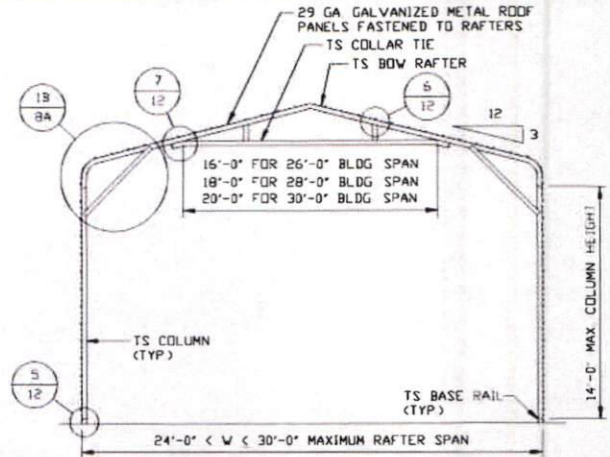
THIS DOCUMENT IS THE PROPERTY OF MOORE AND ASSOCIATES ENGINEERING AND CONSULTING. THE UNAUTHORIZED REPRODUCTION, COPYING, OR OTHERWISE USE OF THIS DOCUMENT IS STRICTLY PROHIBITED AND ANY INFRINGEMENT THEREUPON MAY BE SUBJECT TO LEGAL ACTION.

PROJECT MGR: WSM	DATE: 12-23-19	SCALE: NTS	JOB NO: 16166S/ 18012S/18260S/19320S
CLIENT: EAGLE CARPORTS	SHT. 6A	DWG. NO: SK-1	REV: 8



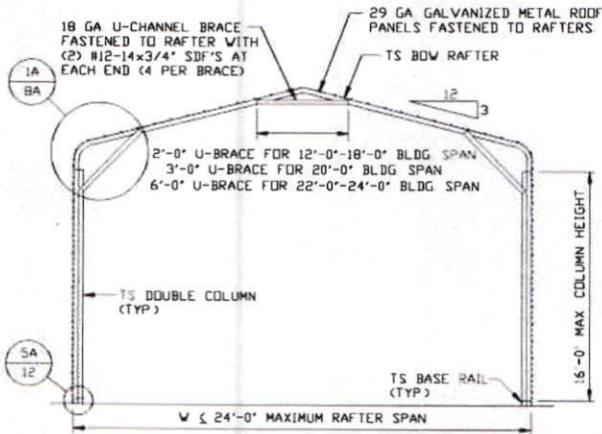
TYPICAL RAFTER/COLUMN END FRAME SECTION

SCALE: NTS



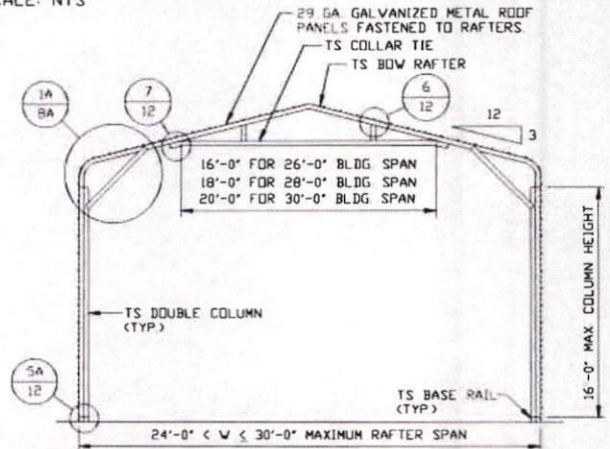
TYPICAL RAFTER/COLUMN END FRAME SECTION

SCALE: NTS



TYPICAL RAFTER/COLUMN END FRAME SECTION

SCALE: NTS



TYPICAL RAFTER/COLUMN END FRAME SECTION

SCALE: NTS

**MOORE AND ASSOCIATES
ENGINEERING AND CONSULTING, INC.**

DRAWN BY: LT

CHECKED BY: PDH

PROJECT MGR: WSM

CLIENT: EAGLE CARPORTS

EAGLE CARPORTS
210 AIRPORT ROAD
MOUNT AIRY, NC 27030
30'-0" x 20'-0" SP FULLY OPEN STRUCTURE

DATE: 12-23-19

SHT. 7

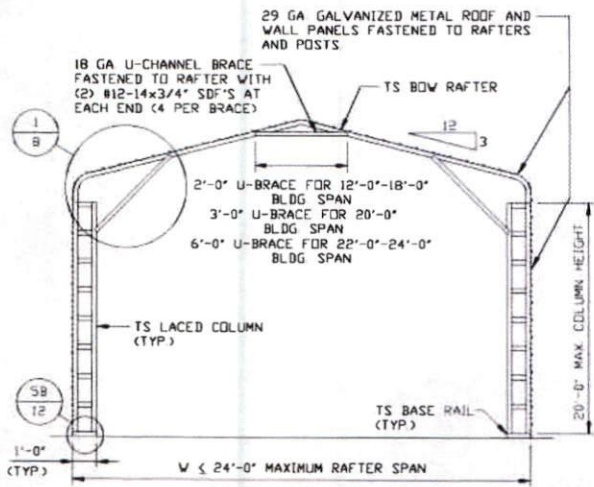
SCALE: NTS

DWG. NO: SK-1

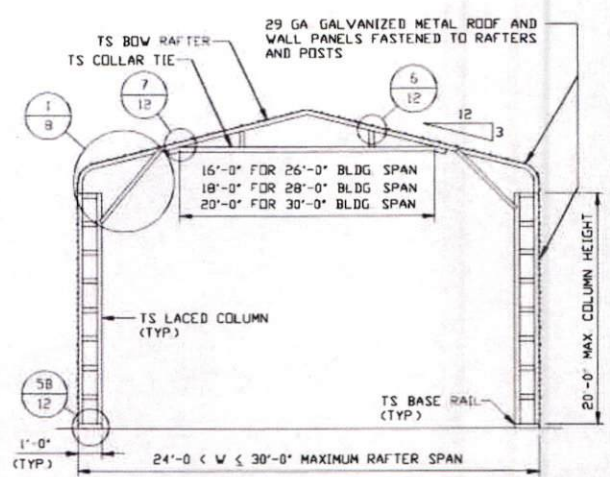
JOB NO: 16166S/
10012S/10260S/19320S

REV: 8

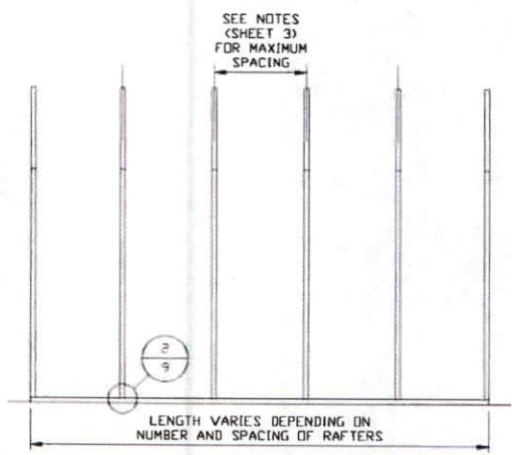
THIS DOCUMENT IS THE PROPERTY OF MOORE AND ASSOCIATES ENGINEERING AND CONSULTING. THE UNAUTHORIZED REPRODUCTION, COPYING, OR OTHERWISE USE OF THIS DOCUMENT IS STRICTLY PROHIBITED AND ANY INFRINGEMENT THEREUPON MAY BE SUBJECT TO LEGAL ACTION.



TYPICAL RAFTER/COLUMN END FRAME SECTION
 SCALE: NTS

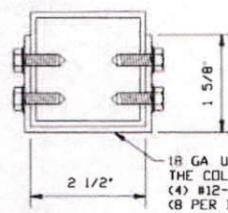
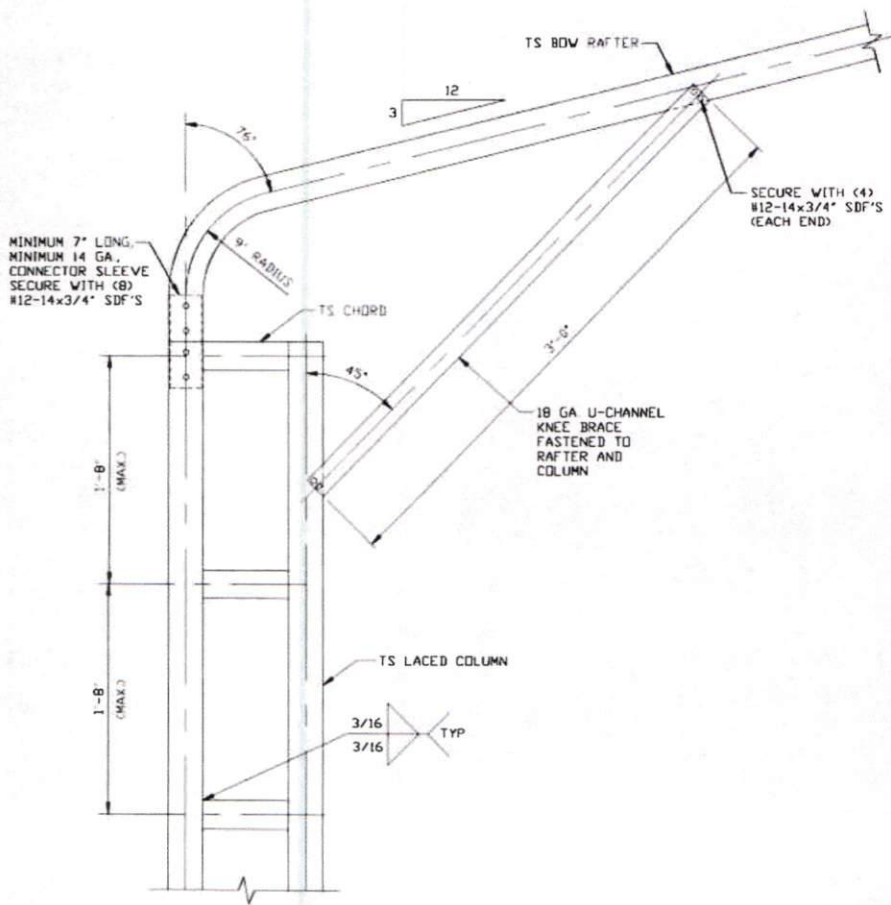


TYPICAL RAFTER/COLUMN END FRAME SECTION
 SCALE: NTS



TYPICAL RAFTER/COLUMN SIDE FRAMING SECTION
 SCALE: NTS

MOORE AND ASSOCIATES ENGINEERING AND CONSULTING, INC.	DRAWN BY: LT		EAGLE CARPORTS 210 AIRPORT ROAD MOUNT AIRY, NC 27030 30'-0"x20'-0" SP FULLY OPEN STRUCTURE	
	CHECKED BY: PDH			
THIS DOCUMENT IS THE PROPERTY OF MOORE AND ASSOCIATES ENGINEERING AND CONSULTING. THE UNAUTHORIZED REPRODUCTION, COPYING, OR OTHERWISE USE OF THIS DOCUMENT IS STRICTLY PROHIBITED AND ANY INFRINGEMENT THEREUPON MAY BE SUBJECT TO LEGAL ACTION.	PROJECT MGR: WSM	DATE: 12-23-19	SCALE: NTS	JOB NO: 16166S/ 18012S/18260S/19320S
	CLIENT: EAGLE CARPORTS	SHT. 7A	DWG. NO SK-1	REV: 8



BRACE SECTION
SCALE: NTS

BOW EAVE RAFTER COLUMN CONNECTION DETAIL FOR HEIGHTS 16'-0" < TO ≤ 20'-0"
SCALE: NTS

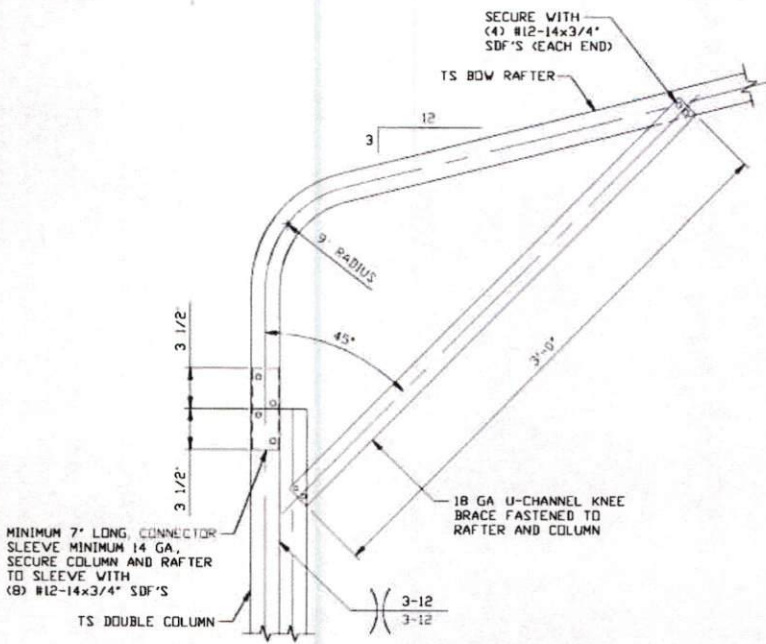
1

MOORE AND ASSOCIATES ENGINEERING AND CONSULTING, INC.

DRAWN BY: LT
 CHECKED BY: PDH
 PROJECT MGR: WSM
 CLIENT: EAGLE CARPORTS

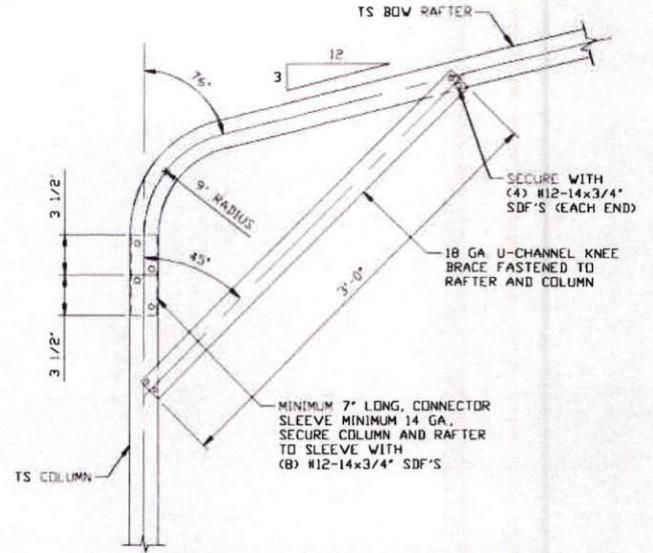
EAGLE CARPORTS
 210 AIRPORT ROAD
 MOUNT AIRY, NC 27030
 30'-0"x20'-0" SP FULLY OPEN STRUCTURE
 DATE: 12-23-19
 SCALE: NTS
 SHT. 8
 DWG. NO: SK-1
 JOB NO: 16166S/
 18012S/18260S/19320S
 REV: 8

THIS DOCUMENT IS THE PROPERTY OF MOORE AND ASSOCIATES ENGINEERING AND CONSULTING. THE UNAUTHORIZED REPRODUCTION, COPYING, OR OTHERWISE USE OF THIS DOCUMENT IS STRICTLY PROHIBITED AND ANY INFRINGEMENT THEREUPON MAY BE SUBJECT TO LEGAL ACTION.



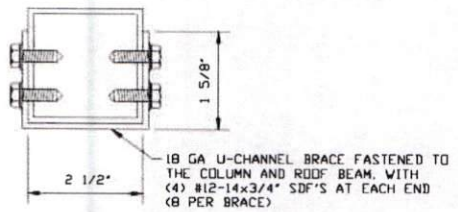
1A

BOW EAVE RAFTER COLUMN CONNECTION DETAIL FOR HEIGHTS 14'-0" < TO <= 16'-0"
SCALE: NTS



1B

BOW EAVE RAFTER COLUMN CONNECTION DETAIL FOR HEIGHTS <= 14'-0"
SCALE: NTS



BRACE SECTION
SCALE: NTS

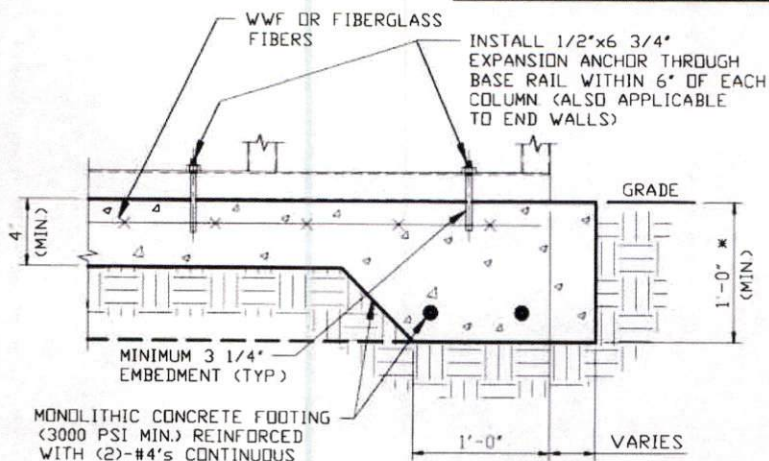
MOORE AND ASSOCIATES ENGINEERING AND CONSULTING, INC.

DRAWN BY: LT
CHECKED BY: PDH
PROJECT MGR: VSM
CLIENT: EAGLE CARPORTS

EAGLE CARPORTS
210 AIRPORT ROAD
MOUNT AIRY, NC 27030
30'-0"x20'-0" SP FULLY OPEN STRUCTURE
DATE: 12-23-19
SCALE: NTS
SHT. 8A
DWG. NO: SK-1
JOB NO: 16166S/
18012S/18260S/19320S
REV: 8

THIS DOCUMENT IS THE PROPERTY OF MOORE AND ASSOCIATES ENGINEERING AND CONSULTING. THE UNAUTHORIZED REPRODUCTION, COPYING, OR OTHERWISE USE OF THIS DOCUMENT IS STRICTLY PROHIBITED AND ANY INFRINGEMENT THEREUPON MAY BE SUBJECT TO LEGAL ACTION.

BASE RAIL ANCHORAGE OPTIONS

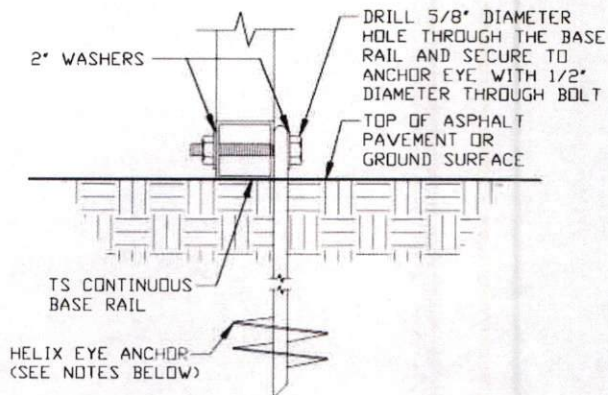


2A

CONCRETE MONOLITHIC SLAB BASE RAIL ANCHORAGE

SCALE: NTS
MINIMUM ANCHOR EDGE DISTANCE IS 4".

* COORDINATE WITH LOCAL BUILDING CODE
AND/OR BUILDING OFFICIAL REGARDING
REQUIRED FOOTING DEPTH



2B

GROUND BASE HELIX ANCHORAGE

SCALE: NTS (CAN BE USED FOR ASPHALT)

GENERAL NOTES

NOTE: CONCRETE MONOLITHIC SLAB DESIGN BASED ON MINIMUM
SOIL BEARING CAPACITY OF 1,500 PSF.

CONCRETE:

CONCRETE SHALL HAVE A MINIMUM SPECIFIED COMPRESSIVE
STRENGTH OF 3,000 PSI AT 28 DAYS.

COVER OVER REINFORCING STEEL:

FOR FOUNDATIONS, MINIMUM CONCRETE COVER OVER REINFORCING
BARS SHALL BE PER ACI-318:
3" IN FOUNDATIONS WHERE THE CONCRETE IS CAST AGAINST AND
PERMANENTLY IN CONTACT WITH THE EARTH OR EXPOSED TO THE
EARTH OR WEATHER, AND 1 1/2" ELSEWHERE.

REINFORCING STEEL:

THE TURNDOWN REINFORCING STEEL SHALL BE ASTM A615 GRADE
60 THE SLAB REINFORCEMENT SHALL BE WELDED WIRE FABRIC
MEETING ASTM A185 OR FIBERGLASS FIBER REINFORCEMENT.

REINFORCEMENT MAY BE BENT IN THE SHOP OR THE FIELD PROVIDED:

1. REINFORCEMENT IS BENT COLD.
2. THE DIAMETER OF THE BEND, MEASURED ON THE INSIDE OF THE
BAR, IS NOT LESS THAN SIX-BAR DIAMETERS.
3. REINFORCEMENT PARTIALLY EMBEDDED IN CONCRETE SHALL NOT
BE FIELD BENT.

HELIX ANCHOR NOTES:

1. FOR VERY DENSE AND/OR CEMENTED SANDS, COARSE GRAVEL
AND COBBLES, CALICHE, PRELOADED SILTS AND CLAYS, USE
MINIMUM (2) 4" HELICES WITH MINIMUM 30" EMBEDMENT OR
SINGLE 6" HELIX WITH MINIMUM 50" EMBEDMENT
2. FOR CORAL USE MINIMUM (2) 4" HELICES WITH MINIMUM
30" EMBEDMENT OR SINGLE 6" HELIX WITH MINIMUM
50" EMBEDMENT
3. FOR MEDIUM DENSE COARSE SANDS, SANDY GRAVELS, VERY
STIFF SILTS, AND CLAYS USE MINIMUM (2) 4" HELICES WITH
MINIMUM 30 INCH EMBEDMENT OR SINGLE 6" HELIX WITH MINIMUM
50" EMBEDMENT
4. FOR LOOSE TO MEDIUM DENSE SANDS, FIRM TO STIFF CLAYS AND
SILTS ALLUVIAL FILL, USE MINIMUM (2) 6" HELICES WITH MINIMUM
50" EMBEDMENT
5. FOR VERY LOSE TO MEDIUM DENSE SANDS, FIRM TO STIFFER
CLAYS AND SILTS, ALLUVIAL FILL, USE MINIMUM (2) 8" HELICES
WITH MINIMUM 60" EMBEDMENT.

**MOORE AND ASSOCIATES
ENGINEERING AND CONSULTING, INC.**

DRAWN BY: LT

CHECKED BY: PDH

PROJECT MGR: WSM

CLIENT: EAGLE CARPORTS

EAGLE CARPORTS
210 AIRPORT ROAD
MOUNT AIRY, NC 27030
30'-0" x 20'-0" SP FULLY OPEN STRUCTURE

DATE: 12-23-19

SHT. 9

SCALE: NTS

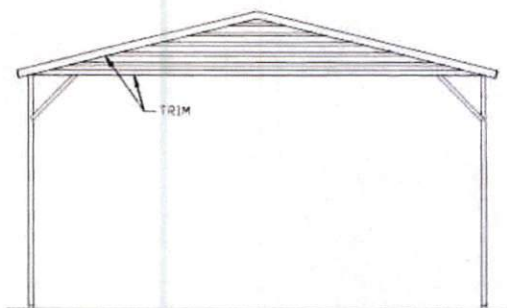
DWG. NO.: SK-1

JOB NO.: 16166S/
18012S/18260S/19320S

REV.: 8

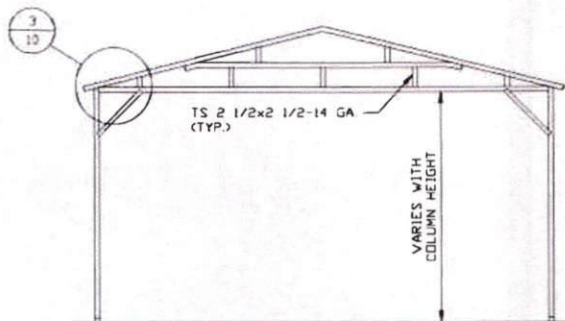
THIS DOCUMENT IS THE PROPERTY OF MOORE AND ASSOCIATES ENGINEERING AND
CONSULTING. THE UNAUTHORIZED REPRODUCTION, COPYING, OR OTHERWISE USE OF
THIS DOCUMENT IS STRICTLY PROHIBITED AND ANY INFRINGEMENT THEREUPON MAY
BE SUBJECT TO LEGAL ACTION.

BOX EAVE RAFTER GABLE END OPTION



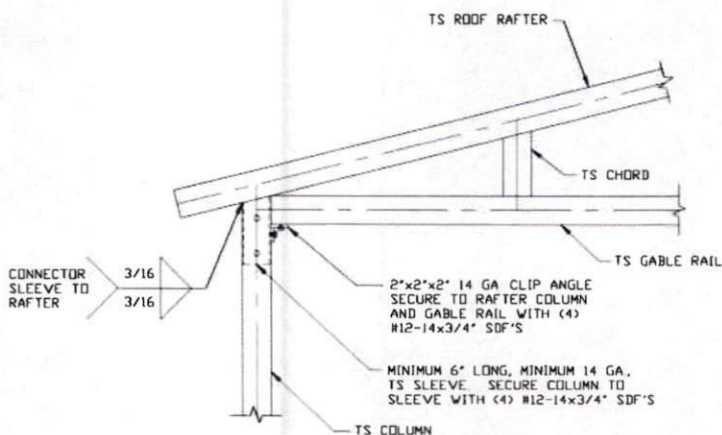
TYPICAL BOX EAVE RAFTER GABLE END ELEVATION

SCALE: NTS



TYPICAL BOX EAVE RAFTER GABLE END FRAMING SECTION

SCALE: NTS



3

BOX EAVE RAFTER GABLE RAIL TO RAFTER COLUMN CONNECTION DETAIL

SCALE: NTS

NOTE: KNEE BRACE NOT SHOWN FOR CLARITY

**MOORE AND ASSOCIATES
ENGINEERING AND CONSULTING, INC.**

DRAWN BY: LT

CHECKED BY: PDH

PROJECT MGR: WSM

CLIENT: EAGLE CARPORTS

EAGLE CARPORTS
210 AIRPORT ROAD
MOUNT AIRY, NC 27030
30'-0"x20'-0" SP FULLY OPEN STRUCTURE

DATE: 12-23-19

SHT. 10

SCALE: NTS

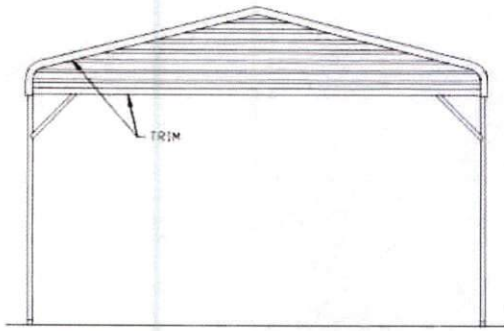
DWG. NO: SK-1

JOB NO: 16166S/
18012S/18260S/19320S

REV: 8

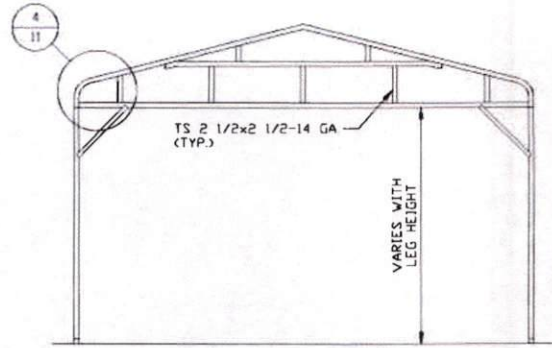
THIS DOCUMENT IS THE PROPERTY OF MOORE AND ASSOCIATES ENGINEERING AND CONSULTING. THE UNAUTHORIZED REPRODUCTION, COPYING, OR OTHERWISE USE OF THIS DOCUMENT IS STRICTLY PROHIBITED AND ANY INFRINGEMENT THEREUPON MAY BE SUBJECT TO LEGAL ACTION.

BOW EAVE RAFTER GABLE END OPTION



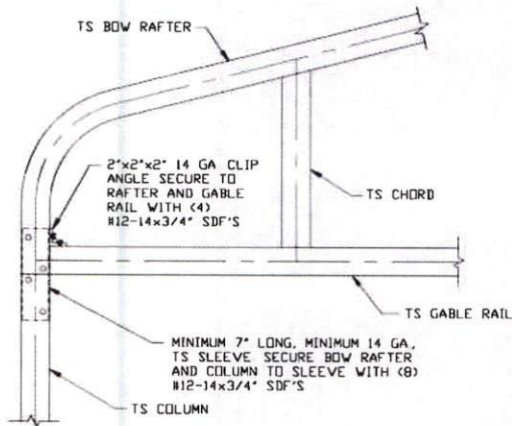
TYPICAL BOW RAFTER GABLE END ELEVATION

SCALE: NTS



TYPICAL BOW RAFTER GABLE END FRAMING SECTION

SCALE: NTS



BOW RAFTER GABLE RAIL TO RAFTER/COLUMN CONNECTION DETAIL

SCALE: NTS

NOTE: KNEE BRACE NOT SHOWN FOR CLARITY.

4

**MOORE AND ASSOCIATES
ENGINEERING AND CONSULTING, INC.**

DRAWN BY: LT

CHECKED BY: PDH

PROJECT MGR: VSM

CLIENT: EAGLE CARPORTS

**EAGLE CARPORTS
210 AIRPORT ROAD
MOUNT AIRY, NC 27030
30'-0"x20'-0" SP FULLY OPEN STRUCTURE**

DATE: 12-23-19

SHT. 11

SCALE: NTS

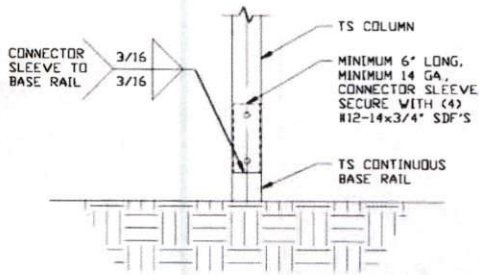
DWG. NO: SK-1

**JOB NO: 16166S/
18012S/18260S/19320S**

REV: 8

THIS DOCUMENT IS THE PROPERTY OF MOORE AND ASSOCIATES ENGINEERING AND CONSULTING. THE UNAUTHORIZED REPRODUCTION, COPYING, OR OTHERWISE USE OF THIS DOCUMENT IS STRICTLY PROHIBITED AND ANY INFRINGEMENT THEREUPON MAY BE SUBJECT TO LEGAL ACTION.

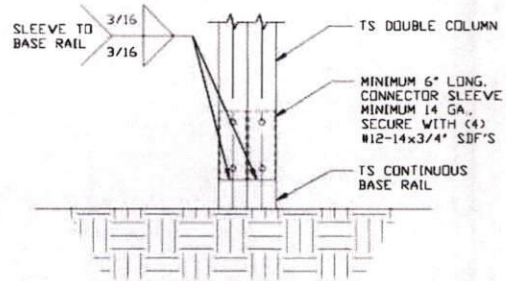
CONNECTION DETAILS



5

RAFTER COLUMN/BASE RAIL CONNECTION DETAIL

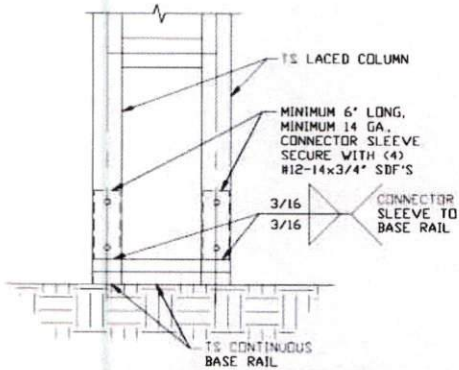
SCALE: NTS



5A

RAFTER COLUMN/BASE RAIL CONNECTION DETAIL

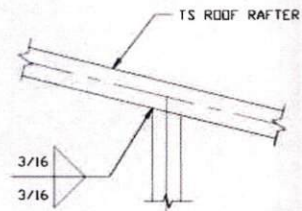
SCALE: NTS



5B

RAFTER COLUMN/BASE RAIL CONNECTION DETAIL

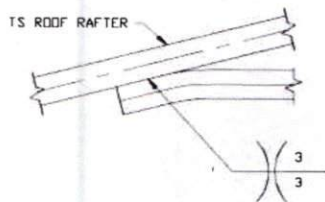
SCALE: NTS



6

RAFTER TO CHORD CONNECTION DETAIL

SCALE: NTS



7

COLLAR TIE CONNECTION DETAIL

SCALE: NTS

**MOORE AND ASSOCIATES
ENGINEERING AND CONSULTING, INC.**

DRAWN BY: LT

CHECKED BY: PDH

PROJECT MGR: VSM

CLIENT: EAGLE CARPORTS

**EAGLE CARPORTS
210 AIRPORT ROAD
MOUNT AIRY, NC 27030
30'-0" x 20'-0" SP FULLY OPEN STRUCTURE**

DATE: 12-23-19

SHT. 12

SCALE: NTS

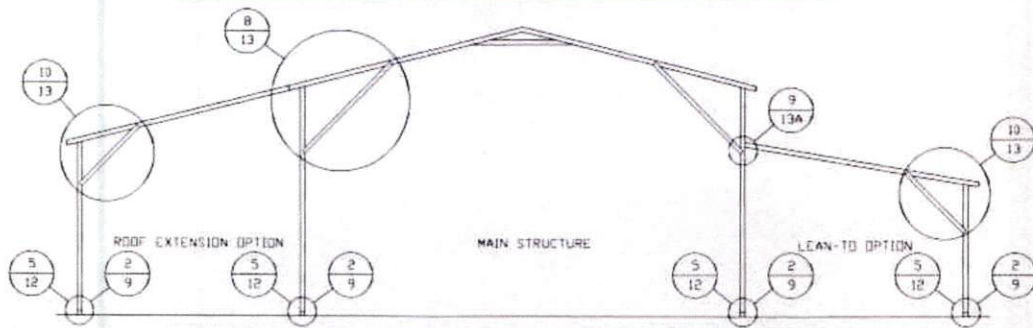
DWG. NO: SK-1

**JOB NO: 16166S/
18012S/18260S/19320S**

REV: 8

THIS DOCUMENT IS THE PROPERTY OF MOORE AND ASSOCIATES ENGINEERING AND CONSULTING. THE UNAUTHORIZED REPRODUCTION, COPYING, OR OTHERWISE USE OF THIS DOCUMENT IS STRICTLY PROHIBITED AND ANY INFRINGEMENT THEREUPON MAY BE SUBJECT TO LEGAL ACTION.

BOX EAVE RAFTER LEAN-TO OPTIONS

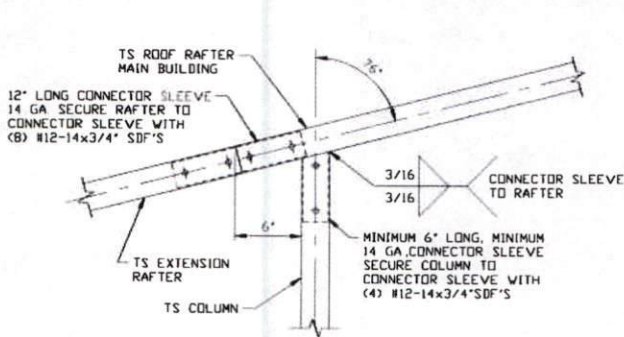


TYPICAL BOX EAVE RAFTER LEAN-TO OPTIONS FRAMING SECTION (BOTH OPTIONS SHOWN)

SCALE: NTS

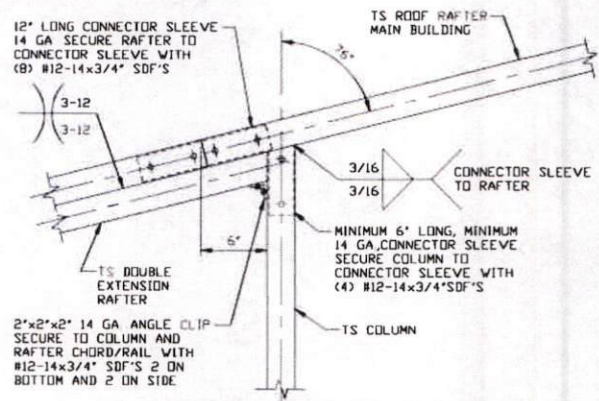
MAXIMUM WIDTH OF SINGLE MEMBER (RAFTER AND COLUMN) ROOF EXTENSION AND LEAN-TO IS 12'-0"

MAXIMUM WIDTH OF DOUBLE MEMBER (RAFTER AND COLUMN) ROOF EXTENSION AND LEAN-TO IS 15'-0"



8 SIDE EXTENSION RAFTER/ COLUMN DETAIL FOR RAFTER SPANS $\leq 12'-0''$

SCALE: NTS



8A SIDE EXTENSION RAFTER/ COLUMN DETAIL FOR RAFTER SPANS $12'-0'' < TO \leq 15'-0''$

SCALE: NTS

**MOORE AND ASSOCIATES
ENGINEERING AND CONSULTING, INC.**

DRAWN BY: LT

CHECKED BY: PDH

PROJECT MGR: VSM

CLIENT: EAGLE CARPORTS

**EAGLE CARPORTS
210 AIRPORT ROAD
MOUNT AIRY, NC 27030
30'-0" x 20'-0" SP FULLY OPEN STRUCTURE**

DATE: 12-23-19

SHT. 13

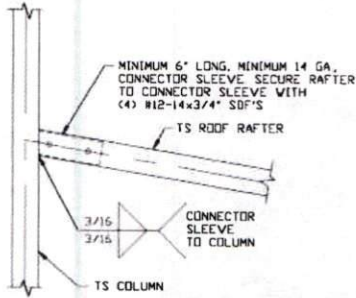
SCALE: NTS

DWG. NO: SK-1

**JOB NO: 16166S/
18012S/18260S/19320S**

REV: 8

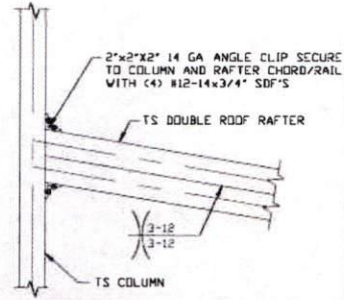
THIS DOCUMENT IS THE PROPERTY OF MOORE AND ASSOCIATES ENGINEERING AND CONSULTING. THE UNAUTHORIZED REPRODUCTION, COPYING, OR OTHERWISE USE OF THIS DOCUMENT IS STRICTLY PROHIBITED AND ANY INFRINGEMENT THEREUPON MAY BE SUBJECT TO LEGAL ACTION.



**LEAN-TO RAFTER TO RAFTER
COLUMN CONNECTION DETAIL
FOR RAFTER SPANS $\leq 12'-0''$**

SCALE: NTS

9



**LEAN-TO RAFTER TO RAFTER
COLUMN CONNECTION DETAIL
FOR RAFTER SPANS $12'-0'' < \text{TO} \leq 15'-0''$**

SCALE: NTS

9A

**MOORE AND ASSOCIATES
ENGINEERING AND CONSULTING, INC.**

DRAWN BY: LT

CHECKED BY: PDH

PROJECT MGR: WSM

CLIENT: EAGLE CARPORTS

EAGLE CARPORTS
210 AIRPORT ROAD
MOUNT AIRY, NC 27030
30'-0"x20'-0" SP FULLY OPEN STRUCTURE

DATE: 12-23-19

SHT. 13A

SCALE: NTS

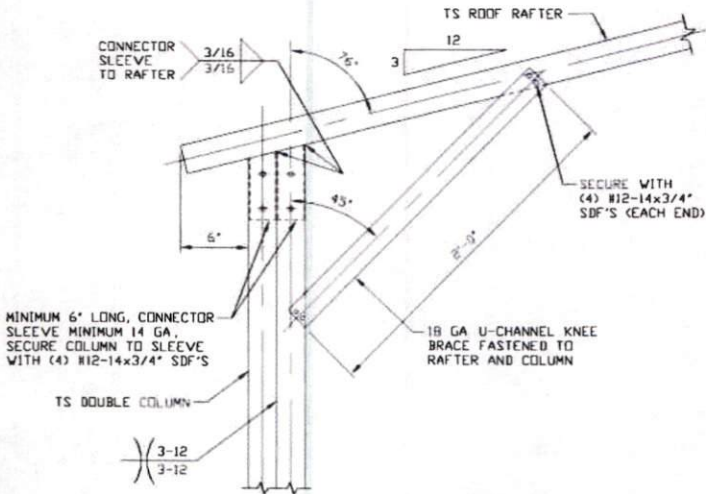
DWG. NO: SK-1

JOB NO: 16166S/
18012S/18260S/19320S

REV: 8

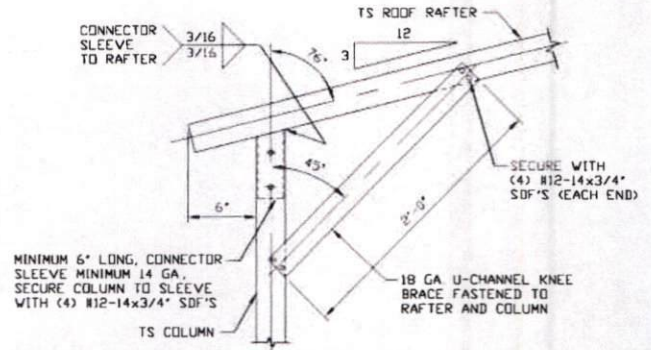
THIS DOCUMENT IS THE PROPERTY OF MOORE AND ASSOCIATES ENGINEERING AND CONSULTING. THE UNAUTHORIZED REPRODUCTION, COPYING, OR OTHERWISE USE OF THIS DOCUMENT IS STRICTLY PROHIBITED AND ANY INFRINGEMENT THEREUPON MAY BE SUBJECT TO LEGAL ACTION.

BOX EAVE RAFTER LEAN-TO OPTION - EXPOSURE B



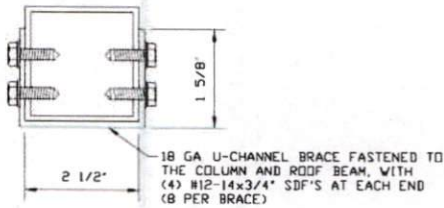
10 BOX EAVE RAFTER COLUMN CONNECTION
DETAIL FOR HEIGHTS 14'-0" < TO ≤ 16'-0"

SCALE: NTS
HORSE BARN OPTION (REQUIRES A LEAN-TO ON BOTH SIDES OF THE MAIN BUILDING).



10A BOX EAVE RAFTER COLUMN CONNECTION
DETAIL FOR HEIGHTS ≤ 14'-0"

SCALE: NTS
HORSE BARN OPTION (REQUIRES A LEAN-TO ON BOTH SIDES OF THE MAIN BUILDING).



BRACE SECTION
SCALE: NTS

**MOORE AND ASSOCIATES
ENGINEERING AND CONSULTING, INC.**

DRAWN BY: LT

CHECKED BY: PDH

PROJECT MGR: WSM

CLIENT: EAGLE CARPORTS

EAGLE CARPORTS
210 AIRPORT ROAD
MOUNT AIRY, NC 27030
30'-0" x 20'-0" SP FULLY OPEN STRUCTURE

DATE: 12-23-19

SHT. 13B

SCALE: NTS

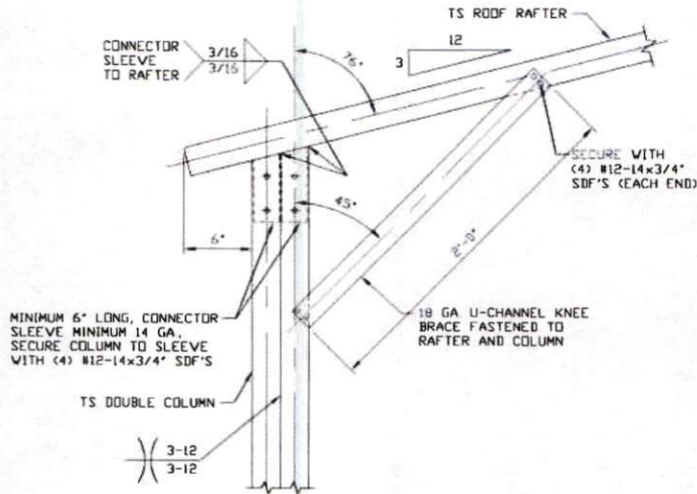
DWG. NO: SK-1

JOB NO: 16166S/
18012S/18260S/19320S

REV: 8

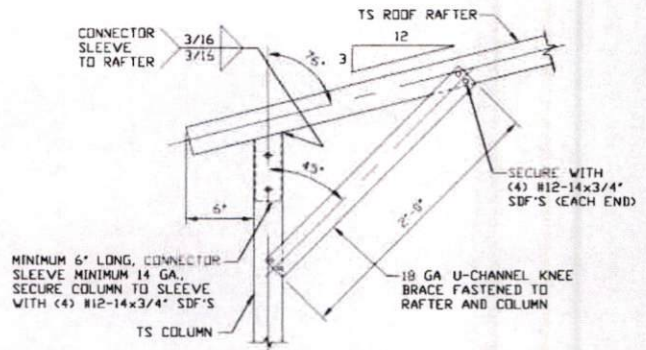
THIS DOCUMENT IS THE PROPERTY OF MOORE AND ASSOCIATES ENGINEERING AND CONSULTING. THE UNAUTHORIZED REPRODUCTION, COPYING, OR OTHERWISE USE OF THIS DOCUMENT IS STRICTLY PROHIBITED AND ANY INFRINGEMENT THEREUPON MAY BE SUBJECT TO LEGAL ACTION.

BOX EAVE RAFTER LEAN-TO OPTION - EXPOSURE C



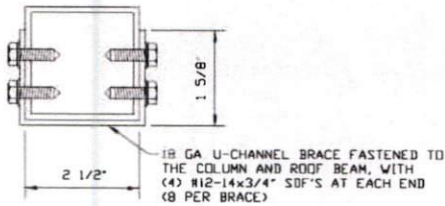
10B BOX EAVE RAFTER COLUMN CONNECTION DETAIL FOR HEIGHTS 14'-0" < TO ≤ 16'-0"

SCALE: NTS
HORSE BARN OPTION (REQUIRES A LEAN-TO ON BOTH SIDES OF THE MAIN BUILDING)



10C BOX EAVE RAFTER COLUMN CONNECTION DETAIL FOR HEIGHTS ≤ 14'-0"

SCALE: NTS
HORSE BARN OPTION (REQUIRES A LEAN-TO ON BOTH SIDES OF THE MAIN BUILDING)



BRACE SECTION
SCALE: NTS

**MOORE AND ASSOCIATES
ENGINEERING AND CONSULTING, INC.**

DRAWN BY: LT

CHECKED BY: PDH

PROJECT MGR: WSH

CLIENT: EAGLE CARPORTS

EAGLE CARPORTS
210 AIRPORT ROAD
MOUNT AIRY, NC 27030
30'-0" x 20'-0" SP FULLY OPEN STRUCTURE

DATE: 12-23-19

SCALE: NTS

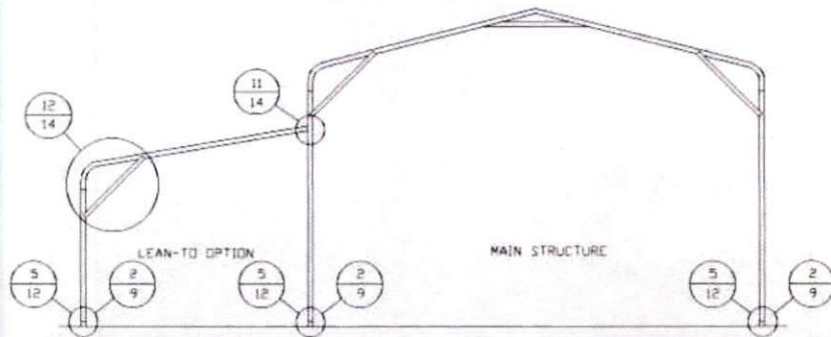
DWG. NO: SK-1

JOB NO: 16166S/
18012S/18260S/19320S

REV: 8

THIS DOCUMENT IS THE PROPERTY OF MOORE AND ASSOCIATES ENGINEERING AND CONSULTING. THE UNAUTHORIZED REPRODUCTION, COPYING, OR OTHERWISE USE OF THIS DOCUMENT IS STRICTLY PROHIBITED AND ANY INFRINGEMENT THEREUPON MAY BE SUBJECT TO LEGAL ACTION.

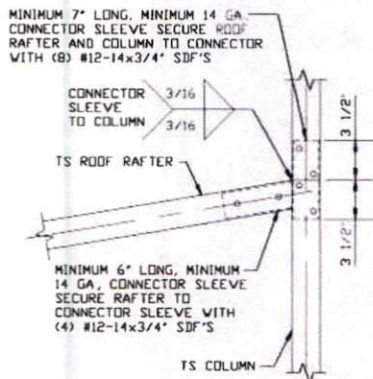
BOW RAFTER LEAN-TO OPTION



TYPICAL BOW RAFTER LEAN-TO OPTION FRAMING SECTION

SCALE: NTS

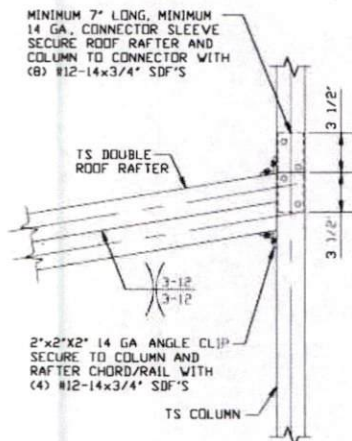
MAXIMUM WIDTH OF SINGLE MEMBER (RAFTER AND COLUMN) ROOF EXTENSION AND LEAN-TO IS 12'-0"
 MAXIMUM WIDTH OF DOUBLE MEMBER (RAFTER AND COLUMN) ROOF EXTENSION AND LEAN-TO IS 15'-0"



LEAN-TO RAFTER TO RAFTER COLUMN CONNECTION DETAIL FOR RAFTER SPANS \leq 12'-0"

11

SCALE: NTS



LEAN-TO RAFTER TO RAFTER COLUMN CONNECTION DETAIL FOR RAFTER SPANS 12'-0" < TO \leq 15'-0"

11A

SCALE: NTS

**MOORE AND ASSOCIATES
ENGINEERING AND CONSULTING, INC.**

DRAWN BY: LT

CHECKED BY: PDH

PROJECT MGR: VSM

CLIENT: EAGLE CARPORTS

EAGLE CARPORTS
210 AIRPORT ROAD
MOUNT AIRY, NC 27030
30'-0" x 20'-0" SP FULLY OPEN STRUCTURE

DATE: 12-23-19

SHT. 14

SCALE: NTS

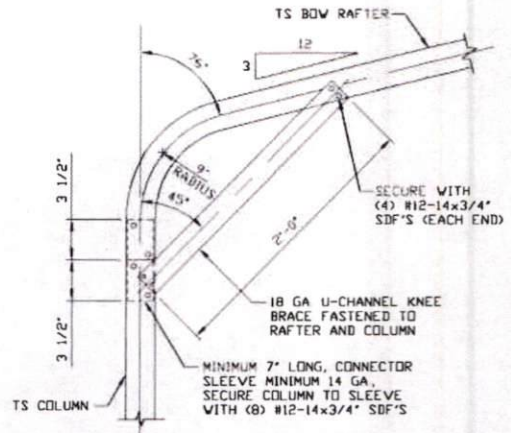
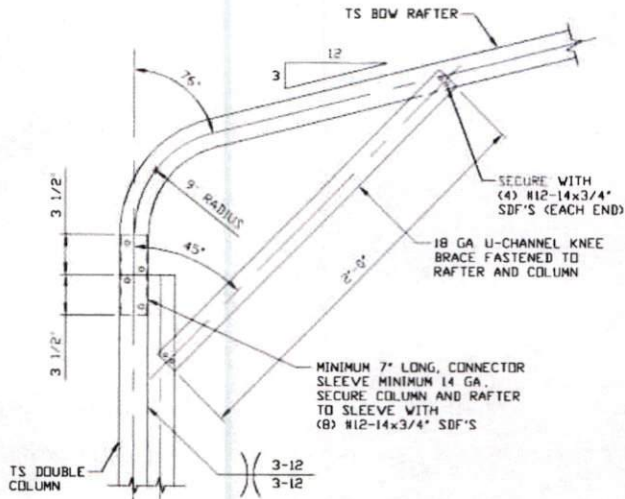
DWG. NO. SK-1

JOB NO: 16166S/
18012S/18260S/19320S

REV: 8

THIS DOCUMENT IS THE PROPERTY OF MOORE AND ASSOCIATES ENGINEERING AND CONSULTING. THE UNAUTHORIZED REPRODUCTION, COPYING, OR OTHERWISE USE OF THIS DOCUMENT IS STRICTLY PROHIBITED AND ANY INFRINGEMENT THEREUPON MAY BE SUBJECT TO LEGAL ACTION.

BOW RAFTER LEAN-TO OPTION - EXPOSURE B



12

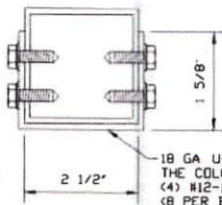
BOW EAVE RAFTER COLUMN CONNECTION DETAIL FOR HEIGHTS 14'-0" < TO ≤ 16'-0"

SCALE: NTS
HORSE BARN OPTION (REQUIRES A LEAN-TO ON BOTH SIDES OF THE MAIN BUILDING)

12A

BOW EAVE RAFTER COLUMN CONNECTION DETAIL FOR HEIGHTS ≤ 14'-0"

SCALE: NTS
HORSE BARN OPTION (REQUIRES A LEAN-TO ON BOTH SIDES OF THE MAIN BUILDING)



18 GA U-CHANNEL BRACE FASTENED TO THE COLUMN AND ROOF BEAM, WITH (4) #12-14x3/4" SDF'S AT EACH END (8 PER BRACE)

BRACE SECTION

SCALE: NTS

**MOORE AND ASSOCIATES
ENGINEERING AND CONSULTING, INC.**

DRAWN BY: LT

CHECKED BY: PDH

PROJECT MGR: VSM

CLIENT: EAGLE CARPORTS

EAGLE CARPORTS
210 AIRPORT ROAD
MOUNT AIRY, NC 27030
30'-0" x 20'-0" SP FULLY OPEN STRUCTURE

DATE: 12-23-19

SHT. 14A

SCALE: NTS

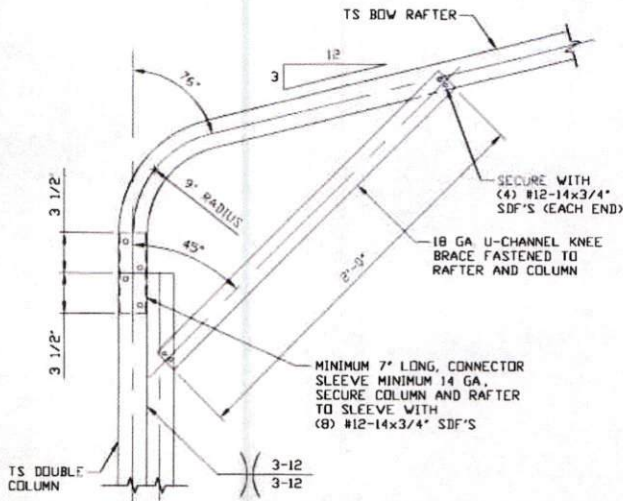
DWG. NO: SK-1

JOB NO: 16166S/
18012S/18260S/19320S

REV: 8

THIS DOCUMENT IS THE PROPERTY OF MOORE AND ASSOCIATES ENGINEERING AND CONSULTING. THE UNAUTHORIZED REPRODUCTION, COPYING, OR OTHERWISE USE OF THIS DOCUMENT IS STRICTLY PROHIBITED AND ANY INFRINGEMENT THEREUPON MAY BE SUBJECT TO LEGAL ACTION.

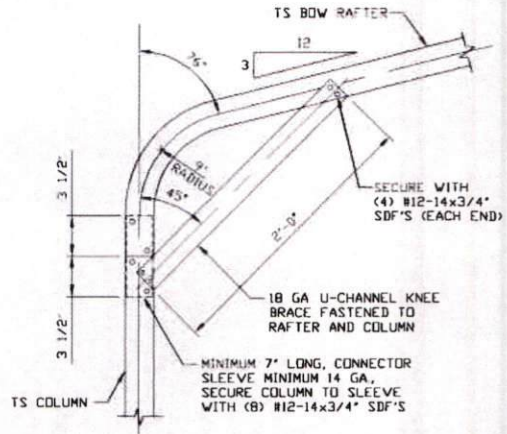
BOW RAFTER LEAN-TO OPTION - EXPOSURE C



12B

BOW EAVE RAFTER COLUMN CONNECTION DETAIL FOR HEIGHTS 14'-0" < TO <= 16'-0"

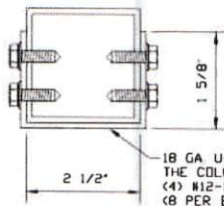
SCALE: NTS
HORSE BARN OPTION (REQUIRES A LEAN-TO
ON BOTH SIDES OF THE MAIN BUILDING).



12C

BOW EAVE RAFTER COLUMN CONNECTION DETAIL FOR HEIGHTS <= 14'-0"

SCALE: NTS
HORSE BARN OPTION (REQUIRES A LEAN-TO
ON BOTH SIDES OF THE MAIN BUILDING).



BRACE SECTION

SCALE: NTS

MOORE AND ASSOCIATES
ENGINEERING AND CONSULTING, INC.

DRAWN BY: LT

CHECKED BY: PDH

PROJECT MGR: VSM

CLIENT: EAGLE CARPORTS

EAGLE CARPORTS
210 AIRPORT ROAD
MOUNT AIRY, NC 27030
30'-0" x 20'-0" SP FULLY OPEN STRUCTURE

DATE: 12-23-19

SHT. 14B

SCALE: NTS

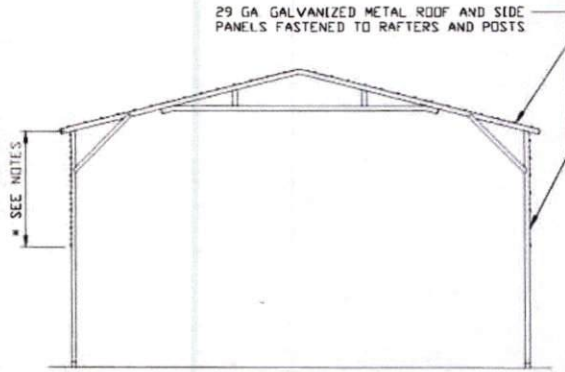
DWG. NO: SK-1

JOB NO: 16166S/
18012S/18260S/19320S

REV: 8

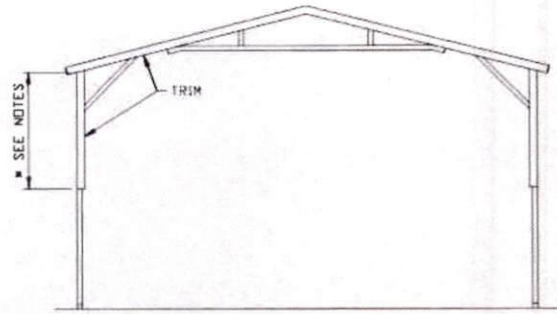
THIS DOCUMENT IS THE PROPERTY OF MOORE AND ASSOCIATES ENGINEERING AND CONSULTING. THE UNAUTHORIZED REPRODUCTION, COPYING, OR OTHERWISE USE OF THIS DOCUMENT IS STRICTLY PROHIBITED AND ANY INFRINGEMENT THEREUPON MAY BE SUBJECT TO LEGAL ACTION.

BOX EAVE RAFTER EXTRA SIDE PANEL OPTION



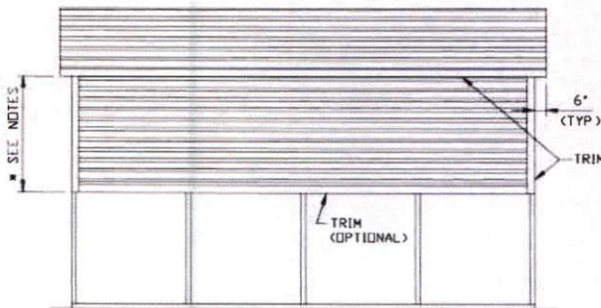
TYPICAL RAFTER/COLUMN FRAME SECTION - EXTRA SIDE PANELS

SCALE: NTS



TYPICAL END ELEVATION EXTRA SIDE PANELS

SCALE: NTS



TYPICAL SIDE ELEVATION EXTRA SIDE PANELS

SCALE: NTS

NOTES:

- * 9'-0" MAX FOR EAVE HEIGHT 14'-0" < TO ≤ 20'-0"
- * 6'-0" MAX FOR EAVE HEIGHT ≤ 14'-0"

**MOORE AND ASSOCIATES
ENGINEERING AND CONSULTING, INC.**

DRAWN BY: LT

CHECKED BY: PDH

PROJECT MGR: WSM

CLIENT: EAGLE CARPORTS

**EAGLE CARPORTS
210 AIRPORT ROAD
MOUNT AIRY, NC 27030
30'-0"x20'-0" SP FULLY OPEN STRUCTURE**

DATE: 12-23-19

SHT. 15

SCALE: NTS

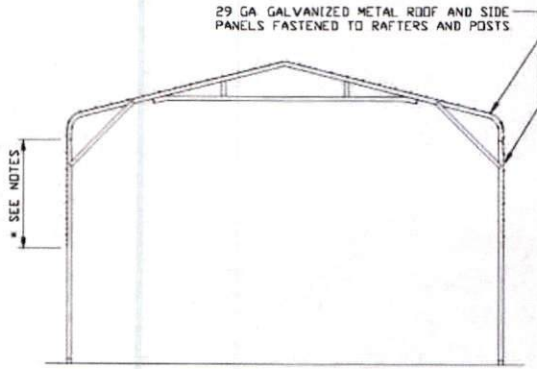
DWG. NO SK-1

**JOB NO: 16166S/
18012S/18260S/19320S**

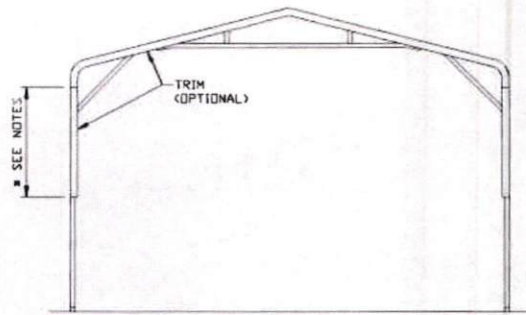
REV: 8

THIS DOCUMENT IS THE PROPERTY OF MOORE AND ASSOCIATES ENGINEERING AND CONSULTING. THE UNAUTHORIZED REPRODUCTION, COPYING, OR OTHERWISE USE OF THIS DOCUMENT IS STRICTLY PROHIBITED AND ANY INFRINGEMENT THEREUPON MAY BE SUBJECT TO LEGAL ACTION.

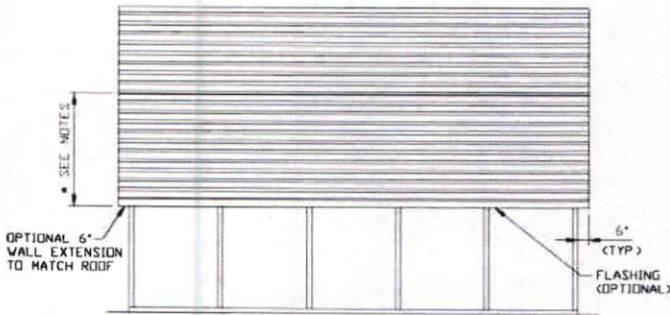
BOW RAFTER EXTRA SIDE PANEL OPTION



TYPICAL RAFTER/COLUMN FRAME SECTION - EXTRA SIDE PANELS
SCALE: NTS



TYPICAL END ELEVATION EXTRA SIDE PANELS
SCALE: NTS



TYPICAL SIDE ELEVATION EXTRA SIDE PANELS
SCALE: NTS

NOTES:

- * 9'-0" MAX FOR EAVE HEIGHT 14'-0" < TD < 20'-0"
- * 6'-0" MAX FOR EAVE HEIGHT < 14'-0"

**MOORE AND ASSOCIATES
ENGINEERING AND CONSULTING, INC.**

DRAWN BY: LT

CHECKED BY: PDH

PROJECT MGR: WSM

CLIENT: EAGLE CARPORTS

**EAGLE CARPORTS
210 AIRPORT ROAD
MOUNT AIRY, NC 27030
30'-0"x20'-0" SP FULLY OPEN STRUCTURE**

DATE: 12-23-19

SHT. 16

SCALE: NTS

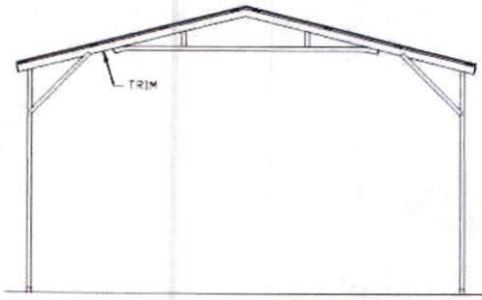
DWG. NO: SK-1

**JOB NO: 16166S/
18012S/18260S/19320S**

REV: 8

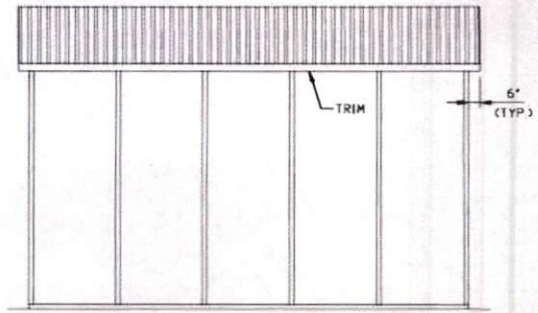
THIS DOCUMENT IS THE PROPERTY OF MOORE AND ASSOCIATES ENGINEERING AND CONSULTING. THE UNAUTHORIZED REPRODUCTION, COPYING, OR OTHERWISE USE OF THIS DOCUMENT IS STRICTLY PROHIBITED AND ANY INFRINGEMENT THEREUPON MAY BE SUBJECT TO LEGAL ACTION.

BOX EAVE RAFTER VERTICAL ROOF OPTION



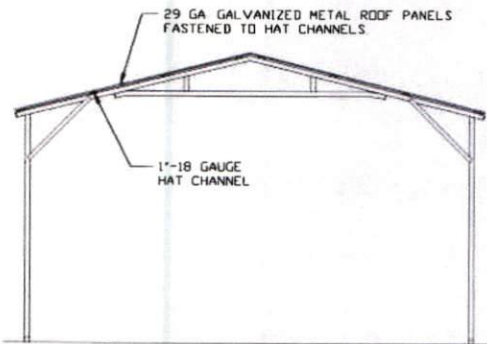
**TYPICAL END ELEVATION
VERTICAL ROOF**

SCALE: NTS



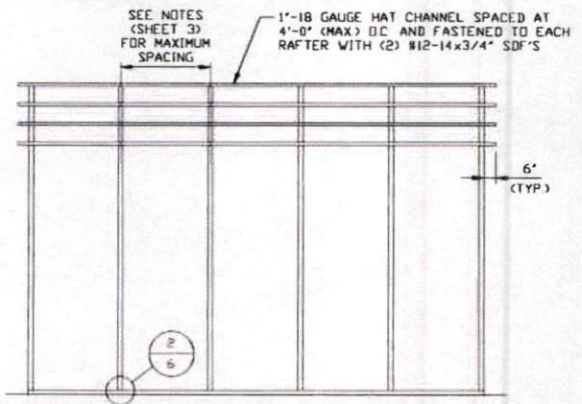
**TYPICAL SIDE ELEVATION
VERTICAL ROOF**

SCALE: NTS



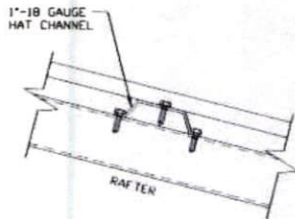
**TYPICAL SECTION
VERTICAL ROOF OPTION**

SCALE: NTS



**TYPICAL FRAMING SECTION
VERTICAL ROOF OPTION**

SCALE: NTS



PANEL ATTACHMENT

(ALTERNATE FOR VERTICAL ROOF PANELS)

SCALE: NTS

**MOORE AND ASSOCIATES
ENGINEERING AND CONSULTING, INC.**

DRAWN BY: LT

CHECKED BY: PDH

PROJECT MGR: WSM

CLIENT: EAGLE CARPORTS

**EAGLE CARPORTS
210 AIRPORT ROAD
MOUNT AIRY, NC 27030
30'-0"x20'-0" SP FULLY OPEN STRUCTURE**

DATE: 12-23-19

SHT. 17

SCALE: NTS

DWG. NO: SK-1

**JOB NO: 16166S/
18012S/18260S/19320S**

REV: 8

THIS DOCUMENT IS THE PROPERTY OF MOORE AND ASSOCIATES ENGINEERING AND CONSULTING. THE UNAUTHORIZED REPRODUCTION, COPYING, OR OTHERWISE USE OF THIS DOCUMENT IS STRICTLY PROHIBITED AND ANY INFRINGEMENT THEREUPON MAY BE SUBJECT TO LEGAL ACTION.