

UNINHABITED UTILITY SHED UP TO 12' WIDE x UP TO 24' LONG

PPTR, PPR, PTR, TR800

STRUCTURAL NOTES:

1. **BUILDING CODE:** 2015 IBC & IRC, 2018 IBC & IRC

2. DESIGN LOADING:

A. ROOF LOADS

1. UNIFORM ROOF (SNOW): 20 PSF

- A. SNOW EXPOSURE FACTOR, C_e : 1.0
- B. SNOW IMPORTANCE FACTOR, I_s : 1.0
- C. THERMAL FACTOR C_t : 1.2

2. DEAD LOAD: 10 PSF

B. WIND LOADS

1. BASIC WIND SPEED, v_{ult} : 115 MPH

2. EXPOSURE: C

3. INTERNAL PRESSURE COEFFICIENT GC_{pi} : ± 0.18

C. SEISMIC DESIGN

1. IMPORTANCE FACTOR: 1.0

2. SPECTRAL RESPONSE ACCELERATIONS: $S_s = 0.42$
 $S_1 = 0.14$

3. SITE CLASS: A

4. SITE COEFFICIENTS: $S_{DS} = 0.44$
 $S_{D1} = 0.23$

5. SEISMIC DESIGN CATEGORY: C

LUMBER:

1. ALL LUMBER SHALL BE SPRUCE PINE-FIR STUD GRADE (U.O.N.).
2. REFER TO THE TRUSS DESIGN FOR DESIGN INFORMATION.

HEADER NAILING:

HEADER TO STUD - 4-16d END NAIL DOUBLED HEADER
- 16d @ 16" STAGGERED FACE NAIL

NAILING:

REFER TO SHEET 2 FOR WALL AND
ROOF SHEATHING NAILING.

MAX WALL HEIGHT FOR EACH SHED:

PPTR, PTR, TR/TRD800 - 7'-8 1/4" (92 1/4")
PPR - 6'-8 1/4" (80 1/4")

MAX ROOF SLOPE FOR EACH SHED:

PPTR, PPR - 5:12
PTR, TR800 - 4:12

SIDE WALL EDGE NAILING REQUIREMENTS					
MARK WALLS BEING USED	END WALL WIDTH	SIDE WALL LENGTH	EDGE NAILING	MAX. COMB. OPENING (NOTE 2)	MIN TOTAL COMBINED SHEAR WALL

NO OPENINGS ALONG THE WALL

	8'	8'-24'	8d NAILS @ 6" O.C.	0'	8'-24'
	10'	10'-24'	8d NAILS @ 6" O.C.	0'	10'-24'
	12'	12'-24'	8d NAILS @ 6" O.C.	0'	12'-24'

MIN 2'-3" RTN WALLS ON EACH END OF WALL- MIN 2'-3" WALL SEGMENT

	8'	8'-24'	8d NAILS @ 6" O.C.	UP TO 12'	6'
	10'	10'-24'	8d NAILS @ 6" O.C.	UP TO 12'	7'
	10'	10'-24'	8d NAILS @ 4" O.C.	UP TO 12'	5'
	12'	12'-24'	8d NAILS @ 6" O.C.	UP TO 12'	8'
	12'	12'-24'	8d NAILS @ 4" O.C.	UP TO 12'	6'

END WALL EDGE NAILING REQUIREMENTS					
MARK WALLS BEING USED	END WALL WIDTH	SIDE WALL LENGTH	EDGE NAILING	MAX. COMB. OPENING	MIN TOTAL COMBINED SHEAR WALL

NO OPENINGS ALONG THE WALL

	8'	8'-24'	8d NAILS @ 3" O.C.	0'	8'
	10'	10'-24'	8d NAILS @ 4" O.C.	0'	10'
	12'	12'-24'	8d NAILS @ 4" O.C.	0'	12'

MIN 2'-3" RTN WALLS ON EACH END OF WALL- MIN 2'-3" WALL SEGMENT

	8'	8'-18'	8d NAILS @ 3" O.C.	2'	6'
	8'	8'-16'	8d NAILS @ 3" O.C.	3'	5'
	10'	10'-18'	8d NAILS @ 3" O.C.	4'	6'
	10'	10'-16'	8d NAILS @ 3" O.C.	5'	5'
	12'	12'-24'	8d NAILS @ 3" O.C.	4'	8'
	12'	12'-18'	8d NAILS @ 3" O.C.	6'	6'
	12'	12'-14'	8d NAILS @ 3" O.C.	7'	5'

ROOF SHEATHING (7/16" OSB)

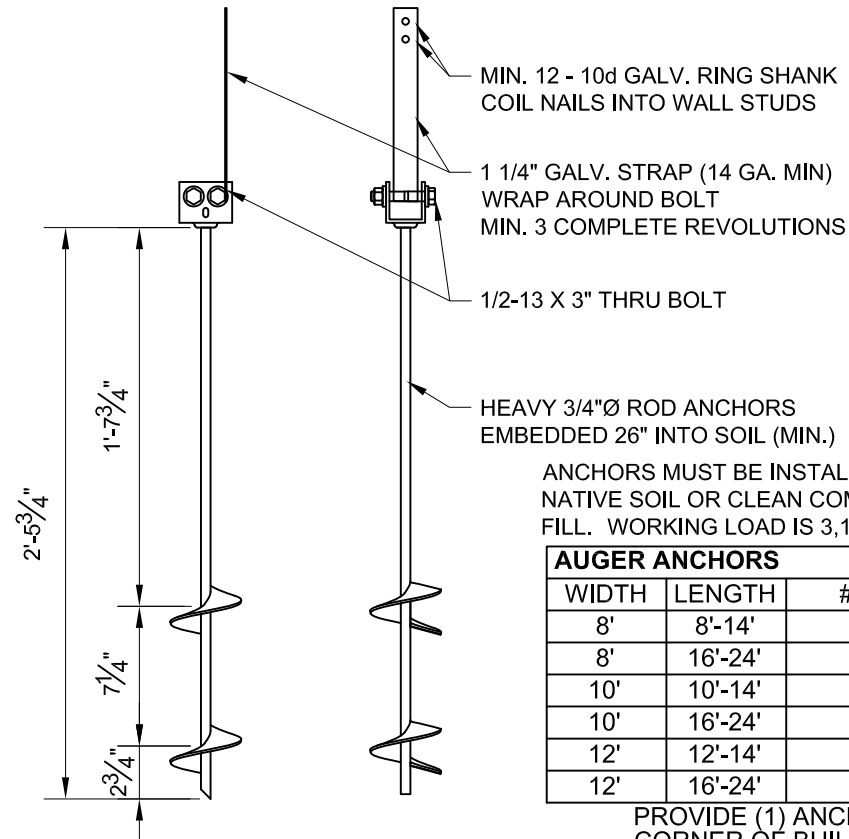
WIDTH	LENGTH	FIELD NAILING	EDGE NAILING
8'	8'-24'	8d NAILS @ 12" O.C	8d NAILS @ 6" O.C.
10'	10'-24'	8d NAILS @ 12" O.C	8d NAILS @ 6" O.C.
12'	12'-24'	8d NAILS @ 12" O.C	8d NAILS @ 6" O.C.

NOTES:

1. USE 8d COMMON NAILS W/ A MIN SHANK DIAMETER OF 0.131" AND A LENGTH OF 2 1/2".

TABLE NOTES:

1. NAILING IS FOR 3/8" SMARTSIDE PANEL OR 3/8" SILVERSIDE PANEL.
2. NO SINGLE OPENING GREATER THAN 8'-0"
3. USE COMMON NAILS WITH A MINIMUM SHANK DIAMETER OF 0.113" AND A MINIMUM LENGTH OF 2 1/2".
4. FIELD NAILING FOR 3/8" SMARTSIDE: 8d @ 12" O.C.



AUGER ANCHORS		
WIDTH	LENGTH	# OF ANCHORS
8'	8'-14'	4 ANCHORS
8'	16'-24'	6 ANCHORS
10'	10'-14'	4 ANCHORS
10'	16'-24'	6 ANCHORS
12'	12'-14'	4 ANCHORS
12'	16'-24'	6 ANCHORS

PROVIDE (1) ANCHOR AT EACH CORNER OF BUILDING. PROVIDE (1) ANCHOR AT CENTER OF EACH SIDEWALL FOR 16'-24' LONG BUILDINGS.

1 AUGER ANCHOR DETAIL
SCALE: N.T.S.

TUFF SHED

Storage Buildings & Garages

TUFF SHED, MFG. FACILITIES



Order #. _____
Customer: _____
Site Address: _____
Building Size: WIDTH - LENGTH - HEIGHT - SQ. FT. AREA _____

P.O. # _____
Drawn By: SJ
Date: 1/21/19
Checked By: _____
Date: _____
Scale: N.T.S.

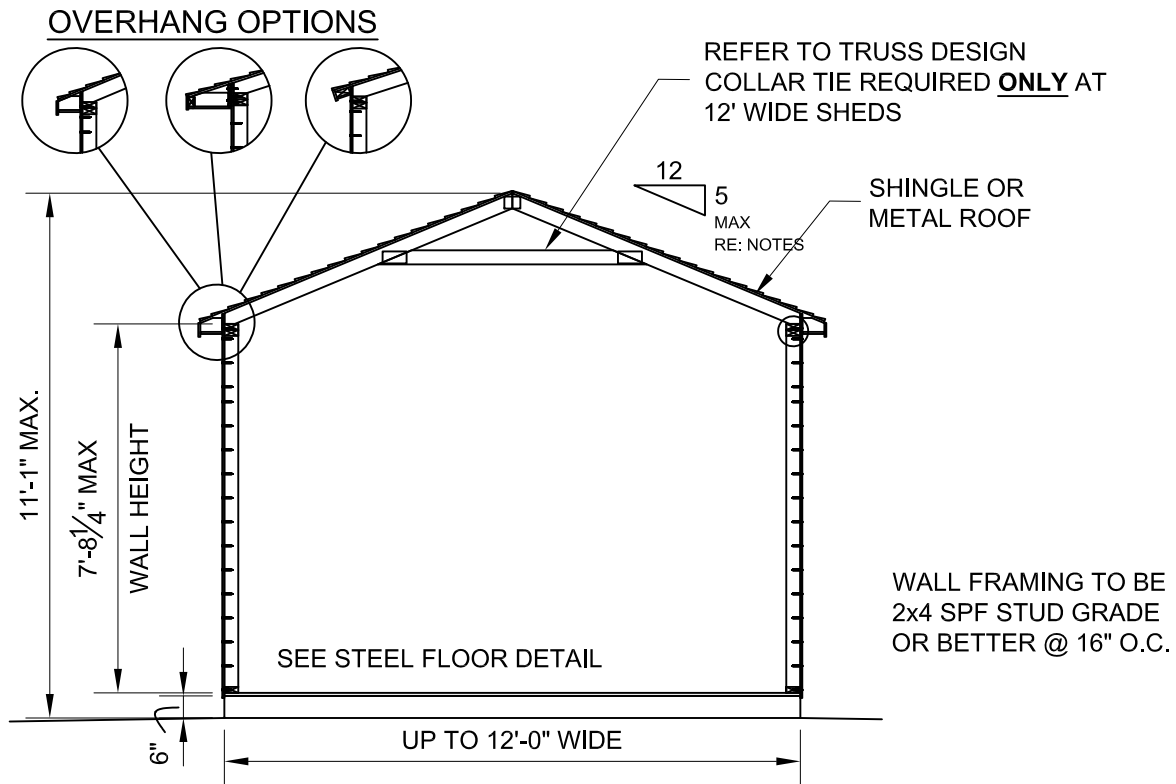
THESE DRAWINGS AND THE DESIGN ARE THE PROPERTY OF TUFF SHED, INC. THESE DRAWINGS ARE FOR A BUILDING TO BE SUPPLIED AND BUILT BY TUFF SHED. ANY OTHER USE IS FORBIDDEN BY BOTH TUFF SHED AND THE ENGINEER OF RECORD

TUFF SHED, INC.
ENGINEERING DEPARTMENT

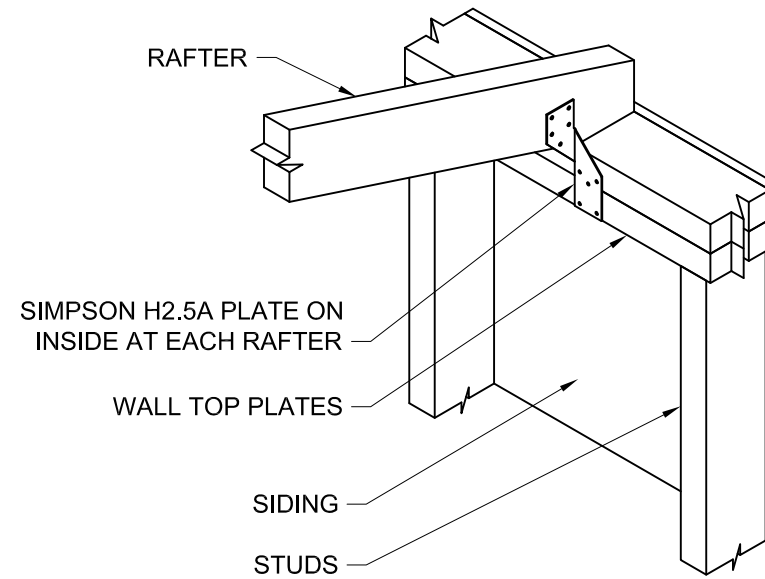
RICHARD J. WILLS, P.E.
RWILLS@TUFFSHED.COM
1777 S. HARRISON STREET
DENVER, COLORADO 80210
(303) 753-8833 EXT. 96315

TITLE
GENERAL NOTES
AND DETAILS
115 MPH, EXP. C

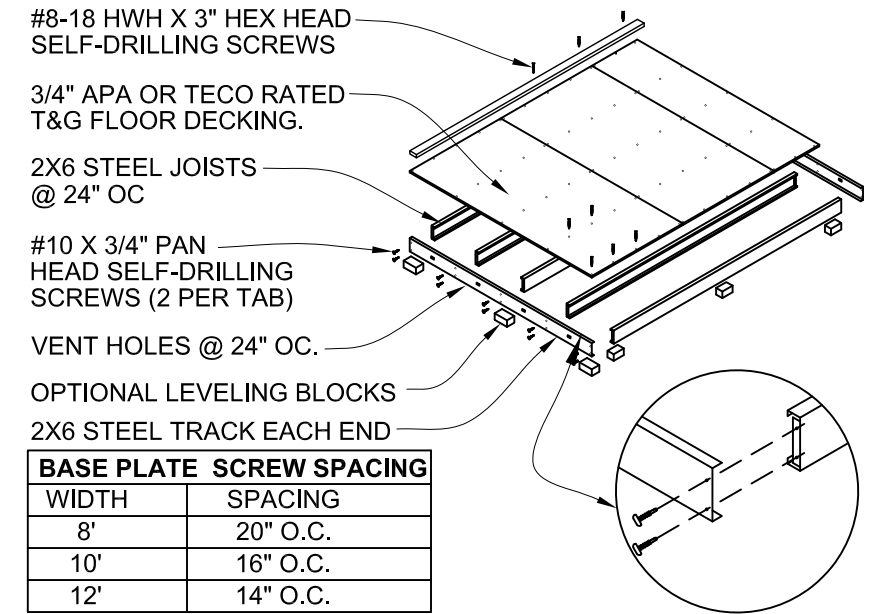
DRAWING NO.
610-PPTR-TR800-01
REV. LEVEL 01
SHEET **1**
PAGE 1 OF 3



1 BUILDING SECTION
SCALE: N.T.S.

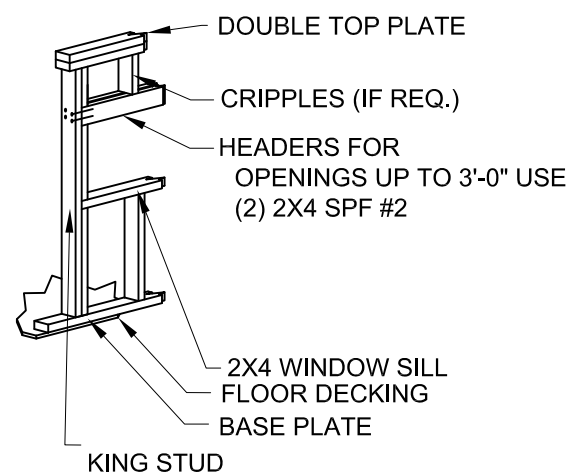


2 TRUSS ATTACHMENT DETAIL
SCALE: N.T.S.

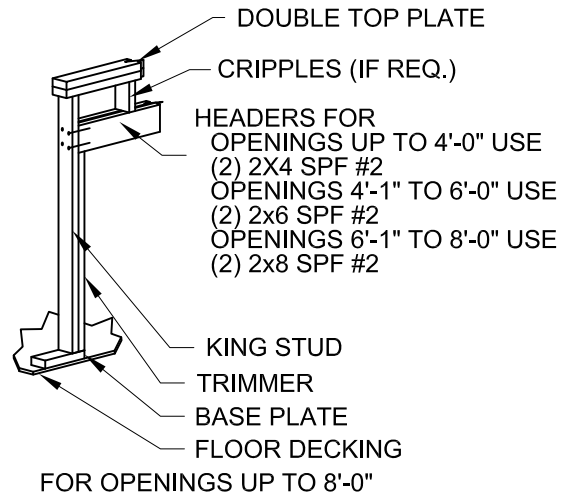


- STEEL SHED FOUNDATION:
600T125-054 - 16 GAUGE STEEL TRACKS G140 ZINC COATED
600S150-054 - 16 GAUGE STEEL JOISTS G140 ZINC COATED @ 24" O.C.
(SUPPLIER: QUAIL RUN (JOIST: 600S137-054 / TRACK: 600T150-054) ICC ER-4943P.
- 3/4" APA OR TECO RATED TONGUE AND GROOVE FLOOR DECKING. 24" MAX PANEL SPAN.
- FASTEN FLOOR DECKING TO JOIST & TRACKS USING #8 x 1-5/8" ZINC PLATED SCREWS @ 12" O.C. NO BLOCKING REQUIRED. ALL EDGES SHALL LIE ON FLOOR JOISTS. STAGGER PANEL LAYOUT PER APA CONDITION 1.
- FASTEN SOLE PLATE THROUGH FLOOR DECKING INTO JOISTS OR TRACKS WITH #8-18 HWH X 3" GALVANIZED SELF-DRILLING SCREWS. REFERENCE SPACING CHART.
- ALLOWABLE FLOOR LIVE LOAD: 75 PSF FOR STEEL JOISTS CONTINUOUSLY SUPPORTED. 50 PSF FOR JOISTS ON BLOCKS AS SHOWN.
- USE OPTIONAL CONCRETE BLOCKS AS REQUIRED TO LEVEL BUILDING:
SUGGESTED SIZES: 2" x 8" x 16", 4" x 8" x 16", OR 8" x 8" x 16".
BLOCKS UNDER JOISTS SPACED @ 8'-0" O.C. MAXIMUM.
BLOCKS UNDER TRACK SPACED @ 4'-0" O.C. MAXIMUM.

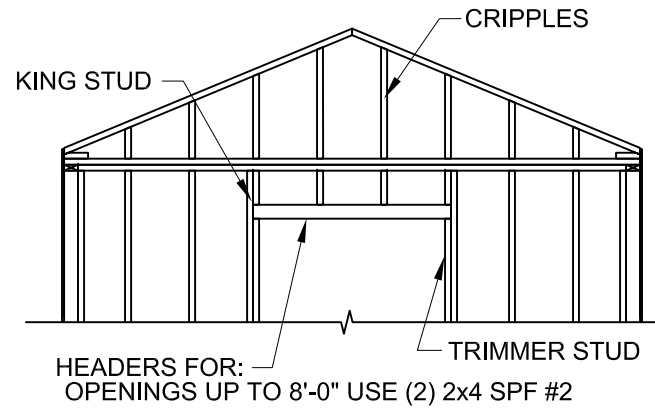
5 STEEL SHED BASE DETAIL
SCALE: N.T.S.



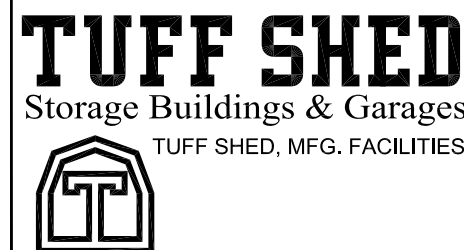
3A DOOR HEADER DETAIL FOR SIDE WALLS
SCALE: N.T.S.



3B DOOR HEADER DETAIL FOR SIDE WALLS
SCALE: N.T.S.



4 HEADER DETAIL FOR END WALLS
SCALE: N.T.S.



Order #. _____
Customer: _____
Site Address: _____
Building Size: WIDTH - LENGTH - HEIGHT - SQ. FT. AREA _____

P.O. # _____
Drawn By: SJ
Date: 1/21/19
Checked By: _____
Date: _____
Scale: N.T.S.

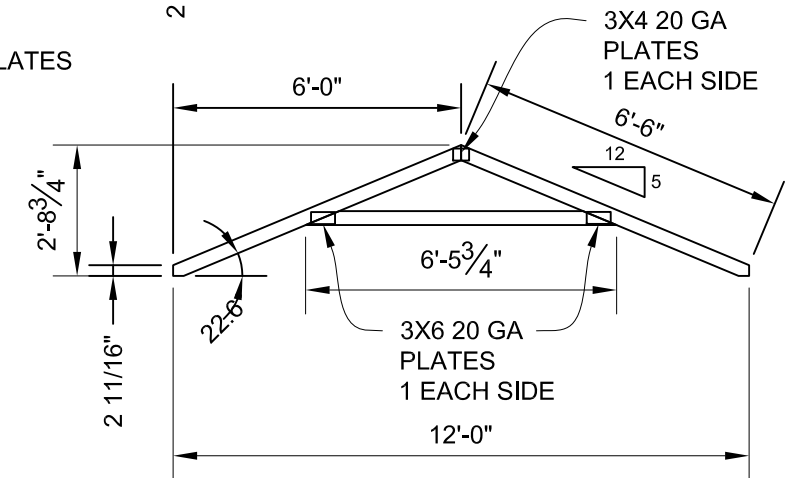
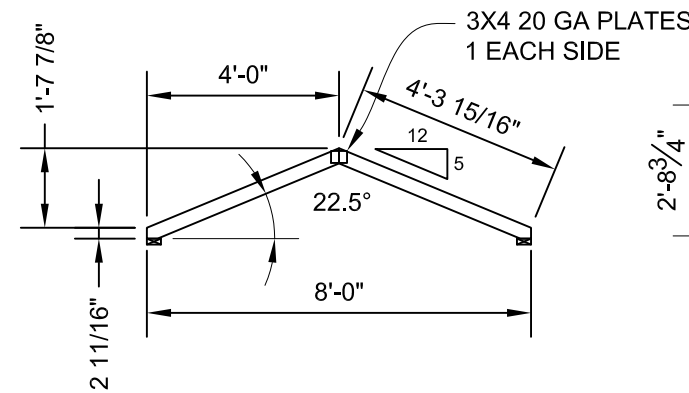
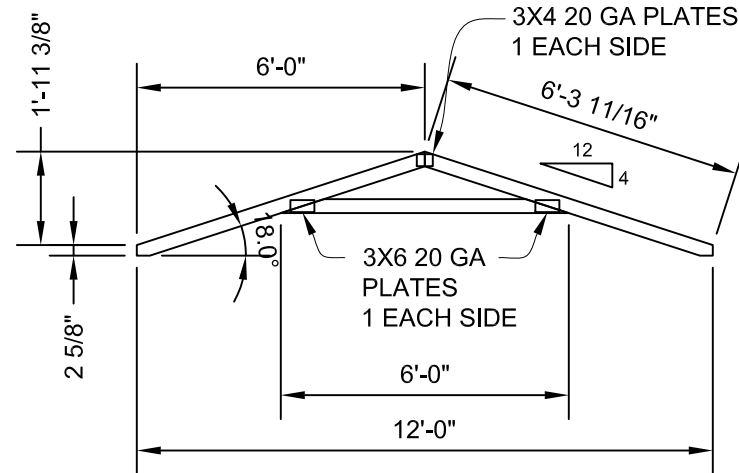
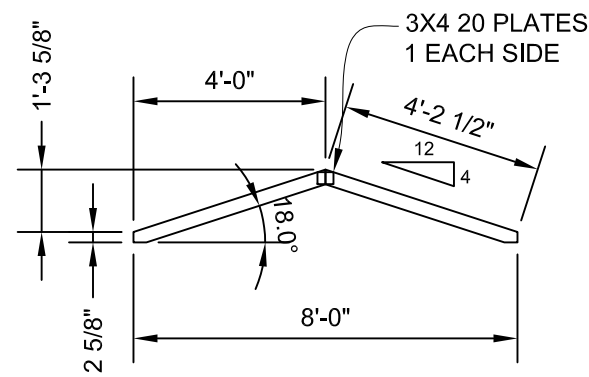
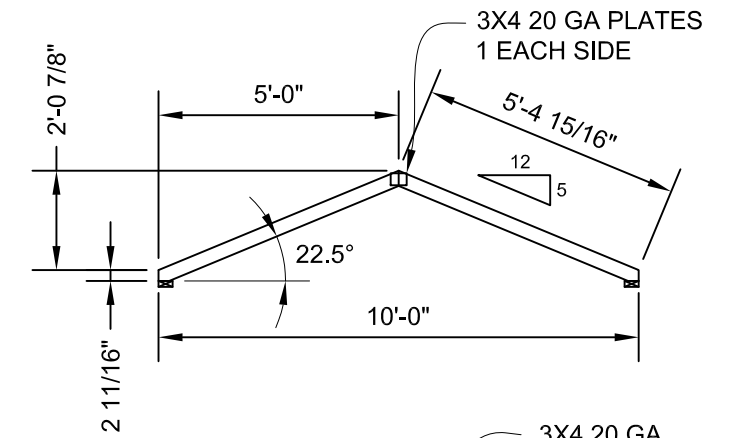
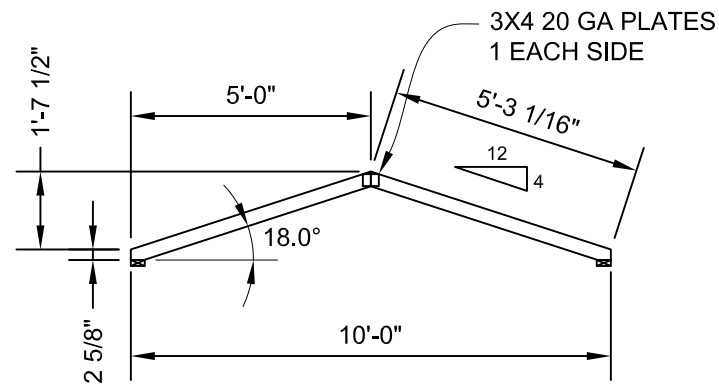
THESE DRAWINGS AND THE DESIGN ARE THE PROPERTY OF TUFF SHED, INC. THESE DRAWINGS ARE FOR A BUILDING TO BE SUPPLIED AND BUILT BY TUFF SHED. ANY OTHER USE IS FORBIDDEN BY BOTH TUFF SHED AND THE ENGINEER OF RECORD

TUFF SHED, INC.
ENGINEERING DEPARTMENT

RICHARD J. WILLS, P.E.
RWILLS@TUFFSHED.COM
1777 S. HARRISON STREET
DENVER, COLORADO 80210
(303) 753-8833 EXT. 96315

TITLE
BUILDING SECTIONS
HEADER FRAMING DETAILS
115 MPH, EXP. C

DRAWING NO. 610-PPTR-TR800-01
REV. LEVEL 01
SHEET 2
PAGE 2 OF 3



DESIGN LOADS:
 TOP CHORD LIVE LOAD = 20 PSF
 TOP CHORD DEAD LOAD = 10 PSF
 COLLAR TIE DEAD LOAD = 5 PSF

NOTES:
 2015 IBC & IRC, 2018 IBC & IRC
 ANSI/TPI 1-2014
 TRUSSES TO BE SPACED @ 24" OC
 MATERIAL TO BE 2X4 SPRUCE PINE FIR GRADE #2 OR BETTER
 PLATES ARE TO BE PRESSED IN THE WOOD PER TPI.

REP MEMBER INCREASE: YES
 LUMBER D.O.L.: 1.25

WIND:
 ASCE 7-10, 115 mph, Exposure C, D.O.L.=1.60

PLATES ARE MANUFACTURED BY EAGLE METAL PRODUCTS, ICC-ES #ESR-1082.

8' SPAN
 REACTIONS:
 MAX. VERTICAL: 240 LBS.
 MAX. UPLIFT: -200 LBS.

NOTE:
 TRUSS MAY BE USED ON BUILDING LENGTHS UP TO 14FT UNLESS CEILING JOIST OR OTHER TENSION TIE IS PROVIDED.

10' SPAN
 REACTIONS:
 MAX. VERTICAL: 300 LBS.
 MAX. UPLIFT: -255 LBS.

NOTE:
 TRUSS MAY BE USED ON BUILDING LENGTHS UP TO 16FT UNLESS CEILING JOIST OR OTHER TENSION TIE IS PROVIDED.

12' SPAN
 REACTIONS:
 MAX. VERTICAL: 420 LBS.
 MAX. UPLIFT: -295 LBS.

NOTE:
 TRUSS MAY BE USED ON BUILDING LENGTHS UP TO 20FT UNLESS CEILING JOIST OR OTHER TENSION TIE IS PROVIDED.

MAXIMUM DEFLECTION (12 FT. SPAN)
 VERT LL: 0.06 in.
 VERT TL: 0.08 in.

ALL PERSONS FABRICATING, HANDLING, ERECTING OR INSTALLING THIS TRUSS ARE TO DO SO IN ACCORDANCE TO THE RECOMMENDATIONS OF THE LATEST VERSION OF THE BCSI.



Order #: _____
 Customer: _____
 Site Address: _____
 Building Size: WIDTH - LENGTH - HEIGHT - SQ. FT. AREA _____

P.O. # _____
 Drawn By: SJ
 Date: 1/21/19
 Checked By: _____
 Date: _____
 Scale: N.T.S.

THESE DRAWINGS AND THE DESIGN ARE THE PROPERTY OF TUFF SHED, INC. THESE DRAWINGS ARE FOR A BUILDING TO BE SUPPLIED AND BUILT BY TUFF SHED. ANY OTHER USE IS FORBIDDEN BY BOTH TUFF SHED AND THE ENGINEER OF RECORD

TUFF SHED, INC.
 ENGINEERING DEPARTMENT

RICHARD J. WILLS, P.E.
 RWILLS@TUFFSHED.COM
 1777 S. HARRISON STREET
 DENVER, COLORADO 80210
 (303) 753-8833 EXT. 96315

TITLE
 TRUSS DETAILS
 AND CALCULATIONS
 115 MPH, EXP. C

DRAWING NO.
 610-PPTR-TR800-01
 REV. LEVEL 01
 SHEET 3
 PAGE 3 OF 3