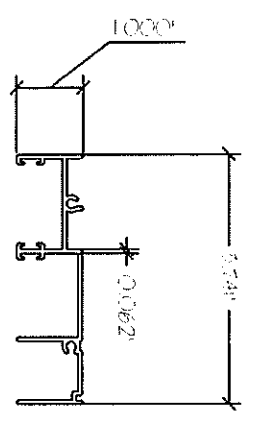
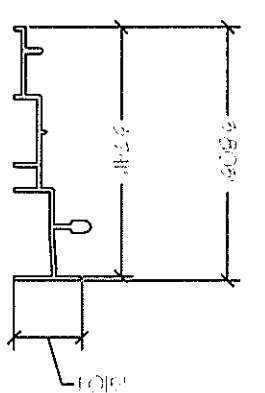


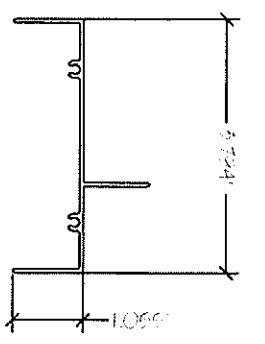
1 WINDOW/DOOR FRAME HEAD



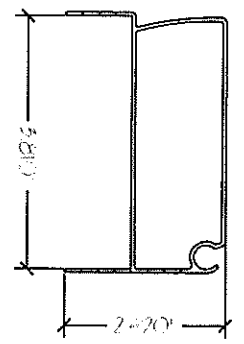
2 WINDOW/DOOR FRAME JAMB



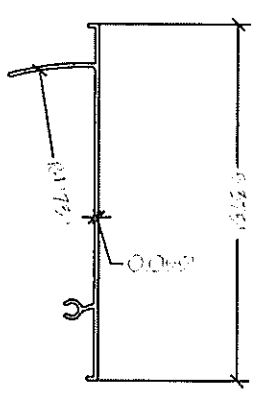
3 WINDOW/DOOR FRAME SILL



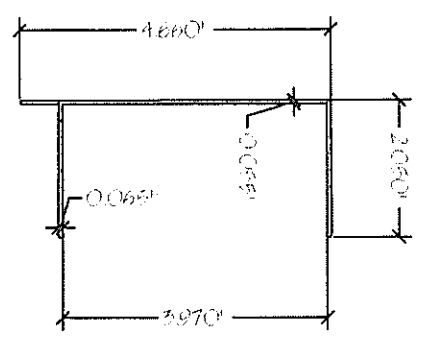
4 RANSOM FRAME



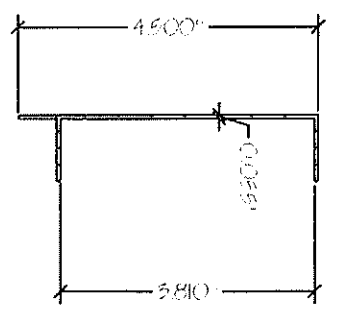
5 HEADER BASE



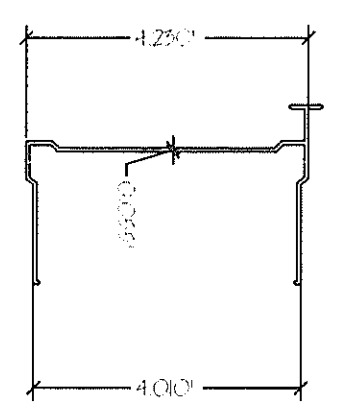
6 HEADER ARM



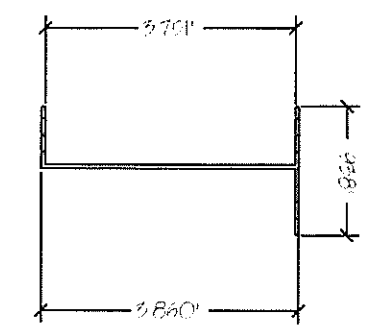
7 4" EXPANDER



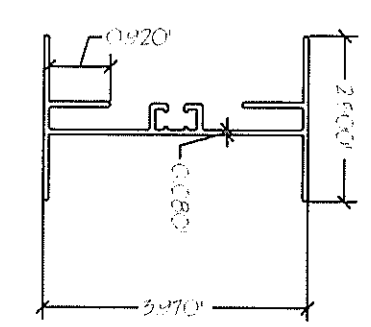
8 4" F-CHANNEL



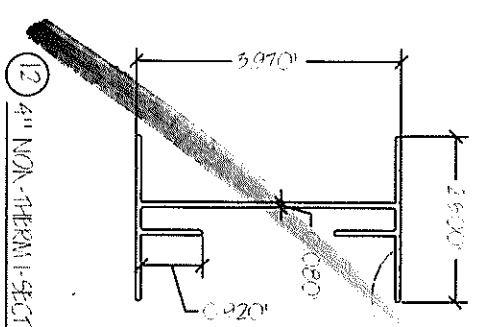
9 4" HANGER BASE



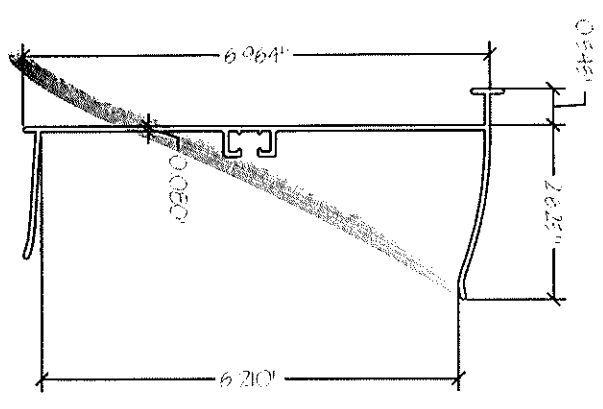
10 4" SILL EXTENSION



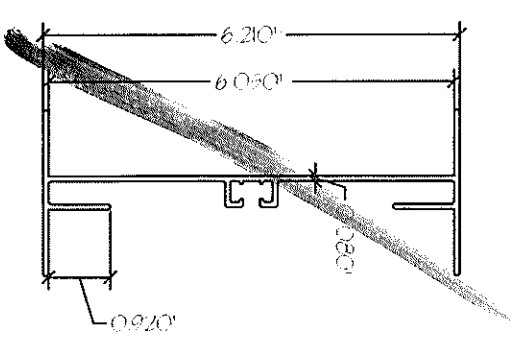
11 4" I-SECTION FRAME



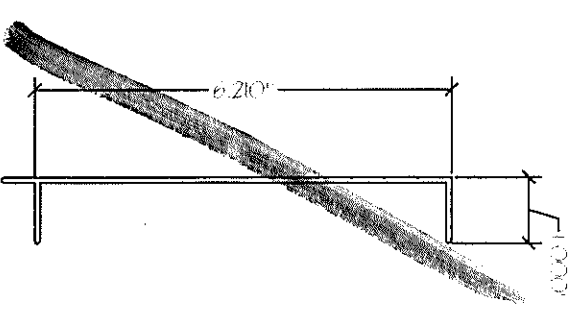
12 4" NON-THERM I-SECTION



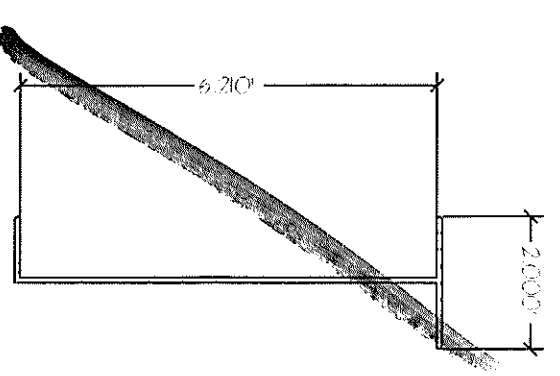
13 6" HANGER BASE



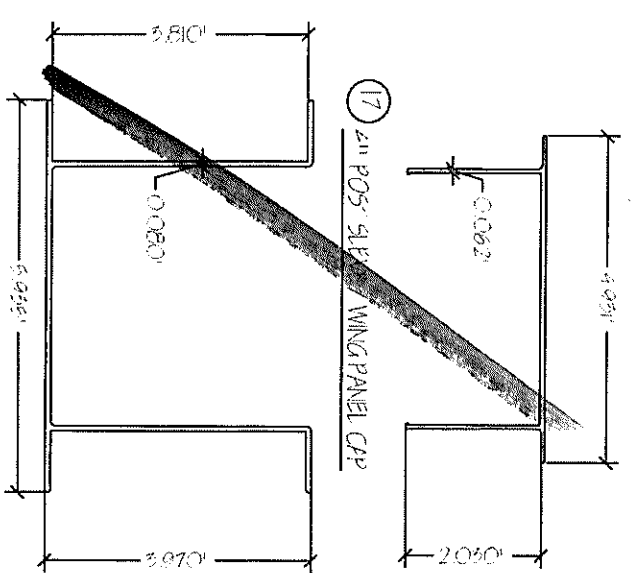
14 6" F-BEAM



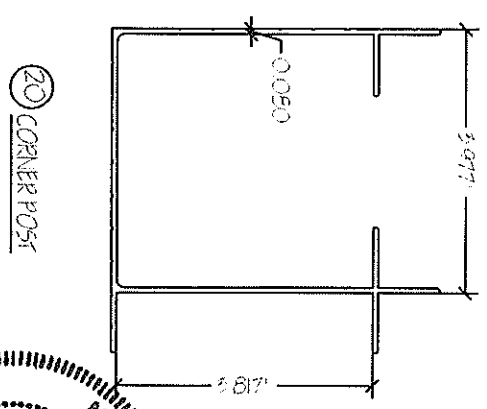
15 6" F-CHANNEL



16 6" SILL



17 4" POST SLEEVE WINDOW PANEL CAP



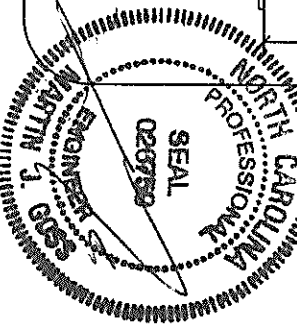
20 CORNER POST

CHAMPION WINDOWS AND PATIO ROOMS
4" Wall System with Studio Style Roof

SECTION DETAILS

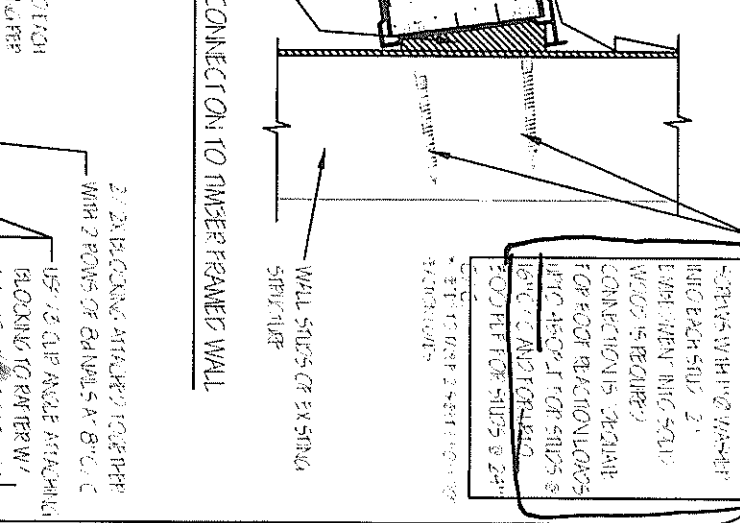
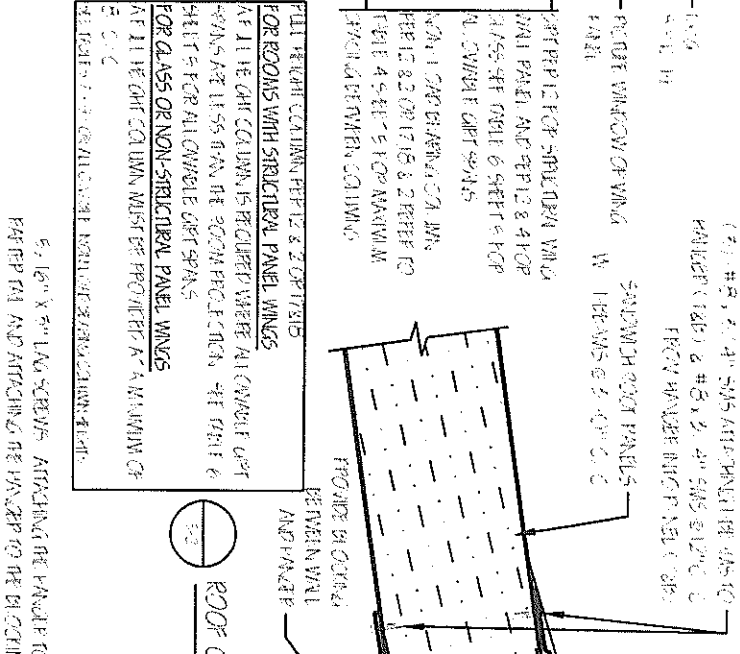
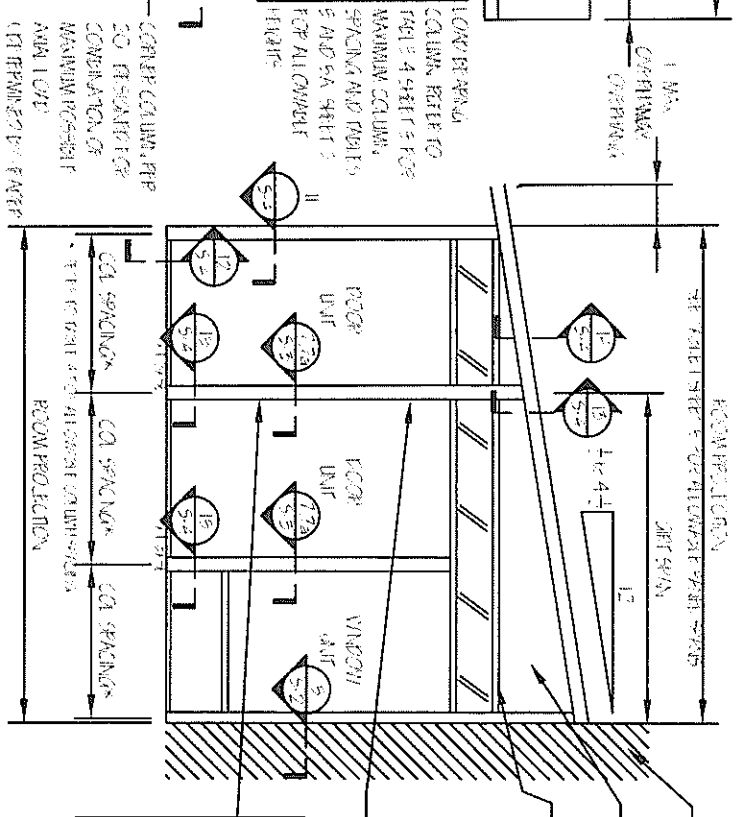
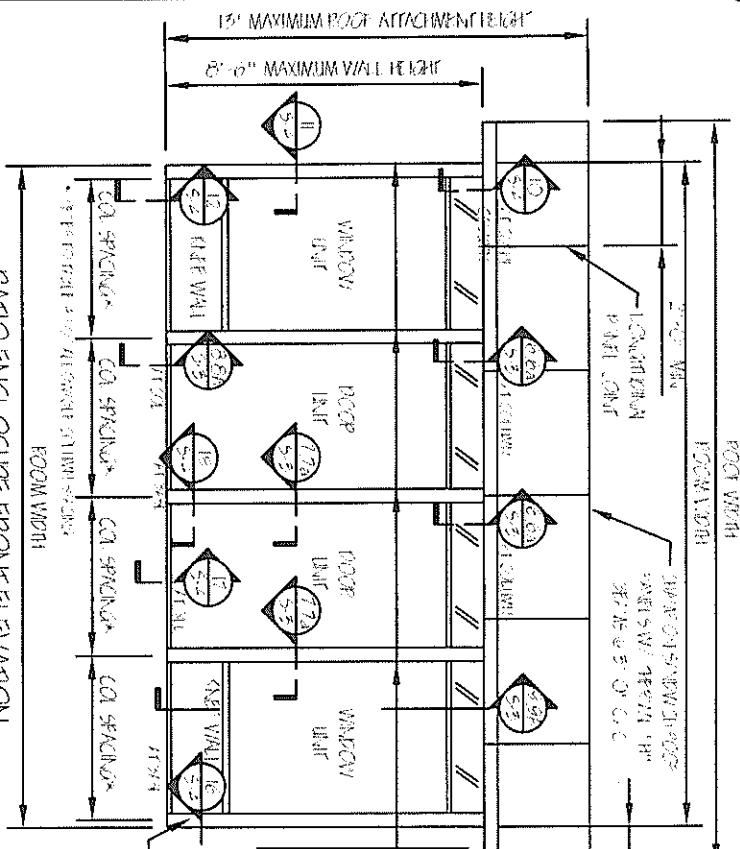
CES
CHAMPION ENCLOSURE SUPPLIERS
12111 CHAMPION WAY, CINCINNATI, OH 45241
PH: (513) 782-3900 FAX: (513) 782-3903

DATE: 2/13/19
SCALE: NTS
Drawn by: MJG
REV: _____
DATE: _____
SHEET: 1 OF 5



2/19/19/2019

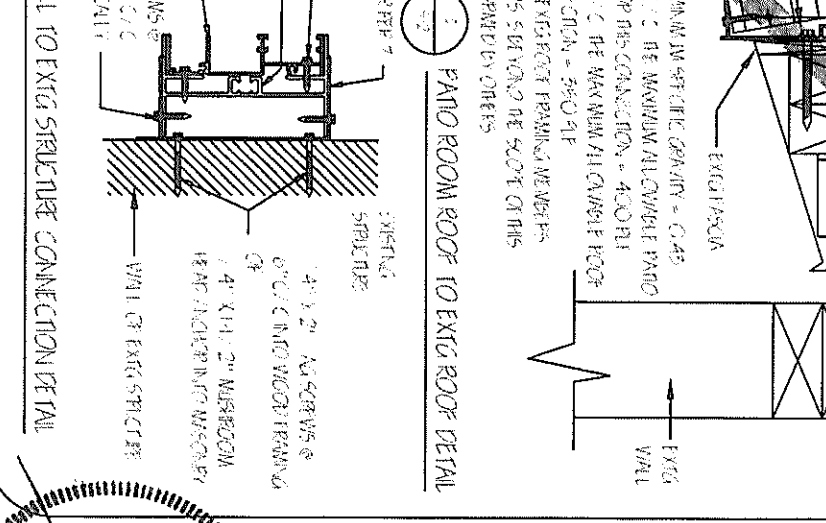
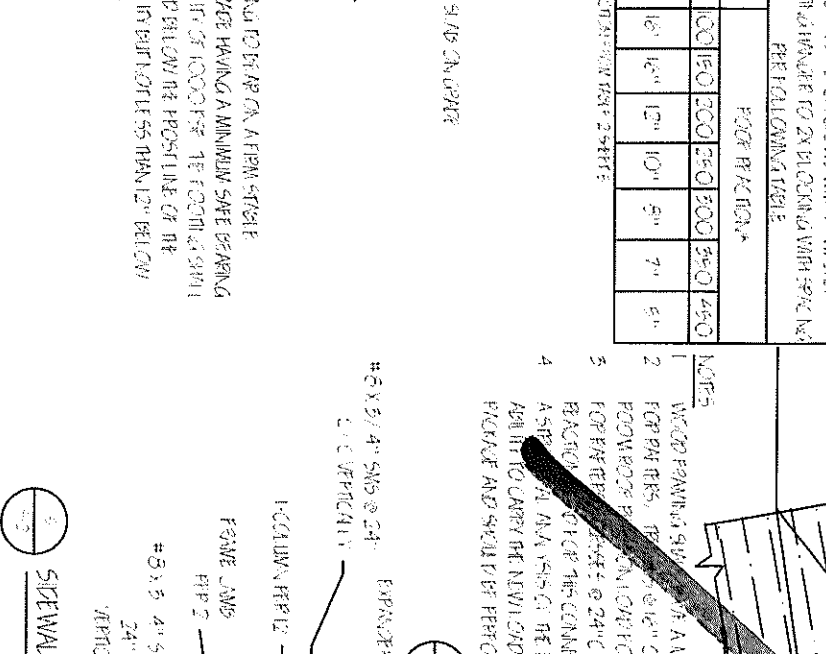
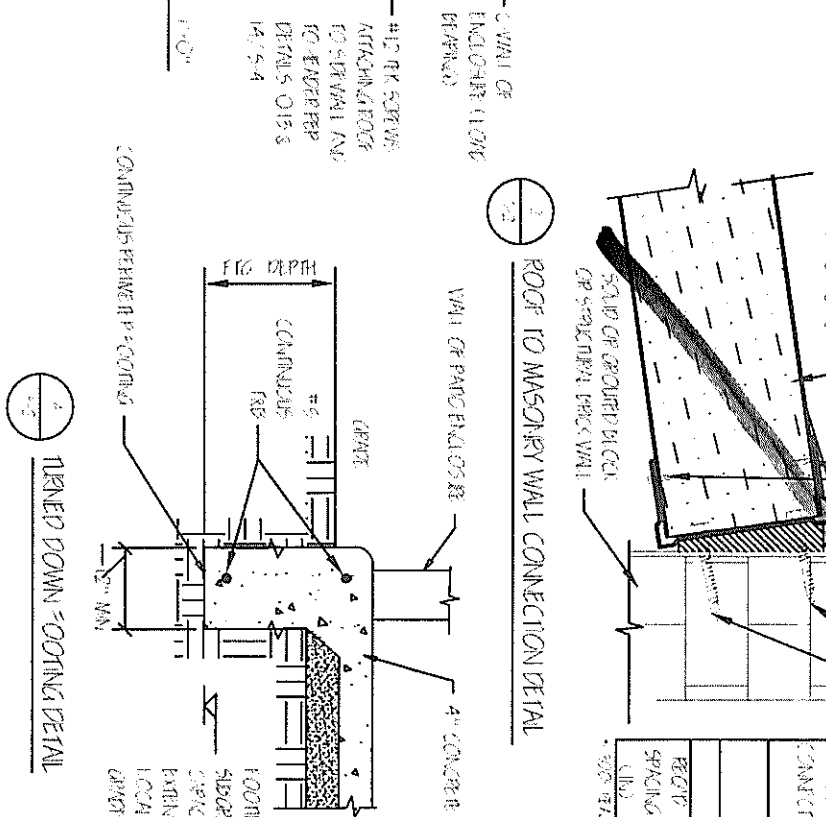
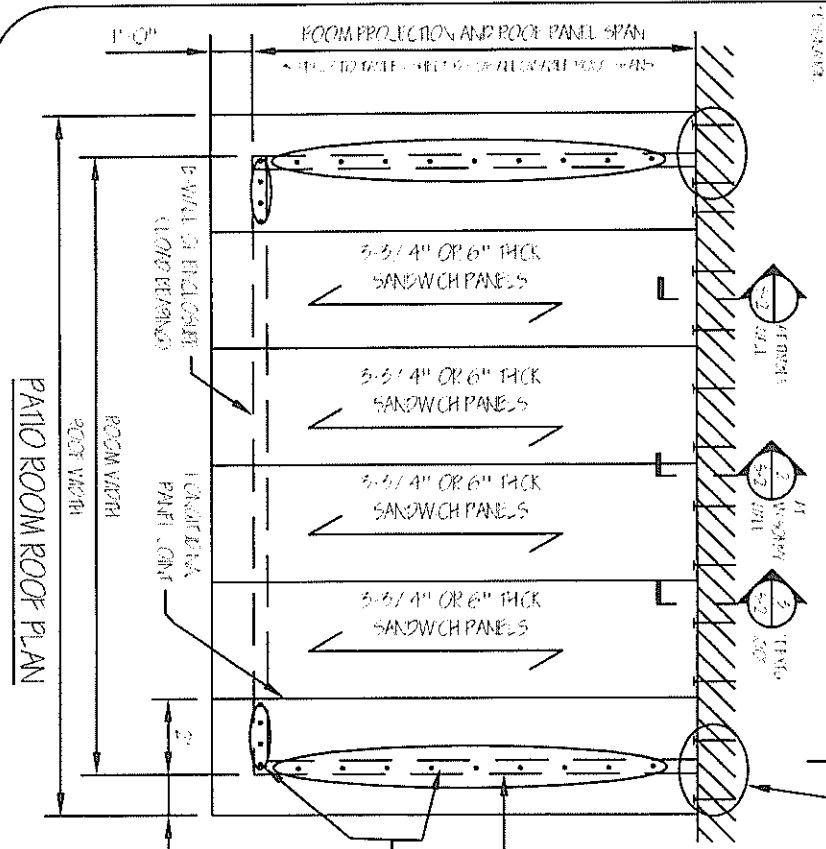
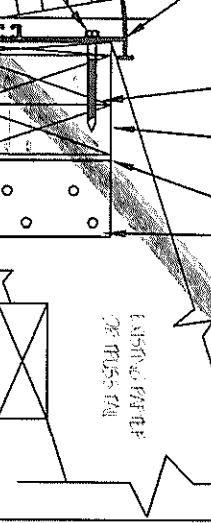
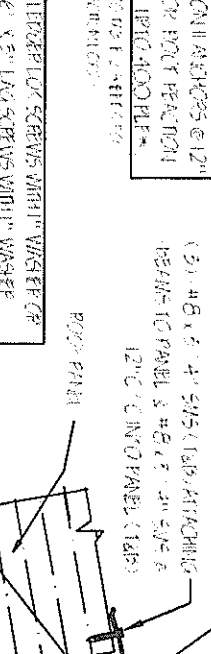
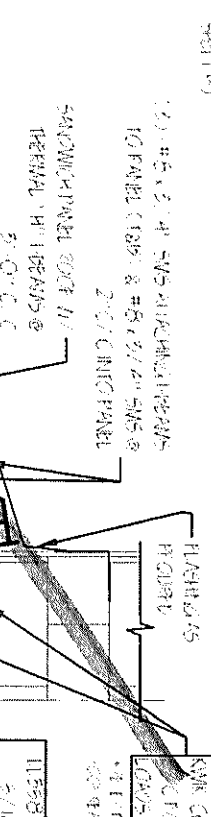
NOTE: A BEARING CONNECTION OF ROOF WINDOWS, PATIO ROOMS AND THE WALLS ARE PRINTED FOR THE SPECIFICATIONS AND CONNECTIONS ARE MADE TO THE ROOMS.



ZONE	MAX ROOM PROJECTION (FT)	MAX ROOM WIDTH (FT)	MAX ROOM HEIGHT (FT)	MAX ROOM AREA (SQ FT)
1	1.0	1.0	1.0	1.0
2	1.0	1.0	1.0	1.0
3	1.0	1.0	1.0	1.0
4	1.0	1.0	1.0	1.0

2 SETS OF #5 @ 16" X 5' LONG SCREWS WITH 2 WASHERS AND 2 C/C CONCRETE ATTACHMENT OF THE ROOM DIMENSION TO A MASONRY STRUCTURE.

2 SETS OF (2) 1/4" X 5.5" LAG SCREWS WITH 2 WASHERS AND 2 C/C CONCRETE ATTACHMENT OF THE ROOM DIMENSION TO A MASONRY STRUCTURE.

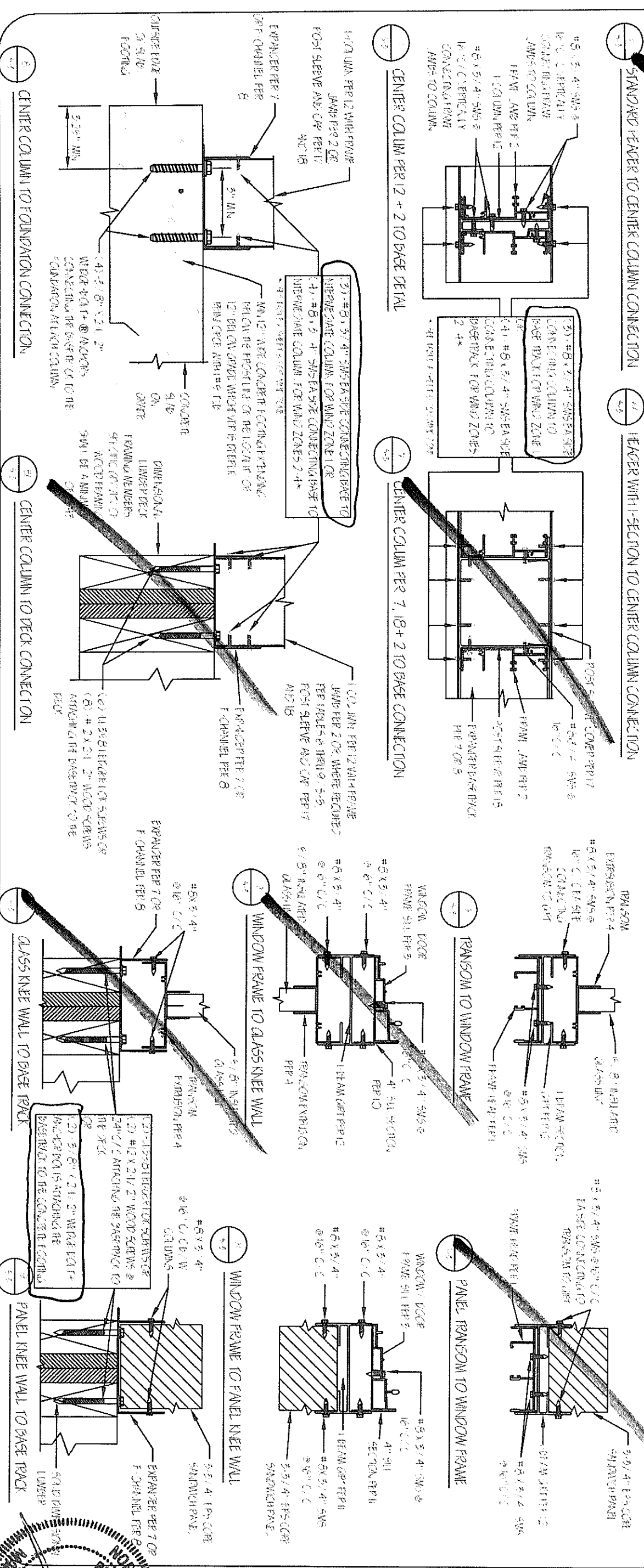
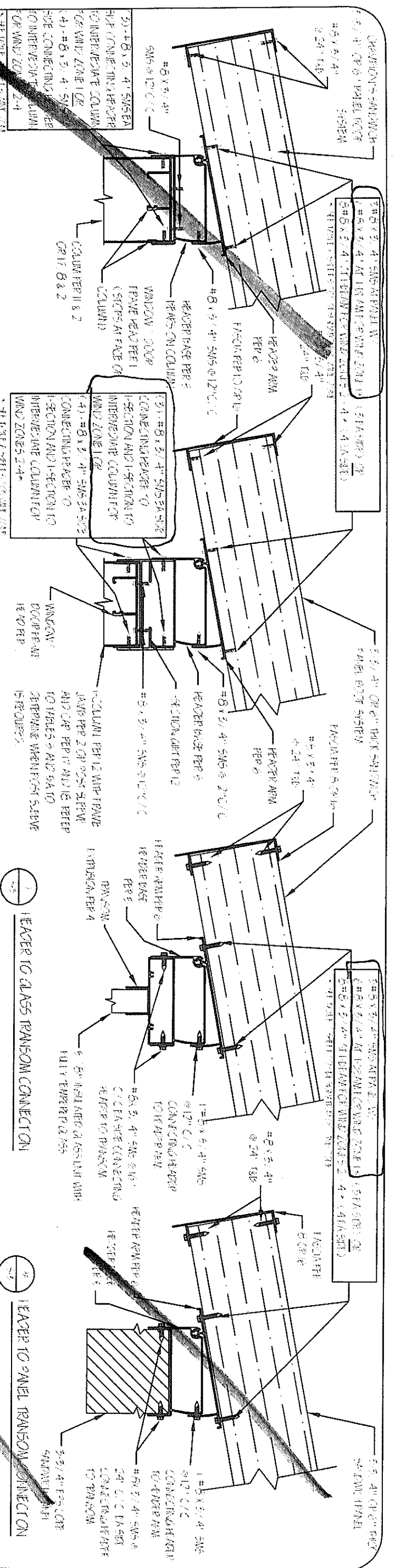


CHAMPION WINDOWS AND PATIO ROOM 4" Wall System with Studio Style Roof
ELEVATION AND SECTION DETAILS

CES
CHAMPION ENCLOSURE SUPPLIERS
12111 CHAMPION WAY, CINCINNATI, OH 45241
PH: (513) 782-3900 FAX: (513) 782-3903

DATE: 2/13/19
SCALE: NTS
Drawn by: M/G
REV: DATE:

ENGINEER
NORTH CAROLINA PROFESSIONAL SEAL
026786
MARTIN J. SUTS



CES
CHAMPION ENCLOSURE SUPPLIERS
 12111 CHAMPION WAY, CINCINNATI, OH 45241
 PH: (513) 782-3900 FAX: (513) 782-3903

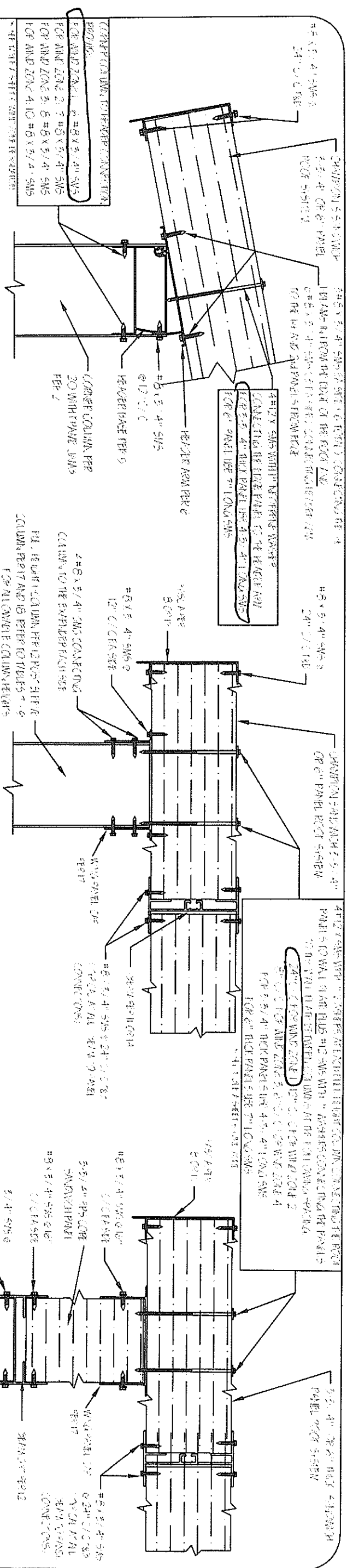
CHAMPION WINDOWS AND PATIO ROOM
4" Wall System with Studio Style Roof

SECTION DETAILS

DATE: 2/19/79
 SCALE: NTS
 Drawn by: M/G
 REV: _____ DATE: _____
 SHEET: 3 OF 5

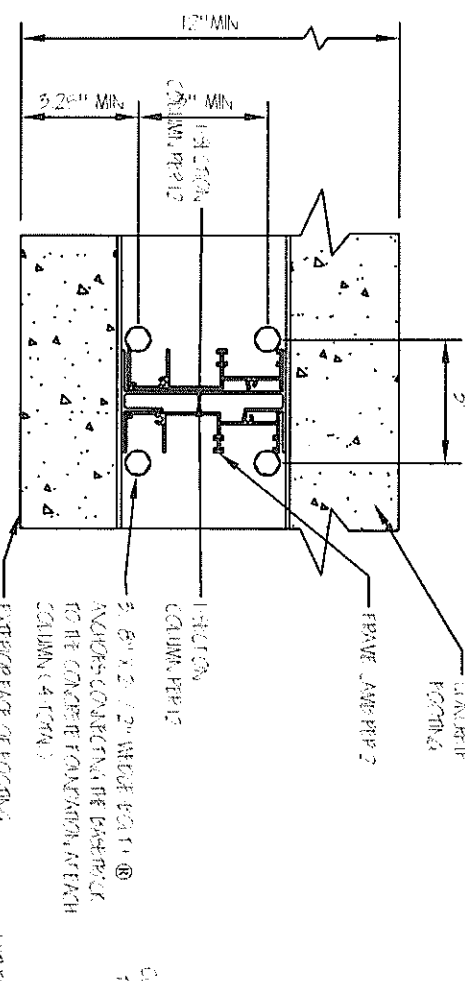
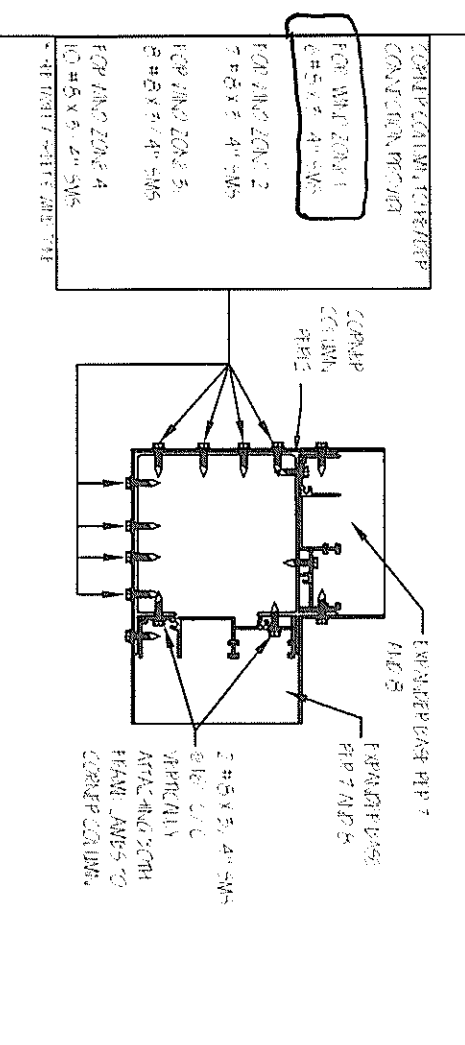
SEAL
ENGINEER
NORTH CAROLINA
PROFESSIONAL
 0088

1/19/1979



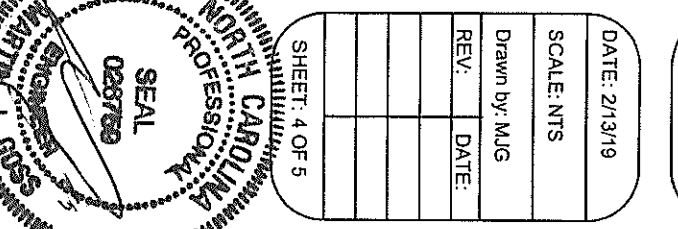
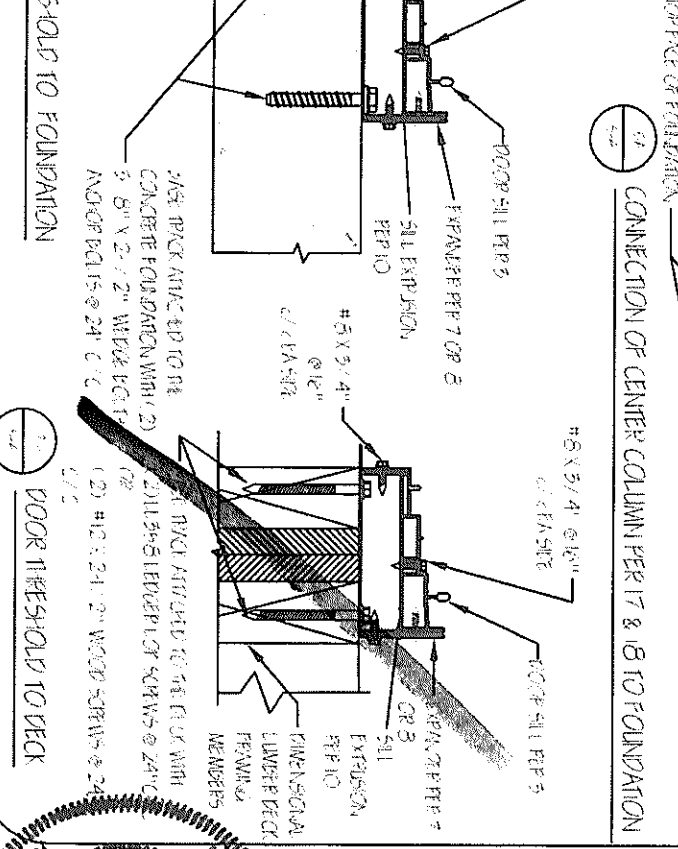
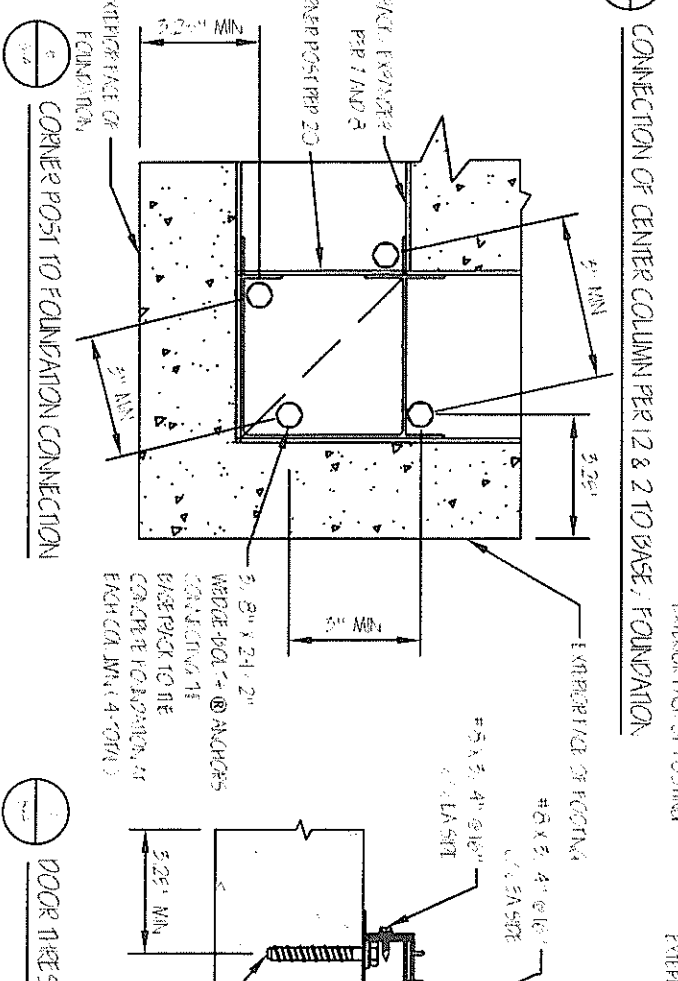
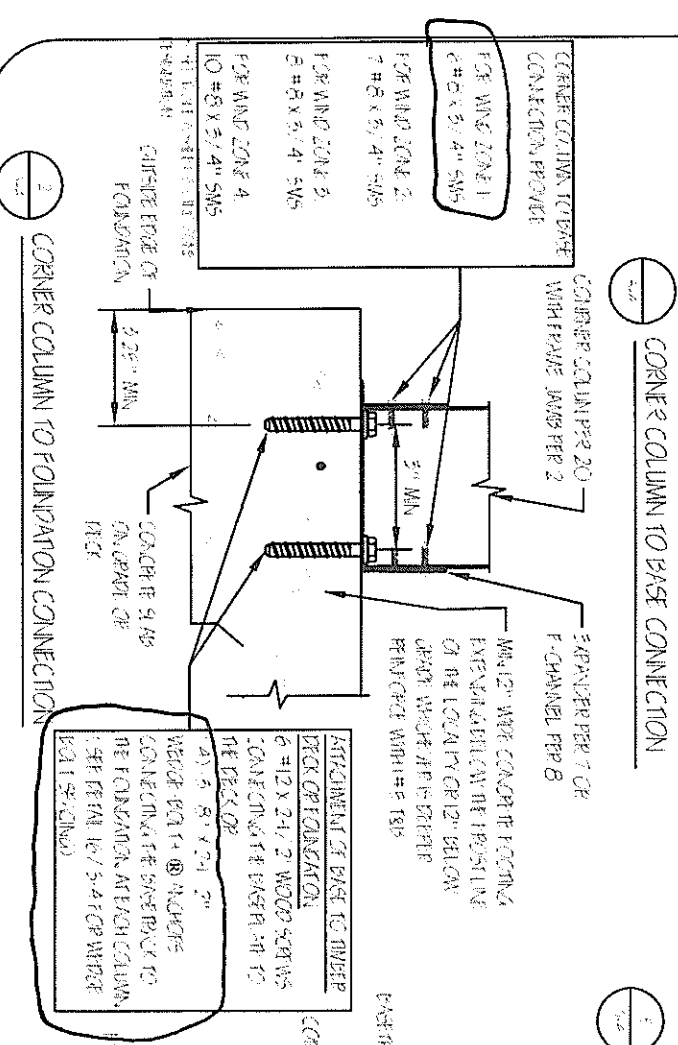
1 CORNER COLUMN TO ROOF CONNECTION

2 CORNER COLUMN TO BASE CONNECTION



3 CONNECTION OF CENTER COLUMN PER 12 & 2 TO BASE, FOUNDATION

4 CONNECTION OF CENTER COLUMN PER 17 & 18 TO FOUNDATION



7 DOOR THRESHOLD TO DECK

CES
CHAMPION ENCLOSURE SUPPLIERS
 12111 CHAMPION WAY, CINCINNATI, OH 45241
 PH: (513) 782-3900 FAX: (513) 782-3903

CHAMPION WINDOWS AND PATIO ROOM
4" Wall System with Studio Style Roof

SECTION DETAILS

DATE: 2/13/19
 SCALE: NTS
 Drawn by: MJG
 REV: DATE:
 SHEET: 4 OF 5

SEAL
OSBERT
ENGINEER
J. MARTIN
PROFESSIONAL
NORTH CAROLINA

