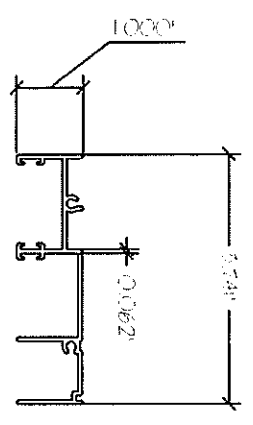
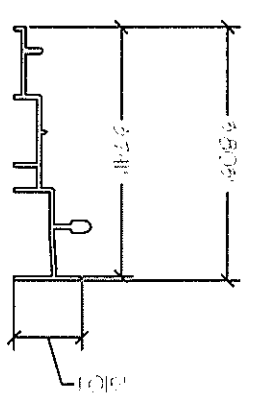


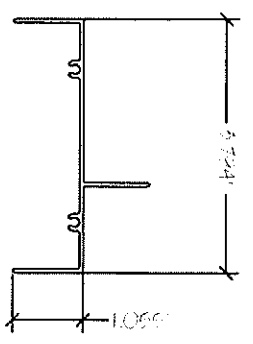
1 WINDOW/DOOR FRAME HEAD



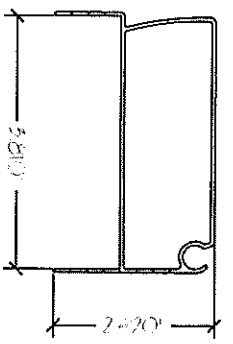
2 WINDOW/DOOR FRAME JAMB



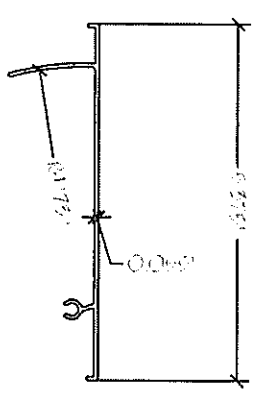
3 WINDOW/DOOR FRAME SILL



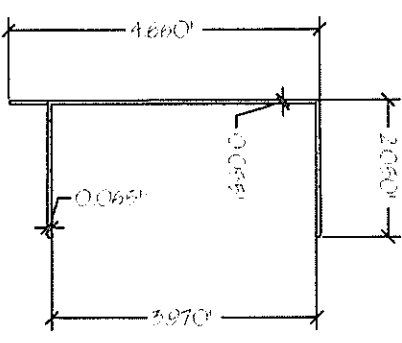
4 TRANSOM FRAME



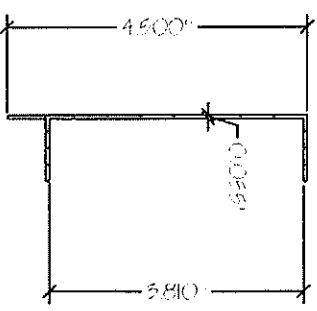
5 HEADER BASE



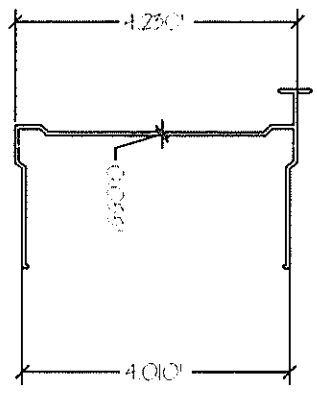
6 HEADER ARM



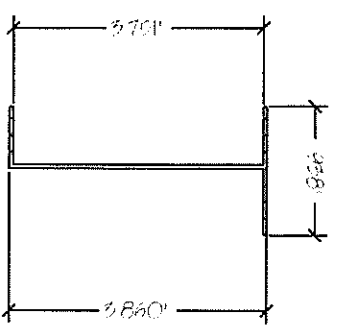
7 4" EXPANDER



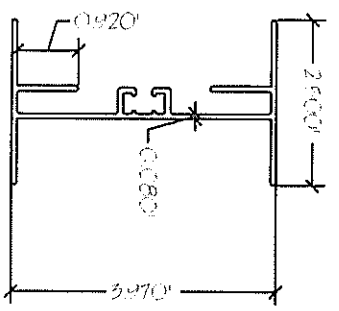
8 4" F-CHANNEL



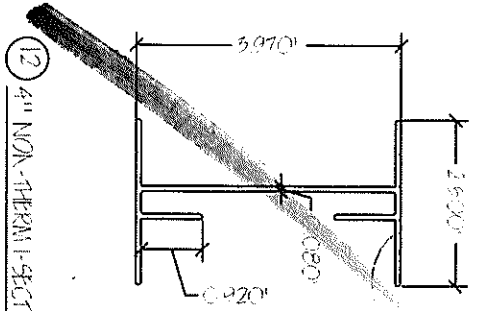
9 4" HANGER BASE



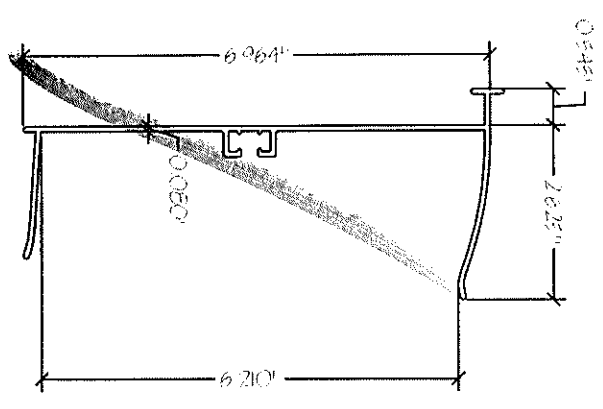
10 4" SILL EXTENSION



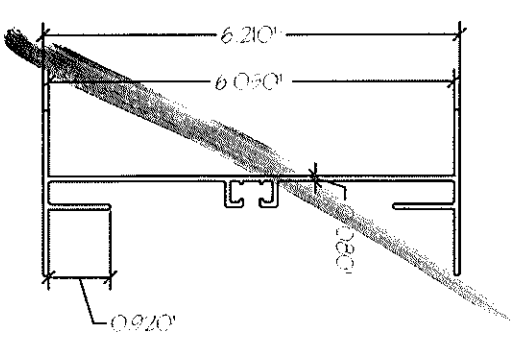
11 4" I-SECTION FRAME



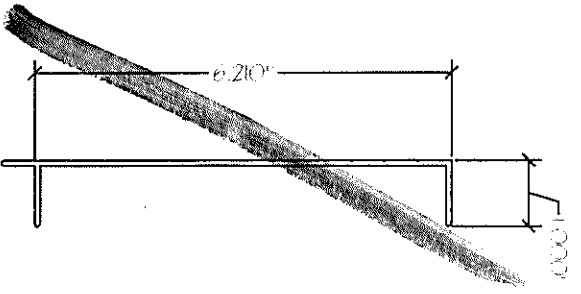
12 4" NON-THERM I-SECTION



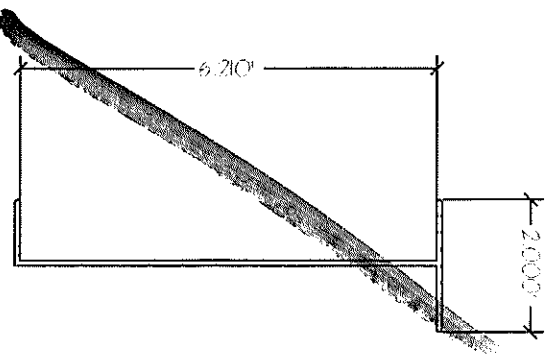
13 6" HANGER BASE



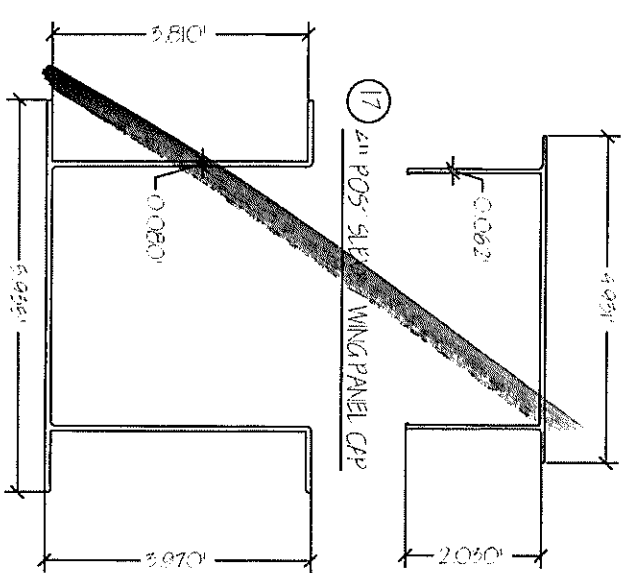
14 6" F-BEAM



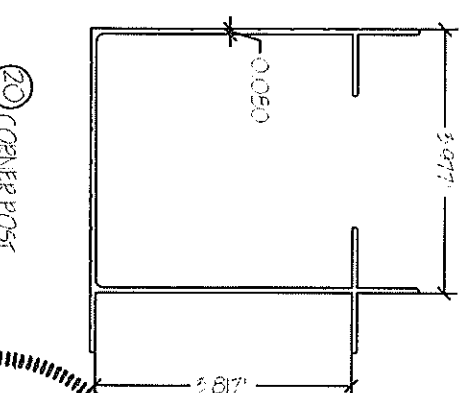
15 6" F-CHANNEL



16 6" SILL



17 4" POST-SLIP WINDOW PANEL CAP



18 4" POST-SLEVE

20 CORNER POST

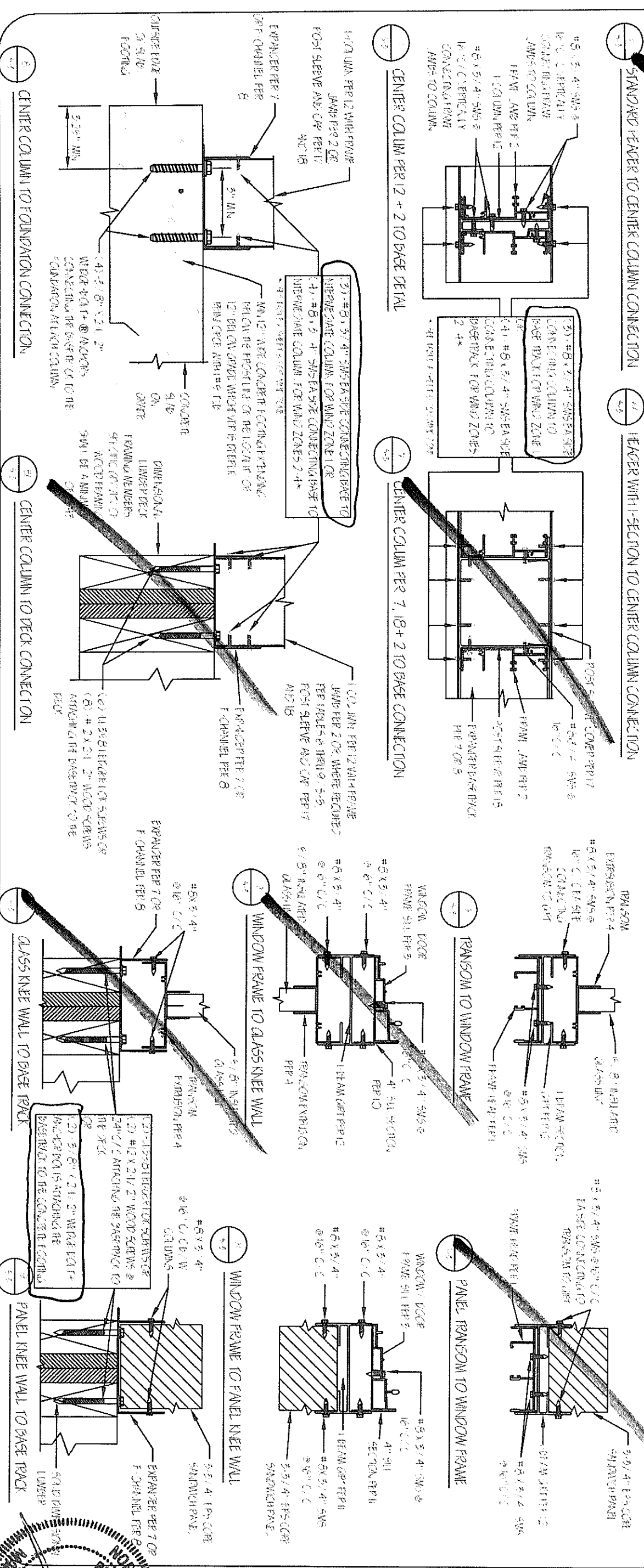
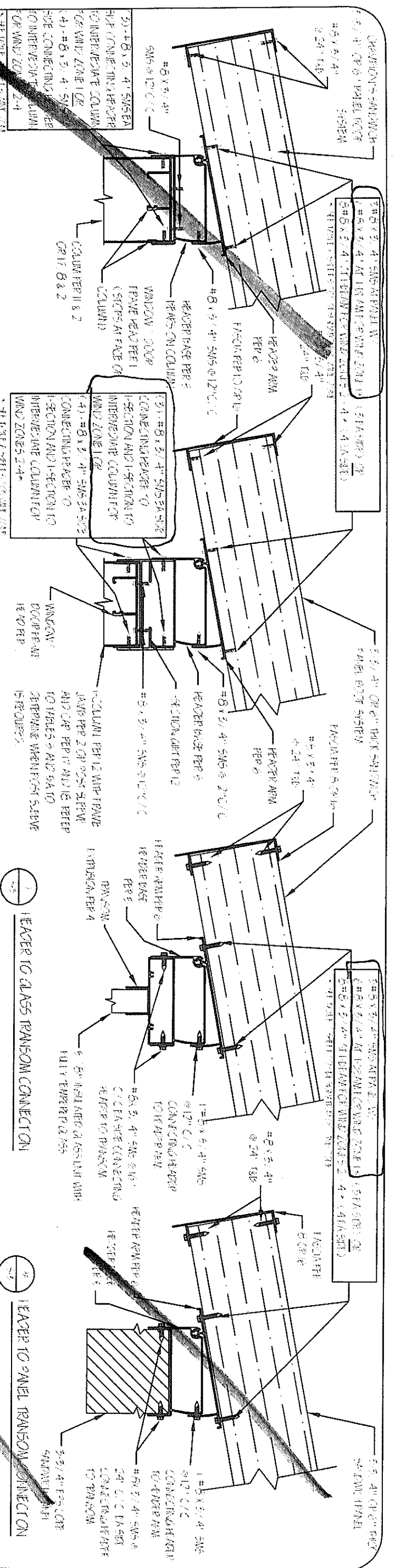
DATE: 2/13/19
 SCALE: NTS
 Drawn by: MJG
 REV: DATE:
 SHEET: 1 OF 5

ENGINEER'S SEAL
 NORTH CAROLINA PROFESSIONAL SEAL
 MARTIN J. BOSS
 020782
 2/19/21

CHAMPION WINDOWS AND PATIO ROOMS
 4" Wall System with Studio Style Roof

SECTION DETAILS

CES
CHAMPION ENCLOSURE SUPPLIERS
 12111 CHAMPION WAY, CINCINNATI, OH 45241
 PH: (513) 782-3900 FAX: (513) 782-3903

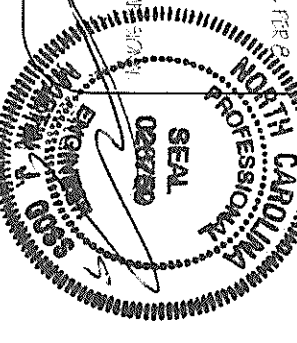


CHAMPION WINDOWS AND PATIO ROOM
4" Wall System with Studio Style Roof

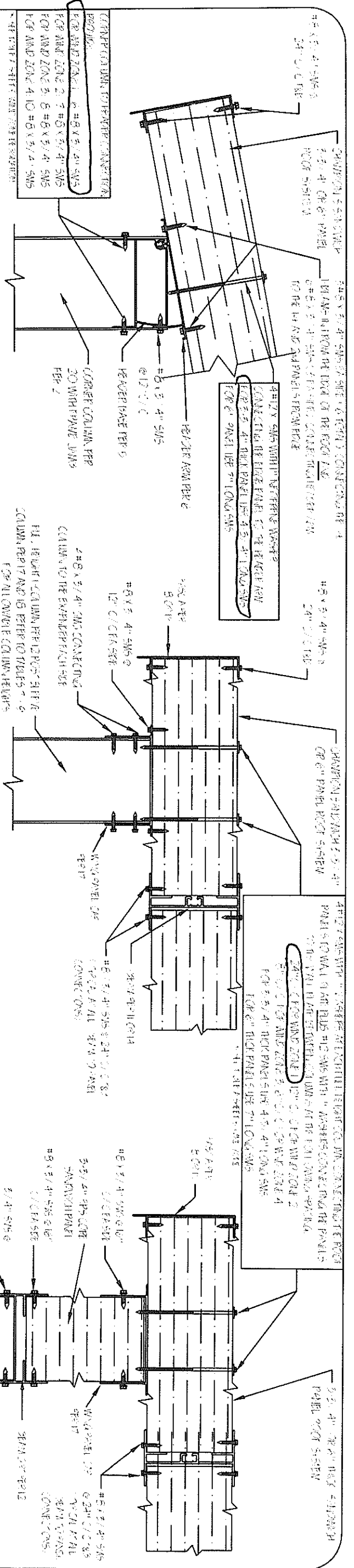
SECTION DETAILS

CES
CHAMPION ENCLOSURE SUPPLIERS
 12111 CHAMPION WAY, CINCINNATI, OH 45241
 PH: (513) 782-3900 FAX: (513) 782-3903

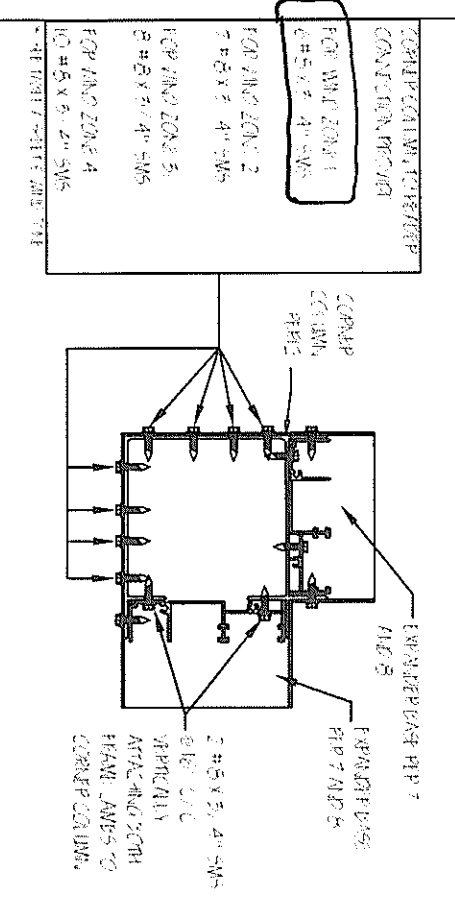
DATE: 2/19/79
 SCALE: NTS
 Drawn by: M/G
 REV: DATE:
 SHEET: 3 OF 5



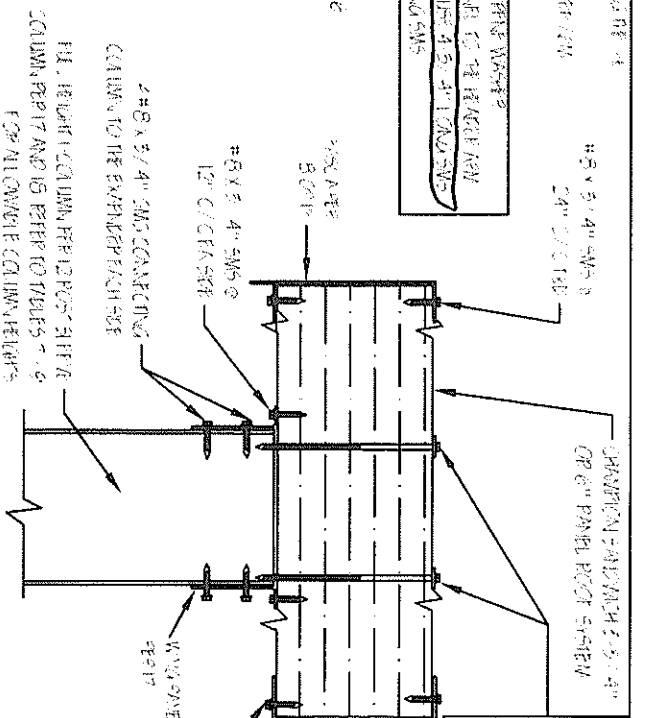
2/19/79



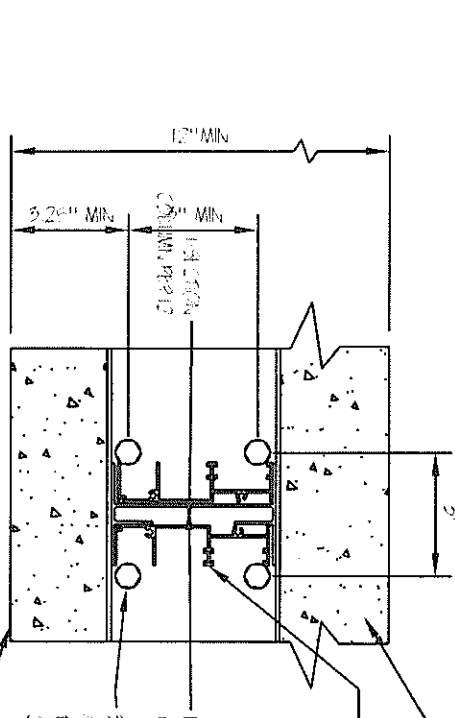
1 CORNER COLUMN TO ROOF CONNECTION



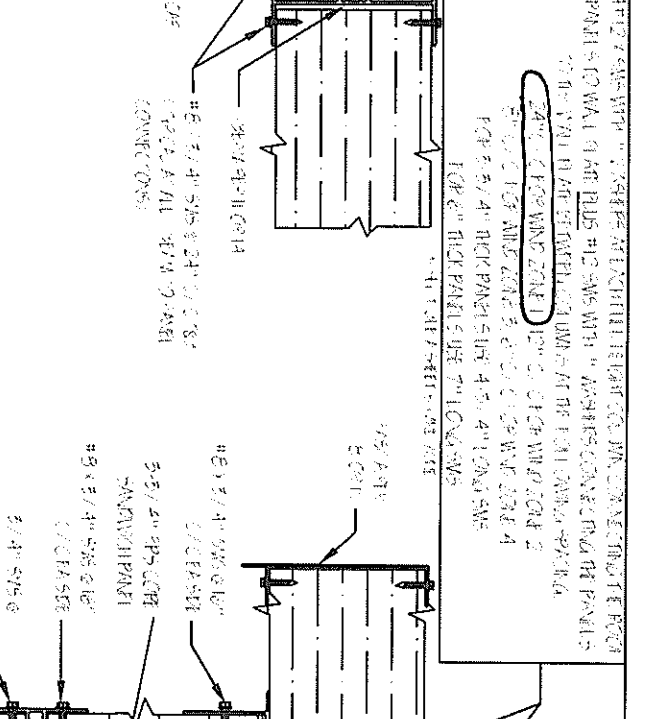
2 CORNER COLUMN TO BASE CONNECTION



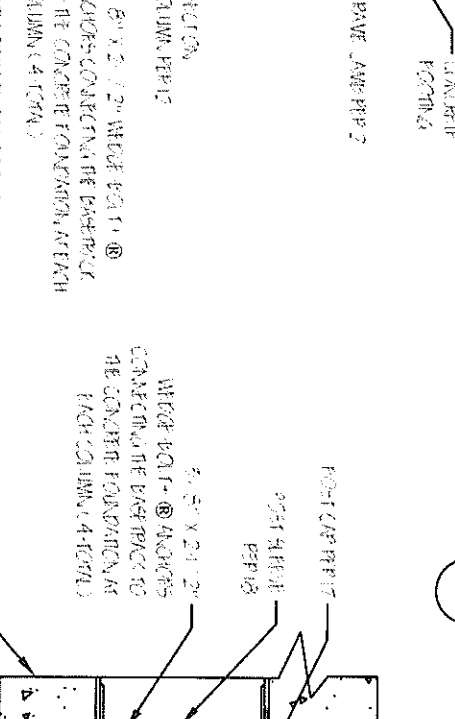
3 CORNER COLUMN TO ROOF CONNECTION



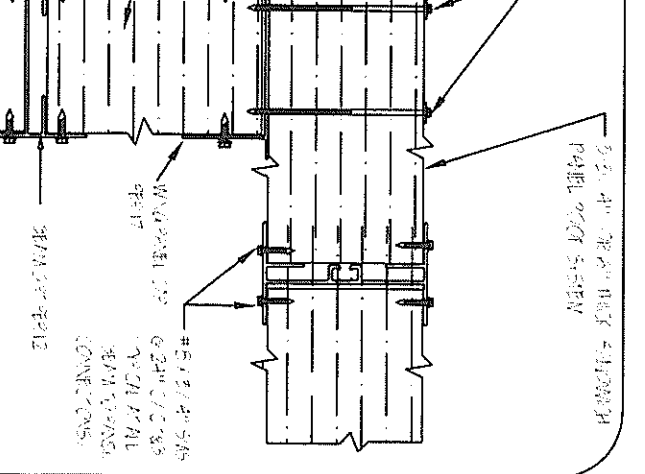
4 CONNECTION OF CENTER COLUMN PER 12 & 2 TO BASE, FOUNDATION



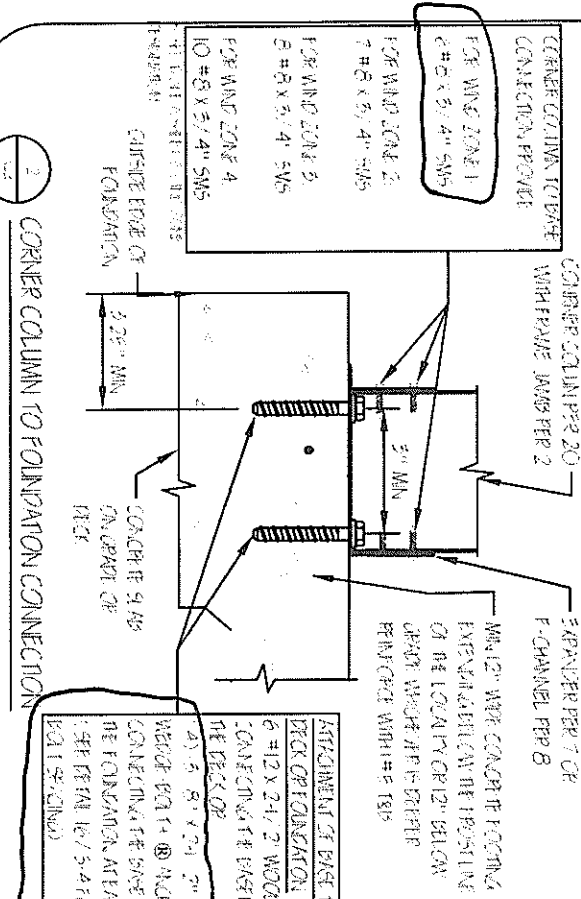
5 CORNER POST TO FOUNDATION CONNECTION



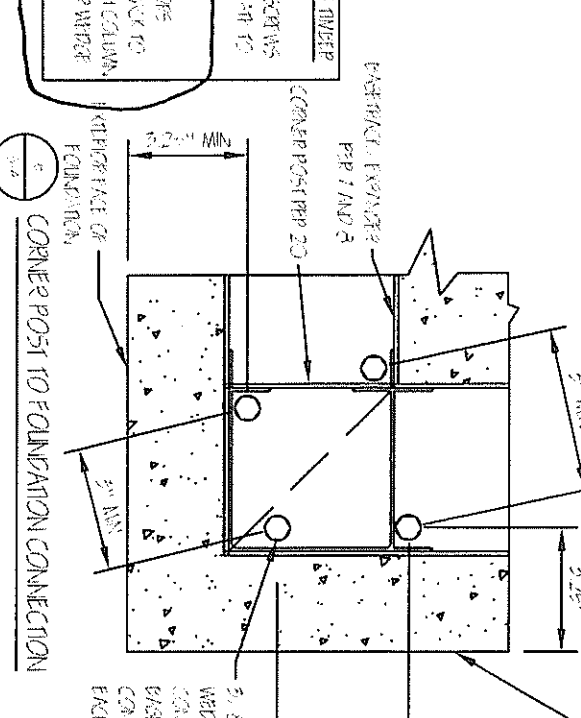
6 CONNECTION OF CENTER COLUMN PER 17 & 8 TO FOUNDATION



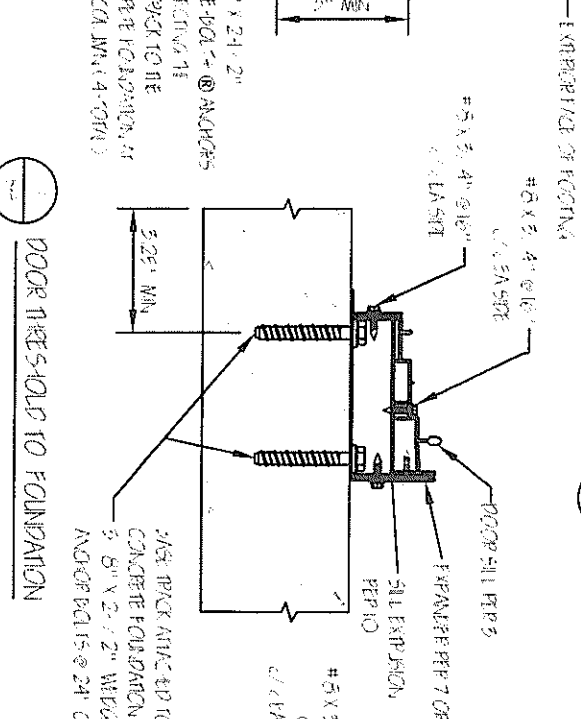
7 ROOF TO NON BEARING WALL CONNECTION



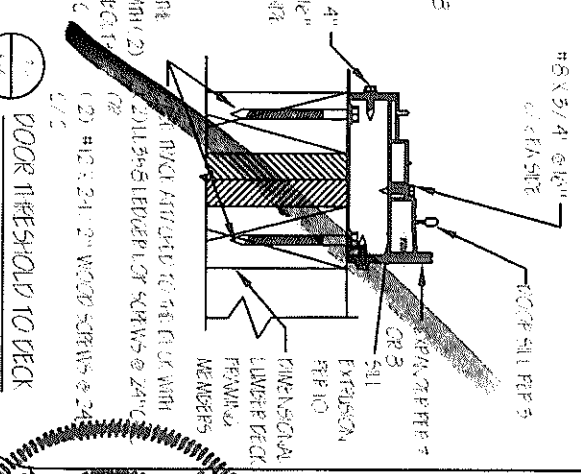
8 CORNER COLUMN TO FOUNDATION CONNECTION



9 CORNER POST TO FOUNDATION CONNECTION



10 DOOR THRESHOLD TO FOUNDATION



11 DOOR THRESHOLD TO DECK

CHAMPION WINDOWS AND PATIO ROOM
4" Wall System with Studio Style Roof

SECTION DETAILS

CES
CHAMPION ENCLOSURE SUPPLIERS
12111 CHAMPION WAY, CINCINNATI, OH 45241
PH: (513) 782-3900 FAX: (513) 782-3903

DATE: 2/13/19
SCALE: NTS
Drawn by: MJG
REV: DATE:

SHEET: 4 OF 5

SEAL
CHAMPION J. GOSSEL
NORTH CAROLINA PROFESSIONAL ENGINEER

2/13/19

TABLE A: WIND ZONE DESIGNATION BASED ON DESIGN WIND SPEED AND EXPOSURE

DESIGN WIND SPEED (MPH)	EXPOSURE B	EXPOSURE C	EXPOSURE D	EXPOSURE E
70	WIND ZONE 1	WIND ZONE 2	WIND ZONE 3	WIND ZONE 4
80	WIND ZONE 1	WIND ZONE 2	WIND ZONE 3	WIND ZONE 4
90	WIND ZONE 1	WIND ZONE 2	WIND ZONE 3	WIND ZONE 4
100	WIND ZONE 1	WIND ZONE 2	WIND ZONE 3	WIND ZONE 4
110	WIND ZONE 1	WIND ZONE 2	WIND ZONE 3	WIND ZONE 4
120	WIND ZONE 1	WIND ZONE 2	WIND ZONE 3	WIND ZONE 4
130	WIND ZONE 1	WIND ZONE 2	WIND ZONE 3	WIND ZONE 4
140	WIND ZONE 1	WIND ZONE 2	WIND ZONE 3	WIND ZONE 4
150	WIND ZONE 1	WIND ZONE 2	WIND ZONE 3	WIND ZONE 4
160	WIND ZONE 1	WIND ZONE 2	WIND ZONE 3	WIND ZONE 4
170	WIND ZONE 1	WIND ZONE 2	WIND ZONE 3	WIND ZONE 4
180	WIND ZONE 1	WIND ZONE 2	WIND ZONE 3	WIND ZONE 4
190	WIND ZONE 1	WIND ZONE 2	WIND ZONE 3	WIND ZONE 4
200	WIND ZONE 1	WIND ZONE 2	WIND ZONE 3	WIND ZONE 4

1. EXPOSURE CATEGORIES ARE AS DEFINED IN THE IBC, SECTION 601.5.2.
2. FOR REGIONS IN EXPOSURE CATEGORIES C AND D WITH MEAN ROOF HEIGHTS WITHIN 10 FEET OF THE GROUND SURFACE, THE DESIGN WIND SPEED SHALL BE INCREASED BY 10%.
3. THE DESIGN WIND SPEED SHALL BE INCREASED BY 10% FOR REGIONS IN EXPOSURE CATEGORIES C AND D WITH MEAN ROOF HEIGHTS WITHIN 10 FEET OF THE GROUND SURFACE.
4. THE DESIGN WIND SPEED SHALL BE INCREASED BY 10% FOR REGIONS IN EXPOSURE CATEGORIES C AND D WITH MEAN ROOF HEIGHTS WITHIN 10 FEET OF THE GROUND SURFACE.
5. THE DESIGN WIND SPEED SHALL BE INCREASED BY 10% FOR REGIONS IN EXPOSURE CATEGORIES C AND D WITH MEAN ROOF HEIGHTS WITHIN 10 FEET OF THE GROUND SURFACE.

TABLE 2: PERmitted LOADS (psf) ON WINDOW AND DOOR HEADERS

SPAN (ft)	WIND LOAD (psf)				SNOW LOAD (psf)			
	1	2	3	4	1	2	3	4
20	20	30	40	50	60	70	80	90
30	20	30	40	50	60	70	80	90
40	20	30	40	50	60	70	80	90
50	20	30	40	50	60	70	80	90
60	20	30	40	50	60	70	80	90
70	20	30	40	50	60	70	80	90
80	20	30	40	50	60	70	80	90
90	20	30	40	50	60	70	80	90
100	20	30	40	50	60	70	80	90
110	20	30	40	50	60	70	80	90
120	20	30	40	50	60	70	80	90
130	20	30	40	50	60	70	80	90
140	20	30	40	50	60	70	80	90
150	20	30	40	50	60	70	80	90
160	20	30	40	50	60	70	80	90
170	20	30	40	50	60	70	80	90
180	20	30	40	50	60	70	80	90
190	20	30	40	50	60	70	80	90
200	20	30	40	50	60	70	80	90

7. THE DESIGN WIND SPEED SHALL BE INCREASED BY 10% FOR REGIONS IN EXPOSURE CATEGORIES C AND D WITH MEAN ROOF HEIGHTS WITHIN 10 FEET OF THE GROUND SURFACE.

TABLE 1: ALLOWABLE SANDWICH ROOF PANEL SPANS (ft)

WIND SPEED (MPH)	SPAN (ft)									
	1	2	3	4	5	6	7	8	9	10
70	20	30	40	50	60	70	80	90	100	110
80	20	30	40	50	60	70	80	90	100	110
90	20	30	40	50	60	70	80	90	100	110
100	20	30	40	50	60	70	80	90	100	110
110	20	30	40	50	60	70	80	90	100	110
120	20	30	40	50	60	70	80	90	100	110
130	20	30	40	50	60	70	80	90	100	110
140	20	30	40	50	60	70	80	90	100	110
150	20	30	40	50	60	70	80	90	100	110
160	20	30	40	50	60	70	80	90	100	110
170	20	30	40	50	60	70	80	90	100	110
180	20	30	40	50	60	70	80	90	100	110
190	20	30	40	50	60	70	80	90	100	110
200	20	30	40	50	60	70	80	90	100	110

1. THE ALLOWABLE SPANS ARE BASED ON THE FOLLOWING ASSUMPTIONS:
2. THE ALLOWABLE SPANS ARE BASED ON THE FOLLOWING ASSUMPTIONS:
3. THE ALLOWABLE SPANS ARE BASED ON THE FOLLOWING ASSUMPTIONS:
4. THE ALLOWABLE SPANS ARE BASED ON THE FOLLOWING ASSUMPTIONS:
5. THE ALLOWABLE SPANS ARE BASED ON THE FOLLOWING ASSUMPTIONS:

TABLE 3: ALLOWABLE SPANS FOR HEADERS OVER DOOR AND WINDOW OPENINGS

SPAN (ft)	SPAN (ft)									
	1	2	3	4	5	6	7	8	9	10
20	20	30	40	50	60	70	80	90	100	110
30	20	30	40	50	60	70	80	90	100	110
40	20	30	40	50	60	70	80	90	100	110
50	20	30	40	50	60	70	80	90	100	110
60	20	30	40	50	60	70	80	90	100	110
70	20	30	40	50	60	70	80	90	100	110
80	20	30	40	50	60	70	80	90	100	110
90	20	30	40	50	60	70	80	90	100	110
100	20	30	40	50	60	70	80	90	100	110
110	20	30	40	50	60	70	80	90	100	110
120	20	30	40	50	60	70	80	90	100	110
130	20	30	40	50	60	70	80	90	100	110
140	20	30	40	50	60	70	80	90	100	110
150	20	30	40	50	60	70	80	90	100	110
160	20	30	40	50	60	70	80	90	100	110
170	20	30	40	50	60	70	80	90	100	110
180	20	30	40	50	60	70	80	90	100	110
190	20	30	40	50	60	70	80	90	100	110
200	20	30	40	50	60	70	80	90	100	110

7. THE DESIGN WIND SPEED SHALL BE INCREASED BY 10% FOR REGIONS IN EXPOSURE CATEGORIES C AND D WITH MEAN ROOF HEIGHTS WITHIN 10 FEET OF THE GROUND SURFACE.

TABLE 4: ALLOWABLE COLUMN SPACING BASED ON DOOR/WINDOW UNIT CAPACITY

WIND SPEED (MPH)	SPAN (ft)	SPAN (ft)	SPAN (ft)	SPAN (ft)
70	20	30	40	50
80	20	30	40	50
90	20	30	40	50
100	20	30	40	50
110	20	30	40	50
120	20	30	40	50
130	20	30	40	50
140	20	30	40	50
150	20	30	40	50
160	20	30	40	50
170	20	30	40	50
180	20	30	40	50
190	20	30	40	50
200	20	30	40	50

7. THE DESIGN WIND SPEED SHALL BE INCREASED BY 10% FOR REGIONS IN EXPOSURE CATEGORIES C AND D WITH MEAN ROOF HEIGHTS WITHIN 10 FEET OF THE GROUND SURFACE.

TABLE 5: ALLOWABLE HEIGHT OF NON-LOAD BEARING POST-SLEEVE COLUMN PERIT AND 2 ADJOINING AT LEAST ONE WINDOW

WIND SPEED (MPH)	SPAN (ft)	SPAN (ft)	SPAN (ft)	SPAN (ft)
70	20	30	40	50
80	20	30	40	50
90	20	30	40	50
100	20	30	40	50
110	20	30	40	50
120	20	30	40	50
130	20	30	40	50
140	20	30	40	50
150	20	30	40	50
160	20	30	40	50
170	20	30	40	50
180	20	30	40	50
190	20	30	40	50
200	20	30	40	50

7. THE DESIGN WIND SPEED SHALL BE INCREASED BY 10% FOR REGIONS IN EXPOSURE CATEGORIES C AND D WITH MEAN ROOF HEIGHTS WITHIN 10 FEET OF THE GROUND SURFACE.

TABLE 6: ALLOWABLE HEIGHT OF NON-LOAD BEARING COLUMN PERIT AND 2 ADJOINING AT LEAST ONE WINDOW

WIND SPEED (MPH)	SPAN (ft)	SPAN (ft)	SPAN (ft)	SPAN (ft)
70	20	30	40	50
80	20	30	40	50
90	20	30	40	50
100	20	30	40	50
110	20	30	40	50
120	20	30	40	50
130	20	30	40	50
140	20	30	40	50
150	20	30	40	50
160	20	30	40	50
170	20	30	40	50
180	20	30	40	50
190	20	30	40	50
200	20	30	40	50

7. THE DESIGN WIND SPEED SHALL BE INCREASED BY 10% FOR REGIONS IN EXPOSURE CATEGORIES C AND D WITH MEAN ROOF HEIGHTS WITHIN 10 FEET OF THE GROUND SURFACE.

TABLE 7: ALLOWABLE HEIGHT OF NON-LOAD BEARING COLUMN PERIT AND 2 ADJOINING AT LEAST ONE WINDOW

WIND SPEED (MPH)	SPAN (ft)	SPAN (ft)	SPAN (ft)	SPAN (ft)
70	20	30	40	50
80	20	30	40	50
90	20	30	40	50
100	20	30	40	50
110	20	30	40	50
120	20	30	40	50
130	20	30	40	50
140	20	30	40	50
150	20	30	40	50
160	20	30	40	50
170	20	30	40	50
180	20	30	40	50
190	20	30	40	50
200	20	30	40	50

7. THE DESIGN WIND SPEED SHALL BE INCREASED BY 10% FOR REGIONS IN EXPOSURE CATEGORIES C AND D WITH MEAN ROOF HEIGHTS WITHIN 10 FEET OF THE GROUND SURFACE.

- GENERAL NOTES AND SPECIFICATIONS**
1. THE SYSTEM DESCRIBED IN THIS DRAWING IS FOR USE IN AREAS WITH DESIGN WIND SPEEDS UP TO 150 MPH.
 2. THE SYSTEM DESCRIBED IN THIS DRAWING IS FOR USE IN AREAS WITH DESIGN WIND SPEEDS UP TO 150 MPH.
 3. THE SYSTEM DESCRIBED IN THIS DRAWING IS FOR USE IN AREAS WITH DESIGN WIND SPEEDS UP TO 150 MPH.
 4. THE SYSTEM DESCRIBED IN THIS DRAWING IS FOR USE IN AREAS WITH DESIGN WIND SPEEDS UP TO 150 MPH.
 5. THE SYSTEM DESCRIBED IN THIS DRAWING IS FOR USE IN AREAS WITH DESIGN WIND SPEEDS UP TO 150 MPH.
 6. THE SYSTEM DESCRIBED IN THIS DRAWING IS FOR USE IN AREAS WITH DESIGN WIND SPEEDS UP TO 150 MPH.
 7. THE SYSTEM DESCRIBED IN THIS DRAWING IS FOR USE IN AREAS WITH DESIGN WIND SPEEDS UP TO 150 MPH.
 8. THE SYSTEM DESCRIBED IN THIS DRAWING IS FOR USE IN AREAS WITH DESIGN WIND SPEEDS UP TO 150 MPH.
 9. THE SYSTEM DESCRIBED IN THIS DRAWING IS FOR USE IN AREAS WITH DESIGN WIND SPEEDS UP TO 150 MPH.
 10. THE SYSTEM DESCRIBED IN THIS DRAWING IS FOR USE IN AREAS WITH DESIGN WIND SPEEDS UP TO 150 MPH.
- MECHANICAL FASTENERS**
1. ALL FASTENERS SHALL BE AS MANUFACTURED BY THE MANUFACTURER.
 2. ALL FASTENERS SHALL BE AS MANUFACTURED BY THE MANUFACTURER.
 3. ALL FASTENERS SHALL BE AS MANUFACTURED BY THE MANUFACTURER.
 4. ALL FASTENERS SHALL BE AS MANUFACTURED BY THE MANUFACTURER.
 5. ALL FASTENERS SHALL BE AS MANUFACTURED BY THE MANUFACTURER.
 6. ALL FASTENERS SHALL BE AS MANUFACTURED BY THE MANUFACTURER.
 7. ALL FASTENERS SHALL BE AS MANUFACTURED BY THE MANUFACTURER.
 8. ALL FASTENERS SHALL BE AS MANUFACTURED BY THE MANUFACTURER.
 9. ALL FASTENERS SHALL BE AS MANUFACTURED BY THE MANUFACTURER.
 10. ALL FASTENERS SHALL BE AS MANUFACTURED BY THE MANUFACTURER.

CES
CHAMPION ENCLOSURE SUPPLIERS
 12111 CHAMPION WAY, CINCINNATI, OH 45241
 PH: (513) 782-3900 FAX: (513) 782-3903

CHAMPION WINDOWS AND PATIO ROOM
4" Wall System with Studio Style Roof
DESIGN TABLES AND NOTES

DATE: 2/13/19
 SCALE: NTS
 Drawn by: MUG
 REV: 2016-02 7/19/19
 2015-02 8/18/19
 DRAWN BY: MUG
 SHEET: 5 OF 5

SEAL
02/13/19
ENGINEER
MARTIN J. GUS
NORTH CAROLINA PROFESSIONAL SEAL