

GREAT DAY IMPROVEMENTS, RALEIGH
WATSON RESIDENCE

MINIMUM DESIGN LOADS: (PER 2018 NC RESIDENTIAL BUILDING CODE / 2015 IRC)

SUNROOM CATEGORY II (PER 2015 IRC R301.2.1.1.1 & AAMA / NPEA / NSA 2100)

DEAD LOADS:
1. ROOF: 15 PSF
2. WALLS: 20 PSF
3. FLOOR: 10 PSF

SNOW LOADS: GROUND SNOW LOAD 20 PSF

ULTIMATE DESIGN WIND SPEED: 115 MPH, 3 SEC. GUSTS

LIVE LOADS:
1. ROOF: 40 PSF
2. FLOOR: 40 PSF

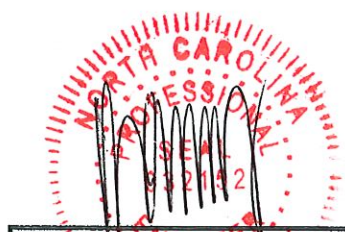
THIS SUNROOM IS NOT TO BE CONDITIONED OR USED AS A PERMANENT LIVING AREA.

- NOTES:
1. ALLVIEW (CA5) SUNROOM; WHITE IN COLOR
 2. CONSTRUCT SUNROOM ON EXISTING DECK & UNDER EXISTING ROOF
 3. NO HEAT BY GDI; ELECTRICAL BY GDI
 4. ALL LUMBER TO BE SYP #2 OR BETTER AND PRESSURE TREATED WHERE REQUIRED
 5. THIS SUNROOM IS CONSIDERED AS NON-CONDITIONED SPACE, EXEMPT FROM ENERGY REQUIREMENTS (PER 2015 IRC SECTION N1102.1, NOTE 2)

DRAWING #	DESCRIPTION
1	COVER
2	ELEVATION "B" WALL
3	ELEVATION "A" & "C" WALL
4	FOUNDATION PLAN
5	ELECTRICAL PLAN
6	FLOOR PLAN
7	SYSTEM DETAILS
8	SYSTEM DETAILS

NOTE: THIS STRUCTURE HAS BEEN EVALUATED FOR VERTICAL AND LATERAL LOADS REQUIRED BY THE 2018 NORTH CAROLINA RESIDENTIAL BUILDING CODE.

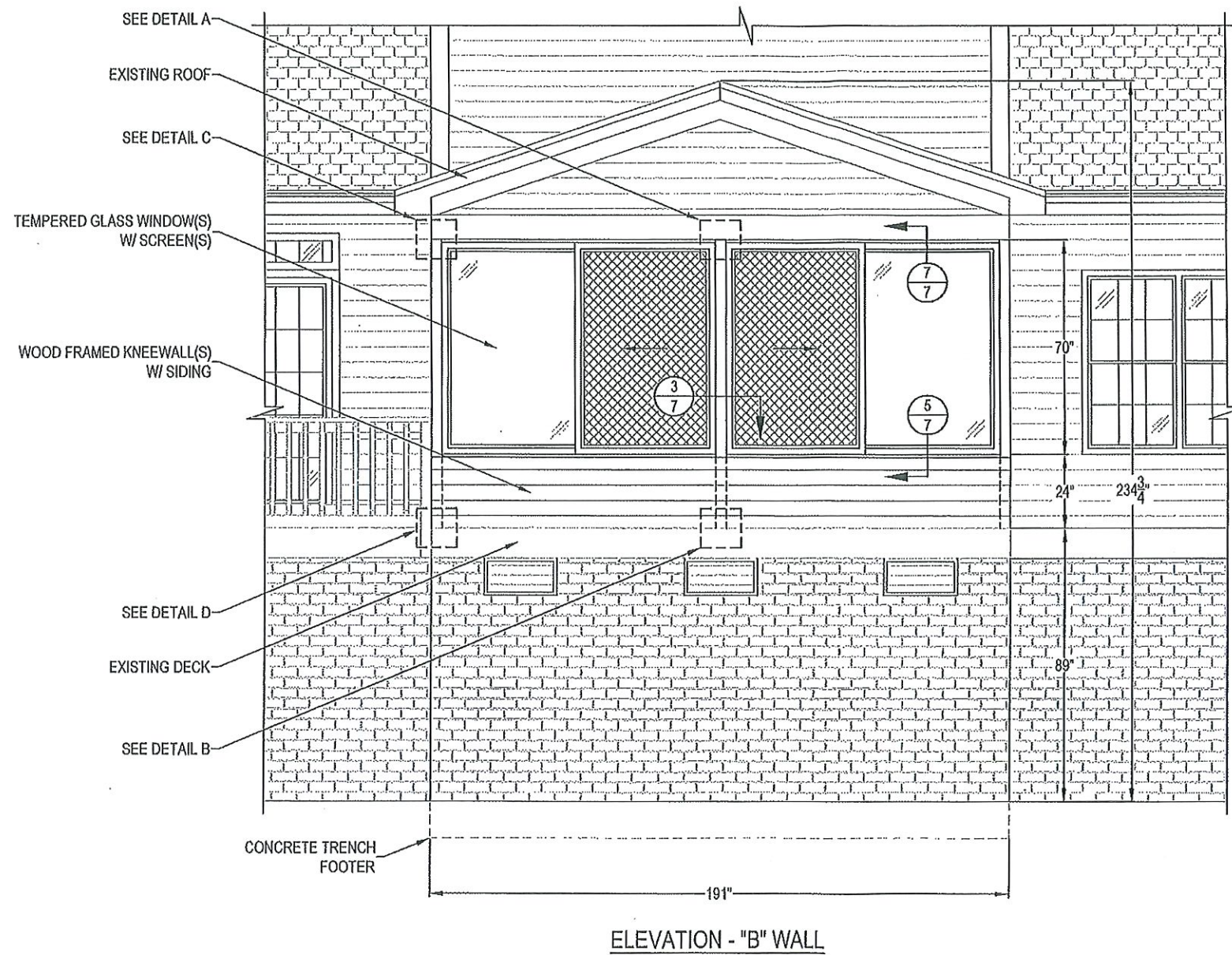
SQUARE FOOTAGE OF SUNROOM = 128



JAMES A. CLANCY, P.E., L.S.
NC PROFESSIONAL ENGINEER (NC LIC. #32152)
601 ASBURY AVENUE
NATIONAL PARK, NJ. 08063
PH. # 856-853-7306

LOCATION	GDI - RALEIGH 951 AVIATION PKWY, SUITE 1000 MORRISVILLE, NC. 27560 984-212-8850
	KEN WATSON 960 CAROLINA WAY SANFORD, NC 27332 JOB #20225
DATE	1/22/21
DRAWN	MTS
SCALE	1/4" = 1'-0"
SHEET	1 OF 8

THIS DRAWING IS PROPERTY OF GREAT DAY IMPROVEMENTS, LLC., AND DUPLICATION OF THIS DRAWING WITHOUT OUR EXPRESSED WRITTEN CONSENT IS PROHIBITED. ALL RIGHTS RESERVED.



LOCATION
 GDI - RALEIGH
 951 AVIATION PKWY, SUITE 1000
 MORRISVILLE, NC. 27560
 984-212-8850

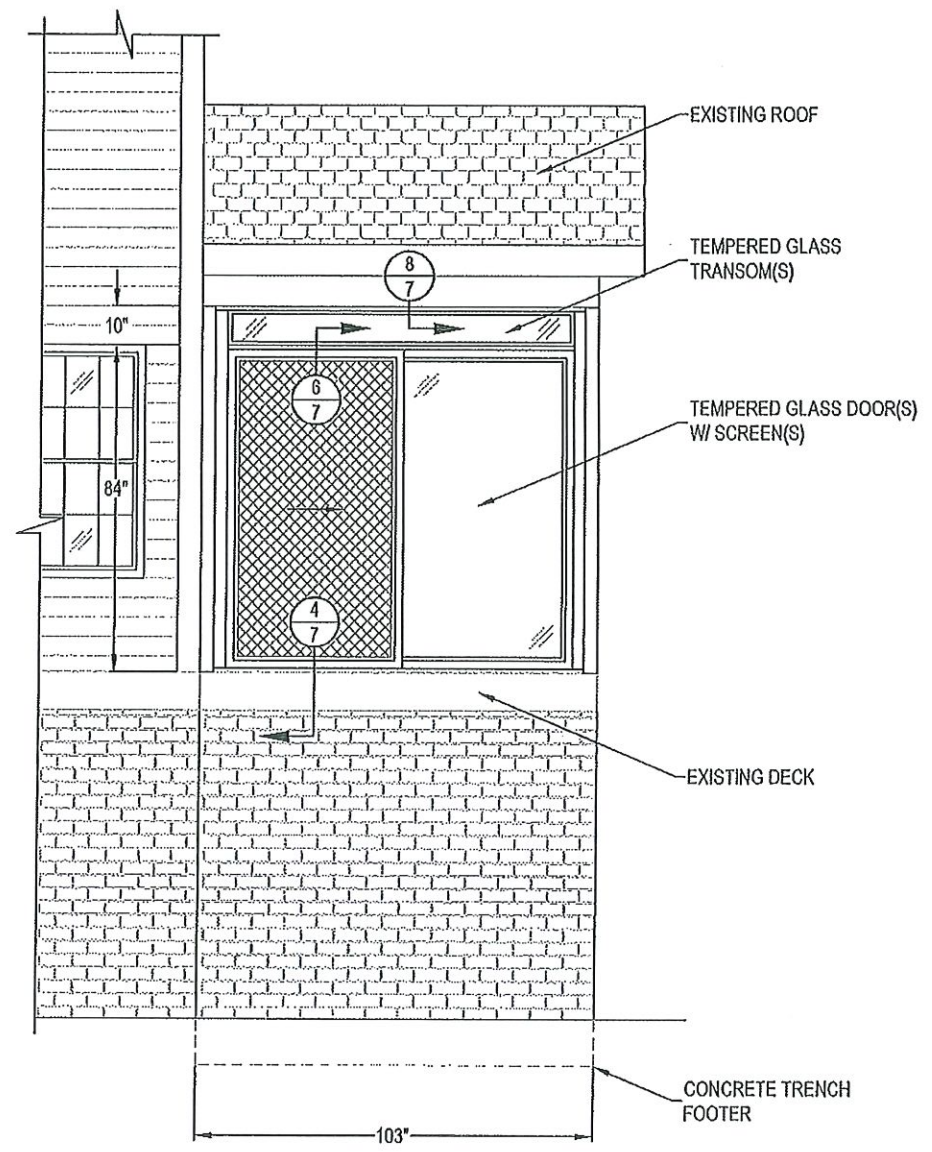
KEN WATSON
 960 CAROLINA WAY
 SANFORD, NC 27332
 JOB #20225

DATE	1/22/21
DRAWN	MTS
SCALE	1/4" = 1'-0"
SHEET	2 OF 8

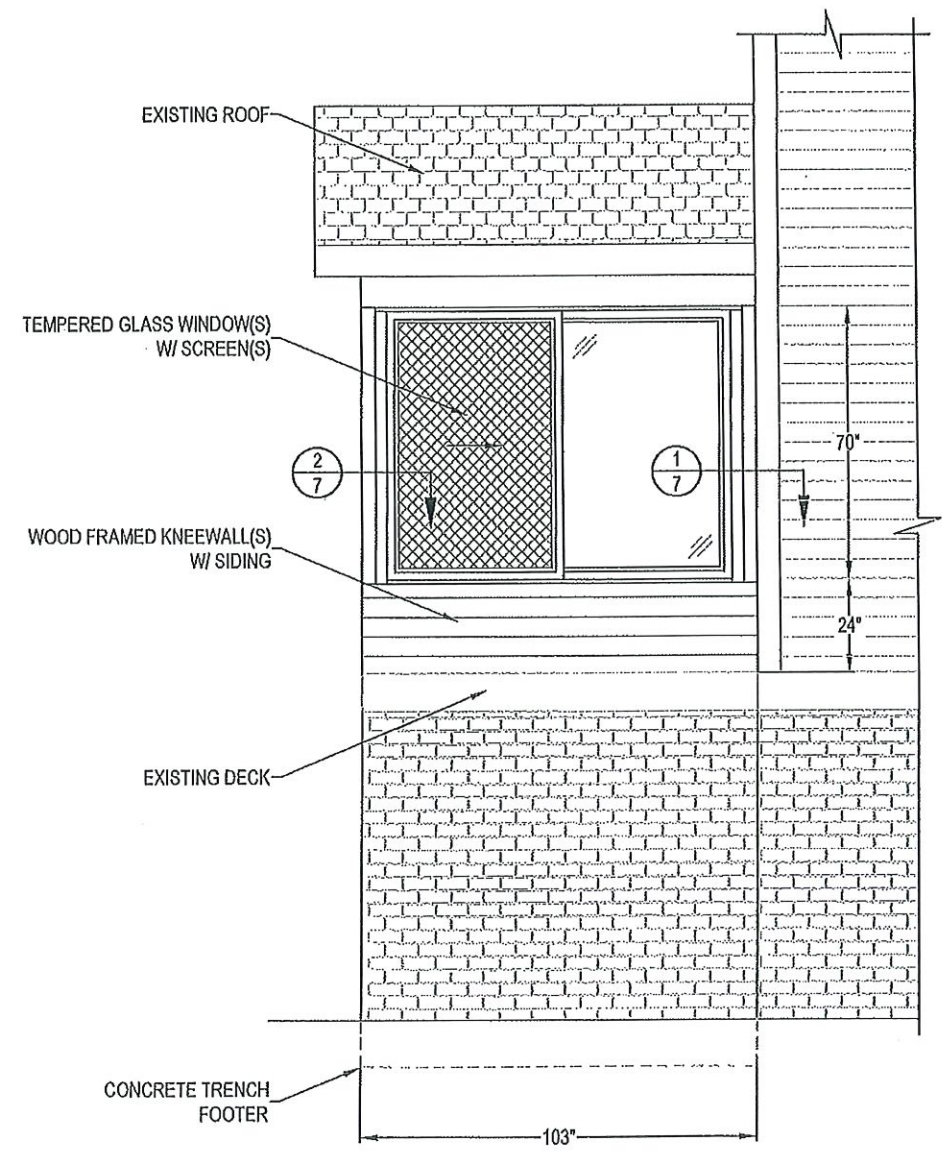


JAMES A. CLANCY, L.S.
 NC. PROFESSIONAL ENGINEER (NC. LIC. #32152)
 601 ASBURY AVENUE
 NATIONAL PARK, N.J. 08063
 PH. # 856-853-7306

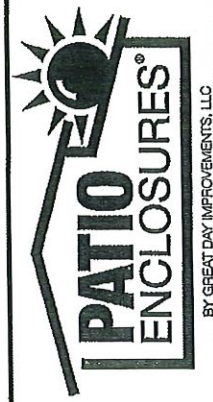
THIS DRAWING IS PROPERTY OF GREAT DAY IMPROVEMENTS, LLC., AND DUPLICATION OF THIS DRAWING WITHOUT OUR EXPRESSED WRITTEN CONSENT IS PROHIBITED. ALL RIGHTS RESERVED.



ELEVATION - "A" WALL
(RAILING NOT SHOWN FOR CLARITY)



ELEVATION - "C" WALL



LOCATION
GDI - RALEIGH
951 AVIATION PKWY, SUITE 1000
MORRISVILLE, NC. 27560
984-212-8850

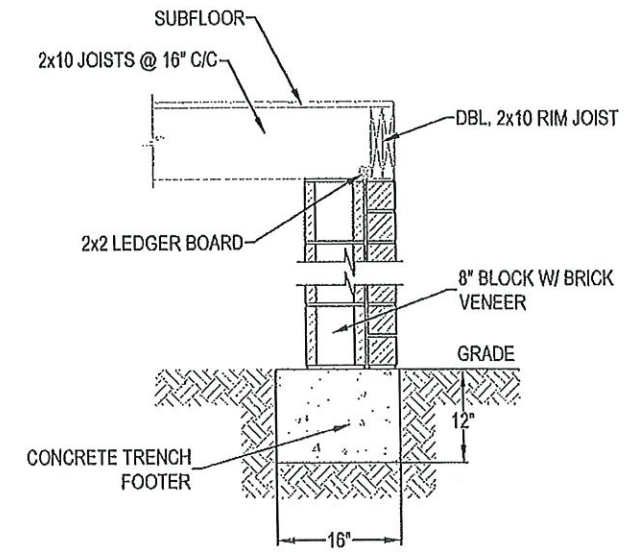
KEN WATSON
960 CAROLINA WAY
SANFORD, NC 27332
JOB #20225



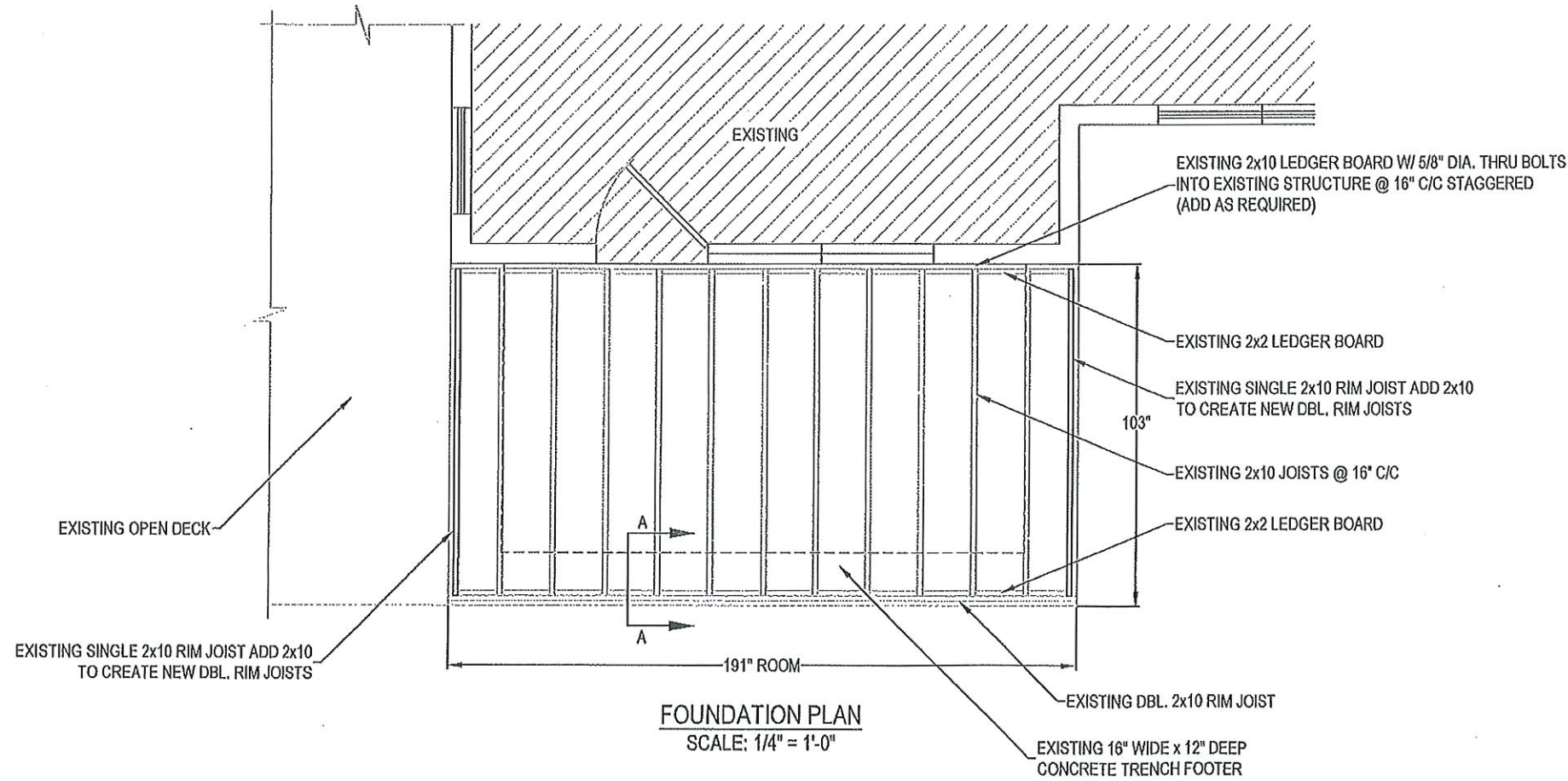
JAMES A. CLANGY, P.E., L.S.
NC. PROFESSIONAL ENGINEER (NC. LIC. #32152)
601 ASBURY AVENUE
NATIONAL PARK, NJ. 08063
PH. # 856-853-7306

DATE	1/22/21
DRAWN	MTS
SCALE	1/4" = 1'-0"
SHEET	3 OF 8

THIS DRAWING IS PROPERTY OF GREAT DAY IMPROVEMENTS, LLC, AND DUPLICATION OF THIS DRAWING WITHOUT OUR EXPRESSED WRITTEN CONSENT IS PROHIBITED. ALL RIGHTS RESERVED.



SECTION A-A
SCALE: 1/2" = 1'-0"



FOUNDATION PLAN
SCALE: 1/4" = 1'-0"

NOTE: ALL NEW LUMBER TO BE SOUTHERN YELLOW PINE

LOCATION
GDI - RALEIGH
951 AVIATION PKWY, SUITE 1000
MORRISVILLE, NC. 27560
984-212-8850

KEN WATSON
960 CAROLINA WAY
SANFORD, NC 27332
JOB #20225

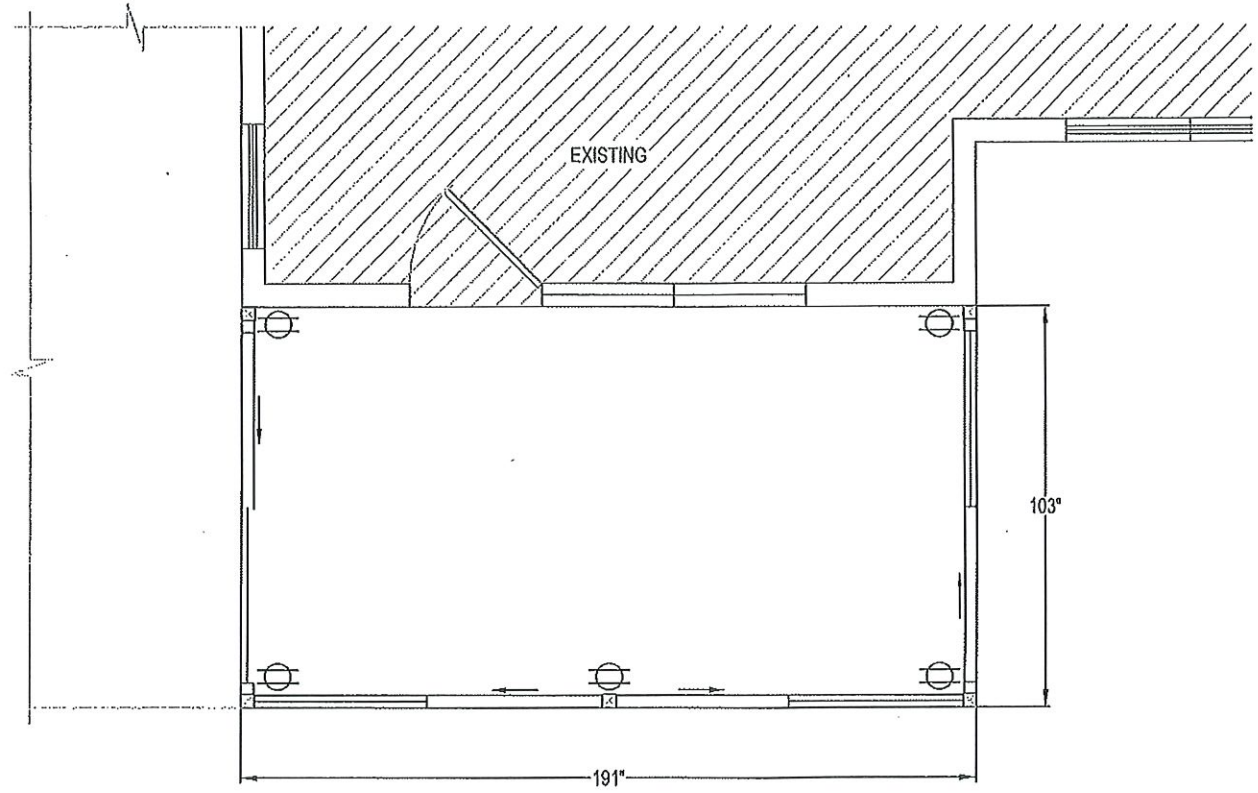


JAMES A. CLANCY, P.E., L.S.
NC. PROFESSIONAL ENGINEER (NC. LIC. #32152)
601 ASBURY AVENUE
NATIONAL PARK, NJ. 08063
PH. # 856-853-7306

cl/27/21

DATE	1/22/21
DRAWN	MTS
SCALE	AS NOTED
SHEET	4 OF 8

THIS DRAWING IS PROPERTY OF GREAT DAY IMPROVEMENTS, LLC, AND DUPLICATION OF THIS DRAWING WITHOUT OUR EXPRESSED WRITTEN CONSENT IS PROHIBITED. ALL RIGHTS RESERVED.



ELECTRICAL PLAN

GDI ELECTRICAL SYMBOL LEGEND

 DUPLEX RECEPTACLE

LOCATION
 GDI - RALEIGH
 951 AVIATION PKWY, SUITE 1000
 MORRISVILLE, NC. 27560
 984-212-8850


KEN WATSON
 960 CAROLINA WAY
 SANFORD, NC 27332
 JOB #20225

DATE 1/22/21

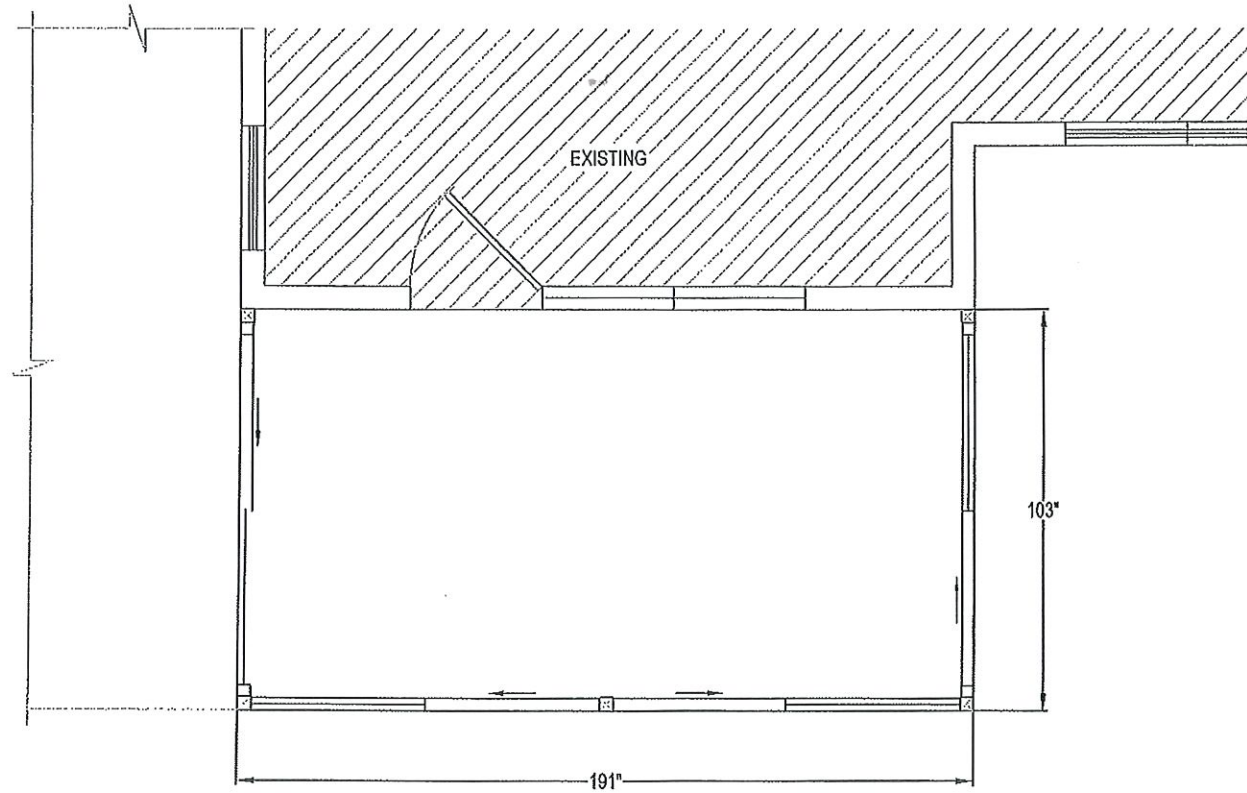
DRAWN MTS

SCALE 1/4" = 1'-0"

SHEET 5 OF 8


 JAMES A. CLANCY, P.E., E.S.
 NC. PROFESSIONAL ENGINEER (NC. LIC. #32152)
 601 ASBURY AVENUE
 NATIONAL PARK, NJ. 08063
 PH. # 856-853-7306

THIS DRAWING IS PROPERTY OF GREAT DAY IMPROVEMENTS, LLC, AND DUPLICATION OF THIS DRAWING WITHOUT OUR EXPRESSED WRITTEN CONSENT IS PROHIBITED. ALL RIGHTS RESERVED.



FLOOR PLAN



LOCATION
 GDI - RALEIGH
 951 AVIATION PKWY, SUITE 1000
 MORRISVILLE, NC. 27560
 984-212-8850

KEN WATSON
 960 CAROLINA WAY
 SANFORD, NC 27332
 JOB #20225

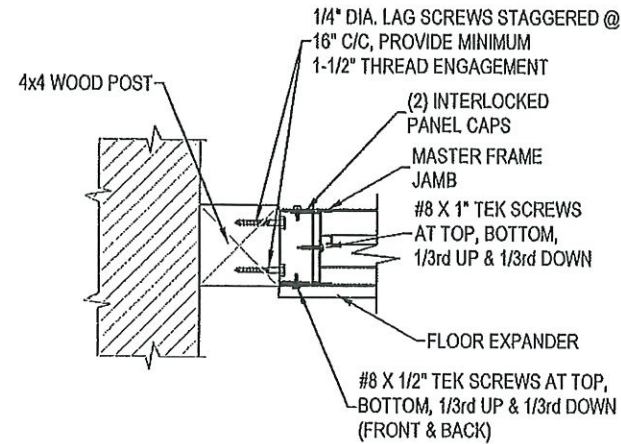


JAMES A. OLANCY, P.E., L.S.
 NC. PROFESSIONAL ENGINEER (NC. L.I.C. #32152)
 601 ASBURY AVENUE
 NATIONAL PARK, N.J. 08063
 PH. # 856-853-7306

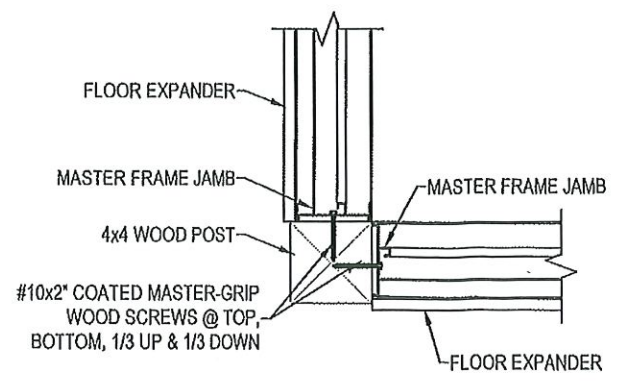
01/22/21

DATE	1/22/21
DRAWN	MTS
SCALE	1/4" = 1'-0"
SHEET	6 OF 8

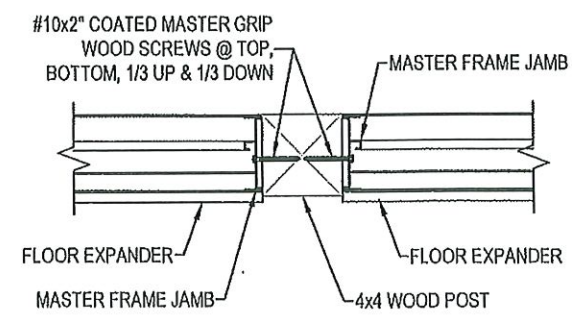
THIS DRAWING IS PROPERTY OF GREAT DAY IMPROVEMENTS, LLC, AND DUPLICATION OF THIS DRAWING WITHOUT OUR EXPRESSED WRITTEN CONSENT IS PROHIBITED. ALL RIGHTS RESERVED.



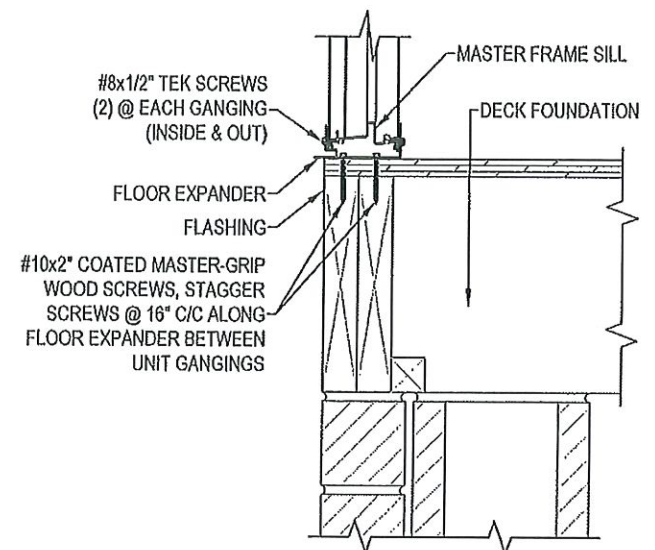
1
7 PLAN VIEW OF MASTER FRAME JAMBS CONNECTION @ EXISTING WALL



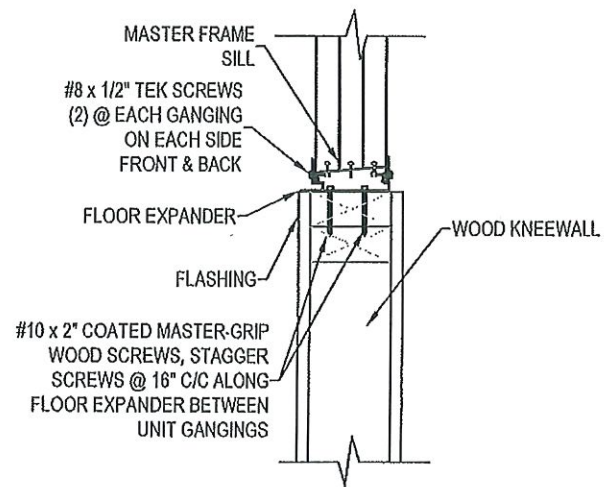
2
7 PLAN VIEW OF MASTER FRAME JAMBS CONNECTION @ 4x4 WOOD POST



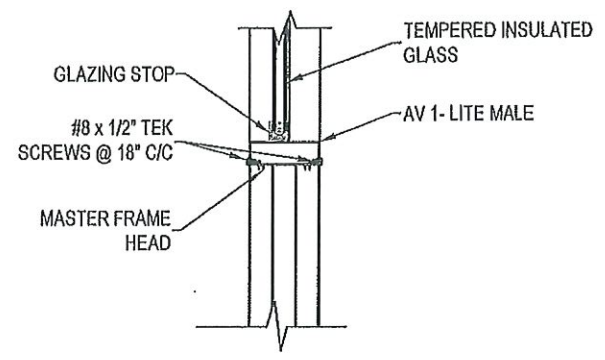
3
7 PLAN VIEW OF MASTER FRAME JAMBS CONNECTION @ 4x4 WOOD POST



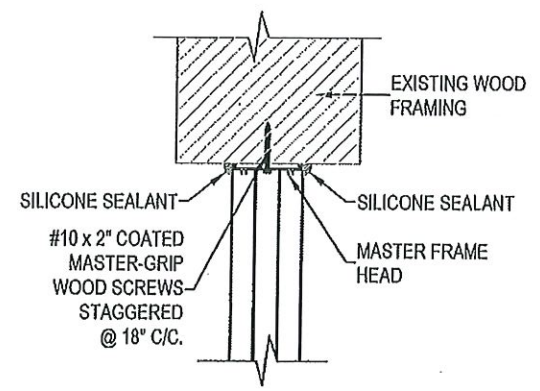
4
7 SECTION THROUGH MASTER FRAME SILL CONNECTION @ DECK FOUNDATION



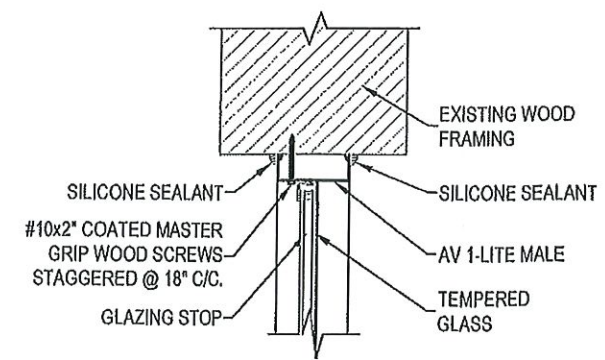
5
7 SECTION THROUGH MASTER FRAME SILL CONNECTION @ WOOD KNEEWALL



6
7 SECTION THROUGH MASTER FRAME HEAD CONNECTION @ GLASS TRANSOM



7
7 SECTION THROUGH MASTER FRAME HEAD CONNECTION @ EXISTING HEADER



8
7 SECTION THROUGH GLASS TRANSOM CONNECTION @ EXISTING HEADER



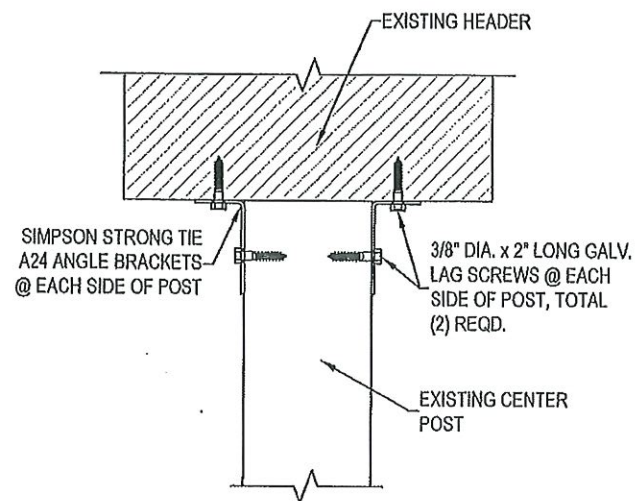
LOCATION
GDI - RALEIGH
951 AVIATION PKWY, SUITE 1000
MORRISVILLE, NC. 27560
984-212-8850

KEN WATSON
960 CAROLINA WAY
SANFORD, NC 27332
JOB #20225

JAMES A. CLANCY, P.E., L.S.
NC. PROFESSIONAL ENGINEER (NC. LIC. #32152)
601 ASBURY AVENUE
NATIONAL PARK, NJ. 08063
PH. # 856-853-7306

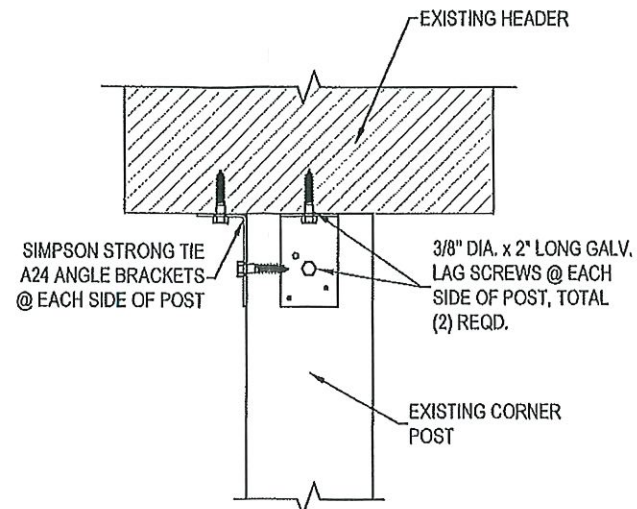
DATE	1/22/21
DRAWN	MTS
SCALE	1 1/2" = 1'-0"
SHEET	7 OF 8

THIS DRAWING IS PROPERTY OF GREAT DAY IMPROVEMENTS, LLC., AND DUPLICATION OF THIS DRAWING WITHOUT OUR EXPRESSED WRITTEN CONSENT IS PROHIBITED. ALL RIGHTS RESERVED.



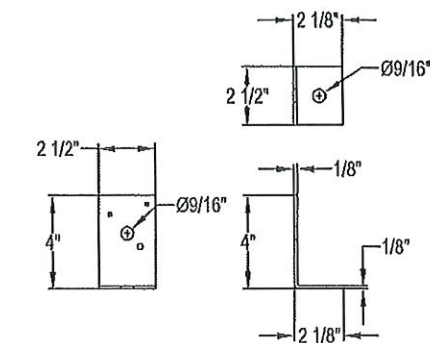
FRONT VIEW THROUGH EXISTING CENTER POST CONNECTION @ HEADER (ALL CENTER POSTS)

DETAIL A

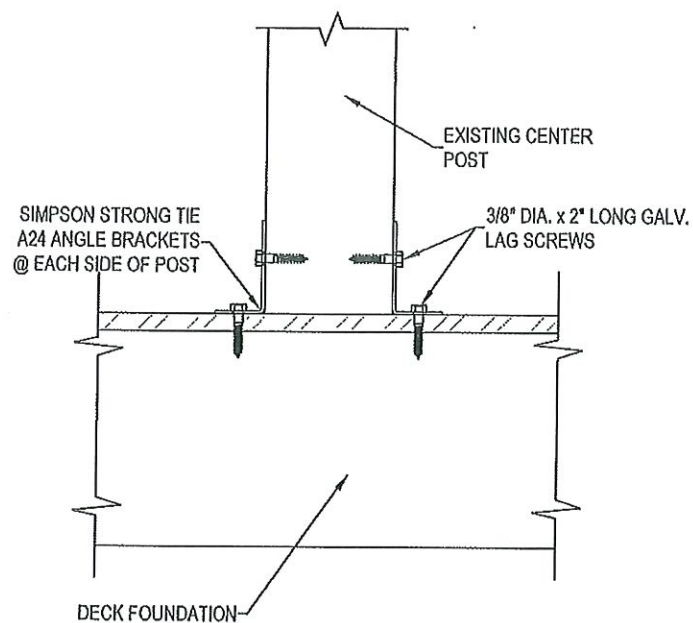


FRONT VIEW THROUGH EXISTING CORNER POST CONNECTION @ HEADER (ALL CORNER POSTS)

DETAIL C

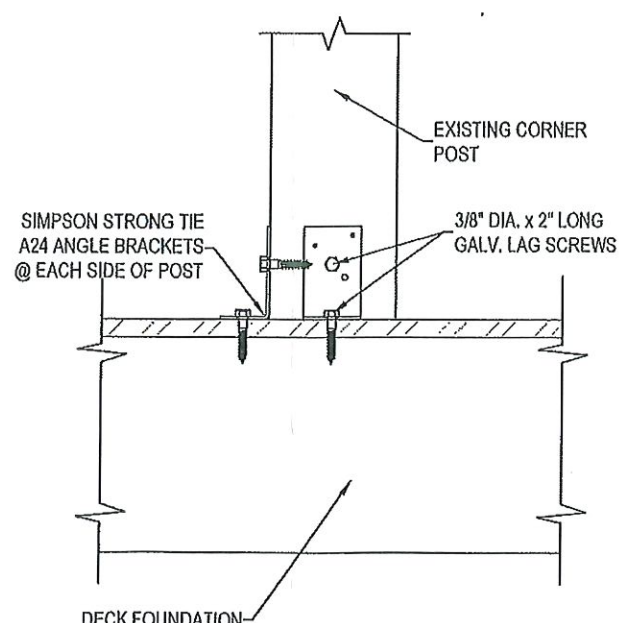


SIMPSON STRONG TIE A24 ANGLE BRACKET



FRONT VIEW THROUGH EXISTING CENTER POST CONNECTION @ DECK (ALL CENTER POSTS)

DETAIL B



FRONT VIEW THROUGH EXISTING CORNER POST CONNECTION @ DECK (ALL CORNER POSTS)

DETAIL D



LOCATION
GDI - RALEIGH
951 AVIATION PKWY, SUITE 1000
MORRISVILLE, NC. 27560
984-212-8850

KEN WATSON
960 CAROLINA WAY
SANFORD, NC 27332
JOB #20225

DATE	1/22/21
DRAWN	MTS
SCALE	1 1/2" = 1'-0"
SHEET	8 OF 8

JAMES A. CLANCY, P.E., L.S.
NC. PROFESSIONAL ENGINEER (NC. LIC. #32152)
601 ASBURY AVENUE
NATIONAL PARK, NJ, 08063
PH. # 856-853-7306



THIS DRAWING IS PROPERTY OF GREAT DAY IMPROVEMENTS, LLC, AND DUPLICATION OF THIS DRAWING WITHOUT OUR EXPRESSED WRITTEN CONSENT IS PROHIBITED. ALL RIGHTS RESERVED.