

Eagle Carports

"Flying High with Great Deals"



STRUCTURAL DESIGN

STANDARD PACKAGE

ENCLOSED BUILDING

MAXIMUM 30'- 0" WIDE X 16'- 0" HEIGHT-
BOX EAVE FRAME AND BOW FRAME

11 November 2016
Revision 1
M&A Project No. 16166S

Prepared for:

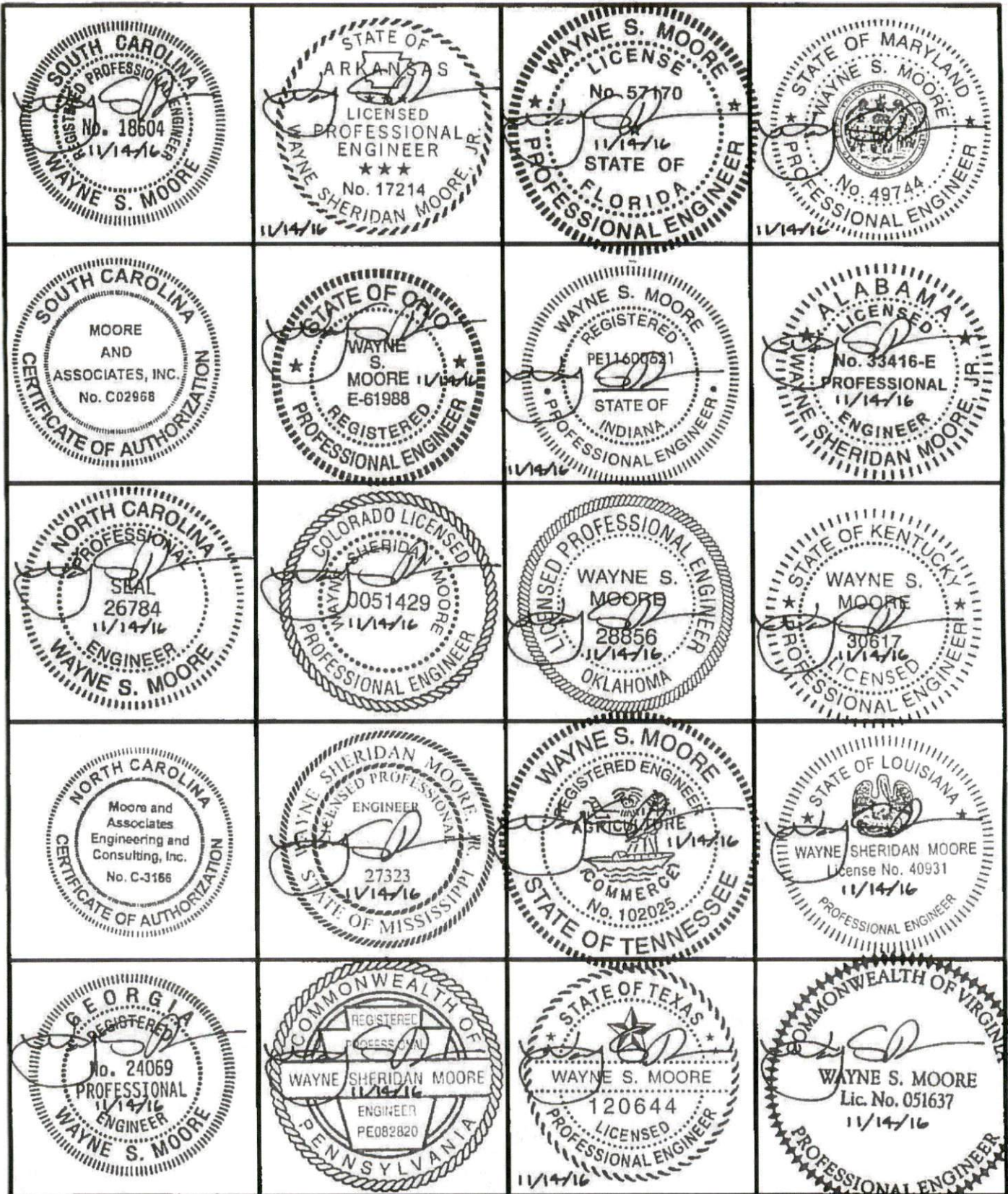
Eagle Carports
210 Airport Road
Mount Airy, NC 27030

Prepared by:

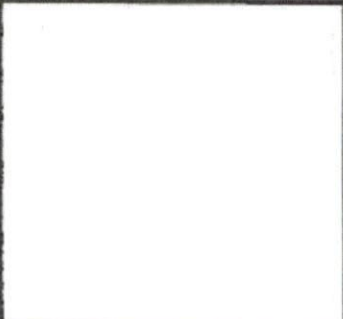
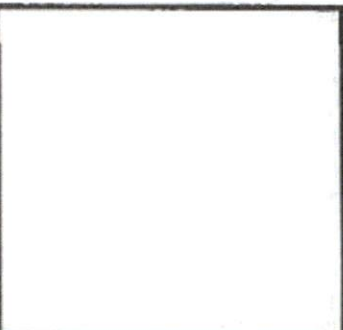
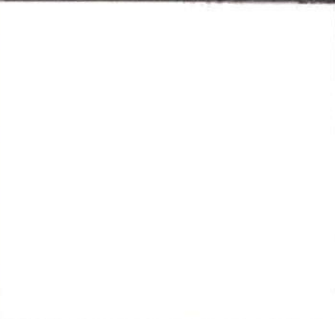
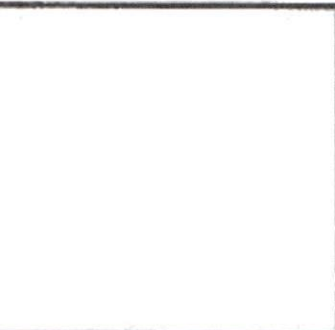
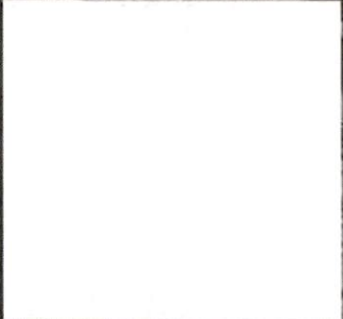
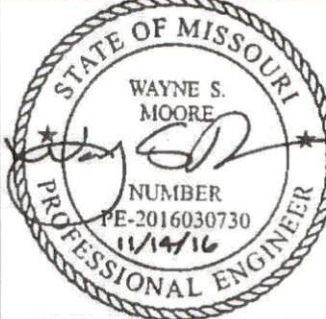
Moore and Associates Engineering and Consulting, Inc.
1009 East Avenue
North Augusta, SC 29841



MOORE AND ASSOCIATES
ENGINEERING AND CONSULTING



MOORE AND ASSOCIATES ENGINEERING AND CONSULTING, INC.		DRAWN BY: LT		EAGLE CARPORTS 30'x16' SP ENCLOSED STRUCTURE PE SEAL COVER SHEET	
		CHECKED BY: PDM			
<small>THIS DOCUMENT IS THE PROPERTY OF MOORE AND ASSOCIATES ENGINEERING AND CONSULTING, INC. THE UNAUTHORIZED REPRODUCTION, COPYING, OR OTHERWISE USE OF THIS DOCUMENT IS STRICTLY PROHIBITED AND ANY INFRINGEMENT THEREUPON MAY BE SUBJECT TO LEGAL ACTION.</small>		PROJECT MGR: WSH		DATE: 11-11-16	SCALE: NTS
		CLIENT: -		SHT. 1	DWG. NO: SK-3



**MOORE AND ASSOCIATES
ENGINEERING AND CONSULTING, INC.**

DRAWN BY: LT

CHECKED BY: PDH

PROJECT NO: VSH

CLIENT: -

**EAGLE CARPORTS
30'x16' SP ENCLOSED STRUCTURE
PE SEAL COVER SHEET**

DATE: 11-11-16

SCALE: NTS

JOB NO: 16165

SHT. 1

DWG. NO: SK-3

REV: 1

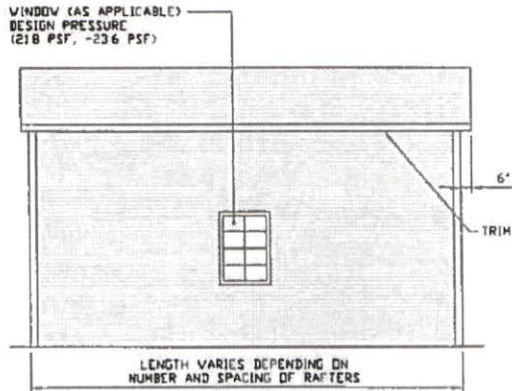
THIS DOCUMENT IS THE PROPERTY OF MOORE AND ASSOCIATES ENGINEERING AND CONSULTING. THE UNAUTHORIZED REPRODUCTION, COPYING, OR OTHERWISE USE OF THIS DOCUMENT IS STRICTLY PROHIBITED AND ANY INFRINGEMENT THEREUPON MAY BE SUBJECT TO LEGAL ACTION.

DRAWING INDEX

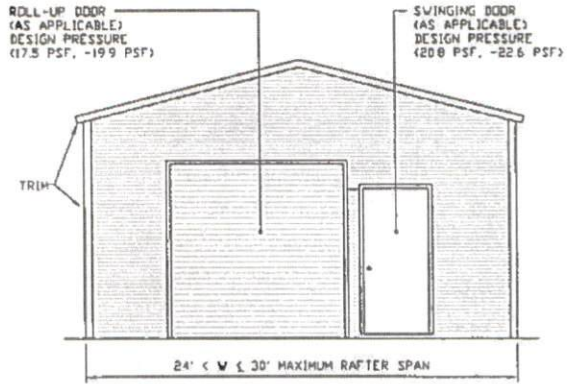
SHEET 1	PE SEAL COVER SHEET
SHEET 2	DRAWING INDEX
SHEET 3	INSTALLATION NOTES AND SPECIFICATIONS AND TYPICAL SIDE AND END ELEVATIONS
SHEET 4	TYPICAL RAFTER/COLUMN END AND SIDE FRAMING SECTION (BOX EAVE RAFTER)
SHEET 5A	COLUMN CONNECTION DETAILS (BOX EAVE STRUCTURE)
SHEET 5B	COLUMN CONNECTION DETAILS (BOX EAVE STRUCTURE)
SHEET 6	TYPICAL RAFTER/COLUMN END AND SIDE FRAMING SECTION (BOW RAFTER)
SHEET 7A	COLUMN CONNECTION DETAILS (BOW RAFTER STRUCTURE)
SHEET 7B	COLUMN CONNECTION DETAILS (BOW RAFTER STRUCTURE)
SHEET 8	BASE RAIL ANCHORAGE OPTIONS
SHEET 9	TYPICAL END WALL AND SIDE WALL FRAMING SECTIONS (BOX EAVE)
SHEET 10	TYPICAL END WALL AND SIDE WALL FRAMING SECTIONS (BOW RAFTER)
SHEET 11	WALL OPENING DETAILS
SHEET 12	WALL OPENING DETAILS
SHEET 13	LEAN-TO OPTIONS (BOX EAVE RAFTER)
SHEET 14	LEAN-TO OPTIONS (BOW RAFTER)
SHEET 15	VERTICAL ROOF OPTION END AND SIDE ELEVATION AND SECTION

MOORE AND ASSOCIATES ENGINEERING AND CONSULTING, INC.	DRAWN BY: LT	EAGLE CARPORTS 210 AIRPORT ROAD MOUNT AIRY, NC 27030 30'x16' SP ENCLOSED STRUCTURE		
	CHECKED BY: PDH	PROJECT MGR: VSM	DATE: 11-11-16	SCALE: NTS
THIS DOCUMENT IS THE PROPERTY OF MOORE AND ASSOCIATES ENGINEERING AND CONSULTING. THE UNAUTHORIZED REPRODUCTION, COPYING, OR OTHERWISE USE OF THIS DOCUMENT IS STRICTLY PROHIBITED AND ANY INFRINGEMENT THEREUPON MAY BE SUBJECT TO LEGAL ACTION.	CLIENT: -	SMT. 2	DVG. NO: SK-3	JOB NO: 16166S REV: 1

BOX EAVE FRAME RAFTER STRUCTURE (Sheets 4, 5, 8, 9, 11, 12, 13, AND 15)

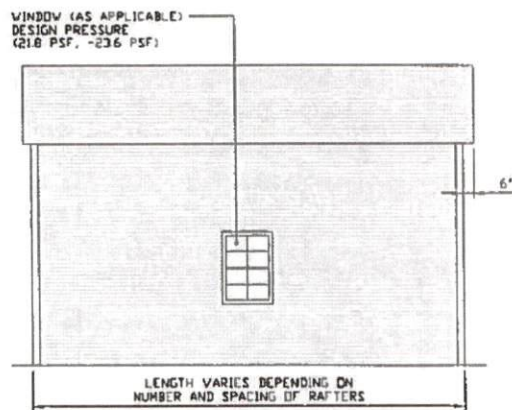


TYPICAL SIDE ELEVATION-HORIZONTAL ROOF
SCALE: NTS

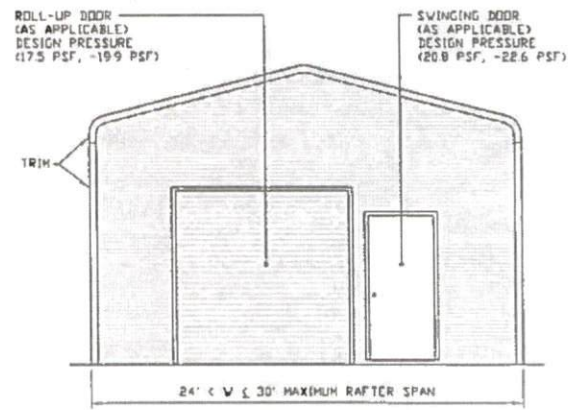


TYPICAL END ELEVATION-HORIZONTAL ROOF
SCALE: NTS

BOW FRAME RAFTER STRUCTURE (Sheets 6, 7, 8, 10, 11, 12, AND 14)



TYPICAL SIDE ELEVATION
SCALE: NTS



TYPICAL END ELEVATION
SCALE: NTS

INSTALLATION NOTES AND SPECIFICATIONS

1. DESIGN IS FOR MAXIMUM 30' WIDE x 16' EAVE HEIGHT ENCLOSED STRUCTURES.
2. DESIGN WAS DONE IN ACCORDANCE WITH THE 2014 FLORIDA BUILDING CODE (FBC) 5TH EDITION, 2012 NORTH CAROLINA BUILDING CODE, 2006 INTERNATIONAL BUILDING CODE (IBC), 2009 IBC 2012 IBC AND 2015 IBC
3. DESIGN LOADS ARE AS FOLLOWS:
 - A) DEAD LOAD = 15 PSF
 - B) LIVE LOAD = 12 PSF
 - C) GROUND SNOW LOAD = 35 PSF
4. ULTIMATE WIND SPEED (LW) 105 TO 140 MPH (NOMINAL WIND SPEED 81 TO 108 MPH); MAXIMUM RAFTER/POST AND END POST SPACING = 50 FEET (W <= 24'); AND SPACING = 40 FEET (24' < W <= 30')
5. LOW HAZARD RISK CATEGORY I (WIND)
6. WIND EXPOSURE CATEGORY B
7. SPECIFICATIONS APPLICABLE TO 29 GAUGE METAL PANELS FASTENED DIRECTLY TO 2 1/2" x 2 1/2" - 14 GAUGE TUBE STEEL (TS) FRAMING MEMBERS (UNLESS NOTED OTHERWISE)
8. AVERAGE FASTENER SPACING ON-CENTERS ALONG RAFTERS OR HAT CHANNELS, AND COLUMNS (INTERIOR OR END) = 10' OC (MAX)
9. FASTENERS CONSIST OF #12-14x3/4" SELF-DRILLING FASTENER (SDF). USE CONTROL SEAL WASHER WITH EXTERIOR FASTENERS. SPECIFICATIONS APPLICABLE ONLY FOR MEAN ROOF HEIGHT OF 20 FEET OR LESS, AND ROOF SLOPES OF 14" (3:12 PITCH) OR LESS. SPACING REQUIREMENTS FOR OTHER ROOF HEIGHTS AND/OR SLOPES MAY VARY.
10. GROUND ANCHORS SHALL BE INSTALLED THROUGH BASE RAIL WITHIN 6" OF EACH RAFTER COLUMN ALONG SIDES AND ENDS
11. GROUND ANCHORS CONSIST OF #4 REBAR W/ WELDED NUT x 36" LONG IN SUITABLE SOIL CONDITIONS. OPTIONAL ANCHORAGE MAY BE USED IN SUITABLE SOILS AND MUST BE USED IN UNSUITABLE SOILS AS NOTED.
12. WIND FORCES GOVERN OVER SEISMIC FORCES. SEISMIC PARAMETERS ANALYZED ARE:
 - SOIL SITE CLASS = D
 - RISK CATEGORY I/II/III
 - R = 3.25 I_c = 10
 - S_{DS} = 1.522 V = C_sW
 - S_{D1} = 0.839

**MOORE AND ASSOCIATES
ENGINEERING AND CONSULTING, INC.**

DRAWN BY: LT

CHECKED BY: PDH

PROJECT MGR: WSM

CLIENT: -

EAGLE CARPORTS
210 AIRPORT ROAD
MOUNT AIRY, NC 27030
30'x16' SP ENCLOSED STRUCTURE

DATE: 11-11-16

SHT. 3

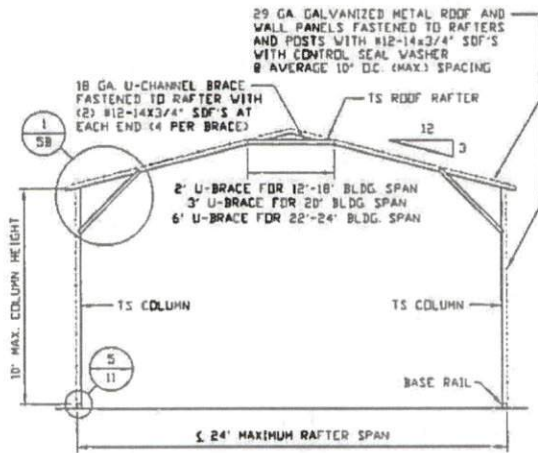
SCALE: NTS

DWG. NO: SK-3

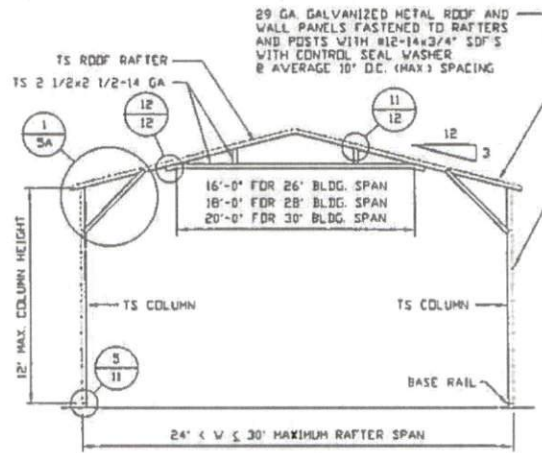
JOB NO: 16166S

REV: 1

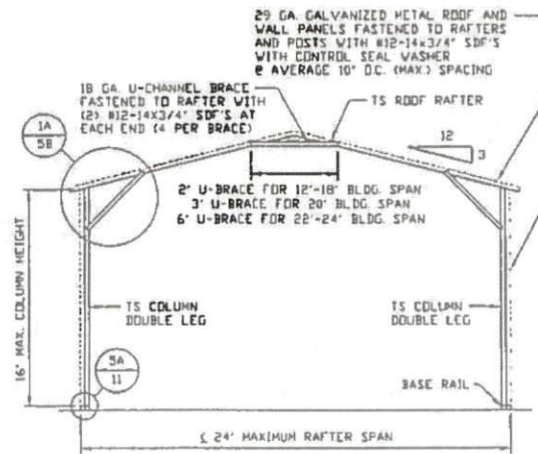
THIS DOCUMENT IS THE PROPERTY OF MOORE AND ASSOCIATES ENGINEERING AND CONSULTING. THE UNAUTHORIZED REPRODUCTION, COPYING, OR OTHERWISE USE OF THIS DOCUMENT IS STRICTLY PROHIBITED AND ANY INFRINGEMENT THEREUPON MAY BE SUBJECT TO LEGAL ACTION.



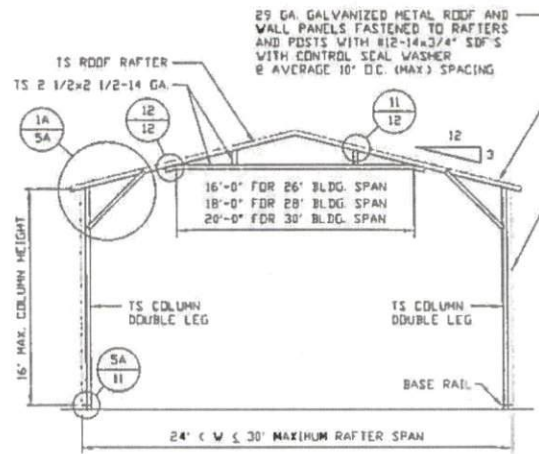
TYPICAL RAFTER/COLUMN END FRAME SECTION
SCALE: NTS



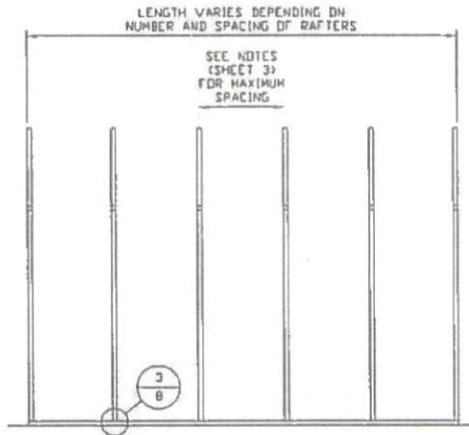
TYPICAL RAFTER/COLUMN END FRAME SECTION
SCALE: NTS



TYPICAL RAFTER/COLUMN END FRAME SECTION
SCALE: NTS



TYPICAL RAFTER/COLUMN END FRAME SECTION
SCALE: NTS



TYPICAL RAFTER/COLUMN SIDE FRAMING SECTION
SCALE: NTS

**MOORE AND ASSOCIATES
ENGINEERING AND CONSULTING, INC.**

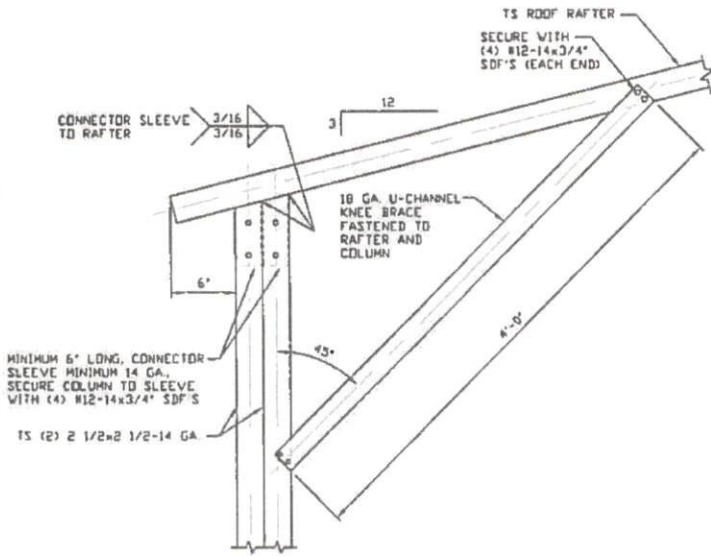
DRAWN BY: LT
CHECKED BY: PDH
PROJECT MGR: VSM
CLIENT: -

EAGLE CARPORTS
210 AIRPORT ROAD
MOUNT AIRY, NC 27030
30'x16' SP ENCLOSED STRUCTURE

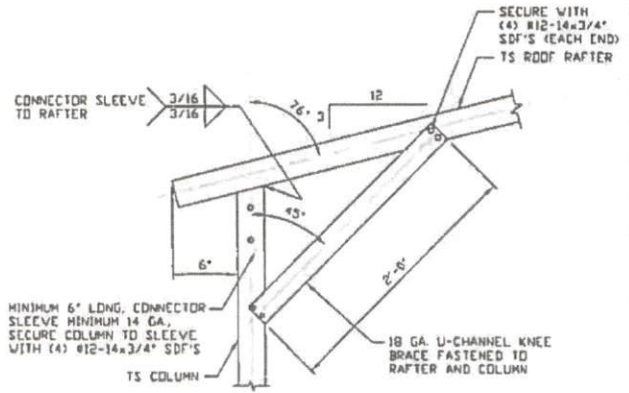
THIS DOCUMENT IS THE PROPERTY OF MOORE AND ASSOCIATES ENGINEERING AND CONSULTING, INC. UNAUTHORIZED REPRODUCTION, COPYING, OR OTHERWISE USE OF THIS DOCUMENT IS STRICTLY PROHIBITED AND ANY INFRINGEMENT THEREUPON MAY BE SUBJECT TO LEGAL ACTION.

DATE: 11-11-16
SHT. 4
SCALE: NTS
DVG. NO: SK-3
JOB NO: 16166S
REV: 1

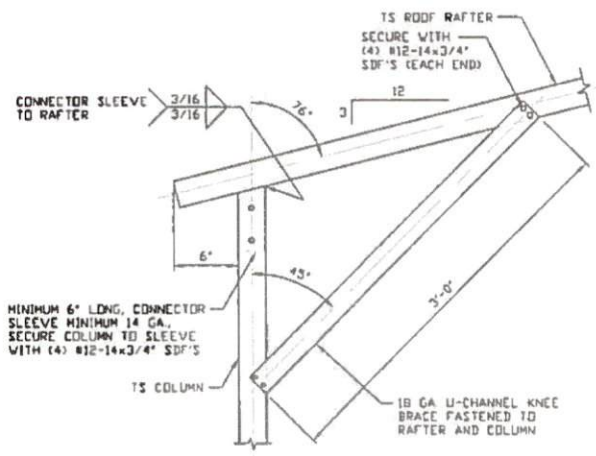
24' < W ≤ 30' MAXIMUM RAFTER SPAN



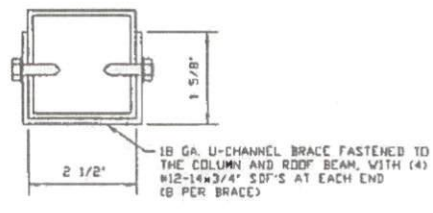
1A
BOX EAVE RAFTER COLUMN CONNECTION DETAIL FOR HEIGHTS 12' < TO 16'
 SCALE: NTS



1C
BOX EAVE RAFTER COLUMN CONNECTION DETAIL FOR HEIGHTS ≤ 8'
 SCALE: NTS



1B
BOX EAVE RAFTER COLUMN CONNECTION DETAIL FOR HEIGHTS 8' < TO ≤ 12'
 SCALE: NTS



BRACE SECTION
 SCALE: NTS

MOORE AND ASSOCIATES ENGINEERING AND CONSULTING, INC.

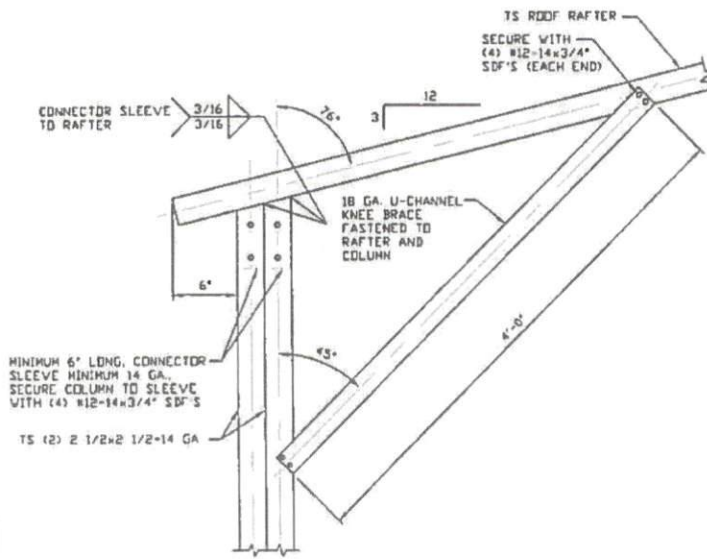
DRAWN BY: LT
 CHECKED BY: PDH
 PROJECT MGR: VSM
 CLIENT: -

EAGLE CARPORTS
 210 AIRPORT ROAD
 MOUNT AIRY, NC 27030
 30'x16' SP ENCLOSED STRUCTURE

DATE: 11-11-16
 SHT. 5A
 SCALE: NTS
 DIV. NO. SK-3
 JOB NO. 16166S
 REV. 1

THIS DOCUMENT IS THE PROPERTY OF MOORE AND ASSOCIATES ENGINEERING AND CONSULTING. THE UNAUTHORIZED REPRODUCTION, COPYING, OR OTHERWISE USE OF THIS DOCUMENT IS STRICTLY PROHIBITED AND ANY INFRINGEMENT THEREUPON MAY BE SUBJECT TO LEGAL ACTION.

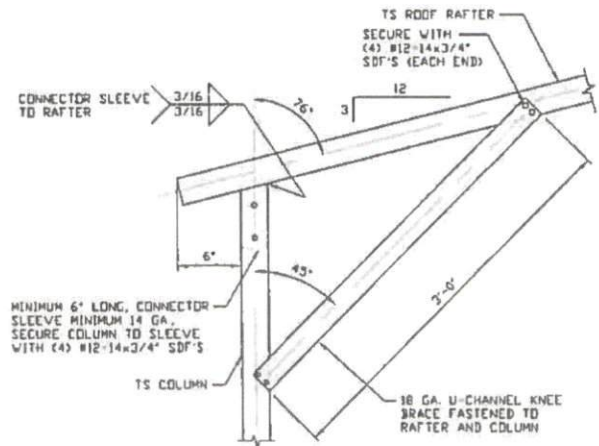
≤ 24' MAXIMUM RAFTER SPAN



1A

BOX EAVE RAFTER COLUMN CONNECTION DETAIL FOR HEIGHTS 12' < TO ≤ 16'

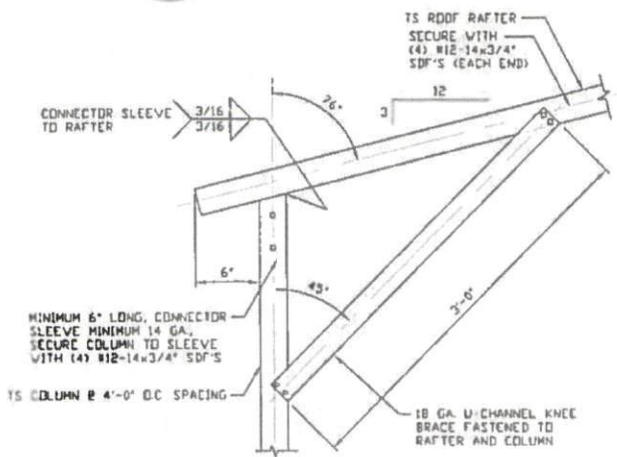
SCALE: NTS



1C

BOX EAVE RAFTER COLUMN CONNECTION DETAIL FOR HEIGHTS 8' < TO ≤ 10'

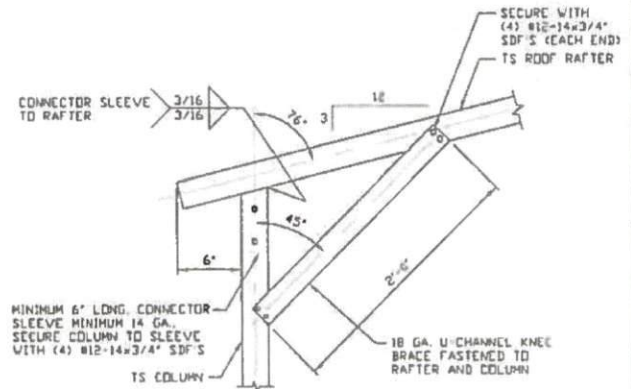
SCALE: NTS



1B

BOX EAVE RAFTER COLUMN CONNECTION DETAIL FOR HEIGHTS 10' < TO ≤ 12'

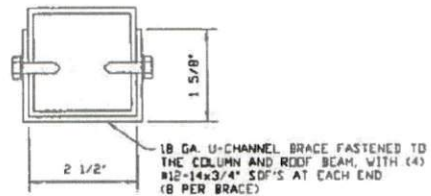
SCALE: NTS



1D

BOX EAVE RAFTER COLUMN CONNECTION DETAIL FOR HEIGHTS ≤ 8'

SCALE: NTS



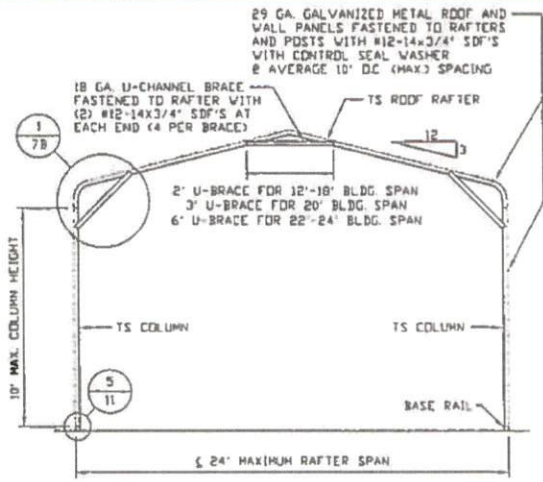
BRACE SECTION

SCALE: NTS

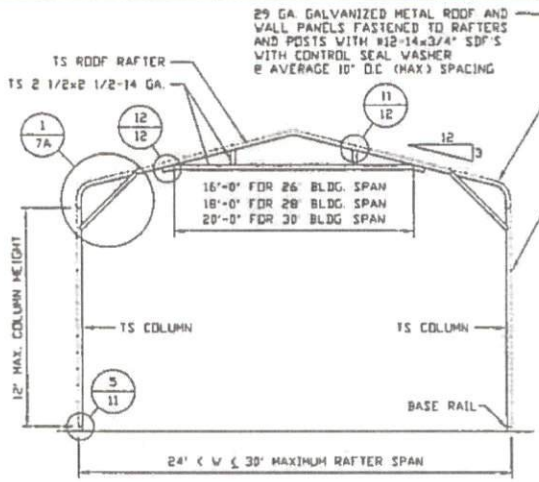
MOORE AND ASSOCIATES ENGINEERING AND CONSULTING, INC.

DRAWN BY: LT CHECKED BY: PDH PROJECT MGR: WSM CLIENT: -	EAGLE CARPORTS 210 AIRPORT ROAD MOUNT AIRY, NC 27030 30'x16' SP ENCLOSED STRUCTURE DATE: 11-11-16 SHT. 5B	SCALE: NTS DWG. NO: SK-3	JOB NO: 16166S REV: 1
--	--	-----------------------------	--------------------------

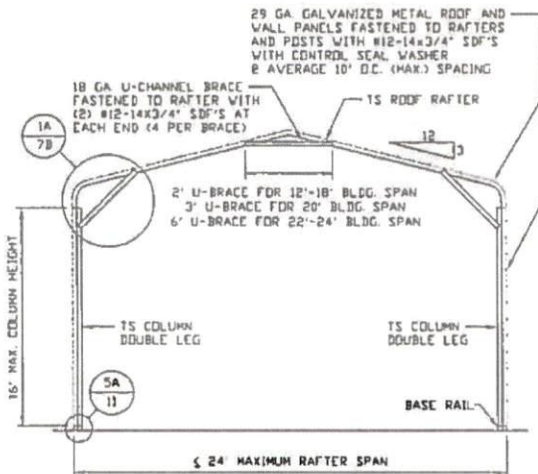
THIS DOCUMENT IS THE PROPERTY OF MOORE AND ASSOCIATES ENGINEERING AND CONSULTING. THE UNAUTHORIZED REPRODUCTION, COPYING, OR OTHERWISE USE OF THIS DOCUMENT IS STRICTLY PROHIBITED AND ANY INFRINGEMENT THEREUPON MAY BE SUBJECT TO LEGAL ACTION.



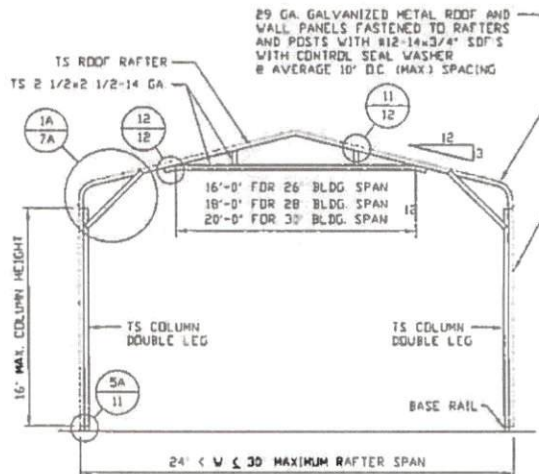
TYPICAL RAFTER/COLUMN END FRAME SECTION
SCALE: NTS



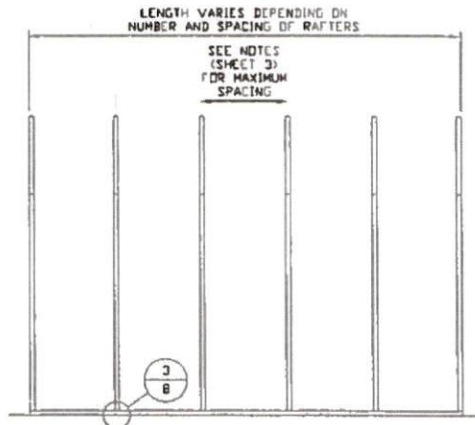
TYPICAL RAFTER/COLUMN END FRAME SECTION
SCALE: NTS



TYPICAL RAFTER/COLUMN END FRAME SECTION
SCALE: NTS



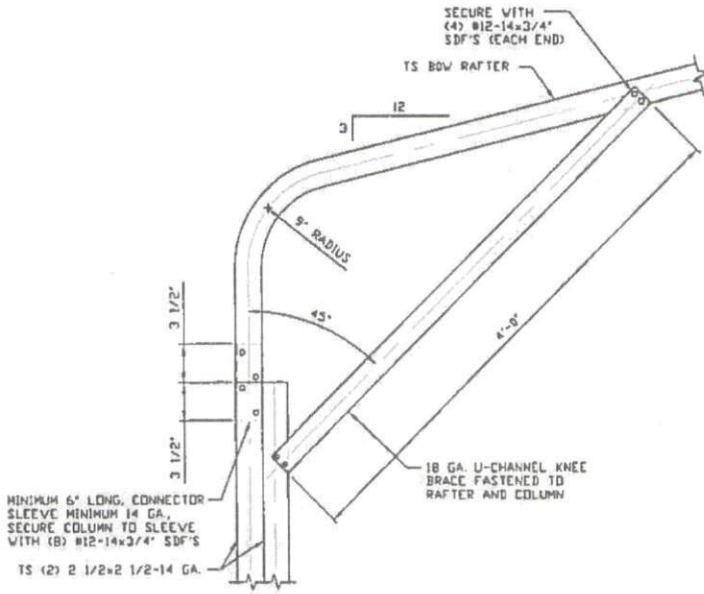
TYPICAL RAFTER/COLUMN END FRAME SECTION
SCALE: NTS



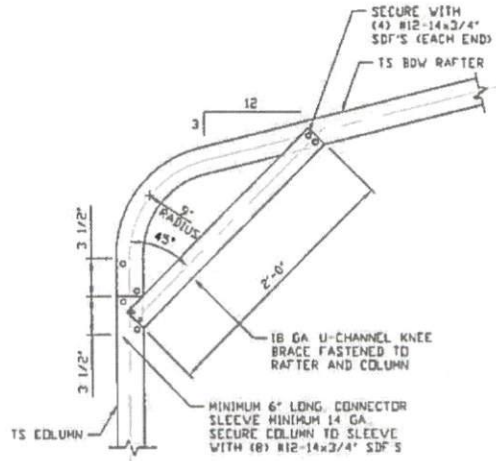
TYPICAL RAFTER/COLUMN FRAMING SIDE SECTION
SCALE: NTS

MOORE AND ASSOCIATES ENGINEERING AND CONSULTING, INC.	DRAWN BY: LT	EAGLE CARPORTS 210 AIRPORT ROAD MOUNT AIRY, NC 27030 30'x16' SP ENCLOSED STRUCTURE		
	CHECKED BY: PDH	PROJECT MGR: WSM	DATE: 11-11-16	SCALE: NTS
THIS DOCUMENT IS THE PROPERTY OF MOORE AND ASSOCIATES ENGINEERING AND CONSULTING. THE UNAUTHORIZED REPRODUCTION, COPYING, OR OTHERWISE USE OF THIS DOCUMENT IS STRICTLY PROHIBITED AND ANY INFRINGEMENT THEREUPON MAY BE SUBJECT TO LEGAL ACTION.	CLIENT: -	SHT. 6	DWG. NO: SK-3	JOB NO: 161665
				REV: 1

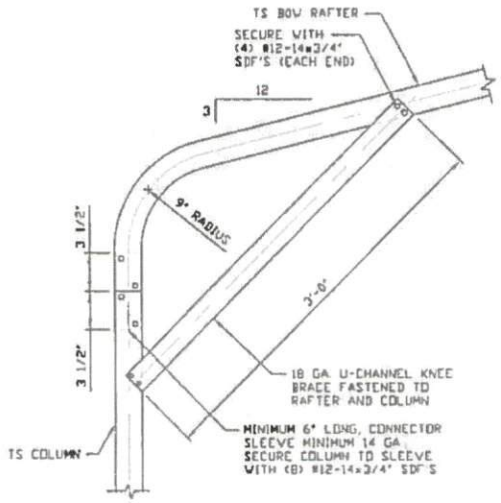
24' < W ≤ 30' MAXIMUM RAFTER SPAN



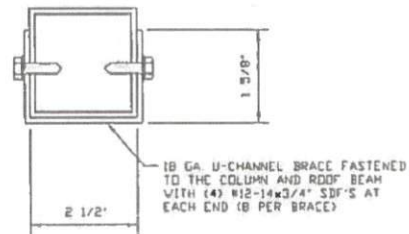
1A
BOW EAVE RAFTER COLUMN CONNECTION DETAIL FOR HEIGHTS 12' < TO ≤ 16'
 SCALE: NTS



1C
BOW EAVE RAFTER COLUMN CONNECTION DETAIL FOR HEIGHTS ≤ 8'
 SCALE: NTS



1B
BOW EAVE RAFTER COLUMN CONNECTION DETAIL FOR HEIGHTS 8' < TO ≤ 12'
 SCALE: NTS



BRACE SECTION
 SCALE: NTS

**MOORE AND ASSOCIATES
 ENGINEERING AND CONSULTING, INC.**

DRAWN BY: LT
CHECKED BY: PDM

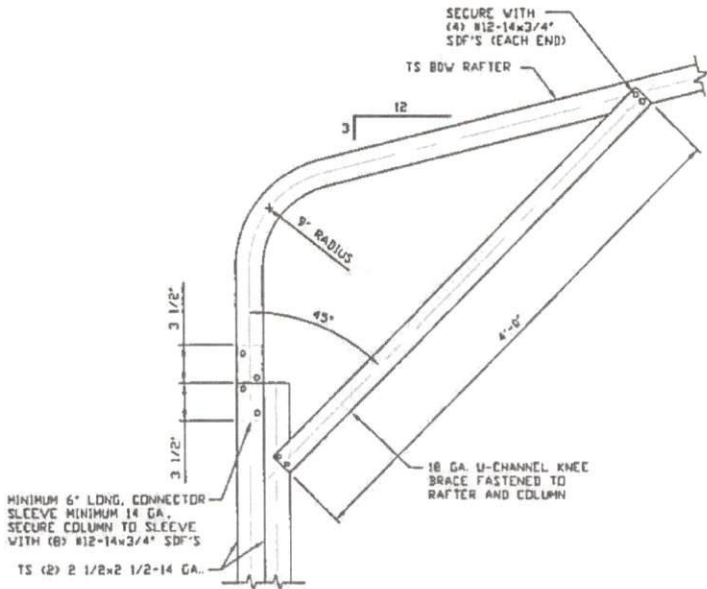
**EAGLE CARPORTS
 210 AIRPORT ROAD
 MOUNT AIRY, NC 27030
 30'x16' SP ENCLOSED STRUCTURE**

THIS DOCUMENT IS THE PROPERTY OF MOORE AND ASSOCIATES ENGINEERING AND CONSULTING, INC. UNAUTHORIZED REPRODUCTION, COPYING, OR OTHERWISE USE OF THIS DOCUMENT IS STRICTLY PROHIBITED AND ANY INFRINGEMENT THEREUPON MAY BE SUBJECT TO LEGAL ACTION.

PROJECT MGR: WSH
CLIENT: -

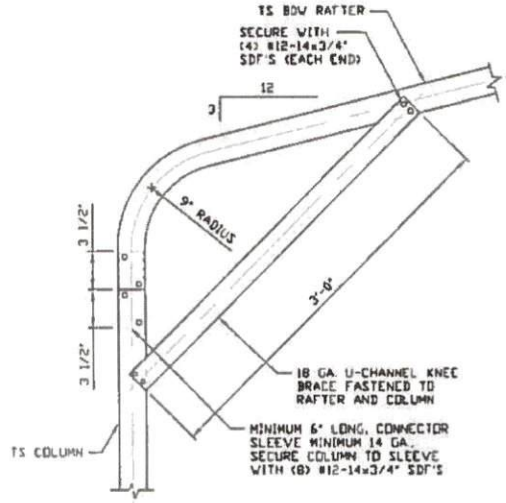
DATE: 11-11-16
SHT. 7A
SCALE: NTS
DWG. NO: SK-3
JOB NO: 16166S
REV: 1

< 24' MAXIMUM RAFTER SPAN



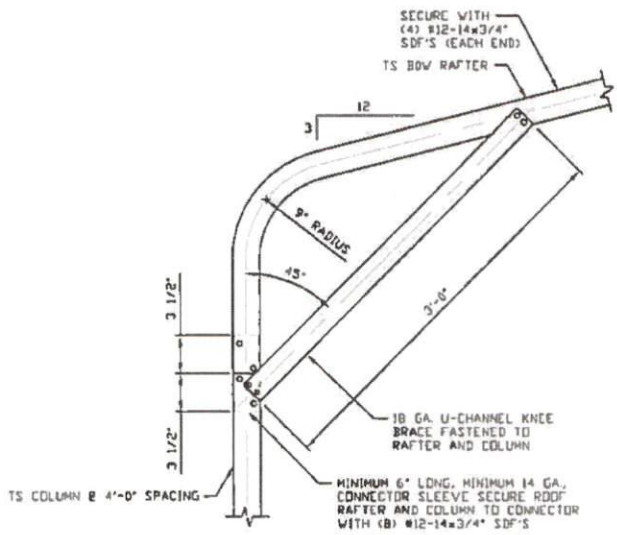
1A

BOW EAVE RAFTER COLUMN CONNECTION DETAIL FOR HEIGHTS 12' < TO <= 16'
SCALE: NTS



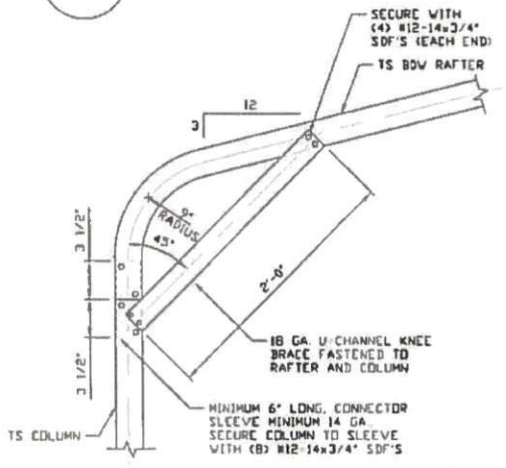
1C

BOW EAVE RAFTER COLUMN CONNECTION DETAIL FOR HEIGHTS 8' < TO <= 10'
SCALE: NTS



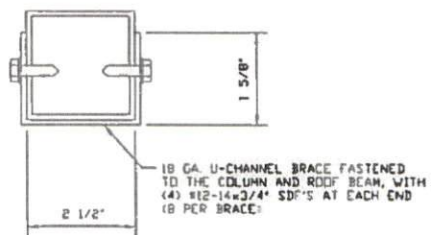
1B

BOW EAVE RAFTER COLUMN CONNECTION DETAIL FOR HEIGHTS 10' < TO <= 12'
SCALE: NTS



1D

BOW EAVE RAFTER COLUMN CONNECTION DETAIL FOR HEIGHTS <= 8'
SCALE: NTS



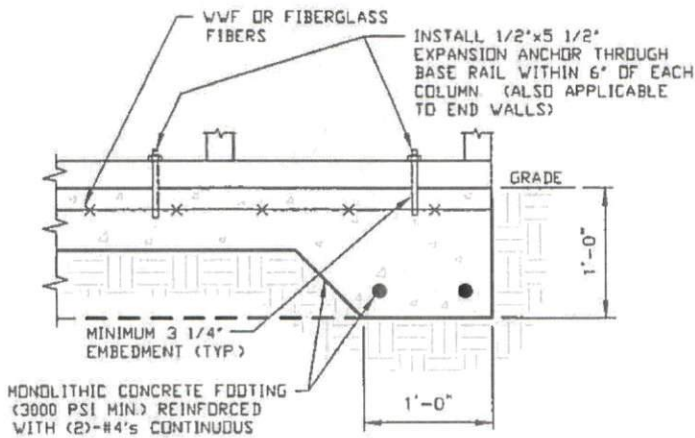
BRACE SECTION
SCALE: NTS

MOORE AND ASSOCIATES ENGINEERING AND CONSULTING, INC.

DRAWN BY: LT	EAGLE CARPORTS 210 AIRPORT ROAD MOUNT AIRY, NC 27030 30'x16' SP ENCLOSED STRUCTURE		
CHECKED BY: PDM	PROJECT MGR: VSM	DATE: 11-11-16	SCALE: NTS
CLIENT: -	SHT. 7B	DWG. NO. SK-3	JOB NO: 16166S REV: 1

THIS DOCUMENT IS THE PROPERTY OF MOORE AND ASSOCIATES ENGINEERING AND CONSULTING. THE UNAUTHORIZED REPRODUCTION, COPYING, OR OTHERWISE USE OF THIS DOCUMENT IS STRICTLY PROHIBITED AND ANY INFRINGEMENT THEREUPON MAY BE SUBJECT TO LEGAL ACTION.

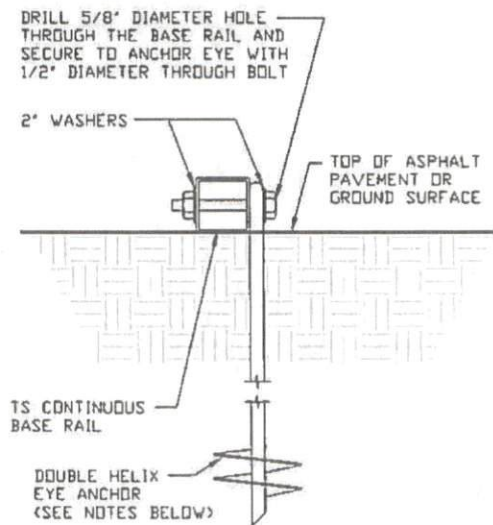
BASE RAIL ANCHORAGE OPTIONS



3A

CONCRETE MONOLITHIC SLAB BASE RAIL ANCHORAGE

SCALE: NTS
MINIMUM ANCHOR EDGE DISTANCE IS 1 5/8"



3B

GROUND BASE HELIX ANCHORAGE

SCALE: NTS (CAN BE USED FOR ASPHALT)

GENERAL NOTES

CONCRETE:

CONCRETE SHALL HAVE A MINIMUM SPECIFIED COMPRESSIVE STRENGTH OF 3,000 PSI AT 28 DAYS

COVER OVER REINFORCING STEEL:

FOR FOUNDATIONS, MINIMUM CONCRETE COVER OVER REINFORCING BARS SHALL BE PER ACI-318
3" IN FOUNDATIONS WHERE THE CONCRETE IS CAST AGAINST AND PERMANENTLY IN CONTACT WITH THE EARTH OR EXPOSED TO THE EARTH OR WEATHER, AND 1 1/2" ELSEWHERE.

REINFORCING STEEL:

THE TURNDOWN REINFORCING STEEL SHALL BE ASTM A615 GRADE 60. THE SLAB REINFORCEMENT SHALL BE WELDED WIRE FABRIC MEETING ASTM A185 OR FIBERGLASS FIBER REINFORCEMENT.

REINFORCEMENT MAY BE BENT IN THE SHOP OR THE FIELD PROVIDED:

- 1 REINFORCEMENT IS BENT COLD.
- 2 THE DIAMETER OF THE BEND, MEASURED ON THE INSIDE OF THE BAR, IS NOT LESS THAN SIX-BAR DIAMETERS
- 3 REINFORCEMENT PARTIALLY EMBEDDED IN CONCRETE SHALL NOT BE FIELD BENT

HELIX ANCHOR NOTES:

- 1 FOR VERY DENSE AND/OR CEMENTED SANDS, COARSE GRAVEL AND COBBLES, CALICHE, PRELOADED SILTS AND CLAYS, USE MINIMUM (2) 4" HELICES WITH MINIMUM 30' EMBEDMENT OR SINGLE 6" HELIX WITH MINIMUM 50' EMBEDMENT
- 2 FOR CORAL USE MINIMUM (2) 4" HELICES WITH MINIMUM 30' EMBEDMENT OR SINGLE 6" HELIX WITH MINIMUM 50' EMBEDMENT.
- 3 FOR MEDIUM DENSE COARSE SANDS, SANDY GRAVELS, VERY STIFF SILTS, AND CLAYS USE MINIMUM (2) 4" HELICES WITH MINIMUM 30 INCH EMBEDMENT OR SINGLE 6" HELIX WITH MINIMUM 50' EMBEDMENT.
- 4 FOR LOOSE TO MEDIUM DENSE SANDS, FIRM TO STIFF CLAYS AND SILTS ALLUVIAL FILL, USE MINIMUM (2) 6" HELICES WITH MINIMUM 50' EMBEDMENT.
- 5 FOR VERY LOSE TO MEDIUM DENSE SANDS, FIRM TO STIFFER CLAYS AND SILTS, ALLUVIAL FILL, USE MINIMUM (2) 8" HELICES WITH MINIMUM 60' EMBEDMENT

**MOORE AND ASSOCIATES
ENGINEERING AND CONSULTING, INC.**

DRAWN BY: LT

CHECKED BY: PDH

PROJECT MGR: WSH

CLIENT: -

EAGLE CARPORTS
210 AIRPORT ROAD
MOUNT AIRY, NC 27030
30'x16' SP ENCLOSED STRUCTURE

DATE: 11-11-16

SHT. 8

SCALE: NTS

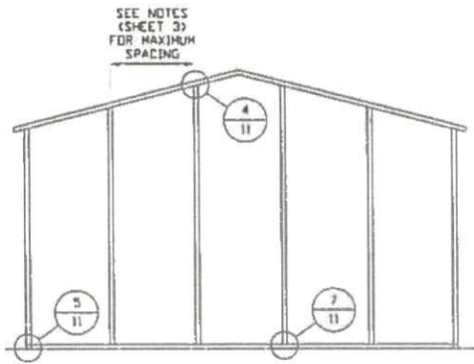
DWG. NO: SK-3

JOB NO: 16166S

REV: 1

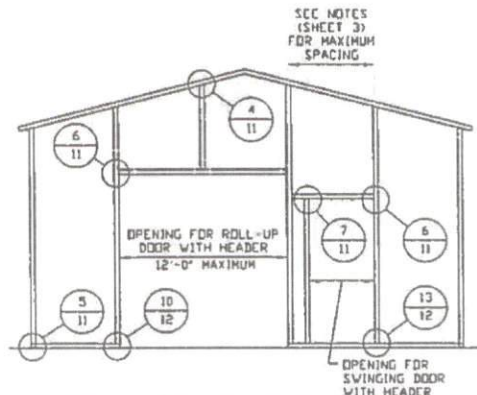
THIS DOCUMENT IS THE PROPERTY OF MOORE AND ASSOCIATES ENGINEERING AND CONSULTING. THE UNAUTHORIZED REPRODUCTION, COPYING, OR OTHERWISE USE OF THIS DOCUMENT IS STRICTLY PROHIBITED AND ANY INFRINGEMENT THEREUPON MAY BE SUBJECT TO LEGAL ACTION.

BOX EAVE RAFTER END WALL AND SIDE WALL OPENINGS



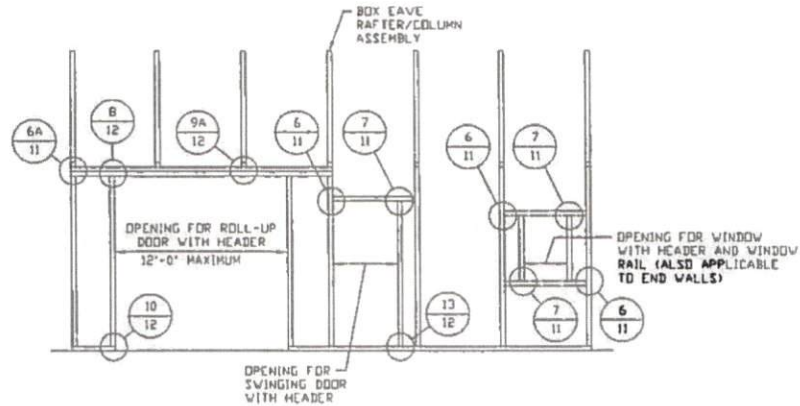
**TYPICAL BOX EAVE RAFTER
END WALL FRAMING SECTION**

SCALE: NTS



**TYPICAL BOX EAVE RAFTER END
WALL OPENINGS FRAMING SECTION**

SCALE: NTS



**TYPICAL BOX EAVE RAFTER
SIDE WALL OPENINGS FRAMING SECTION**

SCALE: NTS

**MOORE AND ASSOCIATES
ENGINEERING AND CONSULTING, INC.**

DRAWN BY: LT

CHECKED BY: PDH

PROJECT MGR: WSM

CLIENT: -

**EAGLE CARPORTS
210 AIRPORT ROAD
MOUNT AIRY, NC 27030
30'x16' SP ENCLOSED STRUCTURE**

DATE: 11-11-16

SHT. 9

SCALE: NTS

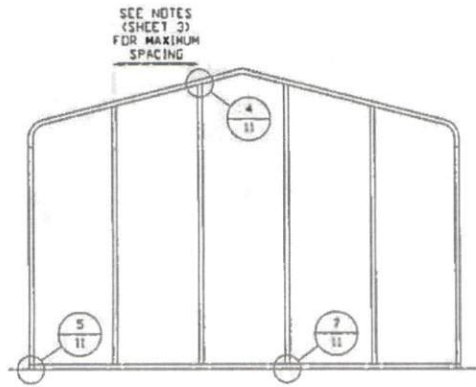
DWG. NO: SK-3

JOB NO: 16166S

REV: 1

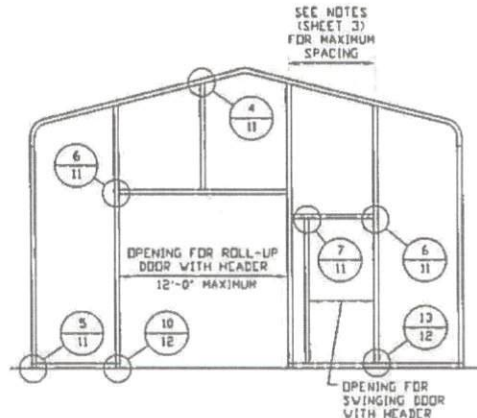
THIS DOCUMENT IS THE PROPERTY OF MOORE AND ASSOCIATES ENGINEERING AND CONSULTING. THE UNAUTHORIZED REPRODUCTION, COPYING, OR OTHERWISE USE OF THIS DOCUMENT IS STRICTLY PROHIBITED AND ANY INFRINGEMENT THEREUPON MAY BE SUBJECT TO LEGAL ACTION.

BOW RAFTER END WALL AND SIDE WALL OPENINGS



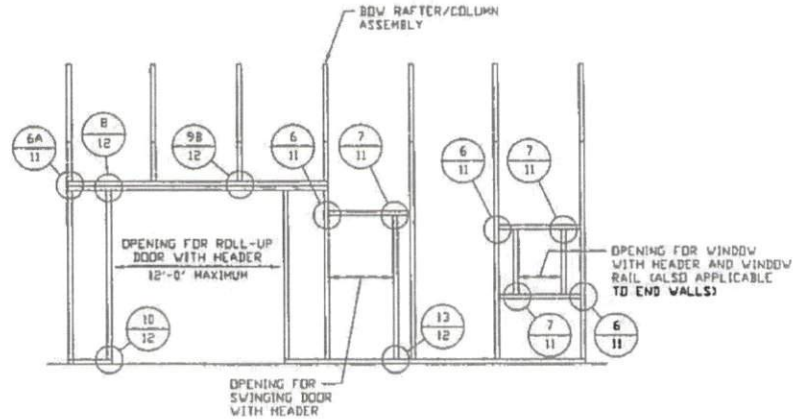
**TYPICAL BOW RAFTER
END WALL FRAMING SECTION**

SCALE: NTS



**TYPICAL BOW RAFTER END
WALL OPENINGS FRAMING SECTION**

SCALE: NTS



**TYPICAL BOW RAFTER SIDE
WALL OPENINGS FRAMING SECTION**

SCALE: NTS

**MOORE AND ASSOCIATES
ENGINEERING AND CONSULTING, INC.**

DRAWN BY: LT

CHECKED BY: PDH

PROJECT MGR: WSM

CLIENT: -

**EAGLE CARPORTS
210 AIRPORT ROAD
MOUNT AIRY, NC 27030
30'x16' SP ENCLOSED STRUCTURE**

DATE: 11-11-16

SHT. 10

SCALE: NTS

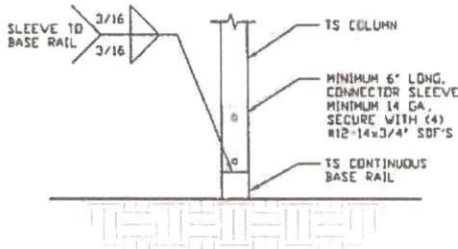
DWG. NO: SK-3

JOB NO: 16166S

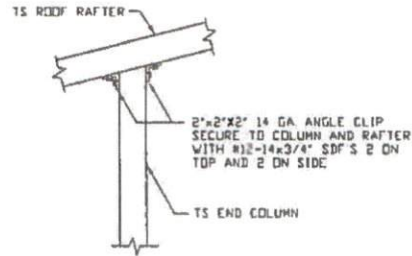
REV: 1

THIS DOCUMENT IS THE PROPERTY OF MOORE AND ASSOCIATES ENGINEERING AND CONSULTING. THE UNAUTHORIZED REPRODUCTION, COPYING, OR OTHERWISE USE OF THIS DOCUMENT IS STRICTLY PROHIBITED AND ANY INFRINGEMENT THEREUPON MAY BE SUBJECT TO LEGAL ACTION.

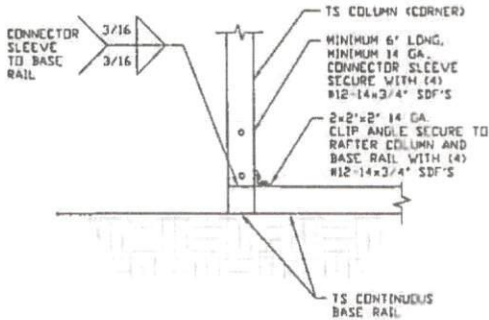
BOW AND BOX EAVE RAFTER WALL OPENING DETAILS



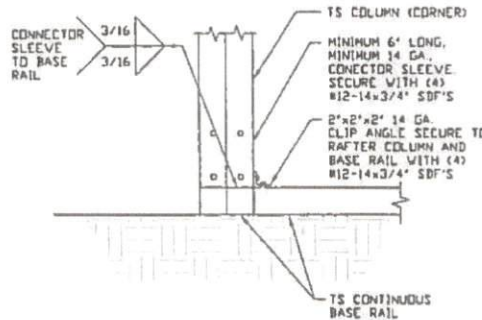
2 RAFTER COLUMN/BASE RAIL CONNECTION DETAIL
SCALE: NTS



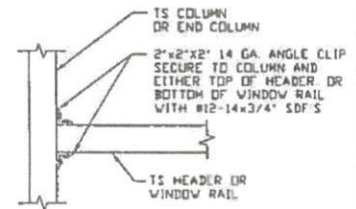
4 END COLUMN/RAFTER CONNECTION DETAIL
SCALE: NTS



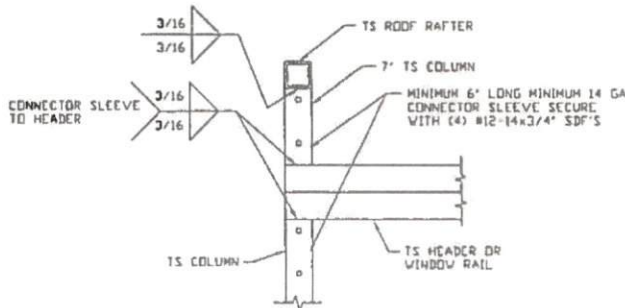
5 END COLUMN/BASE RAIL CONNECTION DETAIL
SCALE: NTS



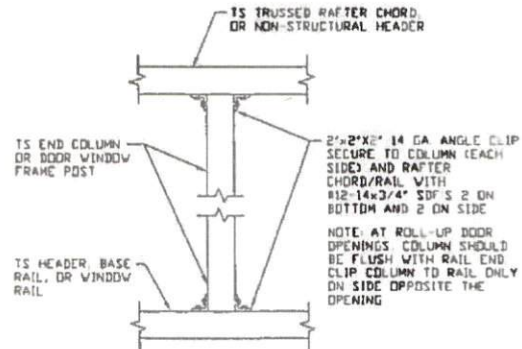
5A END COLUMN/BASE RAIL CONNECTION DETAIL
SCALE: NTS



6 COLUMN OR WINDOW RAIL TO POST CONNECTION DETAIL
SCALE: NTS



6A COLUMN OR WINDOW RAIL TO POST CONNECTION DETAIL
SCALE: NTS



7 COLUMN TO WINDOW RAIL CONNECTION DETAIL
SCALE: NTS

**MOORE AND ASSOCIATES
ENGINEERING AND CONSULTING, INC.**

DRAWN BY: LT

CHECKED BY: PDM

PROJECT MGR: VSM

CLIENT: -

**EAGLE CARPORTS
210 AIRPORT ROAD
MOUNT AIRY, NC 27030
30'x16' SP ENCLOSED STRUCTURE**

DATE: 11-11-16

SHT. 11

SCALE: NTS

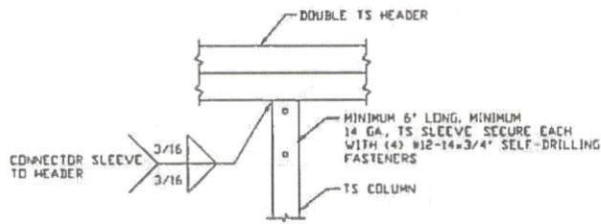
DWG. NO: SK-3

JOB NO: 16166S

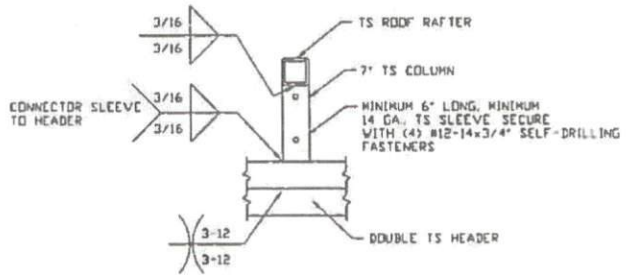
REV: 1

THIS DOCUMENT IS THE PROPERTY OF MOORE AND ASSOCIATES ENGINEERING AND CONSULTING. THE UNAUTHORIZED REPRODUCTION, COPYING, OR OTHERWISE USE OF THIS DOCUMENT IS STRICTLY PROHIBITED AND ANY INFRINGEMENT THEREUPON MAY BE SUBJECT TO LEGAL ACTION.

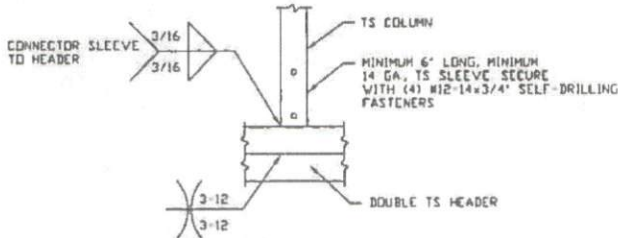
BOW AND BOX EAVE RAFTER WALL OPENING DETAILS



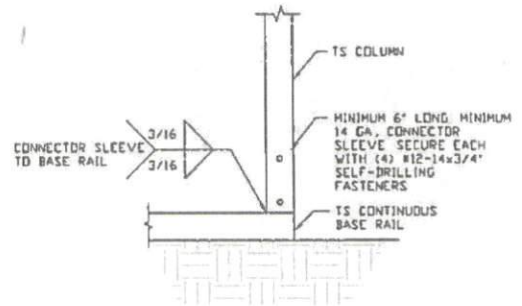
8 DOUBLE HEADER/COLUMN CONNECTION DETAIL
SCALE: NTS



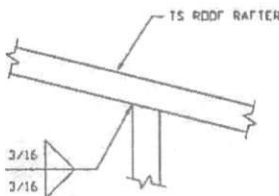
9A COLUMN/DOUBLE HEADER CONNECTION DETAIL
SCALE: NTS



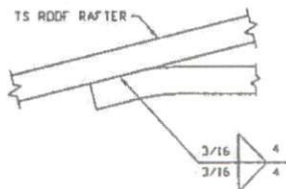
9B COLUMN/DOUBLE HEADER CONNECTION DETAIL
SCALE: NTS



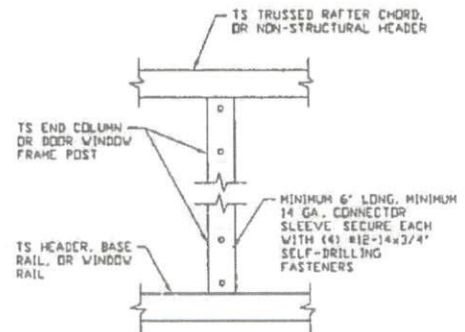
10 COLUMN/BASE RAIL CONNECTION DETAIL
SCALE: NTS



11 RAFTER TO CHORD CONNECTION DETAIL
SCALE: NTS



12 COLLAR TIE CONNECTION DETAIL
SCALE: NTS



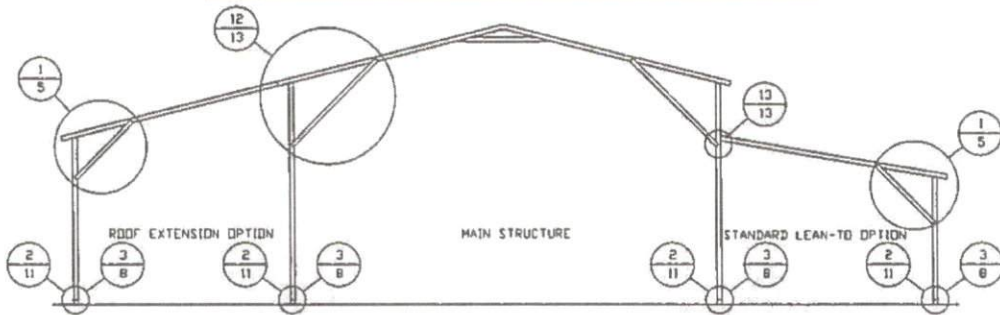
12 COLUMN TO HEADER OR BASE RAIL CONNECTION DETAIL
SCALE: NTS

**MOORE AND ASSOCIATES
ENGINEERING AND CONSULTING, INC.**

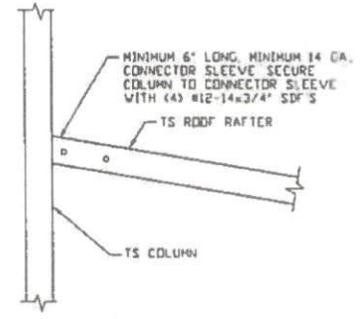
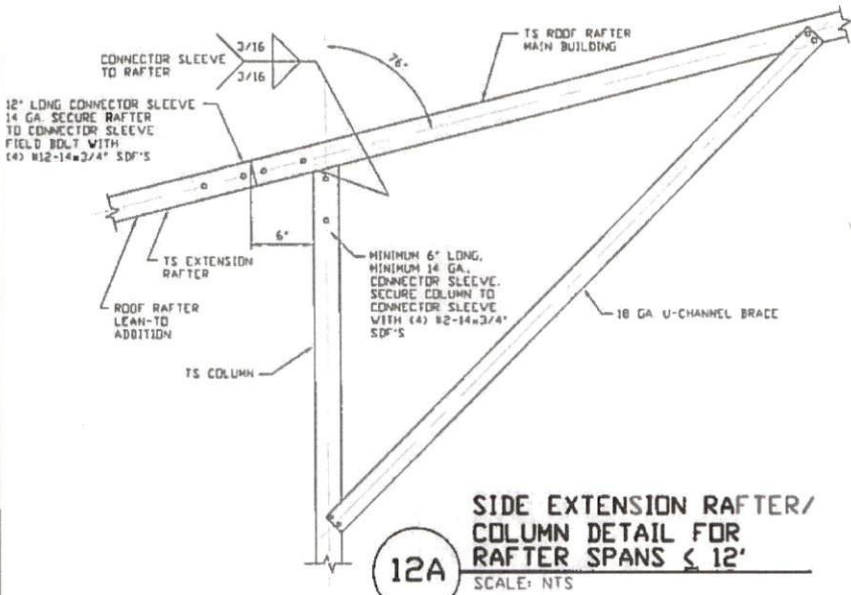
DRAWN BY: LT	EAGLE CARPORTS 210 AIRPORT ROAD MOUNT AIRY, NC 27030 30'x16' SP ENCLOSED STRUCTURE		
CHECKED BY: PDH	PROJECT MGR: VSM	DATE: 11-11-16	SCALE: NTS
CLIENT: -	SHT. 12	DWG. NO: SK-3	JOB NO: 16166S
			REV: 1

THIS DOCUMENT IS THE PROPERTY OF MOORE AND ASSOCIATES ENGINEERING AND CONSULTING. THE UNAUTHORIZED REPRODUCTION, COPYING, OR OTHERWISE USE OF THIS DOCUMENT IS STRICTLY PROHIBITED AND ANY INFRINGEMENT THEREUPON MAY BE SUBJECT TO LEGAL ACTION.

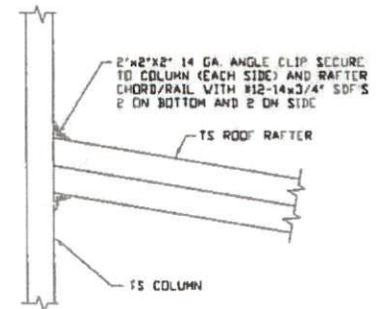
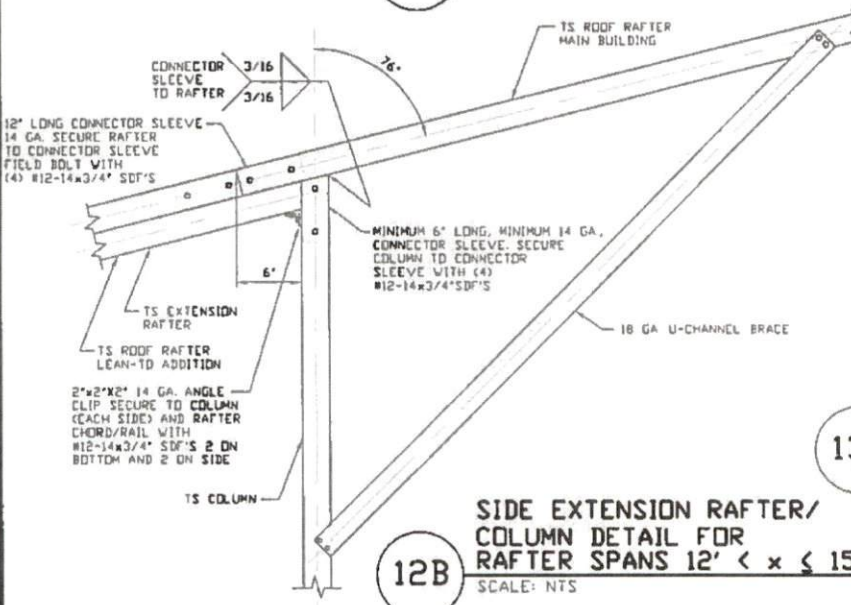
BOX EAVE RAFTER LEAN-TO OPTIONS



TYPICAL BOX EAVE RAFTER LEAN-TO OPTIONS FRAMING SECTION (BOTH OPTIONS SHOWN)



13A
SCALE: NTS
LEAN-TO RAFTER TO RAFTER COLUMN CONNECTION DETAIL FOR RAFTER SPANS $\leq 12'$



13B
SCALE: NTS
LEAN-TO RAFTER TO RAFTER COLUMN CONNECTION DETAIL FOR RAFTER SPANS $12' < x \leq 15'$

MOORE AND ASSOCIATES
ENGINEERING AND CONSULTING, INC.

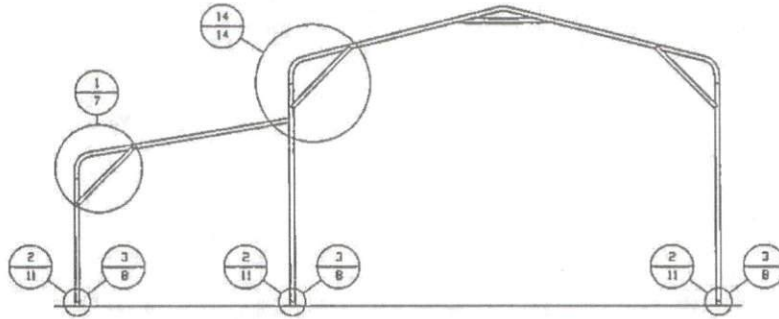
DRAWN BY: LT
CHECKED BY: PDH
PROJECT MGR: VSM
CLIENT: -

EAGLE CARPORTS
210 AIRPORT ROAD
MOUNT AIRY, NC 27030
30'x16' SP ENCLOSED STRUCTURE

DATE: 11-11-16
SCALE: NTS
JOB NO: 16166S
SHT. 13
DVG. NO. SK-3
REV: 1

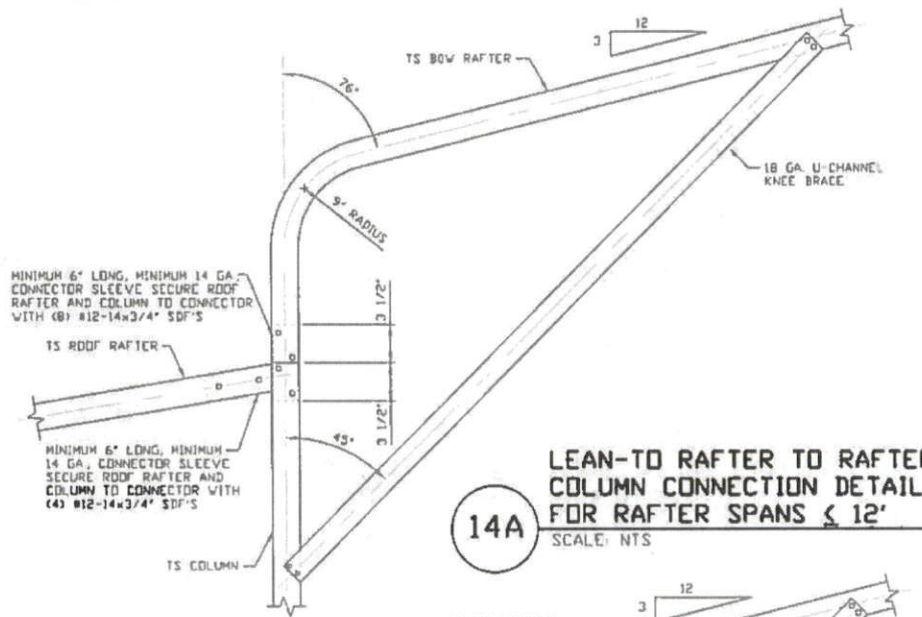
THIS DOCUMENT IS THE PROPERTY OF MOORE AND ASSOCIATES ENGINEERING AND CONSULTING. THE UNAUTHORIZED REPRODUCTION, COPYING, OR OTHERWISE USE OF THIS DOCUMENT IS STRICTLY PROHIBITED AND ANY INFRINGEMENT THEREUPON MAY BE SUBJECT TO LEGAL ACTION.

BOW RAFTER LEAN-TO OPTION



TYPICAL BOW RAFTER LEAN-TO OPTION FRAMING SECTION

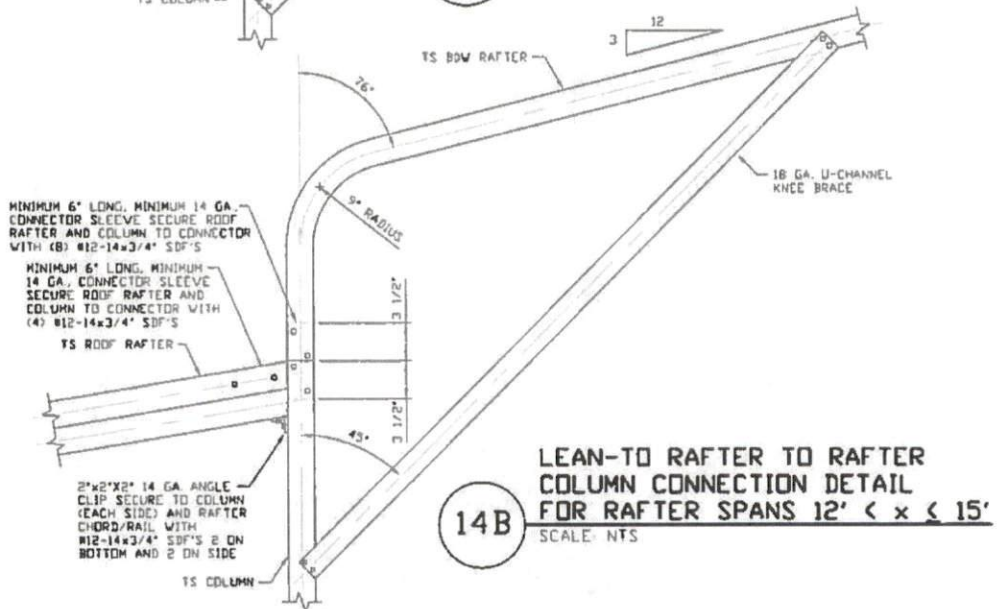
SCALE: NTS



14A

**LEAN-TO RAFTER TO RAFTER
COLUMN CONNECTION DETAIL
FOR RAFTER SPANS < 12'**

SCALE: NTS



14B

**LEAN-TO RAFTER TO RAFTER
COLUMN CONNECTION DETAIL
FOR RAFTER SPANS 12' < x < 15'**

SCALE: NTS

**MOORE AND ASSOCIATES
ENGINEERING AND CONSULTING, INC.**

DRAWN BY: LT

CHECKED BY: PDH

PROJECT MGR: VSM

CLIENT: -

**EAGLE CARPORTS
210 AIRPORT ROAD
MOUNT AIRY, NC 27030
30'x16' SP ENCLOSED STRUCTURE**

DATE: 11-11-16

SHT. 14

SCALE: NTS

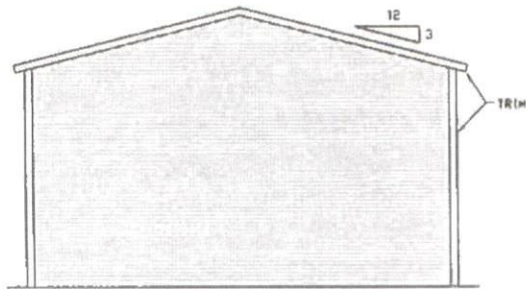
DWG. NO: SK-3

JOB NO: 16166S

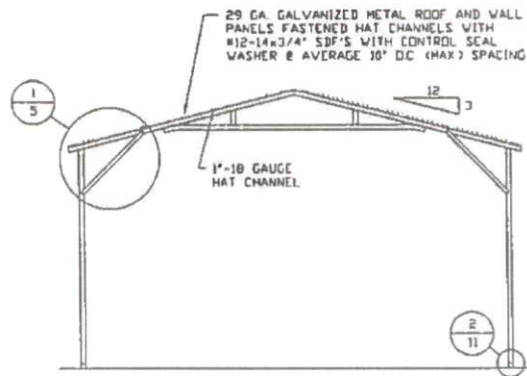
REV: 1

THIS DOCUMENT IS THE PROPERTY OF MOORE AND ASSOCIATES ENGINEERING AND CONSULTING. THE UNAUTHORIZED REPRODUCTION, COPYING, OR OTHERWISE USE OF THIS DOCUMENT IS STRICTLY PROHIBITED AND ANY INFRINGEMENT THEREUPON MAY BE SUBJECT TO LEGAL ACTION.

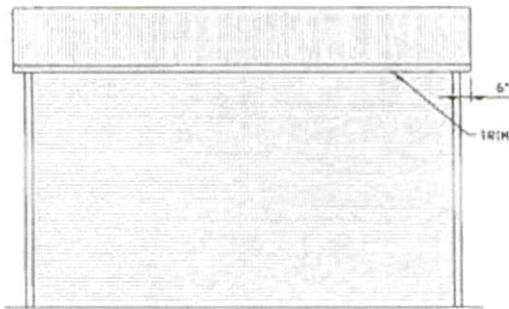
BOX EAVE RAFTER VERTICAL ROOF OPTION



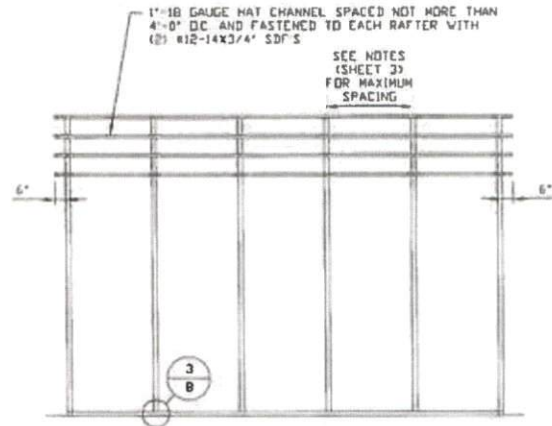
**TYPICAL END ELEVATION
VERTICAL ROOF**
SCALE: NTS



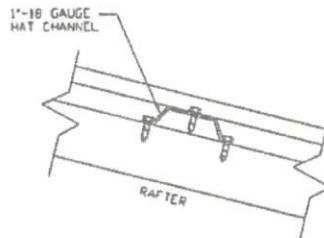
**TYPICAL SECTION
VERTICAL ROOF OPTION**
SCALE: NTS



**TYPICAL SIDE ELEVATION
VERTICAL ROOF**
SCALE: NTS



**TYPICAL FRAMING SECTION
VERTICAL ROOF OPTION**
SCALE: NTS



ROOF PANEL ATTACHMENT
(ALTERNATE FOR VERTICAL ROOF PANELS)
SCALE: NTS

**MOORE AND ASSOCIATES
ENGINEERING AND CONSULTING, INC.**

DRAWN BY: LT

CHECKED BY: PDH

PROJECT MGR: VSM

CLIENT: -

EAGLE CARPORTS
210 AIRPORT ROAD
MOUNT AIRY, NC 27030
30'x16' SP ENCLOSED STRUCTURE

DATE: 11-11-16

SHT. 15

SCALE: NTS

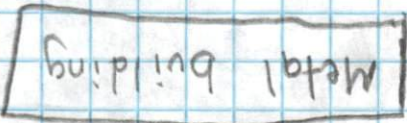
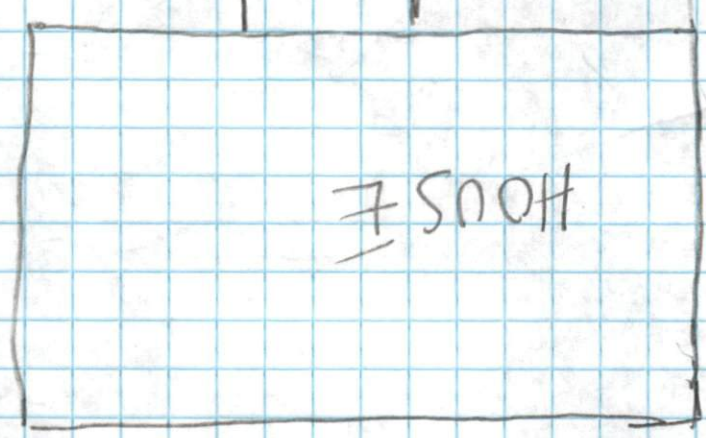
DWG. NO: SK-3

JOB NO: 161665

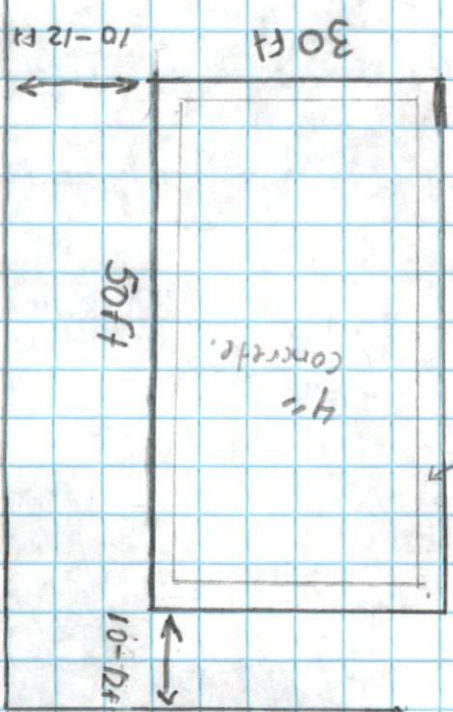
REV: 1

THIS DOCUMENT IS THE PROPERTY OF MOORE AND ASSOCIATES ENGINEERING AND CONSULTING. THE UNAUTHORIZED REPRODUCTION, COPYING, OR OTHERWISE USE OF THIS DOCUMENT IS STRICTLY PROHIBITED AND ANY INFRINGEMENT THEREUPON MAY BE SUBJECT TO LEGAL ACTION.

Street



front



Concrete
8" wide
12" down

Ramon Hernandez
1351 cone mill Rd
Coats NC 27521
919 723 5008