

A PLUS CARPORTS

STRUCTURAL DESIGN

ENCLOSED BUILDING

**MAXIMUM 30'-0" WIDE X 20'- 0" EAVE HEIGHT-
BOX EAVE FRAME AND BOW FRAME**

11 November 2020

Revision 0

M&A Project No. 20209S

Prepared for:

A Plus Carports, LLC

4297 Hwy 268 East

Pilot Mountain, NC 27041

Prepared by:

Moore and Associates Engineering and Consulting, Inc.

1009 East Avenue

North Augusta, SC 29841

401 S. Main Street, Suite 200

Mount Airy, NC 27030

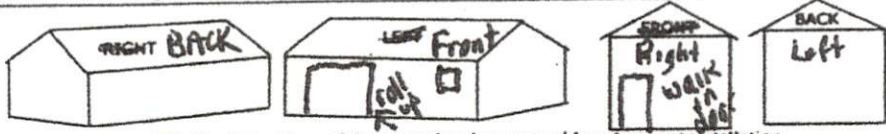


MOORE AND ASSOCIATES
ENGINEERING AND CONSULTING

A+ A PLUS CARPORTS

PO Box 1550 Pilot Mountain, NC 27041
 336.755.3113 • Fax 336.755.3123
 Email: chelsea.4616@gmail.com

Dealer Email: MAC BUILDINGS Date: 3/10/2021
 Customer Name: KEVIN ENNIS Customer Email: KJENNIS@EMBARQMAIL.COM
 Physical Address to the Site: 434 PURFOY RD Day Phone: 919-291-8318 Evening Phone: _____
 County: FUQUAY-VARINA Zip: 27526
 Roof Style: VERTICAL 24x36 Post Height: 10 Color Selected: TOP BLACK SIDES WHITE TRIM BLACK



Mark locations of doors on drawings to avoid confusion at installation.
 Baserail is 1' Shorter Than Overall Length. Length Includes 6" Overhang at Top.

DESCRIPTION	ITEM DETAILS	PRICE
TYPE / SIZE SELECTED	24x36	3145
WARRANTY METAL (IF NOT SELECTED NO WARRANTY)		
SIDES OR EXTRA METAL	ENCLOSED	910
POST HEIGHT - Side-Walls	10FT	340
FRONT ENCLOSED	ENCLOSED	1045
BACK ENCLOSED	ENCLOSED	1045
GABLE END		
ROLL-UP AND WARRANTY (MAX HAVE 11000 LBS OR 6000 LBS)	9x8	400
	9x8	100
OR FRAME-OUTS (&size)	WALK-IN	250
ENTRANCE DOORS - PRICE	30'x30'	150
WINDOWS - PRICE		
VERTICAL ENDS AND SIDES		
CERTIFICATION IS EXTRA MATERIALS (NOT A PAPER OR WARRANTY)	YES/NO	450
ENGINEERED DRAWINGS ARE FOR CERTIFIED STRUCTURES ONLY AND ARE NOT INCLUDED IN THE CERTIFICATION. RESIDENTIAL STRUCTURES UP TO 30' W AND 16' TALL USE GENERIC DRAWINGS AT \$100. STRUCTURES THAT ARE LARGER, COMMERCIAL GRADE, OR COUNTY REQUIRES SITE SPECIFIC. \$40/\$50 FT.	YES (YES)	100

ADDITIONAL BOWS		
12 GAUGE 2.25" STEEL INSULATED		950.40
EXTRA BRACES	ROOF	
EXTRA AUGER ANCHORS	(FOU)	
SIDE-OPENINGS		
EXTRA LABOR FEES		
COLORED SCREWS: \$100/CARPORT \$300/GARAGE		
INSULATION (ONLY AVAILABLE IN VERTICAL ROOF STYLE)		

ALL ORDERS ARE TO BE PAID BEFORE INSTALLATION	
PRICE	8,885.40
TAX 7%	621.98
TOTAL DUE	9,507.38
DOWN PAYMENT (10-15%) DO NOT PAY MORE THAN 10-15% AT TIME OF ORDER, IT WILL DELAY INSTALL	1,521.18
SHIPPING (Items Under \$4000)	\$100.
\$6.00 CONVENIENCE FEE FOR CREDIT CARD PAYMENTS	
CARD FOR BALANCE DUE UPON DELIVERY	7,986.20

C/P# 1303

There is a 6" overhang at each end of A Plus Carports buildings. Buildings are 1' shorter at the Bottom than at the Roof. If pouring concrete, we recommend it to be poured 1' shorter than size ordered to prevent water from entering between steel base rails and concrete pad.

ARE YOU READY TODAY?

YES NO
 ELECTRICITY AVAILABLE?
 YES NO
 TYPE FOUNDATION
 GROUND WOOD
 GRAVEL OTHER
 CONCRETE

Please Read Carefully...

A Plus Carports will call customer 2-3 days ahead of your installation for scheduling. Scheduling and rescheduling usually takes 3-4 weeks. Holidays and bad weather will usually delay the process. Financing and rent to Own WILL delay the scheduling process. Customer is responsible for permits before installation and inspection Customer must contact A Plus Carports WITHIN 48 HOURS with ANY COMPLAINTS. Note, ALL Warranties ARE void if building is altered, moved, or has anything added to it.

Customer MUST provide a Lull Forklift at the location for structures over 14' tall and/or 30' in width AND for hanging roll up doors 12x12 or larger and MUST be available throughout the entire installation, which may last 2-3 days in case of delays or rain. Customer must mark cable or electrical lines before installation. Please mark off location where the structure is going before installers arrive. We WILL NOT be responsible for ANY damage including yards or pets.

Your site MUST be level within 4". If the ground is not level, you must have leveling blocks available for installers to use. Installation on blocks, gravel, or loose dirt WILL void our warranties. There will be a \$150. return trip fee for any return trips due to foundation being unlevel.

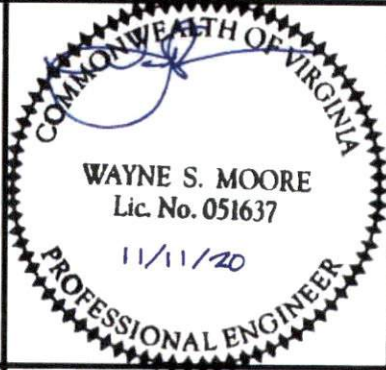
A Plus Carports Reserves the right to correct any errors. The customer agrees to allow A PLUS CARPORTS to repossess ANY BUILDINGS THAT ARE NOT PAID FOR IN FULL UPON DELIVERY. CUSTOMER AGREES TO ALLOW APC TO REPO ANY BUILDINGS OR BUILDING OPTIONS NOT PAID FOR UPON ARRIVAL TO SITE. Daily 3% interest will be charged if payment is not made.

There is a 10%-15% NON REFUNDABLE down payment due when the order is placed.

Customer agrees that any court hearings will be held in Surry County, NC. These prices DO NOT include grading, foundation preparation or concrete. A \$200.00 labor fee WILL be charged for extra labor including but not limited to, build over fee (RV, wall, ect.), cutting posts to level foundation, materials carried to remote locations, up steep driveways or trimming around trees or bushes, and is to be paid directly to the contractor. We do not repair roll-up doors.

I have read this form in its entirety and completely understand the above information and give my approval for construction of the building and for the removal of the building if it is not paid in full on installation.

Customer Signature: [Signature] Dealer Signature: [Signature]



MOORE AND ASSOCIATES
ENGINEERING AND CONSULTING, INC.

DRAWN BY: LT

CHECKED BY: PDH

PROJECT MGR: WSM

CLIENT: A PLUS

A PLUS CARPORTS, LLC
4297 HWY 268 EAST
PILOT MOUNTAIN, NC 27041
30'-0" x 20'-0" ENCLOSED STRUCTURE

DATE: 11-11-20

SCALE: NTS

JOB NO: 20209S

SHT. 1

DWG. NO: SK-3

REV: 0

THIS DOCUMENT IS THE PROPERTY OF MOORE AND ASSOCIATES ENGINEERING AND CONSULTING. THE UNAUTHORIZED REPRODUCTION, COPYING, OR OTHERWISE USE OF THIS DOCUMENT IS STRICTLY PROHIBITED AND ANY INFRINGEMENT THEREUPON MAY BE SUBJECT TO LEGAL ACTION.

DRAWING INDEX

SHEET 1	PE SEAL COVER SHEET
SHEET 2	DRAWING INDEX
SHEET 3	INSTALLATION NOTES AND SPECIFICATIONS
SHEET 4	TYPICAL SIDE AND END ELEVATIONS
SHEET 5	TYPICAL RAFTER/COLUMN END AND SIDE FRAMING SECTION (BOX EAVE RAFTER)
SHEET 5A	TYPICAL RAFTER/COLUMN END AND SIDE FRAMING SECTION (BOX EAVE RAFTER)
SHEET 6	COLUMN CONNECTION DETAILS (BOX EAVE STRUCTURE)
SHEET 7	TYPICAL RAFTER/COLUMN END AND SIDE FRAMING SECTION (BOW EAVE RAFTER)
SHEET 7A	TYPICAL RAFTER/COLUMN END AND SIDE FRAMING SECTION (BOW EAVE RAFTER)
SHEET 8	COLUMN CONNECTION DETAILS (BOW EAVE RAFTER STRUCTURE)
SHEET 9	BASE RAIL ANCHORAGE OPTIONS
SHEET 10	BOX EAVE RAFTER END WALL AND SIDE WALL OPENINGS
SHEET 11	BOW EAVE RAFTER END WALL AND SIDE WALL OPENINGS
SHEET 12	CONNECTION DETAILS
SHEET 13	CONNECTION DETAILS
SHEET 14	LEAN-TO OPTIONS (BOX EAVE RAFTER)
SHEET 14A	LEAN-TO OPTIONS (BOX EAVE RAFTER)
SHEET 15	LEAN-TO OPTIONS (BOW EAVE RAFTER)
SHEET 16	BOX EAVE RAFTER VERTICAL ROOF/SIDING OPTION
SHEET 17	SIDE WALL AND END WALL HEADER OPTIONS

MOORE AND ASSOCIATES ENGINEERING AND CONSULTING, INC.	DRAWN BY: LT	A PLUS CARPORTS, LLC 4297 HWY 268 EAST PILOT MOUNTAIN, NC 27041 30'-0" x 20'-0" ENCLOSED STRUCTURE		
	CHECKED BY: PDH			
THIS DOCUMENT IS THE PROPERTY OF MOORE AND ASSOCIATES ENGINEERING AND CONSULTING. THE UNAUTHORIZED REPRODUCTION, COPYING, OR OTHERWISE USE OF THIS DOCUMENT IS STRICTLY PROHIBITED AND ANY INFRINGEMENT THEREUPON MAY BE SUBJECT TO LEGAL ACTION.	PROJECT MGR: WSM	DATE: 11-11-20	SCALE: NTS	JOB NO: 20209S
	CLIENT: A PLUS	SHT. 2	DWG. NO: SK-3	REV: 0

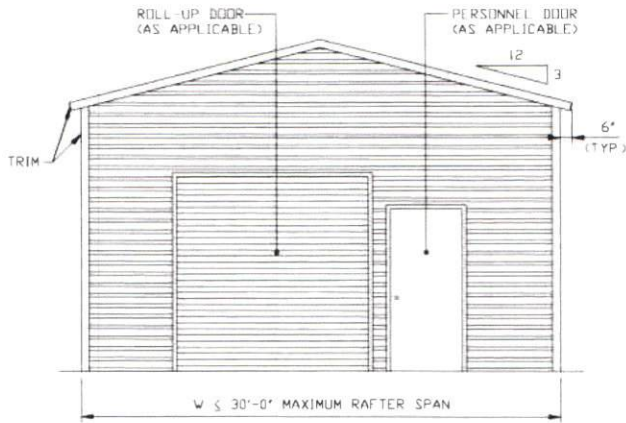
INSTALLATION NOTES AND SPECIFICATIONS

- 1 DESIGN IS FOR MAXIMUM 30'-0" WIDE x 20'-0" EAVE HEIGHT ENCLOSED STRUCTURES
- 2 DESIGN WAS DONE IN ACCORDANCE WITH THE 2018 NORTH CAROLINA BUILDING CODE (NCBC), 2018 INTERNATIONAL BUILDING CODE (IBC), 2015 IBC AND 2012 IBC
- 3 DESIGN LOADS ARE AS FOLLOWS:
 - A) DEAD LOAD = 115 PSF
 - B) LIVE LOAD = 20 PSF
 - C) GROUND SNOW LOAD = 25 PSF

NOTE: UNBALANCED SNOW LOAD DUE TO DRIFTING HAS NOT BEEN EVALUATED.
- 4 3-SECOND GUST ULTIMATE WIND SPEED (V_{ult}) = \leq 155 MPH (NOMINAL WIND SPEED = \leq 120 MPH)
- 5 MAXIMUM RAFTER/POST AND END POST SPACING = 40 FEET (UNLESS NOTED OTHERWISE).
- 6 END WALL COLUMNS (POSTS) ARE EQUIVALENT TO SIDE WALL POSTS IN SIZE AND SPACING (UNLESS NOTED OTHERWISE)
- 7 RISK CATEGORY I/II
- 8 WIND EXPOSURE CATEGORY B/C
- 9 SPECIFICATIONS APPLICABLE TO 29 GAUGE METAL PANELS FASTENED DIRECTLY TO 2 1/2" x 2 1/2" - 14 GAUGE TUBE STEEL (TS) FRAMING MEMBERS (UNLESS NOTED OTHERWISE). TS 2 1/4" x 2 1/4" - 12 GAUGE MAY BE USED AS OPTIONAL FRAMING MEMBERS
- 10 AVERAGE FASTENER SPACING ON-CENTERS ALONG RAFTERS OR HAT CHANNELS, AND COLUMNS (INTERIOR OR END) = 10" O.C. (MAX) FOR RC I AND 8" O.C. (MAX) FOR RC II.
- 11 FASTENERS CONSIST OF #12-14x3/4" SELF-DRILLING FASTENER (SDF), USE CONTROL SEAL WASHER WITH EXTERIOR FASTENERS. SPECIFICATIONS APPLICABLE ONLY FOR MEAN ROOF HEIGHT OF 20 FEET OR LESS, AND ROOF SLOPES OF 14" (3:12 PITCH) OR LESS. SPACING REQUIREMENTS FOR OTHER ROOF HEIGHTS AND/OR SLOPES MAY VARY. ROOF SLOPES LESS THAN 3:12 REQUIRE USE OF LAP JOINT SEALANT
- 12 ANCHORS SHALL BE INSTALLED THROUGH BASE RAIL WITHIN 6" OF EACH COLUMN.
- 13 STANDARD GROUND ANCHORS (SOIL NAILS) CONSIST OF #4 REBAR W/ WELDED NUT x 36" LONG AND MAY BE USED IN SUITABLE SOILS. OPTIONAL ANCHORAGE MAY BE USED IN SUITABLE SOILS AND MUST BE USED IN UNSUITABLE SOILS AS NOTED. SOIL NAILS MAY ONLY BE USED FOR WIND SPEEDS \leq 145 MPH. COORDINATE WITH LOCAL CODES/ORDINANCES REGARDING MINIMUM LENGTH FOR FROST DEPTH PROTECTION.
- 14 WIND FORCES GOVERN OVER SEISMIC FORCES. SEISMIC PARAMETERS ANALYZED ARE:
 - SOIL SITE CLASS = D
 - RISK CATEGORY I/II
 - R = 3.25 $I_E = 10$
 - $S_{DS} = 2.039 g$ $V = C_S W$
 - $S_{D1} = 1.258 g$
- 15 MAXIMUM THRESHOLD HEIGHT FOR PERSONNEL DOORS USED FOR MEANS OF EGRESS IN RC II STRUCTURES IS 1/2"

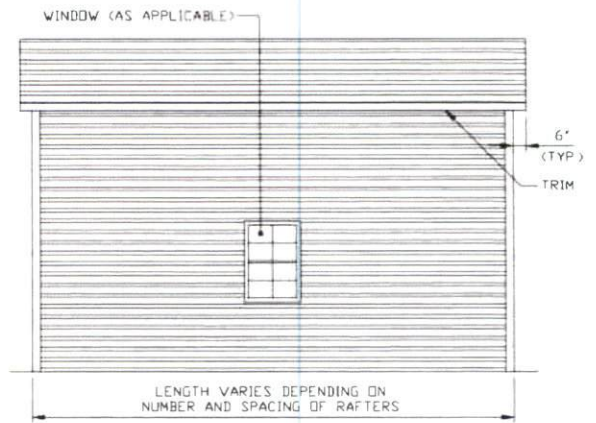
MOORE AND ASSOCIATES ENGINEERING AND CONSULTING, INC.	DRAWN BY: LT	A PLUS CARPORTS, LLC 4297 HWY 268 EAST PILOT MOUNTAIN, NC 27041 30'-0"x20'-0" ENCLOSED STRUCTURE		
	CHECKED BY: PDH	PROJECT MGR: WSH	DATE: 11-11-20	SCALE: NTS
THIS DOCUMENT IS THE PROPERTY OF MOORE AND ASSOCIATES ENGINEERING AND CONSULTING. THE UNAUTHORIZED REPRODUCTION, COPYING, OR OTHERWISE USE OF THIS DOCUMENT IS STRICTLY PROHIBITED AND ANY INFRINGEMENT THEREUPON MAY BE SUBJECT TO LEGAL ACTION.	CLIENT: A PLUS	SHT. 3	DWG. NO: SK-3	JOB NO: 20209S REV: 0

BOX EAVE FRAME RAFTER STRUCTURE



TYPICAL END ELEVATION

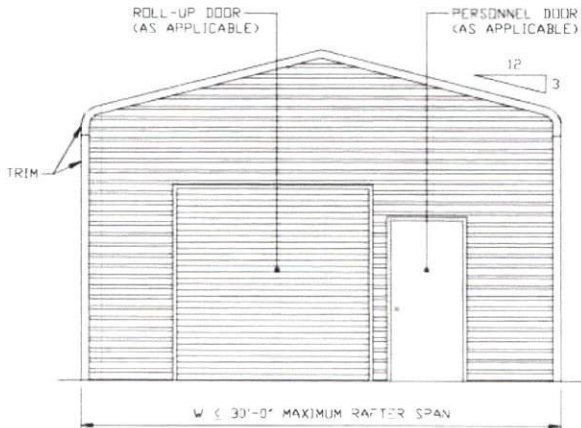
SCALE: NTS



TYPICAL SIDE ELEVATION

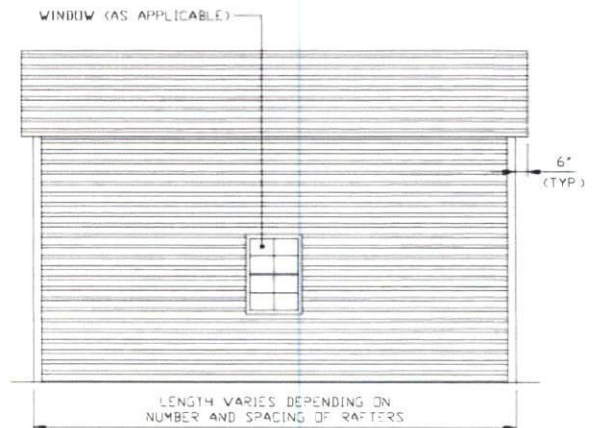
SCALE: NTS

BOW EAVE FRAME RAFTER STRUCTURE



TYPICAL END ELEVATION

SCALE: NTS



TYPICAL SIDE ELEVATION

SCALE: NTS

**MOORE AND ASSOCIATES
ENGINEERING AND CONSULTING, INC.**

DRAWN BY: LT

CHECKED BY: PDH

PROJECT MGR: WSM

CLIENT: A PLUS

A PLUS CARPORTS, LLC
4297 HWY 268 EAST
PILOT MOUNTAIN, NC 27041
30'-0" x 20'-0" ENCLOSED STRUCTURE

DATE: 11-11-20

SHT. 4

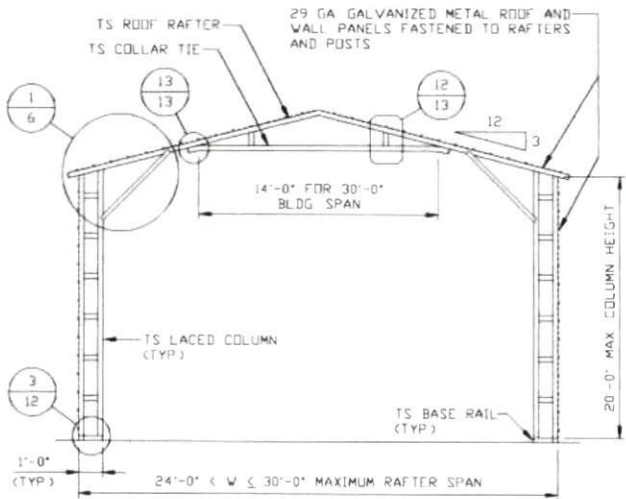
SCALE: NTS

DWG. NO: SK-3

JOB NO: 20209S

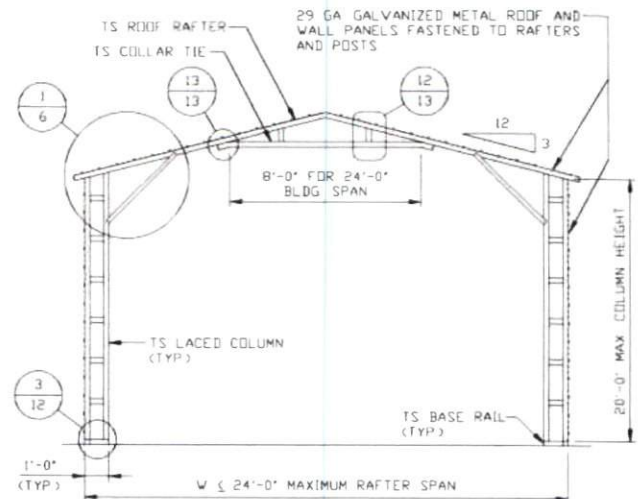
REV: 0

THIS DOCUMENT IS THE PROPERTY OF MOORE AND ASSOCIATES ENGINEERING AND CONSULTING. THE UNAUTHORIZED REPRODUCTION, COPYING, OR OTHERWISE USE OF THIS DOCUMENT IS STRICTLY PROHIBITED AND ANY INFRINGEMENT THEREUPON MAY BE SUBJECT TO LEGAL ACTION.



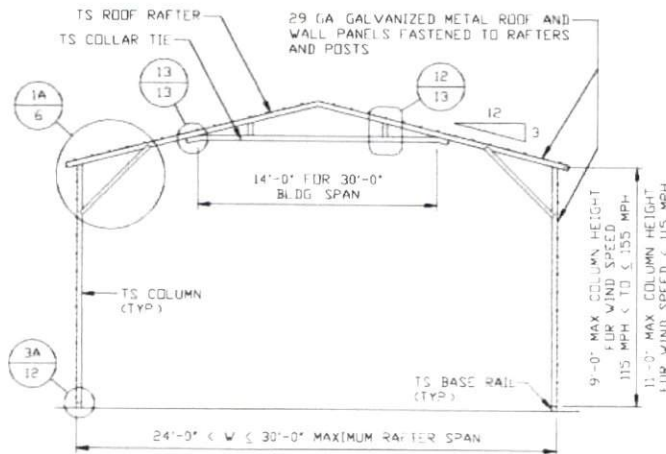
TYPICAL RAFTER/COLUMN END FRAME SECTION

SCALE: NTS



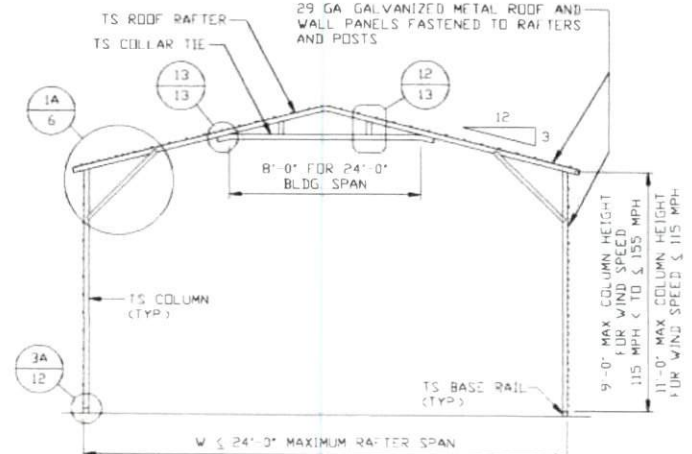
TYPICAL RAFTER/COLUMN END FRAME SECTION

SCALE: NTS



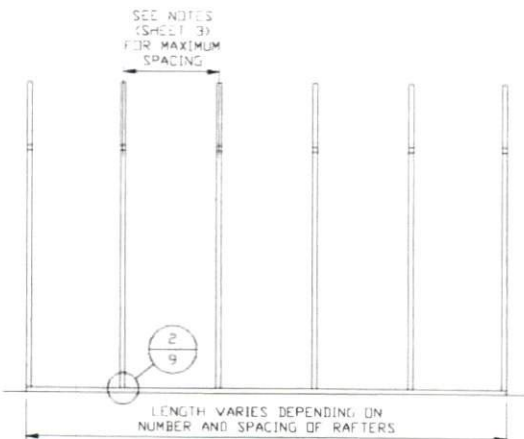
TYPICAL RAFTER/COLUMN END FRAME SECTION

SCALE: NTS



TYPICAL RAFTER/COLUMN END FRAME SECTION

SCALE: NTS



TYPICAL RAFTER/COLUMN SIDE FRAMING SECTION

SCALE: NTS

**MOORE AND ASSOCIATES
ENGINEERING AND CONSULTING, INC.**

DRAWN BY: LT

CHECKED BY: PDH

PROJECT MGR: WSM

CLIENT: A PLUS

A PLUS CARPORTS, LLC
4297 HWY 268 EAST
PILOT MOUNTAIN, NC 27041
30'-0" x 20'-0" ENCLOSED STRUCTURE

DATE: 11-11-20

SHT. 5

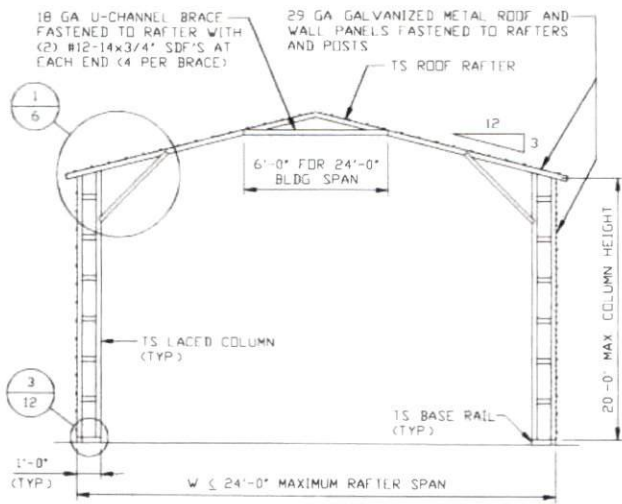
SCALE: NTS

DWG. NO: SK-3

JOB NO: 20209S

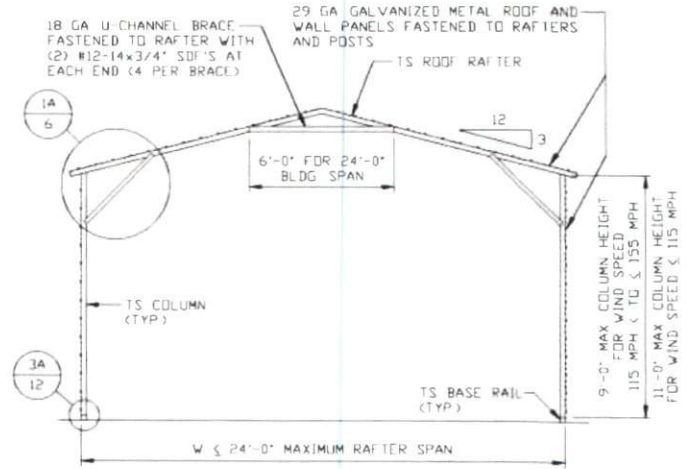
REV: 0

THIS DOCUMENT IS THE PROPERTY OF MOORE AND ASSOCIATES ENGINEERING AND CONSULTING. THE UNAUTHORIZED REPRODUCTION, COPYING, OR OTHERWISE USE OF THIS DOCUMENT IS STRICTLY PROHIBITED AND ANY INFRINGEMENT THEREUPON MAY BE SUBJECT TO LEGAL ACTION.



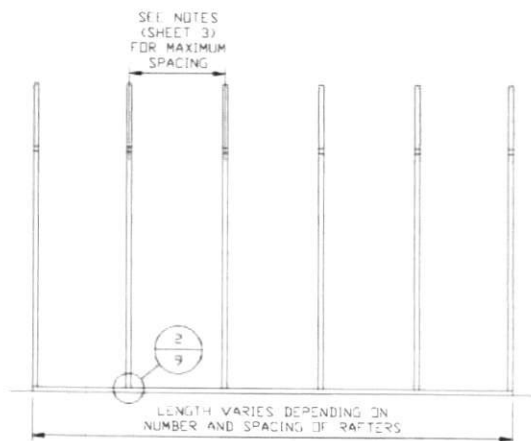
TYPICAL RAFTER/COLUMN END FRAME SECTION

SCALE: NTS



TYPICAL RAFTER/COLUMN END FRAME SECTION

SCALE: NTS



TYPICAL RAFTER/COLUMN SIDE FRAMING SECTION

SCALE: NTS

**MOORE AND ASSOCIATES
ENGINEERING AND CONSULTING, INC.**

DRAWN BY: LT

CHECKED BY: PDH

PROJECT MGR: WSM

CLIENT: A PLUS

A PLUS CARPORTS, LLC
4297 HWY 268 EAST
PILOT MOUNTAIN, NC 27041
30'-0" x 20'-0" ENCLOSED STRUCTURE

DATE: 11-11-20

SHT. 5A

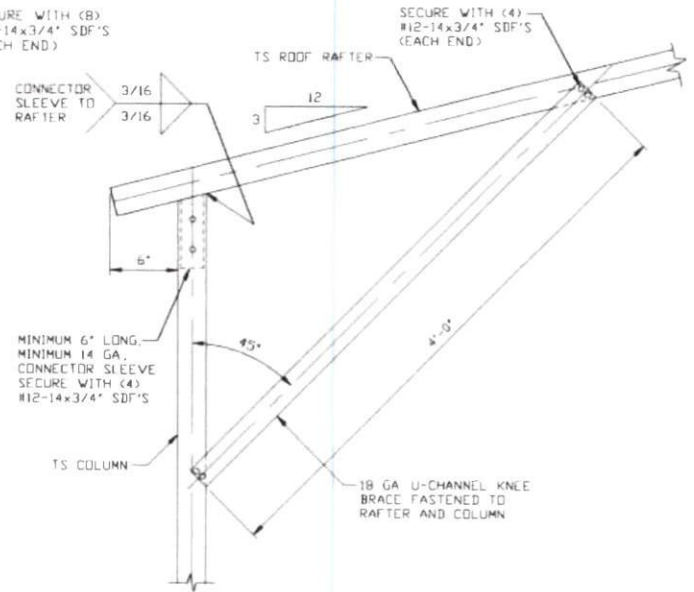
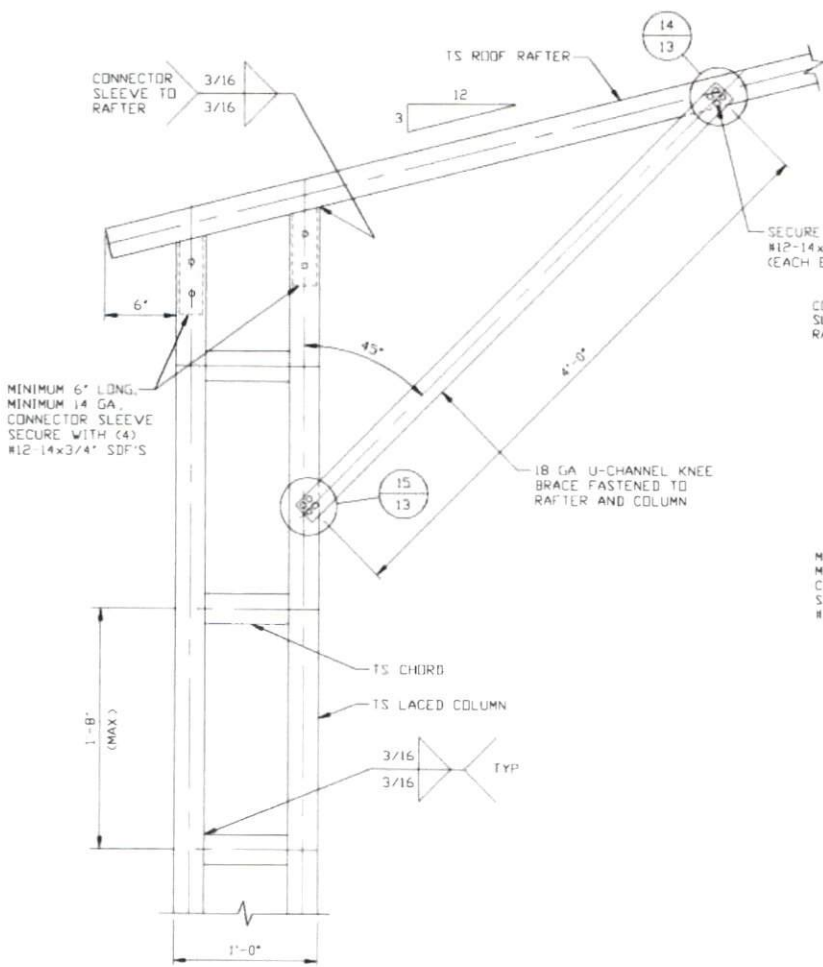
SCALE: NTS

DWG. NO: SK-3

JOB NO: 20209S

REV: 0

THIS DOCUMENT IS THE PROPERTY OF MOORE AND ASSOCIATES ENGINEERING AND CONSULTING. THE UNAUTHORIZED REPRODUCTION, COPYING, OR OTHERWISE USE OF THIS DOCUMENT IS STRICTLY PROHIBITED AND ANY INFRINGEMENT THEREUPON MAY BE SUBJECT TO LEGAL ACTION.

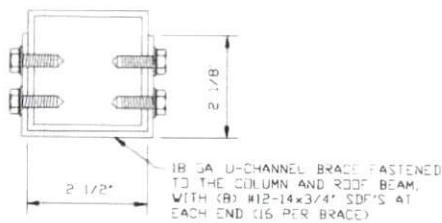


BOX EAVE RAFTER COLUMN CONNECTION DETAIL
 HEIGHTS $\leq 9'-0"$ FOR WIND SPEED $115 \text{ MPH} < \text{TO} \leq 155 \text{ MPH}$
 HEIGHTS $\leq 11'-0"$ FOR WIND SPEED $\leq 115 \text{ MPH}$

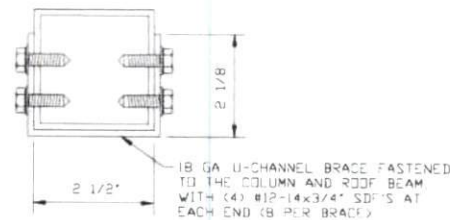
1A

SCALE: NTS
 NOTE: 3'-0" KNEE BRACE MAY BE USED FOR BUILDING WIDTH $\leq 24'-0"$

1
BOX EAVE RAFTER COLUMN CONNECTION DETAIL FOR HEIGHTS $9'-0" < \text{TO} \leq 20'-0"$
 SCALE: NTS



BRACE SECTION
 SCALE: NTS



BRACE SECTION
 SCALE: NTS

**MOORE AND ASSOCIATES
 ENGINEERING AND CONSULTING, INC.**

DRAWN BY: LT

CHECKED BY: PDH

PROJECT MGR: WSM

CLIENT: A PLUS

A PLUS CARPORTS, LLC
 4297 HWY 268 EAST
 PILOT MOUNTAIN, NC 27041
 30'-0"x20'-0" ENCLOSED STRUCTURE

DATE: 11-11-20

SHT. 6

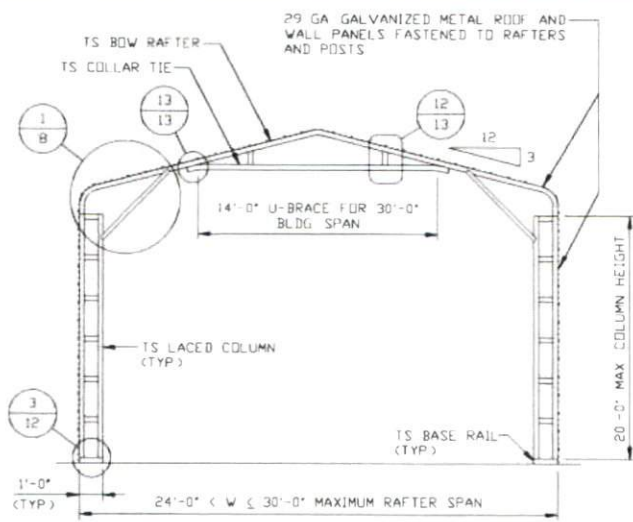
SCALE: NTS

DWG. NO: SK-3

JOB NO: 20209S

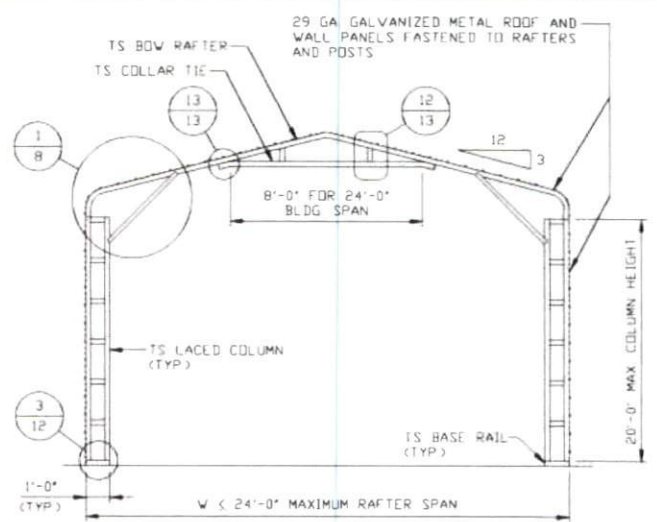
REV: 0

THIS DOCUMENT IS THE PROPERTY OF MOORE AND ASSOCIATES ENGINEERING AND CONSULTING. THE UNAUTHORIZED REPRODUCTION, COPYING, OR OTHERWISE USE OF THIS DOCUMENT IS STRICTLY PROHIBITED AND ANY INFRINGEMENT THEREUPON MAY BE SUBJECT TO LEGAL ACTION.



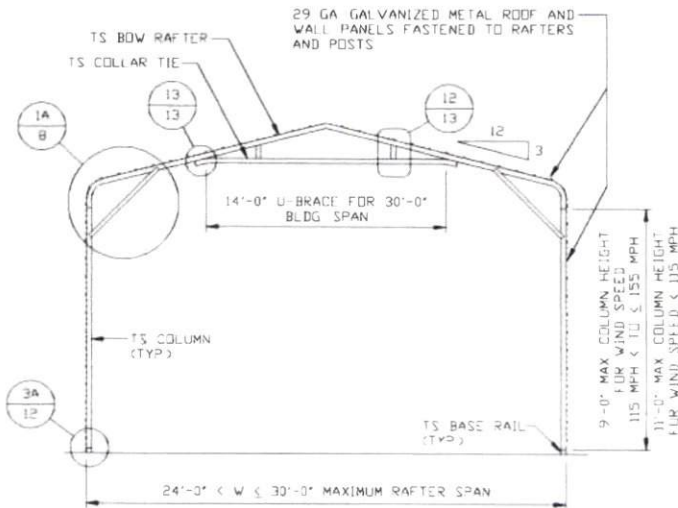
TYPICAL RAFTER/COLUMN END FRAME SECTION

SCALE: NTS



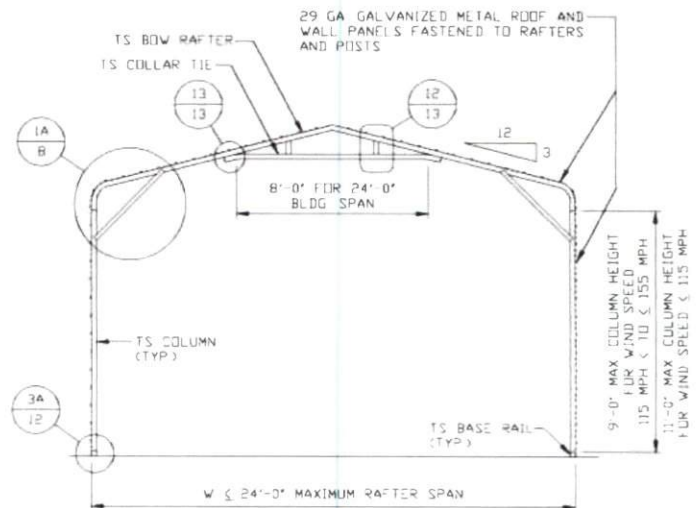
TYPICAL RAFTER/COLUMN END FRAME SECTION

SCALE: NTS



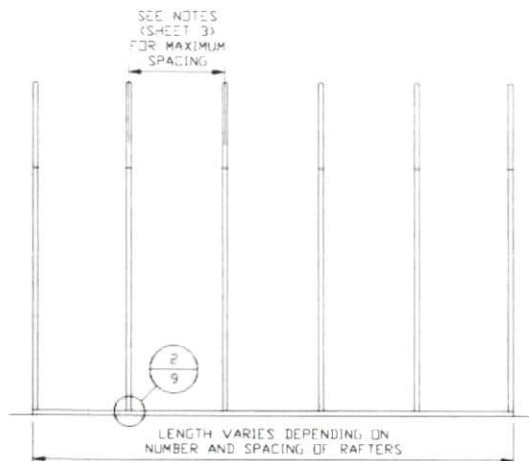
TYPICAL RAFTER/COLUMN END FRAME SECTION

SCALE: NTS



TYPICAL RAFTER/COLUMN END FRAME SECTION

SCALE: NTS



TYPICAL RAFTER/COLUMN FRAMING SIDE SECTION

SCALE: NTS

**MOORE AND ASSOCIATES
ENGINEERING AND CONSULTING, INC.**

DRAWN BY: LT

CHECKED BY: PDH

PROJECT MGR: WSM

CLIENT: A PLUS

A PLUS CARPORTS, LLC
4297 HWY 268 EAST
PILOT MOUNTAIN, NC 27041
30'-0" x 20'-0" ENCLOSED STRUCTURE

DATE: 11-11-20

SHT. 7

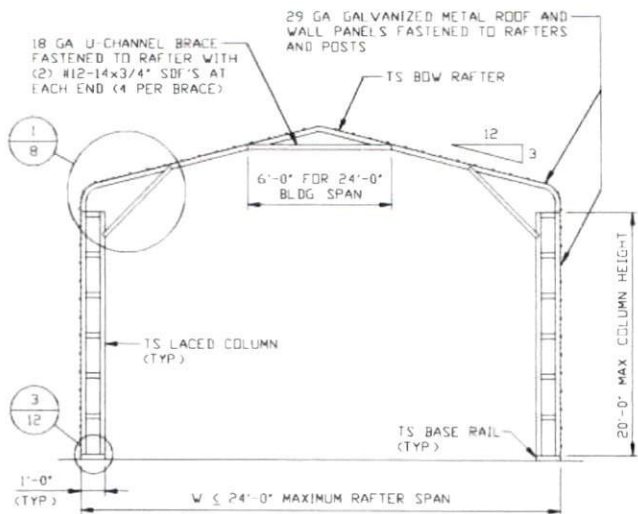
SCALE: NTS

DWG. NO: SK-3

JOB NO: 20209S

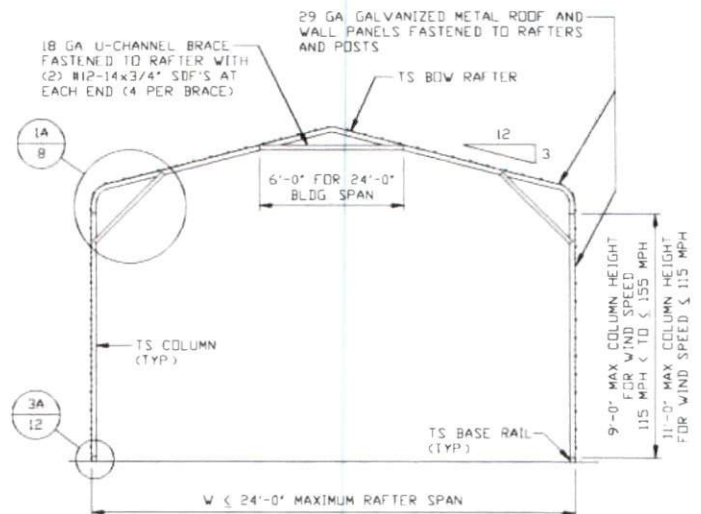
REV: 0

THIS DOCUMENT IS THE PROPERTY OF MOORE AND ASSOCIATES ENGINEERING AND CONSULTING. THE UNAUTHORIZED REPRODUCTION, COPYING, OR OTHERWISE USE OF THIS DOCUMENT IS STRICTLY PROHIBITED AND ANY INFRINGEMENT THEREUPON MAY BE SUBJECT TO LEGAL ACTION.



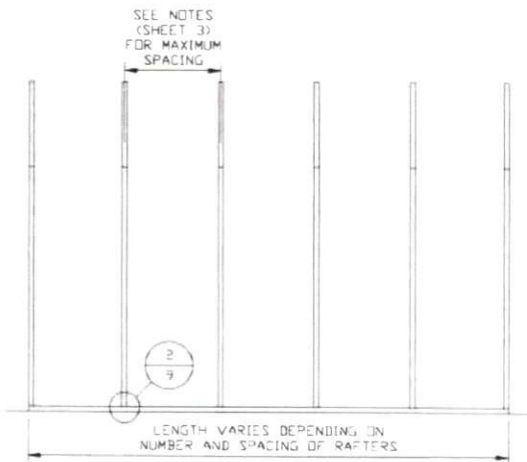
TYPICAL RAFTER/COLUMN END FRAME SECTION

SCALE: NTS



TYPICAL RAFTER/COLUMN END FRAME SECTION

SCALE: NTS



TYPICAL RAFTER/COLUMN FRAMING SIDE SECTION

SCALE: NTS

**MOORE AND ASSOCIATES
ENGINEERING AND CONSULTING, INC.**

DRAWN BY: LT

CHECKED BY: PDH

PROJECT MGR: WSM

CLIENT: A PLUS

A PLUS CARPORTS, LLC
4297 HWY 268 EAST
PILOT MOUNTAIN, NC 27041
30'-0" x 20'-0" ENCLOSED STRUCTURE

DATE: 11-11-20

SHT. 7A

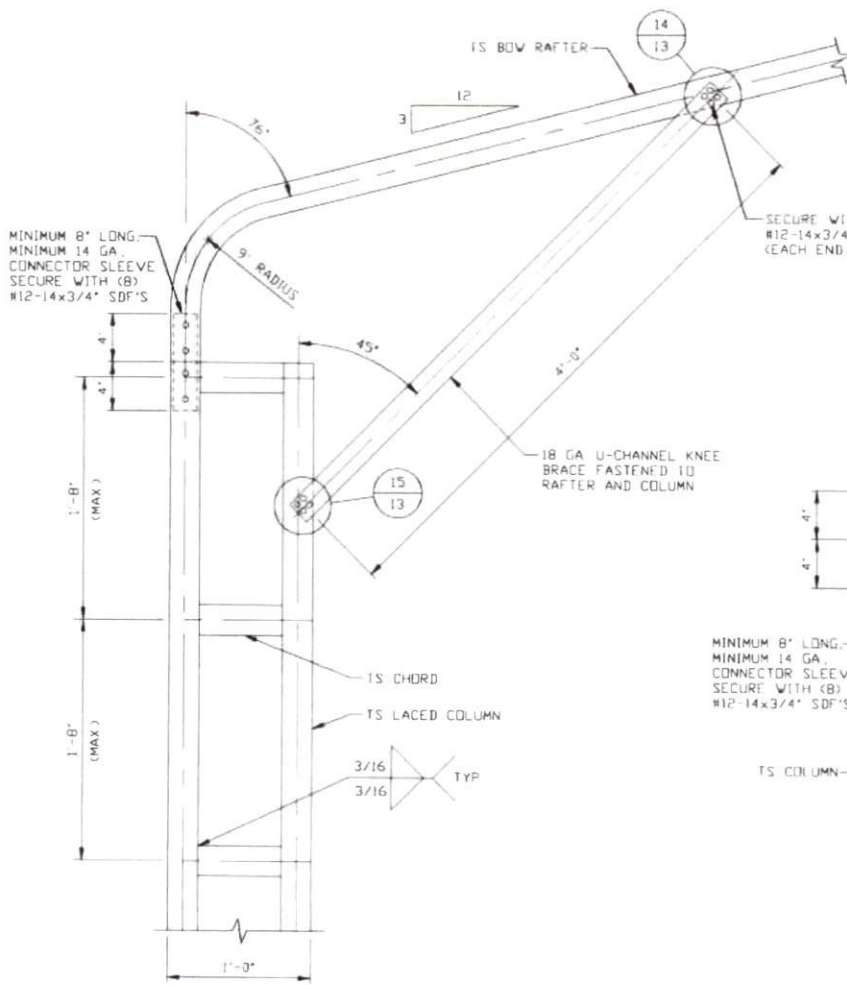
SCALE: NTS

DWG. NO: SK-3

JOB NO: 202095

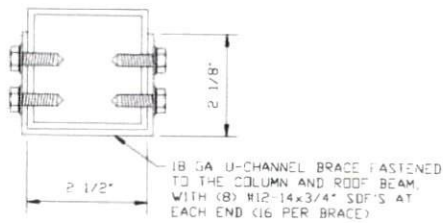
REV: 0

THIS DOCUMENT IS THE PROPERTY OF MOORE AND ASSOCIATES ENGINEERING AND CONSULTING. THE UNAUTHORIZED REPRODUCTION, COPYING, OR OTHERWISE USE OF THIS DOCUMENT IS STRICTLY PROHIBITED AND ANY INFRINGEMENT THEREUPON MAY BE SUBJECT TO LEGAL ACTION.



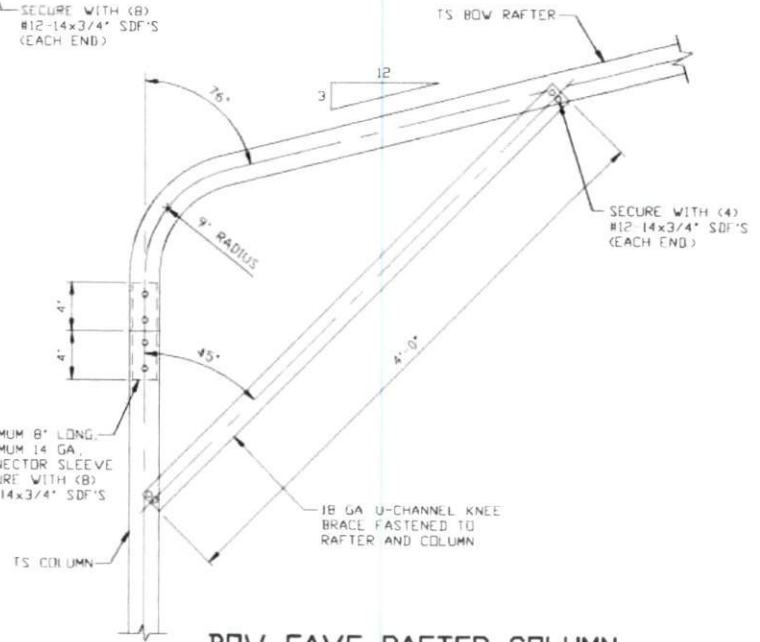
1 **BOW EAVE RAFTER COLUMN CONNECTION
DETAIL FOR HEIGHTS 9'-0" < TO <= 20'-0"**

SCALE: NTS



BRACE SECTION

SCALE: NTS

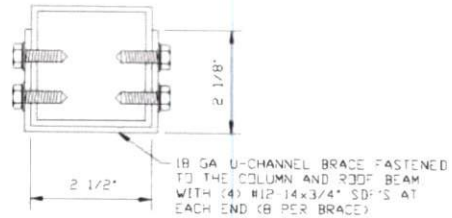


**BOW EAVE RAFTER COLUMN
CONNECTION DETAIL
HEIGHTS <= 9'-0" FOR WIND SPEED
115 MPH < TO <= 155 MPH
HEIGHTS <= 11'-0" FOR
WIND SPEED <= 115 MPH**

1A

SCALE: NTS

NOTE: 3'-0" KNEE BRACE MAY BE USED
FOR BUILDING WIDTH <= 24'-0"



BRACE SECTION

SCALE: NTS

**MOORE AND ASSOCIATES
ENGINEERING AND CONSULTING, INC.**

DRAWN BY: LT

CHECKED BY: PDH

PROJECT MGR: VSM

CLIENT: A PLUS

**A PLUS CARPORTS, LLC
4297 HWY 268 EAST
PILOT MOUNTAIN, NC 27041
30'-0" x 20'-0" ENCLOSED STRUCTURE**

DATE: 11-11-20

SHT. 8

SCALE: NTS

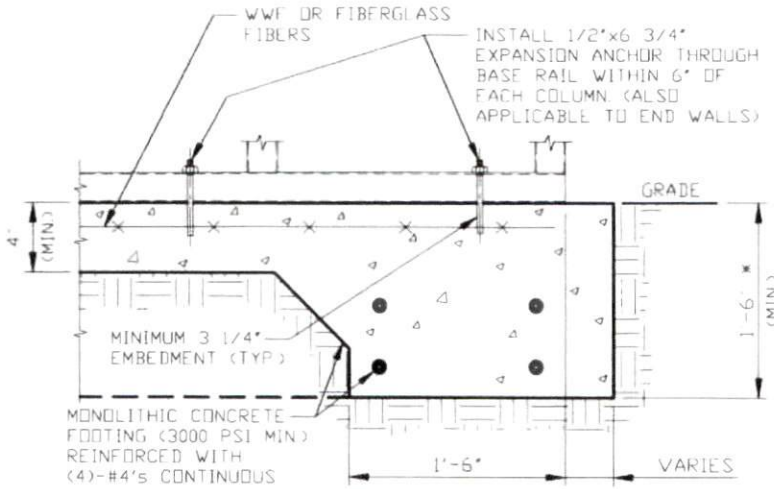
DWG. NO: SK-3

JOB NO: 20209S

REV: 0

THIS DOCUMENT IS THE PROPERTY OF MOORE AND ASSOCIATES ENGINEERING AND CONSULTING. THE UNAUTHORIZED REPRODUCTION, COPYING, OR OTHERWISE USE OF THIS DOCUMENT IS STRICTLY PROHIBITED AND ANY INFRINGEMENT THEREUPON MAY BE SUBJECT TO LEGAL ACTION.

BASE RAIL ANCHORAGE OPTIONS



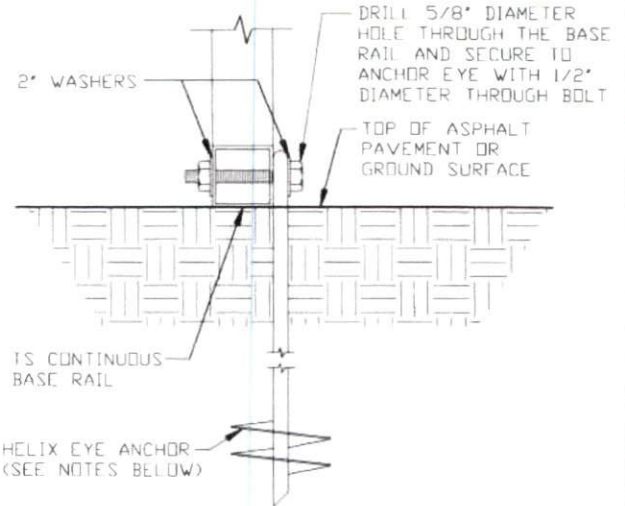
2

CONCRETE MONOLITHIC SLAB BASE RAIL ANCHORAGE

SCALE: NTS

MINIMUM ANCHOR EDGE DISTANCE IS 4"

* COORDINATE WITH LOCAL BUILDING CODE AND/OR BUILDING OFFICIAL REGARDING REQUIRED FOOTING DEPTH



2A

GROUND BASE HELIX ANCHORAGE

SCALE: NTS

(CAN BE USED FOR ASPHALT)

* COORDINATE WITH LOCAL CODES/ORD REGARDING MIN. FROST DEPTH (LENGTH)

GENERAL NOTES

NOTE: CONCRETE MONOLITHIC SLAB DESIGN BASED ON MINIMUM SOIL BEARING CAPACITY OF 1,500 PSF.

CONCRETE:

CONCRETE SHALL HAVE A MINIMUM SPECIFIED COMPRESSIVE STRENGTH OF 3,000 PSI AT 28 DAYS

COVER OVER REINFORCING STEEL:

FOR FOUNDATIONS, MINIMUM CONCRETE COVER OVER REINFORCING BARS SHALL BE PER ACI 318
3" IN FOUNDATIONS WHERE THE CONCRETE IS CAST AGAINST AND PERMANENTLY IN CONTACT WITH THE EARTH OR EXPOSED TO THE EARTH OR WEATHER, AND 1 1/2" ELSEWHERE

REINFORCING STEEL:

THE TURNDOWN REINFORCING STEEL SHALL BE ASTM A615 GRADE SO THE SLAB REINFORCEMENT SHALL BE WELDED WIRE FABRIC MEETING ASTM A185 OR FIBERGLASS FIBER REINFORCEMENT

REINFORCEMENT MAY BE BENT IN THE SHOP OR THE FIELD PROVIDED:

- 1 REINFORCEMENT IS BENT COLD
- 2 THE DIAMETER OF THE BEND, MEASURED ON THE INSIDE OF THE BAR IS NOT LESS THAN SIX-BAR DIAMETERS
- 3 REINFORCEMENT PARTIALLY EMBEDDED IN CONCRETE SHALL NOT BE FIELD BENT

HELIX ANCHOR NOTES:

- 1 FOR VERY DENSE AND/OR CEMENTED SANDS, COARSE GRAVEL AND COBBLES, CALICHE, PRELOADED SILTS AND CLAYS, USE MINIMUM (2) 4" HELICES WITH MINIMUM 30" EMBEDMENT OR SINGLE 6" HELIX WITH MINIMUM 50" EMBEDMENT
- 2 FOR CORAL USE MINIMUM (2) 4" HELICES WITH MINIMUM 30" EMBEDMENT OR SINGLE 6" HELIX WITH MINIMUM 50" EMBEDMENT
- 3 FOR MEDIUM DENSE COARSE SANDS, SANDY GRAVELS, VERY STIFF SILTS, AND CLAYS USE MINIMUM (2) 4" HELICES WITH MINIMUM 30 INCH EMBEDMENT OR SINGLE 6" HELIX WITH MINIMUM 50" EMBEDMENT
- 4 FOR LOOSE TO MEDIUM DENSE SANDS, FIRM TO STIFF CLAYS AND SILTS ALLUVIAL FILL, USE MINIMUM (2) 6" HELICES WITH MINIMUM 50" EMBEDMENT
- 5 FOR VERY LOSE TO MEDIUM DENSE SANDS FIRM TO STIFFER CLAYS AND SILTS, ALLUVIAL FILL, USE MINIMUM (2) 8" HELICES WITH MINIMUM 60" EMBEDMENT

**MOORE AND ASSOCIATES
ENGINEERING AND CONSULTING, INC.**

DRAWN BY: LT

CHECKED BY: PDM

PROJECT MGR: VSM

CLIENT: A PLUS

A PLUS CARPORTS, LLC
4297 HWY 268 EAST
PILOT MOUNTAIN, NC 27041
30'-0" x 20'-0" ENCLOSED STRUCTURE

DATE: 11-11-20

SHT. 9

SCALE: NTS

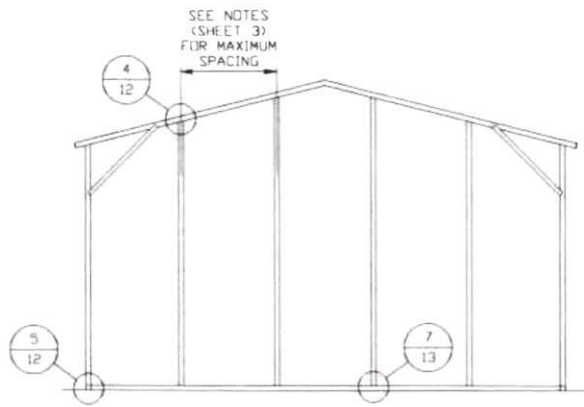
DWG. NO: SK-3

JOB NO: 20209S

REV: 0

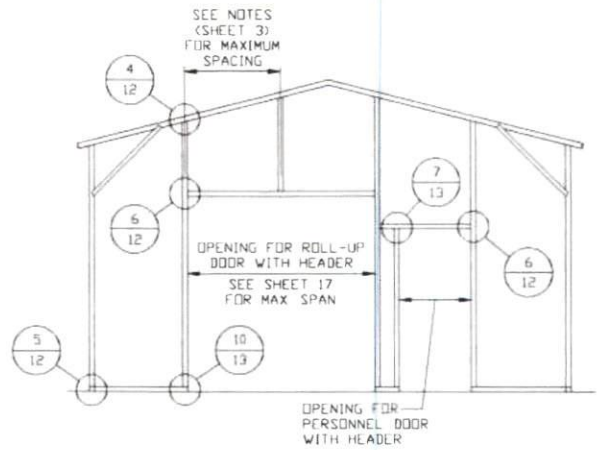
THIS DOCUMENT IS THE PROPERTY OF MOORE AND ASSOCIATES ENGINEERING AND CONSULTING. THE UNAUTHORIZED REPRODUCTION, COPYING, OR OTHERWISE USE OF THIS DOCUMENT IS STRICTLY PROHIBITED AND ANY INFRINGEMENT THEREUPON MAY BE SUBJECT TO LEGAL ACTION.

BOX EAVE RAFTER END WALL AND SIDE WALL OPENINGS



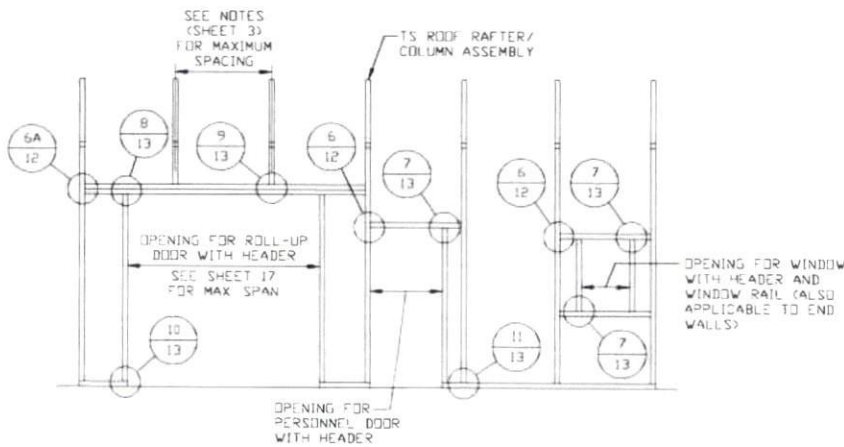
**TYPICAL BOX EAVE RAFTER
END WALL FRAMING SECTION**

SCALE: NTS



**TYPICAL BOX EAVE RAFTER END WALL
OPENINGS FRAMING SECTION**

SCALE: NTS



**TYPICAL BOX EAVE RAFTER SIDE
WALL OPENINGS FRAMING SECTION**

SCALE: NTS

**MOORE AND ASSOCIATES
ENGINEERING AND CONSULTING, INC.**

DRAWN BY: LT

CHECKED BY: PDH

PROJECT MGR: WSM

CLIENT: A PLUS

**A PLUS CARPORTS, LLC
4297 HWY 268 EAST
PILOT MOUNTAIN, NC 27041
30'-0" x 20'-0" ENCLOSED STRUCTURE**

DATE: 11-11-20

SHT. 10

SCALE: NTS

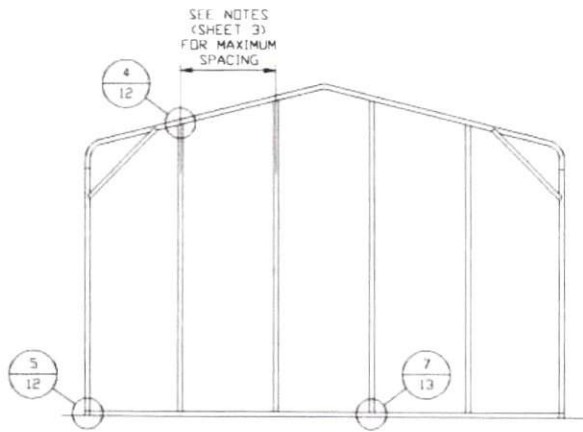
DWG. NO: SK-3

JOB NO: 20209S

REV: 0

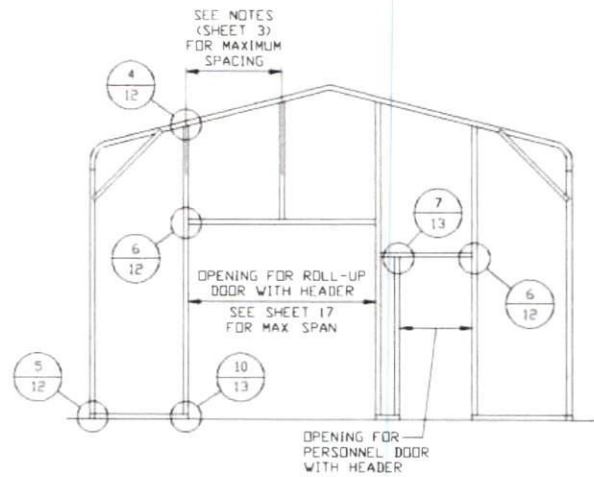
THIS DOCUMENT IS THE PROPERTY OF MOORE AND ASSOCIATES ENGINEERING AND CONSULTING. THE UNAUTHORIZED REPRODUCTION, COPYING, OR OTHERWISE USE OF THIS DOCUMENT IS STRICTLY PROHIBITED AND ANY INFRINGEMENT THEREUPON MAY BE SUBJECT TO LEGAL ACTION.

BOW EAVE RAFTER END WALL AND SIDE WALL OPENINGS



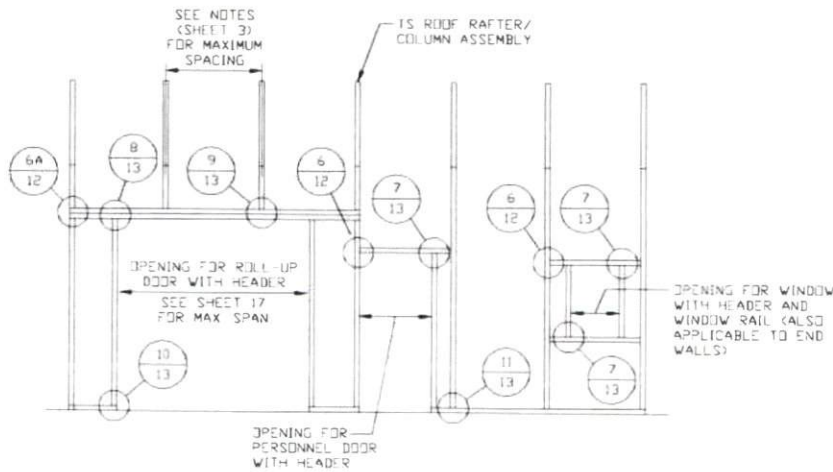
**TYPICAL BOW RAFTER
END WALL FRAMING SECTION**

SCALE: NTS



**TYPICAL BOW RAFTER END WALL
OPENINGS FRAMING SECTION**

SCALE: NTS



**TYPICAL BOW RAFTER SIDE
WALL OPENINGS FRAMING SECTION**

SCALE: NTS

**MOORE AND ASSOCIATES
ENGINEERING AND CONSULTING, INC.**

DRAWN BY: LT

CHECKED BY: PDH

PROJECT MGR: WSM

CLIENT: A PLUS

A PLUS CARPORTS, LLC
4297 HWY 268 EAST
PILOT MOUNTAIN, NC 27041
30'-0" x 20'-0" ENCLOSED STRUCTURE

DATE: 11-11-20

SHT. 11

SCALE: NTS

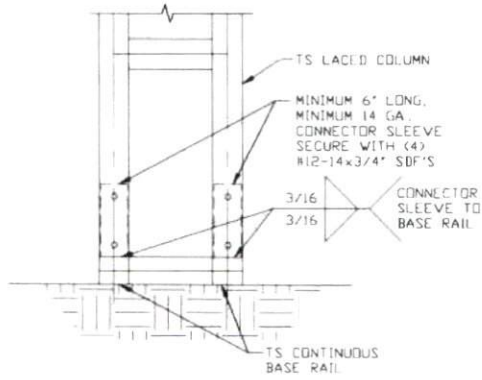
DWG. NO: SK-3

JOB NO: 20209S

REV: 0

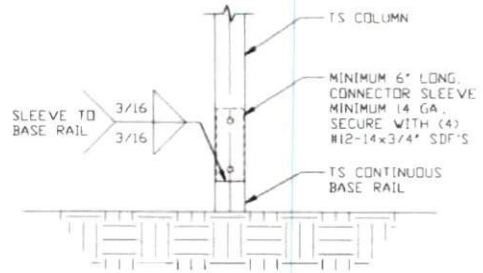
THIS DOCUMENT IS THE PROPERTY OF MOORE AND ASSOCIATES ENGINEERING AND CONSULTING. THE UNAUTHORIZED REPRODUCTION, COPYING, OR OTHERWISE USE OF THIS DOCUMENT IS STRICTLY PROHIBITED AND ANY INFRINGEMENT THEREUPON MAY BE SUBJECT TO LEGAL ACTION.

CONNECTION DETAILS



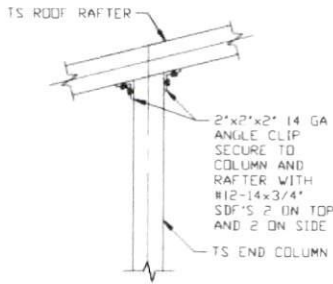
3 RAFTER COLUMN/BASE RAIL CONNECTION DETAIL

SCALE: NTS



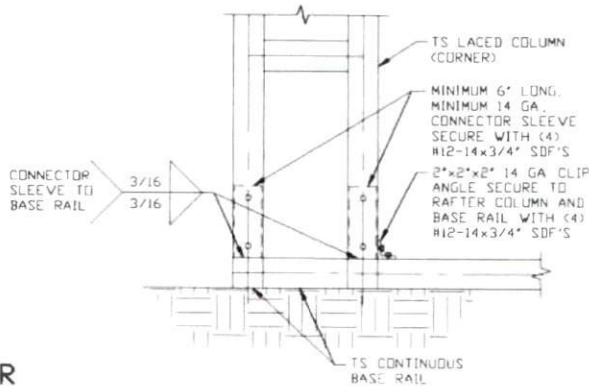
3A RAFTER COLUMN/BASE RAIL CONNECTION DETAIL

SCALE: NTS



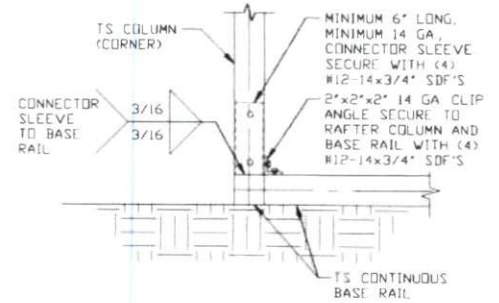
4 END COLUMN/RAFTER CONNECTION DETAIL

SCALE: NTS



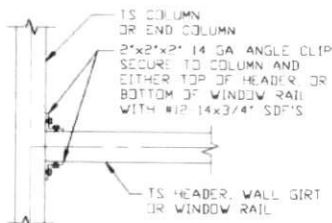
5 END COLUMN/BASE RAIL CONNECTION DETAIL

SCALE: NTS



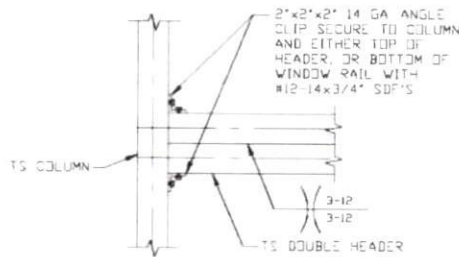
5A END COLUMN/BASE RAIL CONNECTION DETAIL

SCALE: NTS



6 COLUMN OR WINDOW RAIL/WALL GIRT TO POST CONNECTION DETAIL

SCALE: NTS



6A COLUMN OR DOUBLE HEADER TO POST CONNECTION DETAIL

SCALE: NTS

**MOORE AND ASSOCIATES
ENGINEERING AND CONSULTING, INC.**

DRAWN BY: LT

CHECKED BY: PDH

PROJECT MGR: WSM

CLIENT: A PLUS

A PLUS CARPORTS, LLC
4297 HWY 268 EAST
PILOT MOUNTAIN, NC 27041
30-0"x20'-0" ENCLOSED STRUCTURE

DATE: 11-11-20

SHT. 12

SCALE: NTS

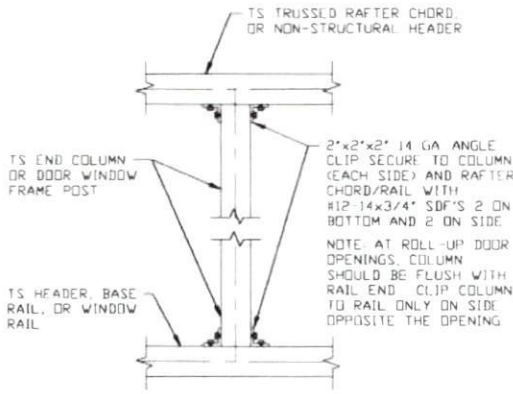
DWG. NO: SK-3

JOB NO: 20209S

REV: 0

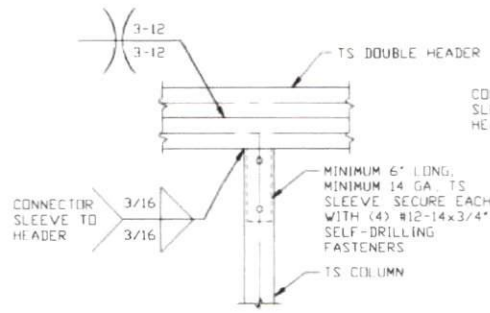
THIS DOCUMENT IS THE PROPERTY OF MOORE AND ASSOCIATES ENGINEERING AND CONSULTING. THE UNAUTHORIZED REPRODUCTION, COPYING, OR OTHERWISE USE OF THIS DOCUMENT IS STRICTLY PROHIBITED AND ANY INFRINGEMENT THEREUPON MAY BE SUBJECT TO LEGAL ACTION.

CONNECTION DETAILS



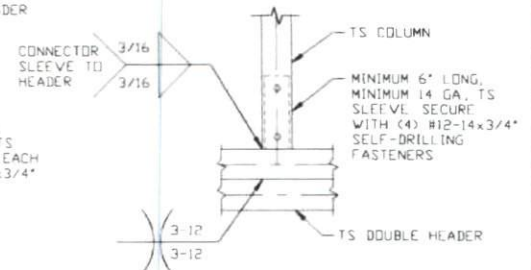
7 COLUMN TO WINDOW RAIL CONNECTION DETAIL

SCALE: NTS



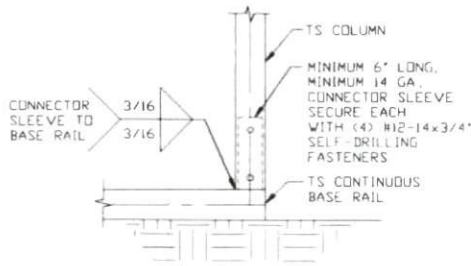
8 DOUBLE HEADER/COLUMN CONNECTION DETAIL

SCALE: NTS



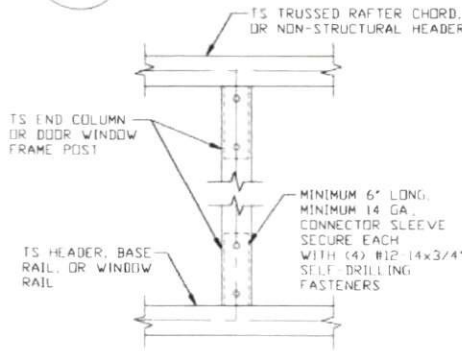
9 COLUMN/DOUBLE HEADER CONNECTION DETAIL

SCALE: NTS



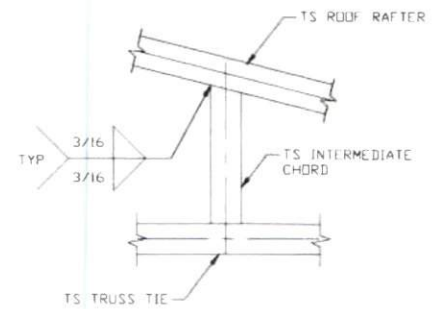
10 COLUMN/BASE RAIL CONNECTION DETAIL

SCALE: NTS



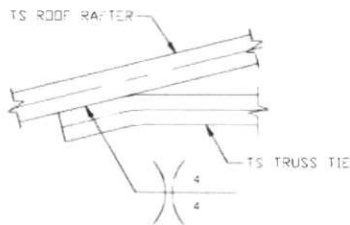
11 COLUMN TO HEADER OR BASE RAIL CONNECTION DETAIL

SCALE: NTS



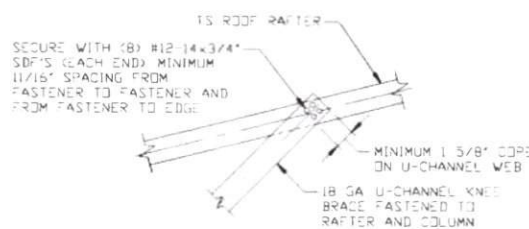
12 RAFTER TO CHORD CONNECTION DETAIL

SCALE: NTS



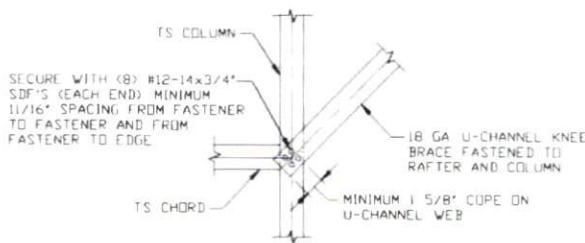
13 COLLAR TIE CONNECTION DETAIL

SCALE: NTS



14 U-CHANNEL TO RAFTER CONNECTION DETAIL

SCALE: NTS



15 U-CHANNEL TO COLUMN CONNECTION DETAIL

SCALE: NTS

**MOORE AND ASSOCIATES
ENGINEERING AND CONSULTING, INC.**

DRAWN BY: LT

CHECKED BY: PDH

PROJECT MGR: WSM

CLIENT: A PLUS

A PLUS CARPORTS, LLC
4297 HWY 268 EAST
PILOT MOUNTAIN, NC 27041
30'-0" x 20'-0" ENCLOSED STRUCTURE

DATE: 11-11-20

SHT. 13

SCALE: NTS

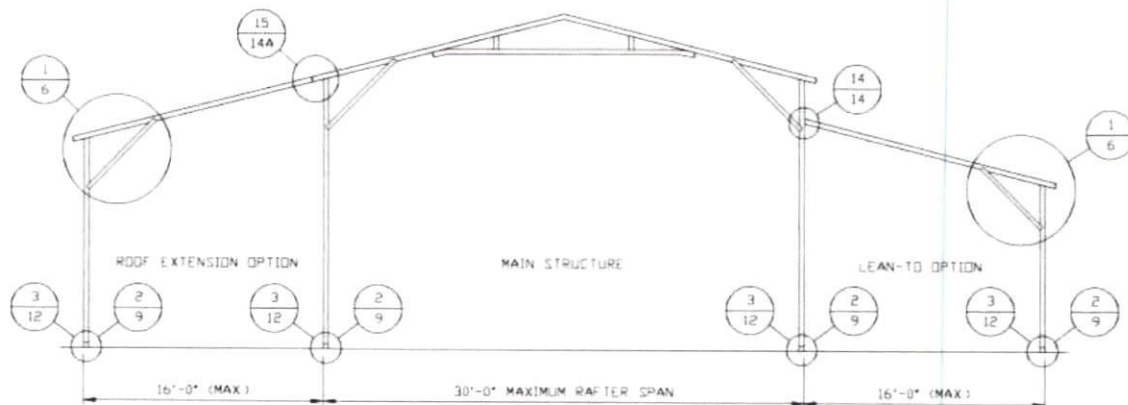
DWG. NO: SK-3

JOB NO: 20209S

REV: 0

THIS DOCUMENT IS THE PROPERTY OF MOORE AND ASSOCIATES ENGINEERING AND CONSULTING. THE UNAUTHORIZED REPRODUCTION, COPYING, OR OTHERWISE USE OF THIS DOCUMENT IS STRICTLY PROHIBITED AND ANY INFRINGEMENT THEREUPON MAY BE SUBJECT TO LEGAL ACTION.

BOX EAVE RAFTER LEAN-TO OPTIONS



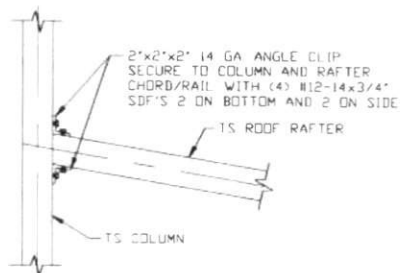
TYPICAL BOX EAVE RAFTER LEAN-TO OPTIONS FRAMING SECTION (BOTH OPTIONS SHOWN)

SCALE: NTS

MAXIMUM WIDTH OF LACED TUBE MEMBER (RAFTER AND COLUMN) ROOF EXTENSION AND LEAN-TO IS 16'-0"

MAXIMUM WIDTH OF SINGLE TUBE MEMBER (RAFTER AND COLUMN) ROOF EXTENSION AND LEAN-TO IS 11'-0"

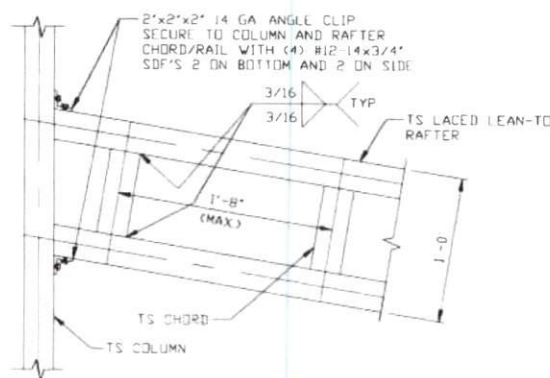
REFERENCE RAFTER COLUMN CONNECTION DETAILS FOR APPROPRIATE COLUMN HEIGHT AND TUBING SPECIFICATION.



**LEAN-TO RAFTER TO RAFTER
COLUMN CONNECTION DETAIL
FOR RAFTER SPANS $\leq 11'-0''$**

SCALE: NTS

14



**LEAN-TO RAFTER TO RAFTER
COLUMN CONNECTION DETAIL
FOR RAFTER SPANS $11'-0'' < \text{TO} \leq 16'-0''$**

SCALE: NTS

14A

**MOORE AND ASSOCIATES
ENGINEERING AND CONSULTING, INC.**

DRAWN BY: LT

CHECKED BY: PDH

PROJECT MGR: WSM

CLIENT: A PLUS

A PLUS CARPORTS, LLC
4297 HWY 268 EAST
PILOT MOUNTAIN, NC 27041
30'-0" x 20'-0" ENCLOSED STRUCTURE

DATE: 11-11-20

SHT. 14

SCALE: NTS

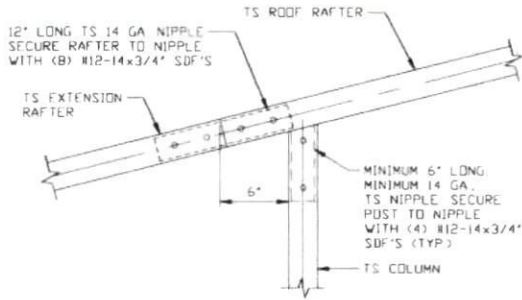
DWG. NO: SK-3

JOB NO: 20209S

REV: 0

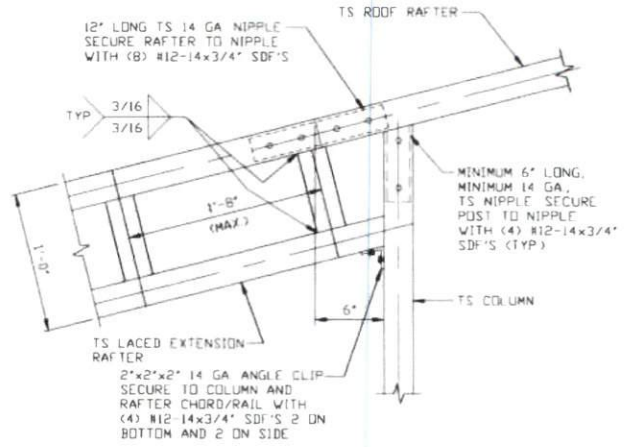
THIS DOCUMENT IS THE PROPERTY OF MOORE AND ASSOCIATES ENGINEERING AND CONSULTING. THE UNAUTHORIZED REPRODUCTION, COPYING, OR OTHERWISE USE OF THIS DOCUMENT IS STRICTLY PROHIBITED AND ANY INFRINGEMENT THEREUPON MAY BE SUBJECT TO LEGAL ACTION.

BOX EAVE RAFTER LEAN-TO OPTIONS



15 SIDE EXTENSION RAFTER
COLUMN DETAIL FOR
RAFTER SPANS $\leq 11'-0"$

SCALE: NTS



15A SIDE EXTENSION RAFTER
COLUMN DETAIL FOR RAFTER
SPANS $11'-0" < TO \leq 16'-0"$

SCALE: NTS

MOORE AND ASSOCIATES
ENGINEERING AND CONSULTING, INC.

DRAWN BY: LT

CHECKED BY: PDH

PROJECT MGR: WSM

CLIENT: A PLUS

A PLUS CARPORTS, LLC
4297 HWY 268 EAST
PILOT MOUNTAIN, NC 27041
30'-0" x 20'-0" ENCLOSED STRUCTURE

DATE: 11-11-20

SHT. 14A

SCALE: NTS

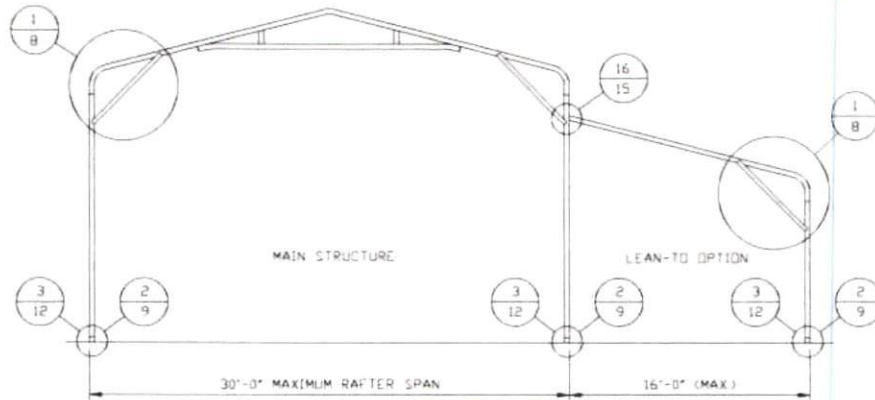
DWG. NO: SK-3

JOB NO: 20209S

REV: 0

THIS DOCUMENT IS THE PROPERTY OF MOORE AND ASSOCIATES ENGINEERING AND CONSULTING. THE UNAUTHORIZED REPRODUCTION, COPYING, OR OTHERWISE USE OF THIS DOCUMENT IS STRICTLY PROHIBITED AND ANY INFRINGEMENT THEREUPON MAY BE SUBJECT TO LEGAL ACTION.

BOW EAVE RAFTER LEAN-TO OPTION



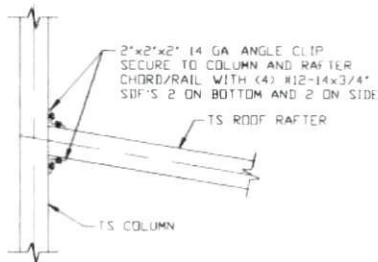
TYPICAL BOW EAVE RAFTER LEAN-TO OPTION FRAMING SECTION

SCALE: NTS

MAXIMUM WIDTH OF LACED TUBE MEMBER (RAFTER AND COLUMN) ROOF EXTENSION AND LEAN-TO IS 16'-0"

MAXIMUM WIDTH OF SINGLE TUBE MEMBER (RAFTER AND COLUMN) ROOF EXTENSION AND LEAN-TO IS 11'-0"

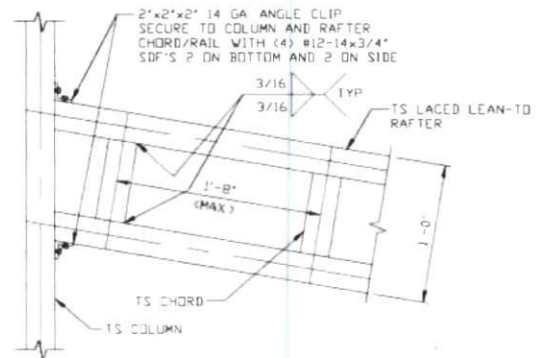
REFERENCE RAFTER COLUMN CONNECTION DETAILS FOR APPROPRIATE COLUMN HEIGHT AND TUBING SPECIFICATION



LEAN-TO RAFTER TO RAFTER COLUMN CONNECTION DETAIL FOR RAFTER SPANS $\leq 11'-0''$

SCALE: NTS

16



LEAN-TO RAFTER TO RAFTER COLUMN CONNECTION DETAIL FOR RAFTER SPANS $11'-0'' < \text{TO} \leq 16'-0''$

SCALE: NTS

16A

**MOORE AND ASSOCIATES
ENGINEERING AND CONSULTING, INC.**

DRAWN BY: LT

CHECKED BY: PDH

PROJECT MGR: WSH

CLIENT: A PLUS

A PLUS CARPORTS, LLC
4297 HWY 268 EAST
PILOT MOUNTAIN, NC 27041
30'-0" x 20'-0" ENCLOSED STRUCTURE

DATE: 11-11-20

SHT. 15

SCALE: NTS

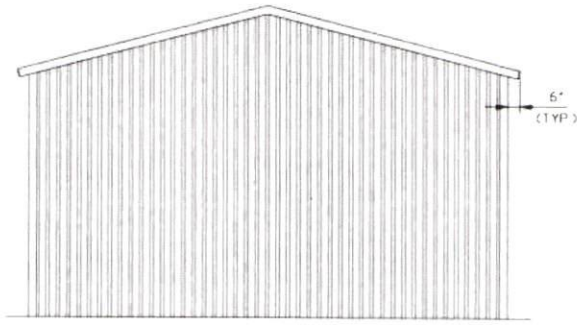
DWG. NO: SK-3

JOB NO: 20209S

REV: 0

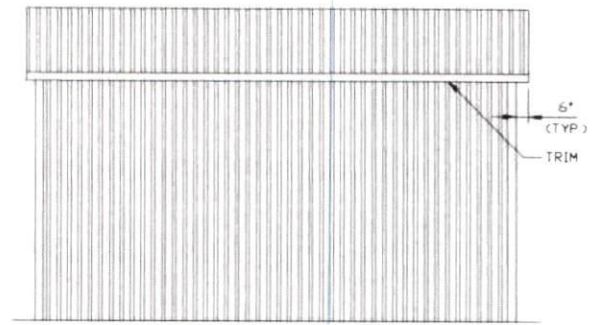
THIS DOCUMENT IS THE PROPERTY OF MOORE AND ASSOCIATES ENGINEERING AND CONSULTING. THE UNAUTHORIZED REPRODUCTION, COPYING, OR OTHERWISE USE OF THIS DOCUMENT IS STRICTLY PROHIBITED AND ANY INFRINGEMENT THEREUPON MAY BE SUBJECT TO LEGAL ACTION.

BOX EAVE RAFTER VERTICAL ROOF/SIDING OPTION



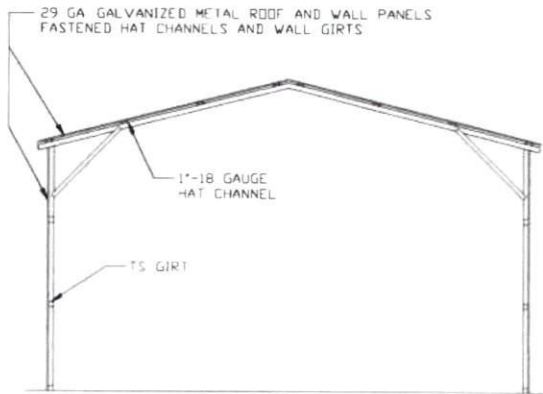
**TYPICAL END ELEVATION
VERTICAL ROOF/SIDING**

SCALE: NTS



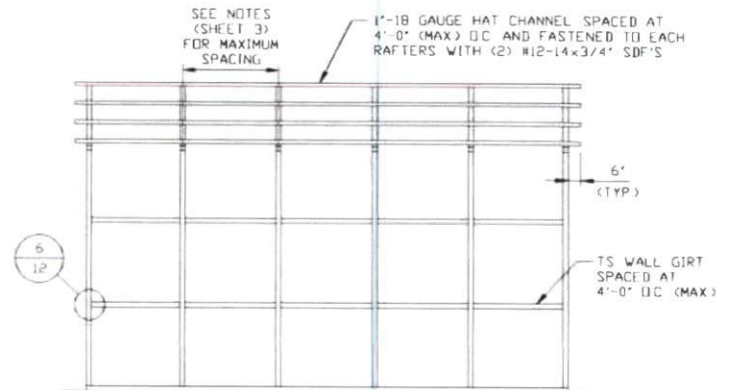
**TYPICAL SIDE ELEVATION
VERTICAL ROOF/SIDING**

SCALE: NTS



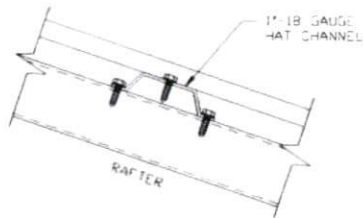
**TYPICAL SECTION VERTICAL
ROOF/SIDING OPTION**

SCALE: NTS



**TYPICAL FRAMING SECTION
VERTICAL ROOF/SIDING OPTION**

SCALE: NTS



PANEL ATTACHMENT

(ALTERNATE FOR VERTICAL ROOF PANELS)
SCALE: NTS

**MOORE AND ASSOCIATES
ENGINEERING AND CONSULTING, INC.**

DRAWN BY: LT

CHECKED BY: PDH

PROJECT MGR: VSM

CLIENT: A PLUS

A PLUS CARPORTS, LLC
4297 HWY 268 EAST
PILOT MOUNTAIN, NC 27041
30'-0" x 20'-0" ENCLOSED STRUCTURE

DATE: 11-11-20

SCALE: NTS

JOB NO: 20209S

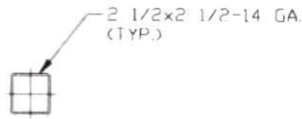
SHT. 16

DWG. NO: SK-3

REV: 0

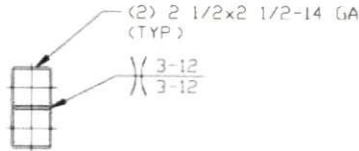
THIS DOCUMENT IS THE PROPERTY OF MOORE AND ASSOCIATES ENGINEERING AND CONSULTING. THE UNAUTHORIZED REPRODUCTION, COPYING, OR OTHERWISE USE OF THIS DOCUMENT IS STRICTLY PROHIBITED AND ANY INFRINGEMENT THEREUPON MAY BE SUBJECT TO LEGAL ACTION.

SIDE WALL HEADER OPTIONS



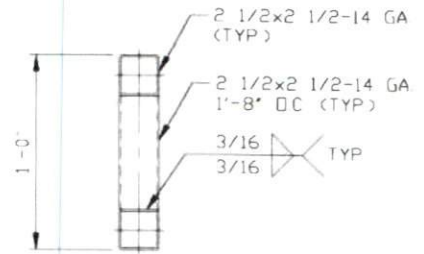
HEADER DETAIL FOR DOOR OPENINGS LENGTHS \leq 6'-0"

SCALE: NTS



HEADER DETAIL FOR DOOR OPENINGS 6'-0" < LENGTHS \leq 10'-0"

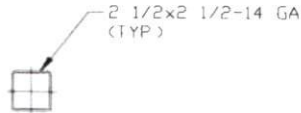
SCALE: NTS



HEADER DETAIL FOR DOOR OPENINGS 10'-0" < LENGTHS \leq 20'-0"

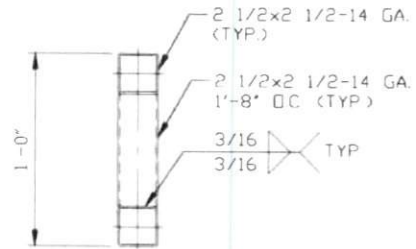
SCALE: NTS

END WALL HEADER OPTIONS



HEADER DETAIL FOR DOOR OPENINGS LENGTHS \leq 7'-0"

SCALE: NTS



HEADER DETAIL FOR DOOR OPENINGS 7'-0" < LENGTHS \leq 20'-0"

SCALE: NTS

**MOORE AND ASSOCIATES
ENGINEERING AND CONSULTING, INC.**

DRAWN BY: LT

CHECKED BY: PIDM

PROJECT MGR: WSM

CLIENT: A PLUS

A PLUS CARPORTS, LLC
4297 HWY 268 EAST
PILOT MOUNTAIN, NC 27041
30'-0" x 20'-0" ENCLOSED STRUCTURE

DATE: 11-11-20

SCALE: NTS

JOB NO: 20209S

SHT. 17

DWG. NO: SK-3

REV: 0

THIS DOCUMENT IS THE PROPERTY OF MOORE AND ASSOCIATES ENGINEERING AND CONSULTING. THE UNAUTHORIZED REPRODUCTION, COPYING, OR OTHERWISE USE OF THIS DOCUMENT IS STRICTLY PROHIBITED AND ANY INFRINGEMENT THEREUPON MAY BE SUBJECT TO LEGAL ACTION.