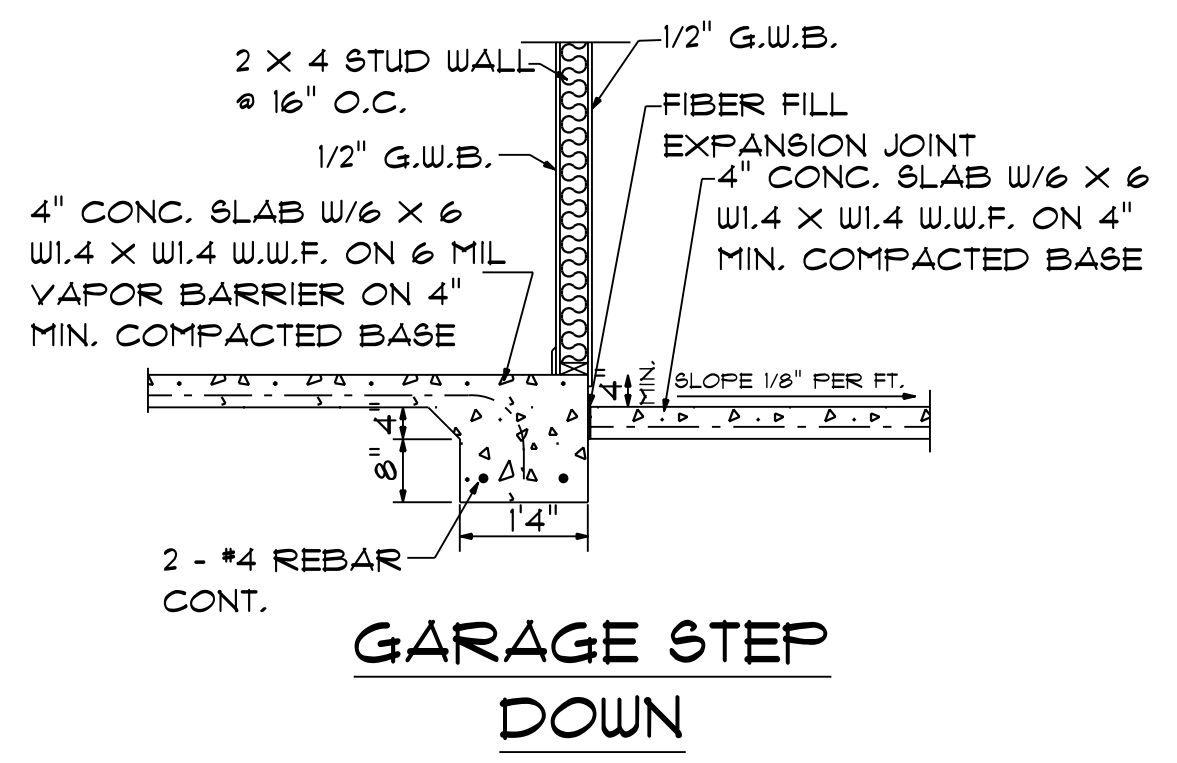
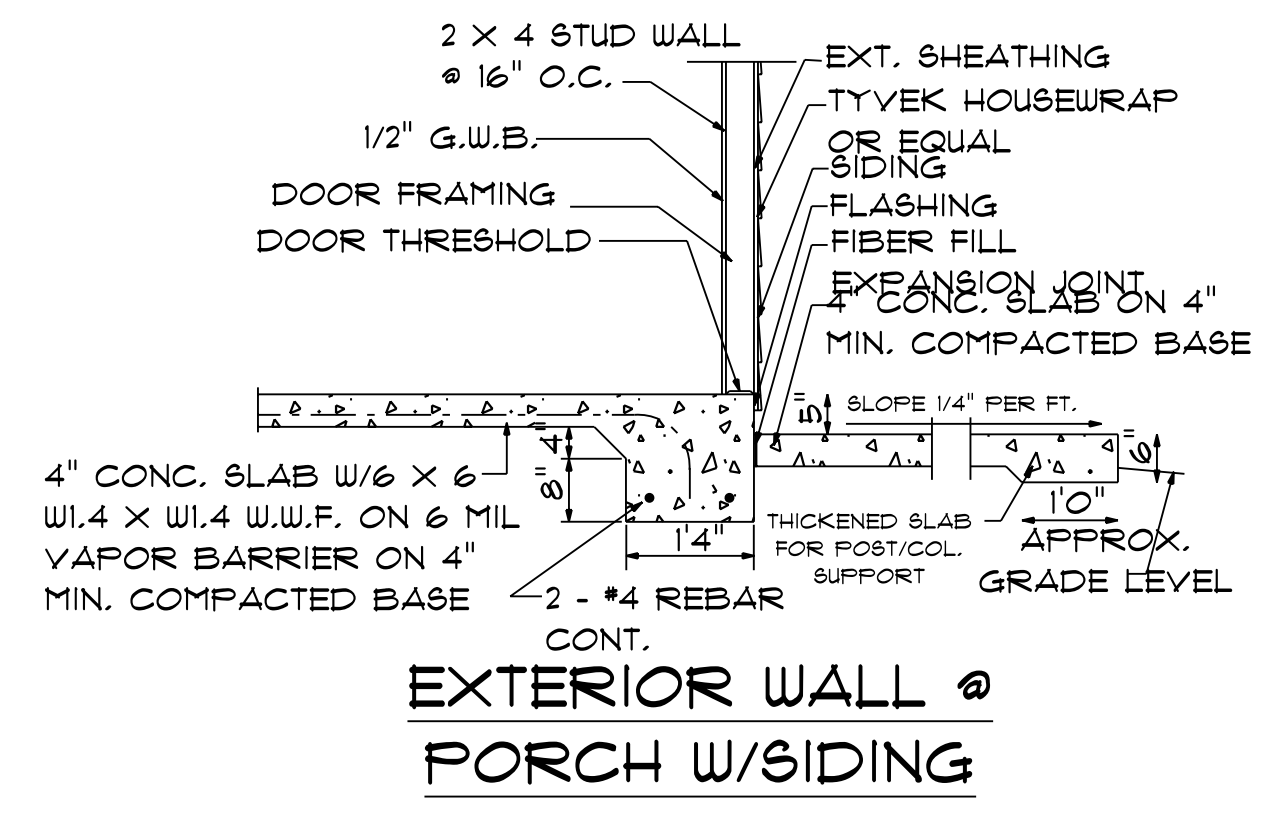
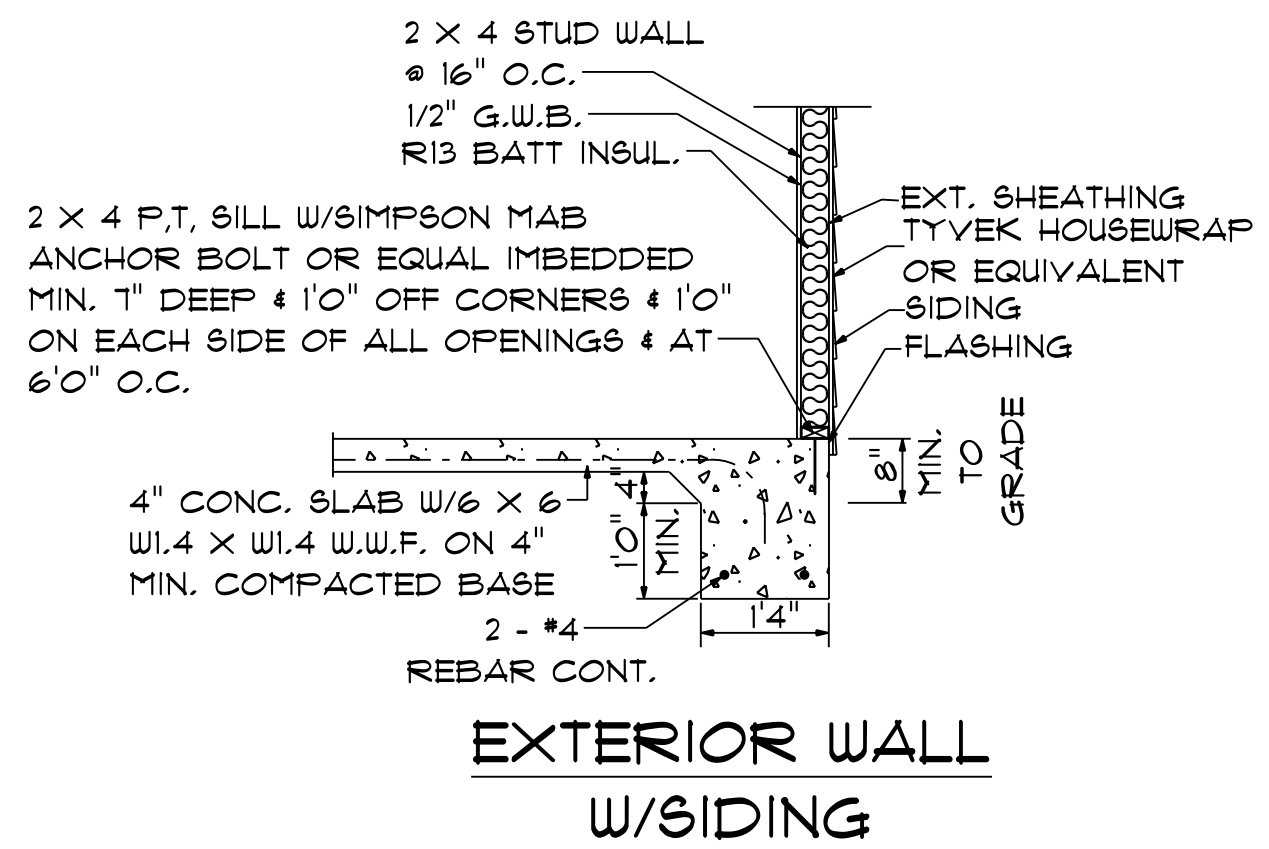
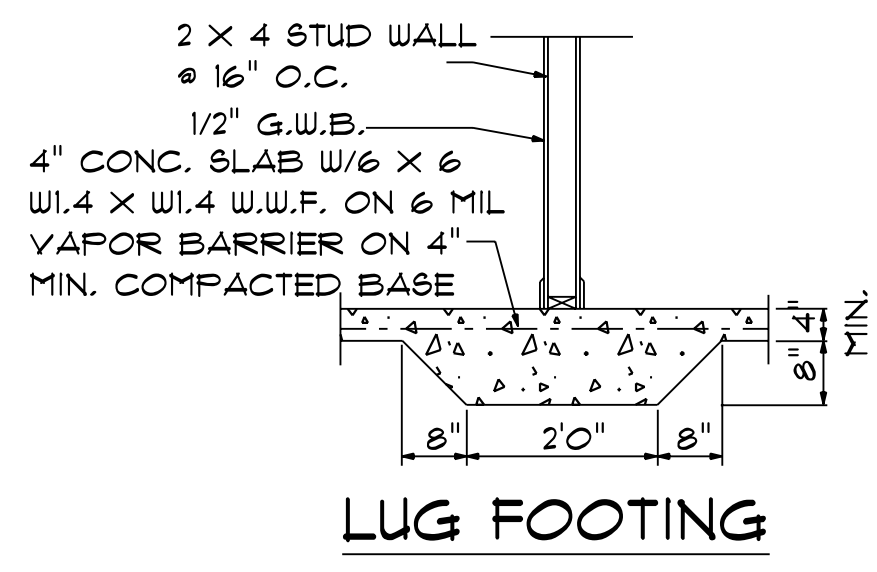
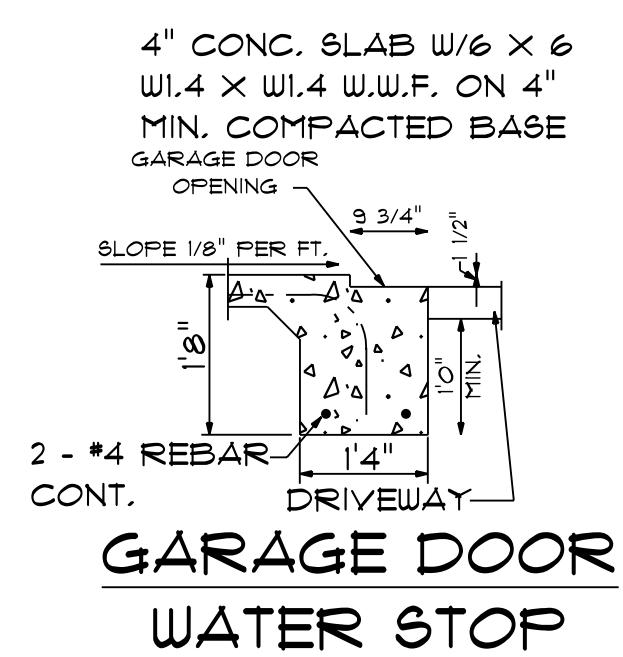


FOUNDATION PLAN
SCALE: 1/4" = 1'0"
170 S/F TOTAL AREA

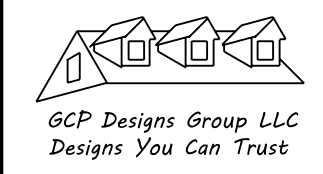
CONCRETE NOTES

- NOTES:
 1) MINIMUM SOIL BEARING CAPACITY: 2000 psf.
 2) CONCRETE COMPRESSIVE STRENGTH @ END OF 28 DAYS (MIN)
 FOUNDATIONS, FOOTING, & INTERIOR SLABS = 3000 psi.
 EXTERIOR SLAB (EXPOSED TO WEATHER) = 3500 psi.



GARAGE
HR - 170

- NOTES:
 1. ALL FINAL MATERIALS ARE TO BE CHOSEN BY HOME OWNER AND / OR BUILDER.
 2. FINAL NUMBER OF EXTERIOR STEPS WILL BE DETERMINED ON SITE BY GRADE.
 3. CONTRACTOR MUST MEET OR EXCEED ALL LOCAL BUILDING CODES (NC 2018).
 4. DESIGNER ASSUMES NO RESPONSIBILITY FOR CHANGES TO DRAWINGS BY OTHERS DURING CONSTRUCTION.
 5. ALL STRUCTURAL INFO SHOWN ON PLANS ARE FOR REFERENCE PURPOSES ONLY. CONTRACTOR SHALL HAVE STRUCTURAL ENG. REVIEW AND DESIGN ALL STRUCTURAL ELEMENTS.



DATE: 4-15-2021
 SUBDIVISION:
 BUILDER:

H & R CONSTRUCTION COMPANY

NOTE:
 BUILDING CONTRACTOR TO MEET LOCAL WIND LOADS PER LOCAL CODE AS IT PERTAINS TO LOCATION OF HOUSE
 100, 110, 120, 130, 140, 150, MPH