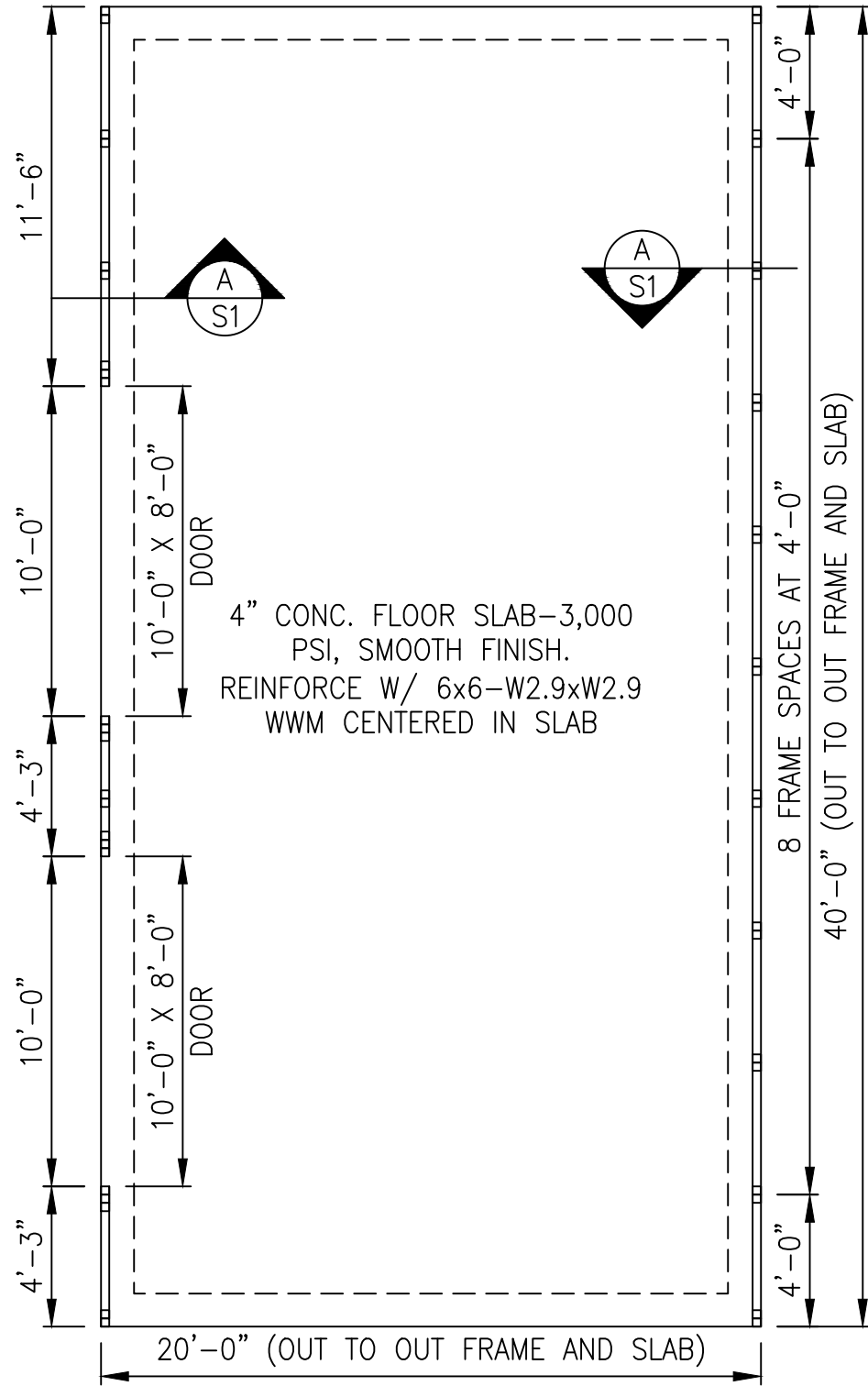


(A) SLAB TURN DOWN
NOT TO SCALE



Patriot Metal Buildings & Concrete
319 Betts Rd, Holly Springs, NC 27540
20'x40'x10'

SHEET NUMBER
S1

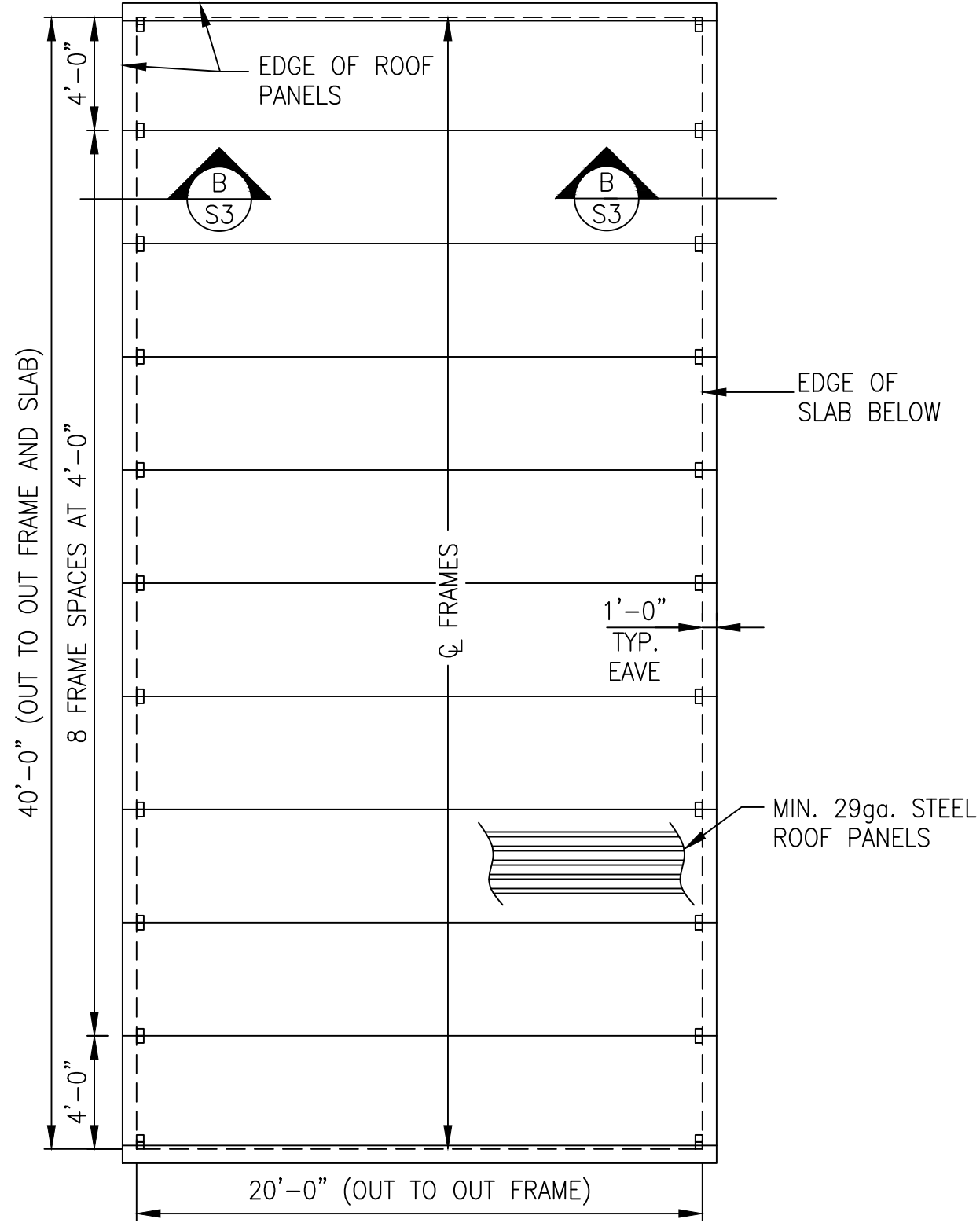
DATE	03/26/2021	DRAWN BY	JES	CHECKED BY	JES
REV. PROJECT NO.		MADE BY		CHECKED BY	
REV. PROJECT NO.		MADE BY		CHECKED BY	
REV. PROJECT NO.		MADE BY		CHECKED BY	
REV. PROJECT NO.		MADE BY		CHECKED BY	

ORIGINAL PLAN
2101-214

REVISIONS

JSCONSULTING & DESIGN
11703 DURANT RD
RALEIGH, NC 27614
P (919) 675-1680
F (919) 324-3681

CERTIFICATE NUMBER: P-1513



FRAMING PLAN

$\frac{3}{16}'' = 1'-0''$



Patriot Metal Buildings & Concrete
 319 Betts Rd, Holly Springs, NC 27540
 20'x40'x10'

SHEET NUMBER

S2

ORIGINAL PLAN
 2101-214

REVISIONS

DATE: 03/26/2021

DRAWN BY: JES

CHECKED BY: JES

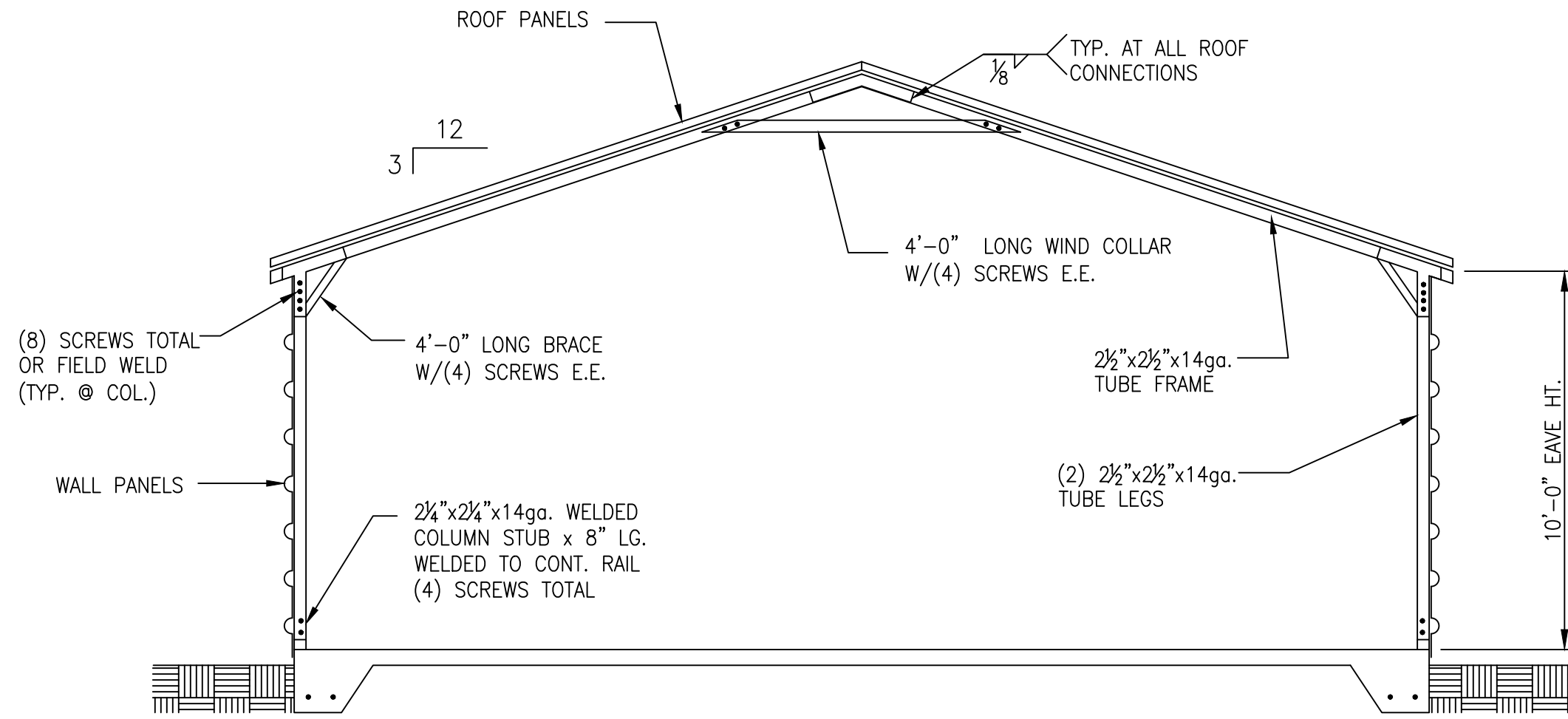
MADE BY: JES

DESCRIPTION:

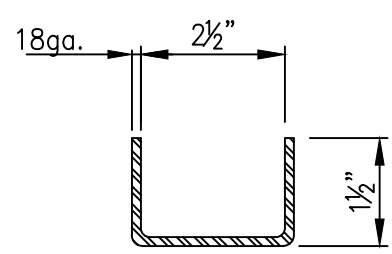
DATE:

JSCONSULTING & DESIGN
 CONSULTING ENGINEERING
 11703 DURANT RD
 RALEIGH, NC 27614
 P (919) 675-1680
 F (919) 324-3681

CERTIFICATE NUMBER: P-1513



TYPICAL CROSS SECTION C-C
NOT TO SCALE

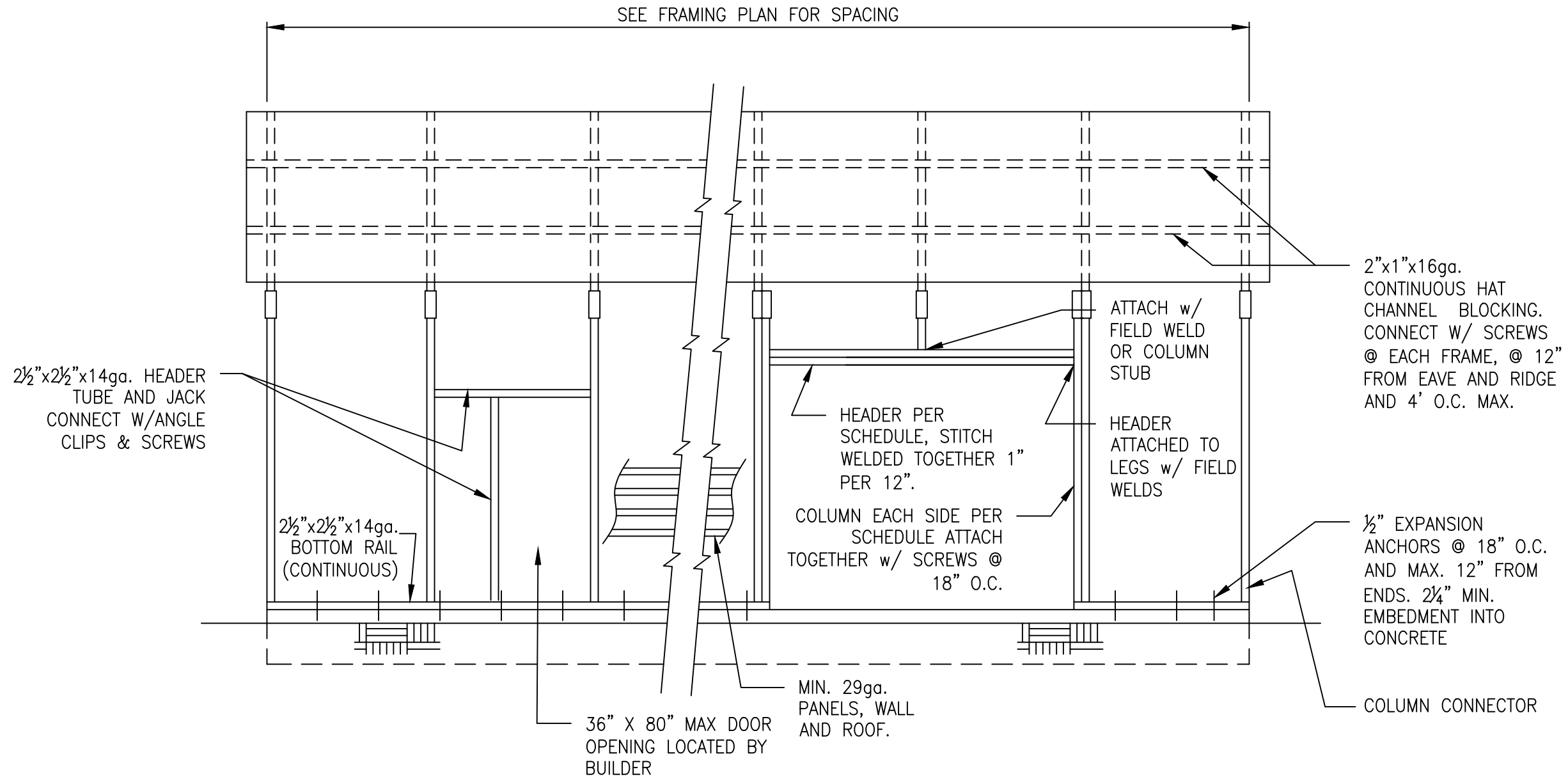


TYP. WIND COLLAR/BRACE
NOT TO SCALE

GABLE END WALL FRAMING
 GABLE END WALLS SHALL BE FRAMED @ 4' O.C. USING 2-1/2" 14ga SQUARE TUBES TO THE BOTTOM RAIL AND RAFTERS W/ L-CLIPS AND (2) SCREWS IN EACH LEG OF THE CLIP. ANY STUDS OVER 13'-0" IN LENGTH SHALL BE (2) 2-1/2" 14ga AND ATTACHED W/ (2) L-CLIPS AND (2) SCREWS IN EACH LEG OF THE CLIP.



JSCONSULTING & DESIGN 11703 DURANT RD RALEIGH, NC 27614 P (919) 675-1680 F (919) 324-3681	
ORIGINAL PLAN 2101-214 REVISIONS	CHECKED BY: JES DRAWN BY: JES DATE: 03/26/2021 MADE BY: JES CHECKED BY: JES DATE:
Patriot Metal Buildings & Concrete 319 Betts Rd, Holly Springs, NC 27540 20'x40'x10'	
SHEET NUMBER <h1 style="font-size: 2em;">S3</h1>	
CERTIFICATE NUMBER: P-1513	



SIDE ELEVATION
NOT TO SCALE

DOOR HEADER SCHEDULE
10'-0" X 8'-0": (3) 2 1/2"x2 1/2"x14ga
(3) 2 1/2"x2 1/2"x14ga COLUMNS E.E.

NOTES:

1. WALL PURLINS NOT SHOWN FOR CLARITY. 2"x1"x16ga. CONTINUOUS HAT CHANNEL BLOCKING. CONNECT W/ SCREWS @ EACH FRAME, @ EAVE AND 4' O.C. MAX. ALONG WALLS.
2. ALL PURLINS ATTACHED w/ (2) SCREWS PER FRAME. TYP.
3. ATTACH PANELS w/ (1) SCREWS PER FLAT PER FRAME & (3) SIDE LAP SCREWS BTWN FRAMES.
4. ALL ANGLE CLIPS TO HAVE (2) SCREWS INSTALLED IN EACH LEG OF ANGLE. TYP.

DOOR OPENING NOTE:

FOR DOORS PLACED IN GABLE END WALLS ONLY. EXACT LOCATION TO BE DETERMINED BY BUILDER. MINIMUM HEADER SIZE (2) 2 1/2"x2 1/2"x14ga SQUARE TUBES ATTACHED TOGETHER W/ CLIPS AND SCREWS @ 1'-0" O.C. MINIMUM (1) 2 1/2"x2 1/2"x14ga KING STUD EACH SIDE FOR DOORS LESS THAN 10' WIDE AND (2) 2 1/2"x2 1/2"x14ga KING STUD EACH SIDE FOR DOORS 12' AND WIDER. ATTACH USING ANGLE CLIPS AND SCREWS



Patriot Metal Buildings & Concrete
319 Betts Rd, Holly Springs, NC 27540
20'x40'x10'

SHEET NUMBER

S4

JSCONSULTING & DESIGN
11703 DURANT RD
RALEIGH, NC 27614
P (919) 675-1680
F (919) 324-3681
CERTIFICATE NUMBER: P-1513

DATE	03/26/2021	CHECKED BY	JES
DATE		DRAWN BY	JES
DATE		MADE BY	
DATE		CHECKED BY	
DATE		REVIEW PROJECT NO.	

