

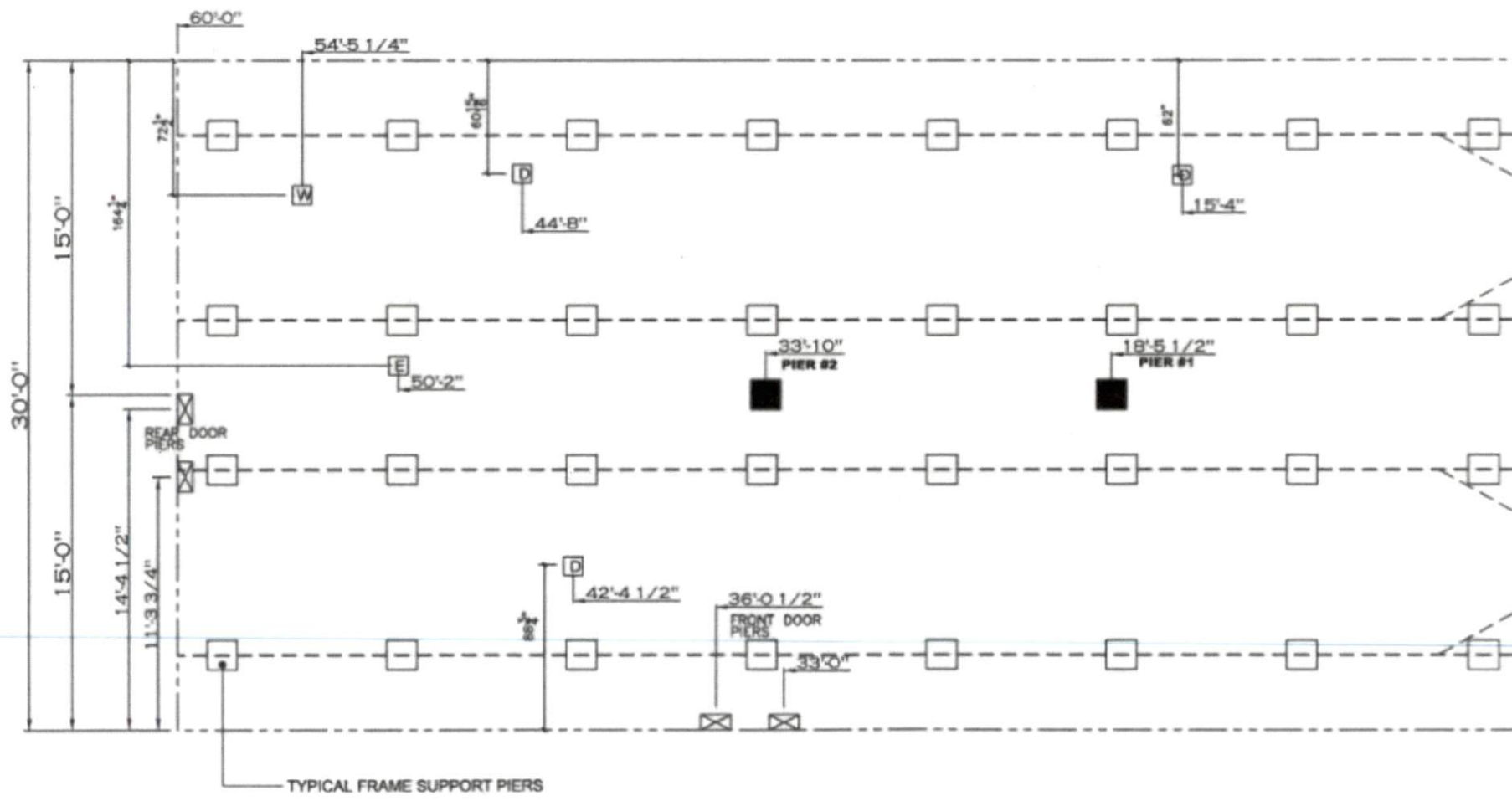
SHOWN ARE TO BE USED TO SIZE THE FOOTINGS BELOW
 (EWALL FOR COLUMN SUPPORT PIERS. REFER TO TABLE
 THE INSTALLATION MANUAL FOR LOAD ON FRAME PIER
 OR HOMES THAT DO NOT REQUIRE PERIMETER BLOCKING.
 RULES 7b AND 7c IN THE INSTALLATION MANUAL FOR LOAD
 PER FOOTINGS THAT REQUIRE PERIMETER BLOCKING.
 RULES 10 AND 10a TO DETERMINE FOOTING SIZE FOR ALL

TABLE 9 FOR PIER CONFIGURATION AND MAXIMUM
 HEIGHTS. CROSS REFERENCE THE PIER HEIGHT WITH THE
 ALLOWABLE FLOOR HEIGHT LISTED IN THE FRAME TIEDOWN
 TABLE 18, 19, AND 20).

H SHOWN IS FOR STANDARD PRODUCT ONLY. CONTACT
 MANUFACTURER FOR SPECIFICATIONS OF OPTIONS ORDERED.
 ALL LOCATIONS IDENTIFIED ARE APPROXIMATE.
 16" SPACING FOR FRAME SUPPORT PIERS FOR 8" I-BSAMS
 12" & 12" I-BEAMS ARE 10 FEET.

PIER LEGEND	
□	SUPPORT PIER (W/OUT OPENING)
■	SUPPORT AT BEAM COLUMN
▣	SUPPORT UNDER THE WALL
▤	PERIMETER BLOCKING (W/OUT)
□	PERIMETER (W/OUT)
■	PERIMETER (W/OUT)
■	TIEDOWN SUPPORT (20" PER 10" N.B. BY OTHER MANUFACTURER)

SERVICE DROP LEGEND	
E	ELECTRICAL DROP
W	WATER NUT
D	DRAIN PLUMBING DROP
G	GAS NUT



LOAD PIER LOAD DTH	TOTAL OPENING (FT) REQUIRED PER LOAD (LB)					
	3	4	5	6	8	10
	1244	1413	1581	1750	2088	2425

20 psf Roof Live Load		
Column Pier #	Distance from 1st/2nd	Pier Load (lbs)
1	18.478	3659
2	33.831	3899

30 psf Roof Live Load		
Column Pier #	Distance from 1st/2nd	Pier Load (lbs)
1	18.478	5213
2	33.831	5212

40 psf Roof Live Load		
Column Pier #	Distance from 1st/2nd	Pier Load (lbs)
1	18.478	7066
2	33.831	7066

10 LB ROOF LOAD REFER TO TABLES 7b & 7c IN THE INSTALLATION MANUAL.

1,800 SQ.FT. (STD
N/A SQ.FT. (W/OPT. PORCH/RE)

Inspire 180		Date: 12.14.19	Scale: N.T.S.
Product Designer: Alex Whitty		32" x 60"	
PIAER LOADS 99 1/2"			