

### BUILDING SPECIFICATIONS

The manufacturer is not responsible for the concrete foundation design. The structure under this contract has been designed and detailed for the loads and conditions stipulated in the contract and shown on these drawings. Any alterations to the structural system or removal of any component parts, or the addition of other construction materials or loads must be done under the advice and direction of a registered architect, civil or structural engineer. The manufacturer will assume no responsibility for any loads not indicated.

This manufactured building is designed with the manufacturer's standard design practices which are based on pertinent procedures and recommendations of the following organizations and codes :

- American Institute of Steel Construction "Specification for the design fabrication and erection of structural steel for buildings."
- American Iron and Steel Institute "Specification for the design of cold formed steel structural members" 2007 edition.

-Metal Building Manufacturers Association "Specification for the design fabrication and erection of the structural system" most current edition.

Material properties of steel plate and sheet used in fabrication of primary rigid frames and all primary structural framing members (other than cold-formed sections) conform to ASTM A-529 or A-572 all with a minimum yield point of 55 KSI.

Material properties of cold formed light gage steel members conform to the requirements of ASTM A-653, with a minimum yield point of 55 KSI

High strength bolts and their installation shall conform to ASTM specification A-325 and are designed as bearing type connections with threads included in the shear plane. All high strength bolts are to be installed to the "Snug-Tight" condition as defined by the RCSC Specification for Structural Joints Using A325 or A490 Bolts, Latest Edition, section 8.1, unless noted otherwise. Bolts in standard holes do not require washers per section 6.

Shop and field inspections and associated fees are the responsibility of the contractor, unless stipulated otherwise.

### CONTRACTOR RESPONSIBILITIES

The contractor must secure all required approvals and permits from the appropriate agency as required.

Approval of the manufacturer's drawings and calculations indicate that the manufacturer has correctly interpreted and applied the requirements of the contract drawings and specifications. (AISC 303-10 Code of Standard Practice)

Where discrepancies exist between the manufacturer's structural steel plans and the plans for other trades, the structural steel plans shall govern. (Section 3.3 AISC 303-10 Code of Standard Practice)

Design considerations of any materials in the structure which are not furnished by the manufacturer, are the responsibility of the contractor and engineers other than the manufacturer's engineering, unless specifically indicated.

The contractor is responsible for all erection of steel and associated work in compliance with the manufacturer's "For Construction" drawings.

Temporary supports, such as guys, braces, flashwork or other elements required for the erection will be determined and furnished and installed by the erector. (Section 7 AISC 303-10 Code of Standard Practice)

It is the contractor's responsibility to apply or observe all pertinent safety rules and regulations, as per OSHA standards as applicable.

The Contractor is responsible for the verification of all shipments received. Any "external" damage or shortages must be noted on all copies of the bill of lading and one copy is to be retained for your records. Failure to do so will make it impossible for the factory to honor any claim. NO EXCEPTIONS!!!

# LINCOLN STEEL BUILDINGS LLC

### DESIGN LOADING

This structure is designed utilizing the loads indicated and applied by the :  
NCBC 2018 (IBC 2015)

It is the contractor's responsibility to confirm that these loads comply with the requirements of the local building department.

Specific loads : (See structural calculations and foundation reactions.)

- 20.00 PSF Live Load
- No LL Reduction Allowed
- 10 PSF Ground Snow Load
- 1.20 Thermal Factor (Ct)
- 1 Snow Exposure Factor (Ce)
- 120 MPH Wind Load Exposure C (If applicable)
- 2.000 PSF Dead Load (Metal Bldg. Weight - Purlins, Panels, Etc.)
- 1 PSF Collateral Load (Ceilings, Sprinklers, Etc.)

II - Normal Risk Category I<sub>s</sub> 1.0000 I<sub>e</sub> 1.00

### DRAWING INDEX

- CS-1 Drawings Cover Sheet
- CS-2W Fastener Schedule
- E1 Anchor Bolt Plan
- E2 Anchor Bolt Details & Reactions
- E3 Rigid Frame Elevation
- E4 Sidewall Framing
- E5 Endwall Framing
- E6 Roof Framing Plan
- E7 Sidewall Sheeting
- E8 Endwall Sheeting
- E9 Detail Drawings
- E10 Detail Drawings
- E11 Trim Drawings

### SEISMIC DATA :

- 1) Mapped Spectral Acceleration for Short Period, S<sub>s</sub> 0.21
- 2) Site Coefficient, F<sub>a</sub> 1.6000
- 3) Seismic Design Category = C
- 4) Seismic Coefficient = 0.22
- 5) Site Class = D
- 6) Basic Structural System and Seismic Resisting System  
Ordinary Moment Frame of Steel
- 7) Frames: R = 3.0000
- 8) Analysis Procedure = Equivalent Lateral Force

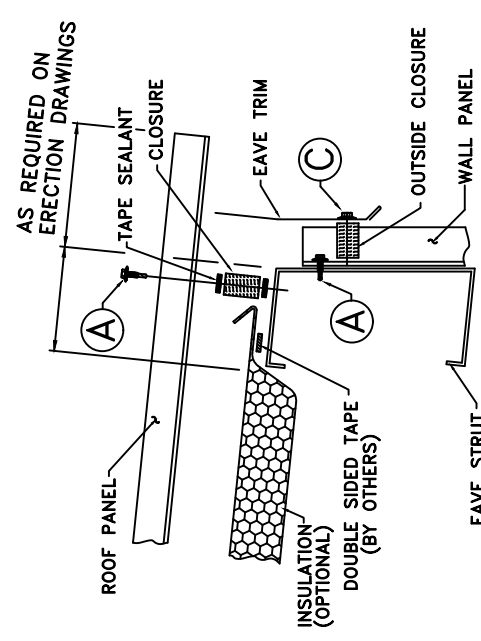
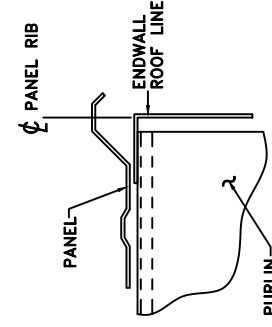
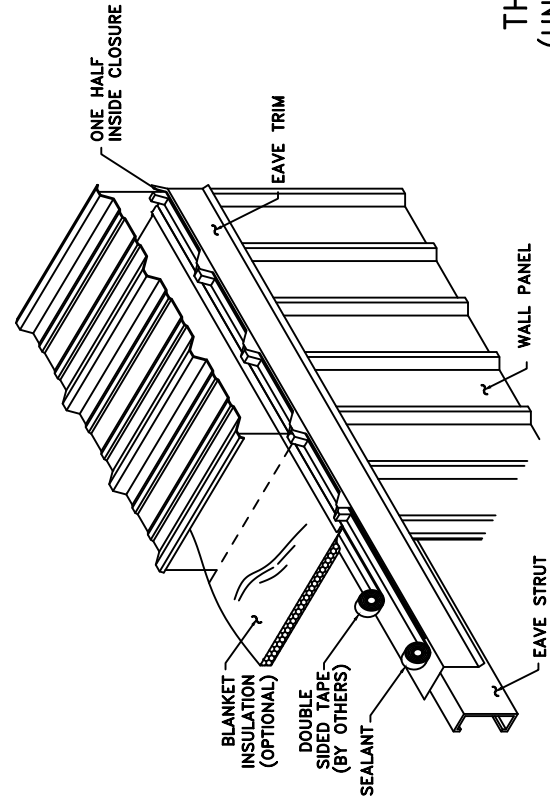
### These Drawings are for :

- Construction  Approval \*
- Permit  Anchor Bolts & Reactions

\* Approval orders must be released for fabrication within thirty (30) calendar days after the submittal drawings are issued or they will be subject to any current price increases. Special attention should be given in approving dimensions and/or details. Please verify requested dimensions by indicating 'OK'.

FBC product approval numbers: FL19604 & FL19606

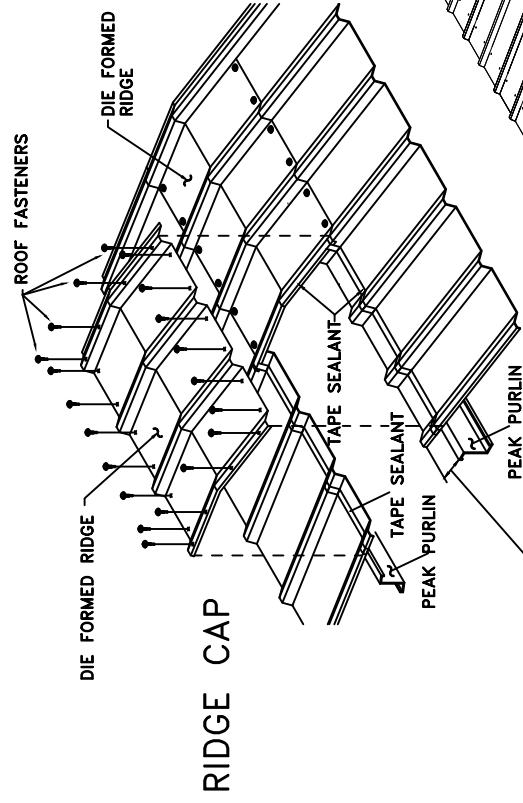
DSN: RA	DWN: KR	REV:	<b>DRAWINGS COVER SHEET</b>		
DET: AK	CHK: DP	REVISIONS			
<p style="text-align: center;"><b>Engineering Seal</b></p> <p>This certification covers parts manufactured and delivered by the manufacturer only, and excludes parts such as doors, windows, foundation design and erection of the building. The buyer is responsible for ensuring all specified loads are in compliance with regulatory authorities.</p> <p style="text-align: center;"><b>PROFESSIONAL ENGINEER</b></p>			NO.	DATE	CUSTOMER :
			<b>AMANDA &amp; SETH HENDERSON</b>		
			<b>854 DOVE ROAD, CAMERON, NC 28326</b>		
			<b>CAMERON COUNTY</b>		
			<b>LINCOLN STEEL BUILDINGS LLC</b>		
			<b>6295 W SAMPLE RD #670611</b>		
			<b>CORAL SPRINGS, FL 33067</b>		
			SCALE:	DATE:	JOB NO:
NOT TO SCALE	11/21/19	005475	CS-1		



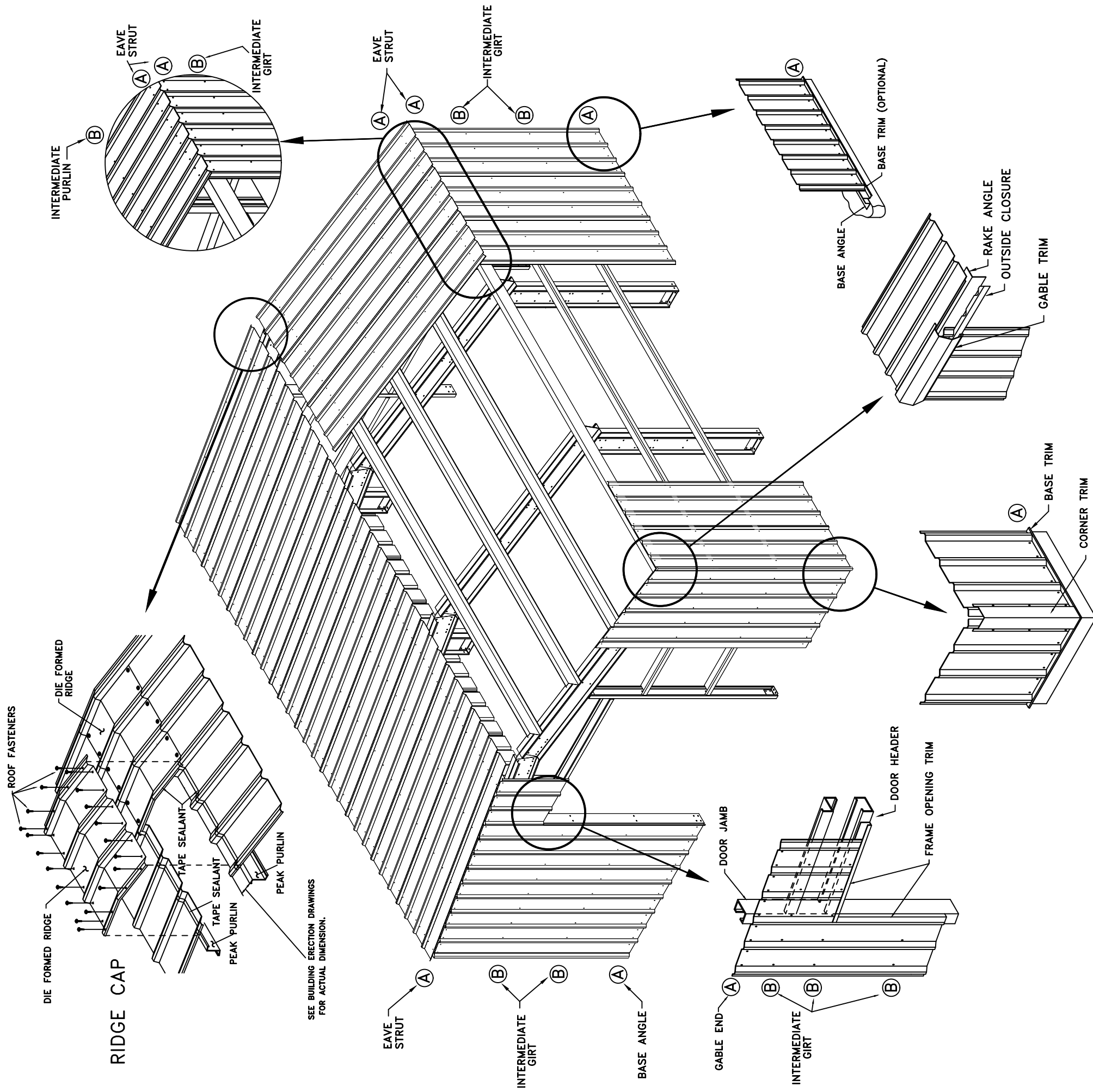
INSTALLATION OF THE FIRST ROOF PANEL (UNLESS NOTED ON DRAWINGS)

SECTION AT EAVE

# FASTENER SCHEDULE



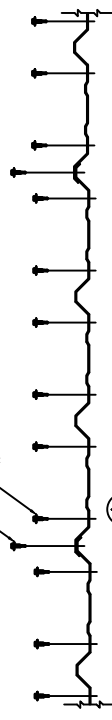
SEE BUILDING ERECTION DRAWINGS FOR ACTUAL DIMENSION.



DETAIL: A

#14 SELF-TAPPING ROOF FASTENERS 15" O.C. AT SIDE LAP

#12 SELF-DRILL ROOF FASTENERS 6" O.C.

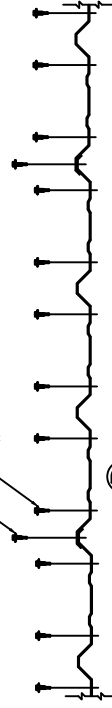


(A) FASTENER PATTERN AT BASE ANGLE, EAVE STRUT, RIDGE CAP & INTERMEDIATE PANEL LAPS

DETAIL: B

#14 SELF-TAPPING ROOF FASTENERS 15" O.C. AT SIDE LAP

#12 SELF-DRILL ROOF FASTENERS 6" O.C.



(B) FASTENER PATTERN AT INTERMEDIATE PURLIN OR GIRT OR LINER PANEL

DETAIL: C

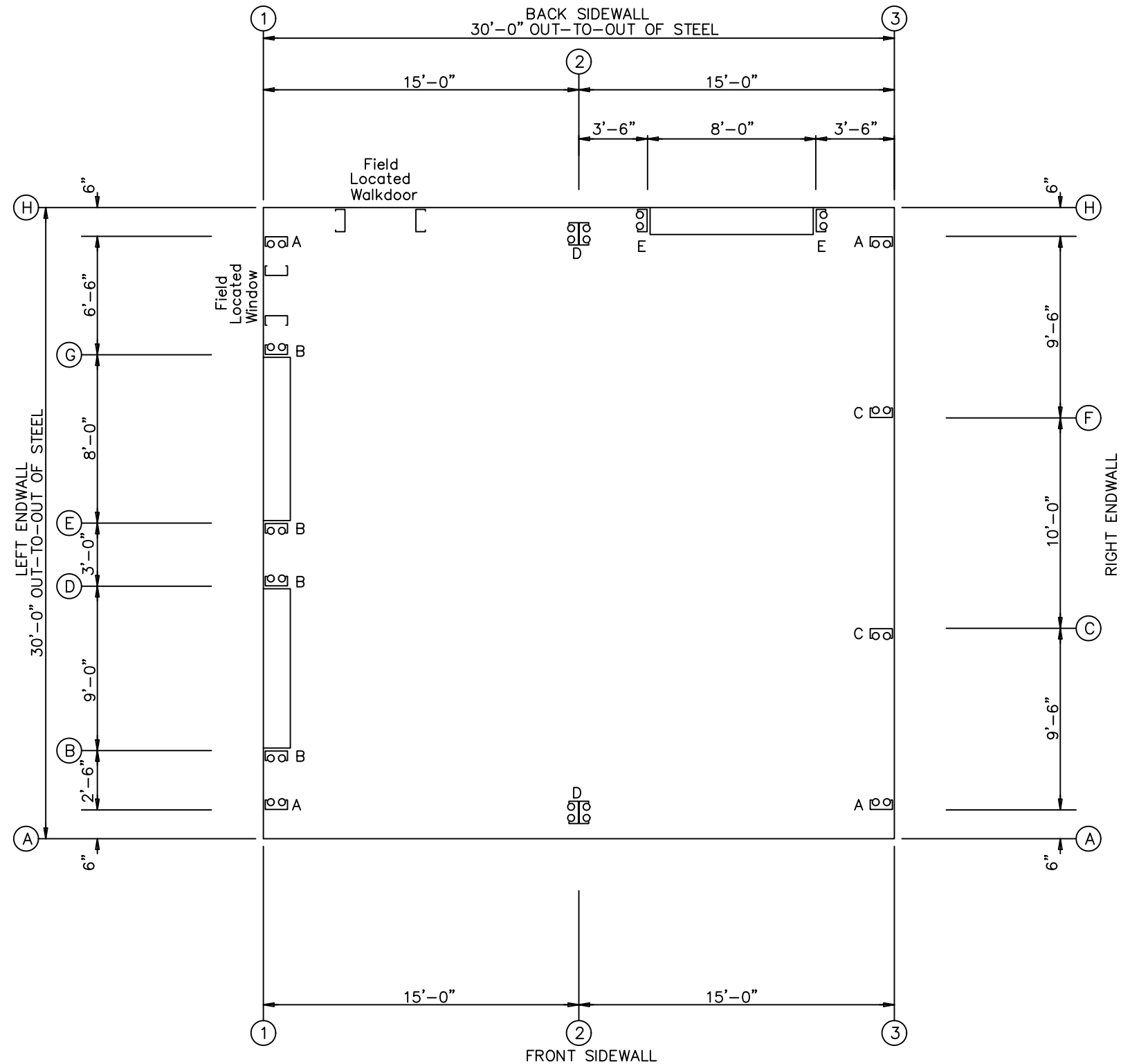
© STITCH FASTENER #14x7/8"

12" ON CENTER

DATE: 11/21/19

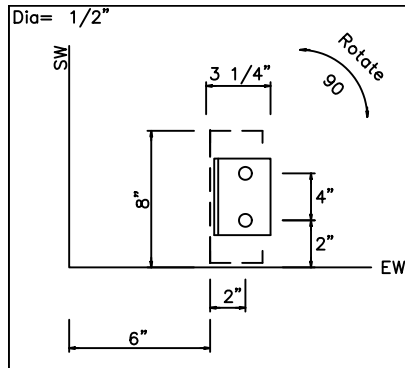
DWG NO:

CS-2W

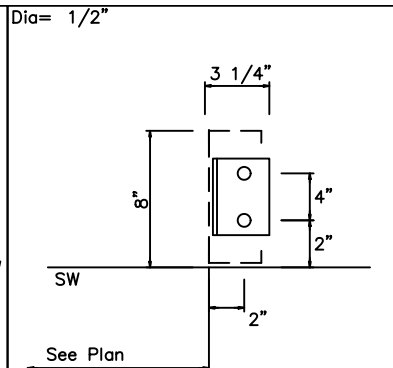


ANCHOR BOLT PLAN  
 NOTE: All Base Plates @ 100'-0" (U.N.)

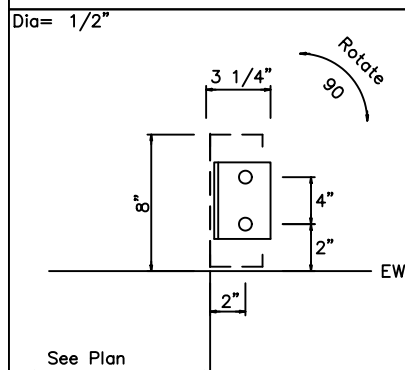
LINCOLN STEEL BUILDINGS LLC		Customer: AMANDA & SETH HENDERSON	
CORAL SPRINGS, FL 33067		CAMERON, NC 28326	
Drafter: KR	Date: 11/21/19	Designer: RA	Date: 11/21/19
Detailer: AK	Date: 11/21/19	Sales ID: 21-0053	Factory ID: 005475
Checker: DP	Date: 11/21/19		
ANCHOR BOLT PLAN			Sht E1 of 11



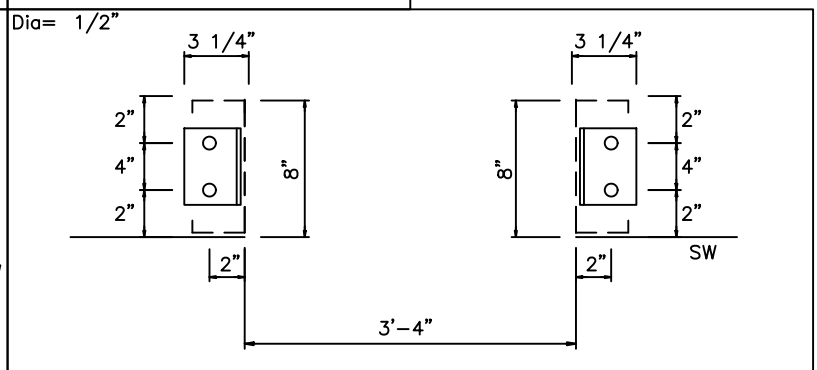
DETAIL A



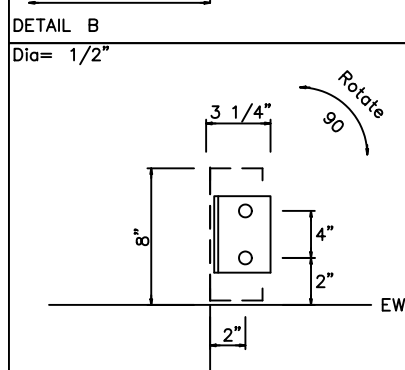
DETAIL E



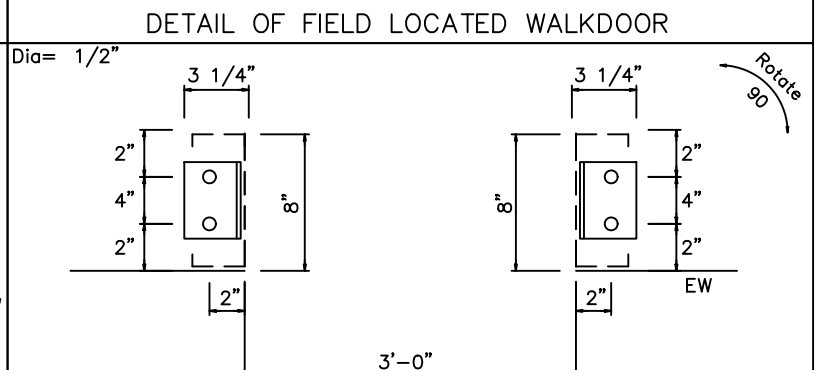
DETAIL B



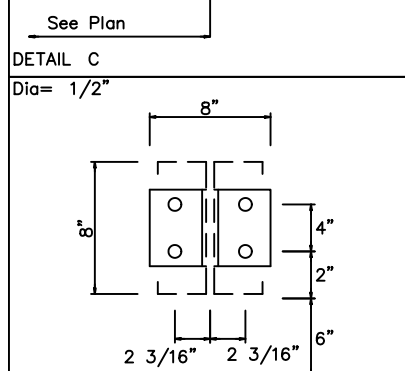
DETAIL OF FIELD LOCATED WALKDOOR



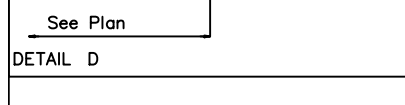
DETAIL C



DETAIL OF FIELD LOCATED WINDOW



DETAIL D



**LOAD CASES**

WIND\_L1 = WIND LOAD FROM LEFT CASE 1  
 WIND\_R1 = WIND LOAD FROM RIGHT CASE 1  
 WIND\_LN1 = LONGITUDINAL WIND CASE 1  
 SEISMIC\_L = SEISMIC LOAD FROM LEFT  
 SEISMIC\_R = SEISMIC LOAD FROM RIGHT  
 SEISMICLN = LONGITUDINAL SEISMIC LOAD  
 F1UNB\_SL\_L = FRAME 1 UNBALANCED SNOW LEFT SIDE  
 F1UNB\_SL\_R = FRAME 1 UNBALANCED SNOW RIGHT SIDE  
 F1CRANE\_1 = FRAME 1 CRANE LOAD IN POSITION 1  
 DRIFT = SNOW DRIFT LOAD  
 SLIDE = SLIDE SNOW LOAD

**NOTES FOR REACTIONS**

Building reactions are based on the following building data:

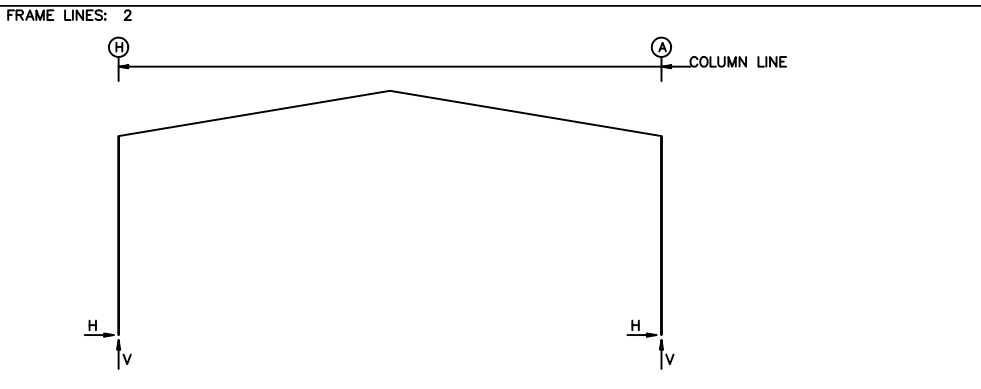
- Width (ft) = 30
- Length (ft) = 30
- Eave Height (ft) = 11 / 11
- Roof Slope = 2.0:12 / 2.0:12
- Dead Load (psf) = 2.000
- Collateral Load (psf) = 1
- Roof Live Load (psf) = 20.00
- Roof Snow Load (psf) = 8.4
- Wind Speed (mph) = 120
- Wind Code = NBC 2018 (IBC 2015)
- Wind Exposure = C
- Closed/Open = Closed
- Importance - Wind = 1.00
- Importance - Seismic = 1.00
- Seismic Design Category = C
- Seismic Coeff (Fa\*Ss) = 0.334

Load Combinations

- DL+CL+(LL or SL)
- DL+CL+0.6WL
- DL+CL+0.75(0.6)WL+0.75(LL or SL)
- DL+0.75(0.7SEIS)+0.75(LL or SL)
- 0.6DL+0.6WL
- 0.6DL+0.7SEIS

**GENERAL NOTES**

- FOUNDATION DESIGN AND CONSTRUCTION ARE NOT THE RESPONSIBILITY OF THE BUILDING MANUFACTURER.
- THE BUILDING REACTION DATA, REPORTS THE LOADS WHICH THIS BUILDING PLACES ON THE FOUNDATION.
- THE SPECIFIED ANCHOR BOLT DIAMETER ASSUMES ASTM A307, ANCHOR BOLT MATERIAL OF EQUAL DIAMETER MEETING OR EXCEEDING THE STRENGTH REQUIREMENTS SET FORTH ON THESE DRAWINGS MAY BE UTILIZED AT THE DISCRETION OF THE FOUNDATION DESIGN ENGINEER.
- ANCHOR BOLTS TO BE SUPPLIED BY OTHERS, ANCHOR BOLT EMBEDMENT LENGTH SHALL BE DETERMINED BY THE FOUNDATION ENGINEER.
- ANCHOR BOLT PROJECTION ABOVE CONCRETE FINISHED SURFACE TO BE 3" UNLESS OTHERWISE NOTED BY FOUNDATION DESIGNER.
- ANCHOR BOLTS SHALL BE ACCURATELY SET TO A TOLERANCE OF +/- 1/8" IN ELEVATION AND LOCATION.
- THE ANCHOR BOLT LOCATIONS PROVIDED BY THE METAL BUILDING MANUFACTURER MAY NOT SATISFY ANCHOR BOLT CONCRETE EDGE DISTANCE REQUIREMENTS DEPENDING ON THE DETAILS OF FOUNDATION DESIGN. IT IS THE RESPONSIBILITY OF THE FOUNDATION DESIGN ENGINEER TO MAKE SURE THAT SUFFICIENT CONCRETE EDGE DISTANCE IS PROVIDED IN THE FOUNDATION DESIGN.
- MINOR FIELD WORK OF STRUCTURAL, SECONDARY AND PANEL/TRIM ITEMS MAY BE NECESSARY TO ENSURE PROPER FIT. SUCH WORK IS CONSIDERED A NORMAL PART OF METAL BUILDING ERECTION. WE WILL NOT HONOR BACKCHARGES FOR MINOR FIELD WORK.
- THIS DRAWING IS NOT TO SCALE.



**RIGID FRAME: ANCHOR BOLTS & BASE PLATES**

Frame Line	Col Line	Anc. Bolt Qty	Anc. Bolt Dia	Base Plate Width (in)	Base Plate Length (in)	Base Plate Thick	Grout (in)
2	H	4	0.500	8.000	5.000	0.250	0.0
2	A	4	0.500	8.000	5.000	0.250	0.0

**RIGID FRAME: BASIC COLUMN REACTIONS (k)**

Frame Line	Column Line	Dead		Collateral		Live		Snow		Wind_Left1		Wind_Right1	
		Horz	Vert	Horz	Vert	Horz	Vert	Horz	Vert	Horz	Vert	Horz	Vert
2	H	0.2	0.8	0.1	0.3	1.8	5.6	0.8	2.4	-3.3	-6.7	0.5	-4.2
2	A	-0.2	0.8	-0.1	0.3	-1.8	5.6	-0.8	2.4	-0.5	-4.2	3.3	-6.7

**ENDWALL COLUMN: BASIC COLUMN REACTIONS (k)**

Frame Line	Col Line	Dead Vert	Collat Vert	Live Vert	Snow Vert	Wind Left1		Wind Right1		Wind Left2		Wind Right2		Wind Press		Wind Suct		Wind Long1		Wind Long2	
						Horz	Vert	Horz	Vert	Horz	Vert	Horz	Vert	Horz	Vert	Horz	Vert	Horz	Vert	Horz	Vert
1	H	0.1	0.0	0.4	0.2	-0.5	-0.3	-0.3	-0.3	-0.1	-0.4	-0.6	-0.9	1.0	-2.1	-1.2	-0.6	-0.6	-0.6	-0.4	
1	G	0.2	0.1	1.4	0.6	-2.1	-1.3	-1.4	-0.6	-0.9	-0.9	-0.9	1.0	-2.1	-1.2	-0.6	-0.6	-0.6	-0.4		
1	E	0.1	0.0	0.4	0.2	-0.5	-0.3	-0.3	-0.3	-0.1	-0.4	-0.6	-0.9	1.0	-2.1	-1.2	-0.6	-0.6	-0.4		
1	D	0.2	0.1	1.2	0.5	-1.1	-1.8	-0.5	-1.2	-0.8	-0.9	-0.9	1.0	-2.1	-1.2	-0.6	-0.6	-0.6	-0.4		
1	B	0.2	0.1	1.2	0.5	-1.2	-1.9	-0.6	-1.3	-0.7	-0.8	-0.9	1.0	-2.1	-1.2	-0.6	-0.6	-0.6	-0.4		
1	A	0.0	0.0	-0.1	0.0	0.1	0.2	0.2	0.2	0.2	0.2	0.2	0.2	0.1	0.2	0.1	0.2	0.1	0.2		

**ENDWALL COLUMN: ANCHOR BOLTS & BASE PLATES**

Frame Line	Col Line	Anc. Bolt Qty	Anc. Bolt Dia	Base Plate Width (in)	Base Plate Length (in)	Base Plate Thick	Grout (in)
3	A	2	0.500	3.250	6.000	0.250	0.0
3	G	2	0.500	3.250	6.000	0.250	0.0
3	E	2	0.500	3.250	6.000	0.250	0.0
3	D	2	0.500	3.250	6.000	0.250	0.0
3	B	2	0.500	3.250	6.000	0.250	0.0
3	A	2	0.500	3.250	6.000	0.250	0.0
3	C	2	0.500	3.250	6.000	0.250	0.0
3	F	2	0.500	3.250	6.000	0.250	0.0
3	H	2	0.500	3.250	6.000	0.250	0.0

**BUILDING BRACING REACTIONS**

Loc	Wall Line	Col Line	± Reactions (k)				Panel Shear (lb/ft)	
			Wind Horz	Wind Vert	Seismic Horz	Seismic Vert	Wind	Seis
L_EW	1						92	45
F_SW	A						37	6
R_EW	3						31	15
B_SW	H						59	10

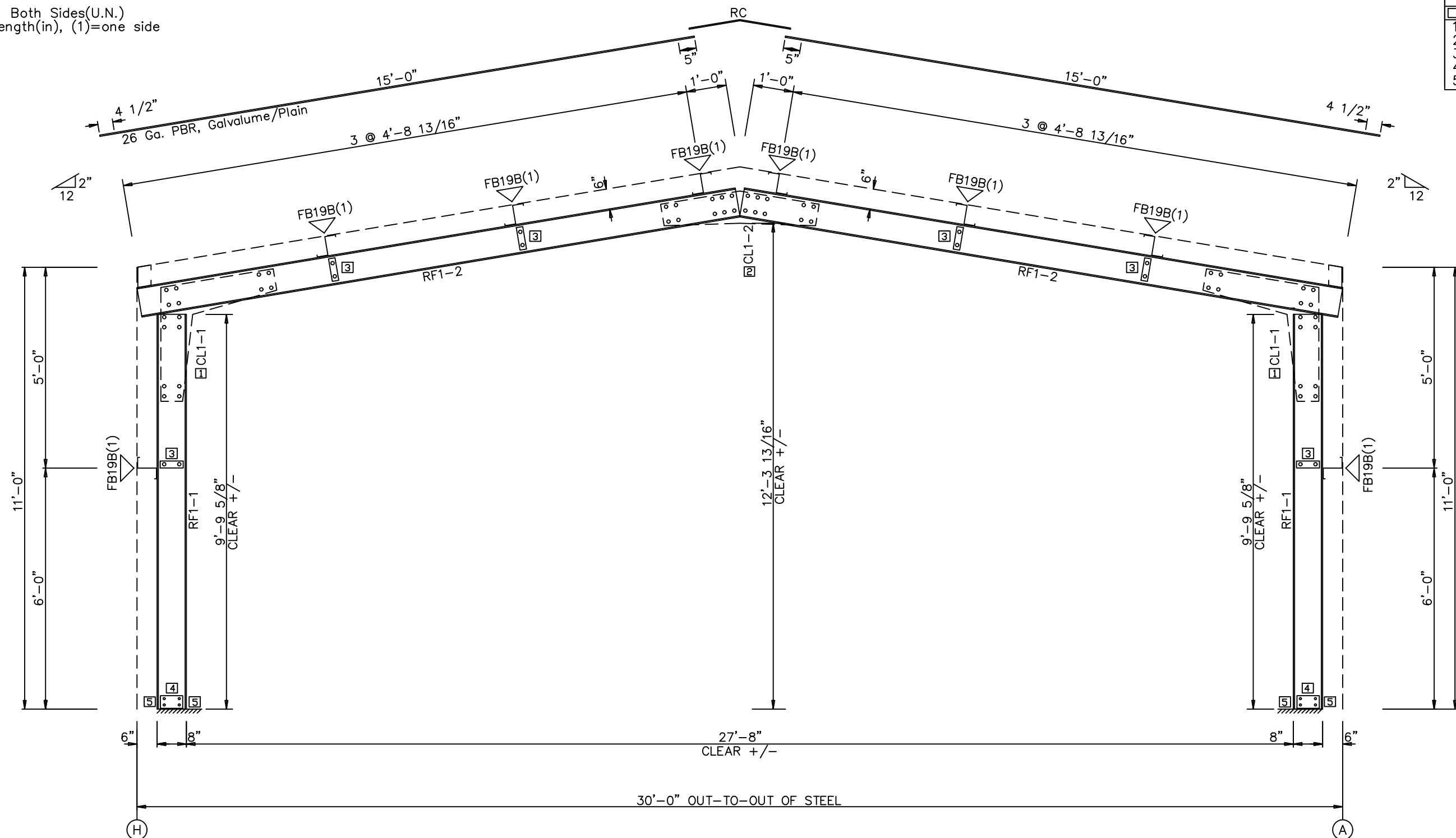
LINCOLN STEEL BUILDINGS LLC		Customer: AMANDA & SETH HENDERSON	
CORAL SPRINGS, FL 33067		CAMERON, NC 28326	
Drafter: KR	Date: 11/21/19	Designer: RA	Date: 11/21/19
Detailer: AK	Date: 11/21/19	Sales ID: 21-0053	Factory ID: 005475
Checker: DP	Date: 11/21/19	ANCHOR BOLT DETAILS & REACTIONS	
			Sht E2 of 11

SPlice BOLT TABLE						
Mark	Qty		Int	Type	Dia	Length
	Top	Bot				
CL1-1	8	8	0	A325	0.500	2.00
CL1-2	10	10	0	A325	0.500	2.00

MEMBER SIZE TABLE		
MARK	MEMBER	LENGTH
RF1-1	8x55D12	9'-10 13/16"
RF1-2	8x75D12	15'-1 1/8"

CONNECTION PLATES	
ID	Mark/Part
1	CL1-1
2	CL1-2
3	CLC107
4	CLC106
5	CLC008

▽ FLANGE BRACES: Both Sides(U.N.)  
 FB19B(1): 19=length(in), (1)=one side  
 B - L2X2X10G

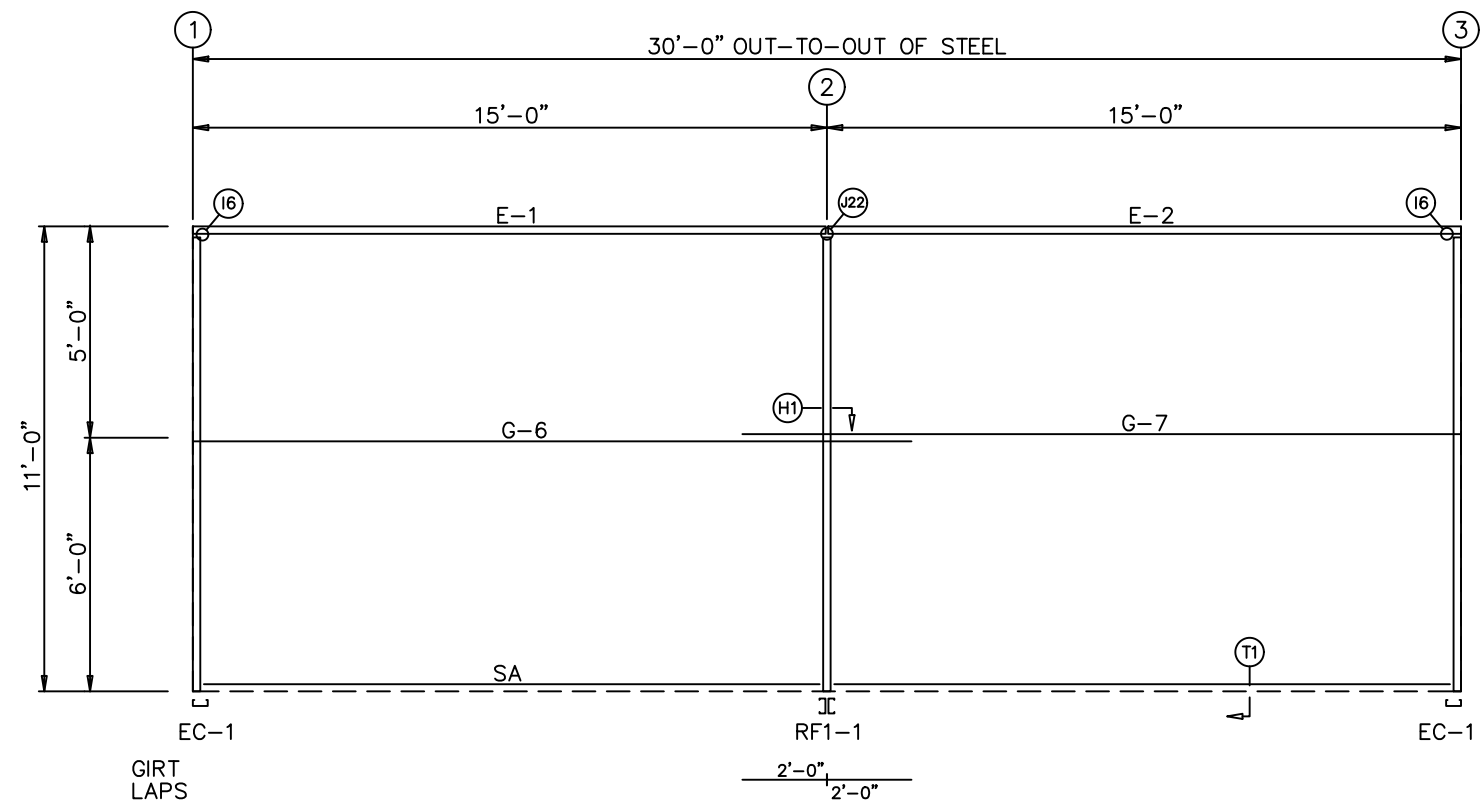


RIGID FRAME ELEVATION: FRAME LINE 2

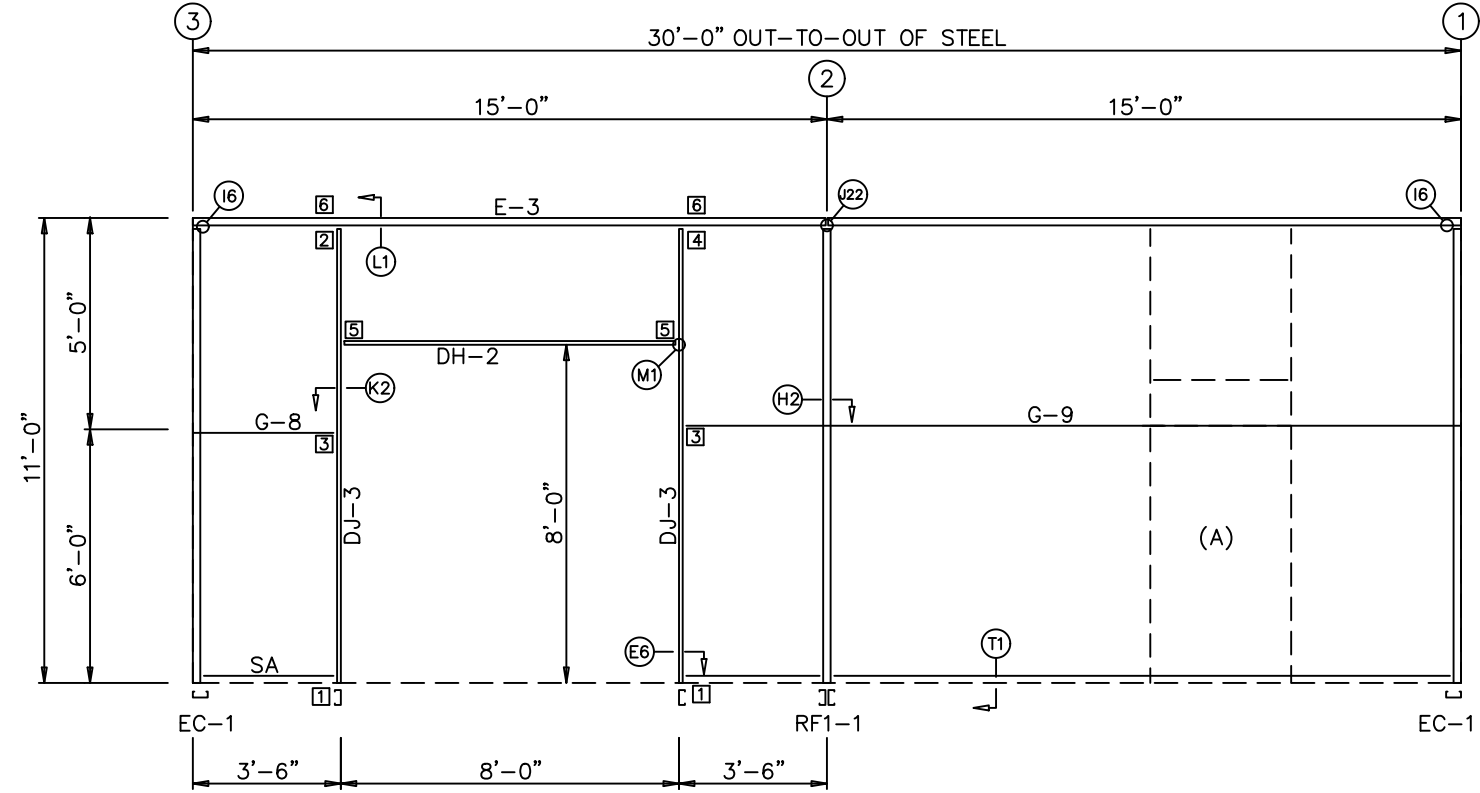
GENERAL NOTES:

MINOR FIELD WORK OF STRUCTURAL, SECONDARY AND PANEL/TRIM ITEMS MAY BE NECESSARY TO ENSURE PROPER FIT. SUCH WORK IS CONSIDERED A NORMAL PART OF METAL BUILDING ERECTION. WE WILL NOT HONOR BACKCHARGES FOR MINOR FIELD WORK.

LINCOLN STEEL BUILDINGS LLC		Customer: AMANDA & SETH HENDERSON	
CORAL SPRINGS, FL 33067		CAMERON, NC 28326	
Drafter: KR	Date: 11/21/19	Designer: RA	Date: 11/21/19
Detailer: AK	Date: 11/21/19	Sales ID:	Factory ID:
Checker: DP	Date: 11/21/19	21-0053	005475
RIGID FRAME ELEVATION			Sht E3 of 11



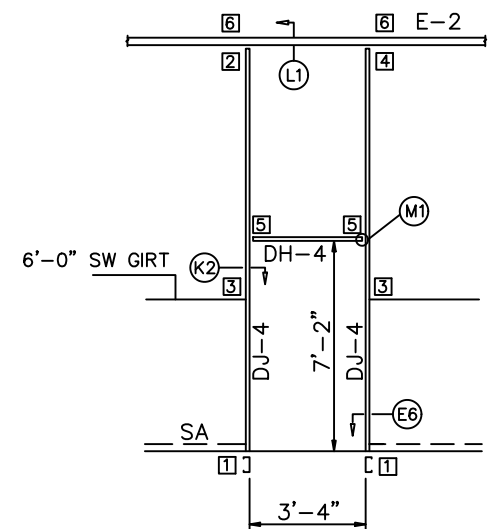
SIDEWALL FRAMING: FRAME LINE A



SIDEWALL FRAMING: FRAME LINE H

MEMBER TABLE FRAME LINE A & H		
MARK	PART	LENGTH
DJ-3	8x275C16	10'-5 3/8"
DJ-4	8x275C16	10'-5 3/8"
DH-2	8x275C16	7'-11 1/2"
DH-4	8x275C16	3'-3 1/2"
E-1	6x354E16	14'-11 1/4"
E-2	6x354E16	14'-11 1/4"
E-3	6x354E16	14'-11 1/4"
G-6	6x25Z18	16'-11 1/2"
G-7	6x25Z18	16'-11 1/2"
G-8	6x25Z18	3'-1"
G-9	6x25Z18	18'-1"

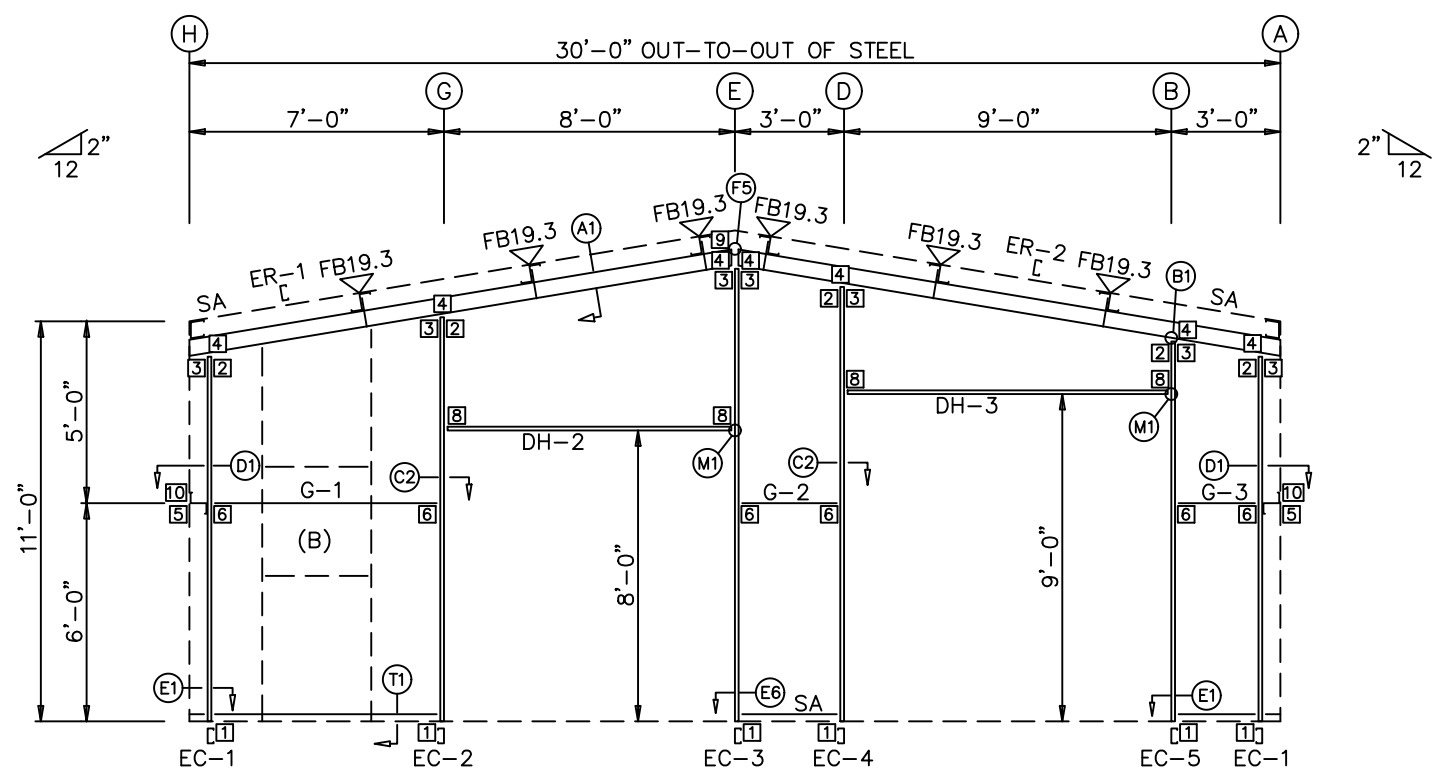
CONNECTION PLATES FRAME LINE A & H	
ID	MARK/PART
1	CLC008
2	CLC213
3	CLC062
4	CLC212
5	CLC025
6	SA



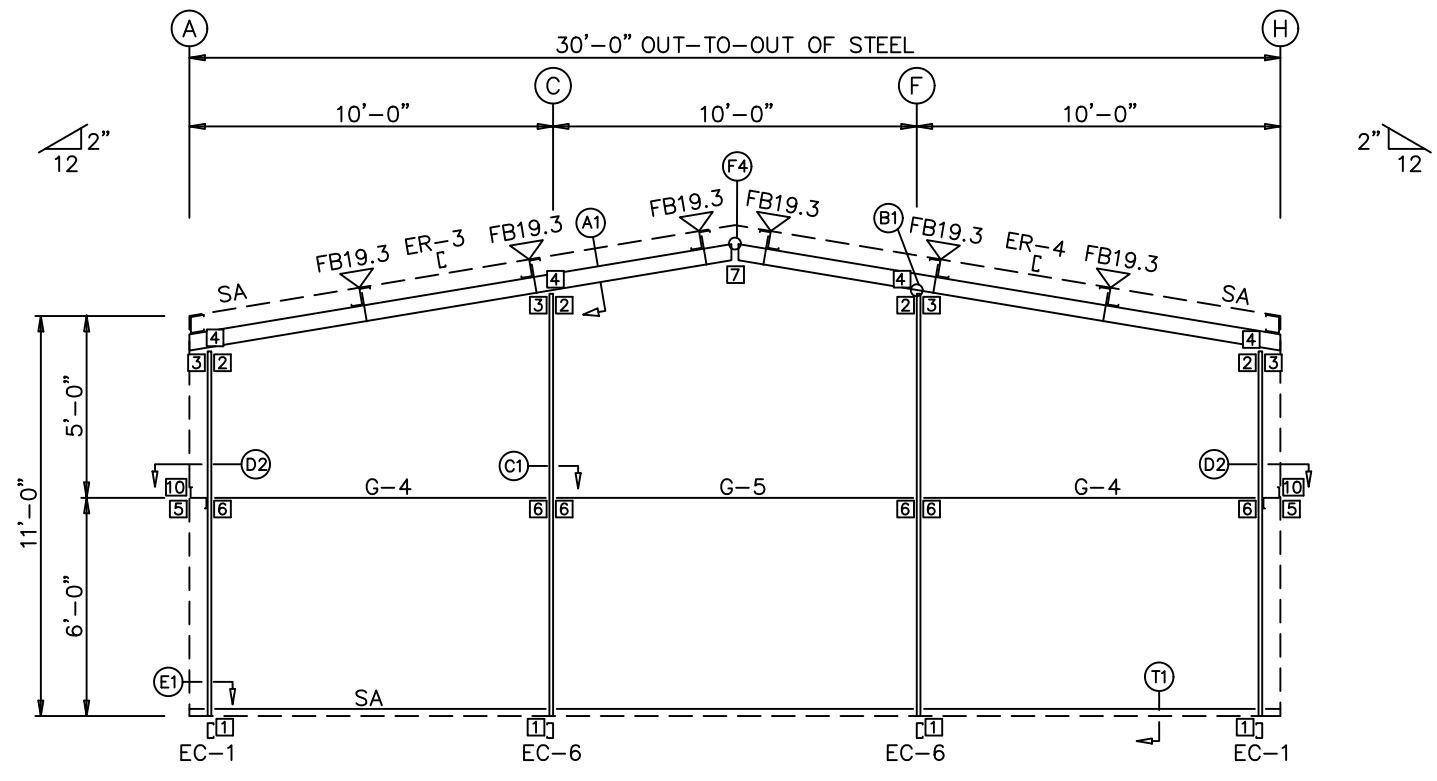
FIELD  
3472 WALKDOOR  
FRAMED OPENING DETAIL  
(1 REQUIRED)  
(6" GIRTS)  
(A)

**GENERAL NOTES:**  
MINOR FIELD WORK OF STRUCTURAL, SECONDARY AND PANEL/TRIM ITEMS MAY BE NECESSARY TO ENSURE PROPER FIT. SUCH WORK IS CONSIDERED A NORMAL PART OF METAL BUILDING ERECTION. WE WILL NOT HONOR BACKCHARGES FOR MINOR FIELD WORK.

LINCOLN STEEL BUILDINGS LLC		Customer: AMANDA & SETH HENDERSON	
CORAL SPRINGS, FL 33067		CAMERON, NC 28326	
Drafter: KR	Date: 11/21/19	Designer: RA	Date: 11/21/19
Detailer: AK	Date: 11/21/19	Sales ID: 21-0053	Factory ID: 005475
Checker: DP	Date: 11/21/19		
SIDEWALL FRAMING			Sht E4 of 11



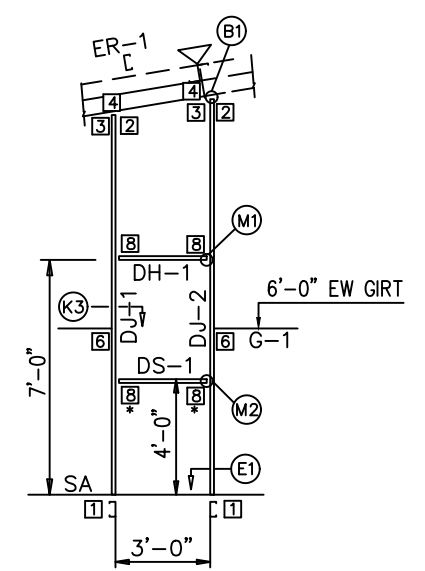
ENDWALL FRAMING: FRAME LINE 1



ENDWALL FRAMING: FRAME LINE 3

BOLT TABLE FRAME LINE 1 & 3				
LOCATION	QUAN	TYPE	DIA	LENGTH
ER-1/ER-2	4	A325T	1/2"	2"
ER-3/ER-4	4	A325T	1/2"	2"
Columns/Raf	8	A325T	1/2"	2"
Jamb/Raf	8	A325T	1/2"	2"

MEMBER TABLE FRAME LINE 1 & 3		
MARK	PART	LENGTH
EC-1	8x275C16	9'-9 13/16"
EC-2	8x275C16	10'-10 13/16"
EC-3	8x275C16	12'-2 13/16"
EC-4	8x275C16	11'-8 13/16"
EC-5	8x275C16	10'-2 13/16"
EC-6	8x275C16	11'-4 13/16"
ER-1	8x275C16	15'-1"
ER-2	8x275C16	15'-1"
ER-3	8x275C16	15'-1"
ER-4	8x275C16	15'-1"
DJ-1	8x275C16	10'-0 13/16"
DJ-2	8x275C16	10'-6 13/16"
DH-1	8x275C16	2'-11 1/2"
DH-2	8x275C16	7'-11 1/2"
DH-3	8x275C16	8'-11 1/2"
DS-1	8x275C16	2'-11 1/2"
G-1	4x25Z18	5'-9"
G-2	4x25Z18	2'-3"
G-3	4x25Z18	1'-9"
G-4	6x25Z18	8'-9"
G-5	6x25Z18	9'-11"



FIELD 3030 WINDOW  
FRAMED OPENING DETAIL  
(1 REQUIRED)  
(4" GIRT)  
(B)

FLANGE BRACE TABLE FRAME LINE 1 & 3			
VID	QUAN	MARK	LENGTH
1	12	FB19.3	1'-7 1/4"

CONNECTION PLATES FRAME LINE 1 & 3	
ID	MARK/PART
1	CLC008
2	CLC081
3	CLC083
4	CLC089
5	CLC061
6	CLC062
7	CLC122
8	CLC025
9	SCL-1
10	CLC063

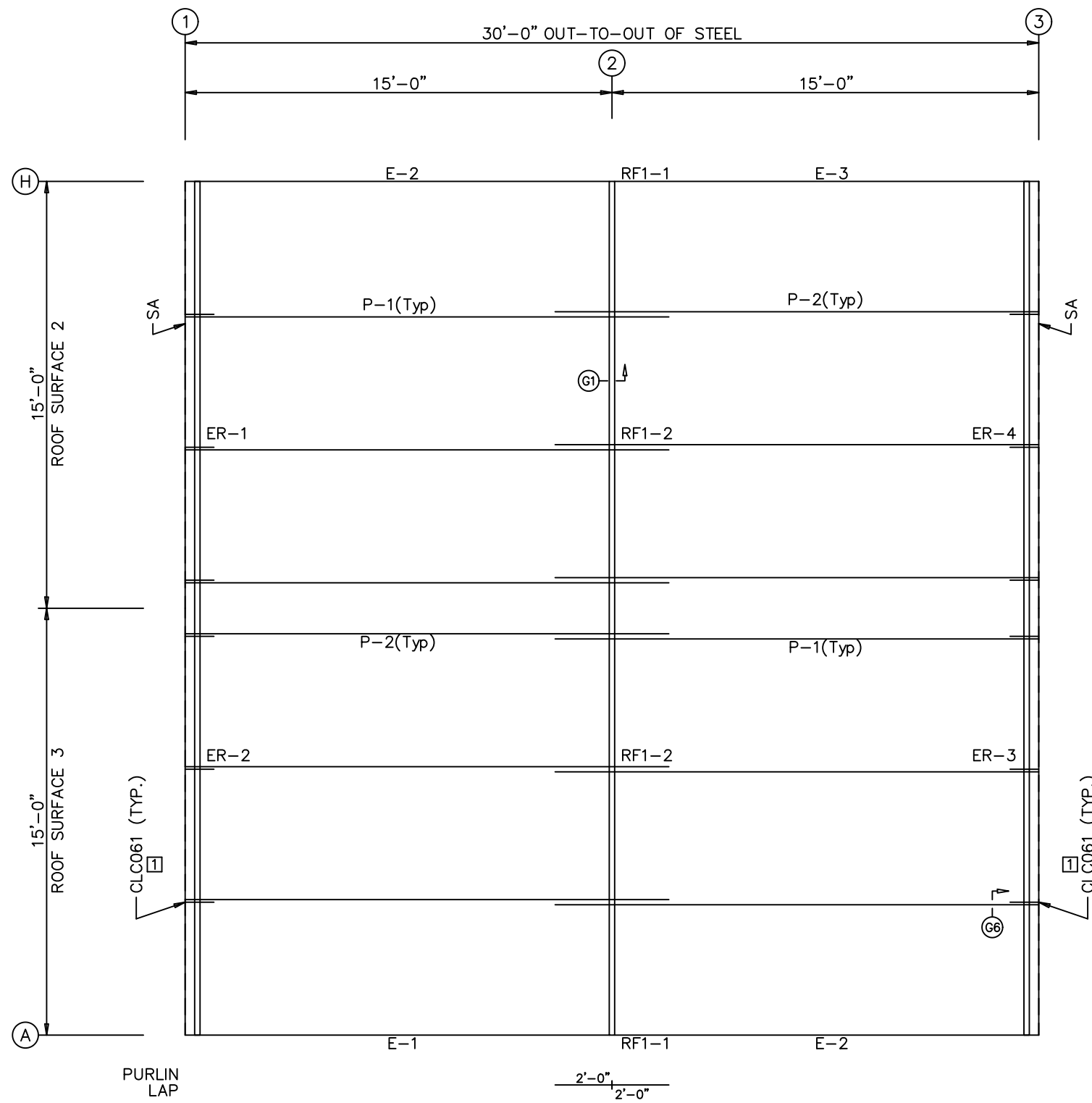
\* REVERSE CLIP

**GENERAL NOTES:**  
MINOR FIELD WORK OF STRUCTURAL, SECONDARY AND PANEL/TRIM ITEMS MAY BE NECESSARY TO ENSURE PROPER FIT. SUCH WORK IS CONSIDERED A NORMAL PART OF METAL BUILDING ERECTION. WE WILL NOT HONOR BACKCHARGES FOR MINOR FIELD WORK.

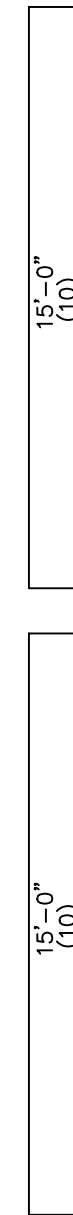
LINCOLN STEEL BUILDINGS LLC CORAL SPRINGS, FL 33067		Customer: AMANDA & SETH HENDERSON CAMERON, NC 28326	
Drafter: KR	Date: 11/21/19	Designer: RA	Date: 11/21/19
Detailer: AK	Date: 11/21/19	Sales ID: 21-0053	Factory ID: 005475
Checker: DP	Date: 11/21/19		
ENDWALL FRAMING			Sht E5 of 11

MEMBER TABLE		
ROOF PLAN		
MARK	PART	LENGTH
P-1	6x25Z18	16'-11 1/2"
P-2	6x25Z18	16'-11 1/2"
E-1	6x354E16	14'-11 1/4"
E-2	6x354E16	14'-11 1/4"
E-3	6x354E16	14'-11 1/4"

CONNECTION PLATES	
ROOF PLAN	
ID	MARK/PART
1	CLC061



ROOF FRAMING PLAN



ROOF SHEETING

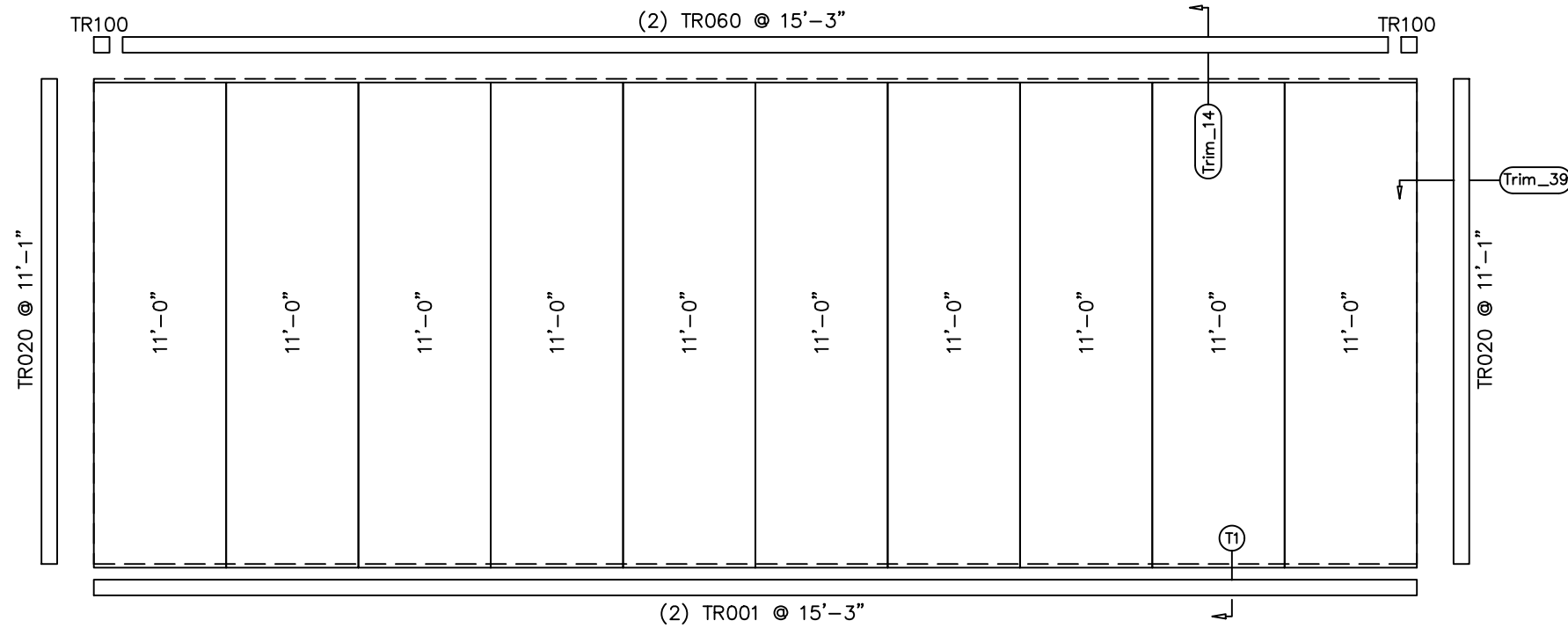
PANELS: 26 Ga. PBR Galvalume/Plain

GENERAL NOTES:

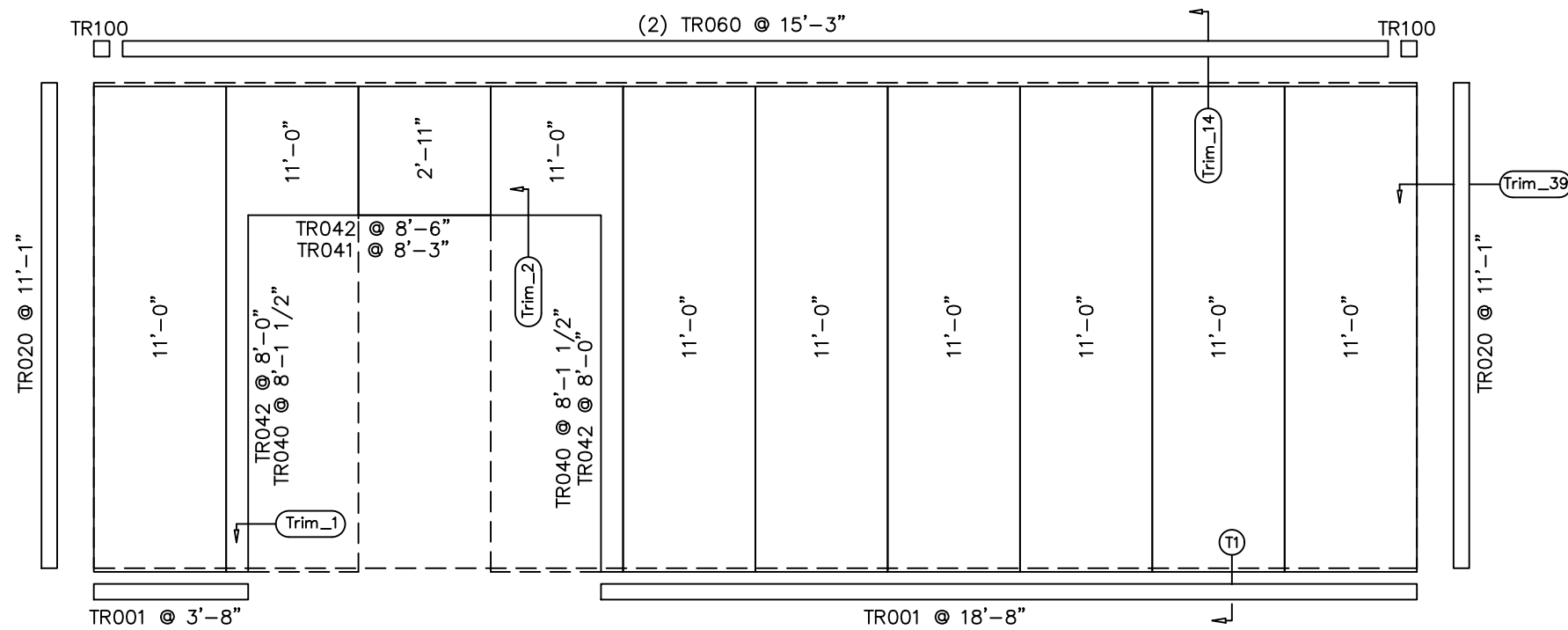
MINOR FIELD WORK OF STRUCTURAL, SECONDARY AND PANEL/TRIM ITEMS MAY BE NECESSARY TO ENSURE PROPER FIT. SUCH WORK IS CONSIDERED A NORMAL PART OF METAL BUILDING ERECTION. WE WILL NOT HONOR BACKCHARGES FOR MINOR FIELD WORK.

LINCOLN STEEL BUILDINGS LLC		Customer: AMANDA & SETH HENDERSON	
CORAL SPRINGS, FL 33067		CAMERON, NC 28326	
Drafter: KR	Date: 11/21/19	Designer: RA	Date: 11/21/19
Detailer: AK	Date: 11/21/19	Sales ID: 21-0053	Factory ID: 005475
Checker: DP	Date: 11/21/19		
ROOF FRAMING PLAN			Sht E6 of 11

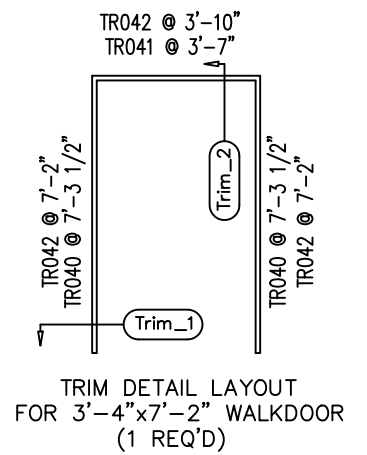




SIDEWALL SHEETING & TRIM: FRAME LINE A  
 PANELS: 26 Ga. PBR – Pearl Gray



SIDEWALL SHEETING & TRIM: FRAME LINE H  
 PANELS: 26 Ga. PBR – Pearl Gray

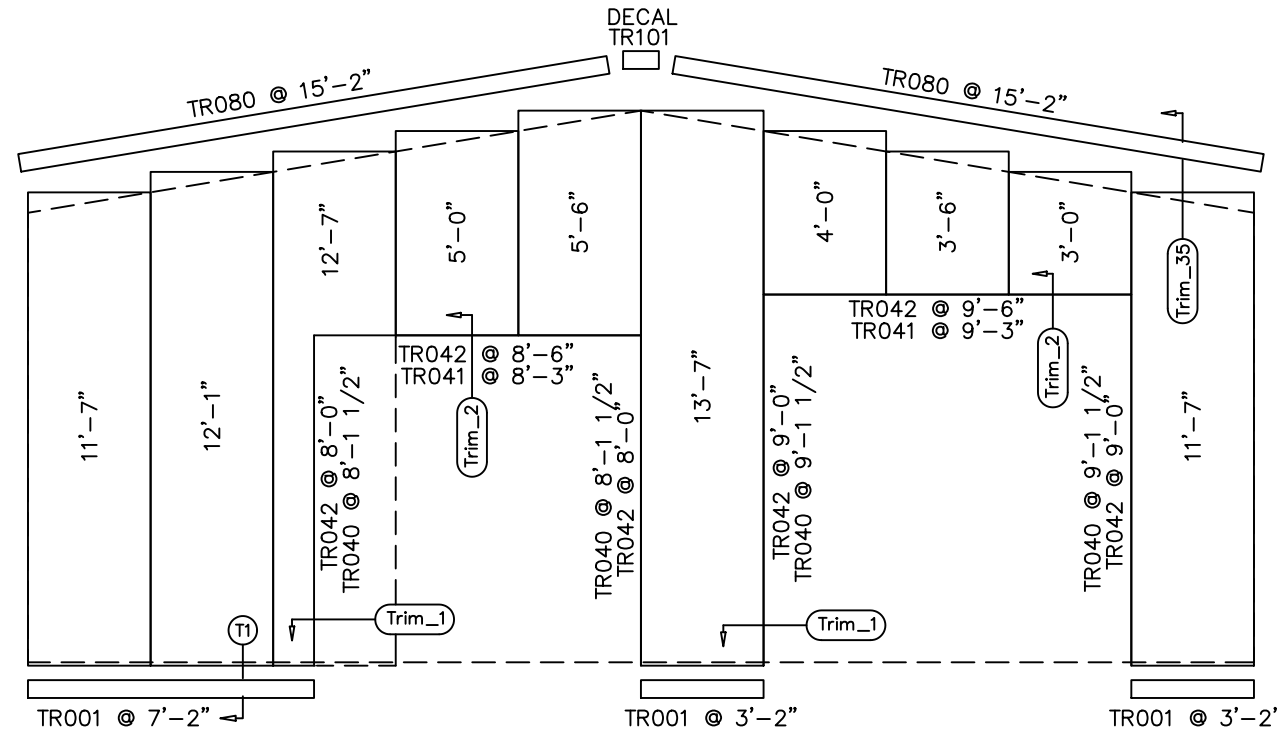


**GENERAL NOTES:**

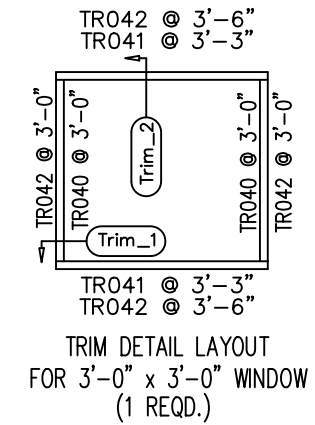
MINOR FIELD WORK OF STRUCTURAL, SECONDARY AND PANEL/TRIM ITEMS MAY BE NECESSARY TO ENSURE PROPER FIT. SUCH WORK IS CONSIDERED A NORMAL PART OF METAL BUILDING ERECTION. WE WILL NOT HONOR BACKCHARGES FOR MINOR FIELD WORK.

LINCOLN STEEL BUILDINGS LLC		Customer: AMANDA & SETH HENDERSON	
CORAL SPRINGS, FL 33067		CAMERON, NC 28326	
Drafter: KR	Date: 11/21/19	Designer: RA	Date: 11/21/19
Detailer: AK	Date: 11/21/19	Sales ID: 21-0053	Factory ID: 005475
Checker: DP	Date: 11/21/19		
SIDEWALL SHEETING			Sht E7 of 11

2"  
12



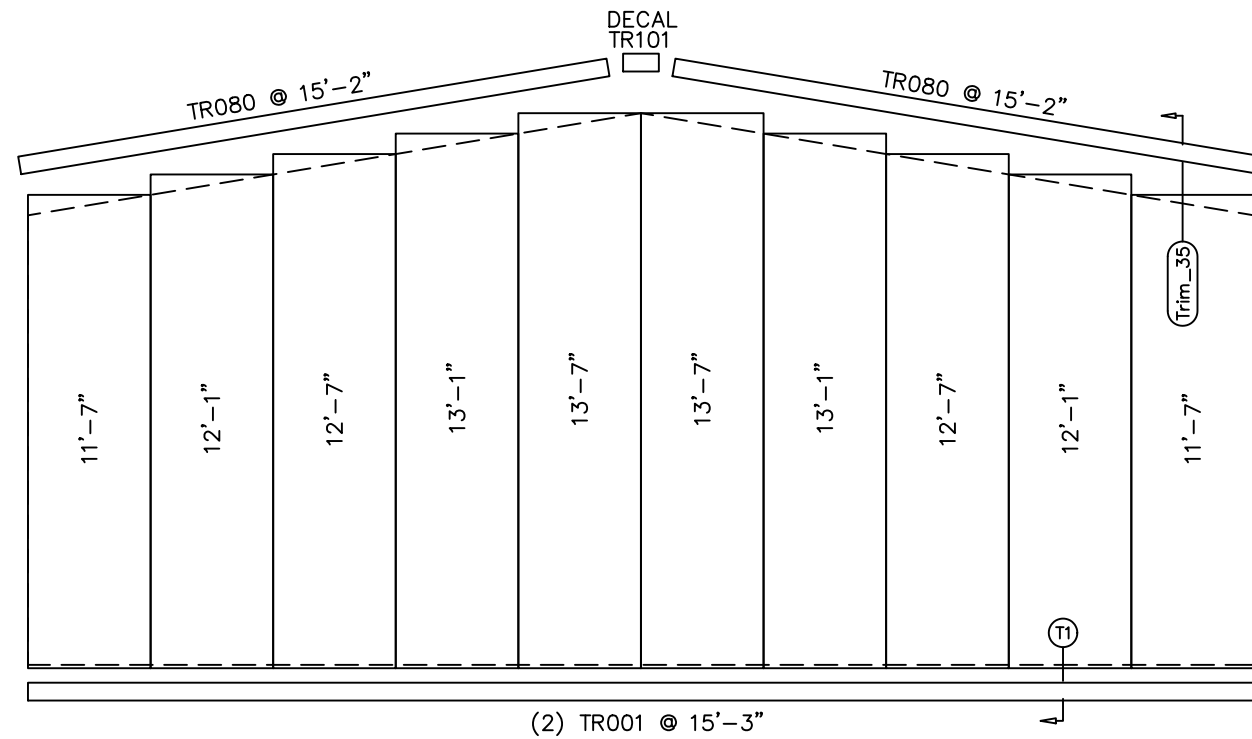
2"  
12



### ENDWALL SHEETING & TRIM: FRAME LINE 1

PANELS: 26 Ga. PBR - Pearl Gray

2"  
12



2"  
12

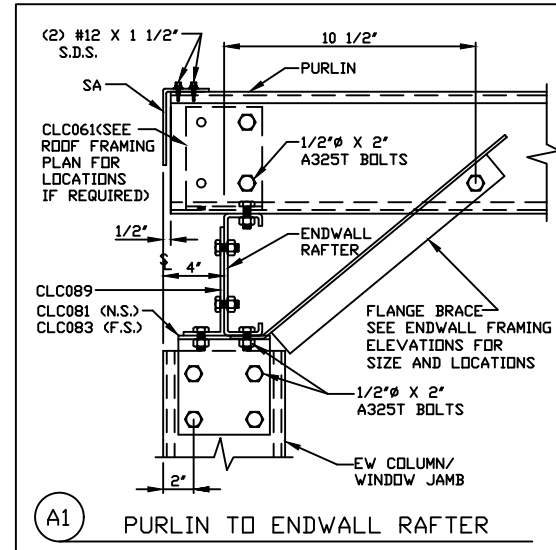
### ENDWALL SHEETING & TRIM: FRAME LINE 3

PANELS: 26 Ga. PBR - Pearl Gray

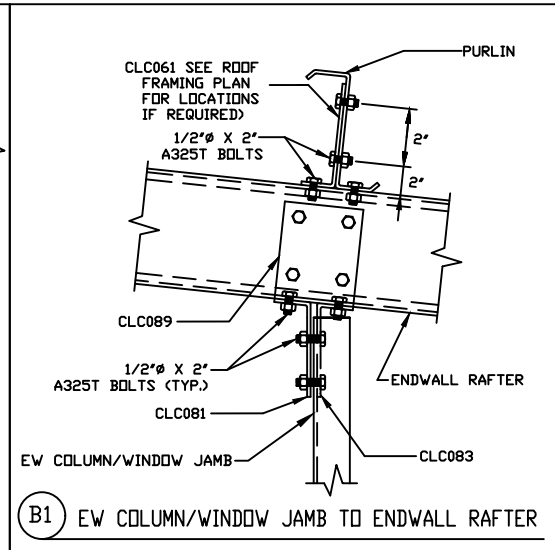
#### GENERAL NOTES:

MINOR FIELD WORK OF STRUCTURAL, SECONDARY AND PANEL/TRIM ITEMS MAY BE NECESSARY TO ENSURE PROPER FIT. SUCH WORK IS CONSIDERED A NORMAL PART OF METAL BUILDING ERECTION. WE WILL NOT HONOR BACKCHARGES FOR MINOR FIELD WORK.

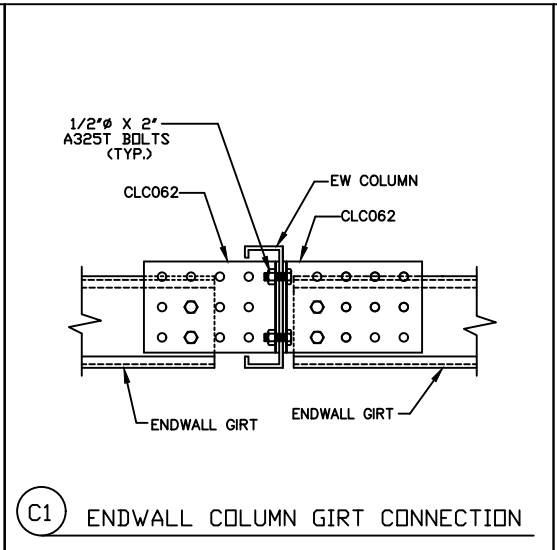
LINCOLN STEEL BUILDINGS LLC		Customer: AMANDA & SETH HENDERSON	
CORAL SPRINGS, FL 33067		CAMERON, NC 28326	
Drafter: KR	Date: 11/21/19	Designer: RA	Date: 11/21/19
Detailer: AK	Date: 11/21/19	Sales ID:	Factory ID:
Checker: DP	Date: 11/21/19	21-0053	005475
ENDWALL SHEETING			Sht E8 of 11



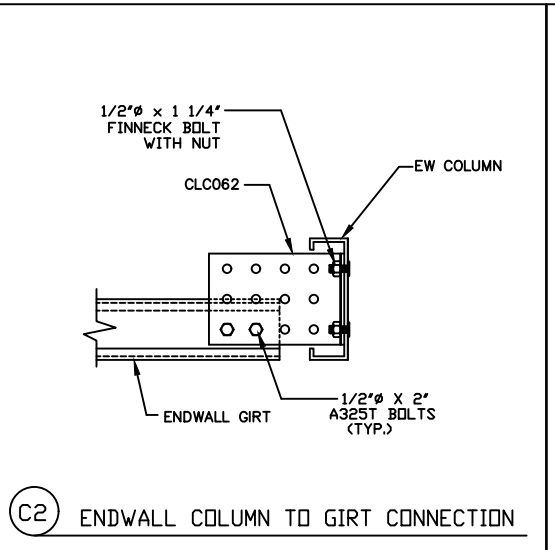
A1 PURLIN TO ENDWALL RAFTER



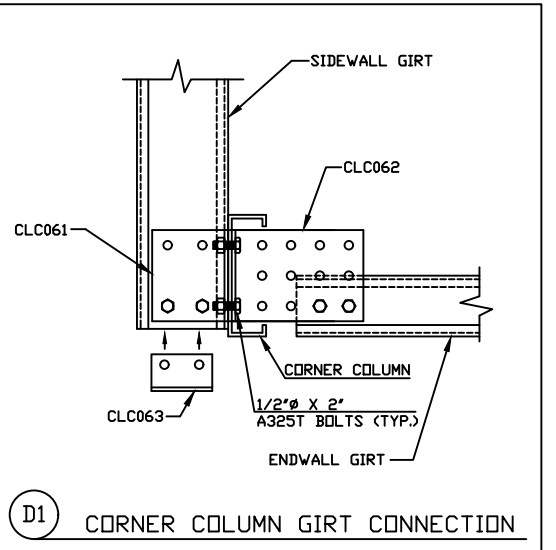
B1 EW COLUMN/WINDOW JAMB TO ENDWALL RAFTER



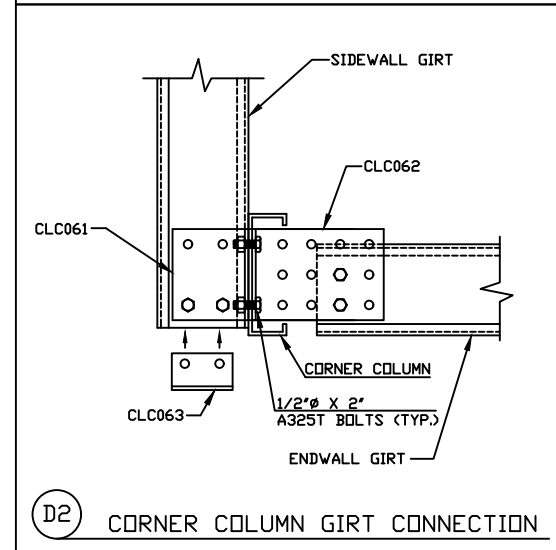
C1 ENDWALL COLUMN GIRTS CONNECTION



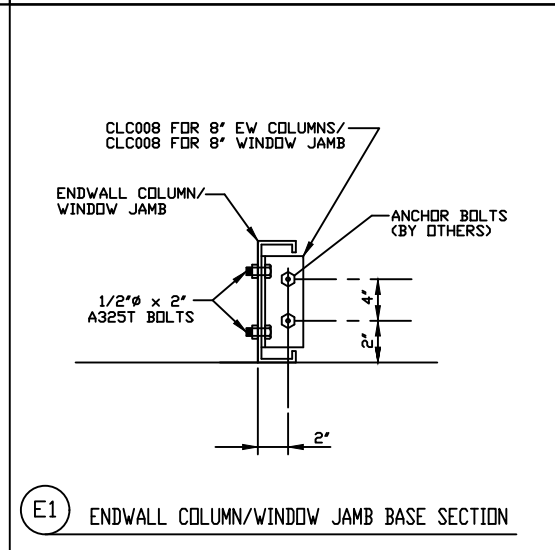
C2 ENDWALL COLUMN TO GIRTS CONNECTION



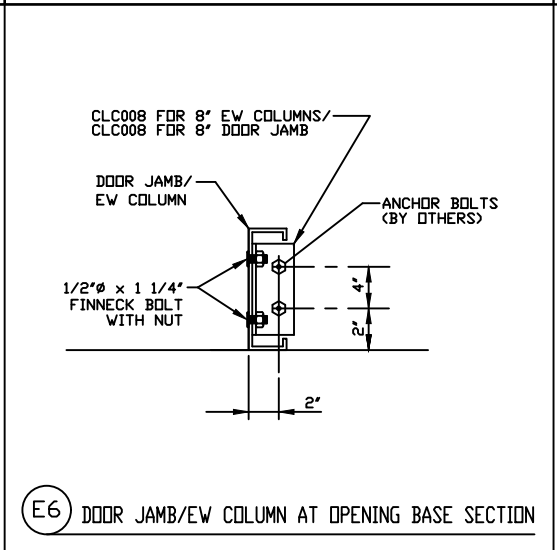
D1 CORNER COLUMN GIRTS CONNECTION



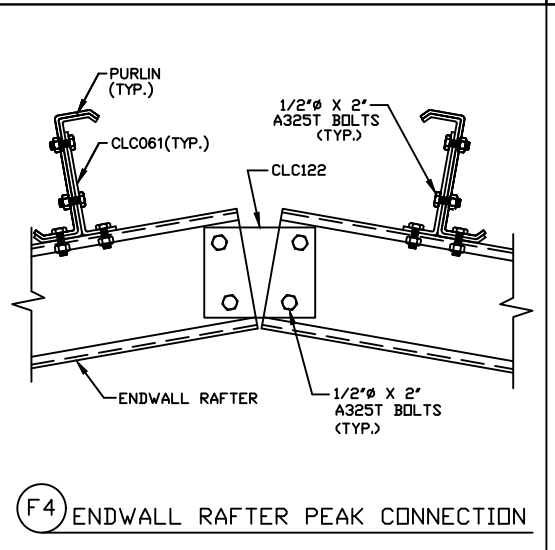
D2 CORNER COLUMN GIRTS CONNECTION



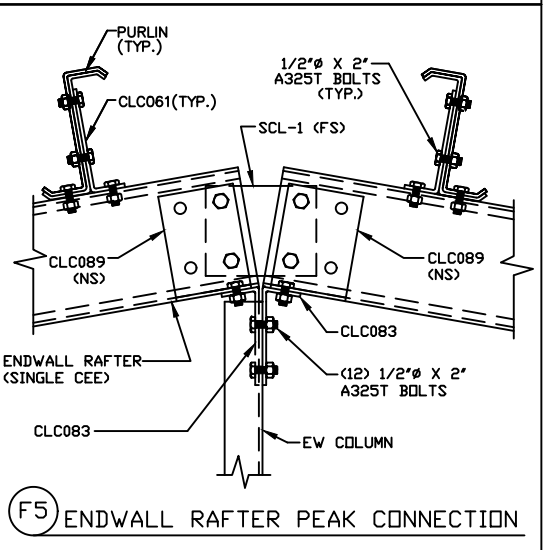
E1 ENDWALL COLUMN/WINDOW JAMB BASE SECTION



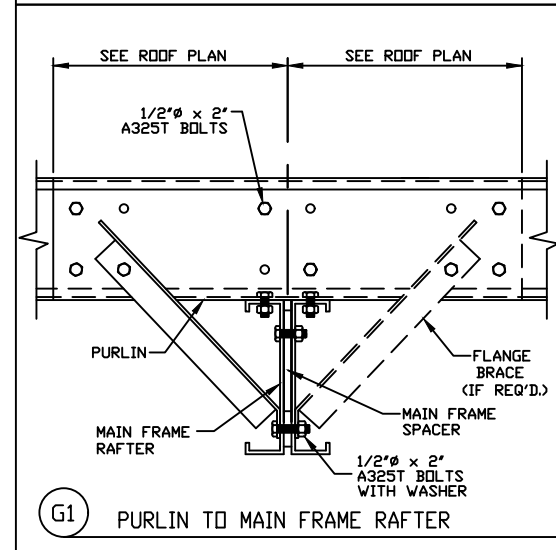
E6 DOOR JAMB/EW COLUMN AT OPENING BASE SECTION



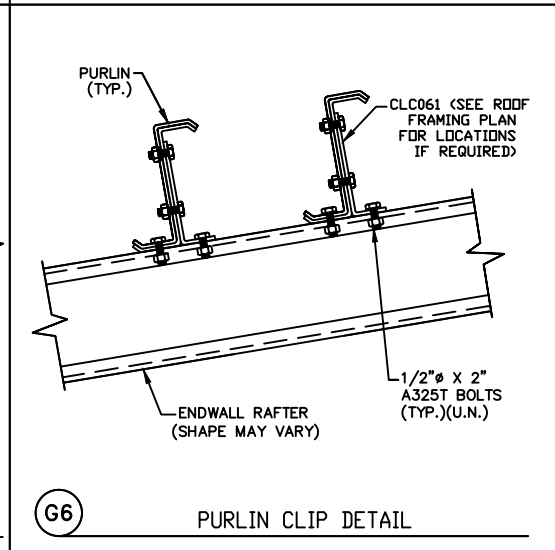
F4 ENDWALL RAFTER PEAK CONNECTION



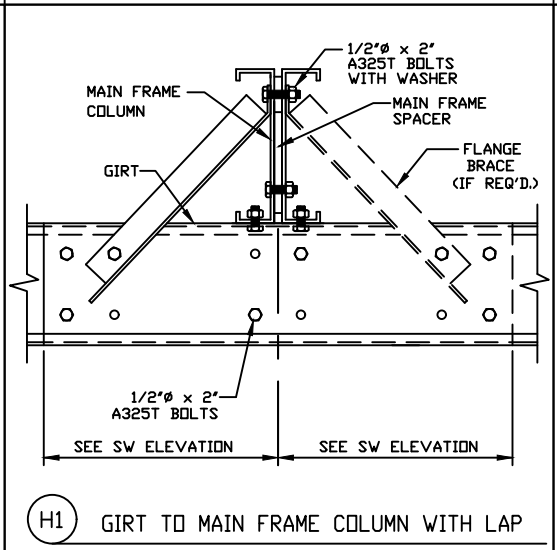
F5 ENDWALL RAFTER PEAK CONNECTION



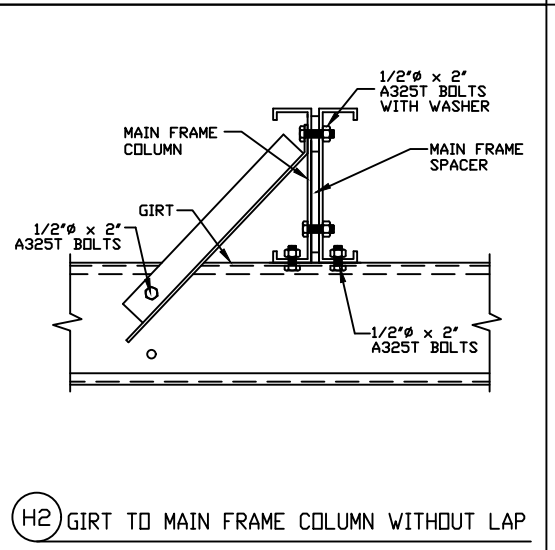
G1 PURLIN TO MAIN FRAME RAFTER



G6 PURLIN CLIP DETAIL



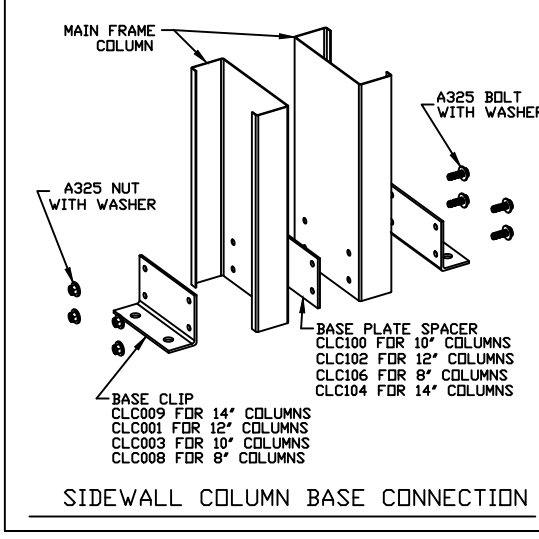
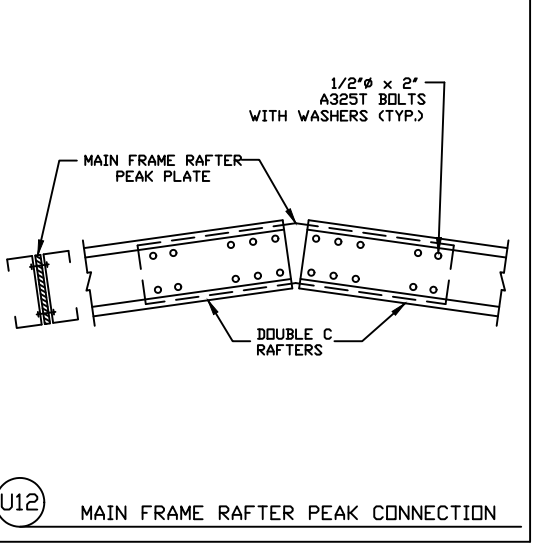
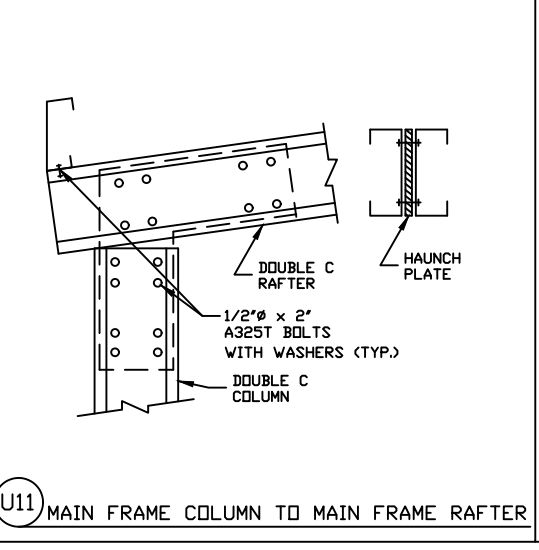
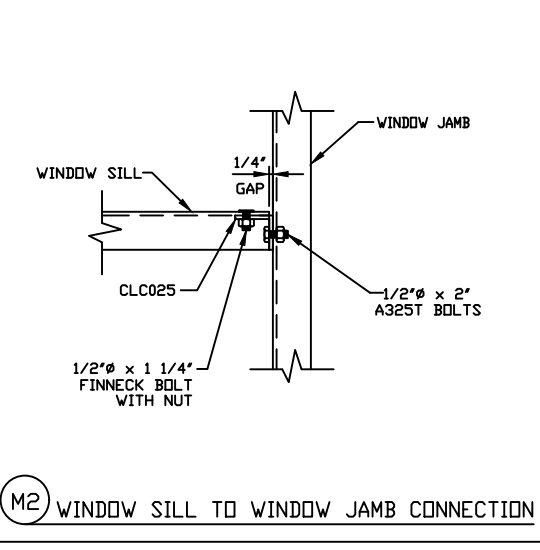
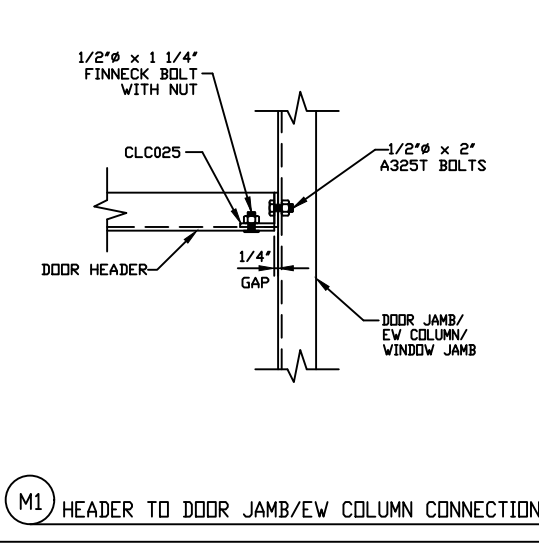
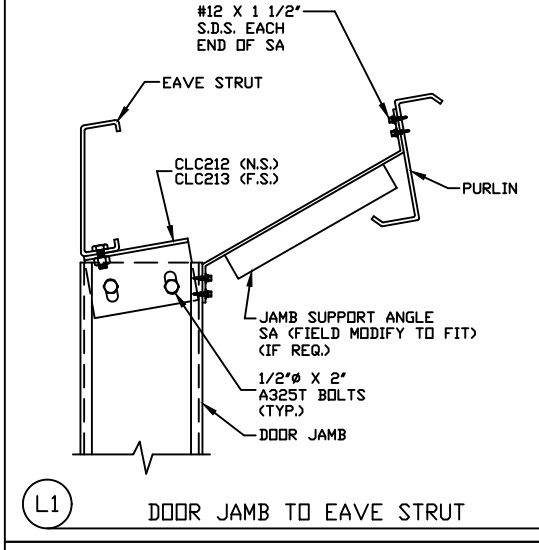
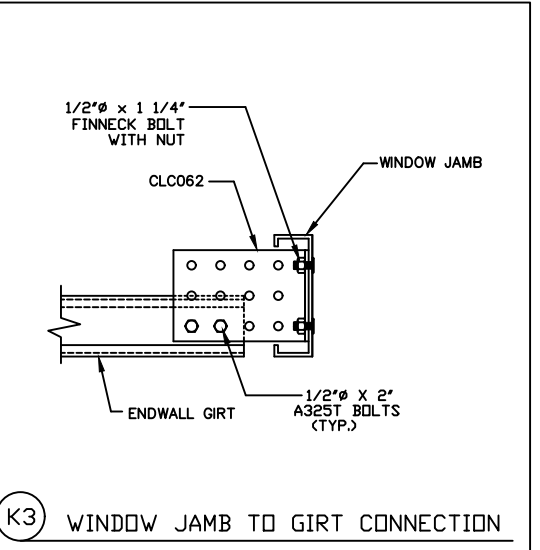
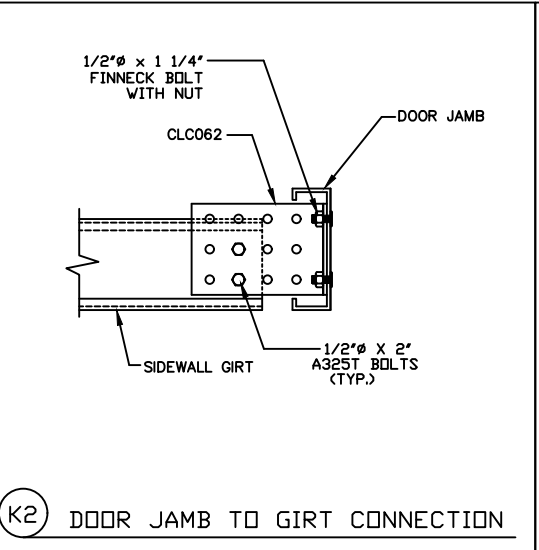
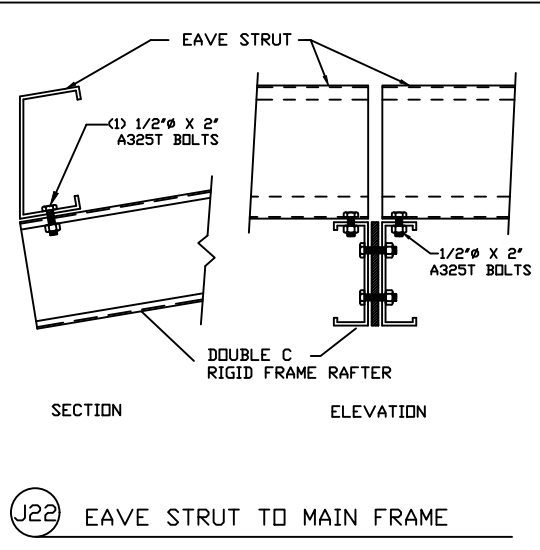
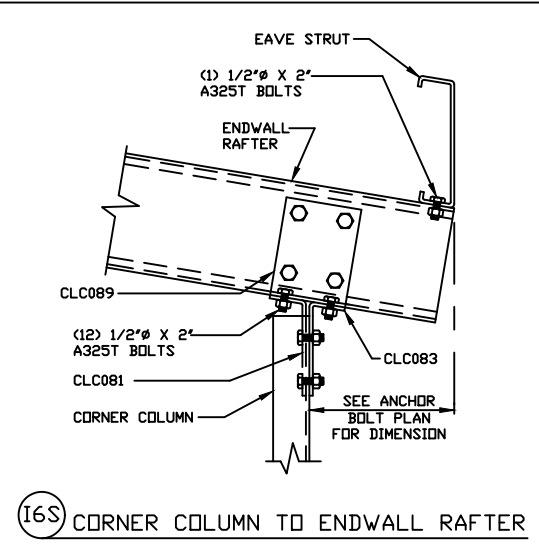
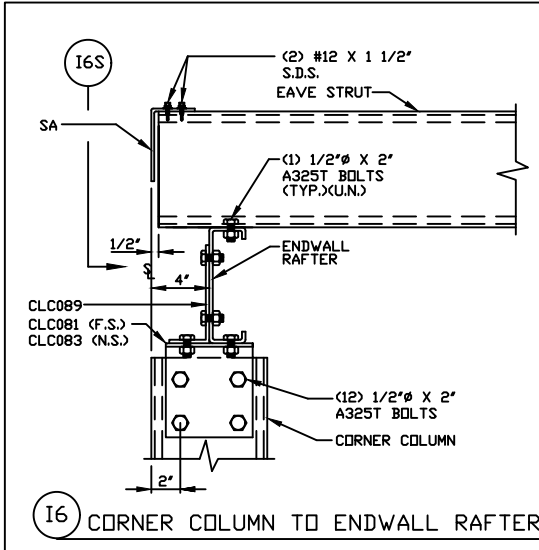
H1 GIRTS TO MAIN FRAME COLUMN WITH LAP



H2 GIRTS TO MAIN FRAME COLUMN WITHOUT LAP

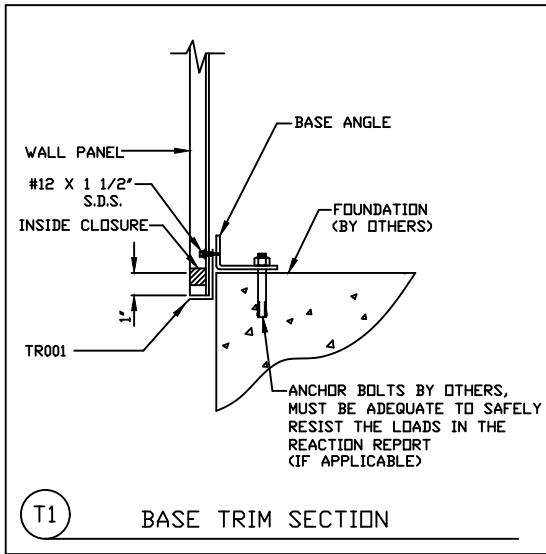
NOTES: 1.) ALL SCREWS ARE WITH WASHERS UNLESS NOTED.

LINCOLN STEEL BUILDINGS LLC		Customer: AMANDA & SETH HENDERSON	
CORAL SPRINGS, FL 33067		CAMERON, NC 28326	
Drafter: KR	Date: 11/21/19	Designer: RA	Date: 11/21/19
Detailer: AK	Date: 11/21/19	Sales ID: 21-0053	Factory ID: 005475
Checker: DP	Date: 11/21/19		
DETAIL DRAWINGS			Sht E9 of 11

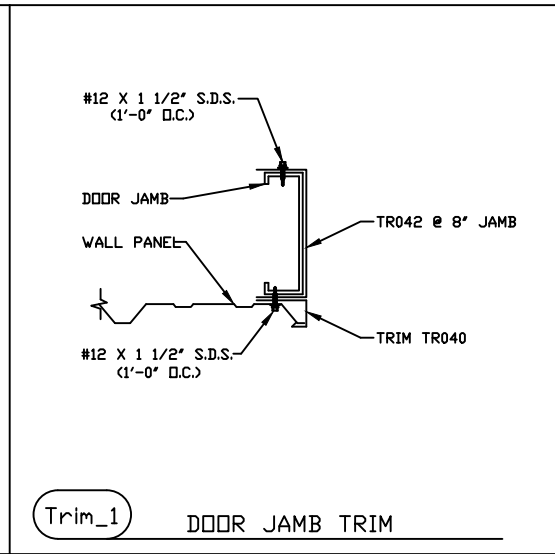


NOTES: 1.) ALL SCREWS ARE WITH WASHERS UNLESS NOTED.

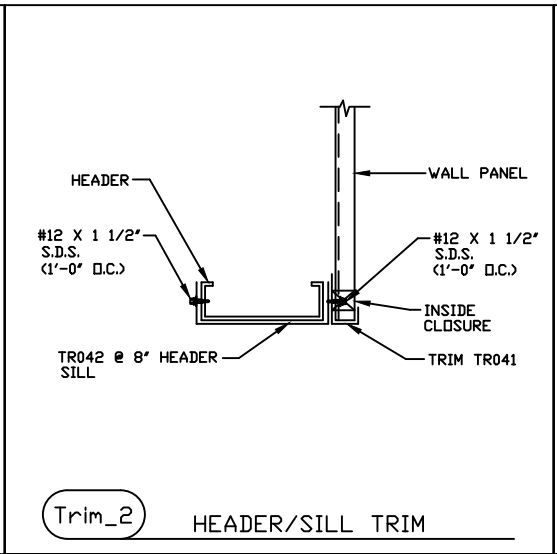
LINCOLN STEEL BUILDINGS LLC		Customer: AMANDA & SETH HENDERSON	
CORAL SPRINGS, FL 33067		CAMERON, NC 28326	
Drafter: KR	Date: 11/21/19	Designer: RA	Date: 11/21/19
Detailer: AK	Date: 11/21/19	Sales ID: 21-0053	Factory ID: 005475
Checker: DP	Date: 11/21/19		
DETAIL DRAWINGS			Sht E10 of 11



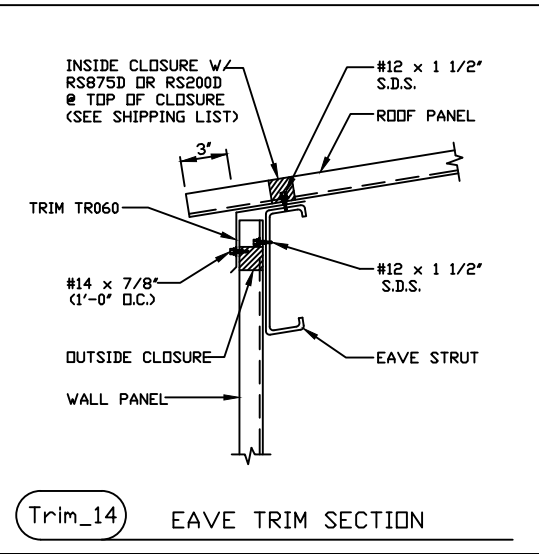
T1 BASE TRIM SECTION



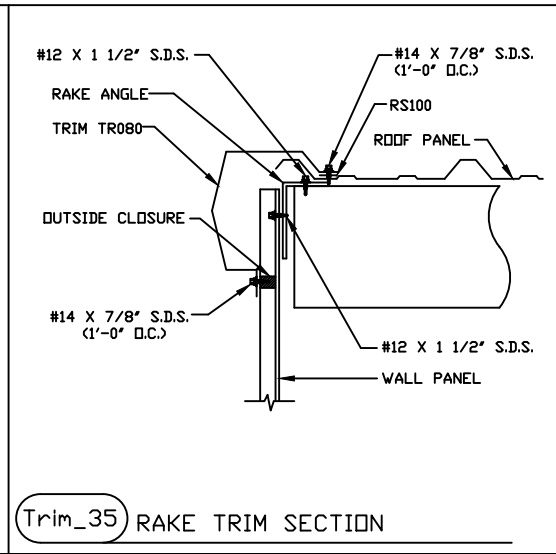
Trim\_1 DOOR JAMB TRIM



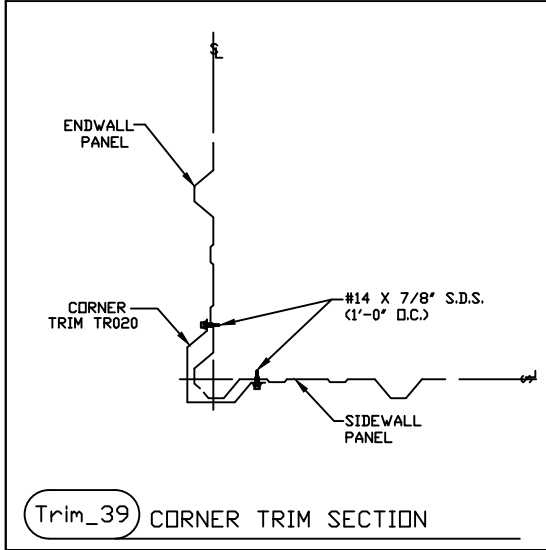
Trim\_2 HEADER/SILL TRIM



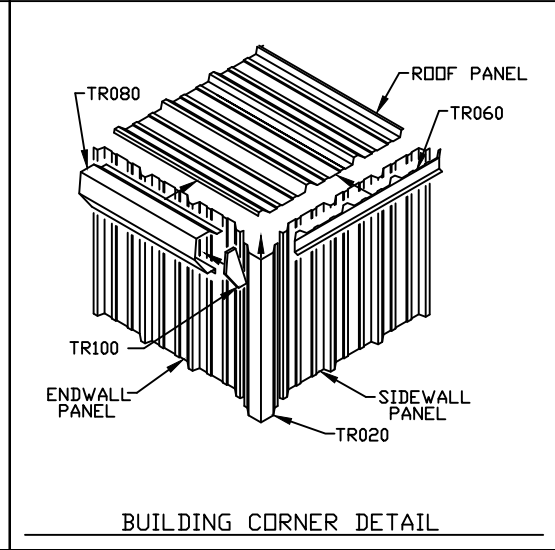
Trim\_14 EAVE TRIM SECTION



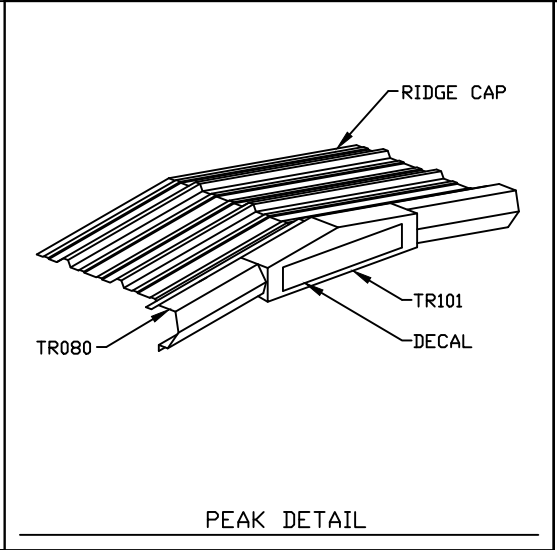
Trim\_35 RAKE TRIM SECTION



Trim\_39 CORNER TRIM SECTION



BUILDING CORNER DETAIL



PEAK DETAIL

LINCOLN STEEL BUILDINGS LLC		Customer: AMANDA & SETH HENDERSON	
CORAL SPRINGS, FL 33067		CAMERON, NC 28326	
Drafter: KR	Date: 11/21/19	Designer: RA	Date: 11/21/19
Detailer: AK	Date: 11/21/19	Sales ID:	Factory ID:
Checker: DP	Date: 11/21/19	21-0053	005475
TRIM DRAWINGS			Sht E11 of 11