

Building Specs

Size: 30x70 Roof / 30x50 Shop

Height: 18' Peak

Side Walls: 12'

Doors: 1 - main Door / 1 - 12x12 / 1 - 10x10

Windows: 2 - 32" x 36"

Floor: 4" Concrete 3500 PSI

Roof Color: _____

Sides & Front Color: _____

Trim Color: _____

Misc: _____

12-20-2025

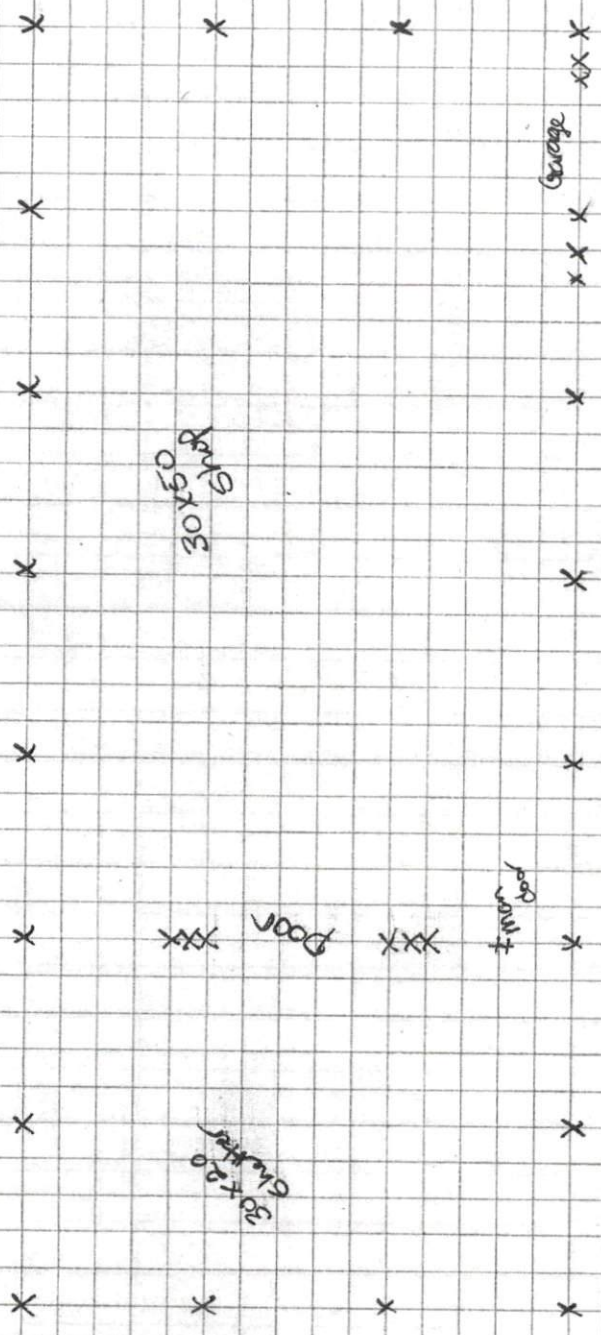
Greg Hobbs

30x70 Roof

30x50 Shop

30x20 Shelter / Feed

- 1 12x12 Rollup Door
- 1 10x10 Rollup Door
- 1 Main Door
- 2 Windows



30x50 Shop

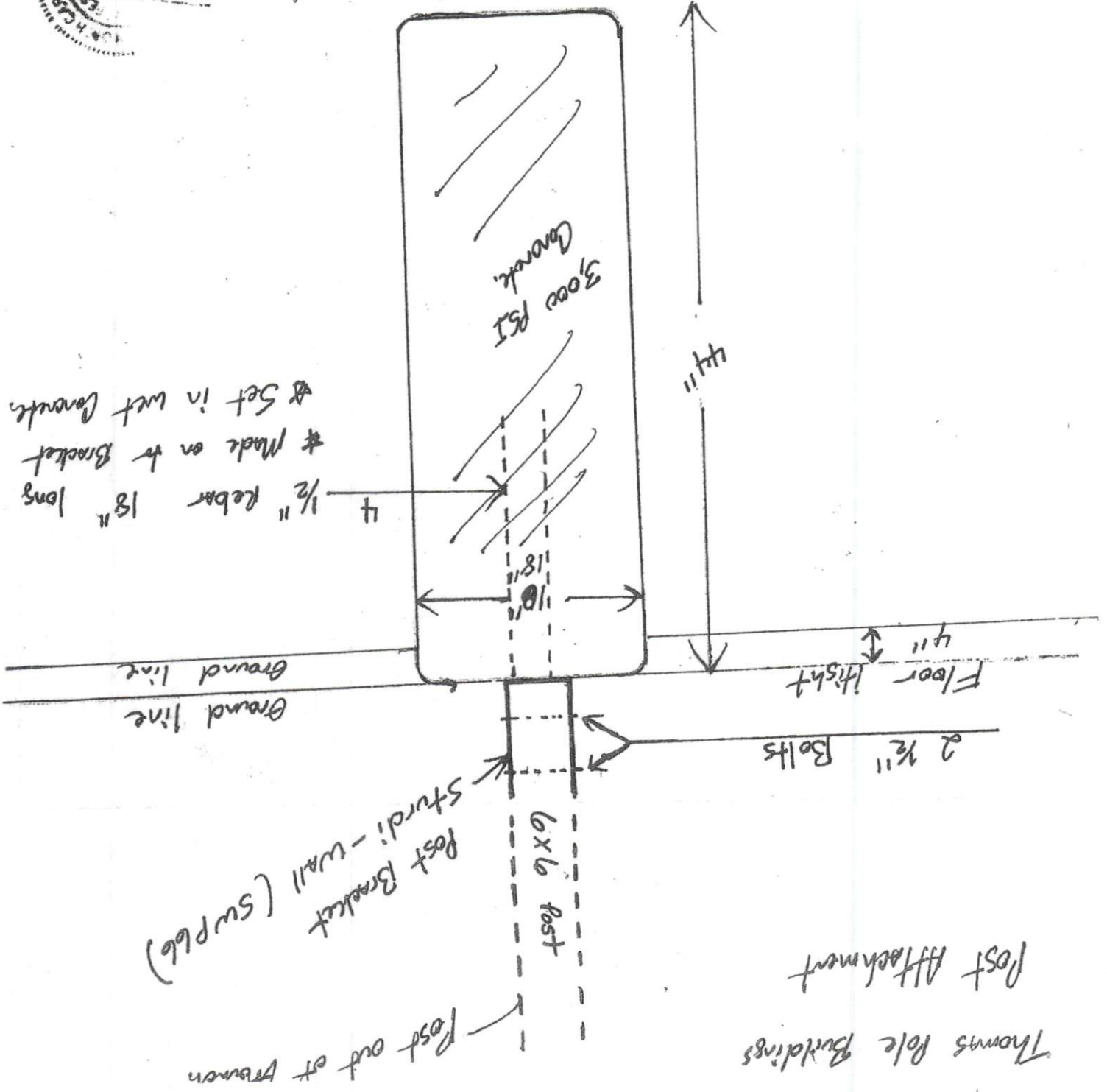
30x20 Shelter

Garage

Door

Door

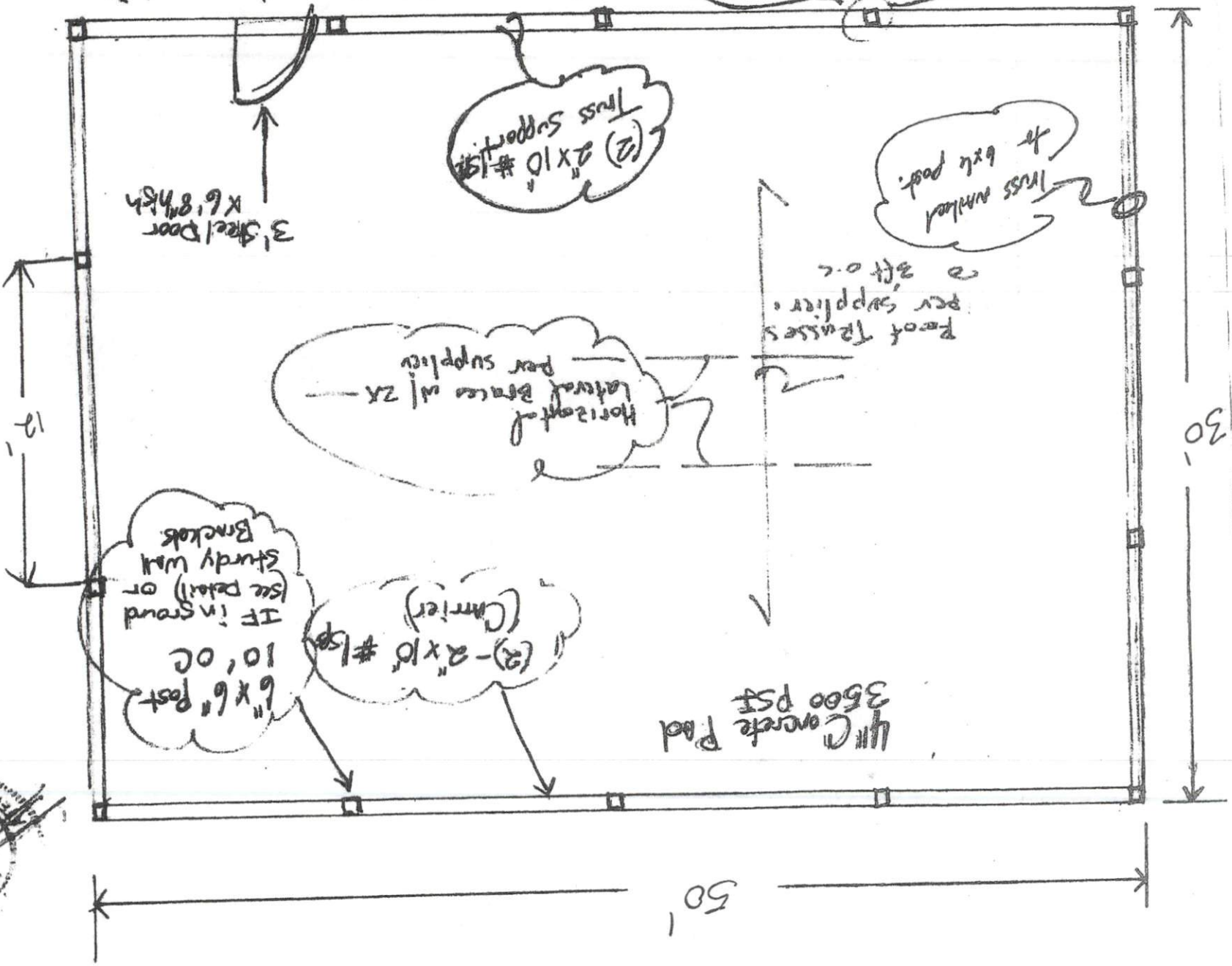
Greg Hobbs
 30 x 70 Roof
 30 x 60 Gump.
 30 x 80 Shekts on Front



Post Attachment
 Thomas Pole Buildings

Pole Barn designed for compliance with NEC 2018

USE (2) 5/16" X 5 1/2" Structural Steels



(2) 2" x 10' #15 Truss Support

Truss member to 6' x 6' post

Roof Trusses per supplier 24" o.c.

Horizontal Braces w/ 2x4 per supplier

6' x 6' Post 10' OC IF in ground or sturdy wall with Brackets

(2) - 2" x 10' #15 (Carrier)

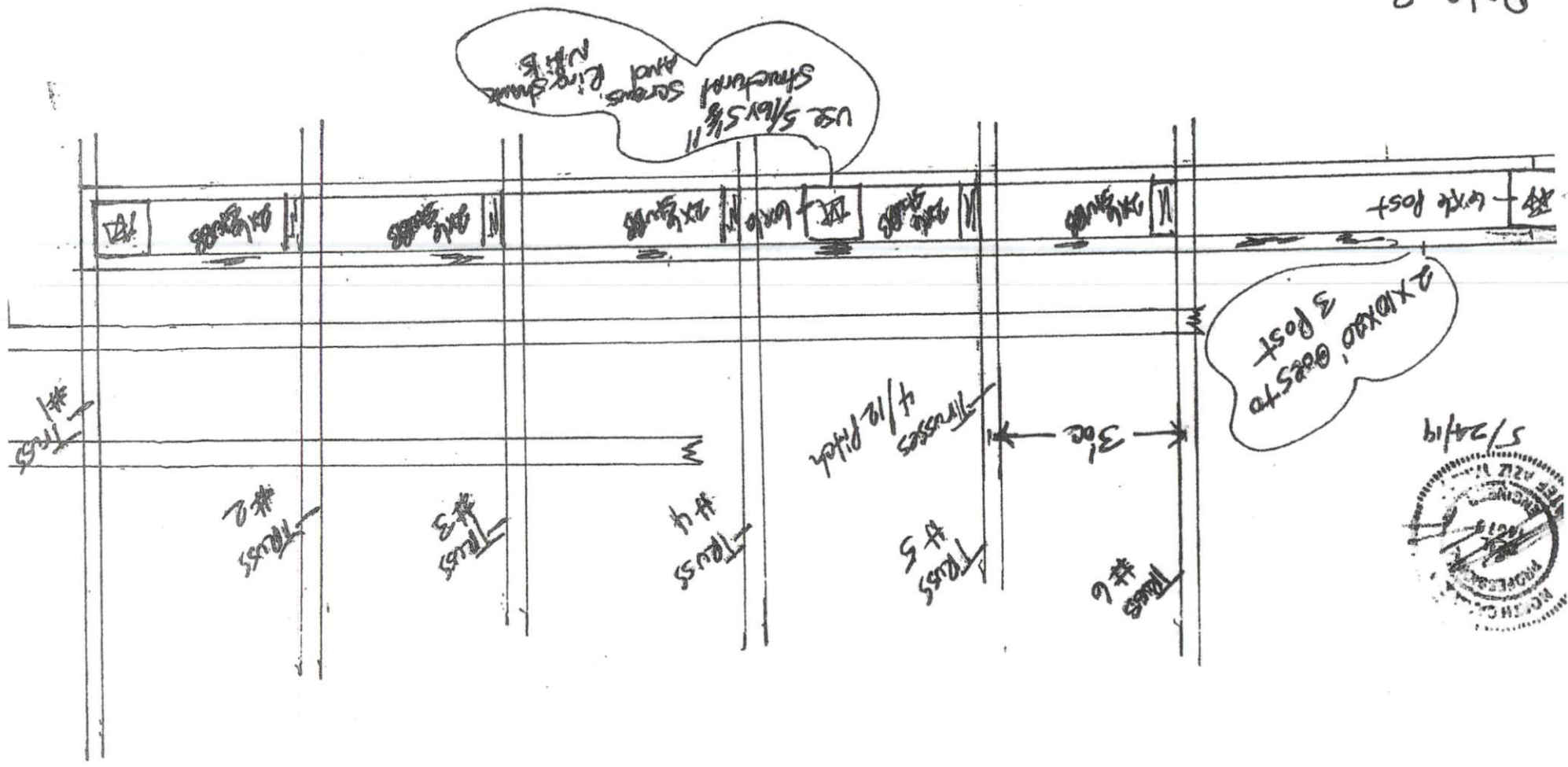
4# Concrete Pad 3500 PSI

12'

30'

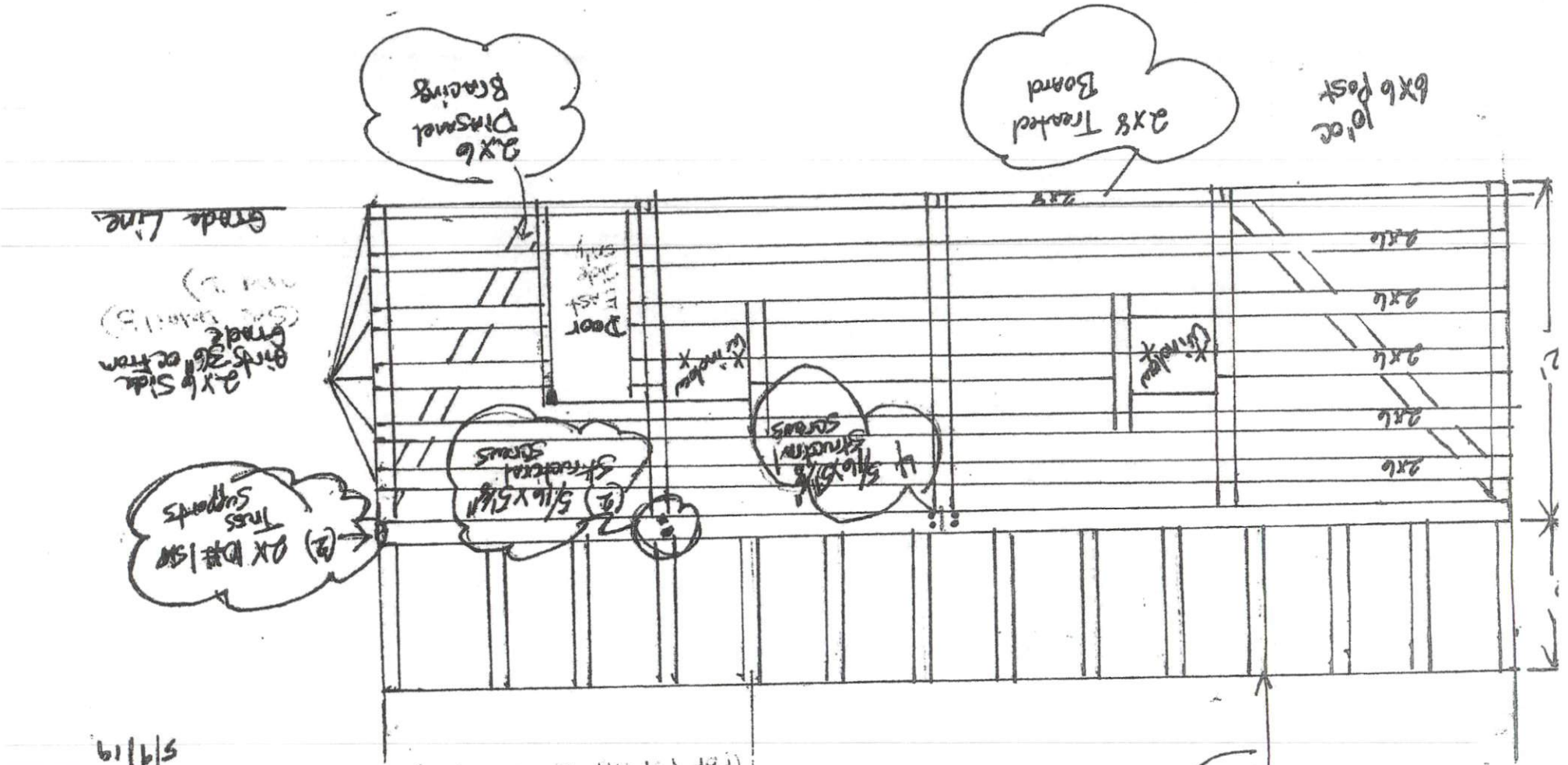
50'





Pole Barn

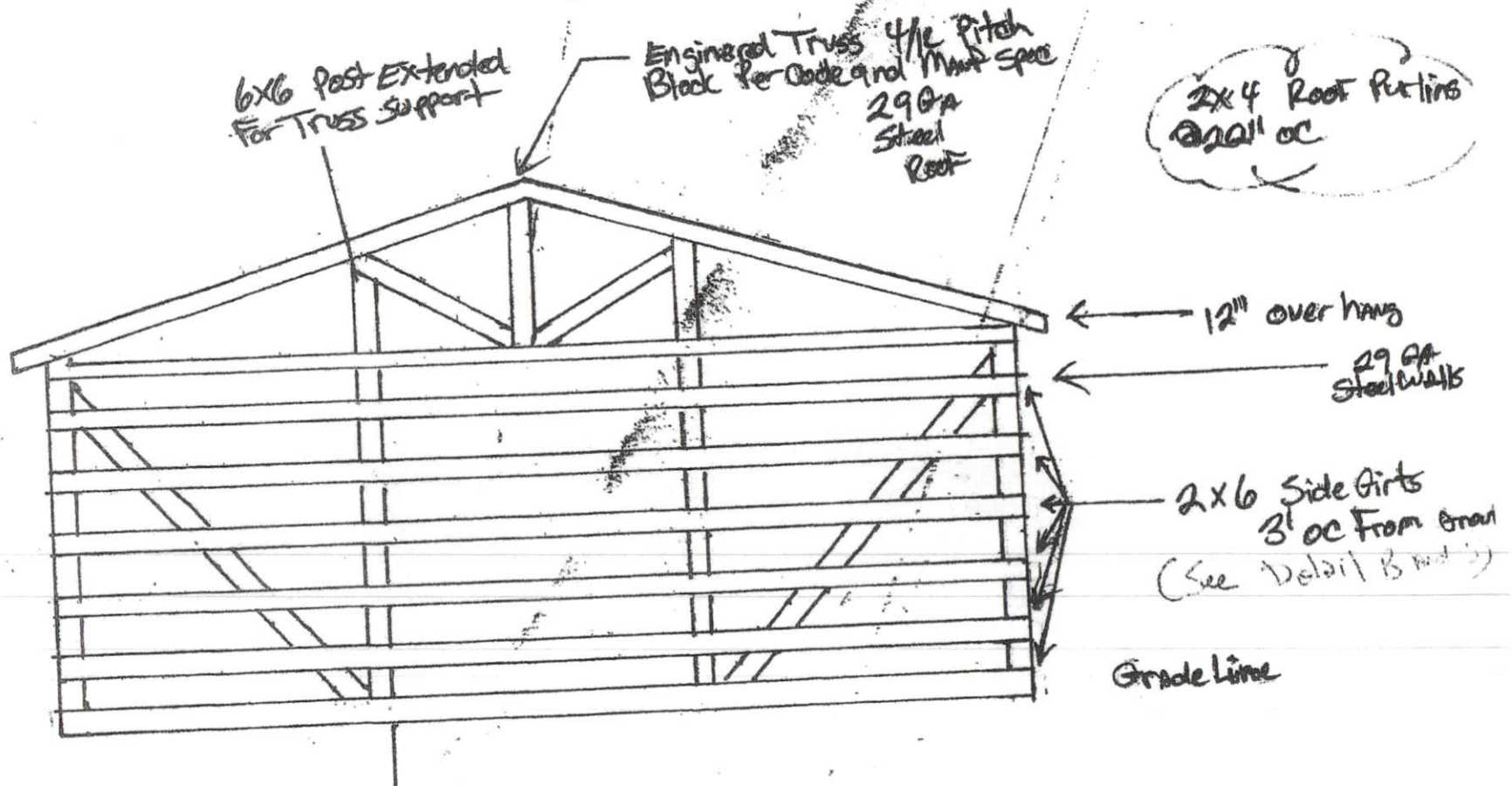
Pole Buildings



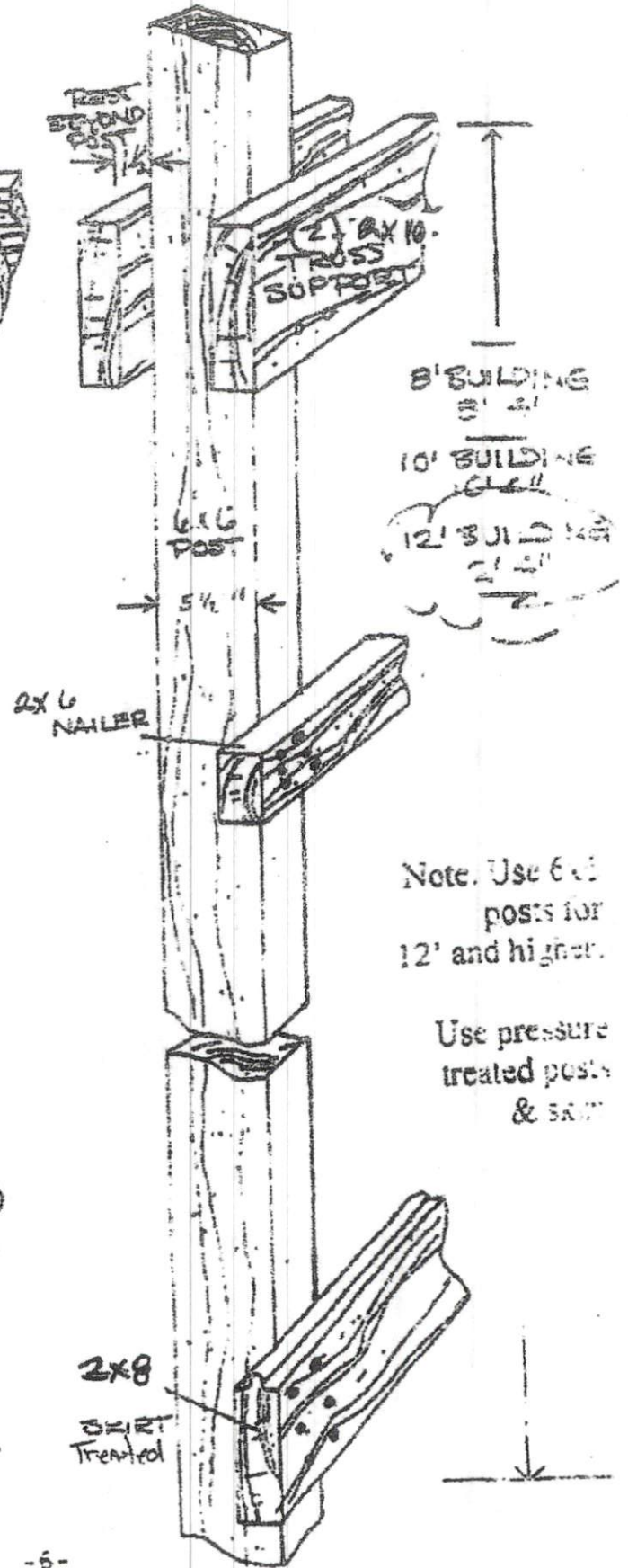
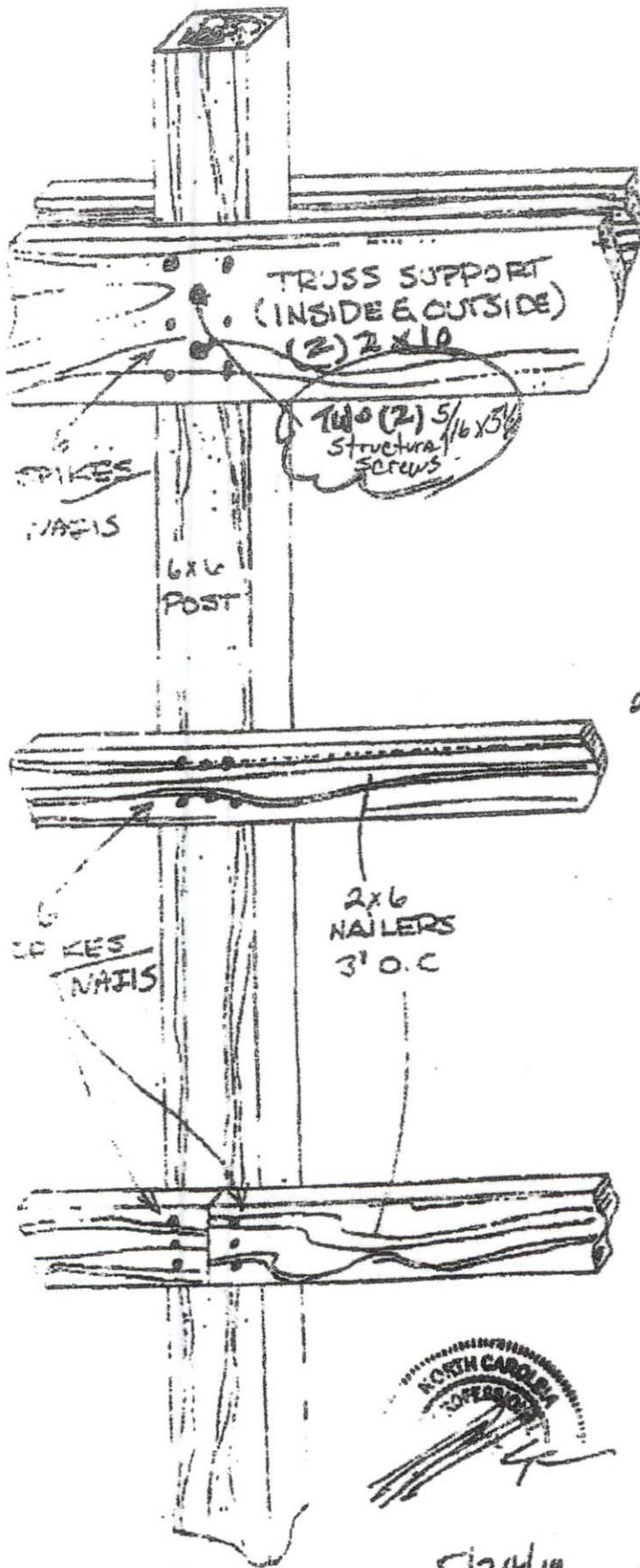
Engineered Roof Truss. All the pitch 3'0c
 Blank on table 2 Point Spc (see detail 6)
 For Part 1111 on detail 6)



Pole Buildings

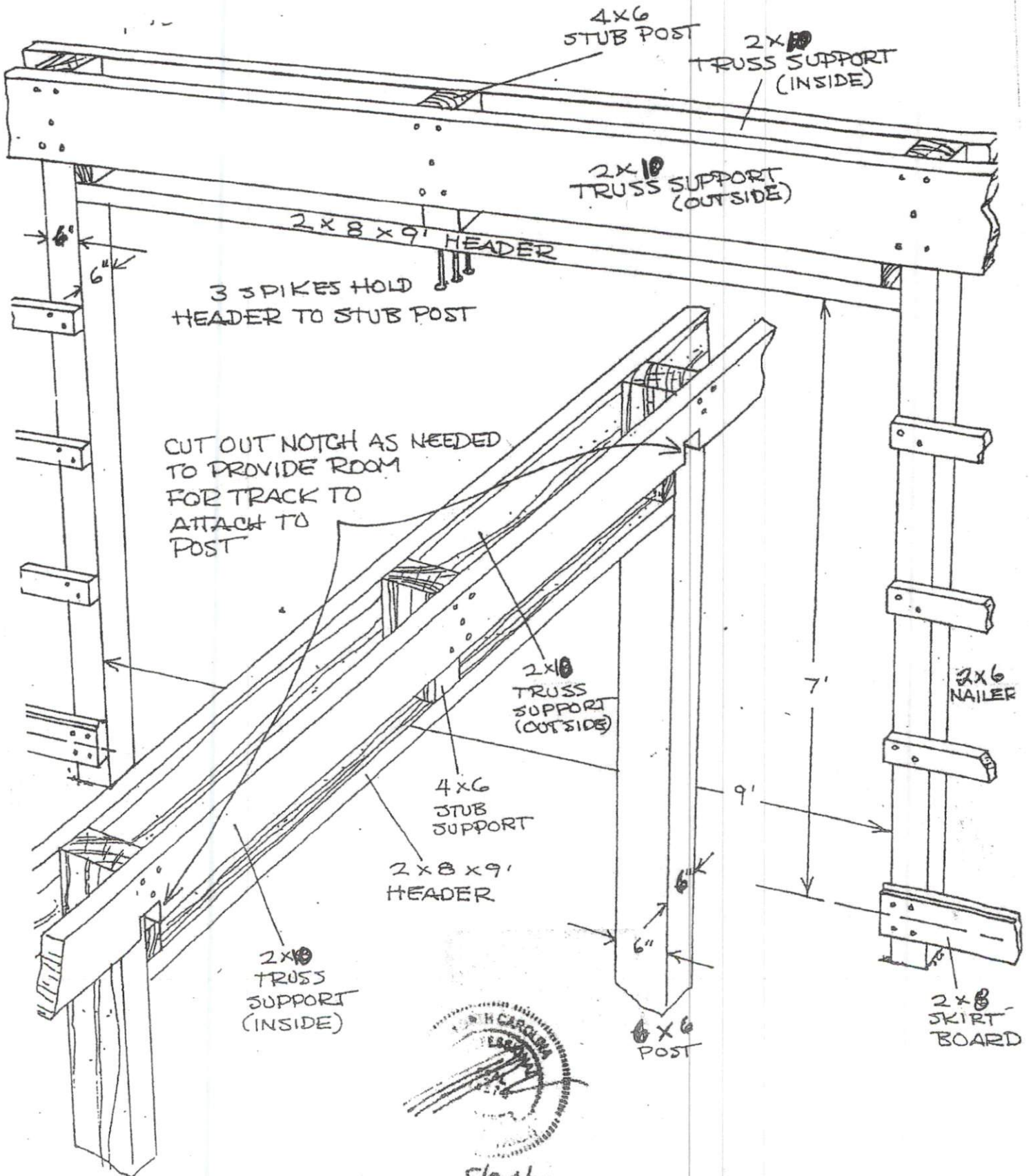


Thomas Pole Buildings.



5/24/19

OVERHEAD DOOR ON SIDE WALL



5/24/19