

Building Specs

Size: 30x70 Roof / 30x50 Shop

Height: 18' Peak

Side Walls: 12'

Doors: 1 - main Door / 1 - 12x12 / 1 - 10x10

Windows: 2 - 32" x 36"

Floor: 4" Concrete 3500 PSI

Roof Color: _____

Sides & Front Color: _____

Trim Color: _____

Misc: _____

12-20-2025

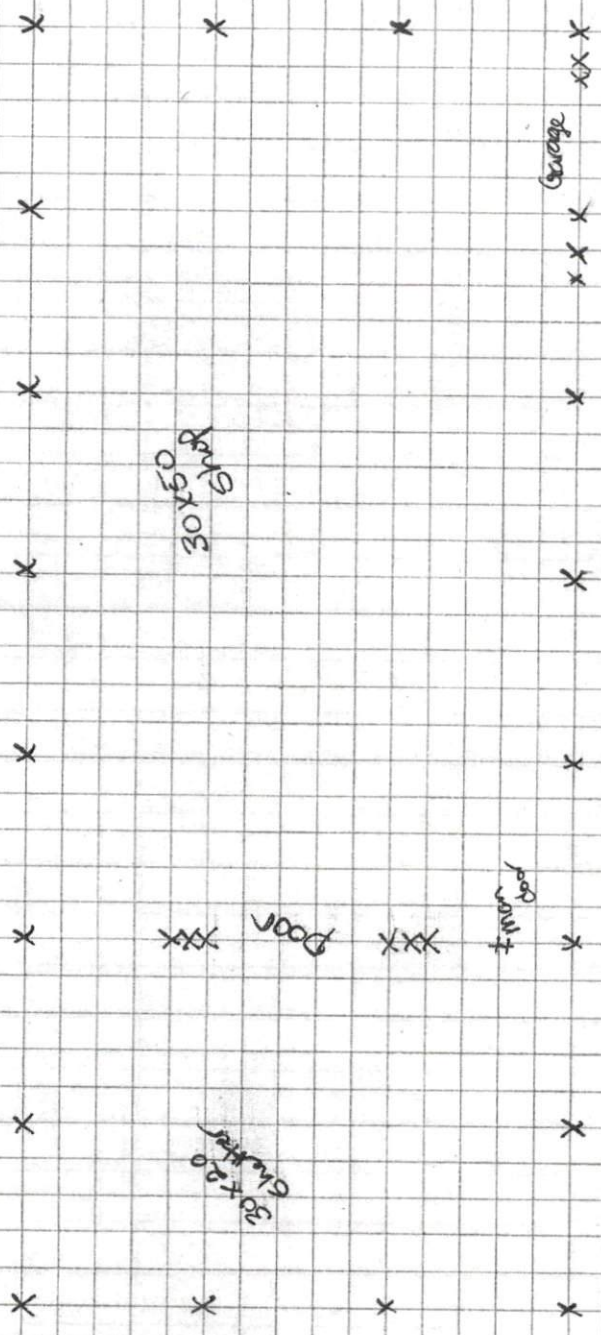
Greg Hobbs

30x70 Roof

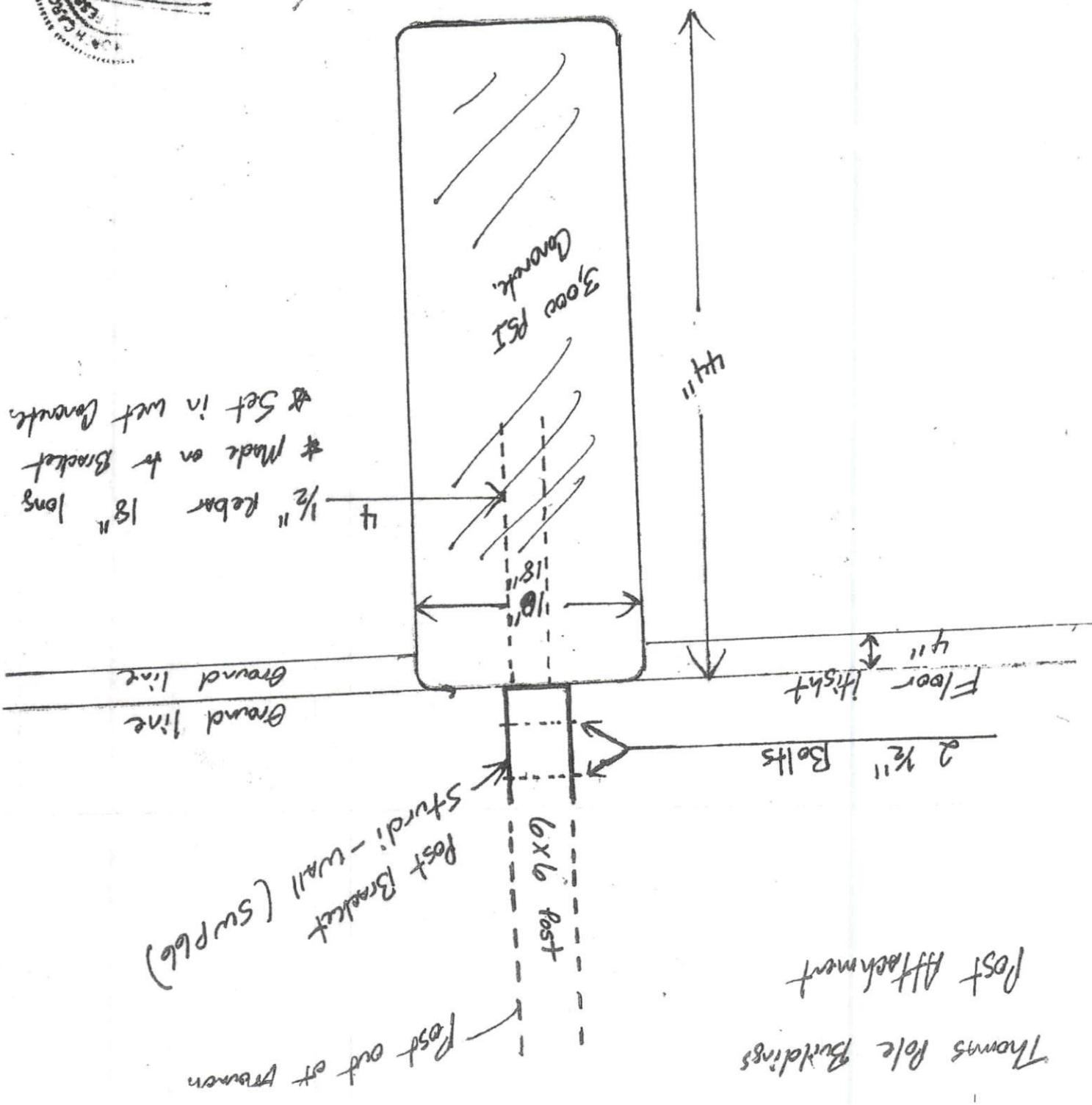
30x50 Shop

30x20 Shelter / Feed

- 1 12x12 Rollup Door
- 1 10x10 Rollup Door
- 1 Main Door
- 2 Windows



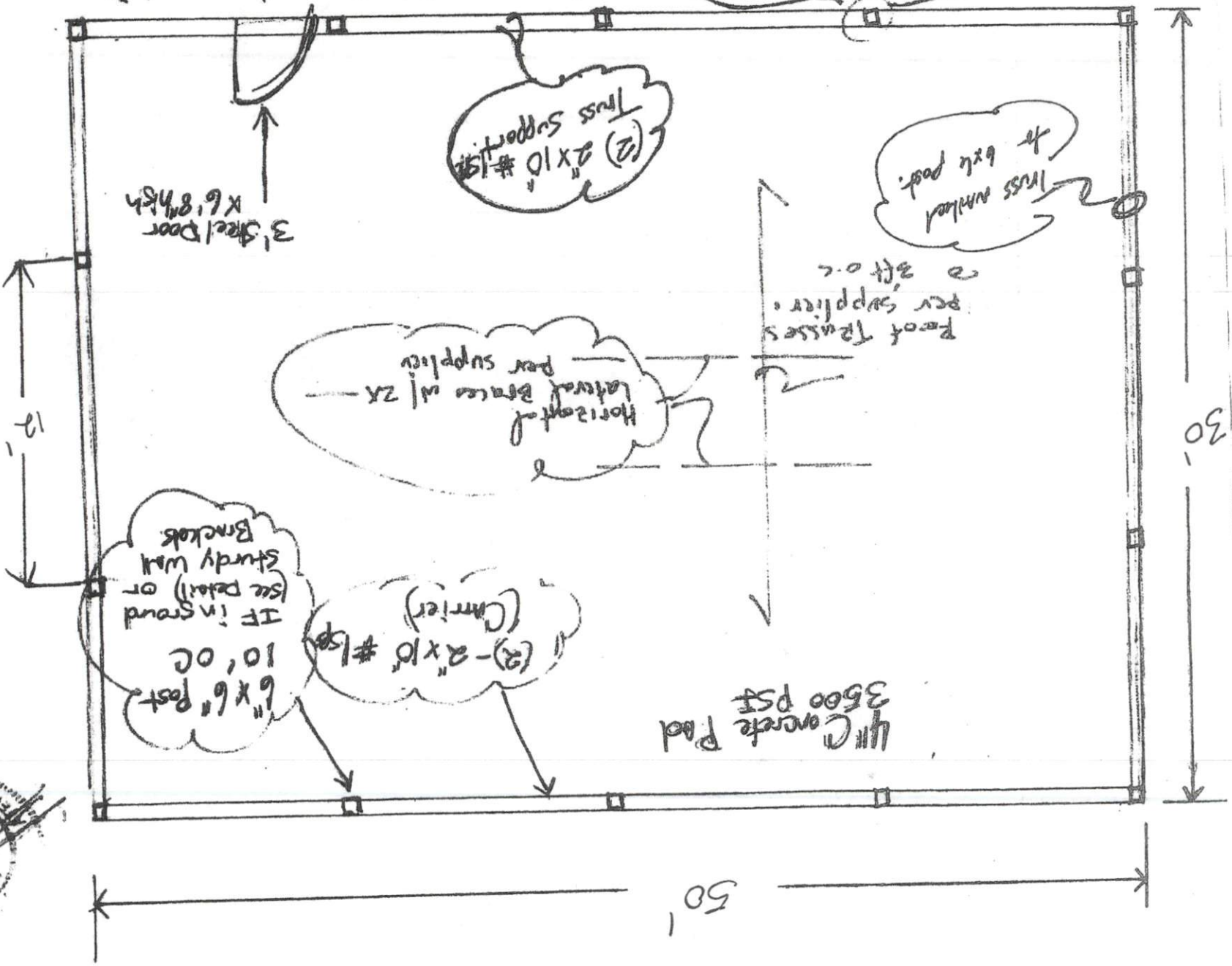
Greg Hobbs
 30 x 70 Roof
 30 x 60 Gump.
 30 x 80 Shlts on Front



Post Attachment
 Thomas Pole Buildings

Pole Barn designed for compliance with NEC 2018

USE (2) 5/16" X 5 1/2" Structural Steels



(2) 2" X 10" #15 Truss Support

Truss member to 6x6 post

Horizontal Lateral Bracing w/ 2x4

Roof Trusses per supplier 2 3ft OC

6" X 6" Post 10' OC IF in ground or sturdy wall with Brackets

(2)-2" X 10" #15 (Carrier)

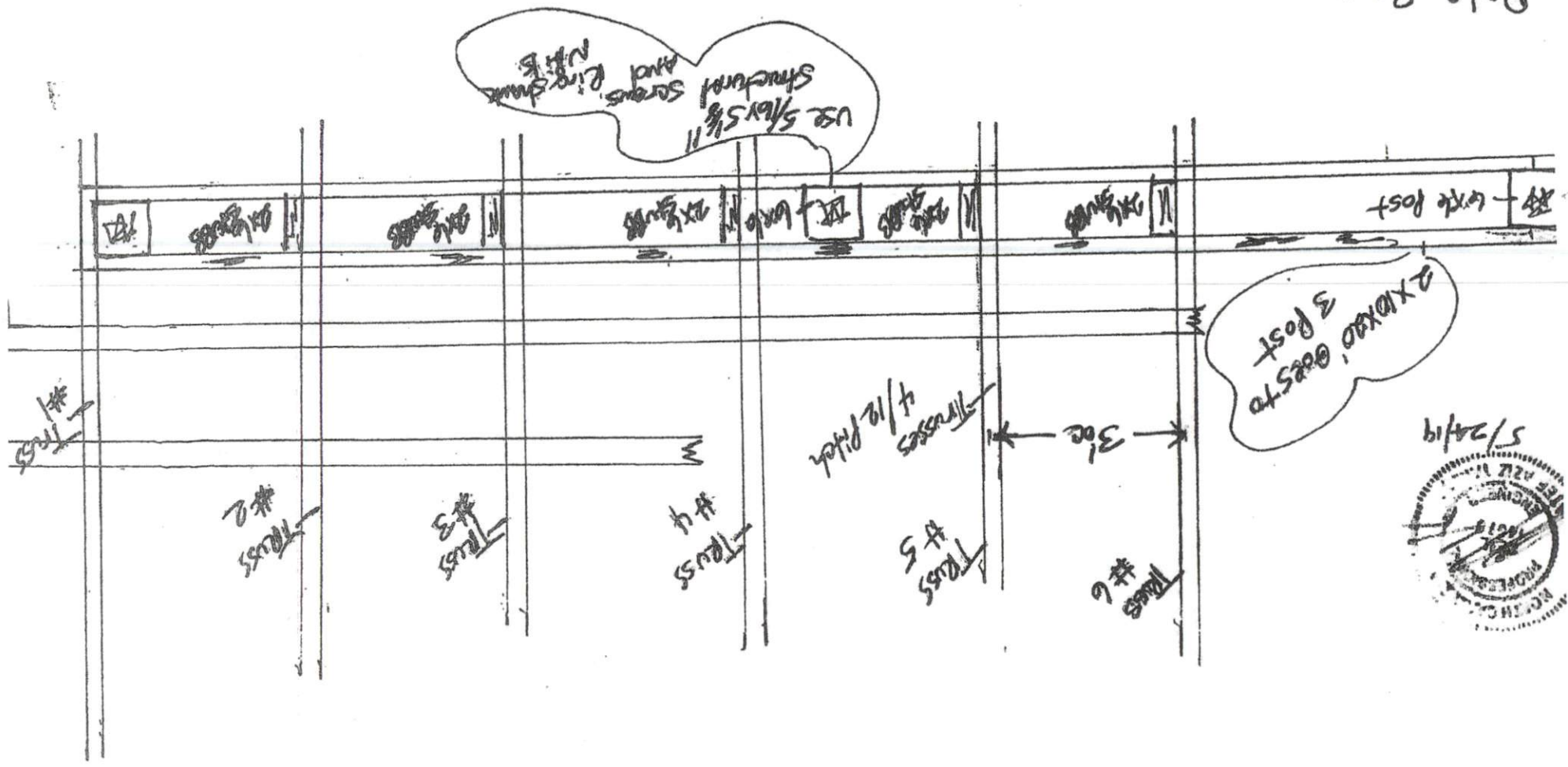
4" X 4" Concrete Pad 3500 PSI

12'

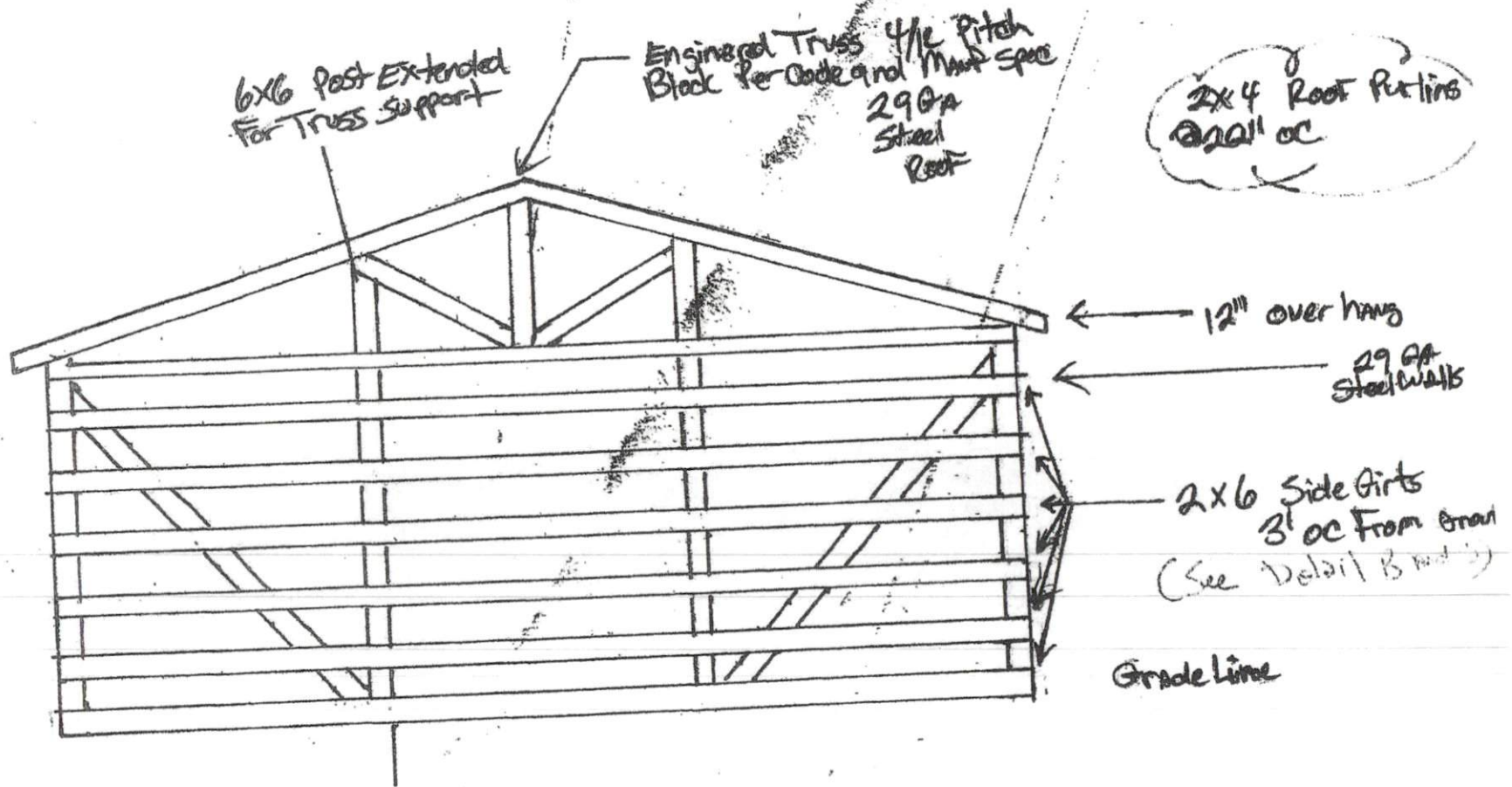
30'

50'

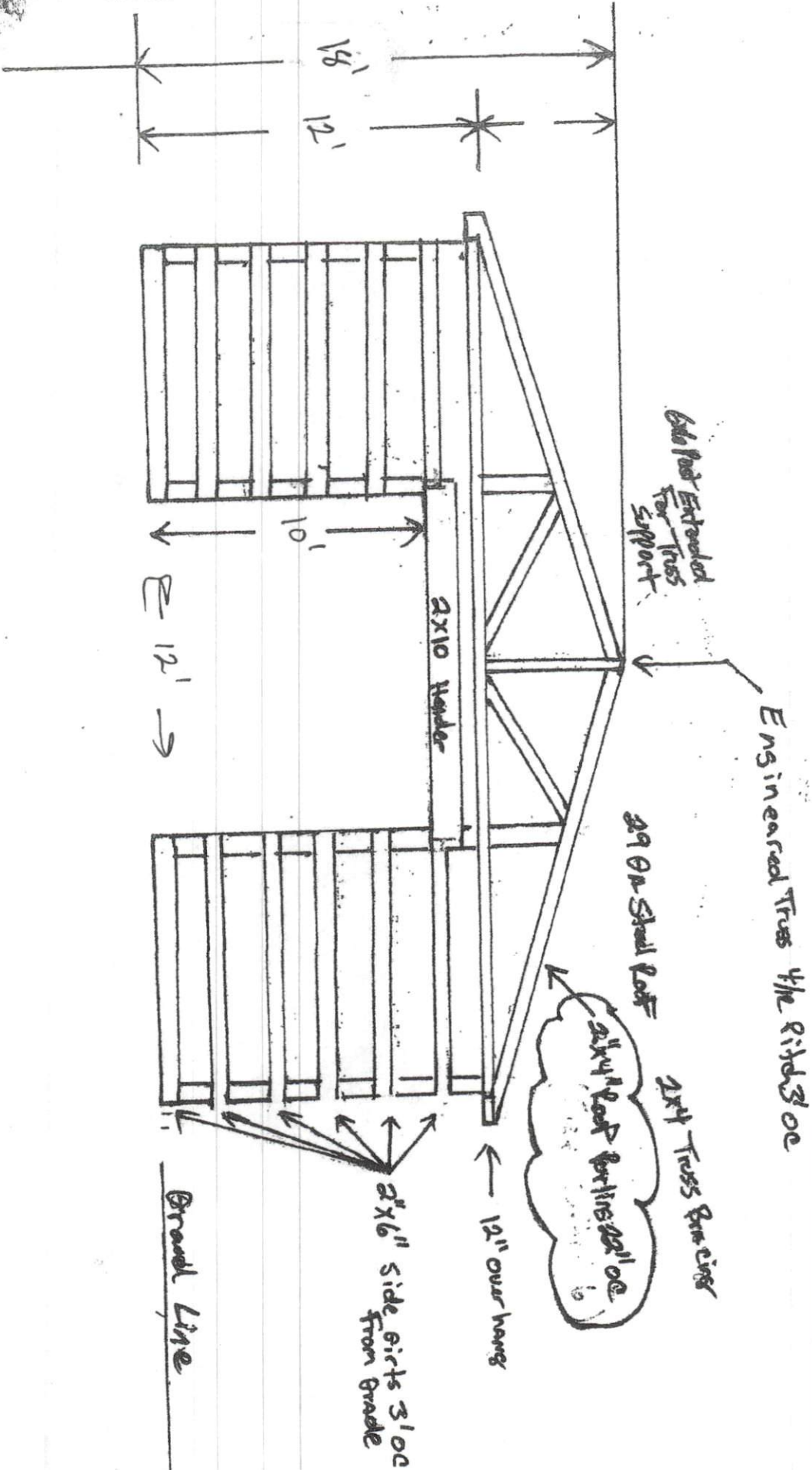




Pole Buildings

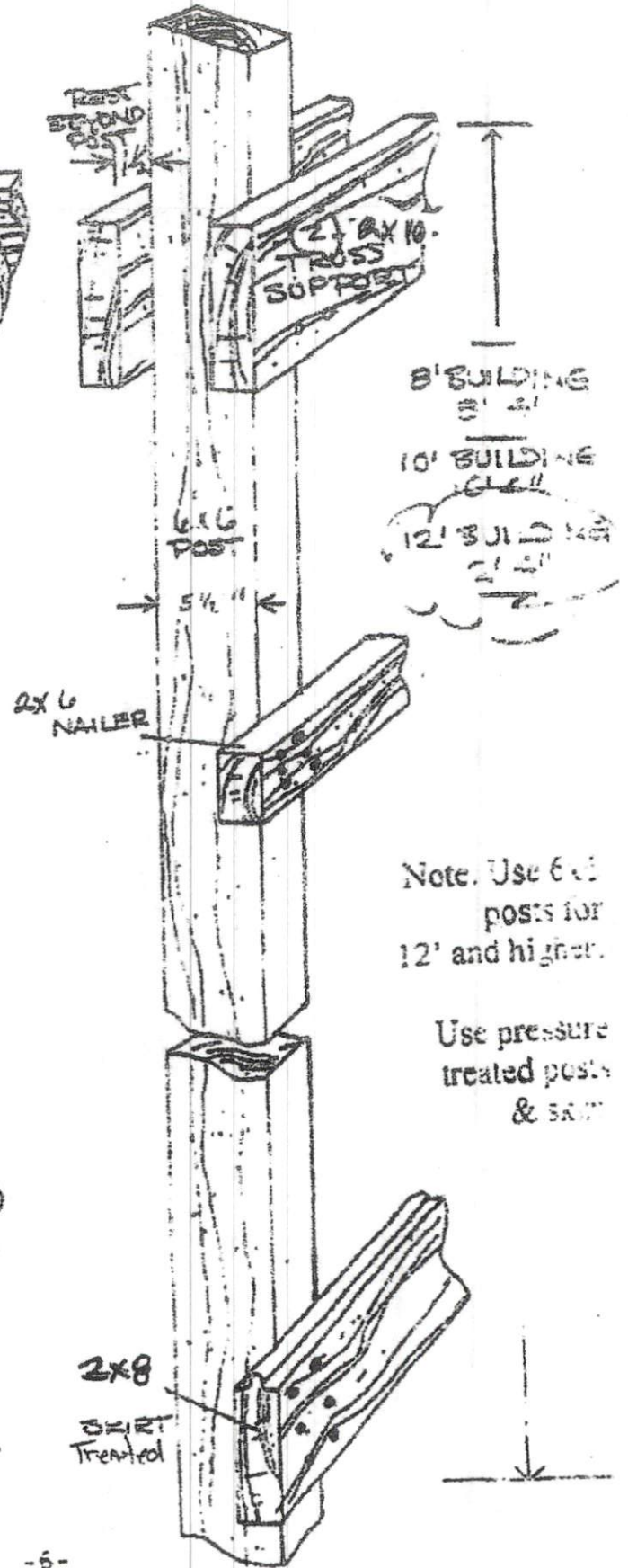
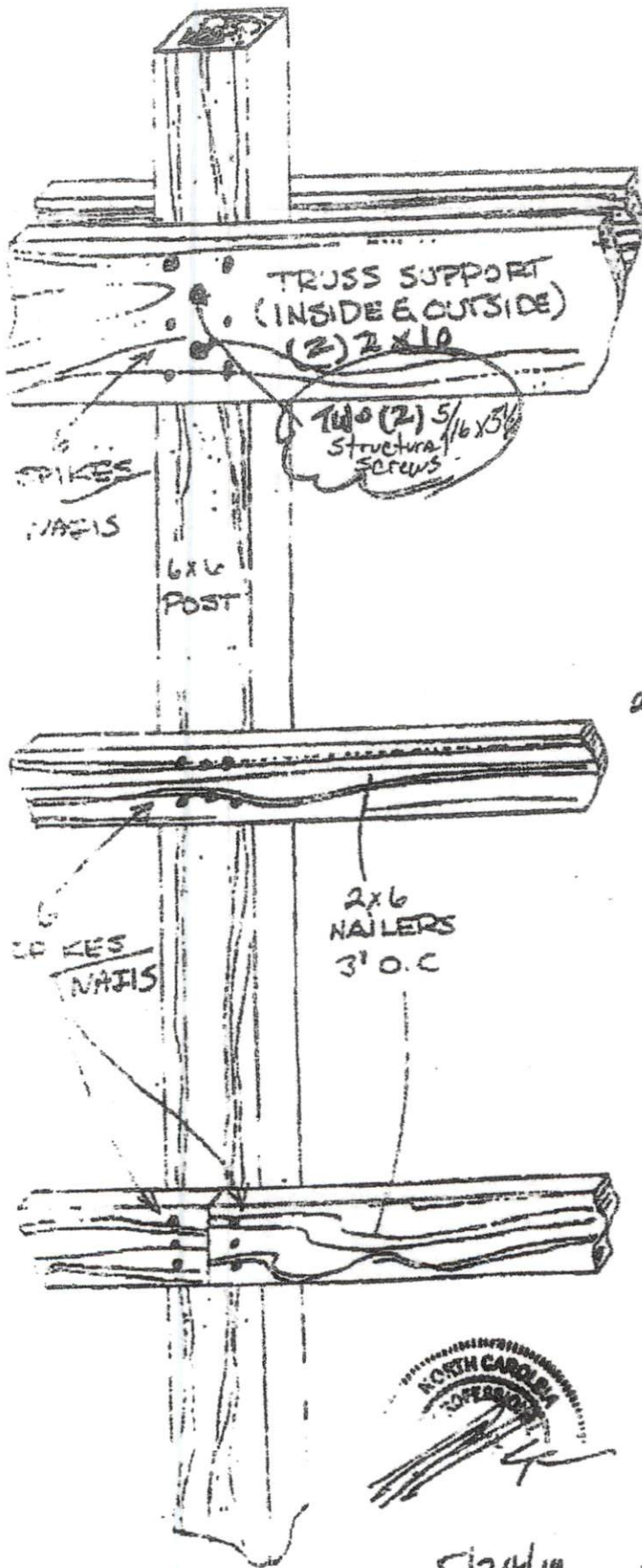


Buildings.



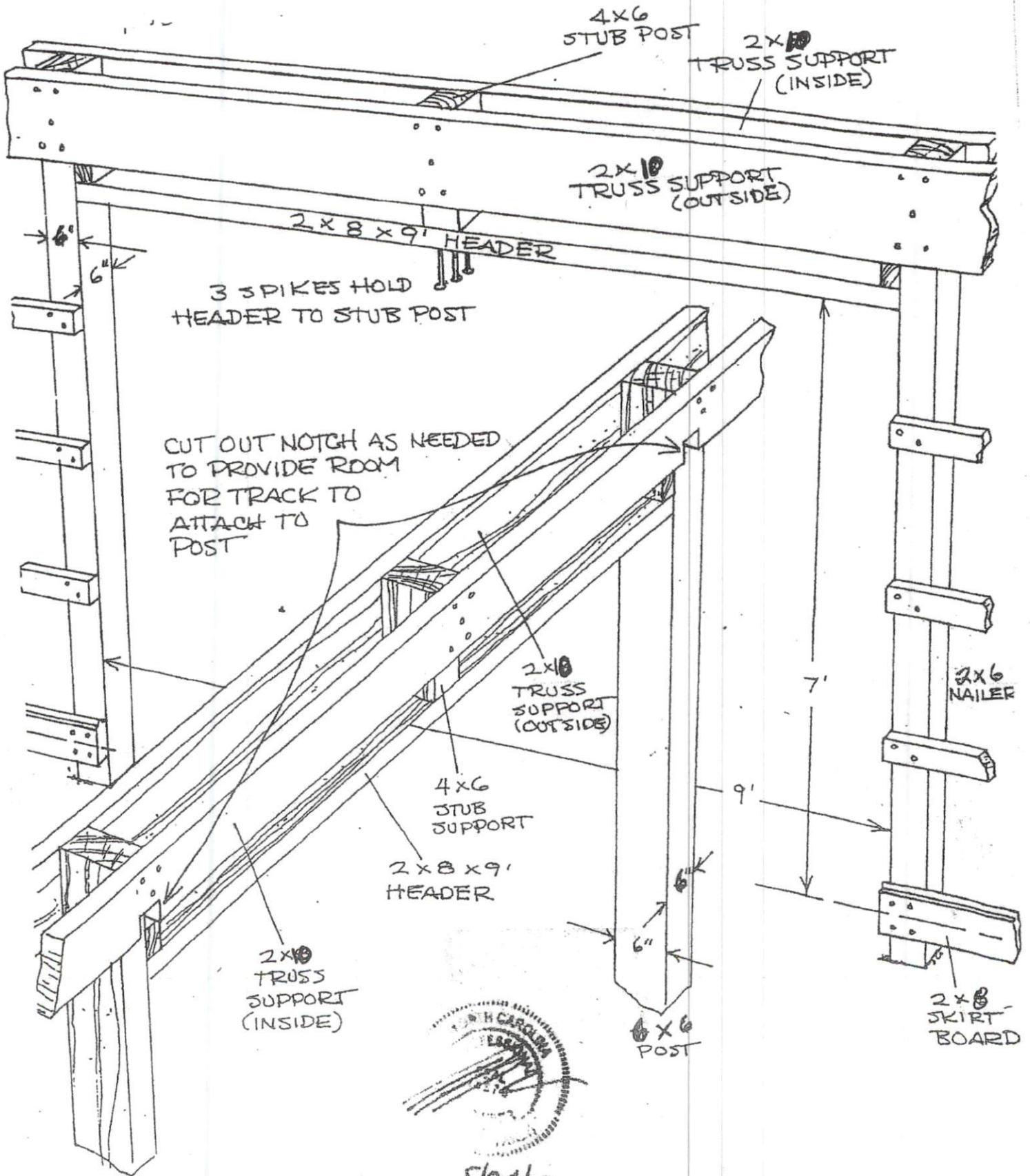
5/9/19

Thomas Pole Buildings.



5/24/19

OVERHEAD DOOR ON SIDE WALL



5/24/19