

GENERAL REQUIREMENTS

REFER TO SUBSEQUENT PLAN AND DETAIL NOTES FOR VARIATIONS AND REQUIREMENTS SPECIFIC TO REFERENCED PROJECT.

NOTES ON DRAWINGS TAKE PRECEDENCE OVER GENERAL STRUCTURAL NOTES.

DESIGN CRITERIA

BUILDING CODE CONFORMANCE (MEETS OR EXCEEDS REQUIREMENTS):

- 2015 INTERNATIONAL BUILDING CODE (IBC)
- 2015 INTERNATIONAL RESIDENTIAL CODE (IRC)
- 2018 NORTH CAROLINA BUILDING CODE (NCBC)
- 2018 NORTH CAROLINA RESIDENTIAL CODE (NCRC)

DEAD LOADS:

FLOOR DEAD LOAD 15 PSF
 INTERIOR WOOD WALL DEAD LOAD 9 PSF

LIVE LOADS:

FLOOR LIVE LOAD (RESIDENTIAL) 40 PSF

DESIGN CRITERIA (CONT.)

DEFLECTIONS:

TOTAL LOAD DEFLECTION LIMIT L/240
 LIVE LOAD DEFLECTION LIMIT L/360

REFERENCE STANDARDS:

CONFORM TO IBC CHAPTER 18 "SOILS & FOUNDATIONS"

DESIGN SOIL VALUES:

ALLOWABLE FOUNDATION PRESSURE (ASSUMED) 1500 PSF



EXPIRES: 12/31/21



GILBERT RESIDENCE
 FLOOR SUPPORT
 619 RAIFORD RD
 ERWIN, NC 28339

GENERAL NOTES

REVISIONS

PROJECT NO: SE21-044
 DESIGNED BY: DH
 DRAWN BY: DH
 CHECKED BY: JLD
 DATE: 02-16-2021

SHEET NO:
S1.1

FSI SMARTJACK SYSTEM INFO				
PART	DESCRIPTION	COMMENTS	MIN YIELD STRESS, F _y	MIN TENSILE STRESS, F _u
SJQ350T	ASTM A500 GRADE C HD GALV, PER ASTM 123, HSS 3 1/2x3 1/2x0.095"x'L' SQUARE TUBE		50 KSI	62 KSI
SJQ400B	ASTM A500 GRADE C HD GALV, PER ASTM 123, HSS 4x4x0.120"x'L' SQUARE TUBE		50 KSI	62 KSI
SJQ125ATR	ASTM A108 GRADE 1018 1 1/4"x0'-10" L THREADED ROD W/ WELDED HEAVY HEX NUT		54 KSI	64 KSI
SJQ350BP-A	ASTM A36 R 3/16"x12x1'-0" ASTM A36 BENT R0.120"	CRUSHED STONE FTG CONDITION PER PLAN	36 KSI 36 KSI	58 KSI 58 KSI
SJQ350TP-B	ASTM A36 0.120" BENT CAPTURE R ASTM A572 GRADE 50 R 3/4"x2 1/2x0'-4.13" ASTM A53 GRADE B 1 3/4"x1 3/8"x1 3/8" L CONFINING RING	STEEL BEAM U-BRACKET CONDITION	36 KSI 50 KSI	58 KSI 65 KSI
SJQ350TI	ASTM A36 BENT R0.120" ASTM A572 GRADE 50 R 3/4"x3.63x0'-3.63" W/ 1 1/4" Ø THREAD TAP		36 KSI 50 KSI	58 KSI 65 KSI

NOTE:

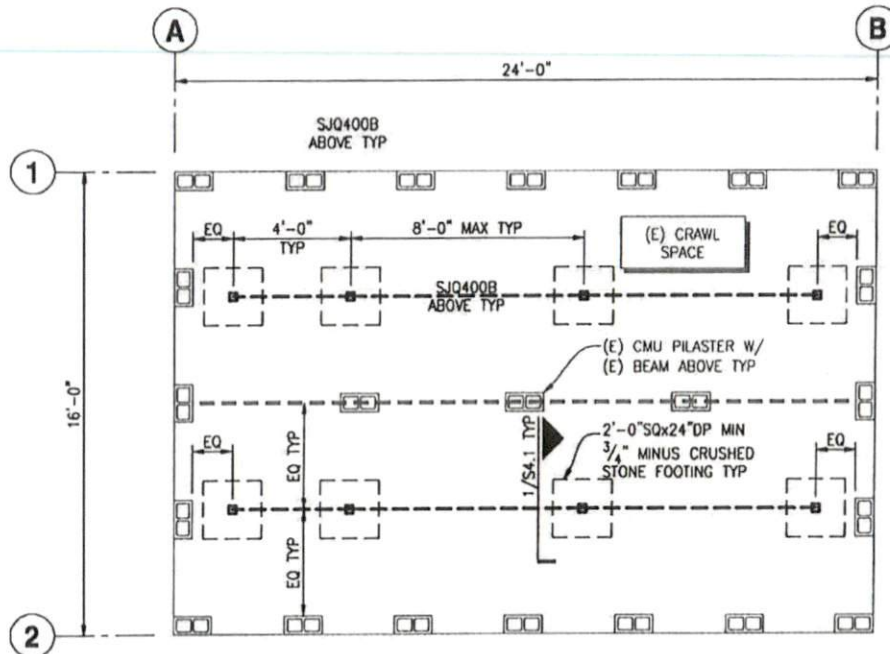
INSTALL PER MFR RECOMMENDATIONS



VICINITY MAP

SCALE: NTS





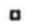


(E) FOUNDATION/(N) FLOOR JACK LAYOUT PLAN

SCALE: 1/4" = 1'-0"



(E) FOUNDATION/(N) FLOOR JACK LAYOUT PLAN NOTES:

1. REFERENCE S1.1 FOR GENERAL REQUIREMENTS
2. CONTRACTOR TO NOTIFY ENGINEER OF RECORD OF DISCREPANCIES BETWEEN FIELD CONDITIONS & THOSE SHOWN IN THESE DOCUMENTS PRIOR TO WORK TYP
3.  INDICATES (E) CMU PILASTER
4.  SECTION CUT - DETAIL NUMBER/SHEET NUMBER
5.  INDICATES LOCATION OF FSI SJQ350 SMARTJACK ((B) TOTAL) MAX LOAD TO SMARTJACK = 2,446 LBS
6. REPLACE "IN-KIND" ALL (E) WOOD MEMBERS (JOISTS, PURLINS, SUBPURLINS, SHEATHING, STUDS, WALL PLATES) WHICH SHOW SIGNS OF DRY ROT OR STRUCTURAL DAMAGE
7. ALL WOOD EXPOSED TO CONCRETE, WEATHER, OR WITHIN 6" OF FINISH GRADE SHALL BE PRESSURE-TREATED
8. CONTRACTOR SHALL NOT REMOVE ANY (E) POSTS OR PRE-CAST FOOTINGS SUPPORTING THE (E) FLOOR FRAMING
9. ALL FASTENERS AND HARDWARE IN CONTACT W/ PT WOOD, CONCRETE OR MASONRY SHALL BE HOT-DIPPED ZINC-COATED GALVANIZED STEEL OR STAINLESS STEEL
10. ALL CONSTRUCTION MATERIALS ON PLANS, ELEVATIONS & DETAILS ARE (N) UNO

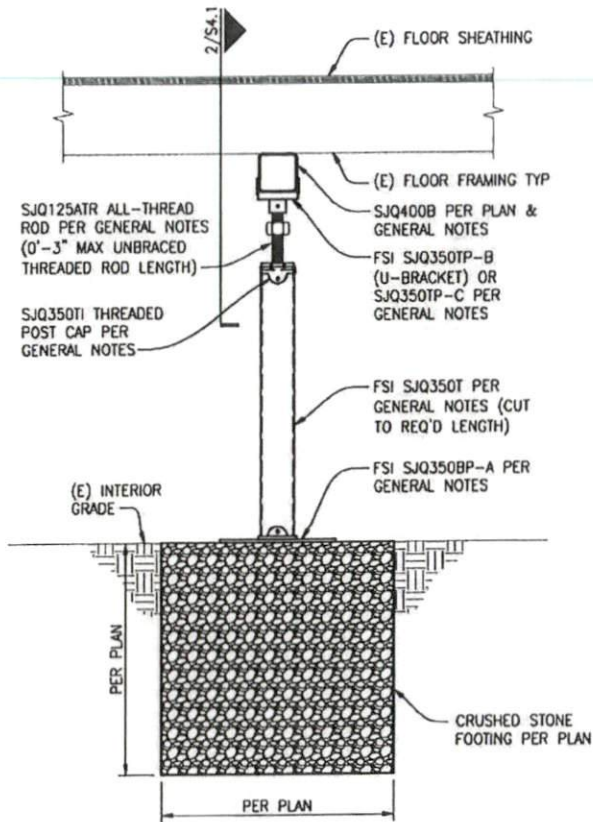
GILBERT RESIDENCE
FLOOR SUPPORT
 619 RAINFORD RD
 ERWIN, NC 28839

(E) FOUNDATION/
 (N) FLOOR JACK
 LAYOUT PLAN

REVISIONS

PROJECT NO:
 SE21-044
 DESIGNED BY:
 DH
 DRAWN BY:
 DH
 CHECKED BY:
 JLD
 DATE:
 02-16-2021

SHEET NO:
S2.1



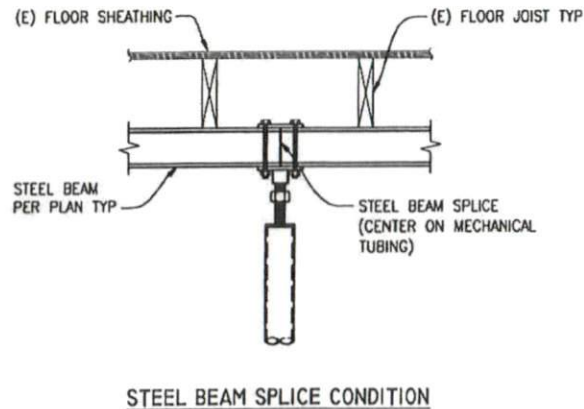
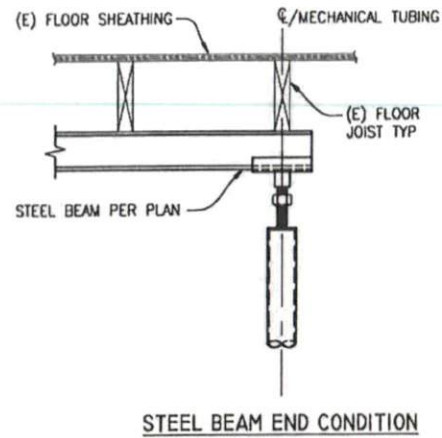
NOTES:

1. REF PLAN FOR LAYOUT & INSTALLATION REQ'S
2. INSTALL PER MFR RECOMMENDATIONS

FSI SMARTJACK IN CRAWLSPACE

SCALE: 1"=1'-0"

1



NOTE:

REF 1/S4.1 FOR CALLOUTS IN COMMON

(N) SMARTJACK W/ SUPPLEMENTAL BEAM

SCALE: 1"=1'-0"

2



EXPIRES: 12/31/21



GILBERT RESIDENCE
FLOOR SUPPORT
 619 RAIFFORD RD
 ERWIN, NC 28839

FLOOR JACK
 DETAILS

REVISIONS

PROJECT NO:
 SE21-044
 DESIGNED BY:
 DH
 DRAWN BY:
 JLD
 CHECKED BY:
 JLD
 DATE:
 02-16-2021

SHEET NO:

S4.1