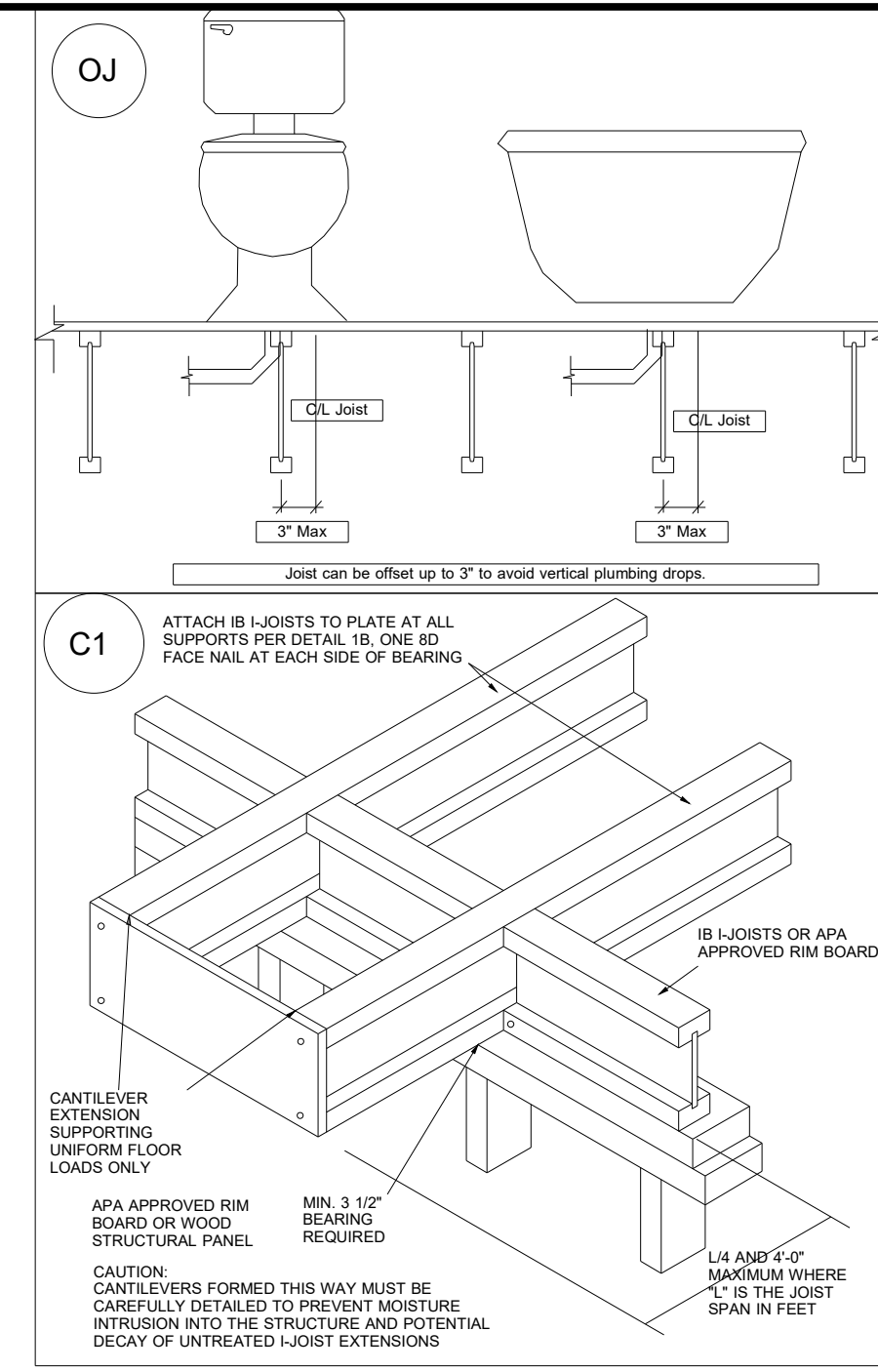


Products					
PlotID	Length	Product	Plies	Net Qty	Fab Type
FB8-3	26' 0"	2.0 RigidLam DF LVL 1-3/4 x 16	3	3	FF
FB10-3	16' 0"	2.0 RigidLam DF LVL 1-3/4 x 16	3	3	FF
FB9-3	16' 0"	2.0 RigidLam DF LVL 1-3/4 x 16	3	3	FF

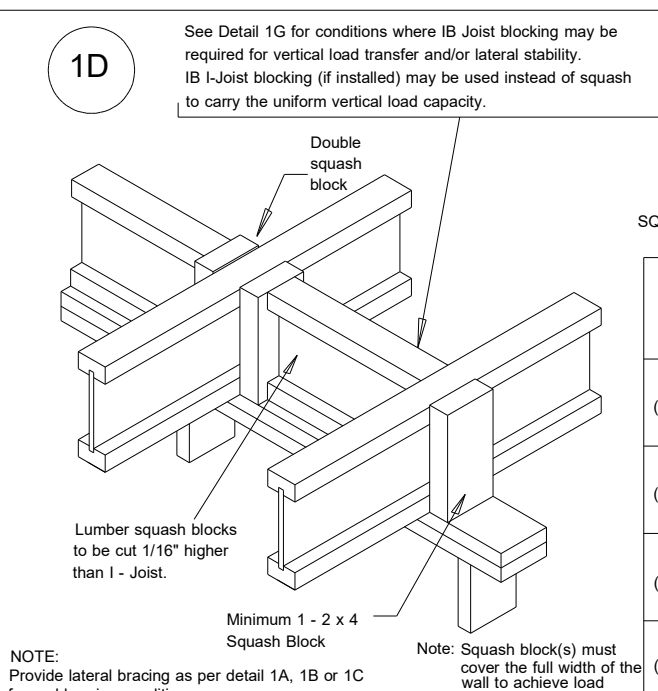
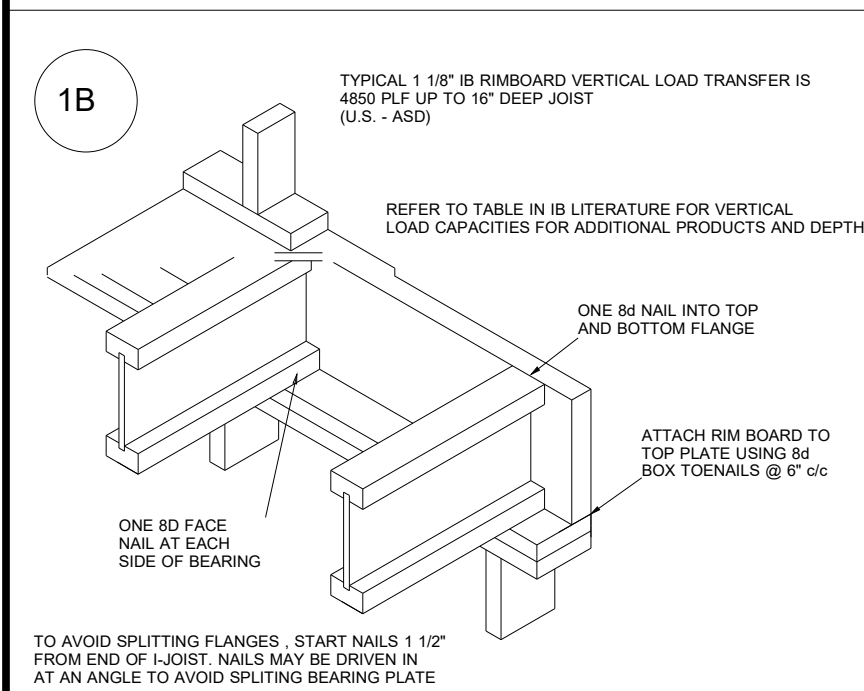
Connector Summary		
Qty	Manuf	Product
2	Simpson	HGUS5.50/14



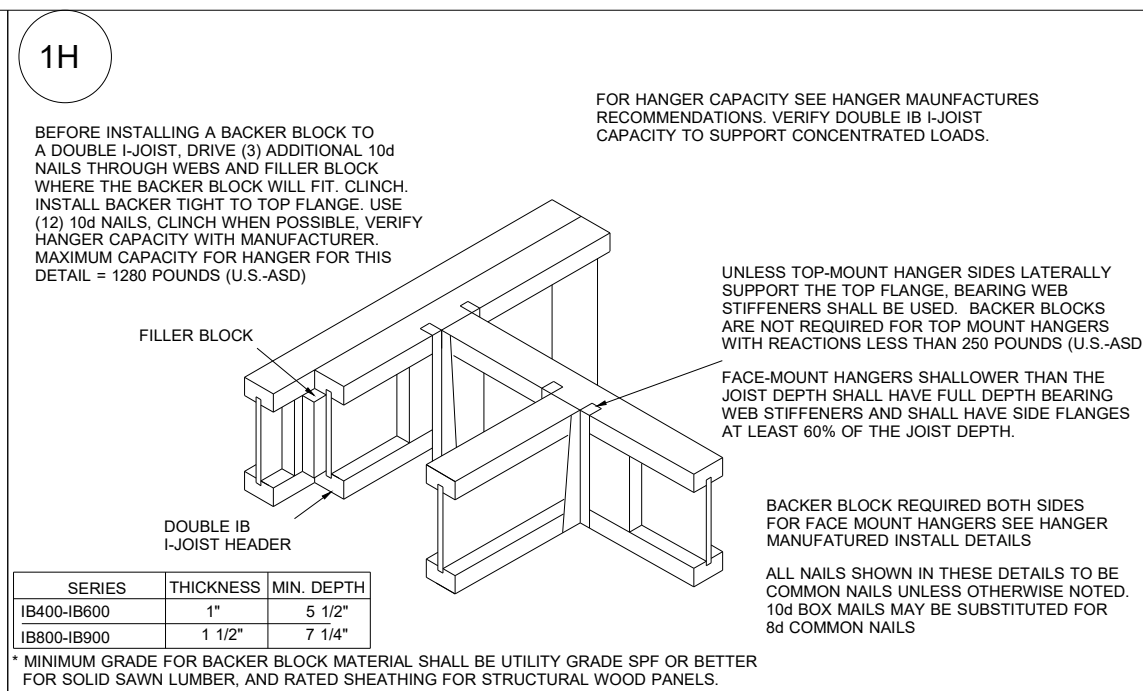
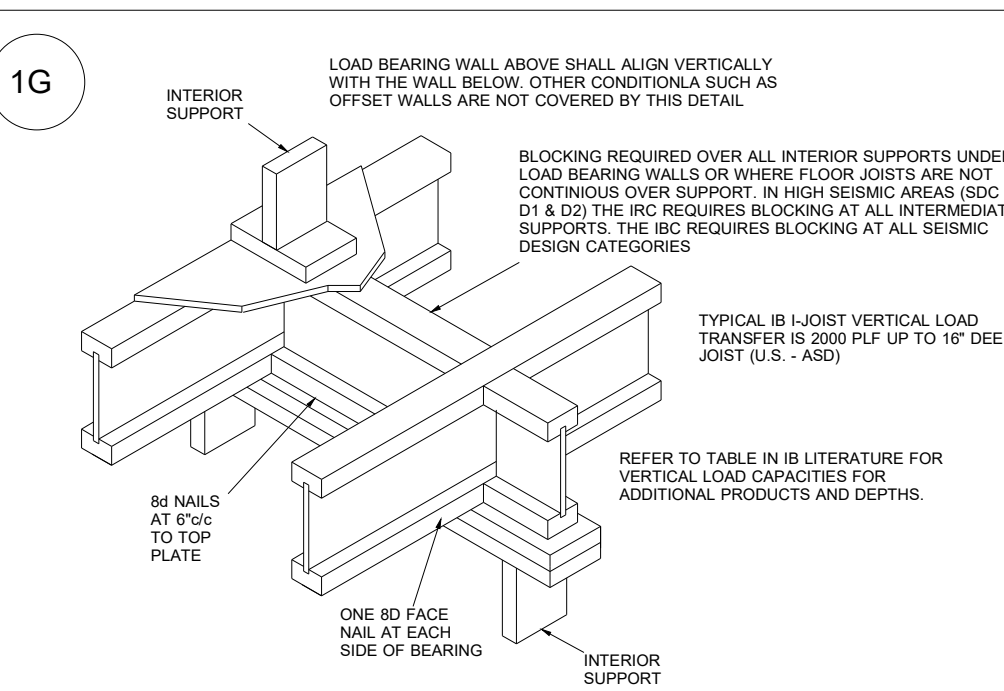
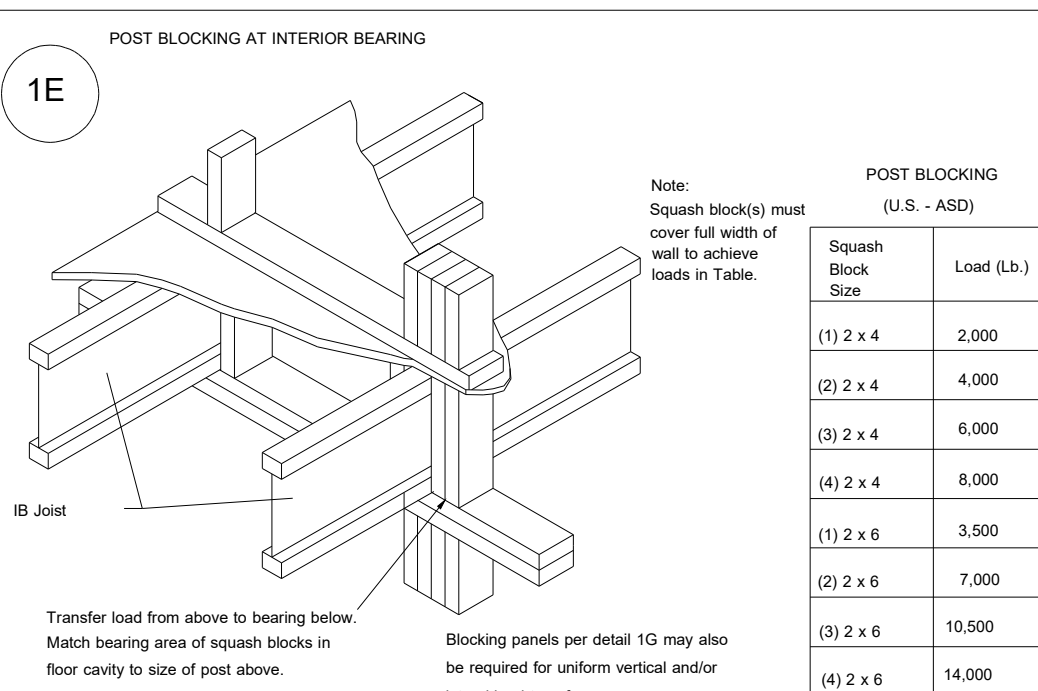
BLOCK SOLID UNDER ALL POST /POINT LOADS FROM ABOVE - TYPICAL AT ALL LOCATIONS

2nd Floor LVL

DRAWING SCALE : NTS



SQUASH BLOCKS FOR VERTICAL WALL LOAD (U.S. - ASD)			
Squash Block Size	I-Joist Spacing (Inch o.c.)	Vertical Uniform Wall Load Capacity (PLF)	Vertical Load Capacity (pounds)
(1) 2 x 4	12	2000	2000
	16	1500	
	19.2	1350	
	24	1000	
(2) 2 x 4	12	4000	4000
	16	3000	
	19.2	2500	
	24	2000	
(1) 2 x 6	12	3500	3500
	16	2625	
	19.2	2188	
	24	1750	
(2) 2 x 6	12	7000	7000
	16	5250	
	19.2	4375	
	24	3500	



BBO = Beam by Others
PBO = Post by Others
GBO = Girder by Others
J = I-Joist
FB = Flush Beam
DB = Dropped Beam
BP = Blocking Panels
SB = Squash Blocks



Mabus Farm & GC LLC
1125 Cypress (Marshall)
2nd FLOOR LVL PLACEMENT PLAN

REVISIONS	
DATE	BY
11.11.21	RKW

PROJECT NUMBER
21090035
 SHEET NUMBER
1 / 1