



1. **GENERAL STRUCTURAL NOTES:**
REFER TO SUBSEQUENT PLAN AND DETAIL NOTES FOR VARIATIONS AND REQUIREMENTS SPECIFIC TO REFERENCED PROJECT.
2. **DESIGN CRITERIA:**
BUILDING CODE CONFORMANCE (MEETS OR EXCEEDS REQUIREMENTS):
2015 INTERNATIONAL BUILDING CODE (IBC)
2015 INTERNATIONAL RESIDENTIAL CODE (IRC)
2018 NORTH CAROLINA BUILDING CODE
2018 NORTH CAROLINA RESIDENTIAL CODE

- DEAD LOADS:**
FLOOR DEAD LOAD 15 PSF
INTERIOR WALL DEAD LOAD 9 PSF
- LIVE LOADS:**
FLOOR LIVE LOAD (RESIDENTIAL) 40 PSF
- SOIL PARAMETERS:**
REFERENCE STANDARDS CONFORM TO IBC CHAPTER 18 "SOILS & FOUNDATIONS"
ALLOWABLE FOUNDATION PRESSURE (ASSUMED) 1500 PSF
- DEFLECTIONS:**
TOTAL LOAD DEFLECTION LIMIT L/240
LIVE LOAD DEFLECTION LIMIT L/360



VICINITY MAP
SCALE: NTS



FSI SMARTJACK SYSTEM INFO				
PART	DESCRIPTION	COMMENTS	MIN YIELD STRESS, F _y	MIN TENSILE STRESS, F _u
SJQ350T	ASTM A500 GRADE C HD GALV, PER ASTM 123, HSS 3 1/2 x 3 1/2 x 0.095" x L' SQUARE TUBE		50 KSI	62 KSI
SJQ400B	ASTM A500 GRADE C HD GALV, PER ASTM 123, HSS 4 x 4 x 0.120" x L' SQUARE TUBE	SUPPLEMENTAL BEAM	50 KSI	62 KSI
SJQ125ATR	ASTM A108 GRADE 1018 1 1/4" x 0' - 10' L THREADED ROD W/ WELDED HEAVY HEX NUT		54 KSI	64 KSI
SJQ350BP-A	ASTM A36 R 5/16" x 12 x 1' - 0" ASTM A36 BENT R 0.120"	CRUSHED STONE FTG CONDITION PER PLAN	36 KSI 36 KSI	58 KSI 58 KSI
SJQ350TP-B	ASTM A36 0.120" BENT CAPTURE R ASTM A572 GRADE 50 R 3/4" x 2 1/2 x 0' - 4.13" ASTM A53 GRADE B 1 3/4" x 1/4" x 1 3/8" L CONFINING RING	STEEL BEAM U-BRACKET CONDITION	36 KSI 50 KSI 35 KSI	58 KSI 65 KSI 60 KSI
SJQ350TI	ASTM A36 BENT R 0.120" ASTM A572 GRADE 50 R 3/4" x 3.63 x 0' - 3.63" W/ 1 1/4" x 0' THREAD TAP		36 KSI 50 KSI	58 KSI 65 KSI

NOTE:
INSTALL PER MFR RECOMMENDATIONS

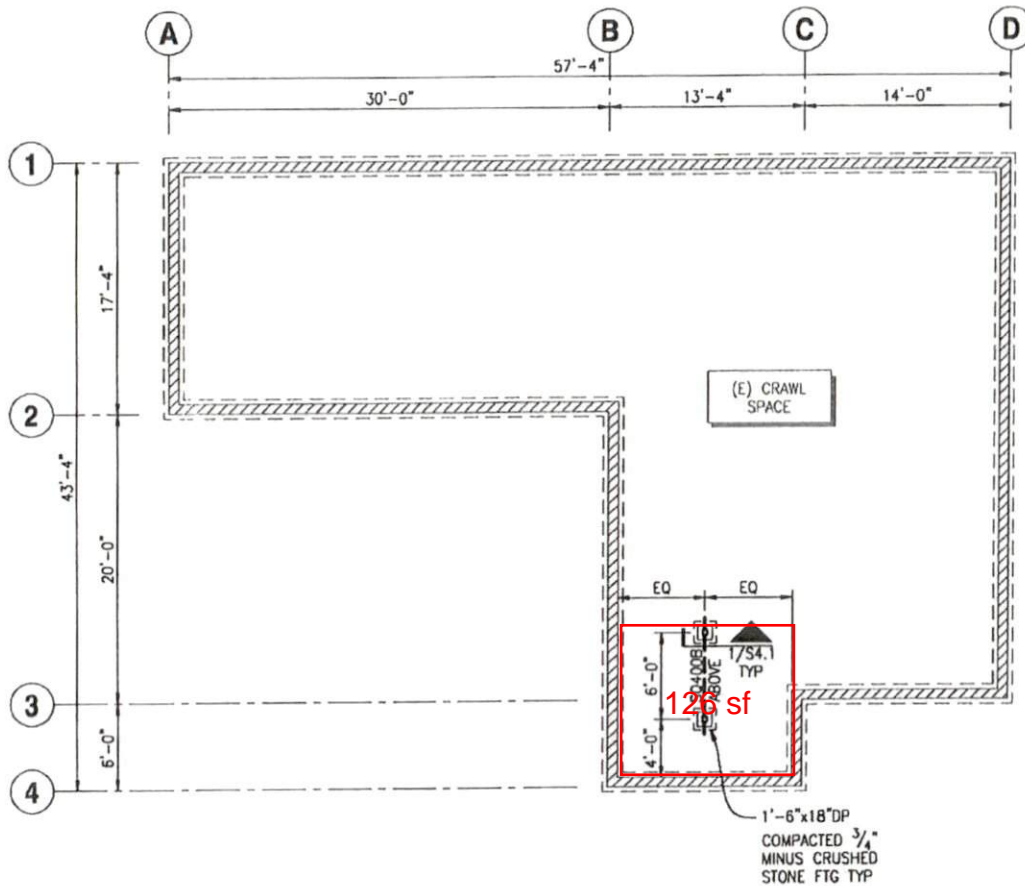
WON RESIDENCE FLOOR SUPPORT
39 KITTERY POINT
SANFORD, NC 27332

GENERAL NOTES

REVISIONS

PROJECT NO: SE20-183
DESIGNED BY: JN
DRAWN BY: JN
CHECKED BY: CAF, JLD
DATE: 01-11-2021

SHEET NO:
S1.1



(E) FOUNDATION/(N) SMARTJACK LAYOUT PLAN

SCALE: 1/8"=1'-0"



(E) FOUNDATION/(N) SMARTJACK LAYOUT PLAN NOTES:

1. REFERENCE S1.1 FOR GENERAL REQUIREMENTS
2. CONTRACTOR TO NOTIFY ENGINEER OF RECORD OF DISCREPANCIES BETWEEN FIELD CONDITIONS & THOSE SHOWN IN THESE DOCUMENTS PRIOR TO WORK TYP
3. INDICATES (E) CMU STEMWALL ON (E) CONC FOOTING
4. SECTION CUT - DETAIL NUMBER/SHEET NUMBER
5. INDICATES LOCATION OF FSI SJQ350 SMARTJACK ((2) TOTAL) MAX LOAD TO SMARTJACK = 1,582 LBS
6. SMARTJACK SPACING SHALL BE AS INDICATED ON PLAN (6'-0" OC MAX) UNO
7. REPLACE "IN-KIND" ALL (E) WOOD MEMBERS (JOISTS, PURLINS, SUBPURLINS, SHEATHING, STUDS, WALL PLATES) WHICH SHOW SIGNS OF DRY ROT OR STRUCTURAL DAMAGE
8. ALL WOOD EXPOSED TO CONCRETE, WEATHER, OR WITHIN 6" OF FINISH GRADE SHALL BE PRESSURE-TREATED
9. CONTRACTOR SHALL NOT REMOVE ANY (E) POSTS OR PRE-CAST FOOTINGS SUPPORTING THE (E) FLOOR FRAMING
10. ALL FASTENERS AND HARDWARE IN CONTACT W/ PT WOOD, CONCRETE OR MASONRY SHALL BE HOT-DIPPED ZINC-COATED GALVANIZED STEEL OR STAINLESS STEEL
11. ALL CONSTRUCTION MATERIALS ON PLANS, ELEVATIONS & DETAILS ARE (N) UNO

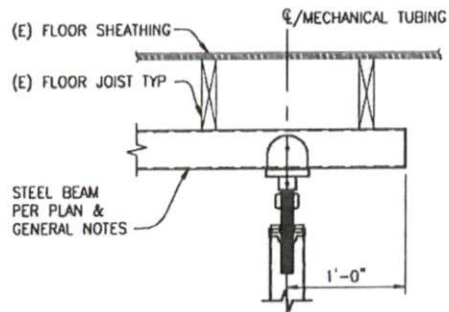
WON RESIDENCE FLOOR SUPPORT
39 KITTERY POINT
SANFORD, NC 27332

(E) FOUNDATION/
(N) SMARTJACK
LAYOUT PLAN

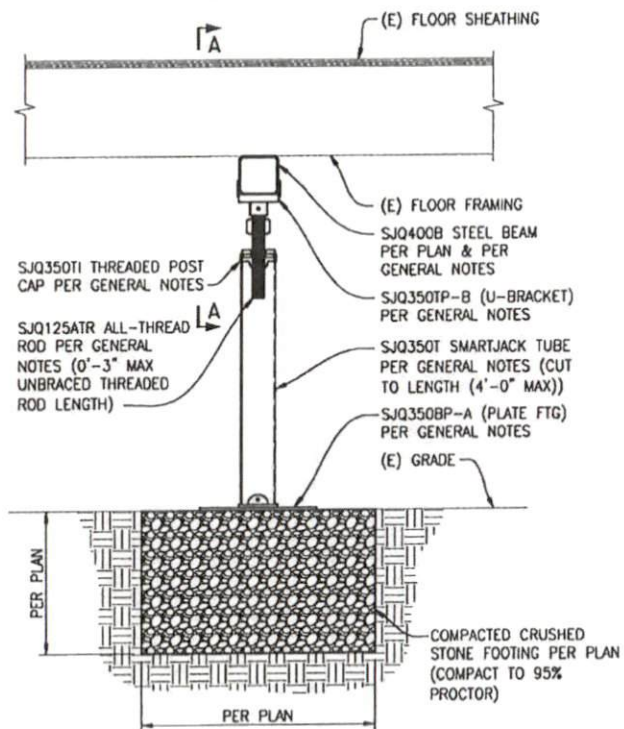
REVISIONS

PROJECT NO:
SE20-183
DESIGNED BY:
JN
DRAWN BY:
JN
CHECKED BY:
CAF, JLD
DATE:
01-11-2021

SHEET NO:
S2.1



SECTION A-A



NOTES:

1. REF PLAN FOR LAYOUT & INSTALLATION REQ'S
2. INSTALL PER MFR RECOMMENDATIONS

(N) SMARTJACK AT (N) STEEL BEAM

SCALE: 1"=1'-0"

1



EXPIRES: 12/31/21



SFA Design Group, LLC
 1001 HUNTERS CREEK DRIVE
 SUITE 100
 SANFORD, NC 27332
 910.659.1111

WON RESIDENCE FLOOR SUPPORT
 39 KITTERY POINT
 SANFORD, NC 27332

SMARTJACK
 DETAILS

REVISIONS

NO.	DESCRIPTION

PROJECT NO:
 SE20-183
 DESIGNED BY:
 JN
 DRAWN BY:
 JN
 CHECKED BY:
 CAF, JLD
 DATE:
 01-11-2021

SHEET NO:

S4.1