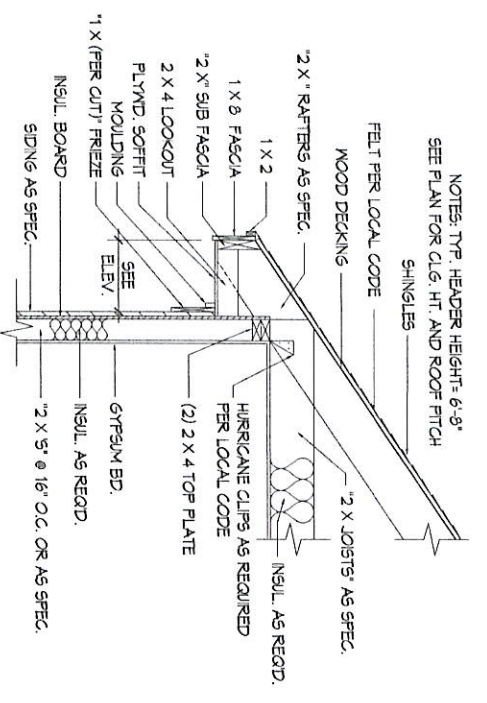
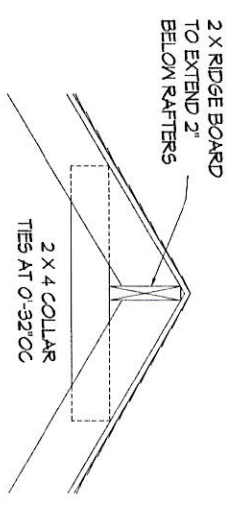


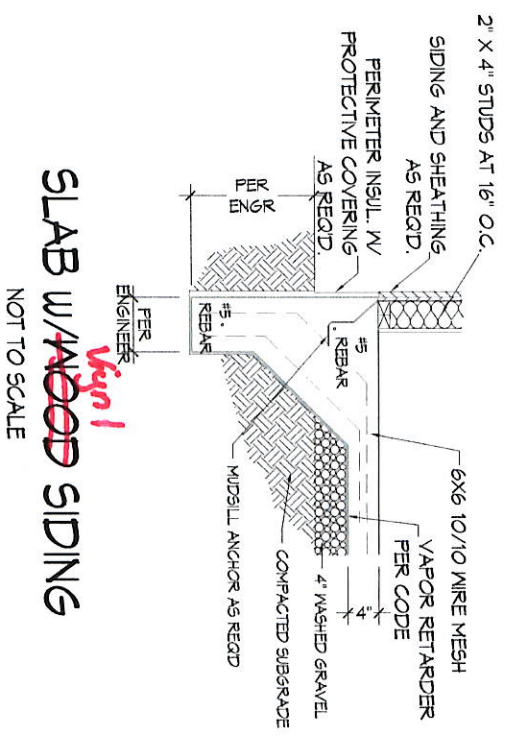
ROOF PLAN
SCALE: 1/8" = 1'-0"



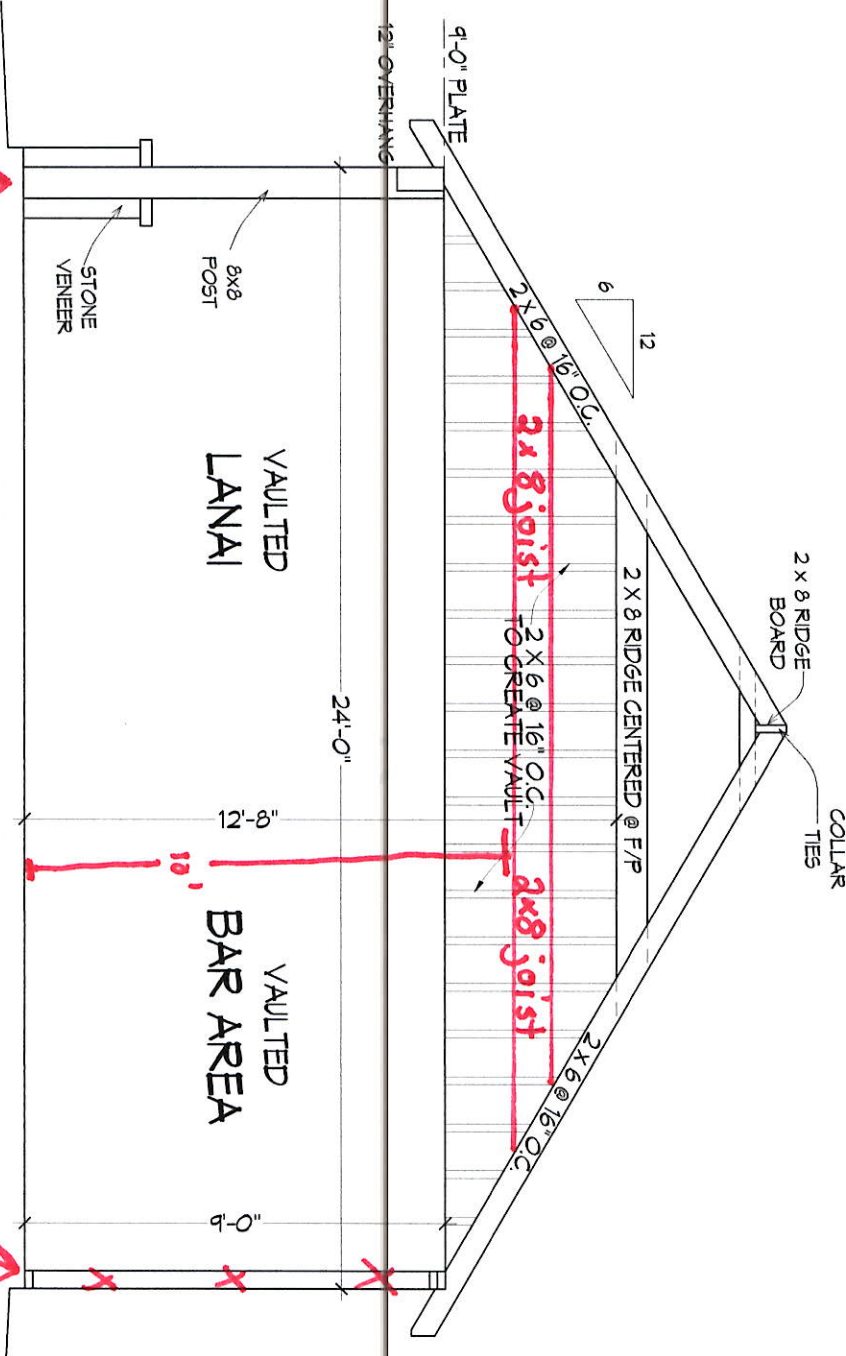
TYPICAL CORNICE DETAIL W/ SIDING
NO SCALE



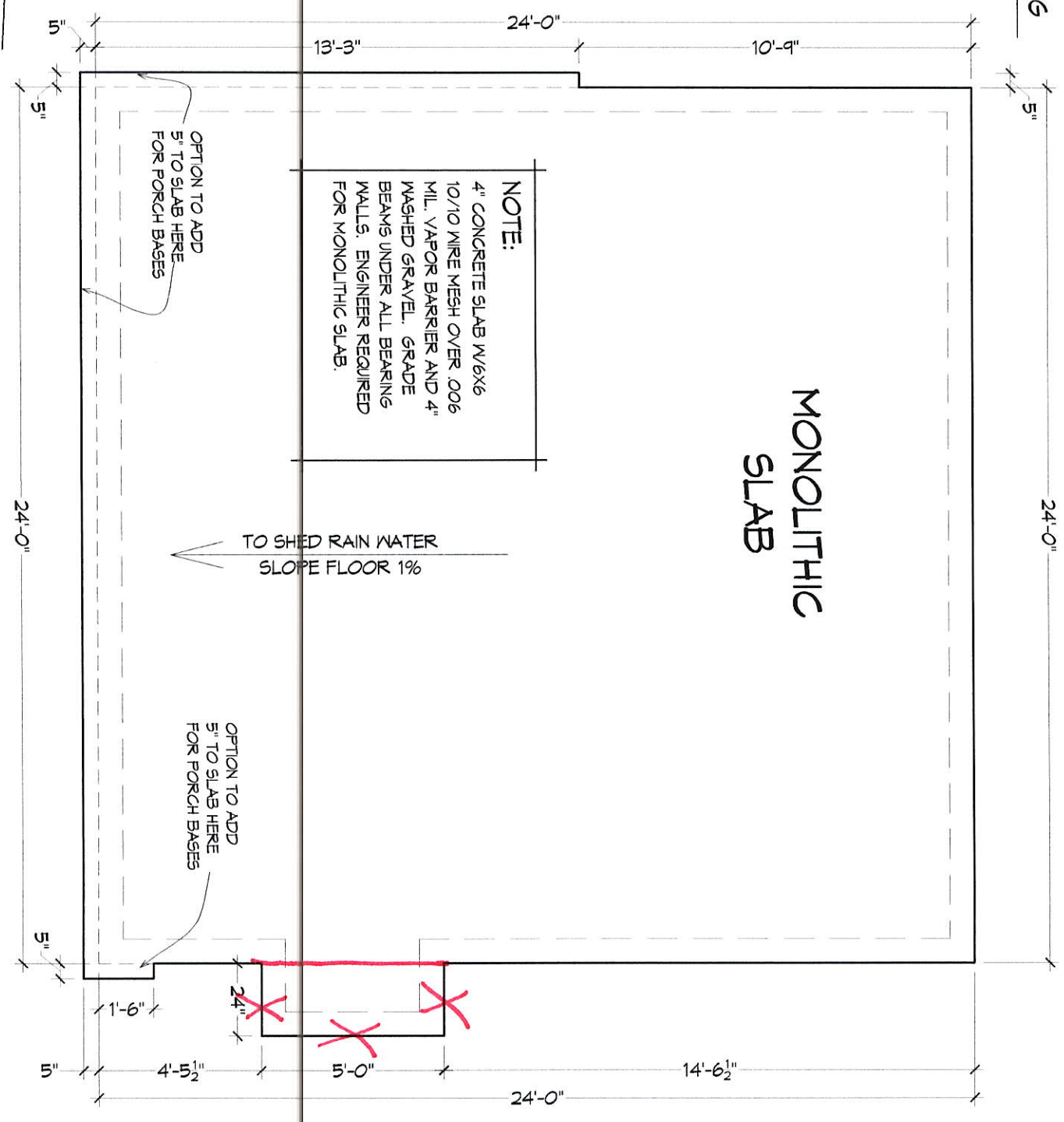
TYPICAL RIDGE BOARD / BRACING
NO SCALE



SLAB W/ WOOD SIDING
NOT TO SCALE



MAIN BODY SECTION
SCALE: 1/4" = 1'-0"



MONOLITHIC SLAB

FOUNDATION PLAN
SCALE: 1/4" = 1'-0"

NOTE:
4" CONCRETE SLAB W/ 6X6 10/10 WIRE MESH OVER .006 MILL VAPOR BARRIER AND 4" WASHED GRAVEL. GRADE BEAMS UNDER ALL BEARING WALLS. ENGINEER REQUIRED FOR MONOLITHIC SLAB.

OPTION TO ADD 5" TO SLAB HERE FOR PORCH BASES

OPTION TO ADD 5" TO SLAB HERE FOR PORCH BASES

TO SHED RAIN WATER
SLOPE FLOOR 1%

Mirror



© Copyright by Legacy Home Plans LLC
REPRODUCTION OF ANY PORTION OF THESE DRAWINGS FOR ANY PURPOSE IS STRICTLY PROHIBITED. THESE DRAWINGS ARE SOLELY FOR USE IN THE CONSTRUCTION OF ONE DWELLING ONLY AND ANY FURTHER USE WITHOUT THE EXPRESS PERMISSION OF LEGACY HOME PLANS LLC IS PROHIBITED. THESE DRAWINGS HAVE BEEN PREPARED TO MEET THE TOP PROFESSIONAL STANDARDS AND PRACTICES. HOWEVER, LOCAL VARIATIONS MAY REQUIRE CHANGES. A LICENSED BUILDING CODE REGULATORY MAY VARY WITH LOCATION AND CHANGE FROM TIME TO TIME. BEFORE STARTING CONSTRUCTION, THE BUILDER MUST REVIEW AND BE RESPONSIBLE FOR ALL DETAILS AND DIMENSIONS, AND INSURE THAT THESE PLANS MEET ALL CURRENT GOVERNMENTAL REQUIREMENTS IN YOUR AREA. AN ENGINEER IS REQUIRED FOR ALL CONSTRUCTION. TOTAL LIABILITY OF LEGACY HOME PLANS LLC NOT TO EXCEED THE COST OF ORIGINAL PLANS.

EDR	SCALE As Shown	DATE 9-21-18	FILE
PLAN NAME	DRAWN BY MIGUEL P./ STEVE V.		SHEET # 1
PLAN NO.	0586-PH A Poolhouse		