

STRUCTURAL PLANS
FOR
COLIN THOMPSON BUILDING

424 PEANUT LANE
MOORE COUNTY - CAMERON - NORTH CAROLINA

PROJECT NO.: E-6864

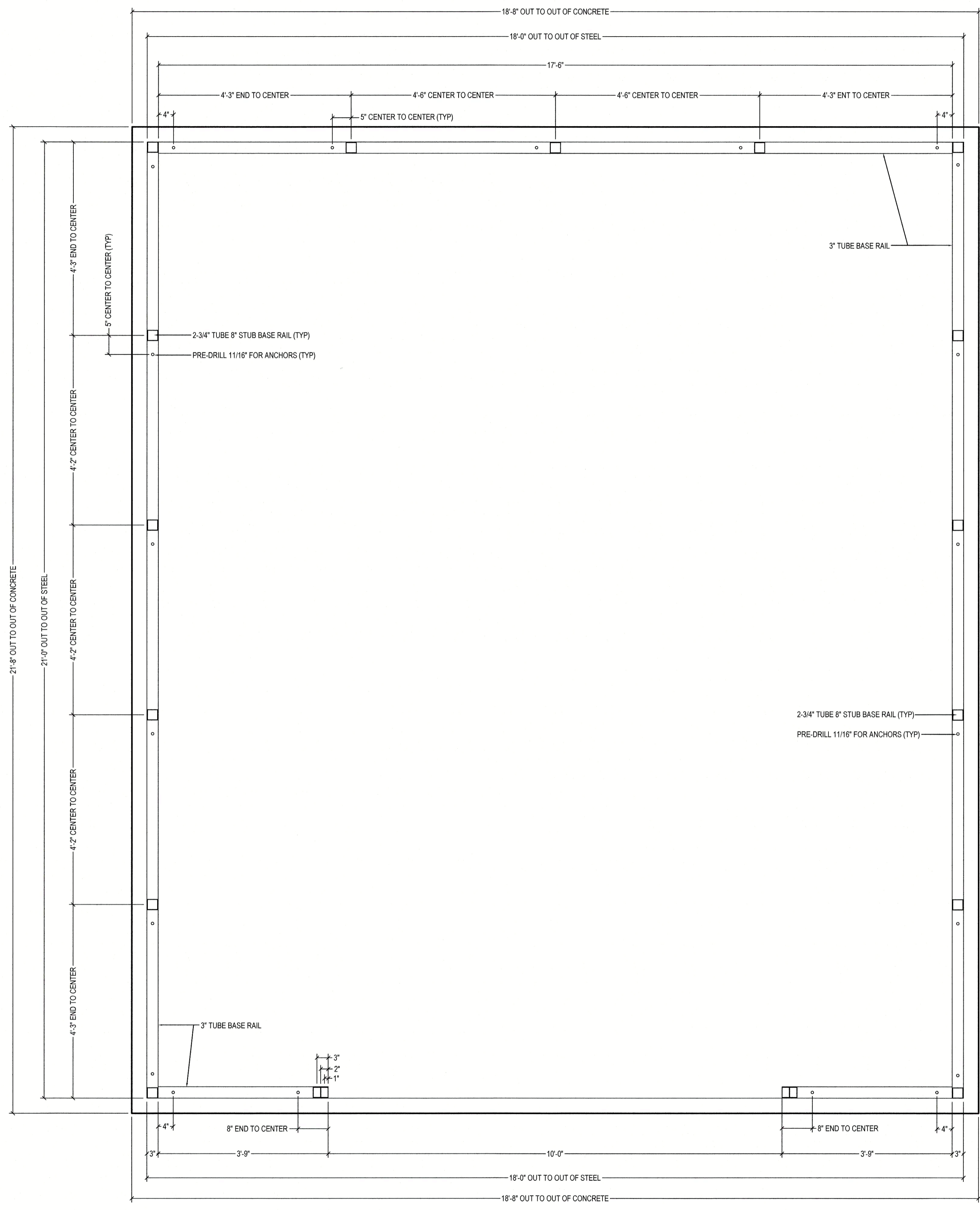
FEB., 2021

#	SHEET INDEX
S-0	COVER SHEET
S-1	FOUNDATION AND FLOOR PLAN
S-2	SECTIONS
S-3	FRAMING PLAN
S-4	FRAMING PLAN

Summey Engineering Associates, PLLC
Engineering - Land Planning - Consulting
PO Box 968, Asheboro, NC 27204
Ph: 336-328-0902 Fax: 336-328-0922
www.summeyengineering.com



P:\E-6864 TRIAD CORRUGATED METAL COLIN THOMPSON BUILDING 2.5-21.DWG\Building & Structure\E-6864 FOUNDATION 2.5-21.dwg, 2/9/2021 3:54:52 PM, \\SUMMEYENGINEERING\FP PageWide_XL_4100PS_MFP_HRLZ



1 FLOOR PLAN
SCALE: 3/4" = 1'-0"
0 2 4 8



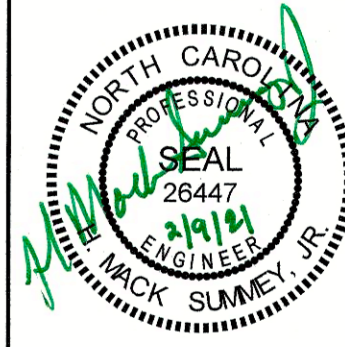
Summey Engineering Associates, PLLC
Engineering - Land Planning - Consulting
 P.O. Box 968, Asheville, NC 27204
 Ph: 336-328-0902 F: 336-328-0922
 www.summeyengineering.com
 NC ENGINEERING FIRM CERTIFICATE OF AUTHORIZATION:

No.	Date	Description	By:
A	00.00.0000	PRELIMINARY PLAN FOR CLIENT REVIEW	INITIAL

FOUNDATION FLOOR PLAN
TRIAD CORRUGATED METAL
18' X 21' METAL BUILDING FOR
COLIN THOMPSON
 424 PEANUT LANE
 MOORE COUNTY - CAMERON - NORTH CAROLINA

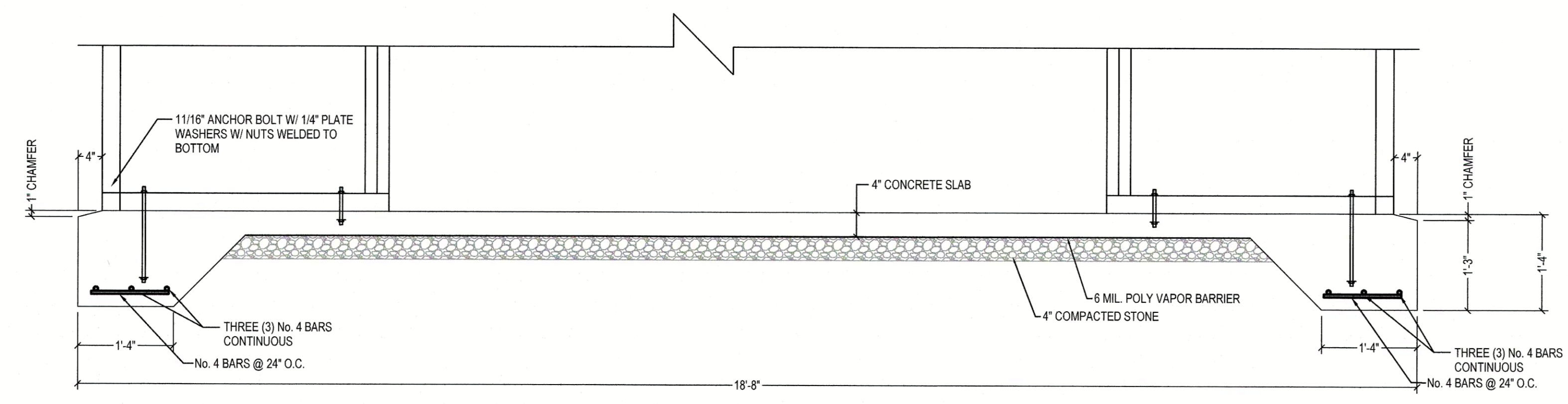
Scale: 3/4" = 1'-0"
 Date: FEB. 2021
 Drawn By: PBC
 Checked By: HWSJ
 Job No.: E-6864
 Sheet No.:

S-1
 1 of 4

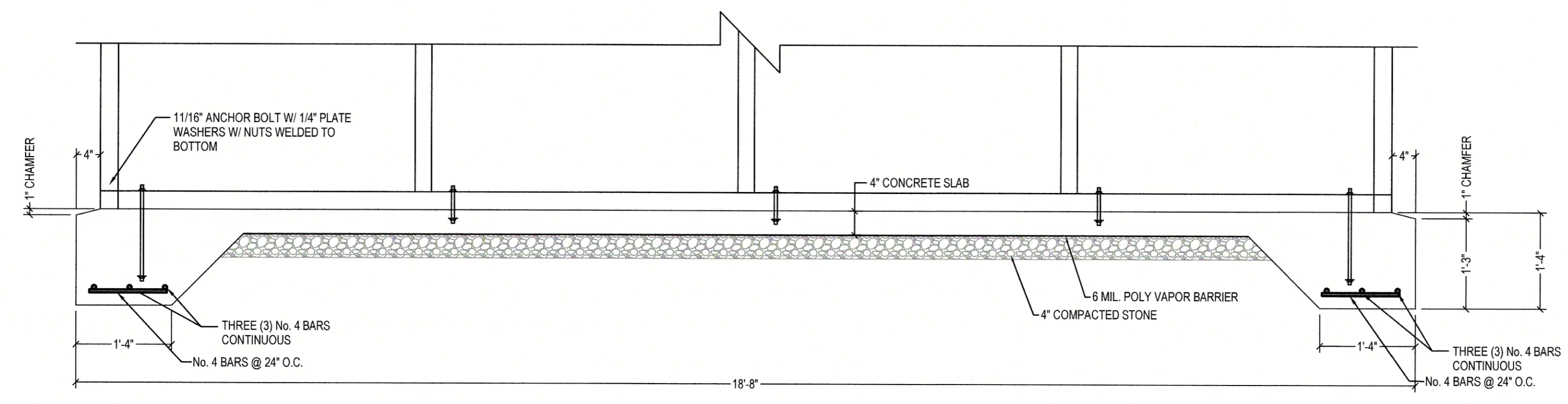


Summey Engineering Associates, PLLC
 Engineering - Land Planning - Consulting
 PO Box 956, Asheville, NC 27204
 Ph: 336-328-0902 Fax: 336-328-0922
 www.summeyengineering.com

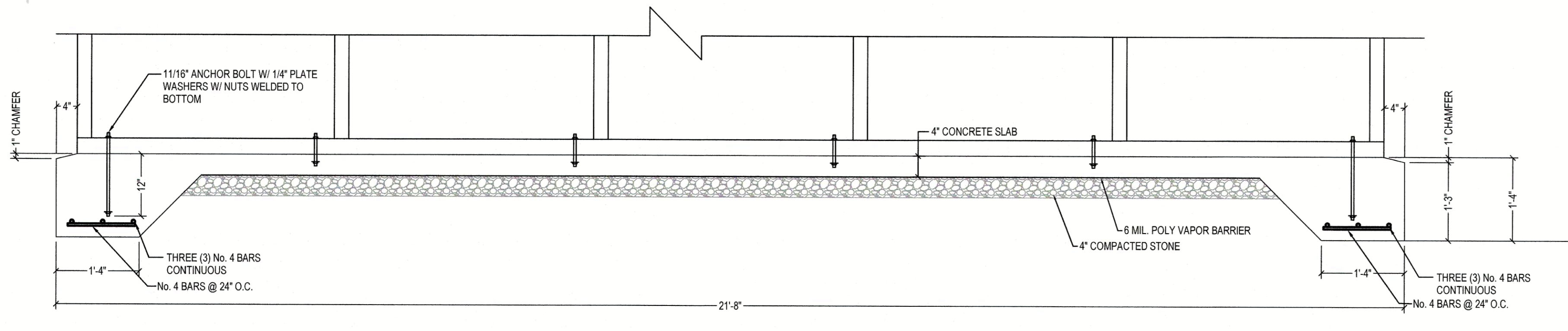
NC ENGINEERING FIRM CERTIFICATE OF AUTHORIZATION:



1 FRONT SECTION
 SCALE: 3/4" = 1'-0"
 0 2' 4' 8'



2 REAR SECTION
 SCALE: 3/4" = 1'-0"
 0 2' 4' 8'



3 LEFT AND RIGHT SIDE SECTION
 SCALE: 3/4" = 1'-0"
 0 2' 4' 8'

No.	Date	Description	By:
A	00.00.0000	PRELIMINARY PLAN FOR CLIENT REVIEW	INITIAL

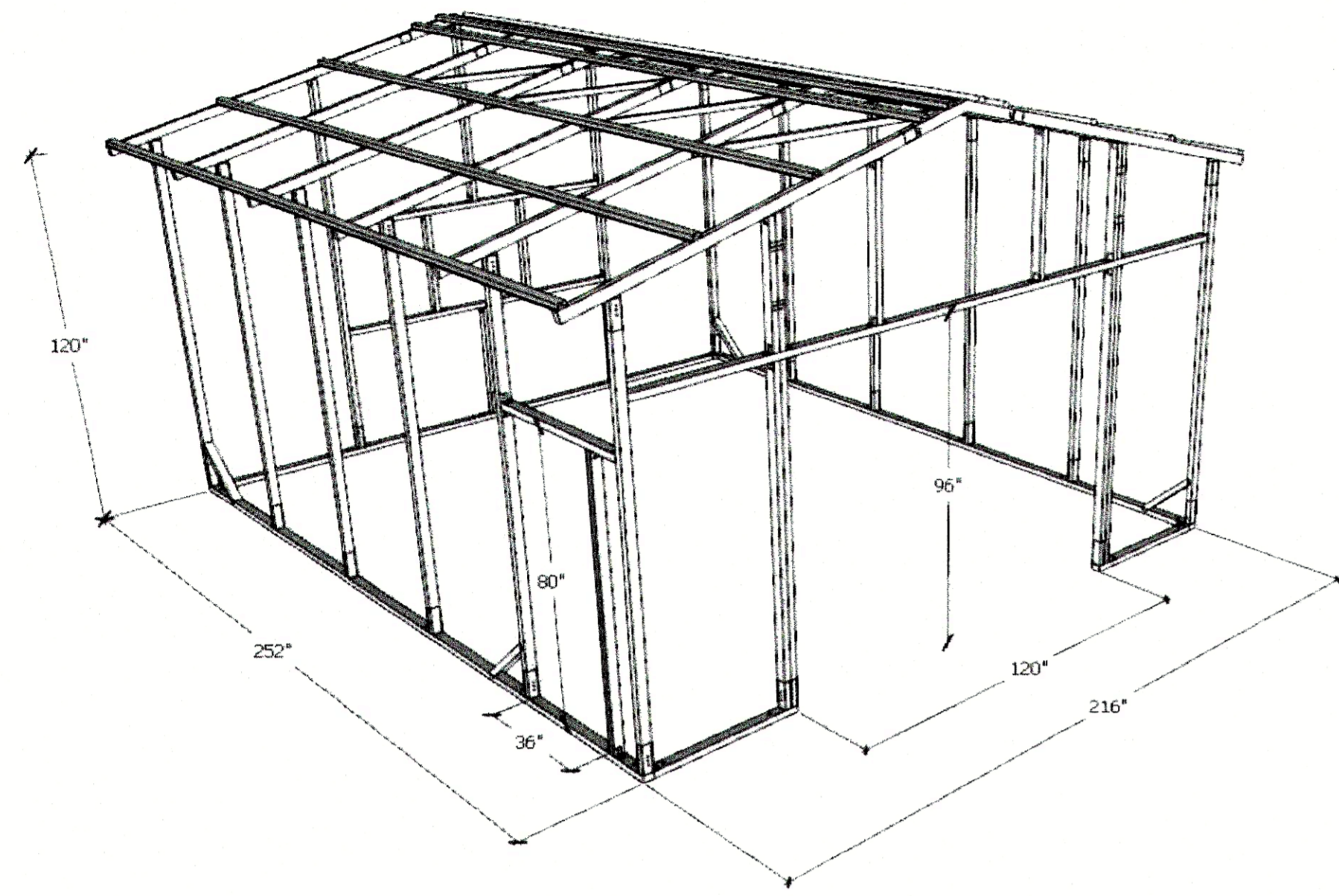
SECTIONS
 TRIAD CORRUGATED METAL
 18' X 21' METAL BUILDING FOR
COLIN THOMPSON
 424 PEANUT LANE
 MOORE COUNTY - CAMERON - NORTH CAROLINA

Scale: 3/4" = 1'-0"
 Date: FEB. 2021
 Drawn By: PPC
 Checked By: HWSJ
 Job No.: E-6864
 Sheet No.

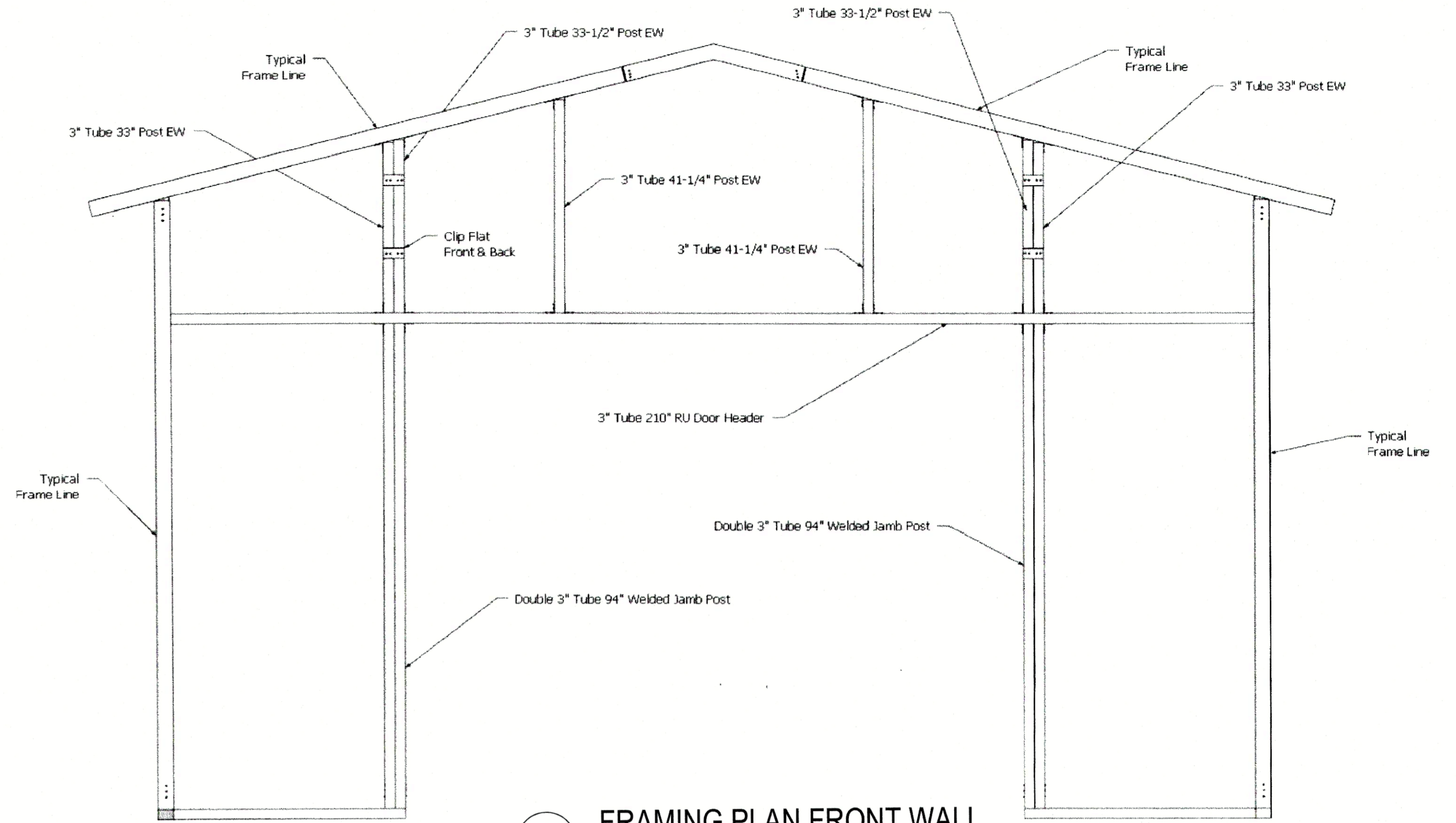


S-2
 2 of 4

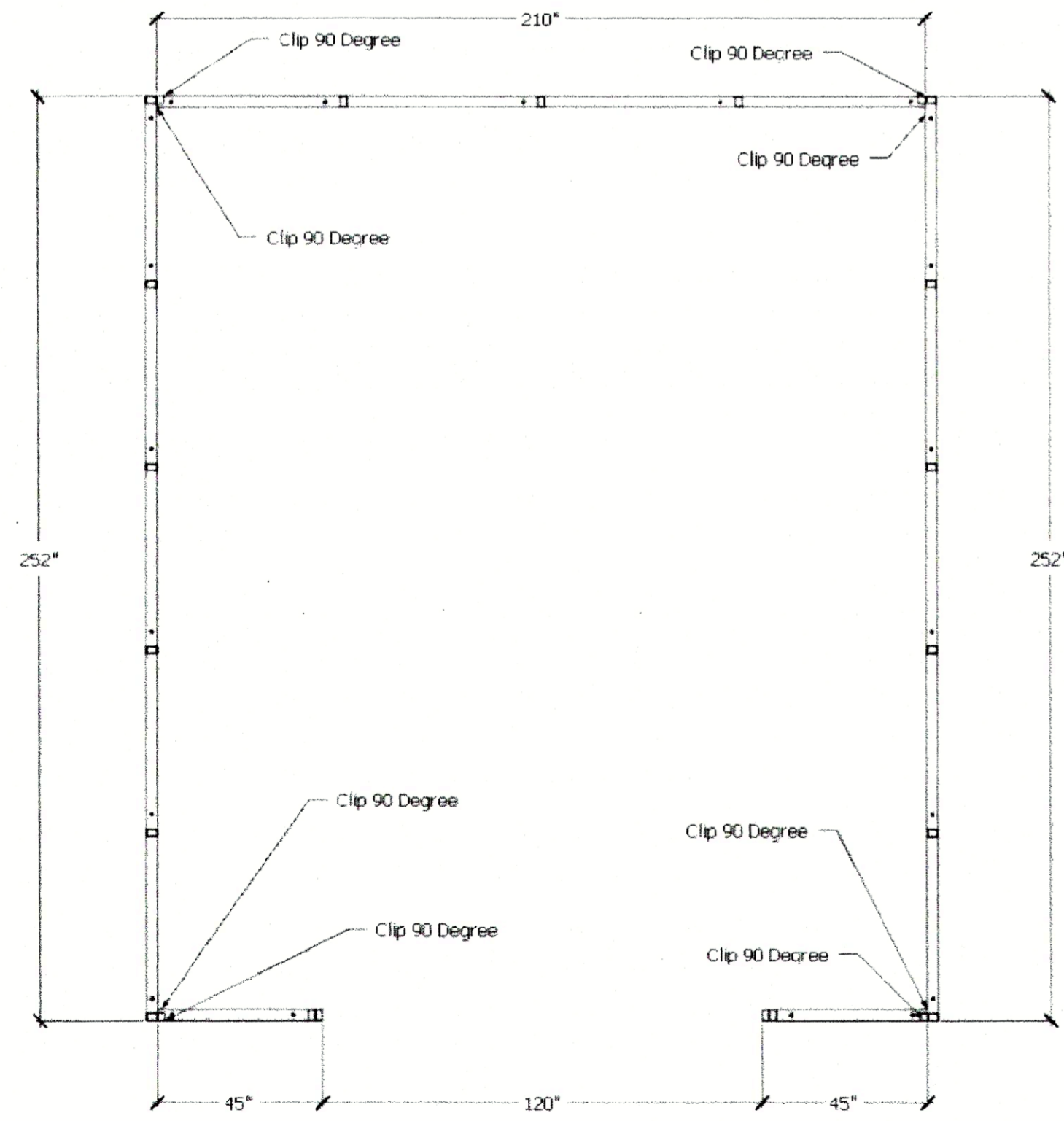
P:\E-6864 TRIAD CORRUGATED METAL COLIN THOMPSON BUILDING & STRUCTURE\E-6864 FOUNDATION 2-5-21.dwg, 2/9/2021 3:54:54 PM, \\SUMMEYENGSERVER\HP PageWide XL 4100PS MFP-HPGL2



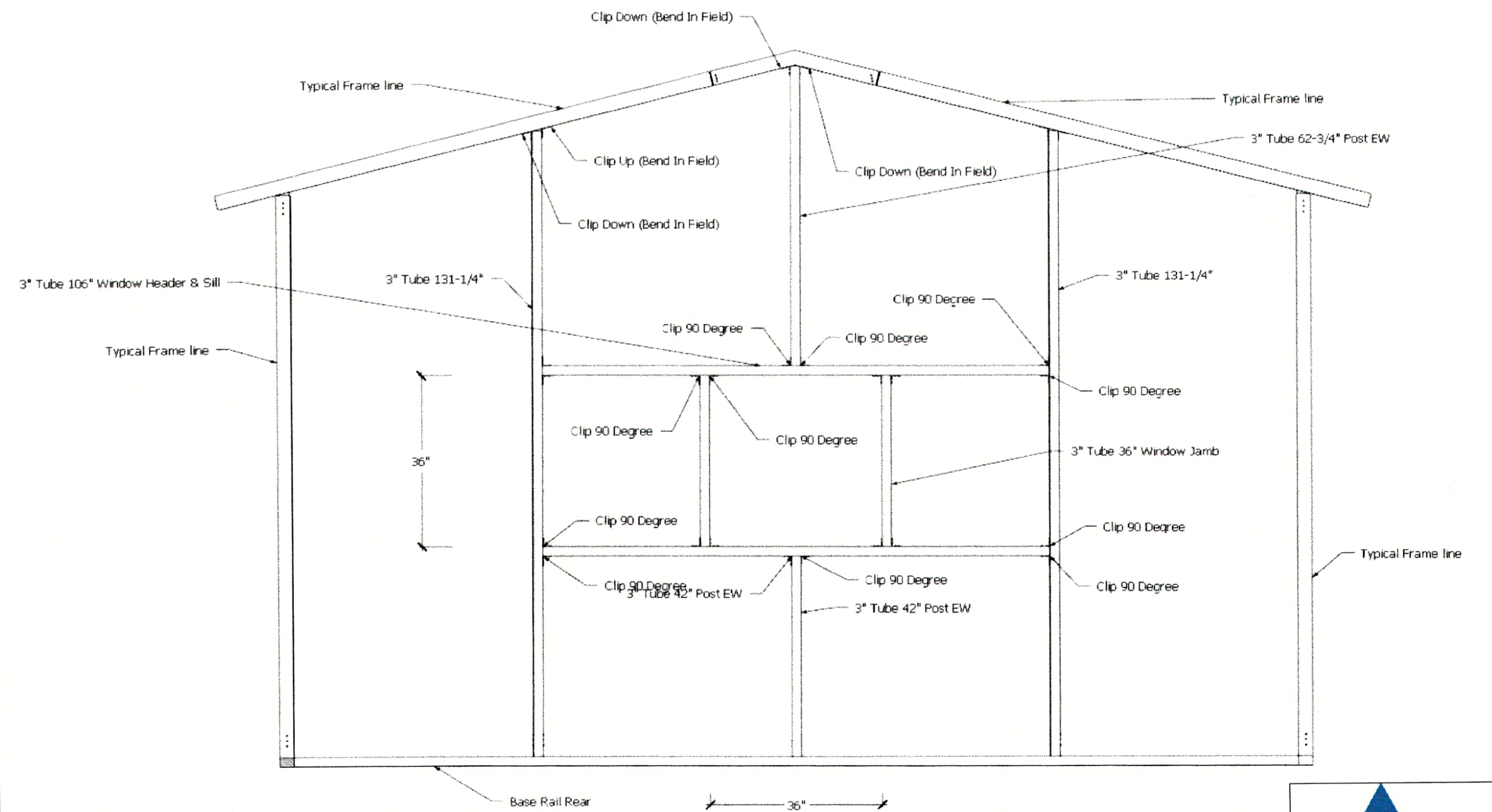
1 ISOMETRIC
SCALE: N.T.S.



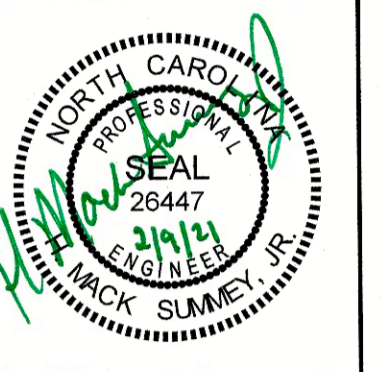
3 FRAMING PLAN FRONT WALL
SCALE: N.T.S.



2 BASE RAIL LAYOUT
SCALE: N.T.S.



4 FRAMING PLAN REAR WALL
SCALE: N.T.S.



Summey Engineering Associates, PLLC
Engineering - Land Planning - Consulting
P.O. Box 968, Asheville, NC 27204
Ph: 336-328-0902, Fax: 336-328-0922
www.summeyengineering.com
NC ENGINEERING FIRM CERTIFICATE OF AUTHORIZATION

By:	INITIAL
Description:	
00.00.0000	PRELIMINARY PLAN FOR CLIENT REVIEW
Date:	00.00.0000
No.:	A

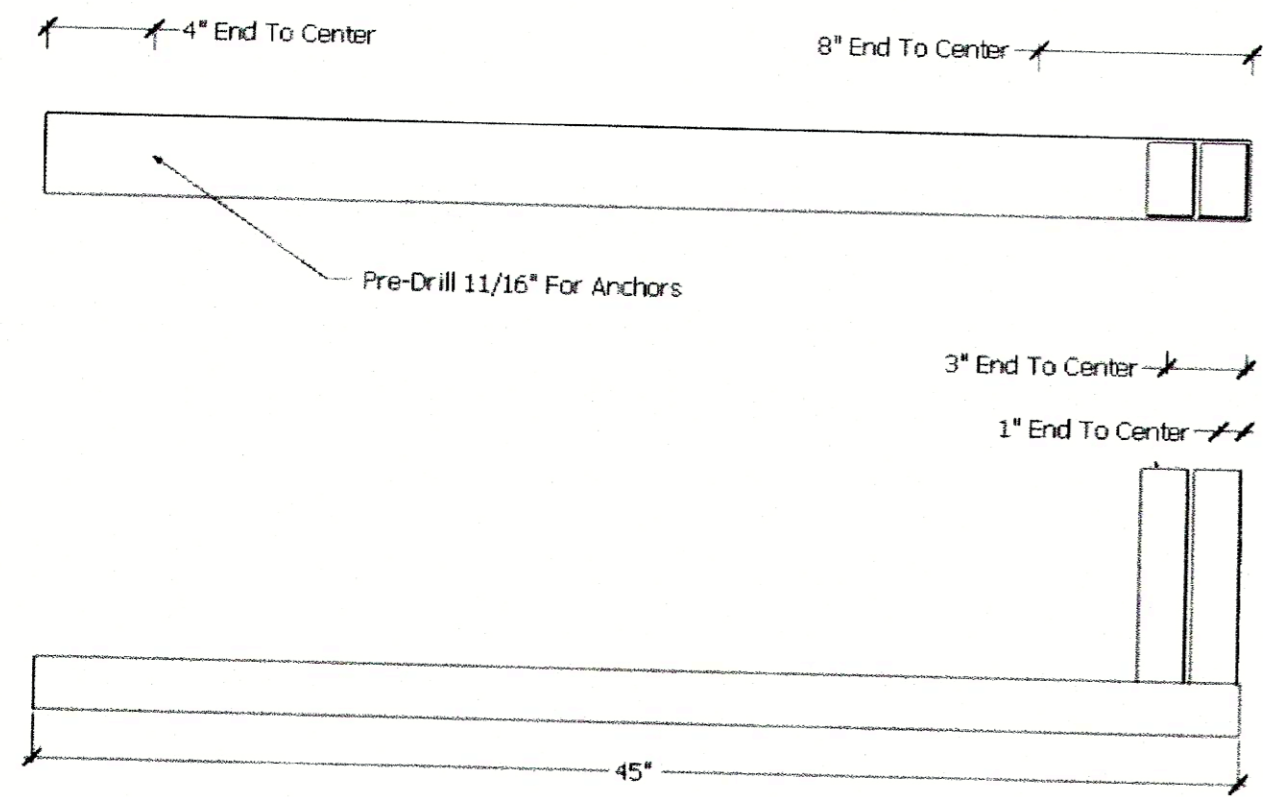
FRAMING PLANS
TRIAD CORRUGATED METAL
18' X 21' METAL BUILDING FOR
COLIN THOMPSON
424 PEANUT LANE
MOORE COUNTY - CAMERON - NORTH CAROLINA

Scale:	3/4" = 1'-0"
Date:	FEB. 2021
Drawn By:	PBC
Checked By:	HMSJ
Job No.:	E-6864
Sheet No.:	

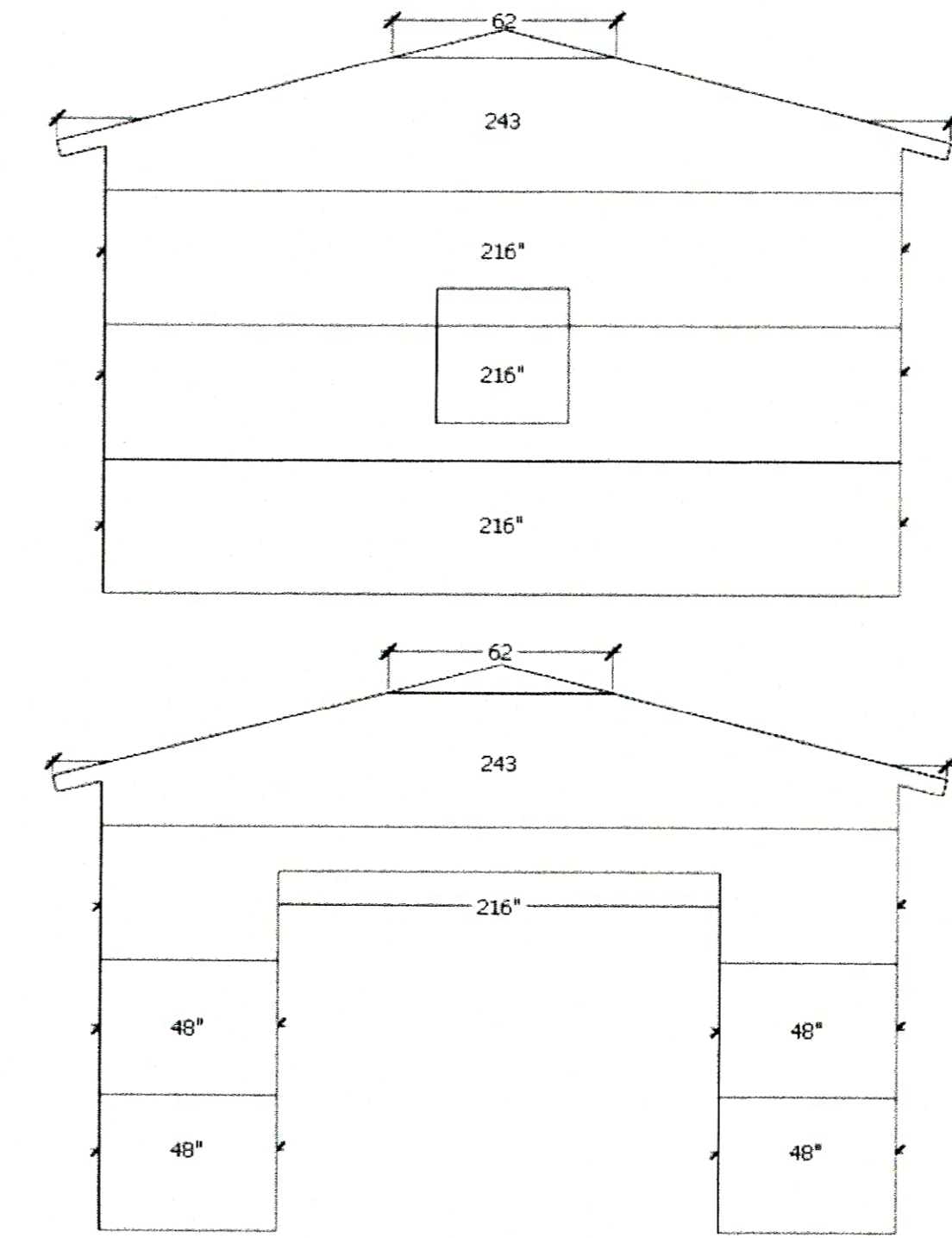


S-3
3 of 4

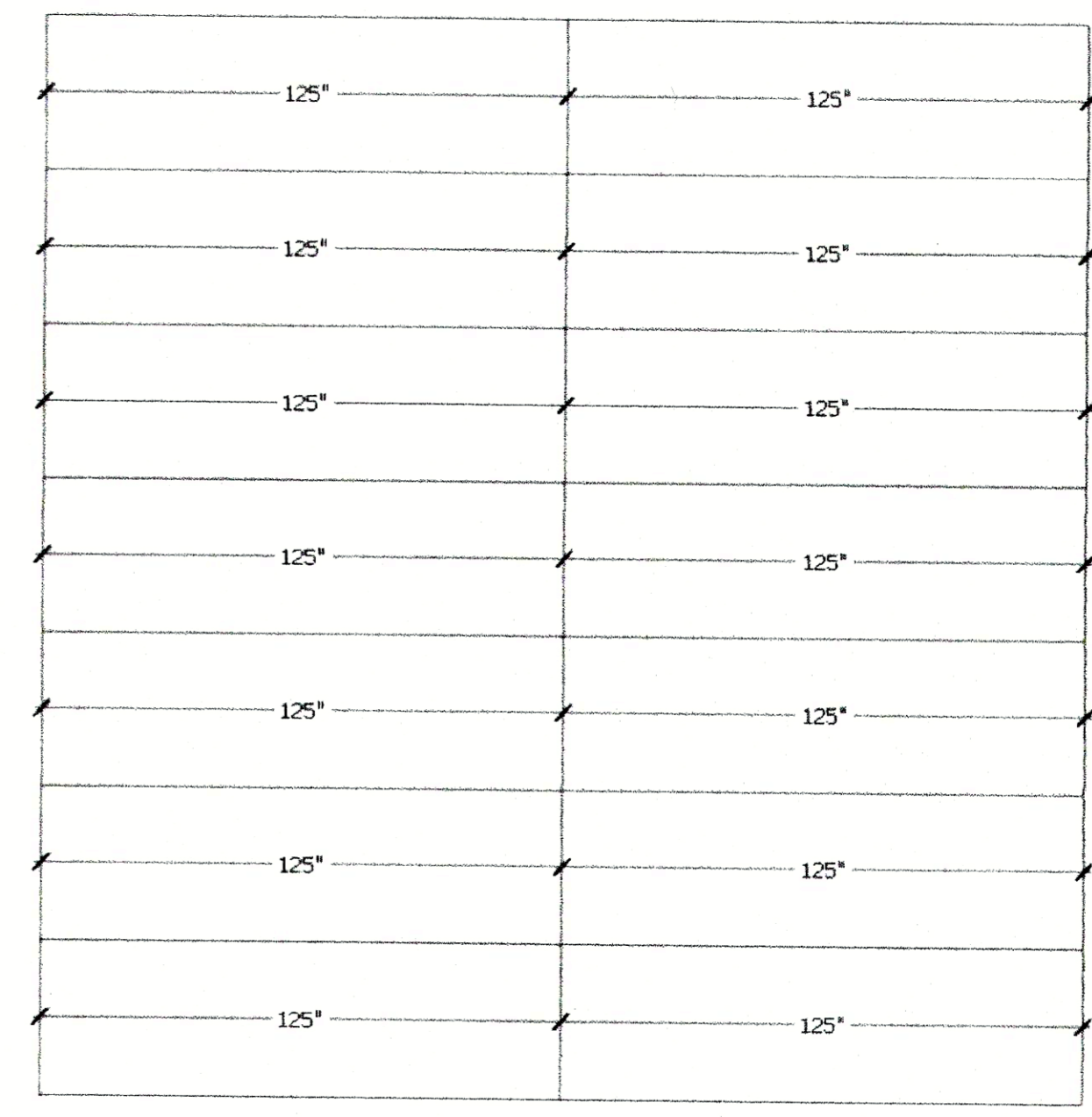
P:\E-6864 TRIAD CORRUGATED METAL THOMPSON BUILDING 2.5.21\DWG\Building & Structure\E-6864 FOUNDATION 2.5.21.dwg, 2/9/2021 3:54:56 PM \SUMMEYENGINEERING\HP PageWide XL 4100PS.MFP.HPL2



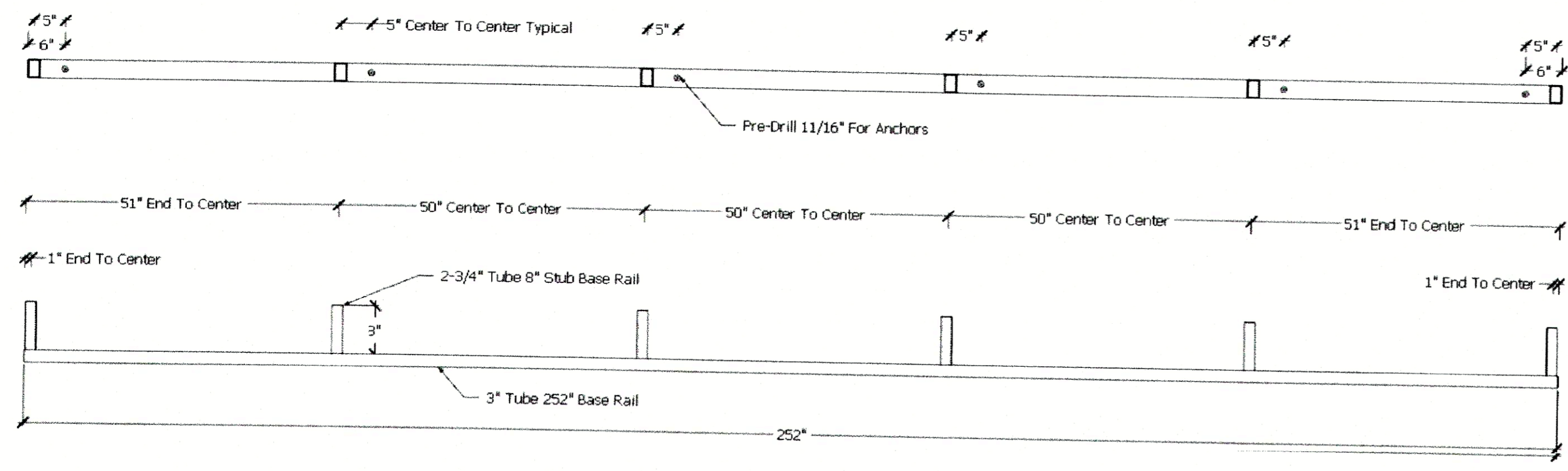
1 BASE PLAN FRONT - TWO REQUIRED
SCALE: N.T.S.



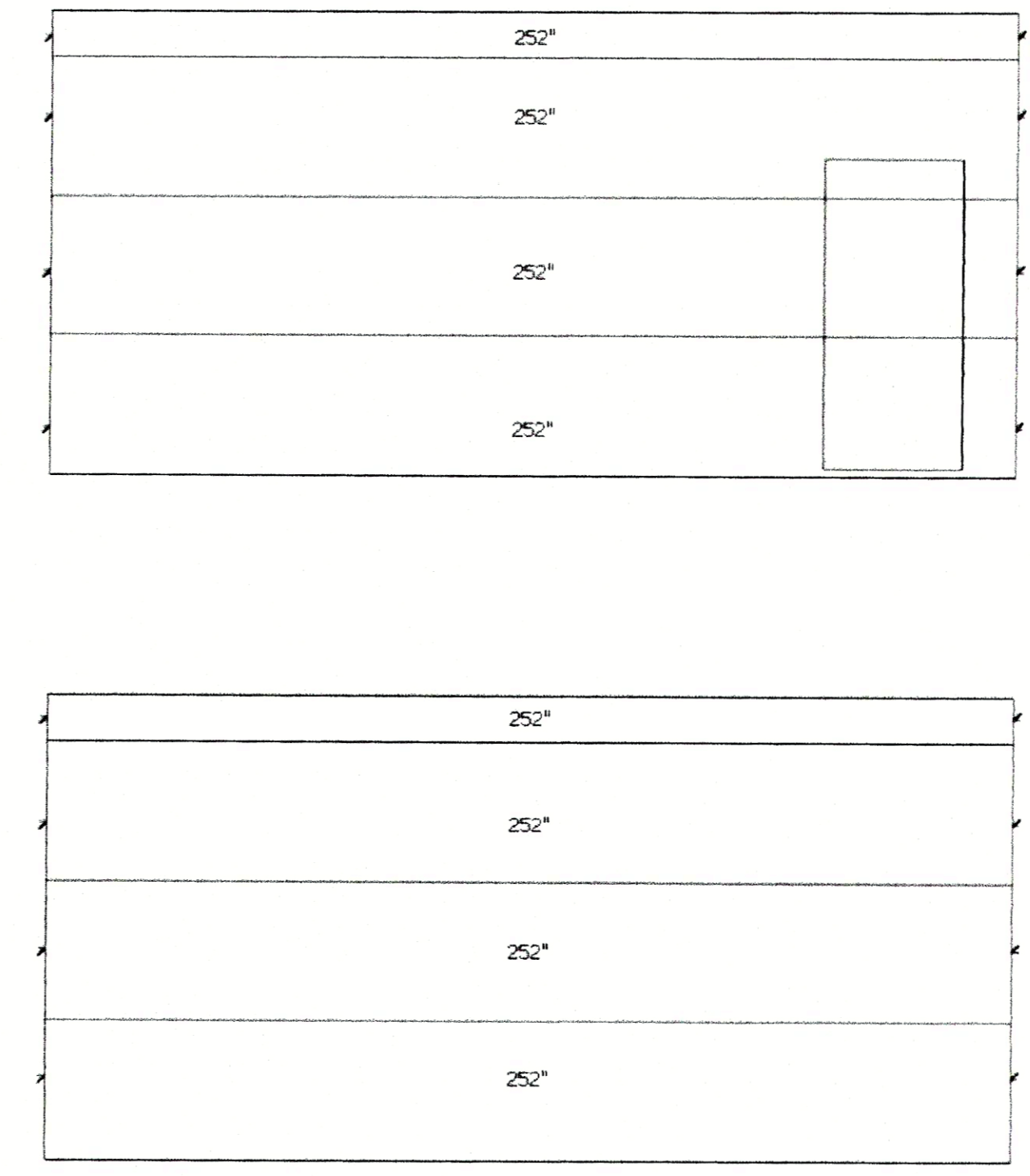
4 FRONT AND REAR SHEETING
SCALE: N.T.S.



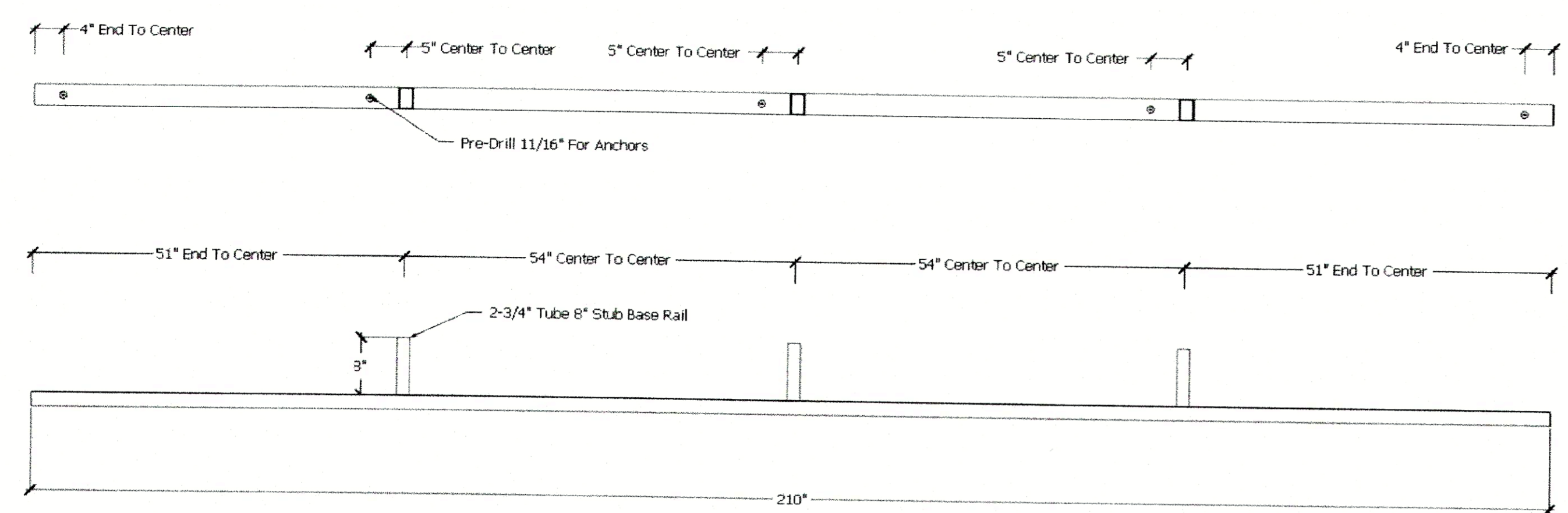
6 ROOF SHEETING PLAN
SCALE: N.T.S.



2 BASE RAILS - SIDE WALL - TWO REQUIRED
SCALE: N.T.S.



5 LEFT AND RIGHT SIDE SHEETING
SCALE: N.T.S.



3 BASE RAIL REAR - ONE REQUIRED
SCALE: N.T.S.



Summy Engineering Associates, PLLC
Engineering - Land Planning - Consulting
PO Box 266, Asheville, NC 27204
Ph: 336-328-0902, Fx: 336-328-0922
www.summyengineering.com
NC ENGINEERING FIRM CERTIFICATE OF AUTHORIZATION

No.	Date	Description	By:
A	00.00.0000	PRELIMINARY PLAN FOR CLIENT REVIEW	INITIAL

FRAMING PLANS
TRIAD CORRUGATED METAL
18' X 21' METAL BUILDING FOR
COLIN THOMPSON
424 PEANUT LANE
MOORE COUNTY - CAMERON - NORTH CAROLINA

Scale:	3/4" = 1'-0"
Date:	FEB. 2021
Drawn By:	PRC
Checked By:	HMSJ
Job No.:	E-6864
Sheet No.:	



S-4
4 of 4