



STRUCTURAL PLANS  
FOR  
**COLIN THOMPSON BUILDING**

424 PEANUT LANE  
MOORE COUNTY - CAMERON - NORTH CAROLINA

PROJECT NO.: E-6864  
FEB., 2021

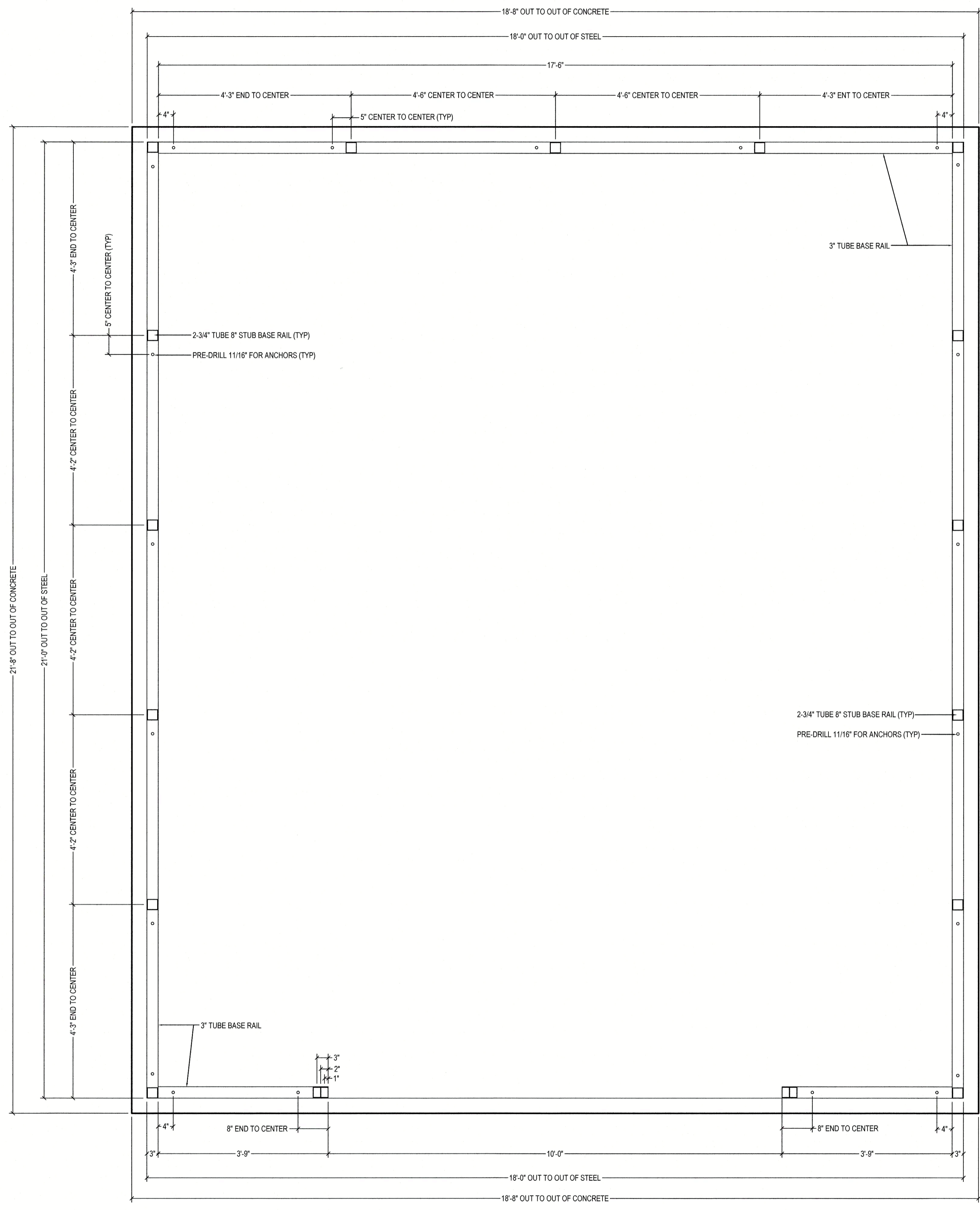
| #   | SHEET INDEX               |
|-----|---------------------------|
| S-0 | COVER SHEET               |
| S-1 | FOUNDATION AND FLOOR PLAN |
| S-2 | SECTIONS                  |
| S-3 | FRAMING PLAN              |
| S-4 | FRAMING PLAN              |

*Summey Engineering Associates, PLLC*  
*Engineering - Land Planning - Consulting*  
PO Box 968, Asheboro, NC 27204  
Ph: 336-328-0902 Fax: 336-328-0922  
[www.summeyengineering.com](http://www.summeyengineering.com)

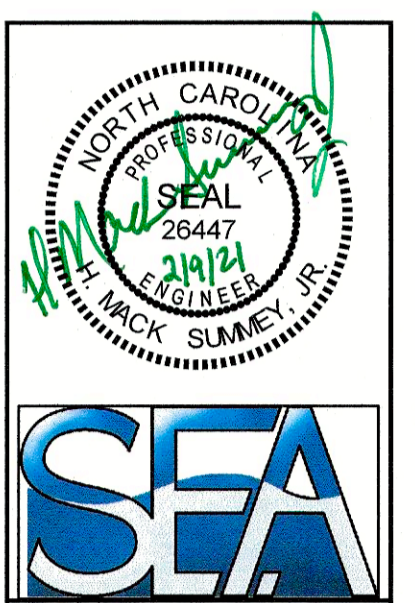


P:\E-6864 TRIAD CORRUGATED METAL THOMPSON BUILDING 2-5-21\DWG\building & structure\E-6864 FOUNDATION 2-5-21.dwg, 2/9/2021 4:08:57 PM, \SUMMEYENGINEERING\MP Pages\Wks A\_41005.MP.PCL2

P:\E-6864 TRIAD CORRUGATED METAL COLIN THOMPSON BUILDING 2.5-21.DWG\Building & Structure\E-6864 FOUNDATION 2.5-21.dwg, 2/9/2021 3:54:52 PM, \\SUMMEYENGINEERING\FP PageWide\_XL\_4100PS\_MFP\_HRLZ



**1 FLOOR PLAN**  
SCALE: 3/4" = 1'-0"  
0 2 4 8



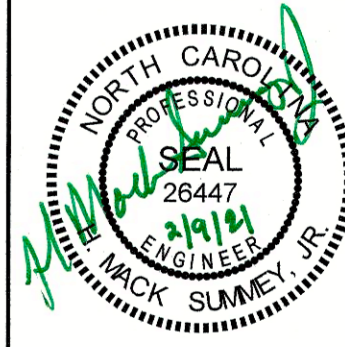
**SEA**  
Summey Engineering Associates, PLLC  
Engineering - Land Planning - Consulting  
PO Box 968, Asheville, NC 27204  
Ph: 336-328-0902 F: 336-328-0922  
www.summeyengineering.com  
NC ENGINEERING FIRM CERTIFICATE OF AUTHORIZATION:

| No. | Date       | Description                        | By:     |
|-----|------------|------------------------------------|---------|
| A   | 00.00.0000 | PRELIMINARY PLAN FOR CLIENT REVIEW | INITIAL |
|     |            |                                    |         |
|     |            |                                    |         |
|     |            |                                    |         |

FOUNDATION FLOOR PLAN  
**TRIAD CORRUGATED METAL**  
**18' X 21' METAL BUILDING FOR**  
**COLIN THOMPSON**  
424 PEANUT LANE  
MOORE COUNTY - CAMERON - NORTH CAROLINA

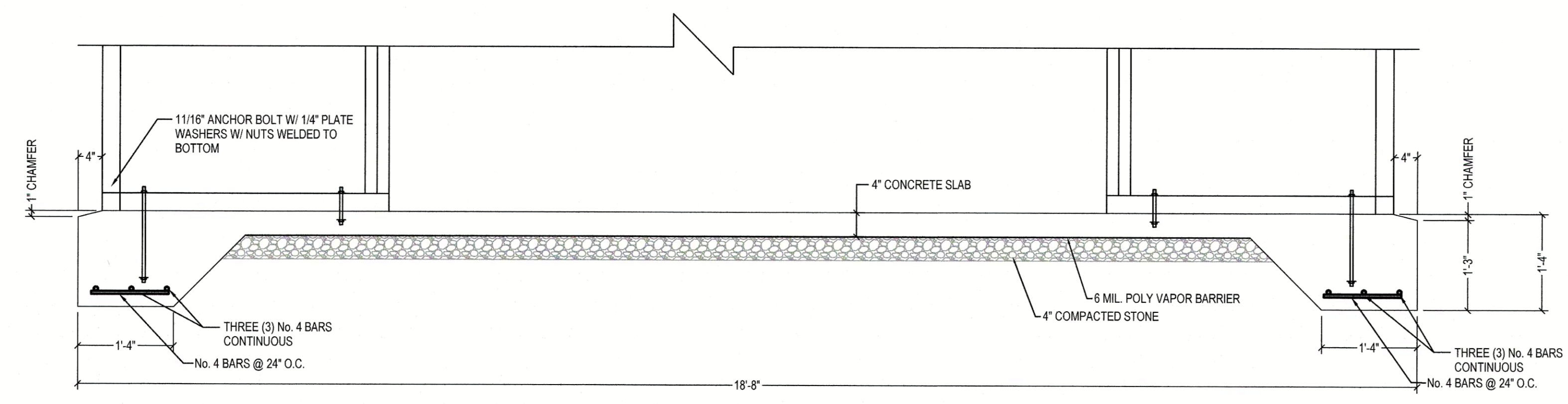
Scale: 5/4" = 1'-0"  
Date: FEB. 2021  
Drawn By: PBC  
Checked By: HWSJ  
Job No.: E-6864  
Sheet No.:

S-1  
1 of 4

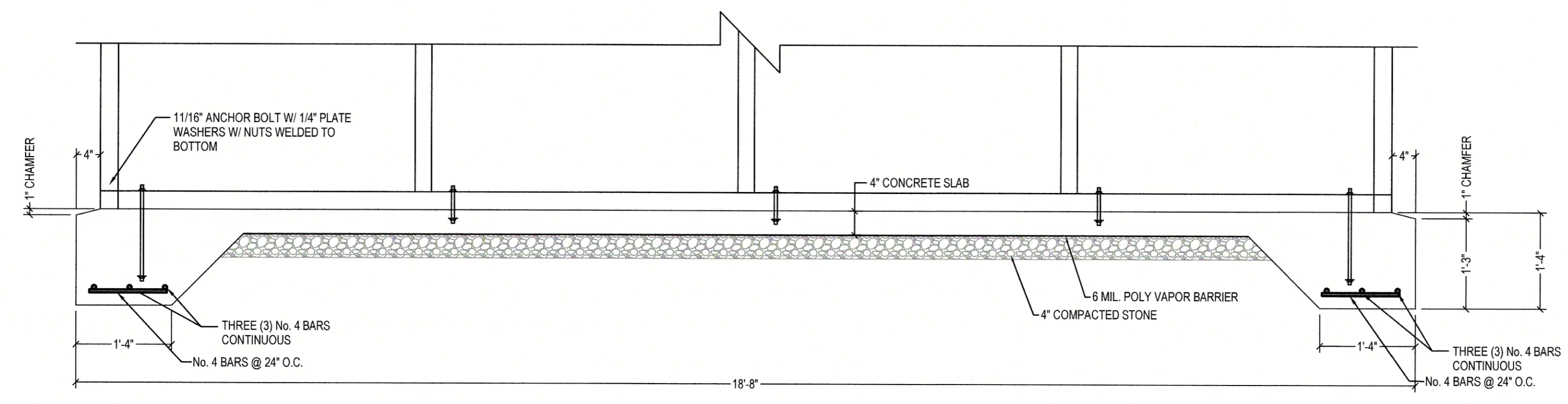


Summey Engineering Associates, PLLC  
 Engineering - Land Planning - Consulting  
 PO Box 956, Asheville, NC 27204  
 Ph: 336-328-0902 Fax: 336-328-0922  
 www.summeyengineering.com

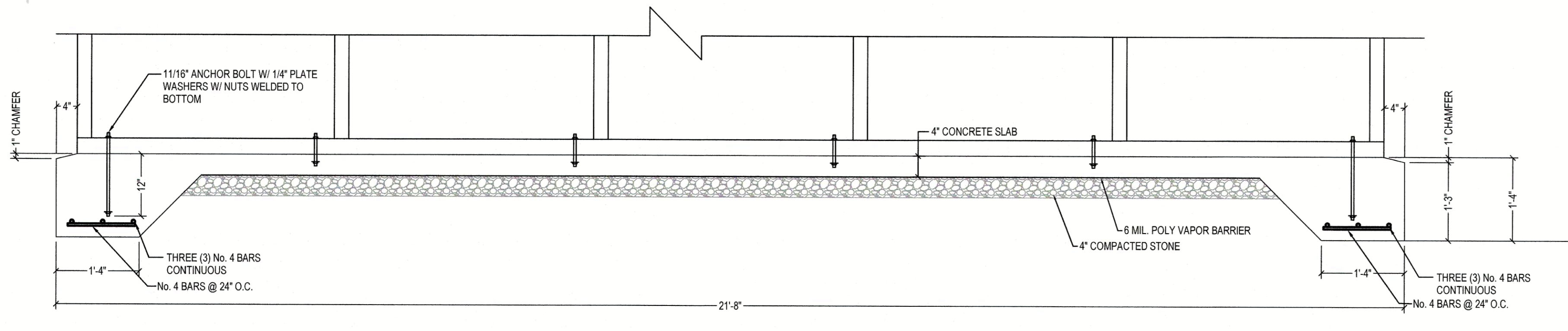
NC ENGINEERING FIRM CERTIFICATE OF AUTHORIZATION:



1 FRONT SECTION  
 SCALE: 3/4" = 1'-0"  
 0 2' 4' 8'



2 REAR SECTION  
 SCALE: 3/4" = 1'-0"  
 0 2' 4' 8'



3 LEFT AND RIGHT SIDE SECTION  
 SCALE: 3/4" = 1'-0"  
 0 2' 4' 8'

| No. | Date       | Description                        | By:     |
|-----|------------|------------------------------------|---------|
| A   | 00.00.0000 | PRELIMINARY PLAN FOR CLIENT REVIEW | INITIAL |

SECTIONS  
 TRIAD CORRUGATED METAL  
 18' X 21' METAL BUILDING FOR  
**COLIN THOMPSON**  
 424 PEANUT LANE  
 MOORE COUNTY - CAMERON - NORTH CAROLINA

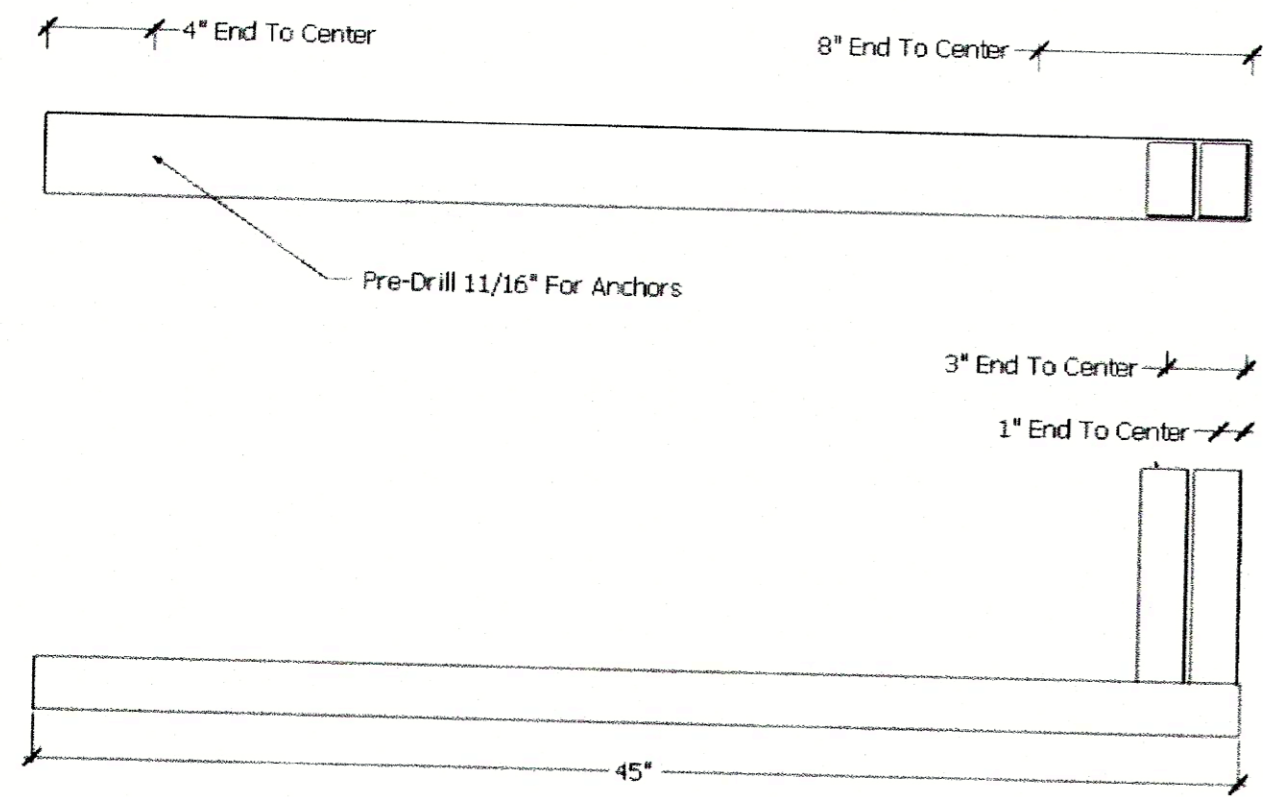
|             |              |
|-------------|--------------|
| Scale:      | 3/4" = 1'-0" |
| Date:       | FEB. 2021    |
| Drawn By:   | PPC          |
| Checked By: | HMSJ         |
| Job No.:    | E-6864       |
| Sheet No.:  |              |



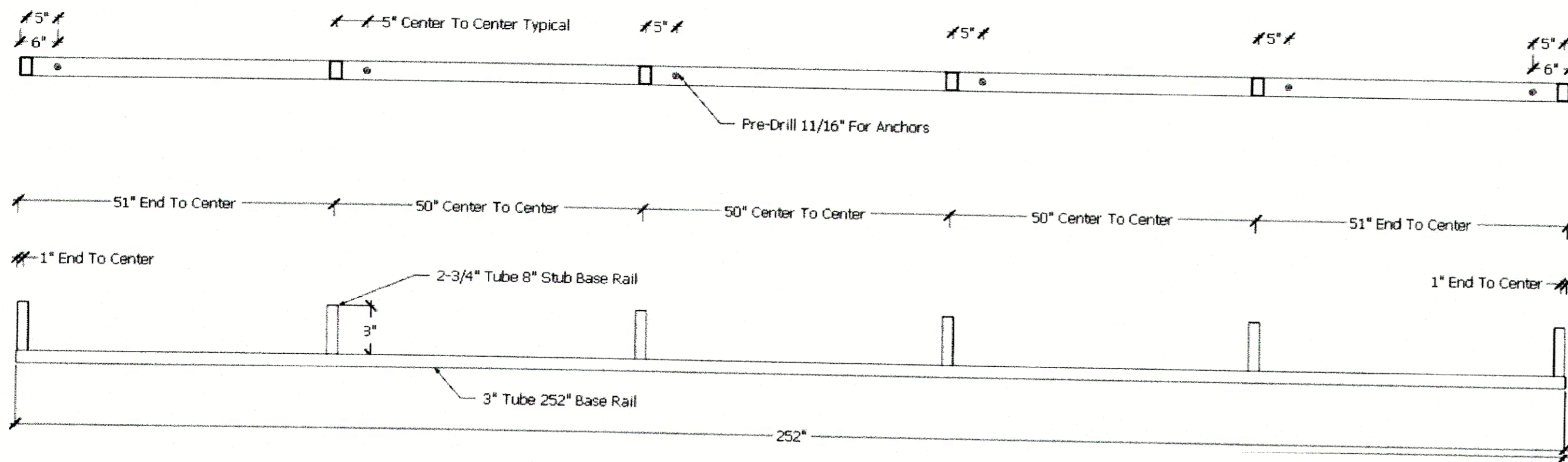
S-2  
 2 of 4

P:\E-6864 TRIAD CORRUGATED METAL COLIN THOMPSON BUILDING & STRUCTURE\E-6864 FOUNDATION 2-5-21.dwg, 2/9/2021 3:54:54 PM, \\SUMMEYENGSERVER\HP PageWide XL 4100PS MFP-HPGL2

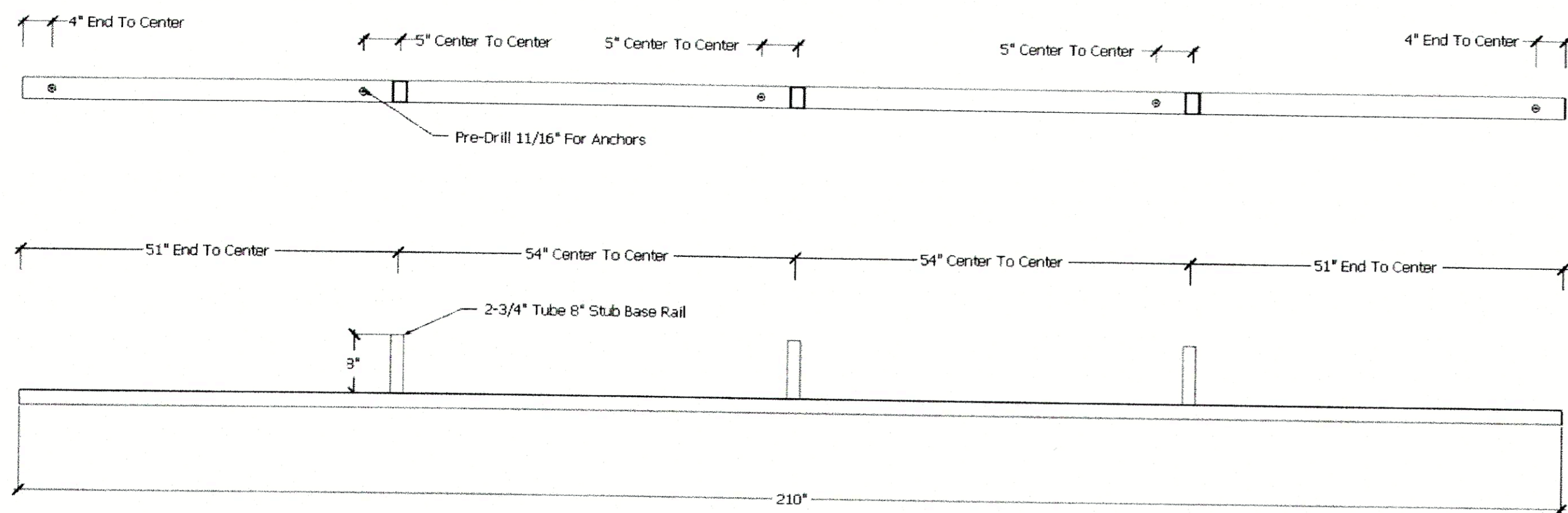




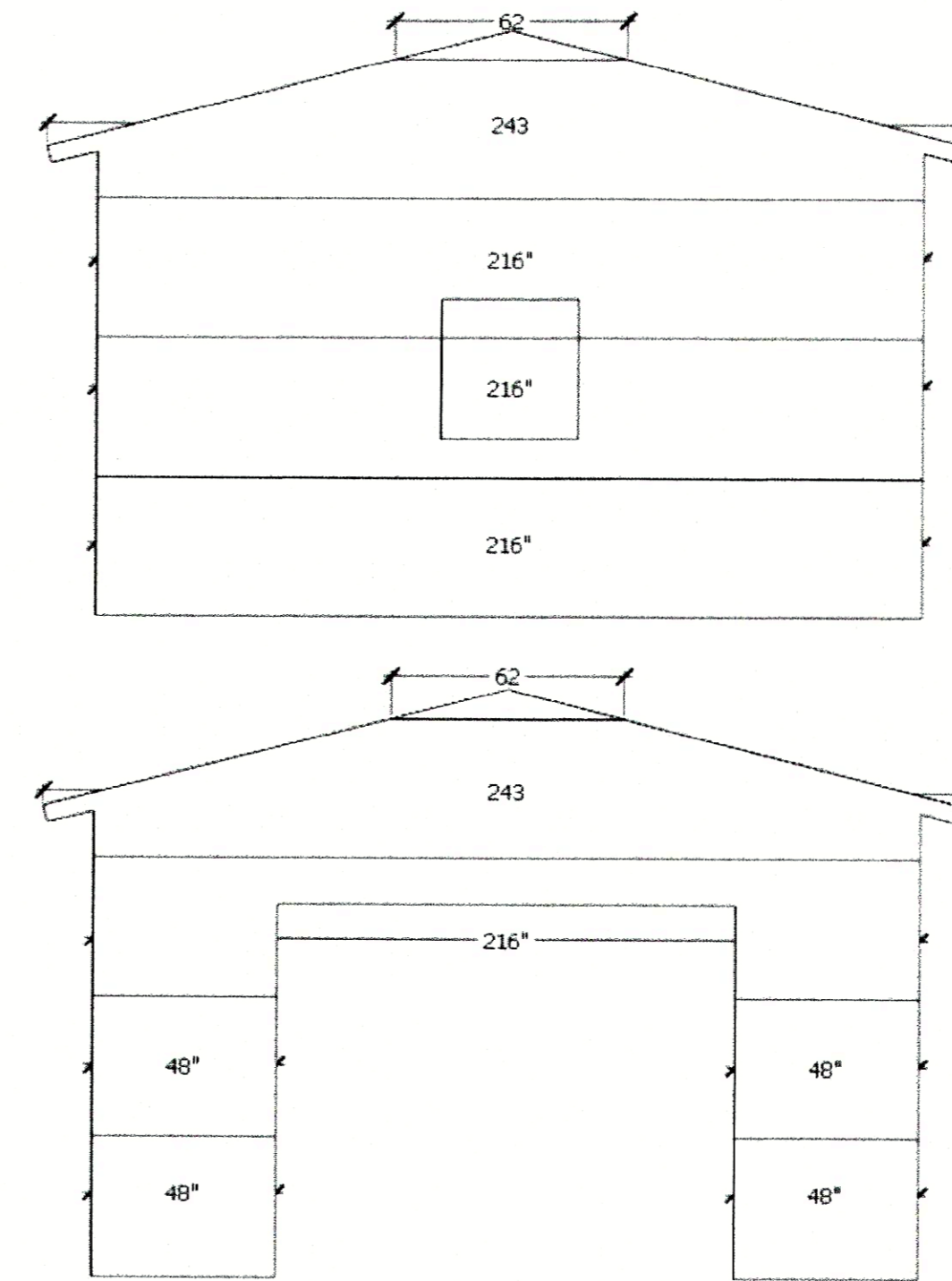
**1 BASE PLAN FRONT - TWO REQUIRED**  
SCALE: N.T.S.



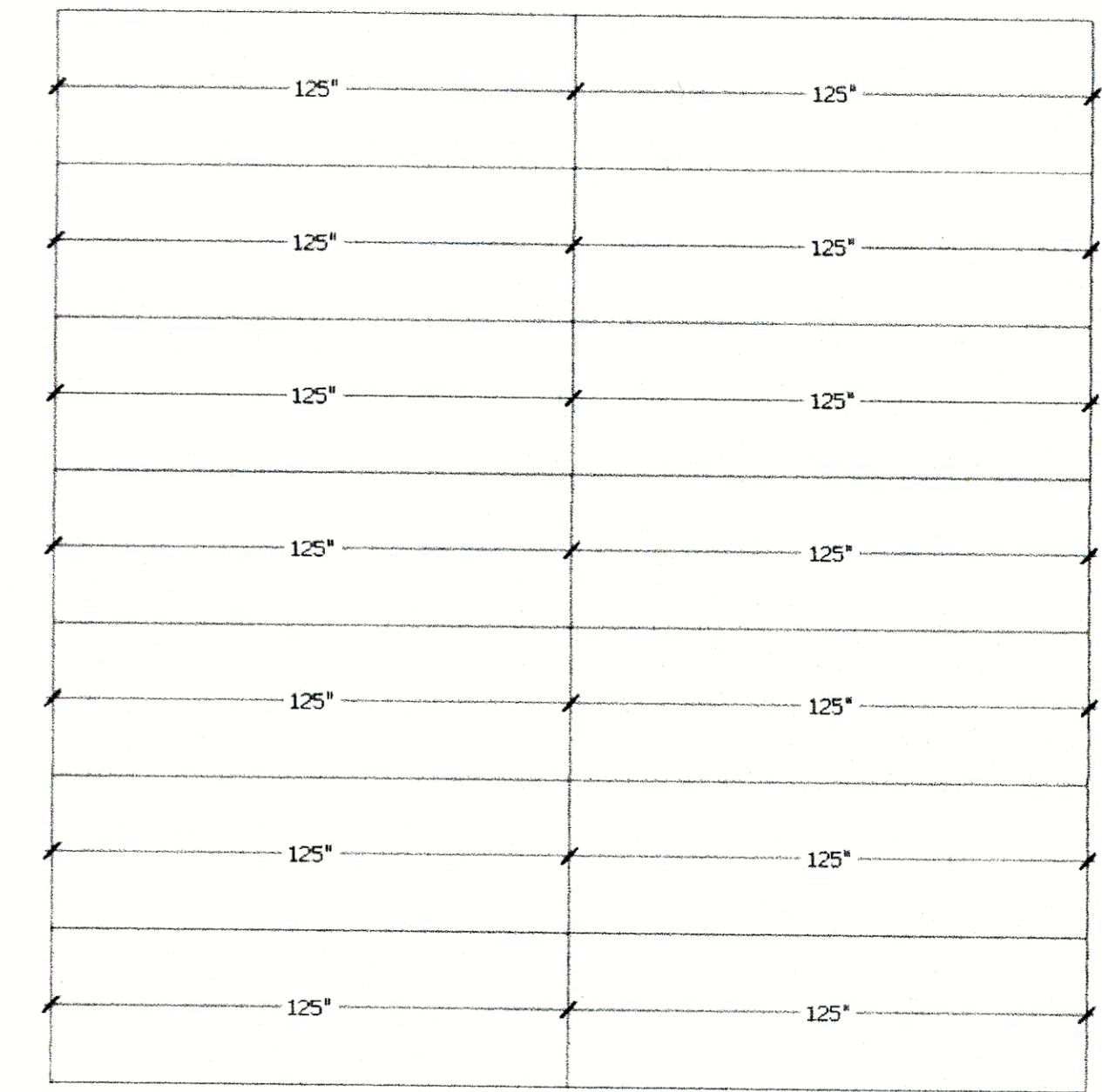
**2 BASE RAILS - SIDE WALL - TWO REQUIRED**  
SCALE: N.T.S.



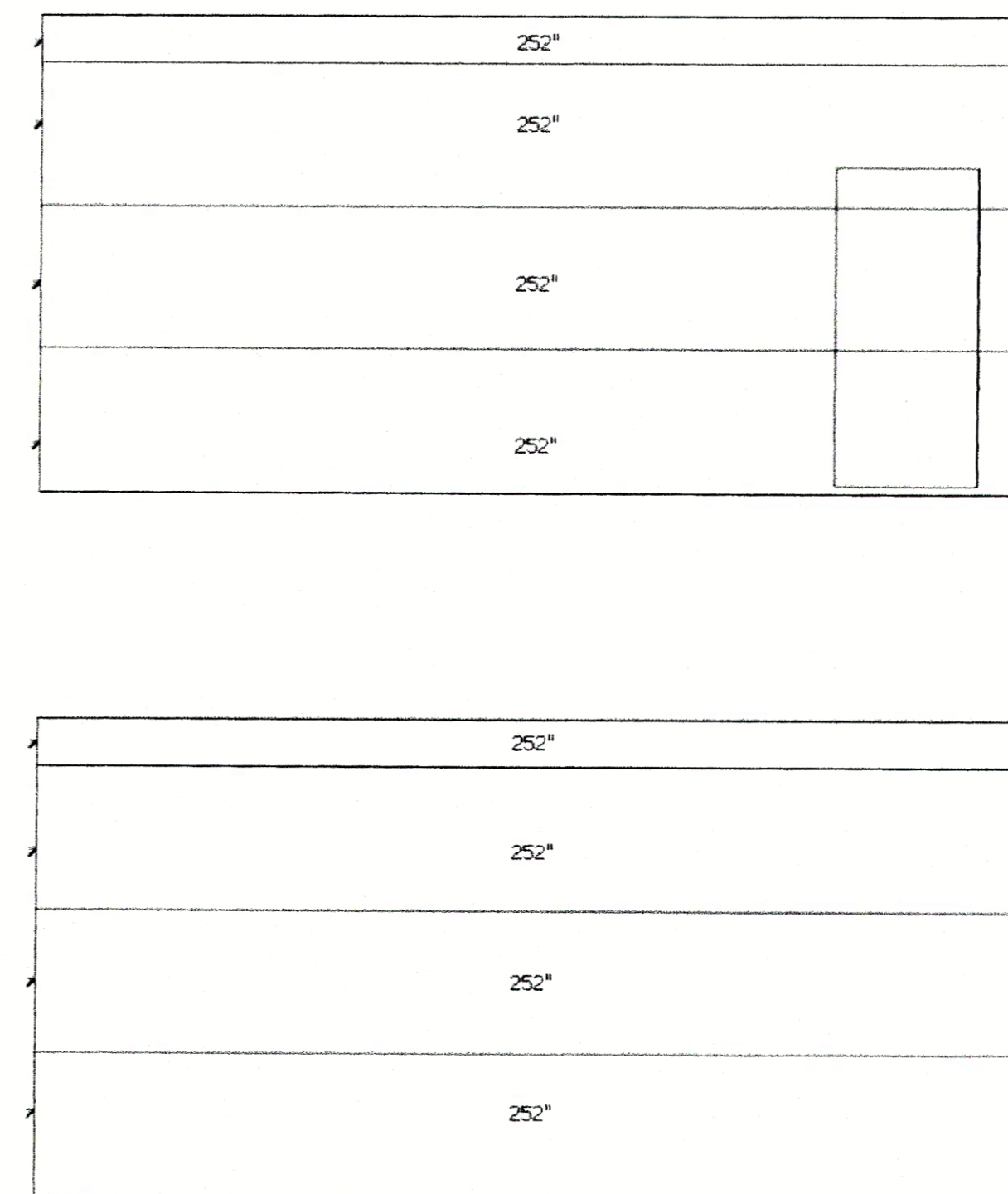
**3 BASE RAIL REAR - ONE REQUIRED**  
SCALE: N.T.S.



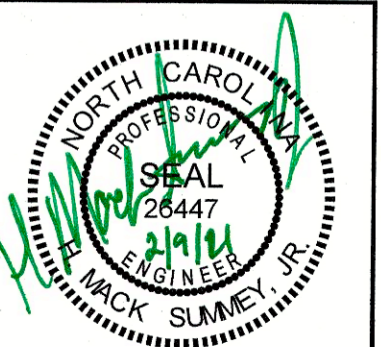
**4 FRONT AND REAR SHEATHING**  
SCALE: N.T.S.



**6 ROOF SHEATHING PLAN**  
SCALE: N.T.S.



**5 LEFT AND RIGHT SIDE SHEATHING**  
SCALE: N.T.S.



**Summy Engineering Associates, PLLC**  
Engineering - Land Planning - Consulting  
PO Box 266, Asheville, NC 27204  
Ph: 336-328-0902 Fx: 336-328-0922  
www.summyengineering.com

| No. | Date       | Description                        |
|-----|------------|------------------------------------|
| A   | 00.00.0000 | PRELIMINARY PLAN FOR CLIENT REVIEW |

**FRAMING PLANS**  
**TRIAD CORRUGATED METAL**  
**18' X 21' METAL BUILDING FOR**  
**COLIN THOMPSON**  
424 PEANUT LANE  
MOORE COUNTY - CAMERON - NORTH CAROLINA

|             |              |
|-------------|--------------|
| Scale:      | 3/4" = 1'-0" |
| Date:       | FEB. 2021    |
| Drawn By:   | PRC          |
| Checked By: | HMSJ         |
| Job No.:    | E-6864       |
| Sheet No.:  |              |

S-4  
4 of 4