

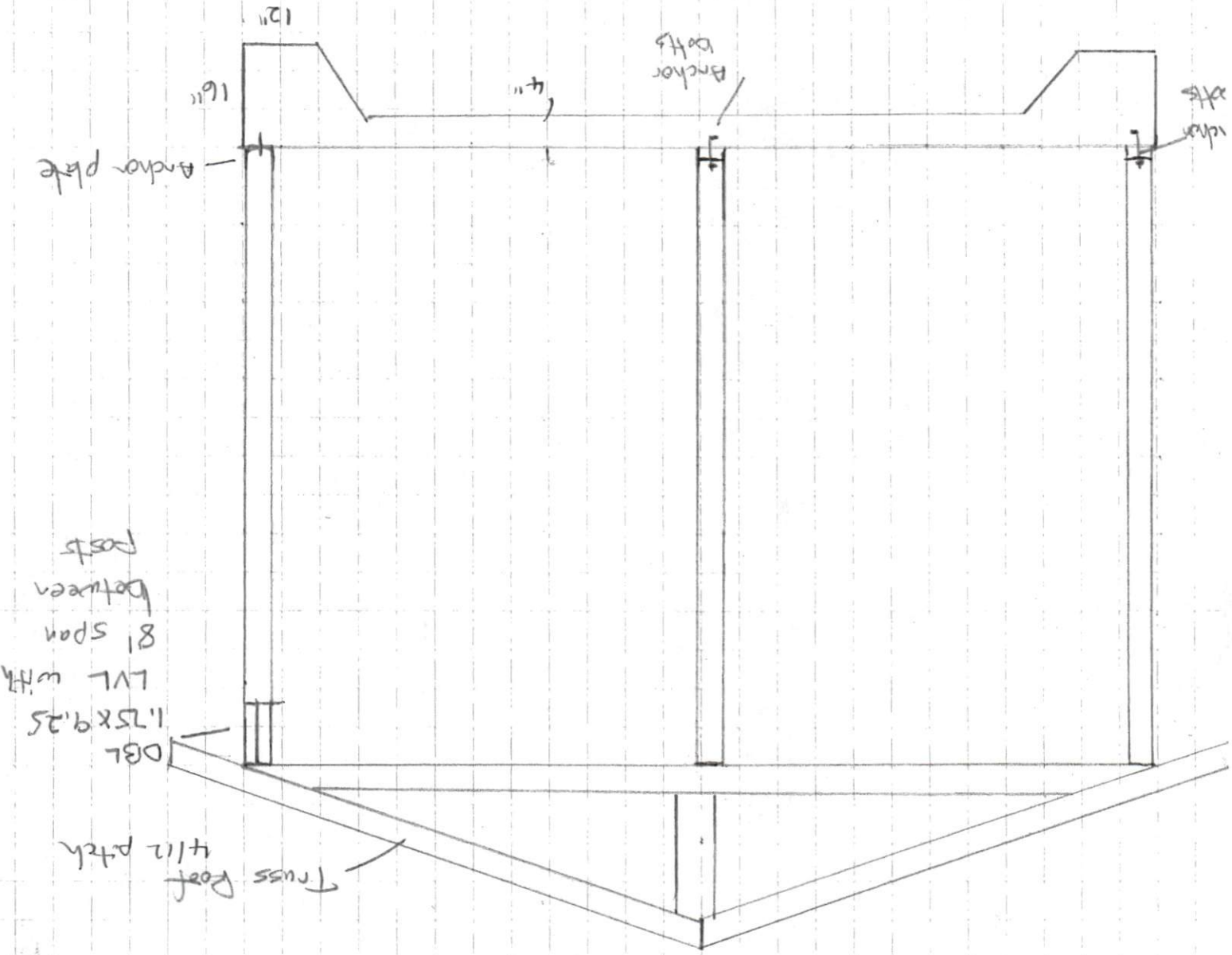
NOTICE TO CONTRACTOR
 All construction shall comply with current NC Building Codes and is subject to field inspection and enforcement.

APPROVED
 Limited Building only review
 Permit holder responsible for full compliance with the code

01/29/2021

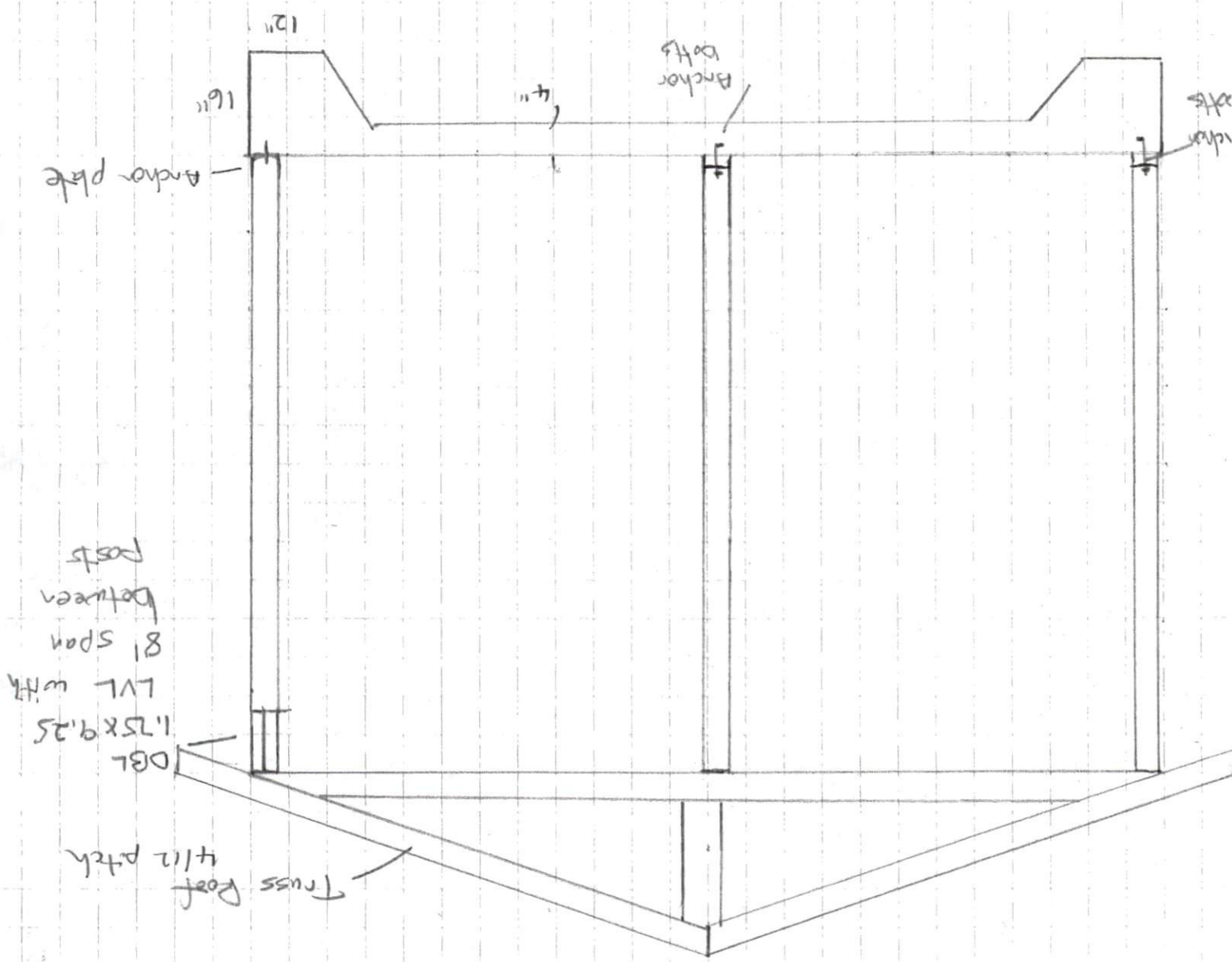
Bohler

HARNETT COUNTY
 NORTH CAROLINA



Paul Roberts
 Blue Day Residential
 (919) 606-0658

Nathan Ingram
 314 Wilson Lucas Rd
 Dunn, NC



Anchor bolts

Anchor plate

Anchor bolts

4"

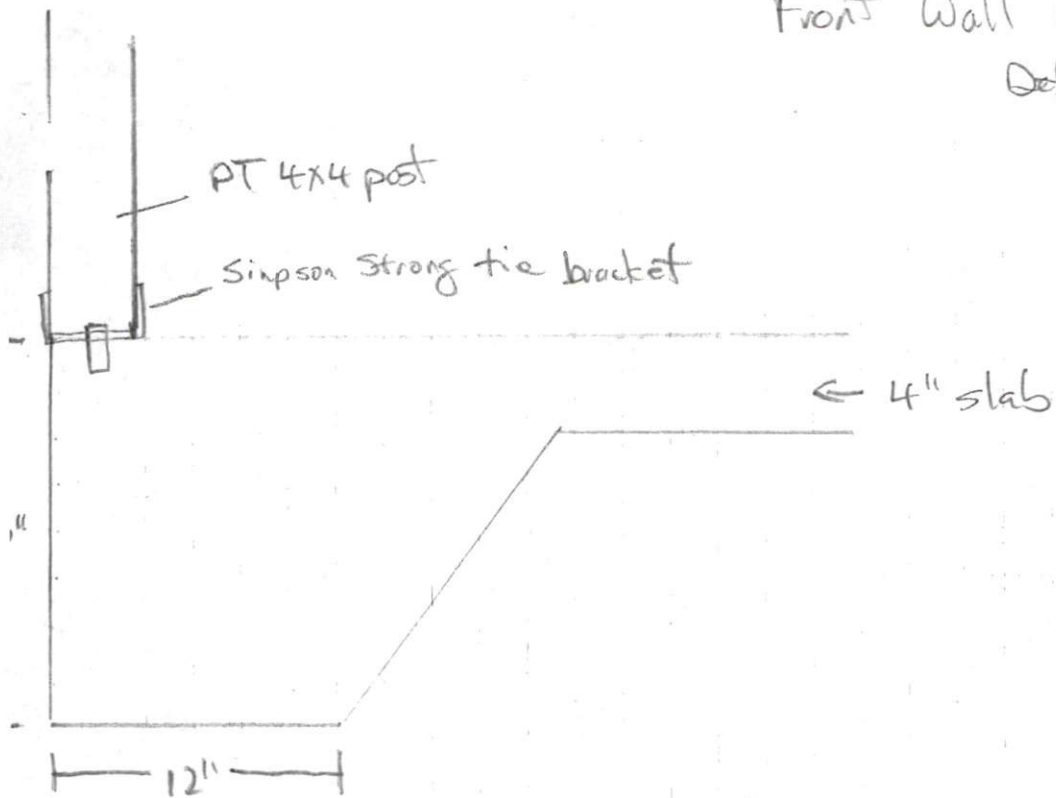
12"
16"

1.75 x 9.25
LVL with
8' span
between
posts

OSB

Truss Roof
4/12 pitch

Front Wall covered area Detail



Back Wall Detail + Front Storage Detail

