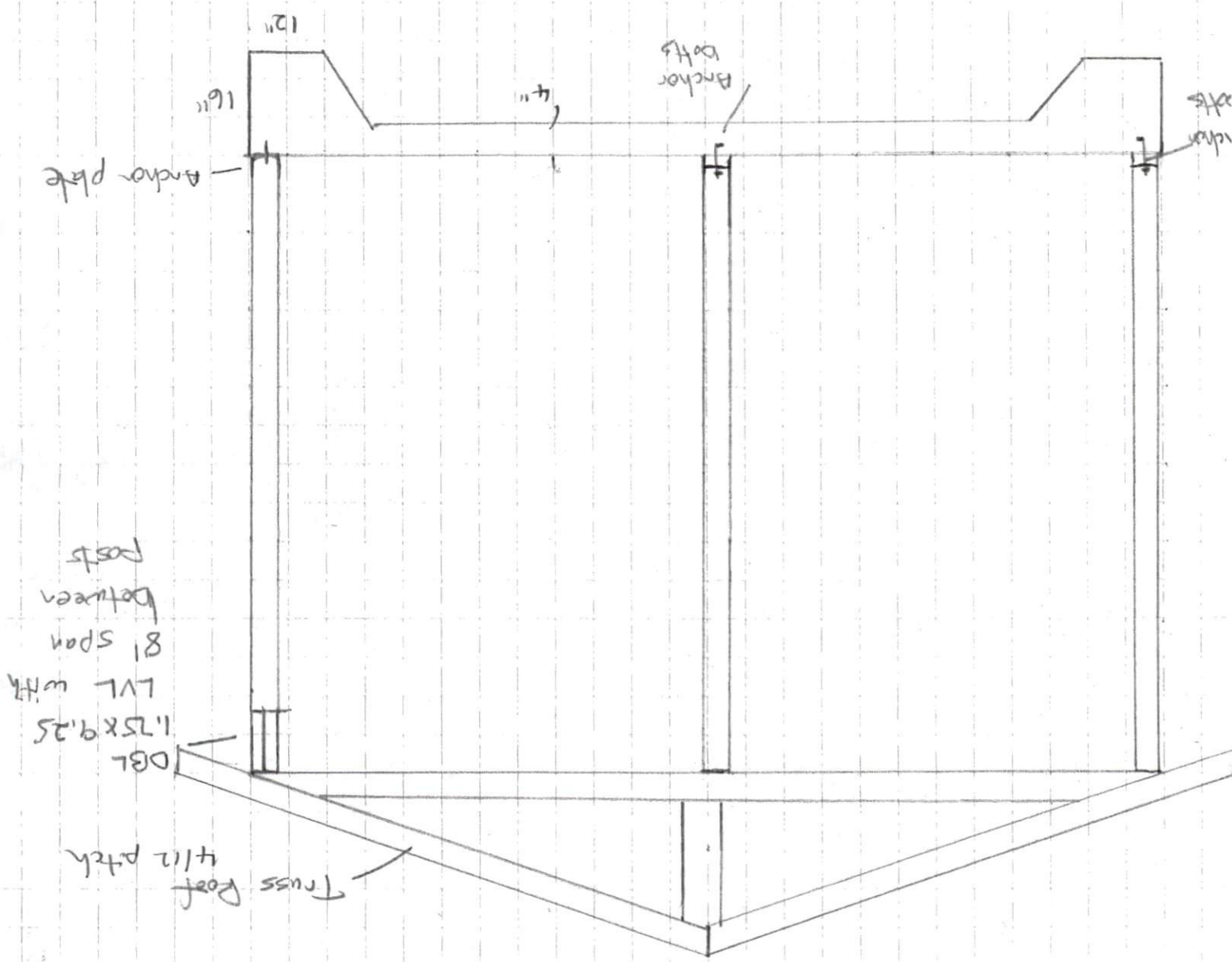


Paul Roberts  
 Blue Dog Residential  
 (919) 606-0658

Nathan Ingram  
 314 Wilson Lucas Rd  
 Dunn, NC



Anchor bolts

Anchor plate

Anchor bolts

4"

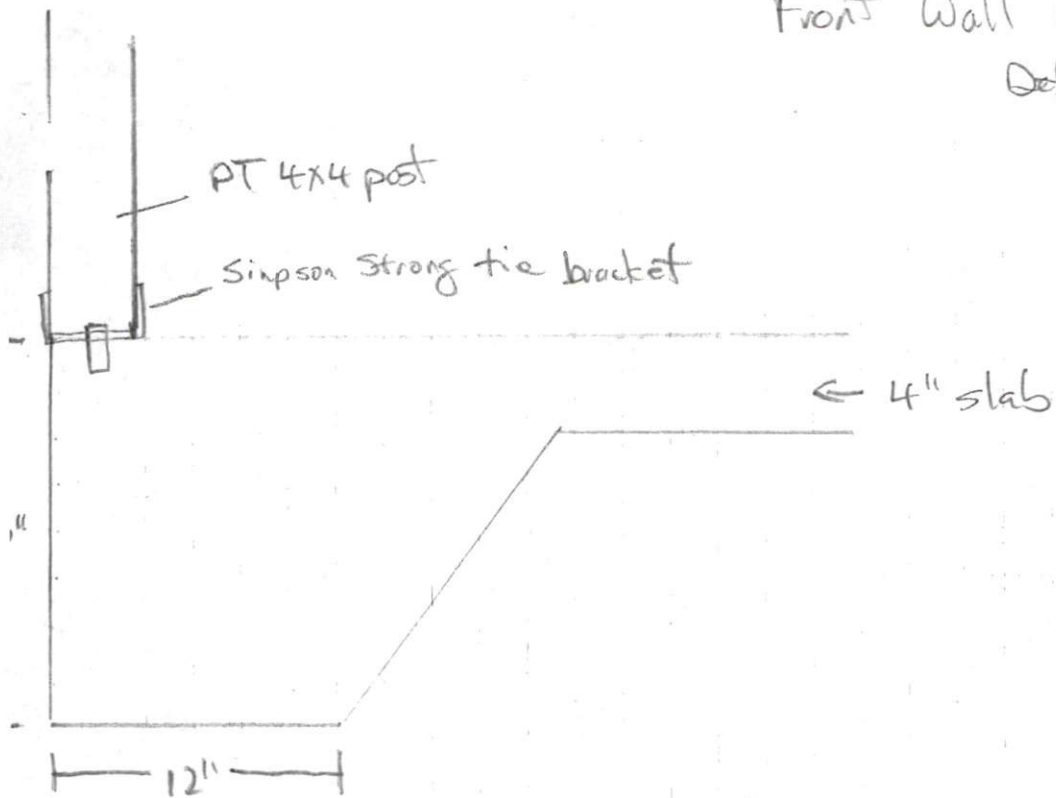
12"  
16"

1.75 x 9.25  
LVL with  
8' span  
between  
posts

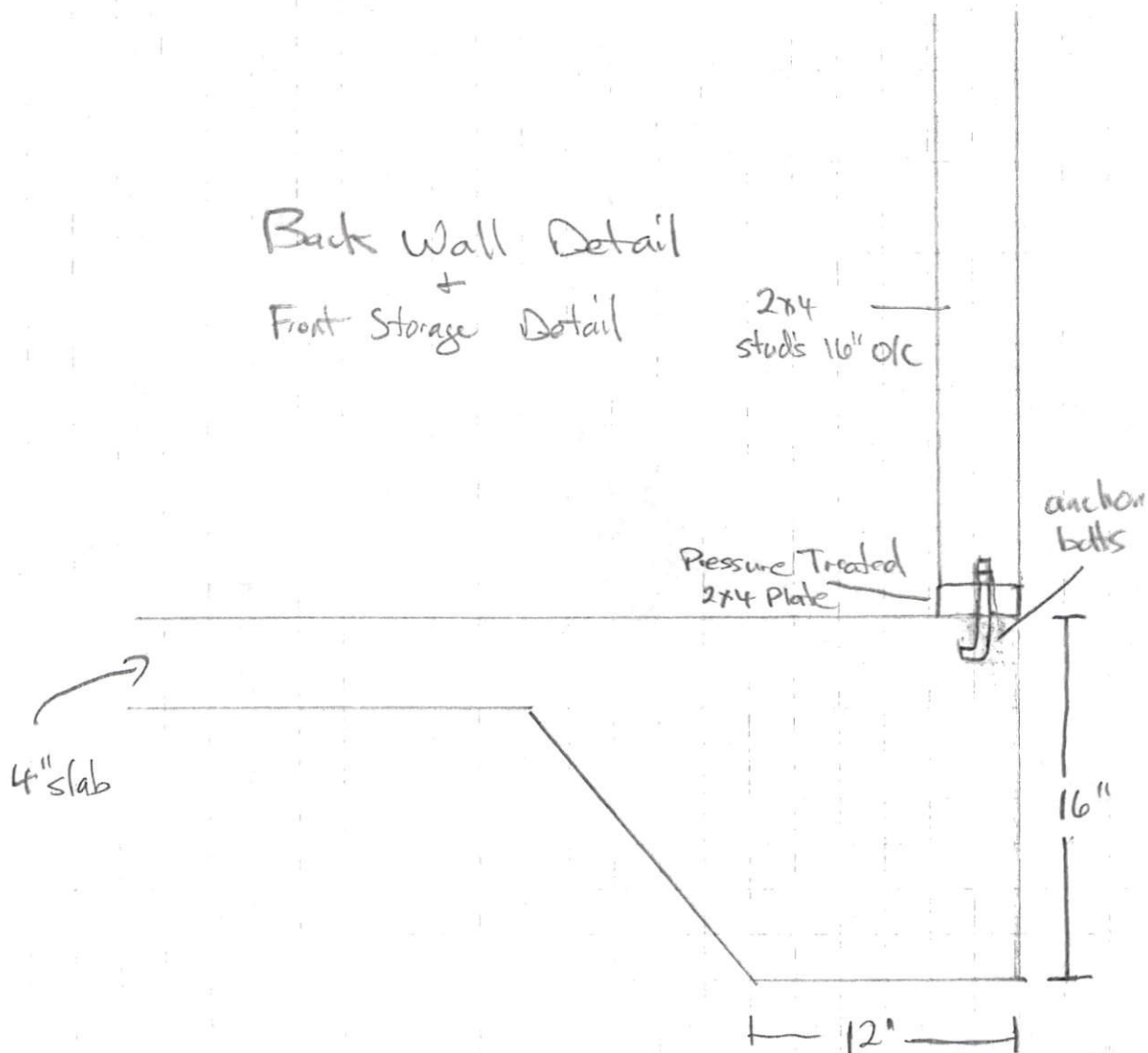
OSB

Truss Roof  
4/12 pitch

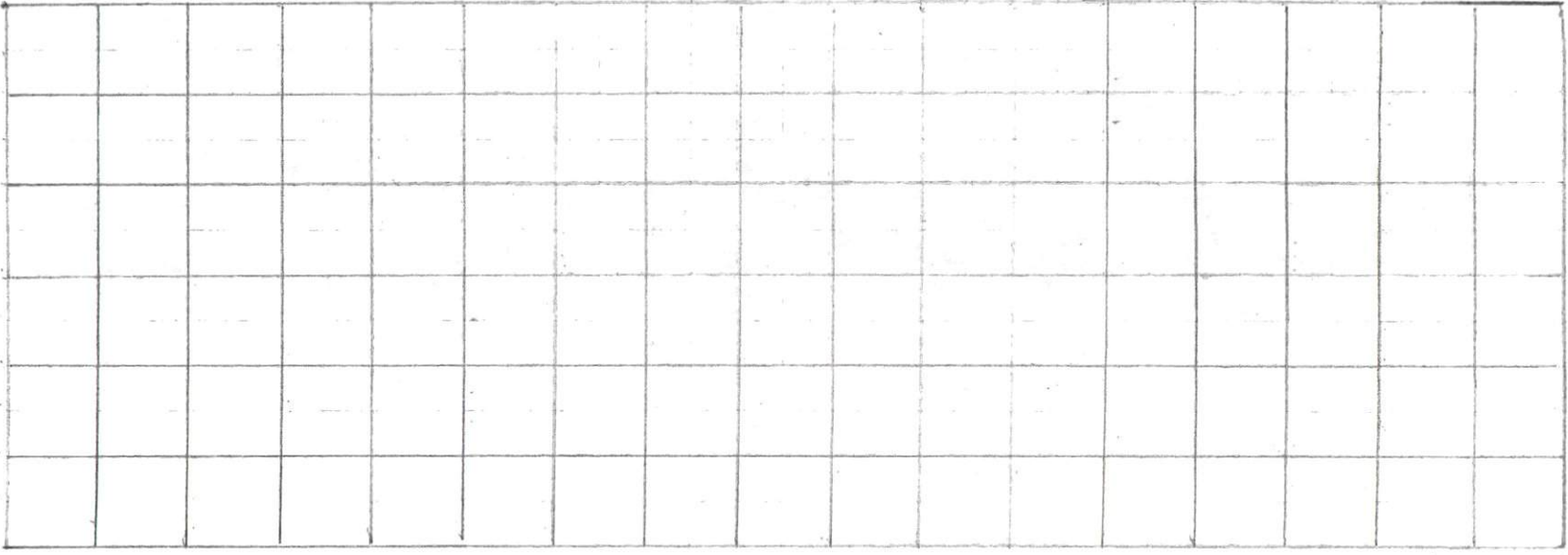
# Front Wall covered area Detail



# Back Wall Detail + Front Storage Detail



34



1x4  
Purlines  
2x4  
o/c  
121

Truss layout  
2' spacing  
1-24