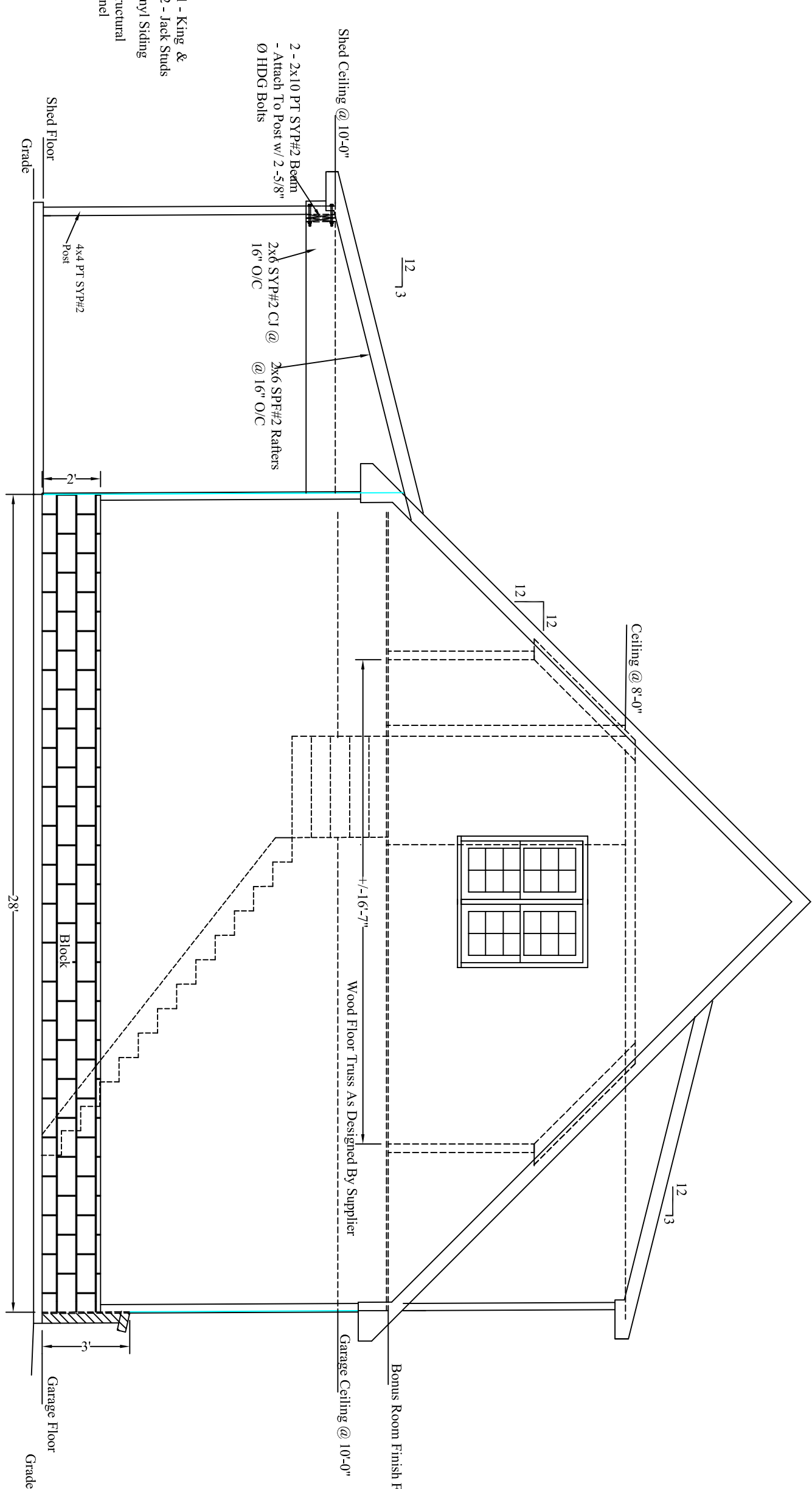
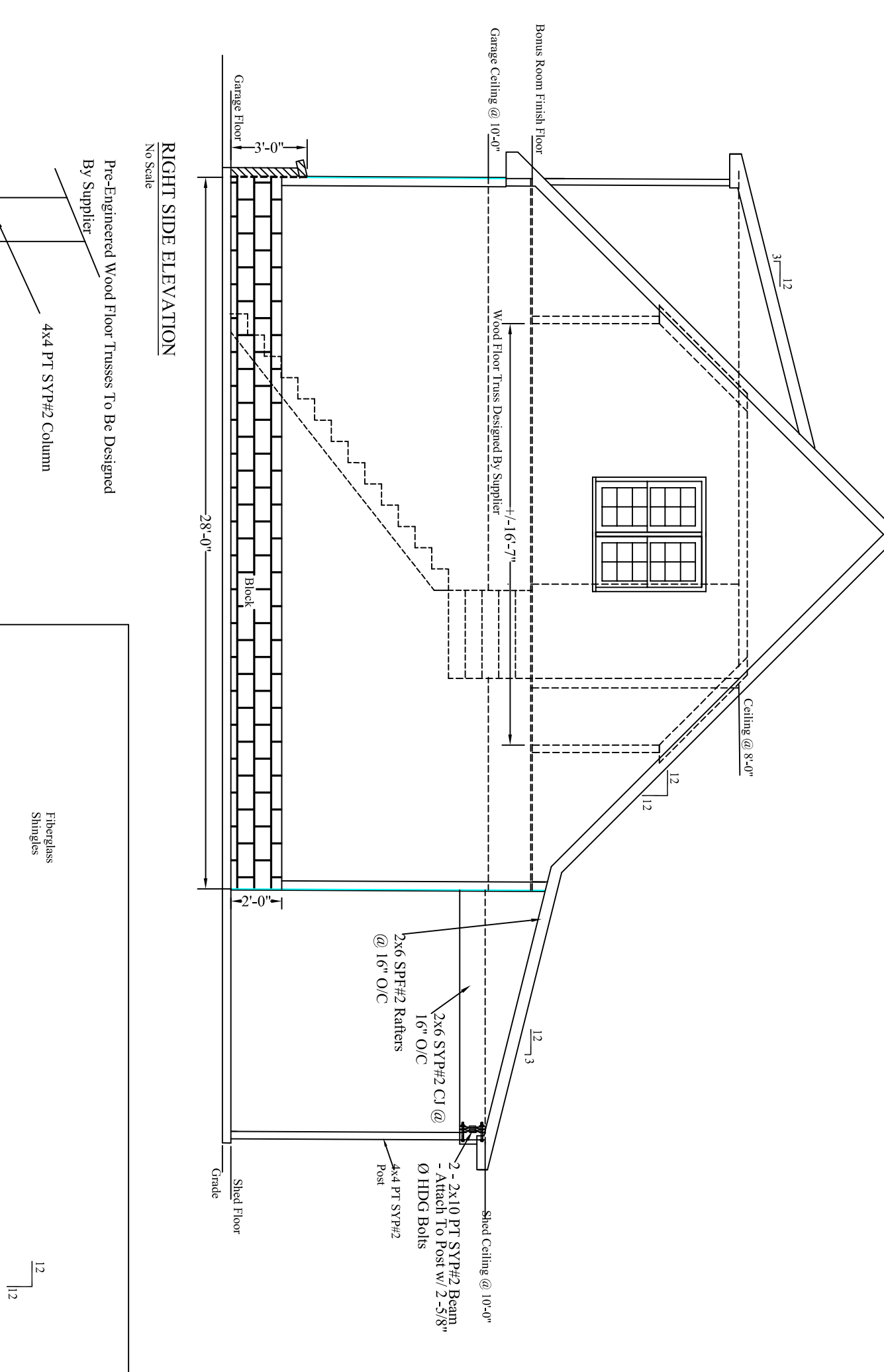


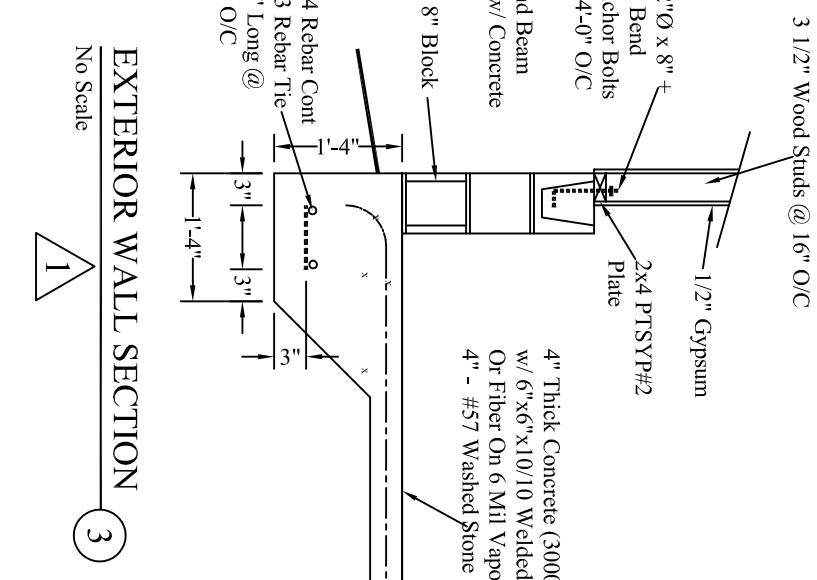
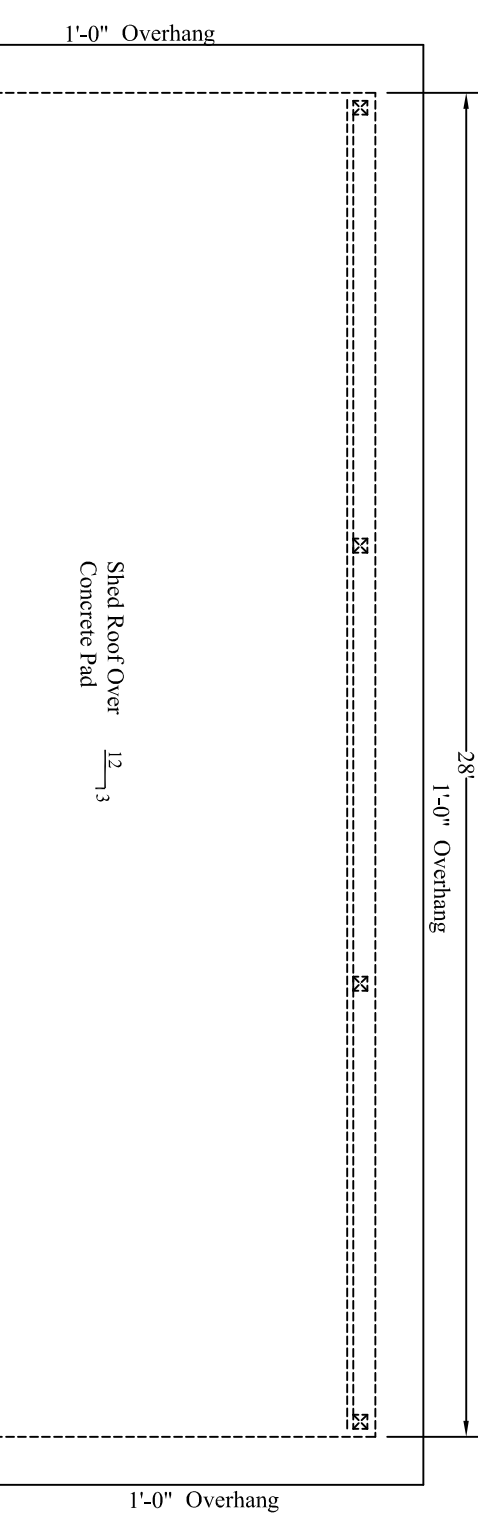
FRONT ELEVATION
 (Showing Detail Frame Per Table R602.7.5
 And Figure R602.10.1)
 Pre-Engineered Wood Floor Trusses To Be Designed
 By Supplier
 Scale: 1/4" = 1'-0"



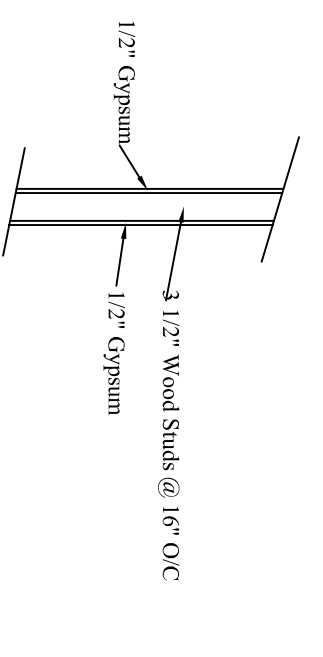
LEFT SIDE ELEVATION
 Scale: 1/4" = 1'-0"
 Pre-Engineered Wood Floor Trusses To Be Designed
 By Supplier



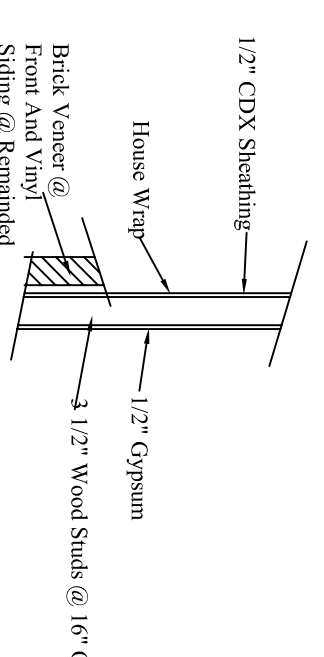
RIGHT SIDE ELEVATION
 No Scale
 Pre-Engineered Wood Floor Trusses To Be Designed
 By Supplier



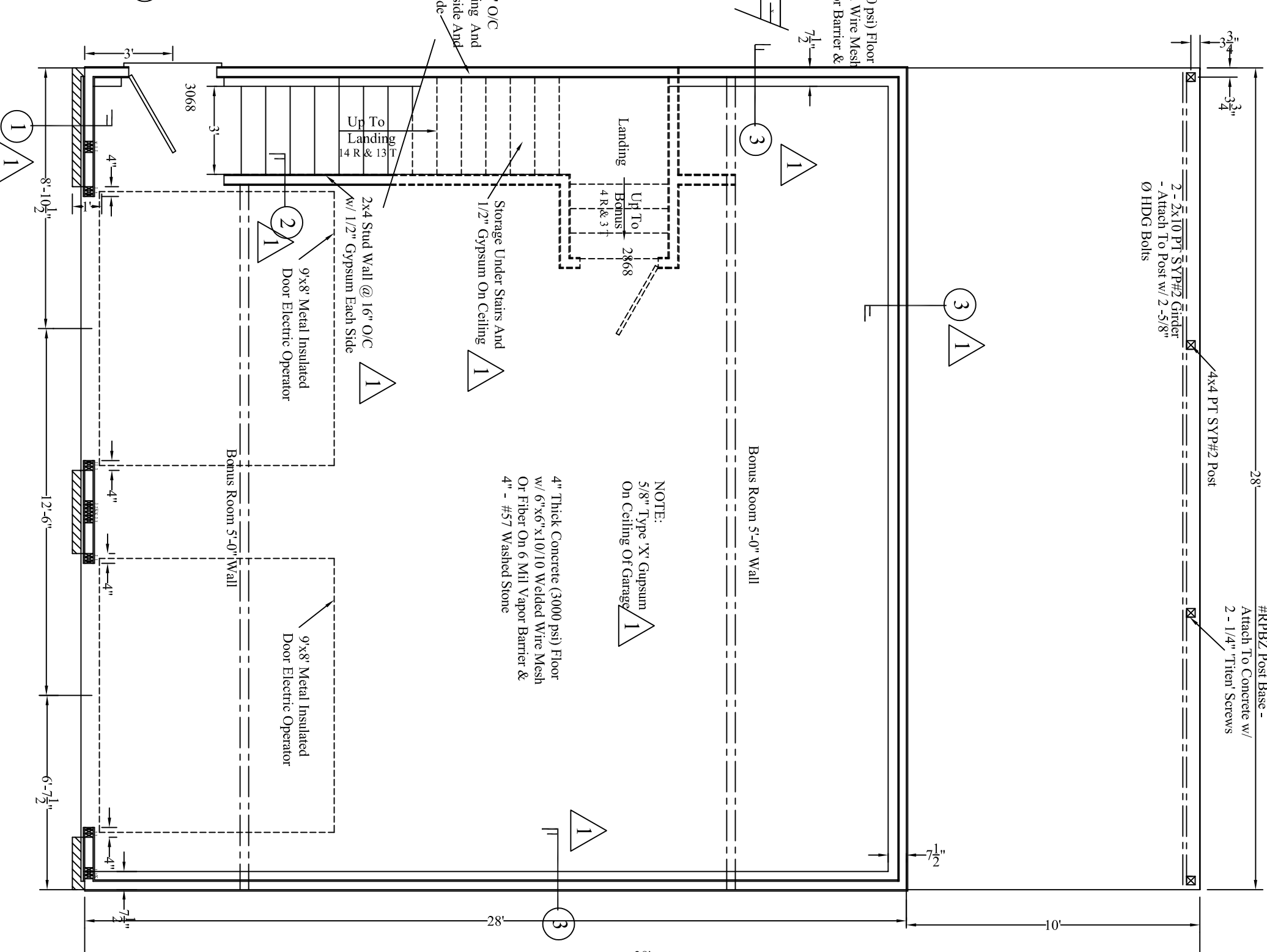
EXTERIOR WALL SECTION
 No Scale



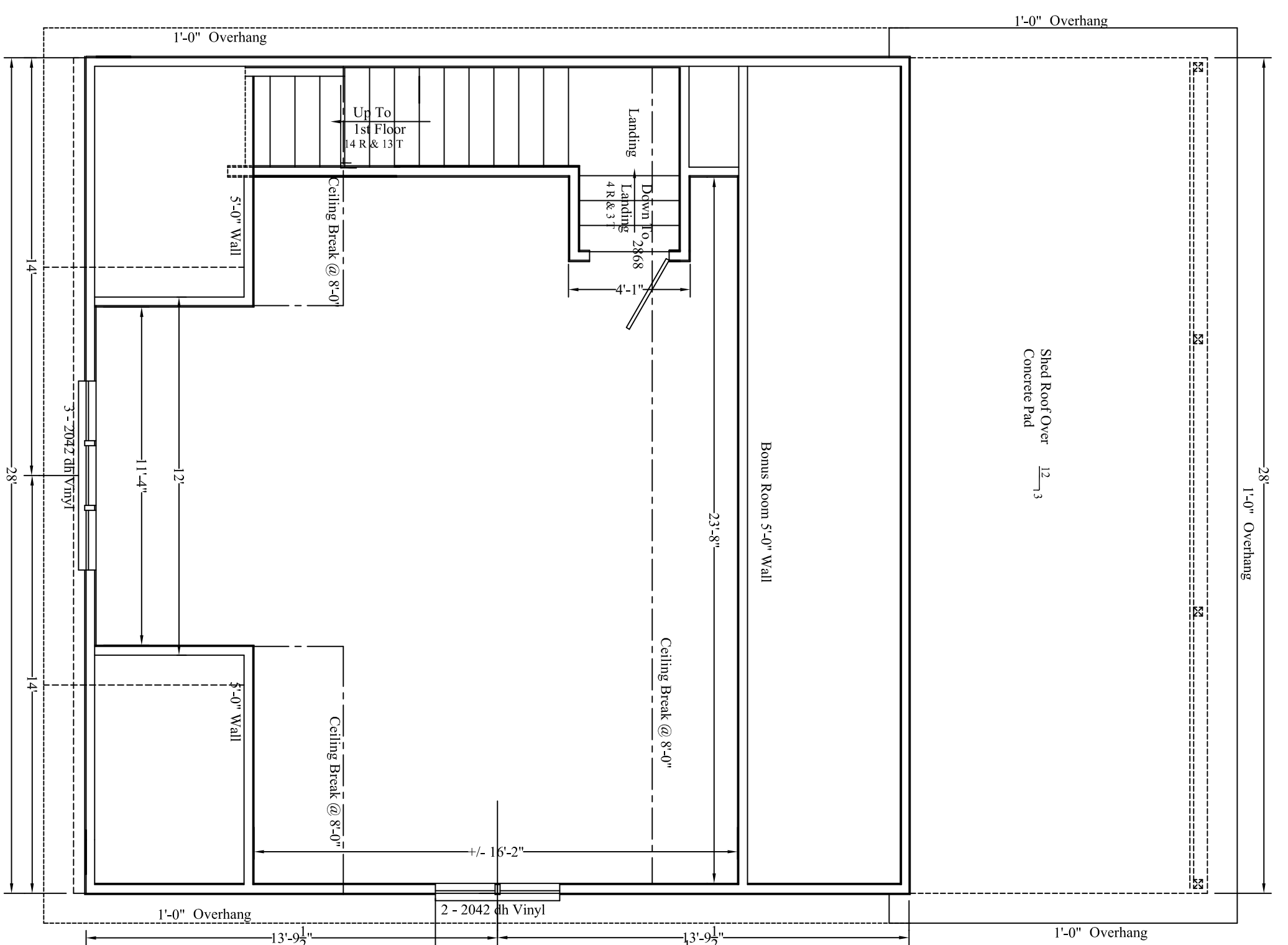
INTERIOR WALL SECTION
 No Scale



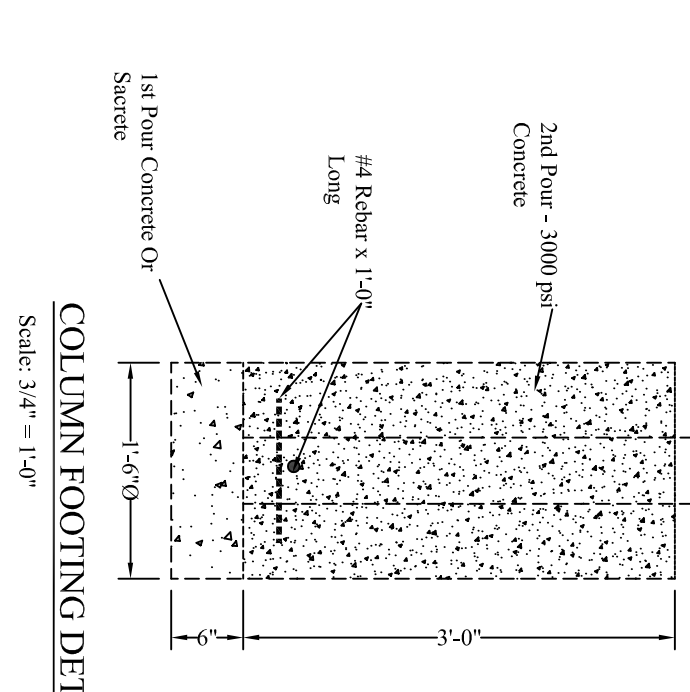
EXTERIOR WALL SECTION
 No Scale



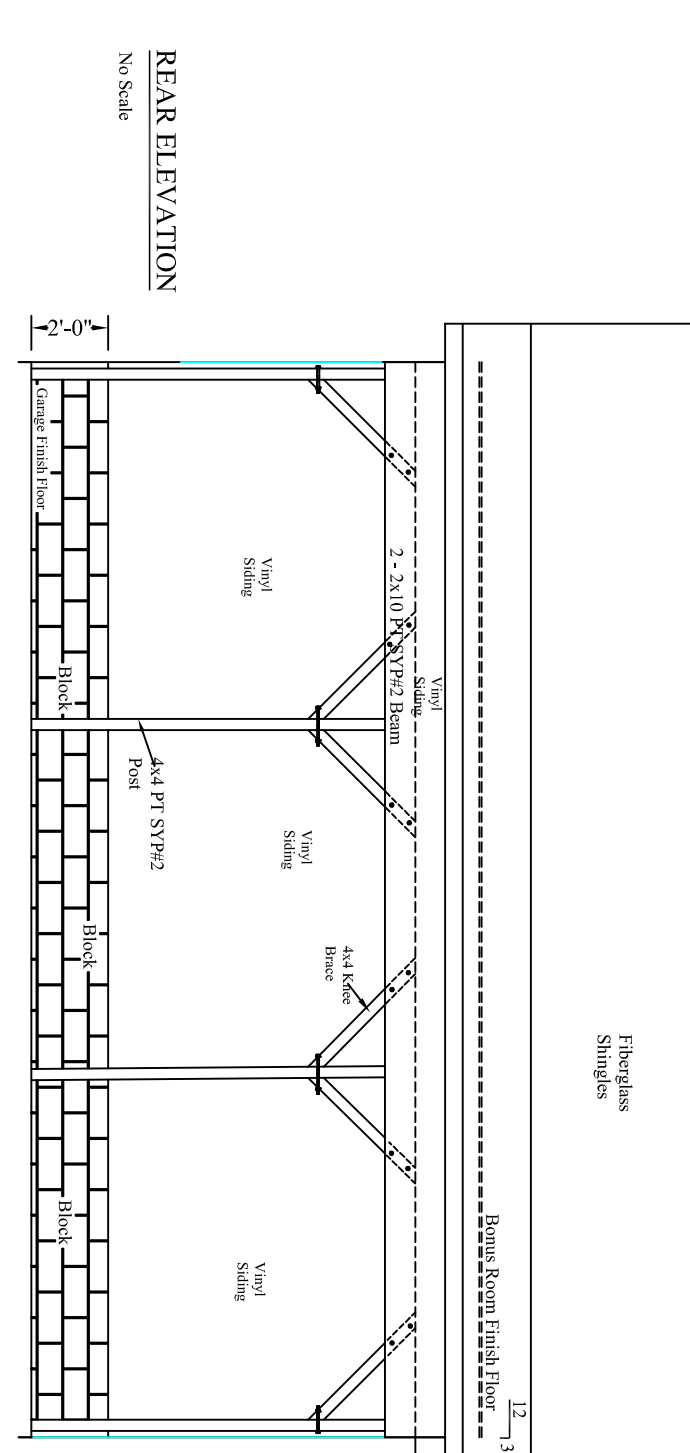
1st FLOOR PLAN
 10'-0" Ceiling
 Scale: 1/4" = 1'-0"
 Pre-Engineered Wood Floor Trusses To Be Designed
 By Supplier



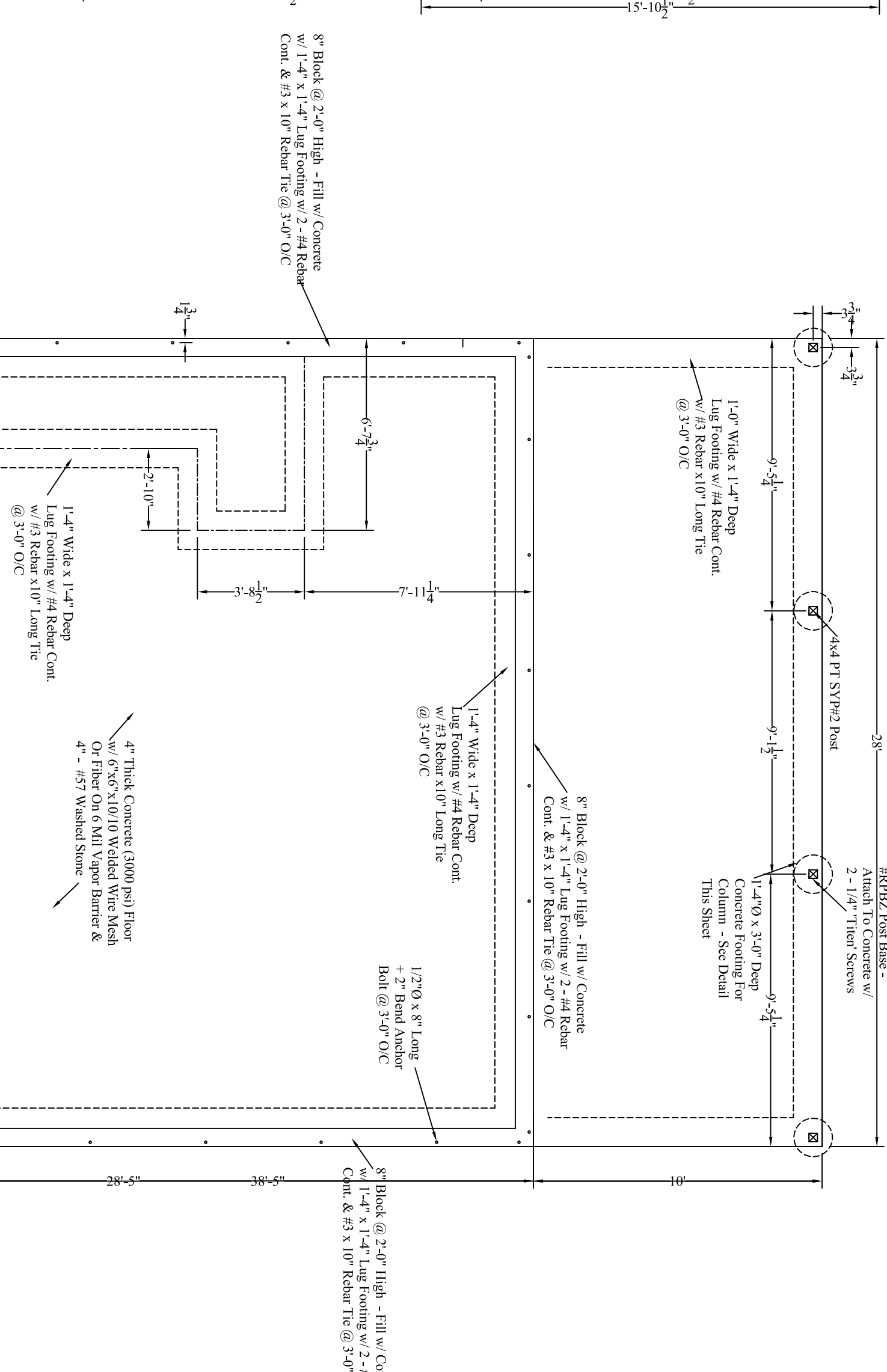
BONUS FLOOR PLAN
 10'-0" Ceiling
 Scale: 1/4" = 1'-0"
 Pre-Engineered Wood Floor Trusses To Be Designed
 By Supplier



COLUMN FOOTING DETAIL
 Scale: 3/4" = 1'-0"



REAR ELEVATION
 No Scale



FOUNDATION PLAN
 Scale: 1/4" = 1'-0"

DRAFTING SERVICES NOTE
 1. All dimensions are for heating structural elements and general checking only.
 2. Dimensions are to be per architectural plans.
 3. All dimensions are to be checked and confirmed any discrepancies w/ Drafting Services.

DRAFTING SERVICES
 1810 CARBONTON ROAD
 SANFORD, NC 27330
 919-776-6861