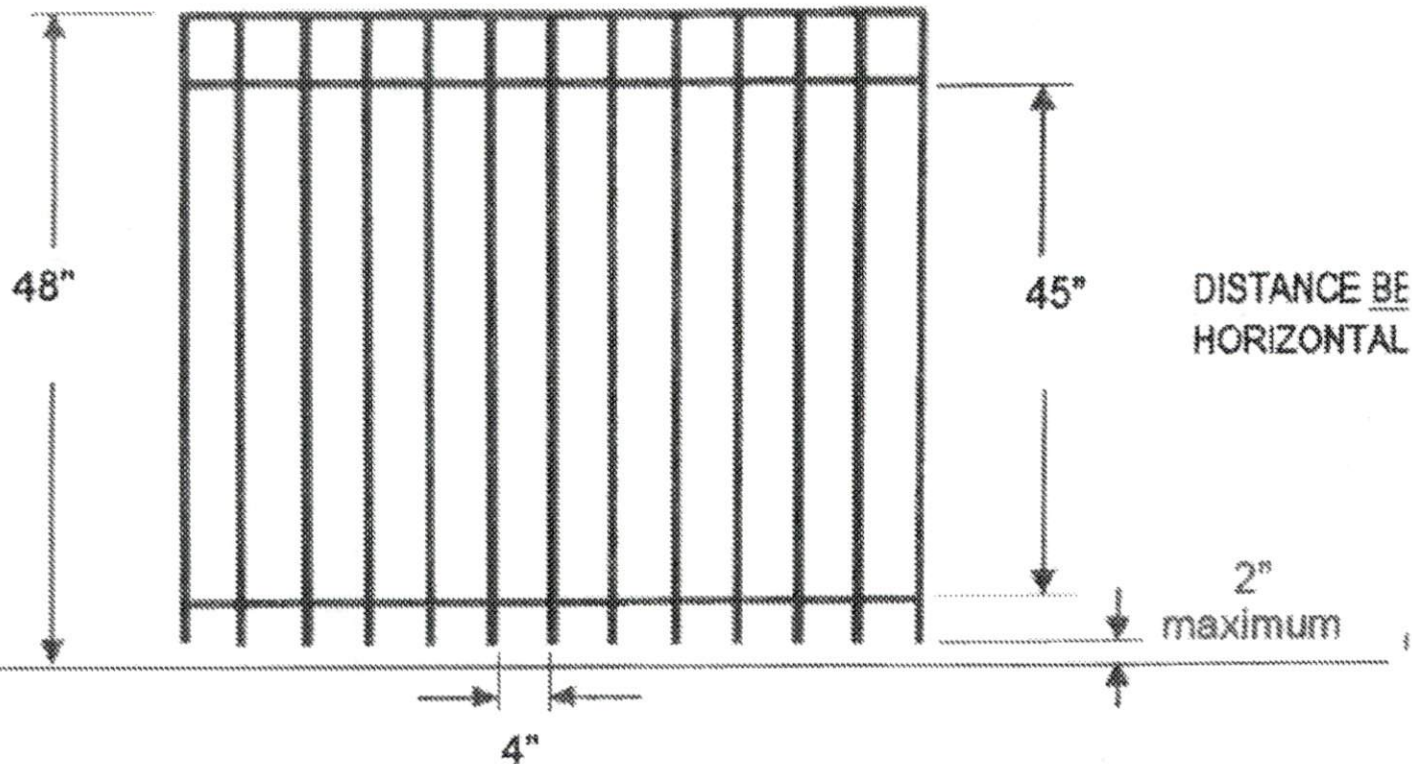


Material: POLYMER
 Finish: BLACK
 Fasteners: (1) #6 X 3/4", PAN HEAD, TYPE A8, TAPPING SCREW
 (1) #10 X 1", PAN HEAD, TYPE A8, TAPPING SCREW
 (2) #10 X 1.50", PAN HEAD, TYPE A8, TAPPING SCREW
 (2) RET. BLANK-RW1

Revision	1	DO NOT SCALE	SNH6208	N346-210
Date	March 2019	Dimensions are nominal and subject to change.	Family Name	SLS
		©2019 Spectrum Brands, Inc.	Description	MAGNA LATCH, TOP PULL



DISTANCE BE
HORIZONTAL

2"
maximum

DISTANCE BETWEEN
VERTICAL MEMBERS

METAL FENCE
(aluminum)