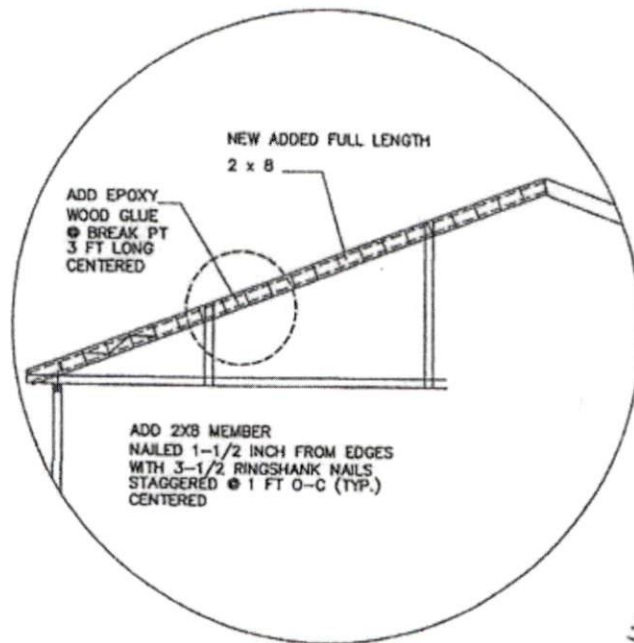


CROSS SECTION VIEW
N.T.S.



REPAIR DETAIL

549 WORD CHURCH ROAD
RAFTER REPAIR DETAIL



02-10-2022