

NOTICE TO CONTRACTOR
All construction must comply with current NC Building Codes and is subject to field inspection and verification.

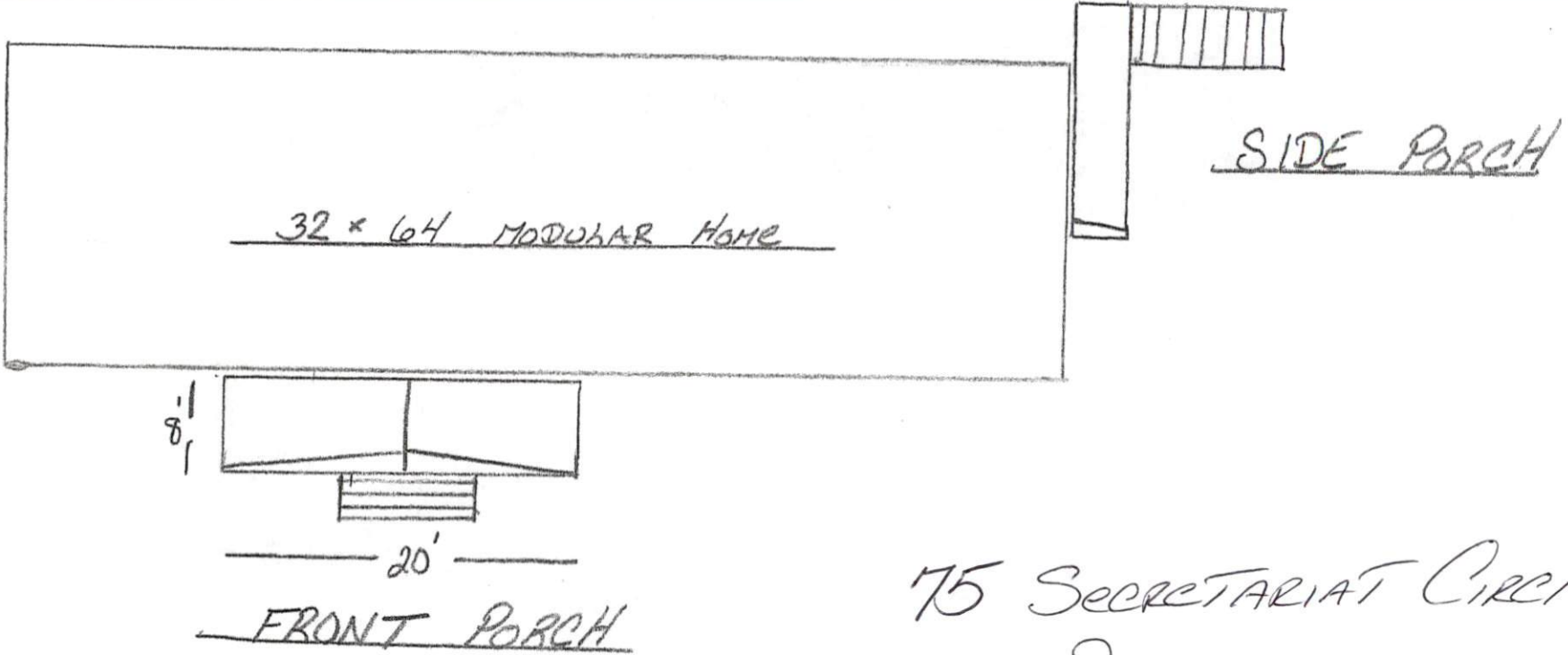
APPROVED
Limited building only review
Permit holder responsible for full compliance with the code

11/23/2020



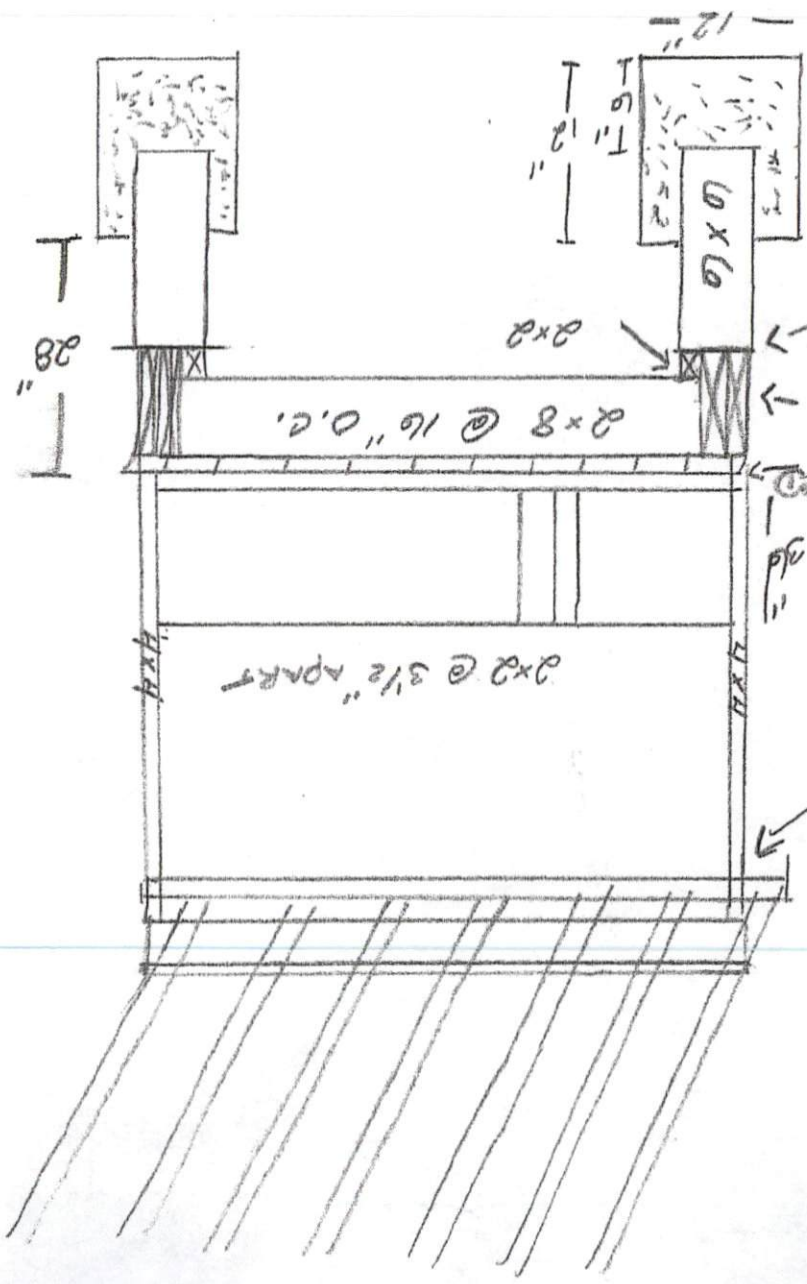
See notes for front porch.

Use this plan only!



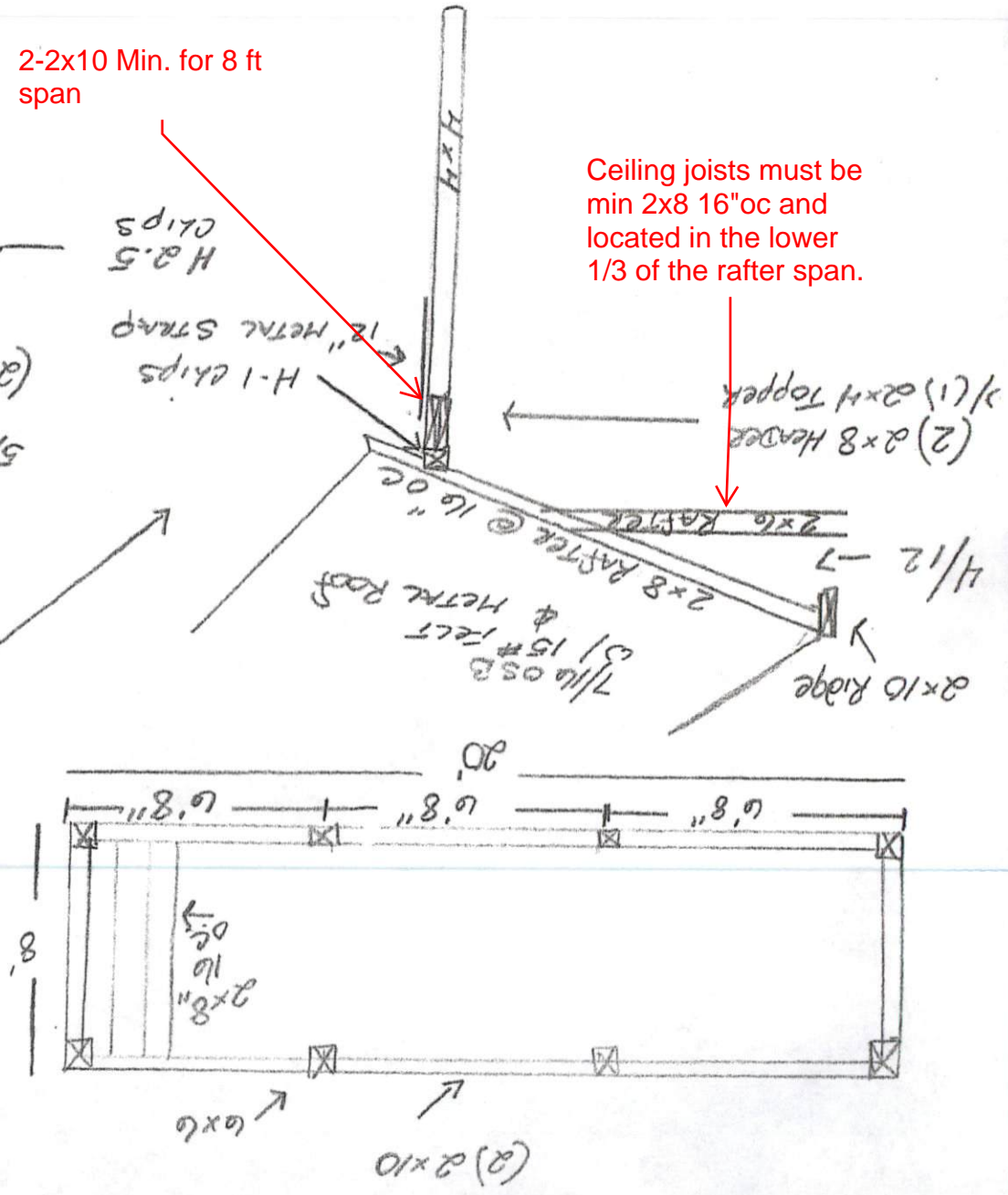
75 SECRETARIAT Circle
SAWFORD, NC

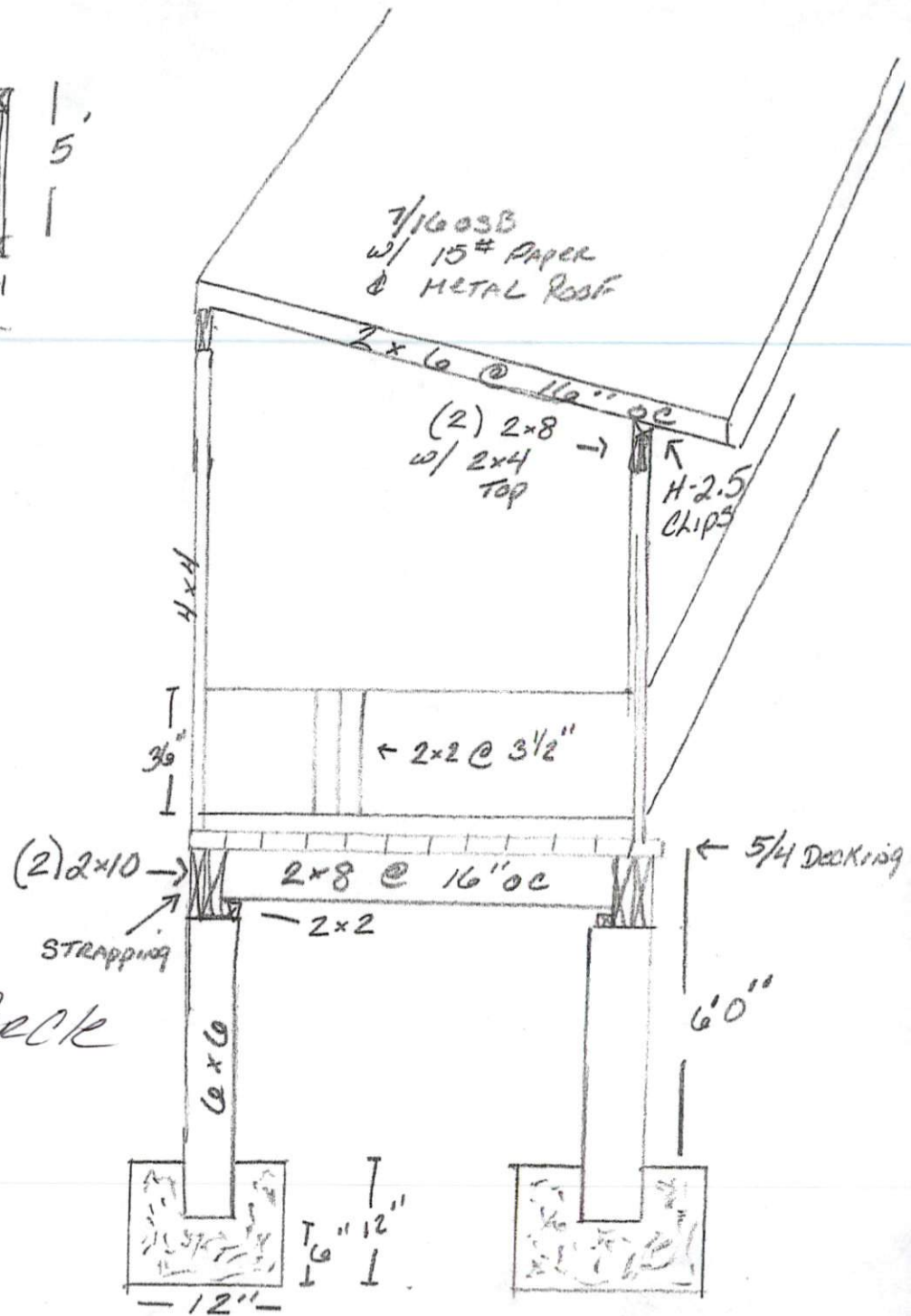
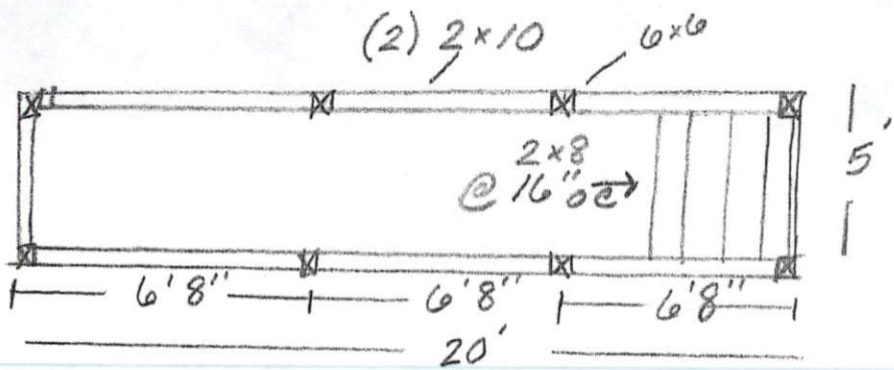
FRONT PORCH
 HS SECRETARIAT Circle
 SAFFORD, D.C.



2-2x10 Min. for 8 ft span

Ceiling joists must be min 2x8 16" oc and located in the lower 1/3 of the rafter span.





SIDE PORCH

75 SECRETARIAT Circle
 SANFORD, NC.