



GREAT DAY IMPROVEMENTS, RALEIGH
HINNANT RESIDENCE

MINIMUM DESIGN LOADS: (PER 2018 NC RESIDENTIAL BUILDING CODE / 2015 IRC)

SUNROOM CATEGORY II (PER 2015 IRC R301.2.1.1.1 & AAMA / NPEA / NSA 2100))

DEAD LOADS:

1. ROOF: 15 PSF
2. WALLS: 20 PSF
3. FLOOR: 10 PSF

SNOW LOADS: GROUND SNOW LOAD 15 PSF

ULTIMATE DESIGN WIND SPEED: 120 MPH, 3 SEC. GUSTS

LIVE LOADS:

1. ROOF: 40 PSF
2. FLOOR: 40 PSF

THIS SUNROOM IS NOT TO BE CONDITIONED OR USED AS A PERMANENT LIVING AREA.

NOTES:

1. ALLVIEW (CA5) SUNROOM; BRONZE IN COLOR
2. CONSTRUCT SUNROOM ON NEW DECK AND UNDER NEW WOOD ROOF
3. NO HEAT BY GDI; ELECTRICAL BY GDI
4. ALL CONCRETE TO BE 3000 PSI MINIMUM
5. ALL LUMBER TO BE SYP #2 OR BETTER AND PRESSURE TREATED WHERE REQUIRED
6. THIS SUNROOM CONSIDERED AS NON-CONDITIONED SPACE, EXEMPT FROM ENERGY REQUIREMENTS (PER 2015 IRC SECTION N1102.1, NOTE 2)

<u>DRAWING #</u>	<u>DESCRIPTION</u>
1	COVER
2	ELEVATION "B" WALL
3	ELEVATION "A" WALL
4	ELEVATION "C" WALL
5	DECK PLAN
6	ELECTRICAL PLAN
7	FLOOR PLAN
8	ROOF PLAN
9	SYSTEM DETAILS
10	SYSTEM DETAILS
11	SYSTEM DETAILS

NOTE: THIS STRUCTURE HAS BEEN EVALUATED FOR VERTICAL AND LATERAL LOADS REQUIRED BY THE 2018 NORTH CAROLINA RESIDENTIAL BUILDING CODE.

SQUARE FOOTAGE OF SUNROOM = 413

LOCATION

GDI - RALEIGH
951 AVIATION PKWY, SUITE 1000
MORRISVILLE, NC. 27560
984-212-8850

JAMES HINNANT
61 NASSAU LANE
SANFORD, NC 27332
JOB #20133

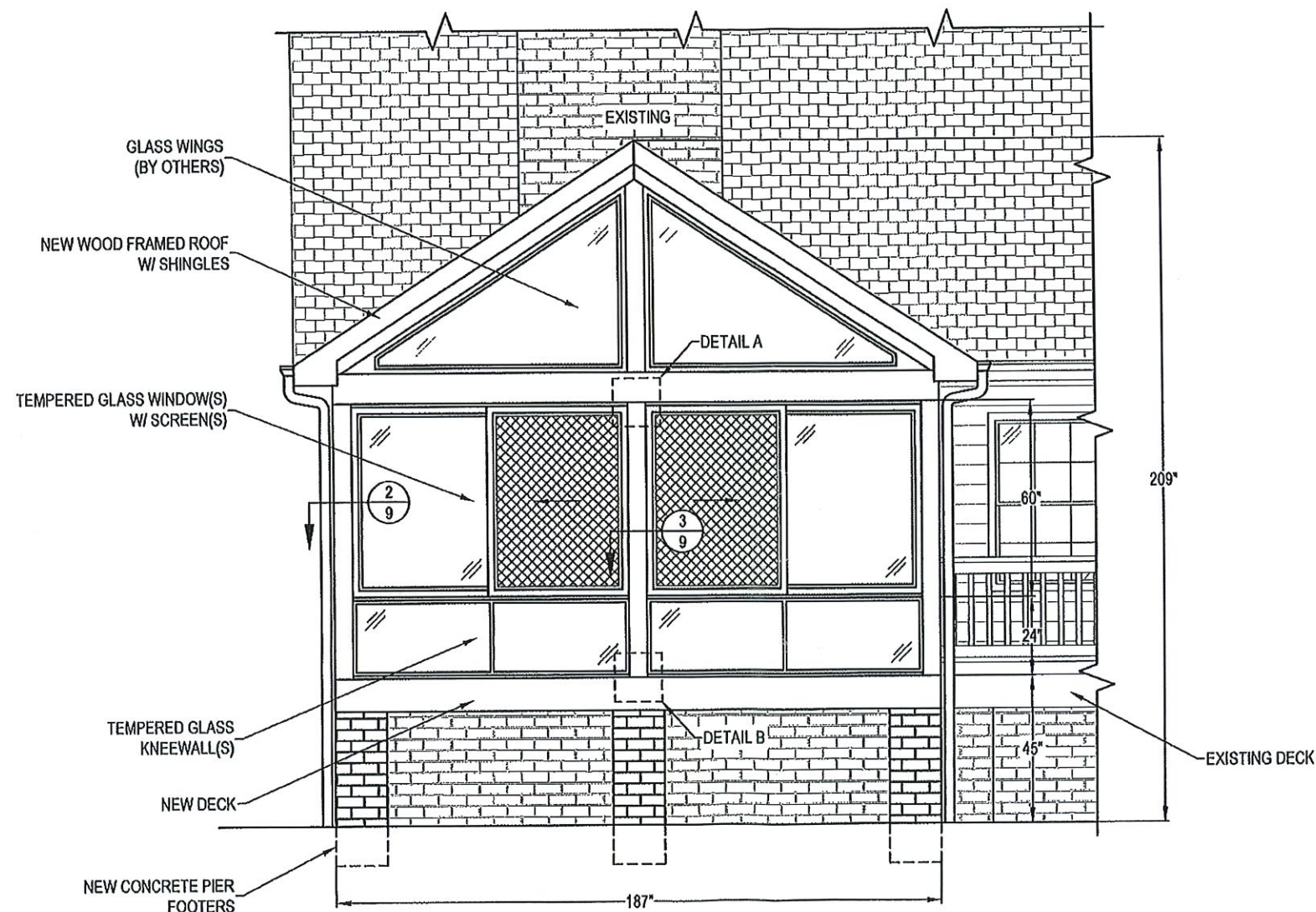


JAC
9/16/20

JAMES A. CLANCY, P.E., L.S.
NC. PROFESSIONAL ENGINEER (NC. LIC. #32152)
601 ASBURY AVENUE
NATIONAL PARK, NJ. 08063
PH. # 856-853-7306

DATE	9/16/20
DRAWN	WAR
SCALE	1/4" = 1'-0"
SHEET	1 OF 11

THIS DRAWING IS PROPERTY OF GREAT DAY IMPROVEMENTS, LLC., AND DUPLICATION OF THIS DRAWING WITHOUT OUR EXPRESSED WRITTEN CONSENT IS PROHIBITED. ALL RIGHTS RESERVED.

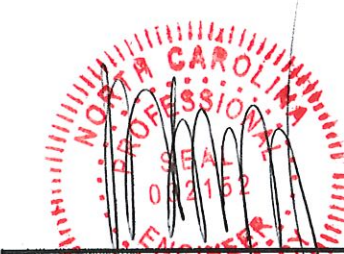


ELEVATION - "B" WALL

LOCATION
 GDI - RALEIGH
 951 AVIATION PKWY, SUITE 1000
 MORRISVILLE, NC. 27560
 984-212-8850

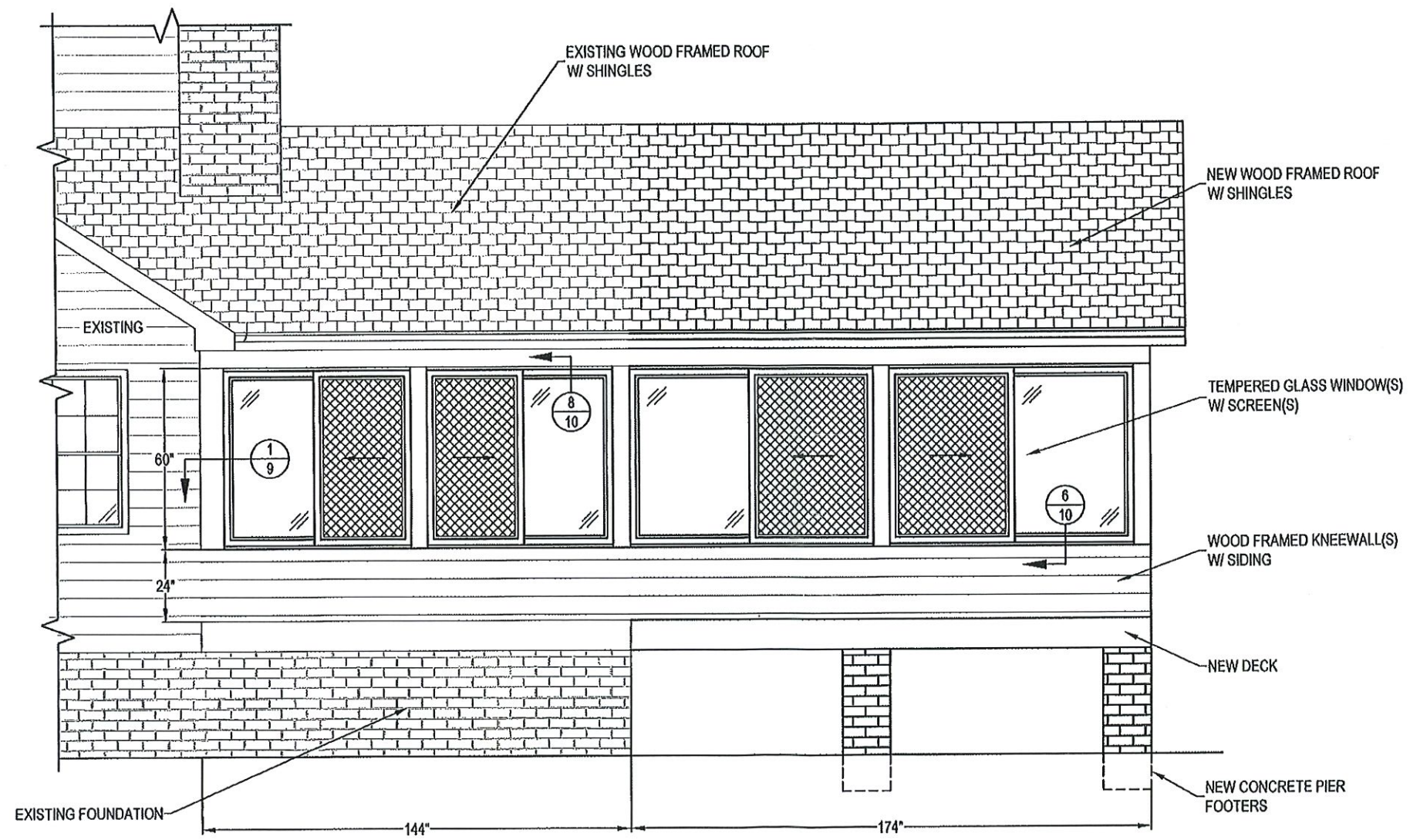
JAMES HINNANT
 61 NASSAU LANE
 SANFORD, NC 27332
 JOB #20133

DATE 9/16/20
 DRAWN WAR
 SCALE 1/4" = 1'-0"
 SHEET 2 OF 11



JAMES A. CLANCY, P.E., L.S.
 NC. PROFESSIONAL ENGINEER (NC. LIC. #32152)
 601 ASBURY AVENUE
 NATIONAL PARK, NJ. 08063
 PH. # 856-853-7306

THIS DRAWING IS PROPERTY OF GREAT DAY IMPROVEMENTS, LLC, AND DUPLICATION OF THIS DRAWING WITHOUT OUR EXPRESSED WRITTEN CONSENT IS PROHIBITED. ALL RIGHTS RESERVED.



ELEVATION - "A" WALL



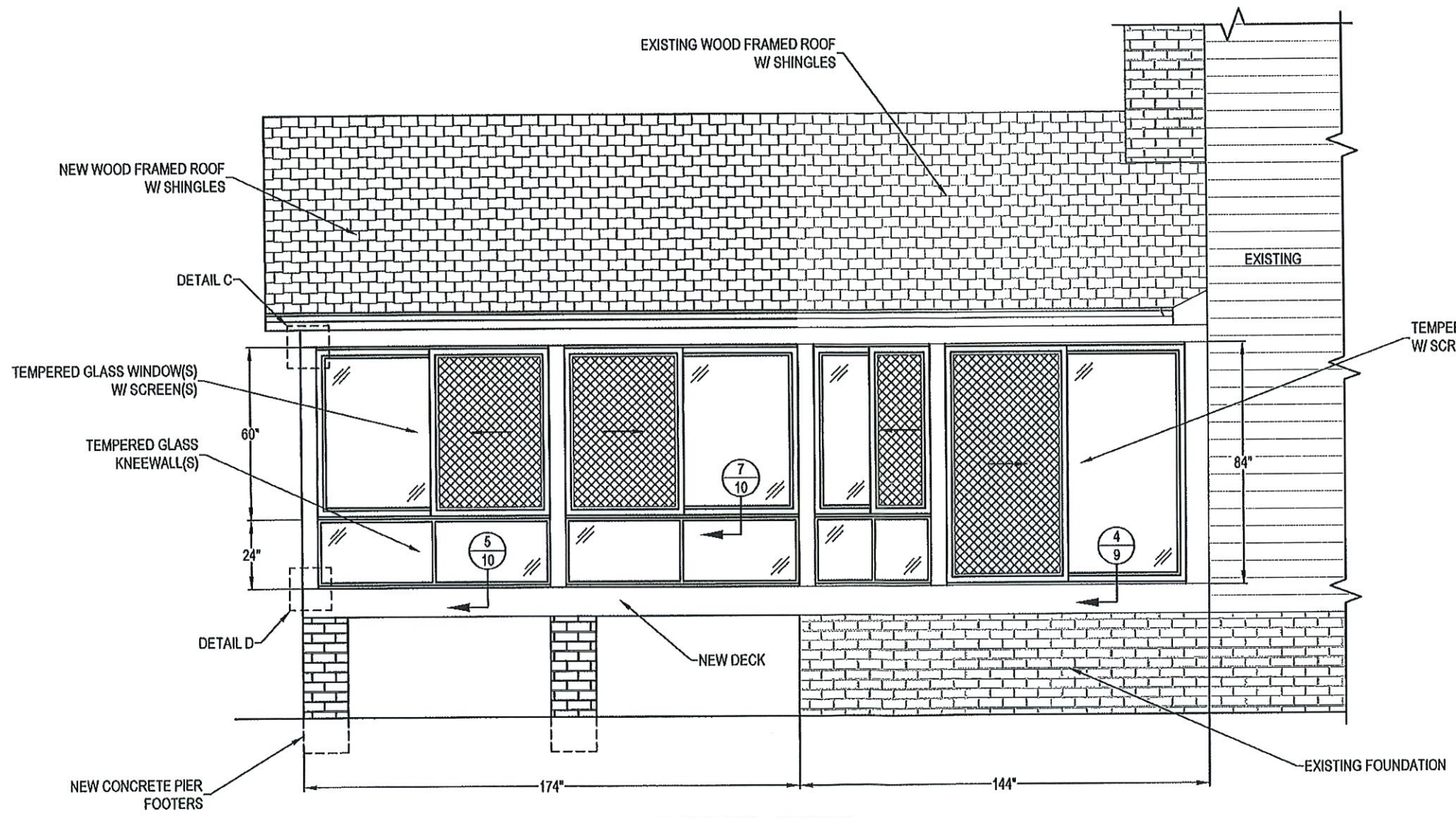
LOCATION
 GDI - RALEIGH
 951 AVIATION PKWY, SUITE 1000
 MORRISVILLE, NC. 27560
 984-212-8850

JAMES HINNANT
 61 NASSAU LANE
 SANFORD, NC 27332
 JOB #20133

DATE 9/16/20
 DRAWN WAR
 SCALE 1/4" = 1'-0"
 SHEET 3 OF 11

(Handwritten signature)
 09/23/20
 NORTH CAROLINA
 PROFESSIONAL ENGINEER
 JAMES A. CLANCK, P.E., L.S.
 NC. PROFESSIONAL ENGINEER (NC. LIC. #32152)
 601 ASBURY AVENUE
 NATIONAL PARK, N.J. 08063
 PH. # 856-853-7306

THIS DRAWING IS PROPERTY OF GREAT DAY IMPROVEMENTS, LLC, AND DUPLICATION OF THIS DRAWING WITHOUT OUR EXPRESSED WRITTEN CONSENT IS PROHIBITED. ALL RIGHTS RESERVED.



ELEVATION - "C" WALL
(OPEN DECK & RAILING NOT SHOWN FOR CLARITY)

LOCATION
GDI - RALEIGH
951 AVIATION PKWY, SUITE 1000
MORRISVILLE, NC. 27560
984-212-8850

JAMES HINNANT
61 NASSAU LANE
SANFORD, NC 27332
JOB #20133

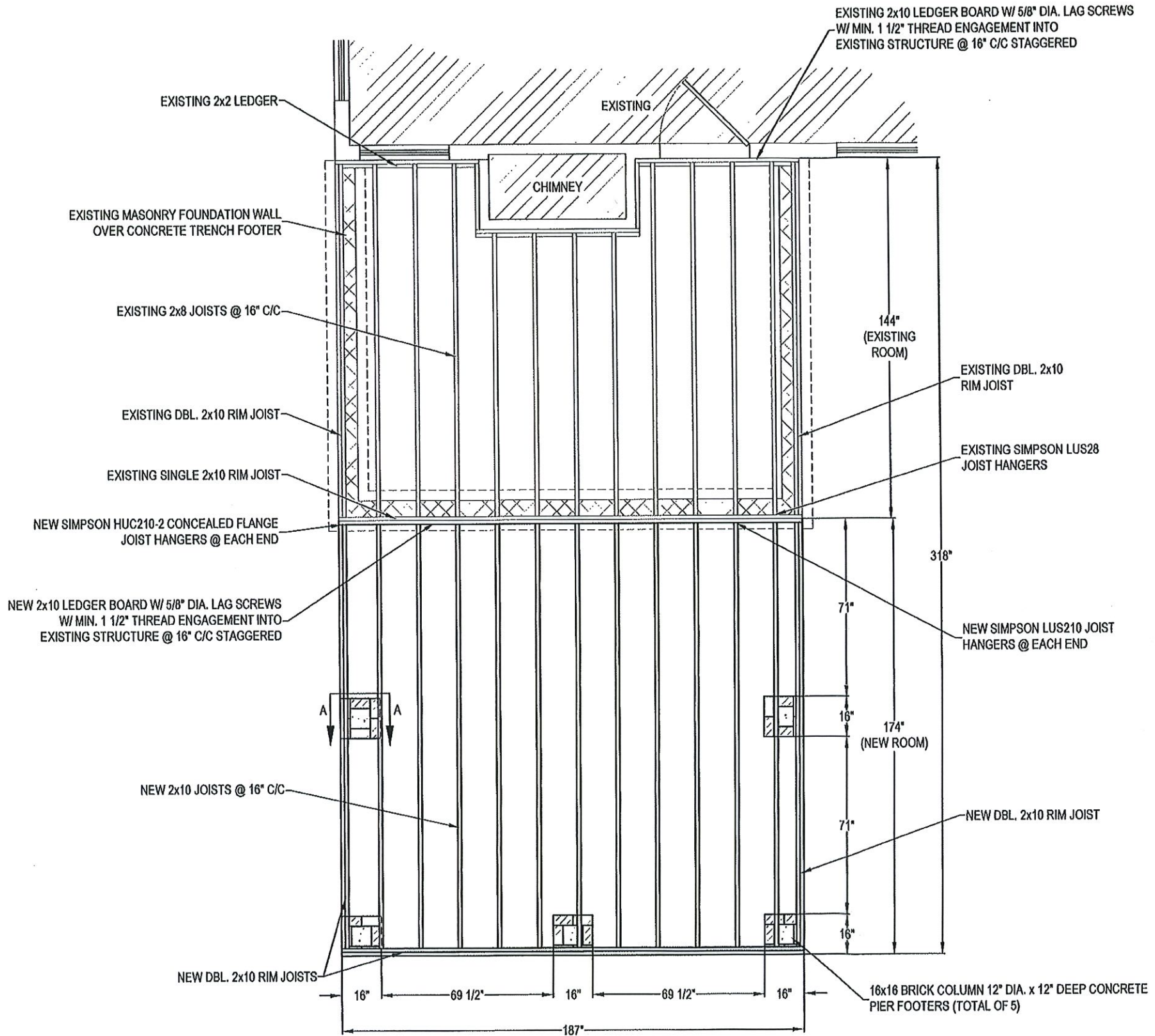


09/16/20

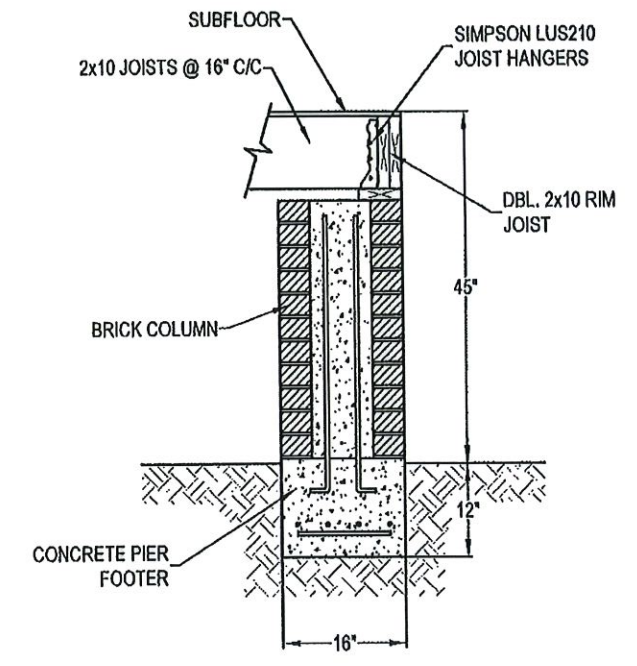
JAMES A. CLANOY, P.E., L.S.
NC. PROFESSIONAL ENGINEER (NC. LIC. #32152)
601 ASBURY AVENUE
NATIONAL PARK, NJ. 08063
PH. # 856-853-7306

DATE	9/16/20
DRAWN	WAR
SCALE	1/4" = 1'-0"
SHEET	4 OF 11

THIS DRAWING IS PROPERTY OF GREAT DAY IMPROVEMENTS, LLC., AND DUPLICATION OF THIS DRAWING WITHOUT OUR EXPRESSED WRITTEN CONSENT IS PROHIBITED. ALL RIGHTS RESERVED.

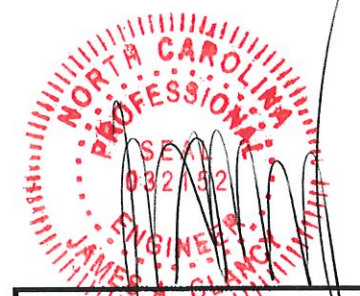


DECK PLAN
SCALE: 1/4" = 1'-0"



SECTION A-A
SCALE: 1/2" = 1'-0"

NOTE: ALL LUMBER TO BE SOUTHERN YELLOW PINE



JAMES A. GLANCY, P.E., L.S.
NC. PROFESSIONAL ENGINEER (NC. LIC. #32152)
601 ASBURY AVENUE
NATIONAL PARK, NJ. 08063
PH. # 856-853-7308

LOCATION
GDI - RALEIGH
951 AVIATION PKWY, SUITE 1000
MORRISVILLE, NC. 27560
984-212-8850

JAMES HINNANT
61 NASSAU LANE
SANFORD, NC 27332
JOB #20133

DATE	9/16/20
DRAWN	WAR
SCALE	AS NOTED
SHEET	5 OF 11

THIS DRAWING IS PROPERTY OF GREAT DAY IMPROVEMENTS, LLC., AND DUPLICATION OF THIS DRAWING WITHOUT OUR EXPRESSED WRITTEN CONSENT IS PROHIBITED. ALL RIGHTS RESERVED.

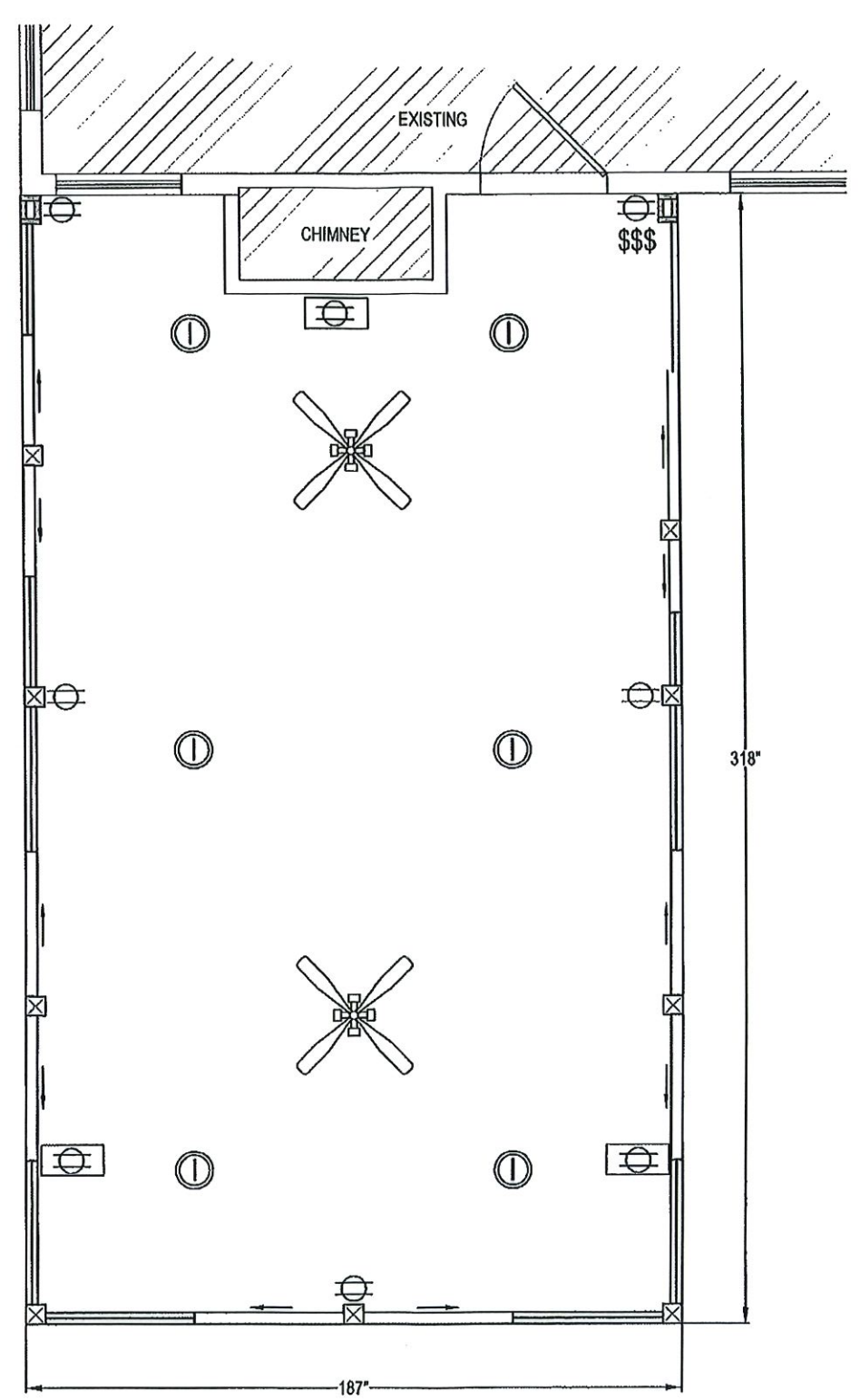


LOCATION
 GDI - RALEIGH
 951 AVIATION PKWY, SUITE 1000
 MORRISVILLE, NC. 27560
 984-212-8850

JAMES HINNANT
 61 NASSAU LANE
 SANFORD, NC 27332
 JOB #20133

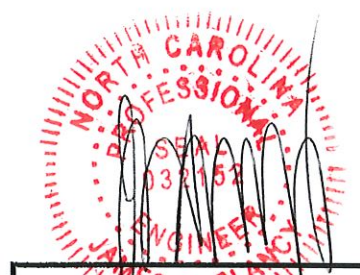
DATE	9/16/20
DRAWN	WAR
SCALE	1/4" = 1'-0"
SHEET	6 OF 11

THIS DRAWING IS PROPERTY OF GREAT DAY IMPROVEMENTS, LLC., AND DUPLICATION OF THIS DRAWING WITHOUT OUR EXPRESSED WRITTEN CONSENT IS PROHIBITED. ALL RIGHTS RESERVED.



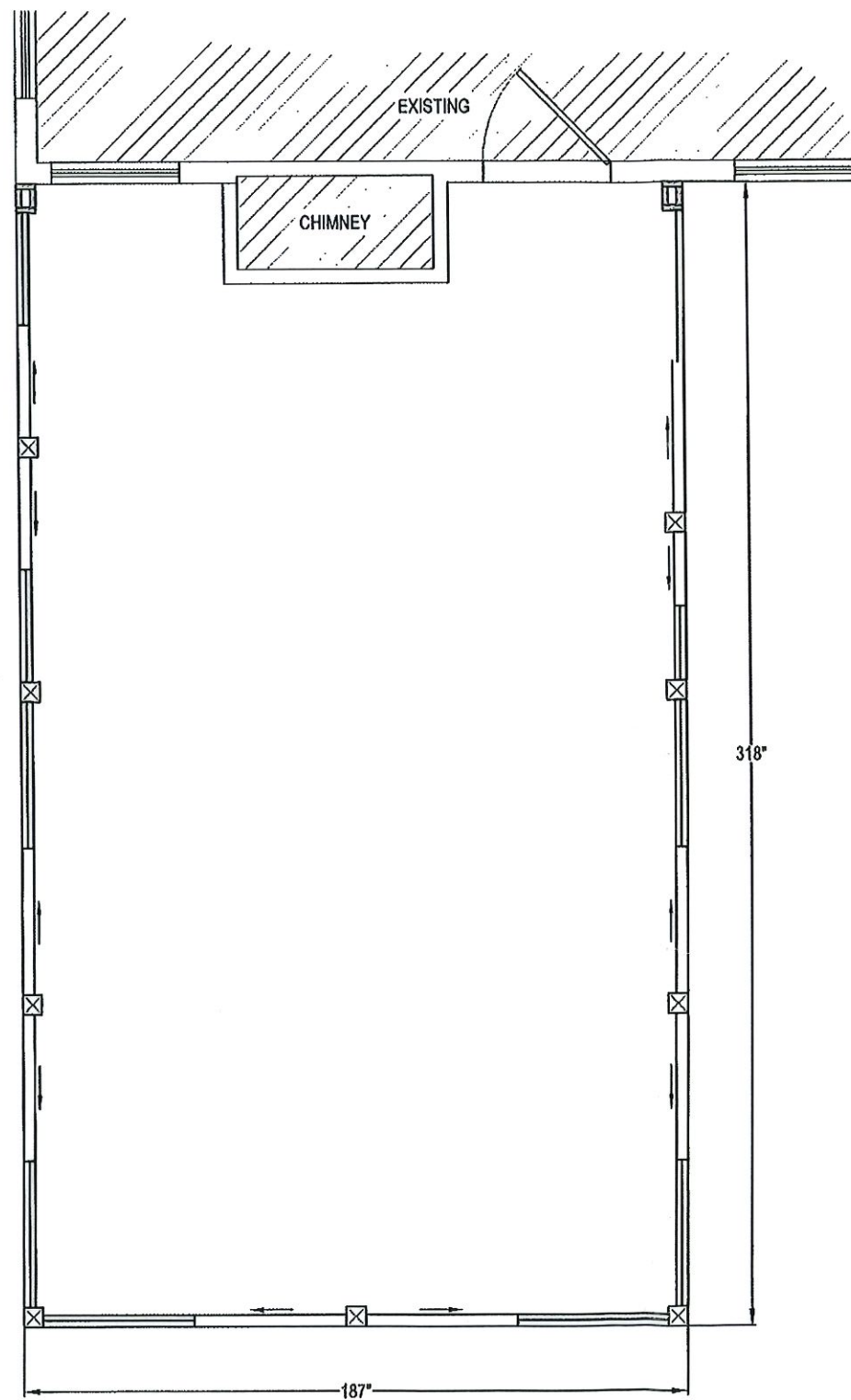
ELECTRICAL PLAN

GDI ELECTRICAL SYMBOL LEGEND	
	DUPLEX RECEPTACLE
	FLOOR DUPLEX RECEPTACLE
	INTERIOR LIGHT
	SWITCH
	CEILING FAN W/ LIGHT



JAMES A. CLANCY, P.E., L.S.
 NC. PROFESSIONAL ENGINEER (NC. LIC. #32152)
 601 ASBURY AVENUE
 NATIONAL PARK, N.J. 08063
 PH. # 856-853-7306

09/23/20



FLOOR PLAN



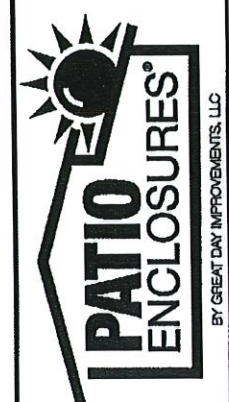
JAMES A. CLANGY, P.E., L.S.
 NC. PROFESSIONAL ENGINEER (NC. LIC. #32152)
 601 ASBURY AVENUE
 NATIONAL PARK, N.J. 08063
 PH. # 856-853-7306

09/16/20

DATE	9/16/20
DRAWN	WAR
SCALE	1/4" = 1'-0"
SHEET	7 OF 11

JAMES HINNANT
 61 NASSAU LANE
 SANFORD, NC 27332
 JOB #20133

LOCATION
 GDI - RALEIGH
 951 AVIATION PKWY, SUITE 1000
 MORRISVILLE, NC. 27560
 984-212-8850



THIS DRAWING IS PROPERTY OF GREAT DAY IMPROVEMENTS, LLC., AND DUPLICATION OF THIS DRAWING WITHOUT OUR EXPRESSED WRITTEN CONSENT IS PROHIBITED. ALL RIGHTS RESERVED.

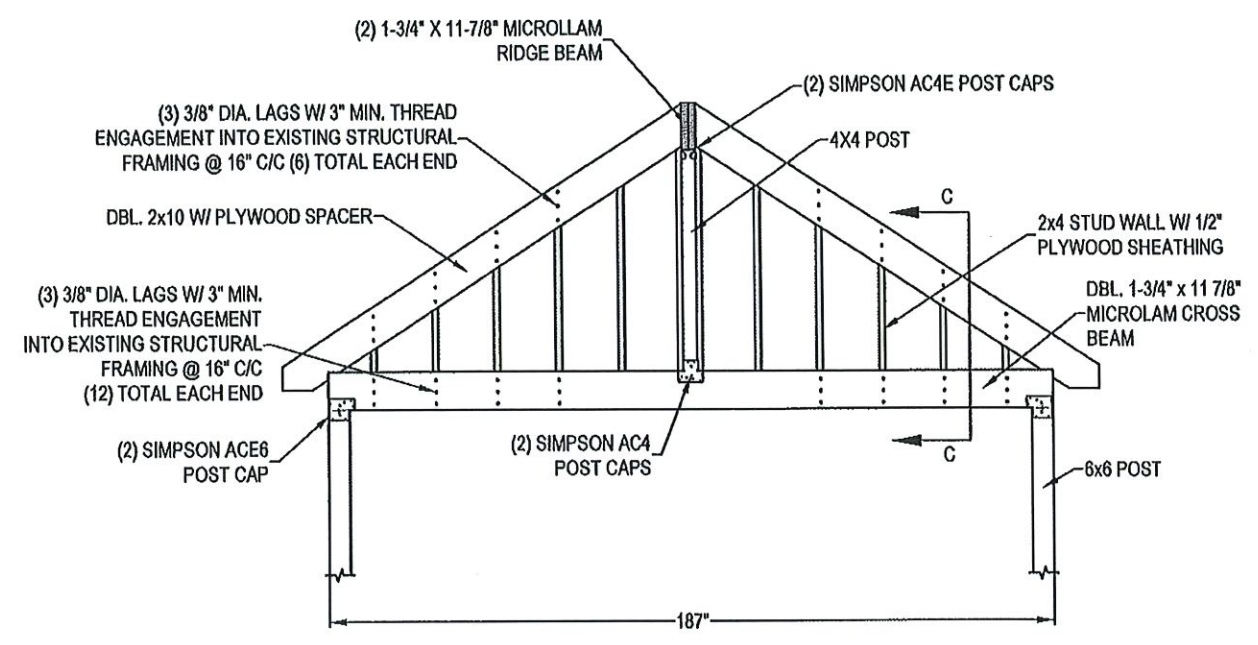
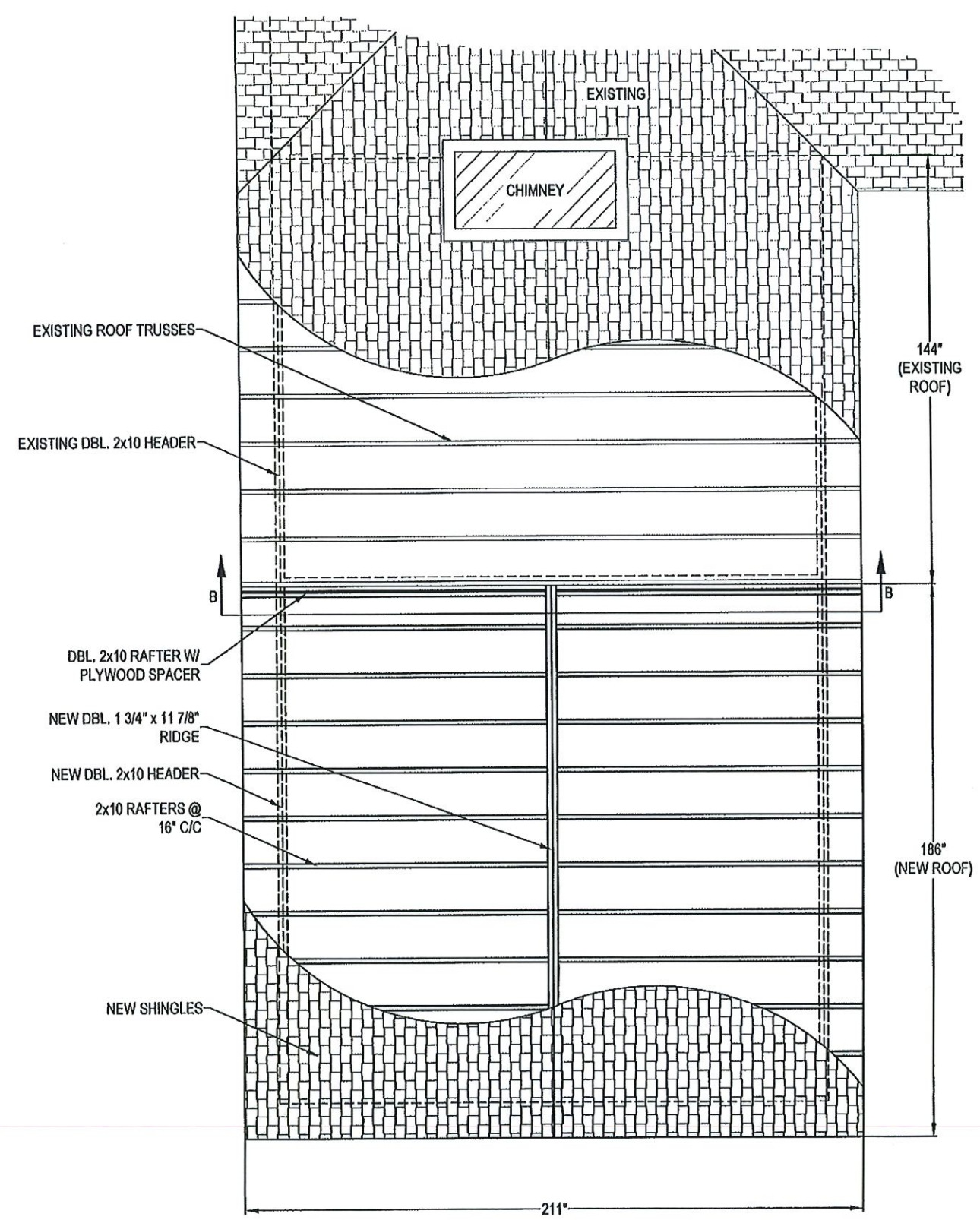


LOCATION
 GDI - RALEIGH
 951 AVIATION PKWY, SUITE 1000
 MORRISVILLE, NC. 27560
 984-212-8850

JAMES HINNANT
 61 NASSAU LANE
 SANFORD, NC 27332
 JOB #20133

DATE	9/16/20
DRAWN	WAR
SCALE	1/4" = 1'-0"
SHEET	8 OF 11

THIS DRAWING IS PROPERTY OF GREAT DAY IMPROVEMENTS, L.L.C., AND DUPLICATION OF THIS DRAWING WITHOUT OUR EXPRESSED WRITTEN CONSENT IS PROHIBITED. ALL RIGHTS RESERVED.

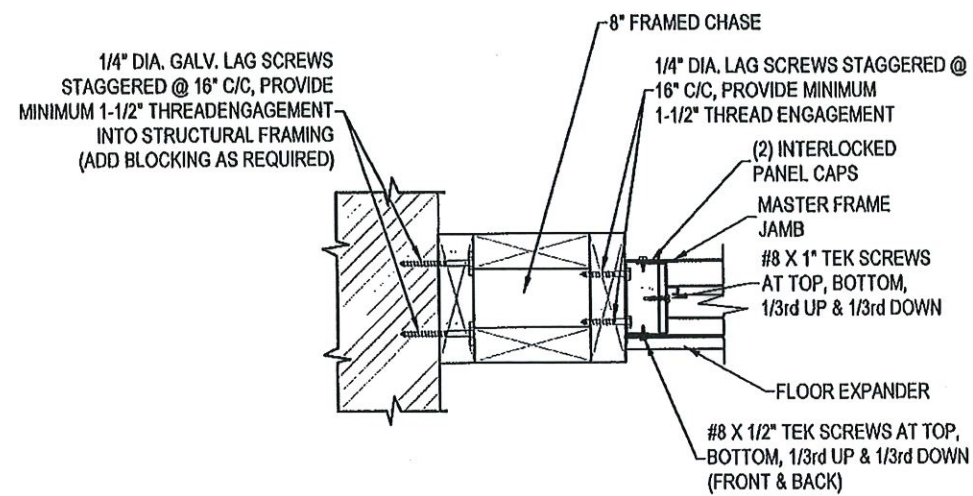


SECTION B-B
 SCALE: 1/4" = 1'-0"

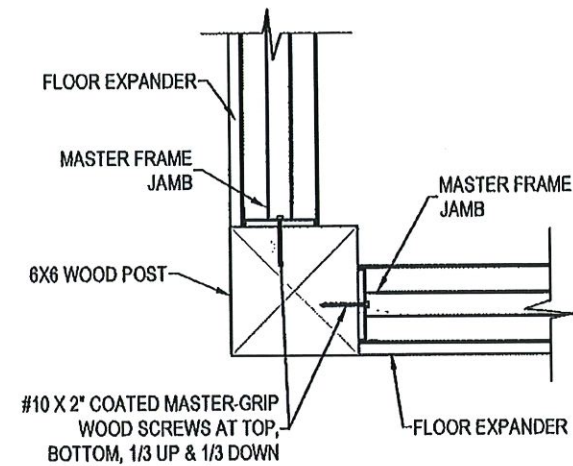


JAMES A. GLANCY, P.E., L.S.
 NC PROFESSIONAL ENGINEER (NC LIC. #32152)
 601 ASBURY AVENUE
 NATIONAL PARK, NJ. 08063
 PH. # 856-853-7306

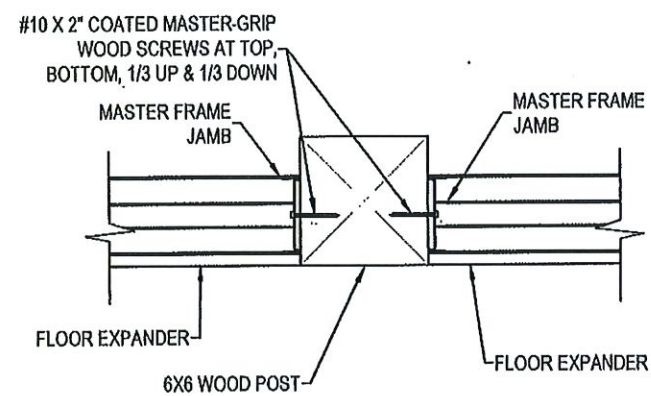
9/23/20



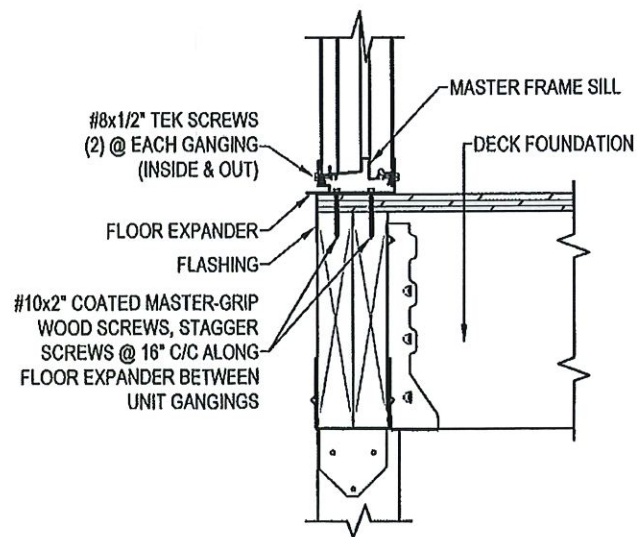
1 PLAN VIEW OF MASTER FRAME JAMBS
9 CONNECTION @ EXISTING WALL



2 PLAN VIEW OF MASTER FRAME JAMBS
9 CONNECTION @ 6X6 WOOD POST



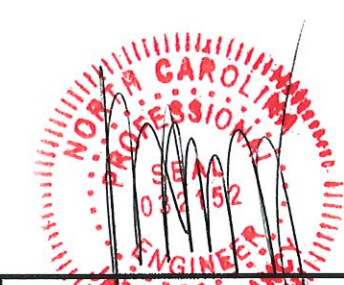
3 PLAN VIEW OF MASTER FRAME JAMBS
9 CONNECTION @ 6X6 WOOD POST



4 SECTION THROUGH MASTER FRAME SILL
9 CONNECTION @ DECK FOUNDATION

LOCATION
GDI - RALEIGH
951 AVIATION PKWY, SUITE 1000
MORRISVILLE, NC. 27560
984-212-8850

JAMES HINNANT
61 NASSAU LANE
SANFORD, NC 27332
JOB #20133

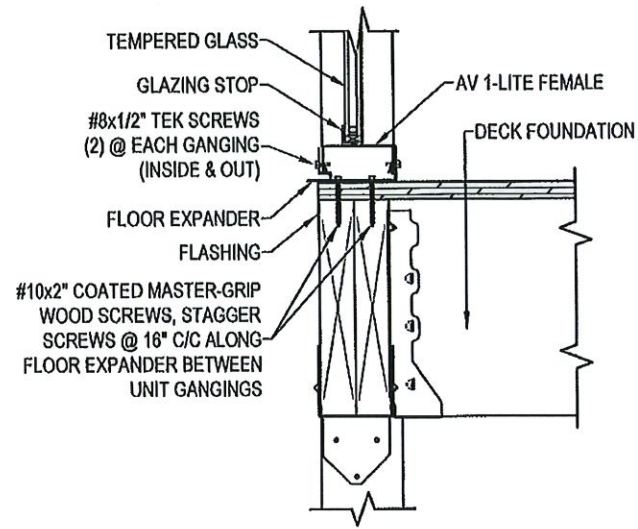


War

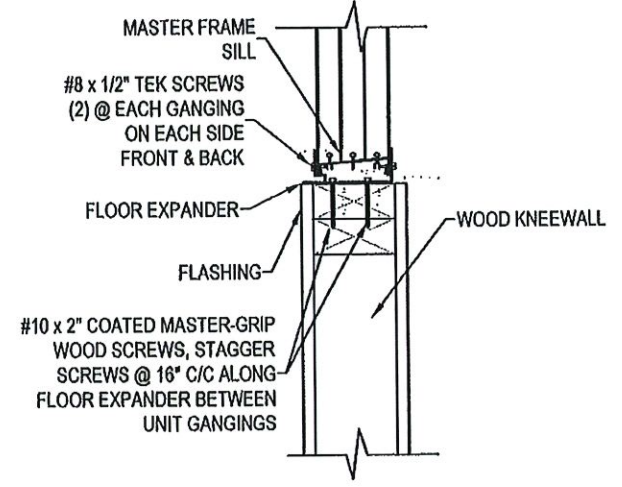
JAMES A. CLANCY, P.E., L.S.
NC. PROFESSIONAL ENGINEER (NC. LIC. #32152)
601 ASBURY AVENUE
NATIONAL PARK, NJ. 08063
PH. # 856-853-7306

DATE	9/16/20
DRAWN	WAR
SCALE	1/4" = 1'-0"
SHEET	9 OF 11

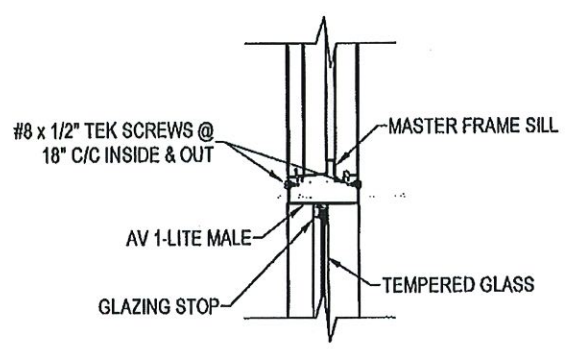
THIS DRAWING IS PROPERTY OF GREAT DAY IMPROVEMENTS, LLC., AND DUPLICATION OF THIS DRAWING WITHOUT OUR EXPRESSED WRITTEN CONSENT IS PROHIBITED. ALL RIGHTS RESERVED.



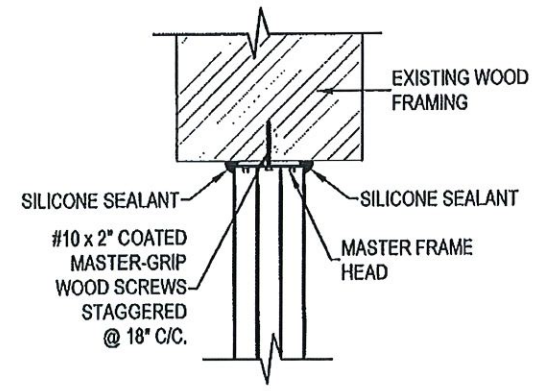
5 SECTION THROUGH GLASS KNEEWALL
10 CONNECTION @ DECK FOUNDATION



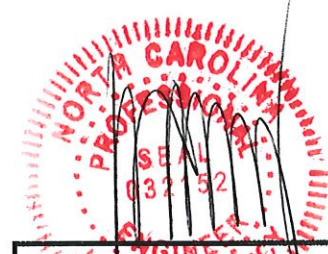
6 SECTION THROUGH MASTER FRAME SILL
10 CONNECTION @ WOOD KNEEWALL



7 SECTION THROUGH MASTER FRAME SILL
10 CONNECTION @ GLASS KNEEWALL



8 SECTION THROUGH MASTER FRAME HEAD
10 CONNECTION @ EXISTING HEADER



JAMES A. CLANCY, P.E., L.S.
NC. PROFESSIONAL ENGINEER (NC. LIC. #32152)
601 ASBURY AVENUE
NATIONAL PARK, NJ. 08063
PH. # 856-853-7306

09/23/20

DATE	9/16/20
DRAWN	WAR
SCALE	1/4" = 1'-0"
SHEET	10 OF 11

LOCATION
GDI - RALEIGH
951 AVIATION PKWY, SUITE 1000
MORRISVILLE, NC. 27560
984-212-8850

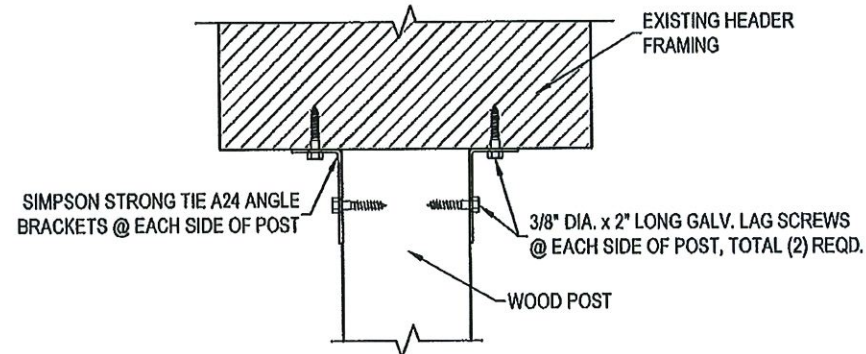
JAMES HINNANT
61 NASSAU LANE
SANFORD, NC 27332
JOB #20133



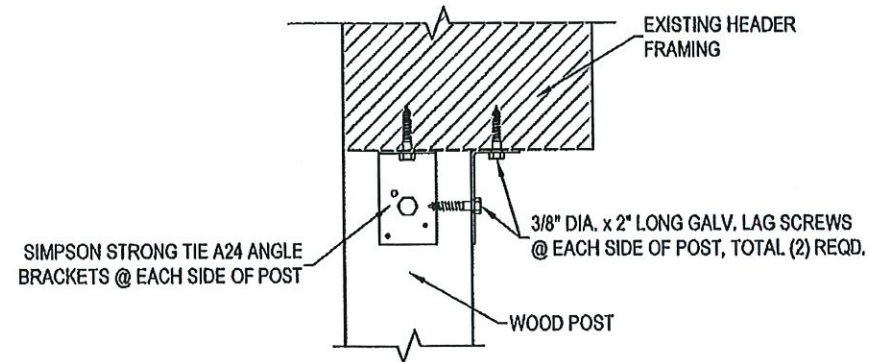
THIS DRAWING IS PROPERTY OF GREAT DAY IMPROVEMENTS, LLC., AND DUPLICATION OF THIS DRAWING WITHOUT OUR EXPRESSED WRITTEN CONSENT IS PROHIBITED. ALL RIGHTS RESERVED.



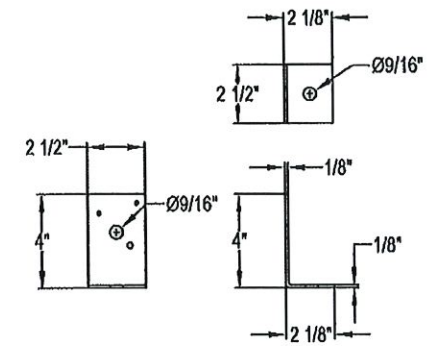
BY GREAT DAY IMPROVEMENTS, LLC



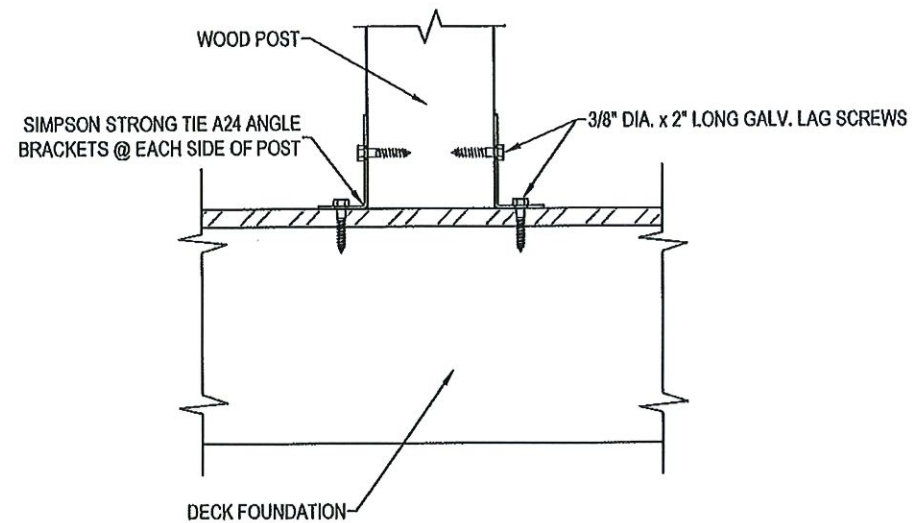
FRONT VIEW THROUGH 6x6 POST CONNECTION @ HEADER
DETAIL A



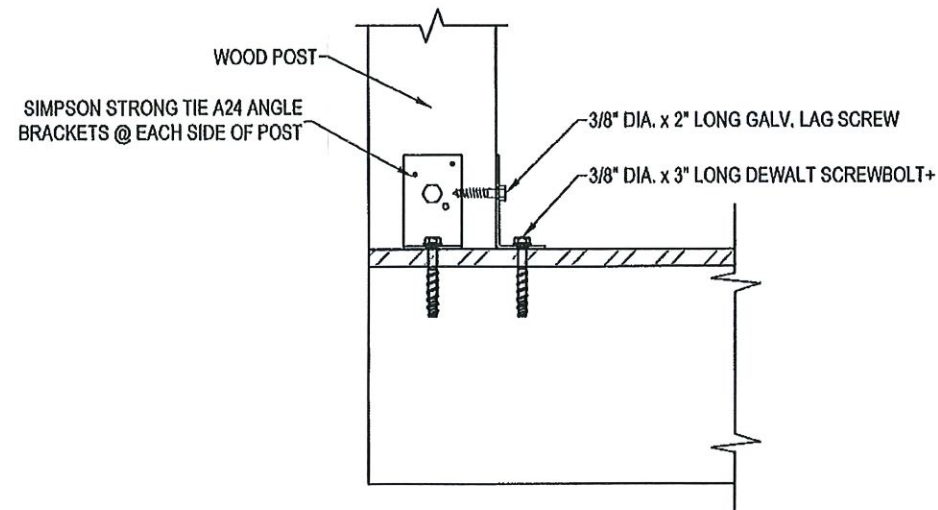
VIEW THROUGH WOOD POST CONNECTION @ HEADER
DETAIL C



SIMPSON STRONG TIE A24 ANGLE BRACKET



FRONT VIEW THROUGH 6x6 POST CONNECTION @ DECK FOUNDATION
DETAIL B



VIEW THROUGH 6x6 POST CONNECTION @ DECK FOUNDATION
DETAIL D

LOCATION
GDI - RALEIGH
951 AVIATION PKWY, SUITE 1000
MORRISVILLE, NC. 27560
984-212-8850

JAMES HINNANT
61 NASSAU LANE
SANFORD, NC 27332
JOB # 20133

JAMES A. CLANCY, P.E., L.S.
NC. PROFESSIONAL ENGINEER (NC, L.C. #32152)
601 ASBURY AVENUE
NATIONAL PARK, NJ. 08063
PH. # 856-853-7306

9/16/20

DATE	9/16/20
DRAWN	WAR
SCALE	1/4" = 1'-0"
SHEET	11 OF 11

THIS DRAWING IS PROPERTY OF GREAT DAY IMPROVEMENTS, LLC, AND DUPLICATION OF THIS DRAWING WITHOUT OUR EXPRESSED WRITTEN CONSENT IS PROHIBITED. ALL RIGHTS RESERVED.