

DOOR BUILDING NOTES:

- The shed door should be built after the shed door opening is framed and sheeted to ensure that the door will fit the finished opening. Modify the door plan as necessary to ensure that it will fit the opening that is built on the jobsite.

The door is built by sandwiching a 2x4 frame between a sheet of O.S.B. on the inside of the shed and a sheet of T-1-11 siding on the outside. The following steps correspond to the steps shown below.

FASTENERS - Attach all boards and trim using exterior grade screws. The length of the screws varies depending on the thickness of the boards being used.

STEP 1 - Cut out the interior sheet of O.S.B. Make sure that the panel is square by checking the diagonals across the panel. The diagonals should be the same.

STEP 2 - Cut out the 2x4 rails using the dimensions shown. Screw the rails to the rough side of the O.S.B. Using 1 5/8" deck screws. Make sure that the edges are flush.

STEP 3 - Cut out the exterior panel to the dimensions shown in the step 3 drawings. Attach the exterior panel to the rail and panel assembly you put together in step 2 sandwiching the 2x4 rails in between the O.S.B. and the T-1-11 siding. Make sure the reveals match the dimensions shown on the plans.

STEP 4 - Install trim on top of the T-1-11 or rough cut plywood panel per your shed design using 2 1/2" deck screws.

STEP 5 - Install the door(s) by putting a shim along the bottom of the shed door opening that is approximately 1/2" thick. Rest the door on the shim and make sure the reveal between the interior door rails and the shed door opening are all the same, adjust the size of the shim to make the reveals match.

HINGES: With the door in place, screw the hinges to the doors and on top of the trim on the shed and doors. Install the hinges so that the screws go into the 2x4 door rails using 3" screws. Remove the shims and the door should swing freely. Install door locking hardware per manufacturers instructions. Double doors will require two spring latches to hold the inner door in place while the second door locks to it.

DOOR MATERIALS

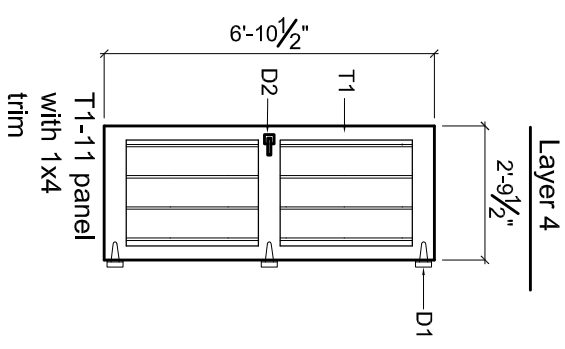
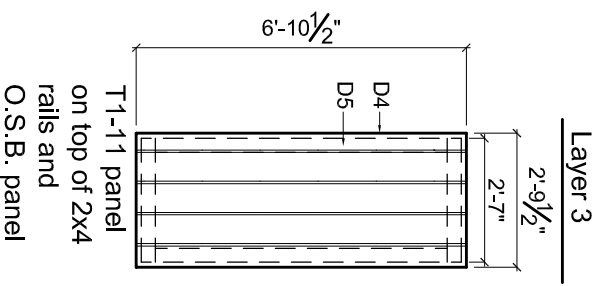
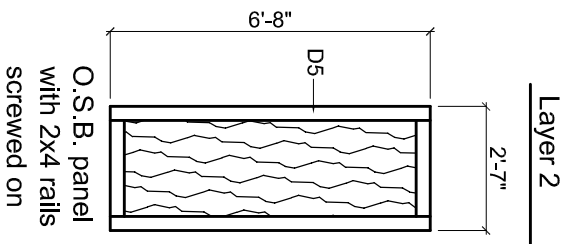
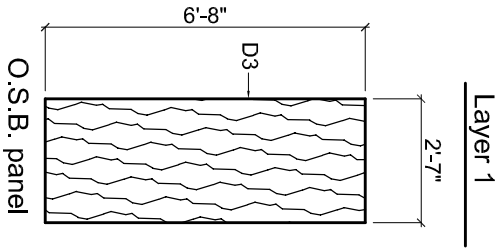
CODE	DESCRIPTION	LENGTH	QTY.
D1	Hinges	6"	3
D2	Lock per owner		
D3	O.S.B.	4x8x3/8"	1
D4	T-1-11 Sliding	4x8x1/2"	1
D5	2x4x8' Lumber		3
T1	1x4 Trim	8'	3
T2	1x6 Trim	8'	2

FASTENERS

#9 flat head, Polymer 2 1/2" Exterior deck screws
(Used to install trim to exterior.)

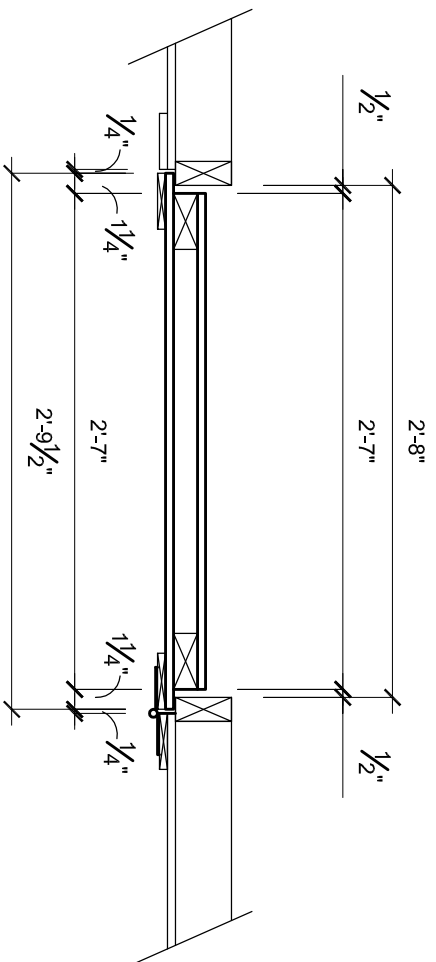
#8 flat head, Polymer 1 5/8" Exterior deck screws
(Used to install exterior and interior panels to door.)

#9 flat head, Polymer 3" Exterior deck screws
(Used to install hinges.)



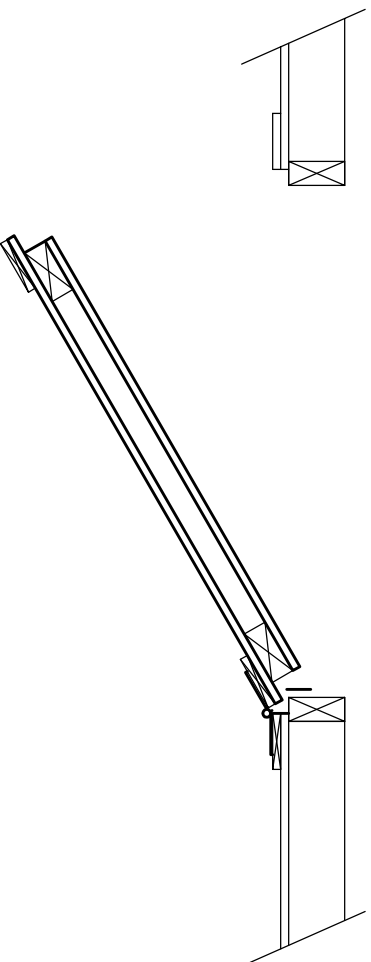
SINGLE DOOR BUILDING STEPS

1/2" = 1'-0"



DOOR DETAIL (closed)

1" = 1'-0"



DOOR DETAIL (open)

1" = 1'-0"