

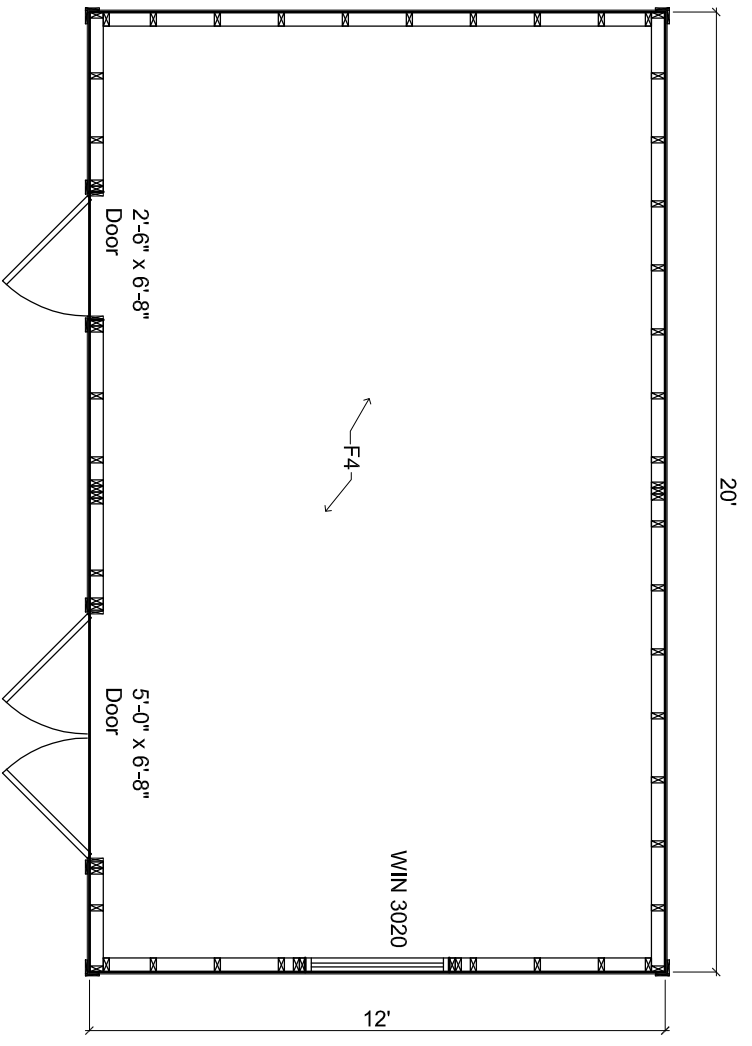
20x12 Clerestory Dormer Shed Plans

Please view and download the HOW TO BUILD A SHED tutorial at <http://www.icreatables.com/sheds/how-to-build-a-shed-download.html>

Copyright © 2020 BIG IDEA DESIGNS. All rights reserved. To read our License agreement and Legal Disclaimer please visit our website and click on the terms button at the bottom of the page in our Shed Plans section or read it in the How To Build a Shed Instructions from icreatables.com. All images and information contained in these plans are copyrighted and may not be distributed, modified or reproduced in whole or in part without the prior consent of Big Idea Designs, llc. These plans are for personal, non commercial use only. These plans are for single use. User of these plans should contact a local structural engineer, architect or government building official to verify that the Plans and other Building Documents meet local code requirements and site conditions.

DRAWING INDEX

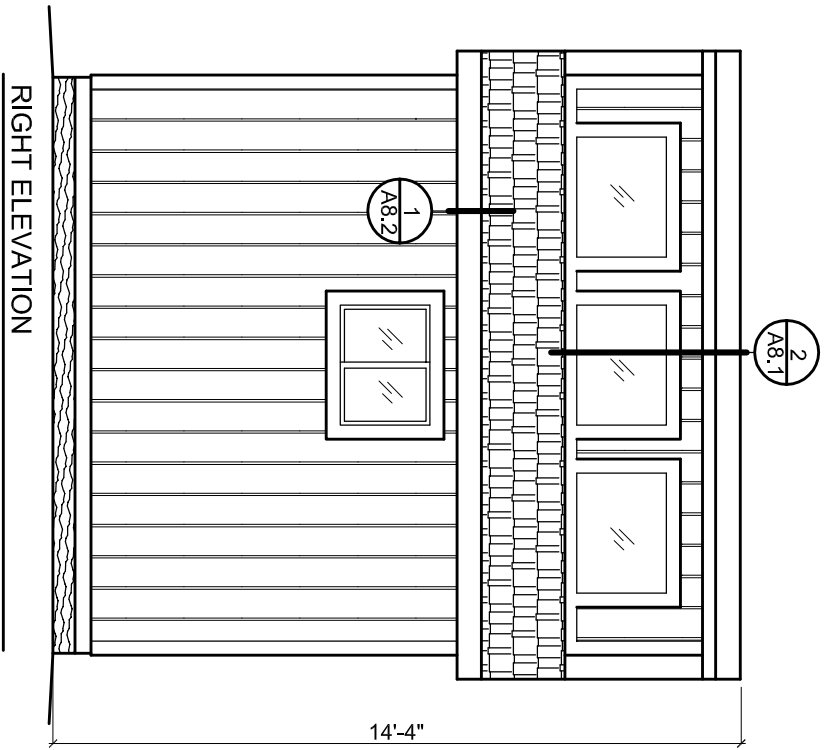
Page 1	Title Sheet
Page 2	Floor Plan, Typical
Page 3	Exterior Elevations
Page 3.1	Exterior Elevations
Page 4	Skid Foundation Plan
Page 4.1	Concrete Slab Plan
Page 5	Floor Framing Plan
Page 5.1	Floor Sheeting Plan
Page 6	Wall Framing Plans
Page 6.1	Wall Framing Plans
Page 6.2	Wall Framing Plans
Page 7	Roof Framing Plans
Page 7.1	Roof Truss Details
Page 7.2	Rafter Template
Page 7.3	Rafter Template
Page 7.4	Rafter Template
Page 7.5	Rafter Template
Page 7.6	Roof Sheeting Plan
Page 8	Section
Page 8.1	Details
Page 8.2	Details
Page 8.3	Details
Page 8.3	Details



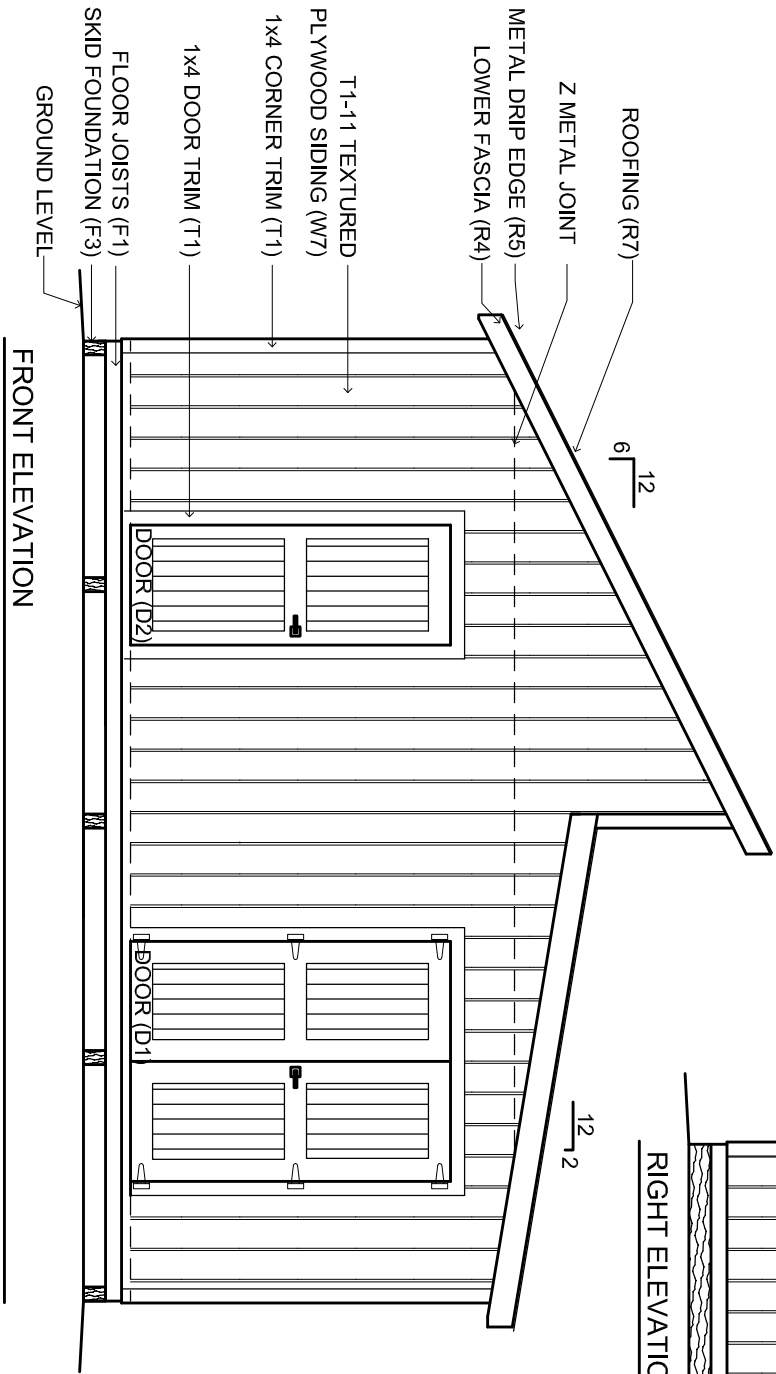
FLOOR PLAN

1/4" = 1'-0" See wall framing plans for stud layout and material take off.

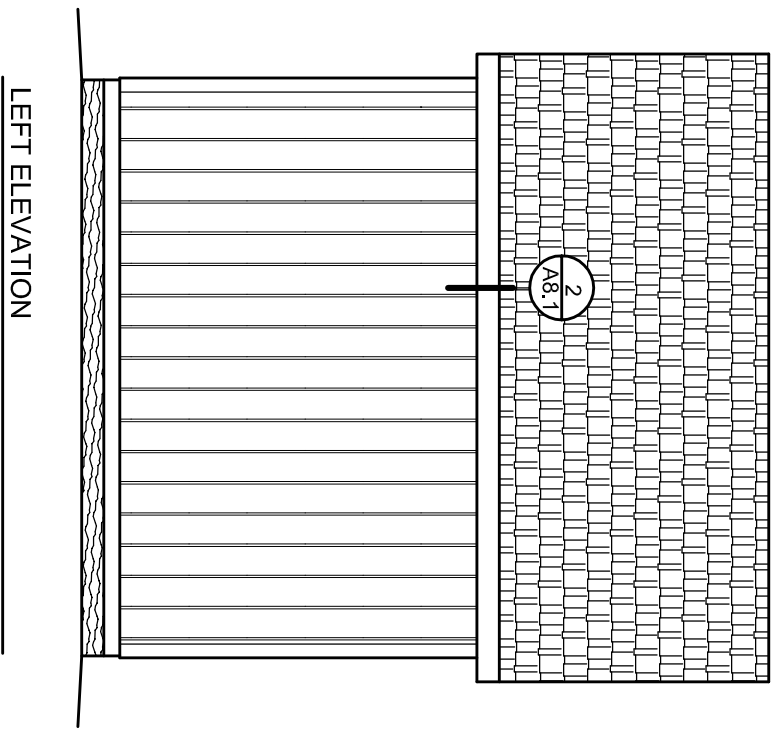
SIDING AND ROOFING MATERIALS			
CODE	DESCRIPTION	LENGTH	QTY.
W7	4ft. x 8ft. T1-11	per plan	20
T4	1x4 Trim Board	3 1/2"x16'-0"	10
R5	Roof Drip Edge, Under roofing	1 1/2"x2 1/2"x10'	11
R5.1	Roof Drip Edge, Above roofing	4" x 4"x10'	6
R6	Roofing Felt		500 S.F.
R7	Asphalt Shingles	5 Squares	500 S.F.
W10	"Z" Metal Flashing	10'	4
W12	3020 XO Window	3'-0" x 2'-0"	1
W12.1	2618 XO Window	2'-6" x 1'-8"	3
D1	5068 Pre hung factory built door		1
D1.1	2668 Pre hung factory built door		1



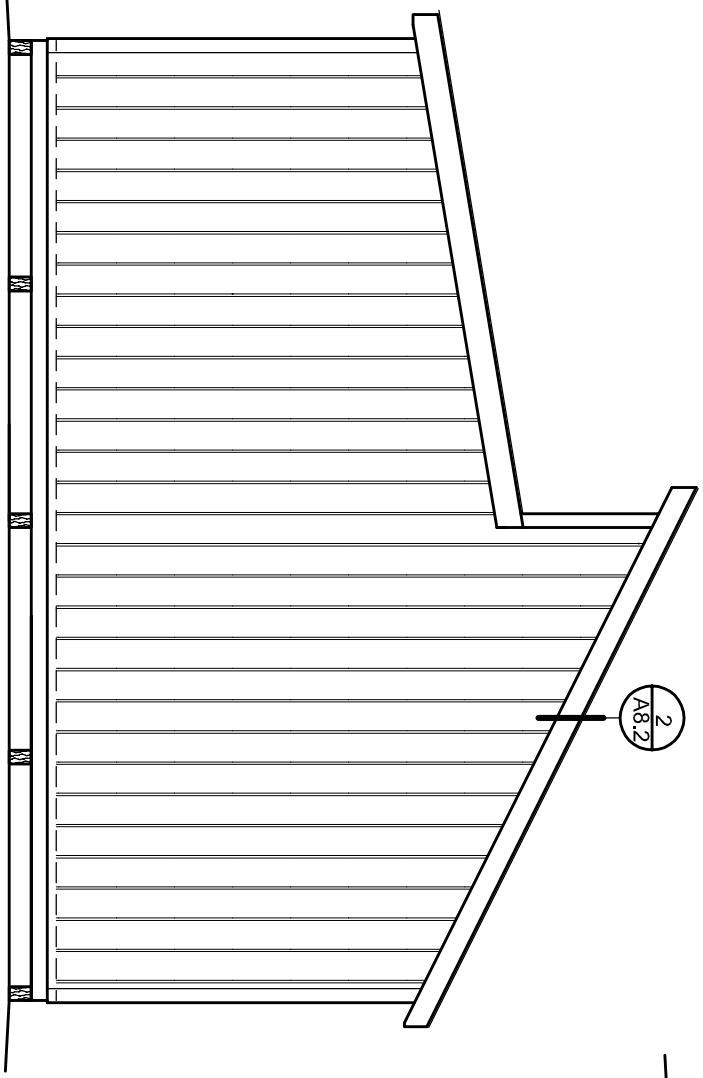
RIGHT ELEVATION



FRONT ELEVATION

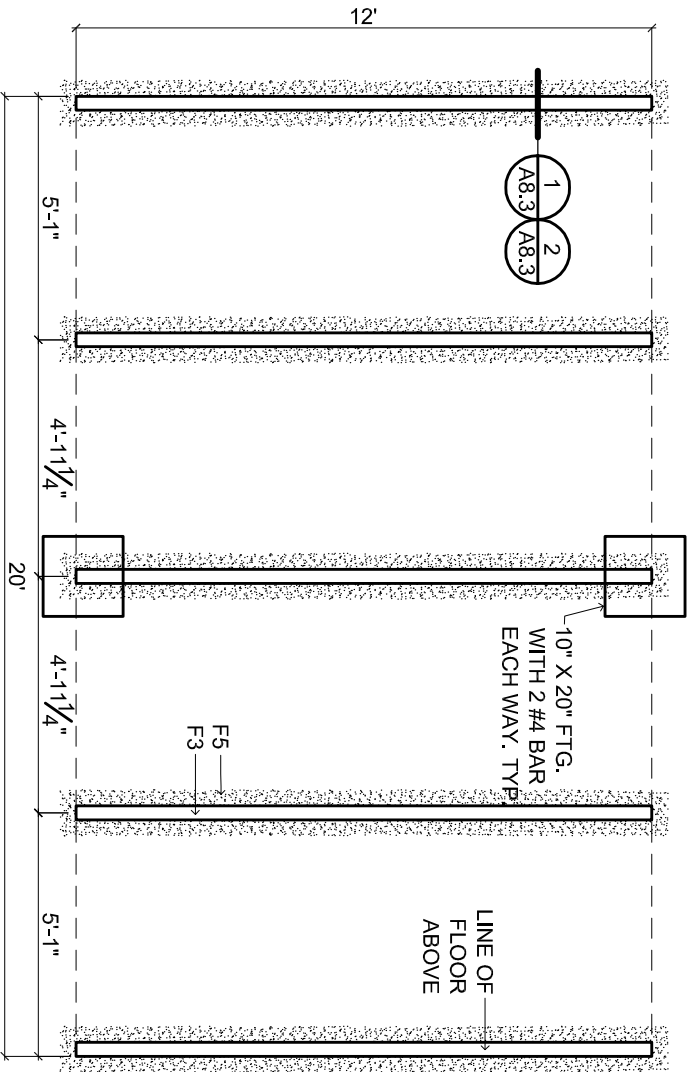


LEFT ELEVATION



REAR ELEVATION

Exterior Elevations **3.1**



FOUNDATION RAIL FRAMING PLAN

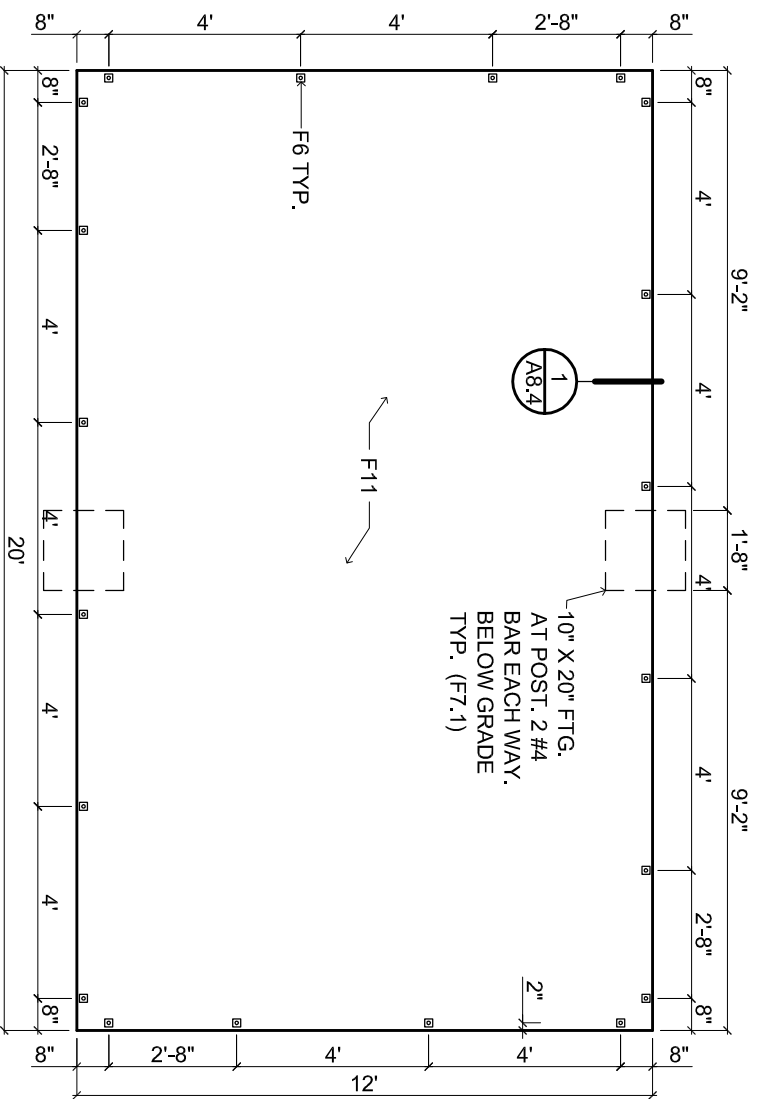
1/4" = 1'-0" Wood rails should be under the bearing walls of the shed. This means that the wood rails should be under the walls that the roof rests on. (not including the center rail)

FOUNDATION MATERIALS

CODE	DESCRIPTION	LENGTH	QTY.
F3	4x6 Skid, treated	12'-0"	3
F5	1/2" Gravel		

OPTIONAL GRAVEL BED FOUNDATION

Shed floor may be constructed using a gravel bed and setting the floor joists directly on the gravel. The floor joists must be changed to Pressure treated wood joists or Steel joists. This Floor system will lower the shed floor height.
See How To Build A Shed eBook and detail in these plans for more information.



CONCRETE SLAB FLOOR PLAN

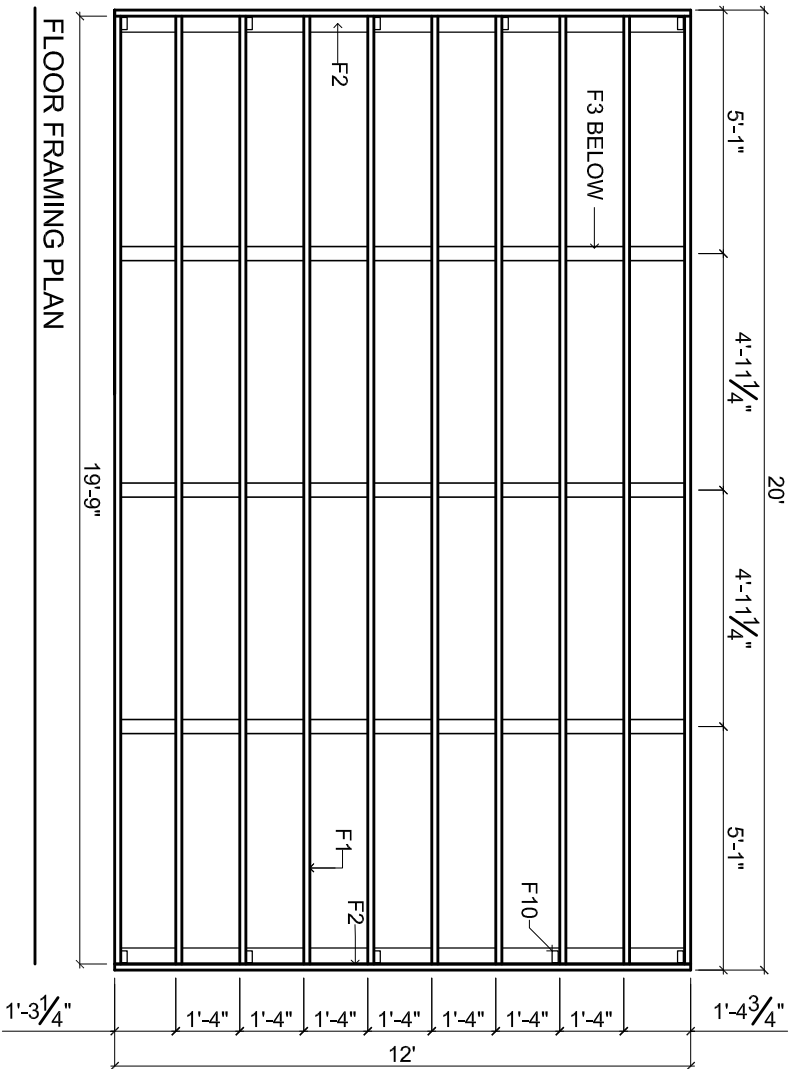
1/4"=1'-0" SITE VERIFY BOLT LAYOUT WITH WALL STUD LAYOUT. VERIFY DOOR LOCATION AND INSTALL A BOLT WITHIN 12" OF THE DOOR OPENING AND NOT IN THE DOOR OPENING.

NOTES:

- INSTALL ANCHOR BOLTS PER IRC SECTION R403.1.6.1. 1/2" x 10" ANCHOR BOLTS ARE TO BE PLACED AT MAXIMUM OF 6 FEET O.C. AND WITHIN 12" FROM ENDS MINIMUM.
- INSTALL 3X3 WASHERS PER IRC SECTION R602.11.1
- USING A CONCRETE SLAB INSTEAD OF A FRAMED FLOOR WILL LOWER THE FLOOR HEIGHT BECAUSE YOU ARE NOT INSTALLING 8" FLOOR JOISTS.
- CHECK LOCAL BUILDING REQUIREMENTS FOR FROST PENETRATION DEPTHS AND REQUIRED DEPTH OF FOOTINGS.

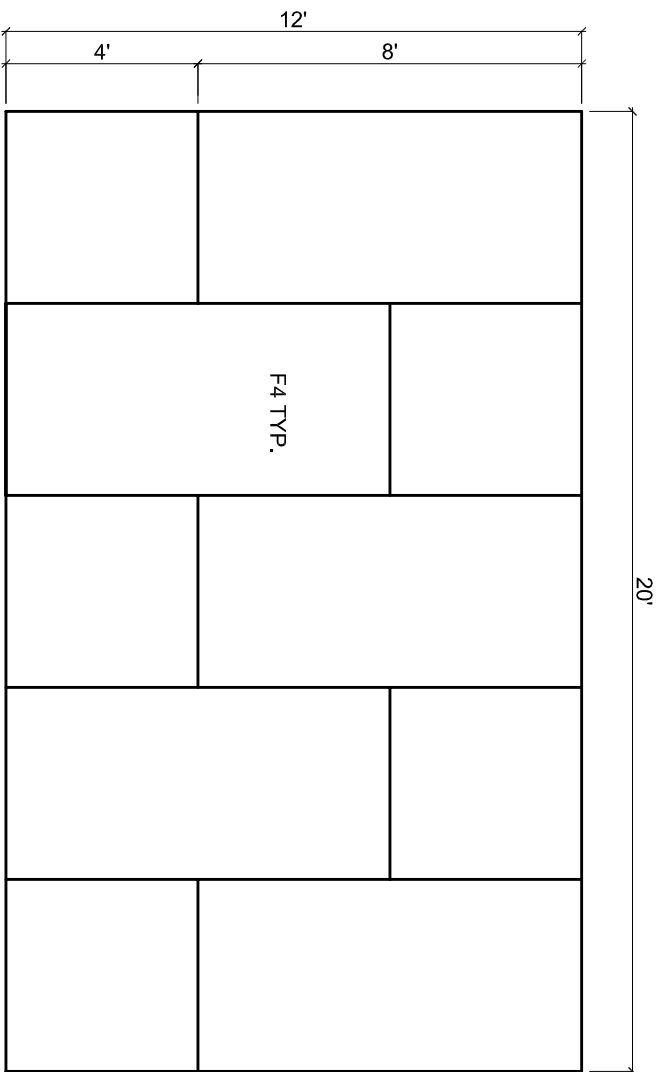
FOUNDATION MATERIALS

CODE	DESCRIPTION	LENGTH	QTY.
F5	1/2" Gravel		
F6	Anchor Bolt, Washer	1/2" x 10"	20
F7	#4 Rebar	1/2" x 16'-0"	11
F7.1	#4 Rebar	1/2" x 16"	8
F11	Concrete	Site Verify	

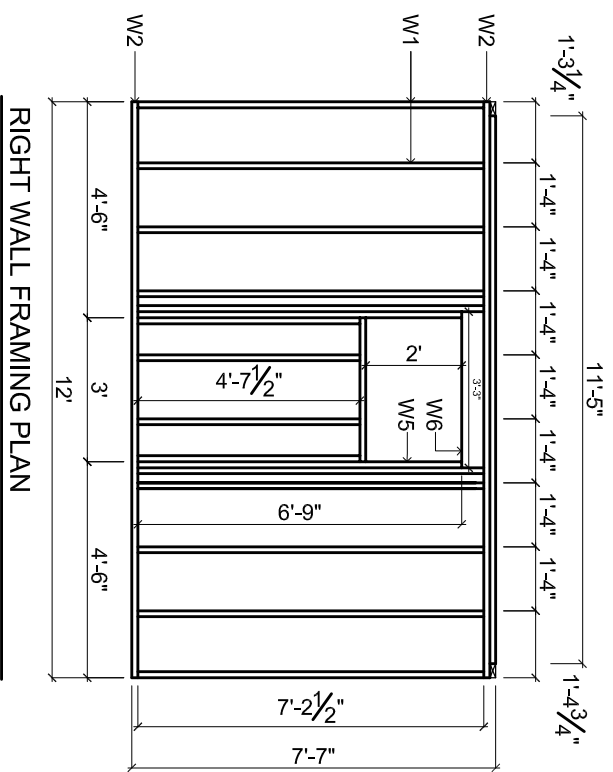
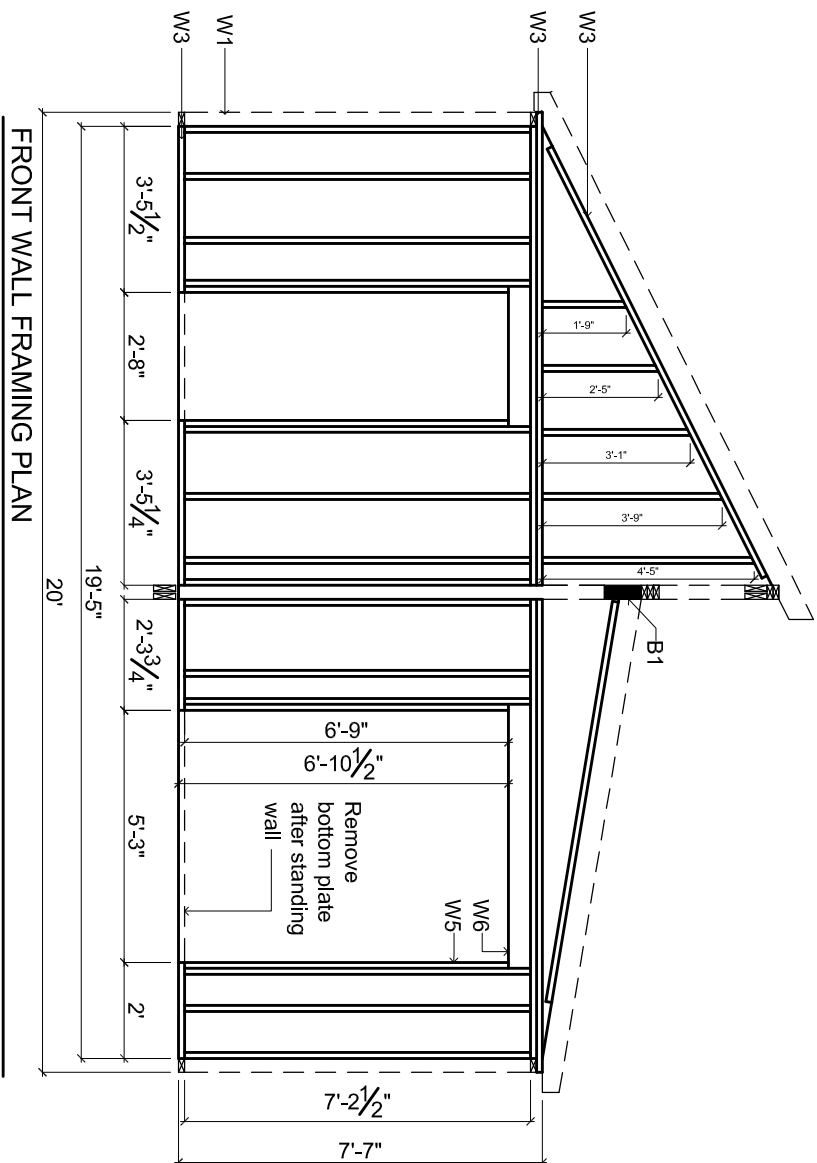
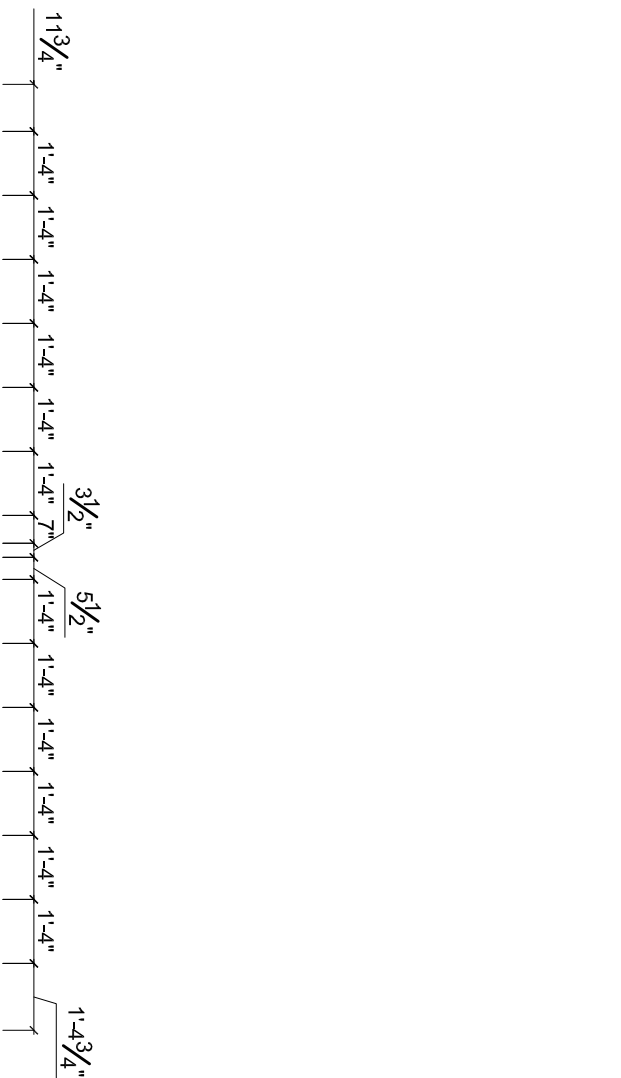


FLOOR FRAMING MATERIALS

CODE	DESCRIPTION	LENGTH	QTY.
F1	2x6 Floor Joist	20'-0"	10
F2	2x6 Rim Joist	12'-0"	2
F4	Full Face O.S.B. T.&G. 4'x8'x3/4"		8
F10	SIMPSON A23 CLIP		10



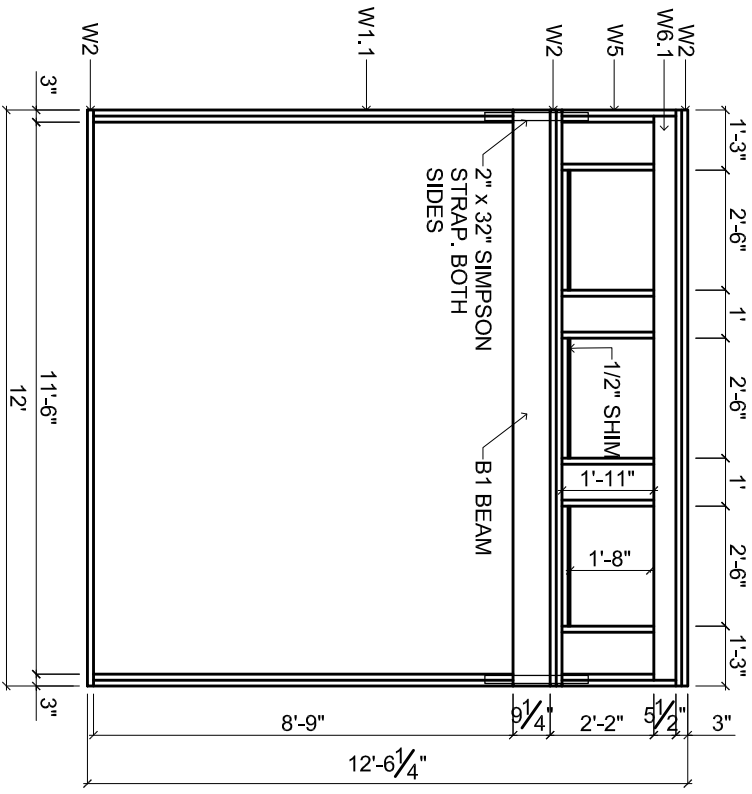
FLOOR SHEETING PLAN



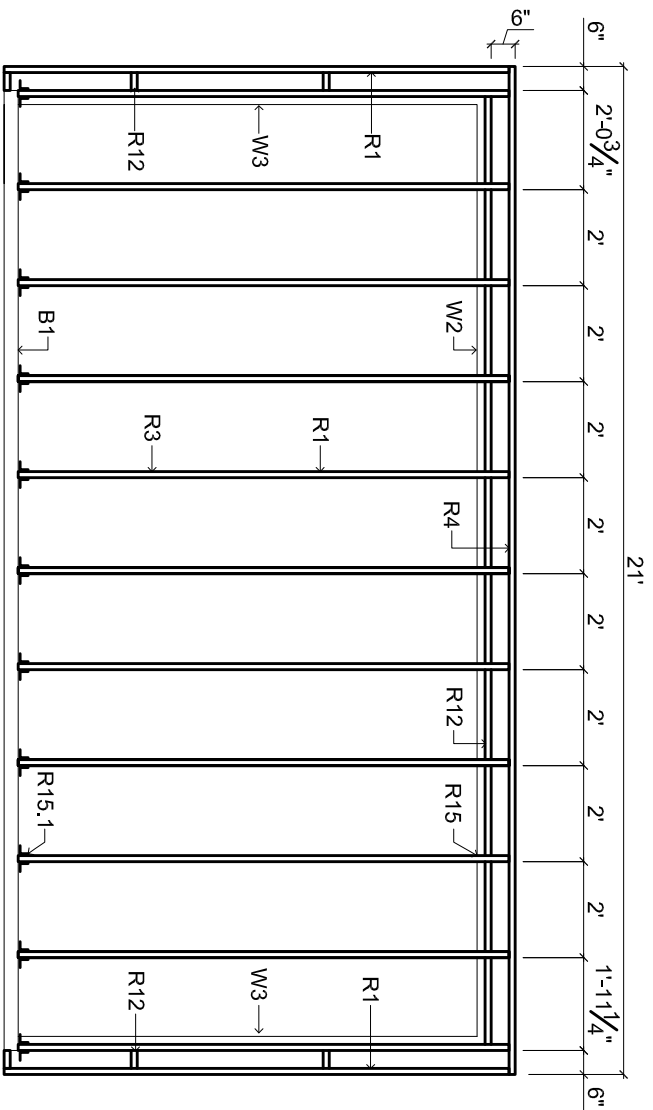
CODE	DESCRIPTION	LENGTH	QTY.
W1	2x4 Wall Stud	92 5/8"	70
W1.1	2x4 Wall Stud	91-0"	4
W2	2x4 Wall Plate, Short	12-0"	6
W3	2x4 Wall Plate, Long	10-0"	16
W5	2x4 Trimmer	92 5/8"	10
W6	2x6 Header	8-0"	4
W6.1	2x6 Header	12-0"	2
B1	2X10 Beam	12-0"	2

BEAM TO BE STRAPPED TO WALL FRAMING USING SIMPSON ST12 STRAPS.

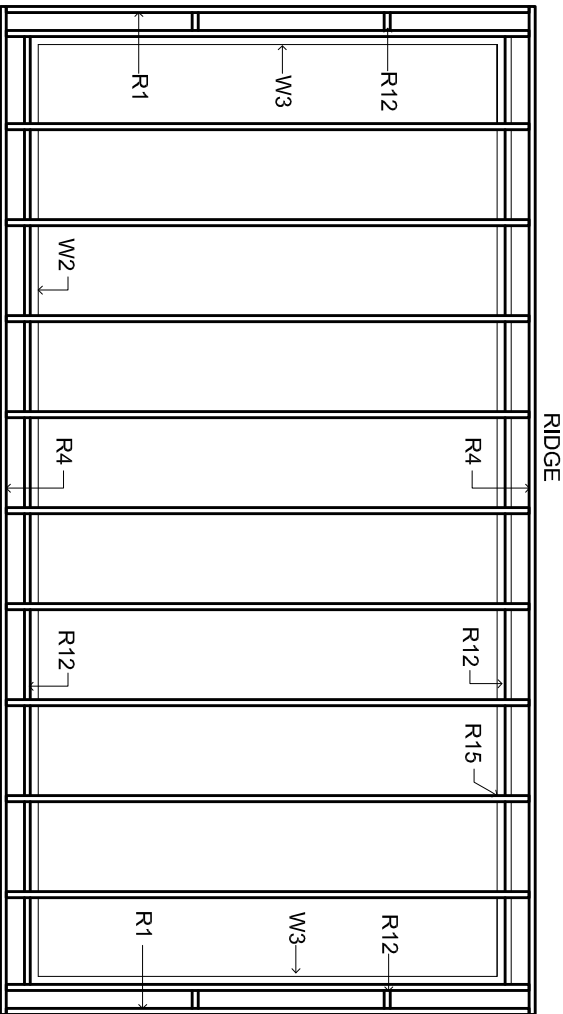
Door Header:
 -The door header is made by nailing together 2 - 2x6's with a piece of O.S.B. sheathing between them. Put 2 nails every 6 inches and 2 inches from the ends.



CENTER WALL FRAMING PLAN



LOWER ROOF FRAMING PLAN

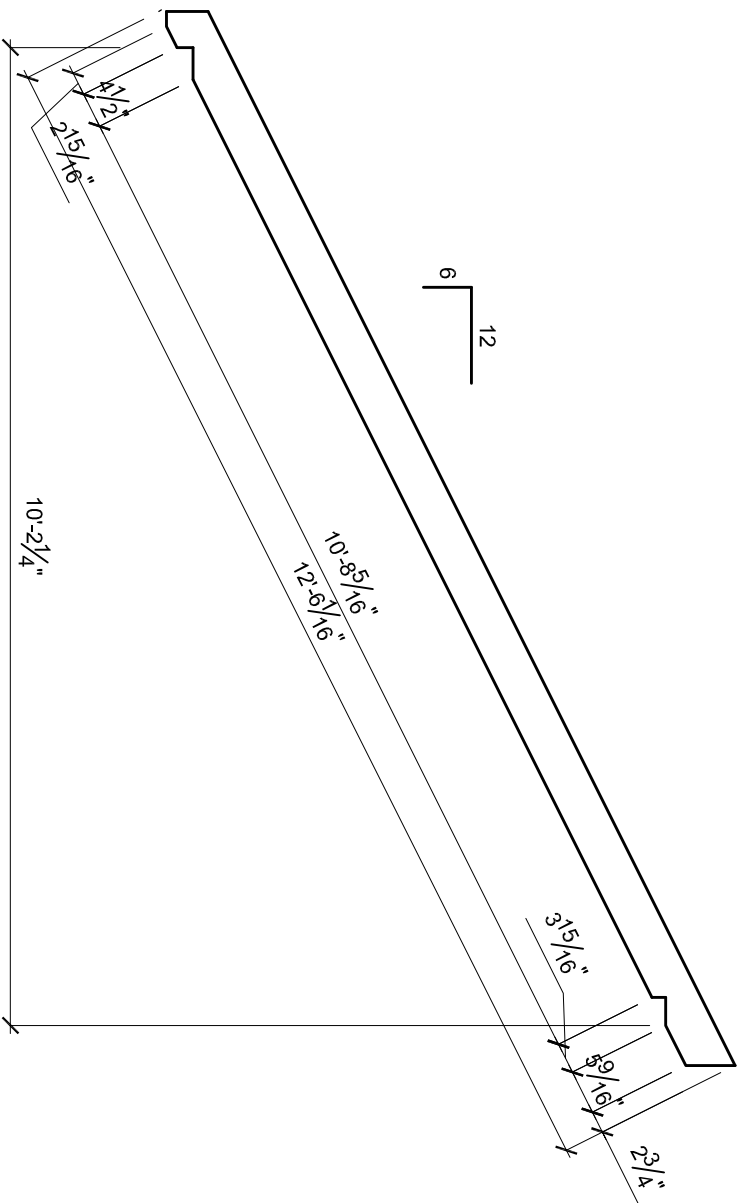


UPPER ROOF FRAMING PLAN

ROOF FRAMING MATERIALS

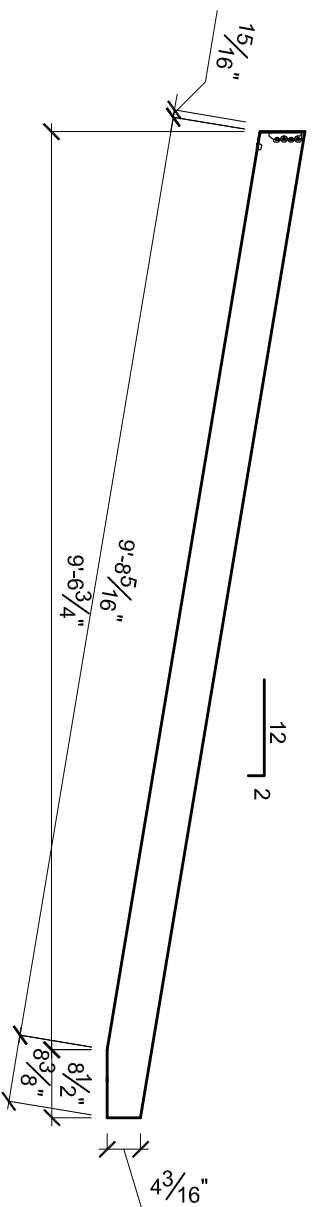
CODE	DESCRIPTION	LENGTH	QTY.
R1	2x6 Rafter	12'-0"	11
R1.1	2x6 Rafter	14'-0"	11
R2	Plywood Roof Decking	4'x8' x 1/2"	18
R4	2x6 Fascia	16'-0"	3
R4.1	2x6 Fascia Fill in ends	8'-0"	3
R12	2x6 Blocking	10'-0"	6
R15	Simpson H2.5 Hurricane Tie		27
R15.1	Simpson LRU26Z Hanger		11

See exterior elevations for roofing materials.



RAFTER DETAIL (R1) - 20' CLERESTORY - 2X6

1/2" = 1'-0" SEE THE ROOF TRUSS TEMPLATE DETAIL FOR ANGLE CUTTING INFORMATION

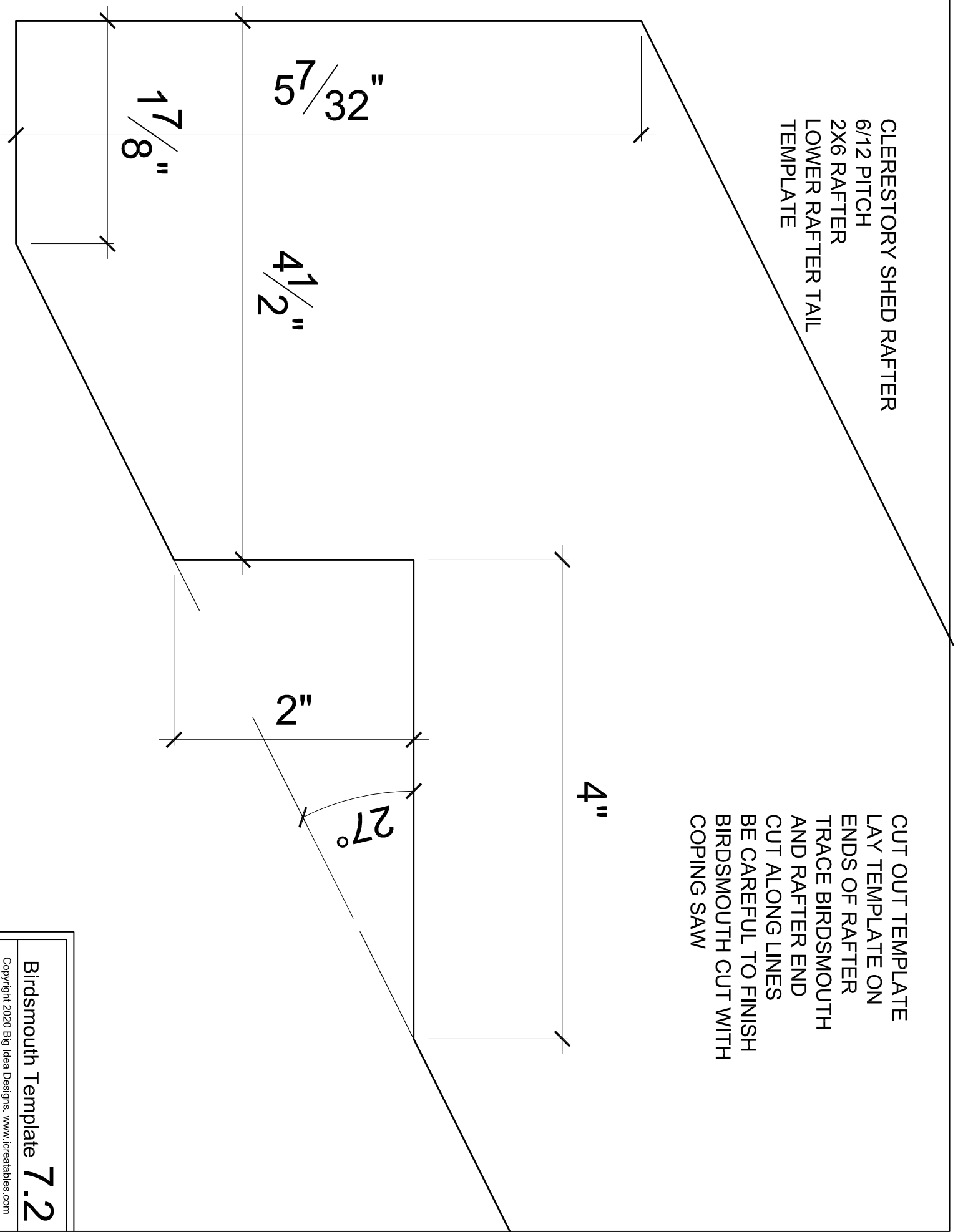


RAFTER DETAIL (R2) - 20' CLERESTORY - 2X6

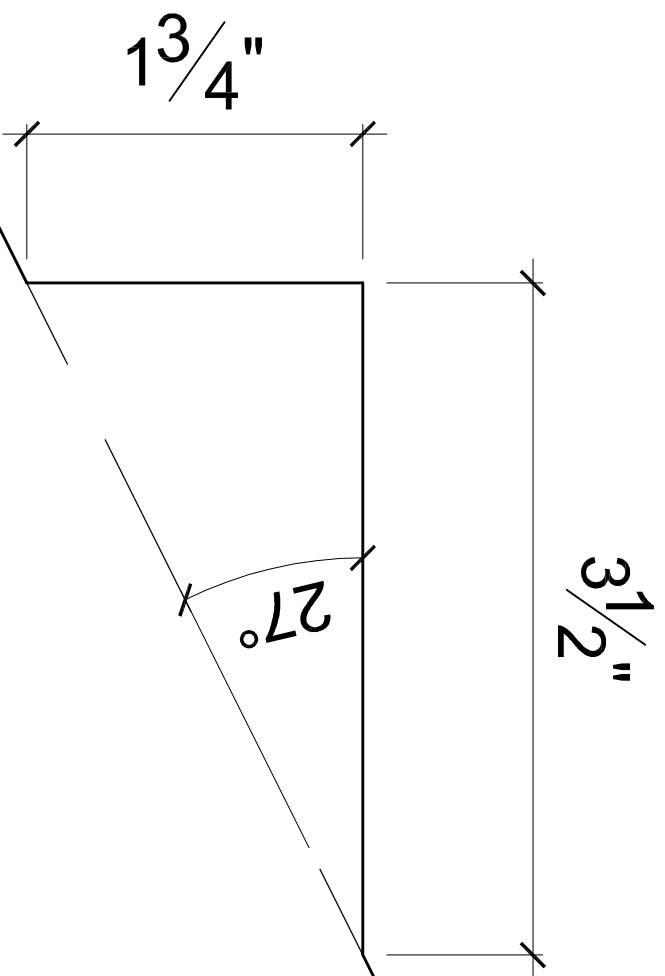
1/2" = 1'-0" SEE THE ROOF TRUSS TEMPLATE DETAIL FOR ANGLE CUTTING INFORMATION

CLERESTORY SHED RAFTER
6/12 PITCH
2X6 RAFTER
LOWER RAFTER TAIL
TEMPLATE

CUT OUT TEMPLATE
LAY TEMPLATE ON
ENDS OF RAFTER
TRACE BIRDSMOUTH
AND RAFTER END
CUT ALONG LINES
BE CAREFUL TO FINISH
BIRDSMOUTH CUT WITH
COPING SAW



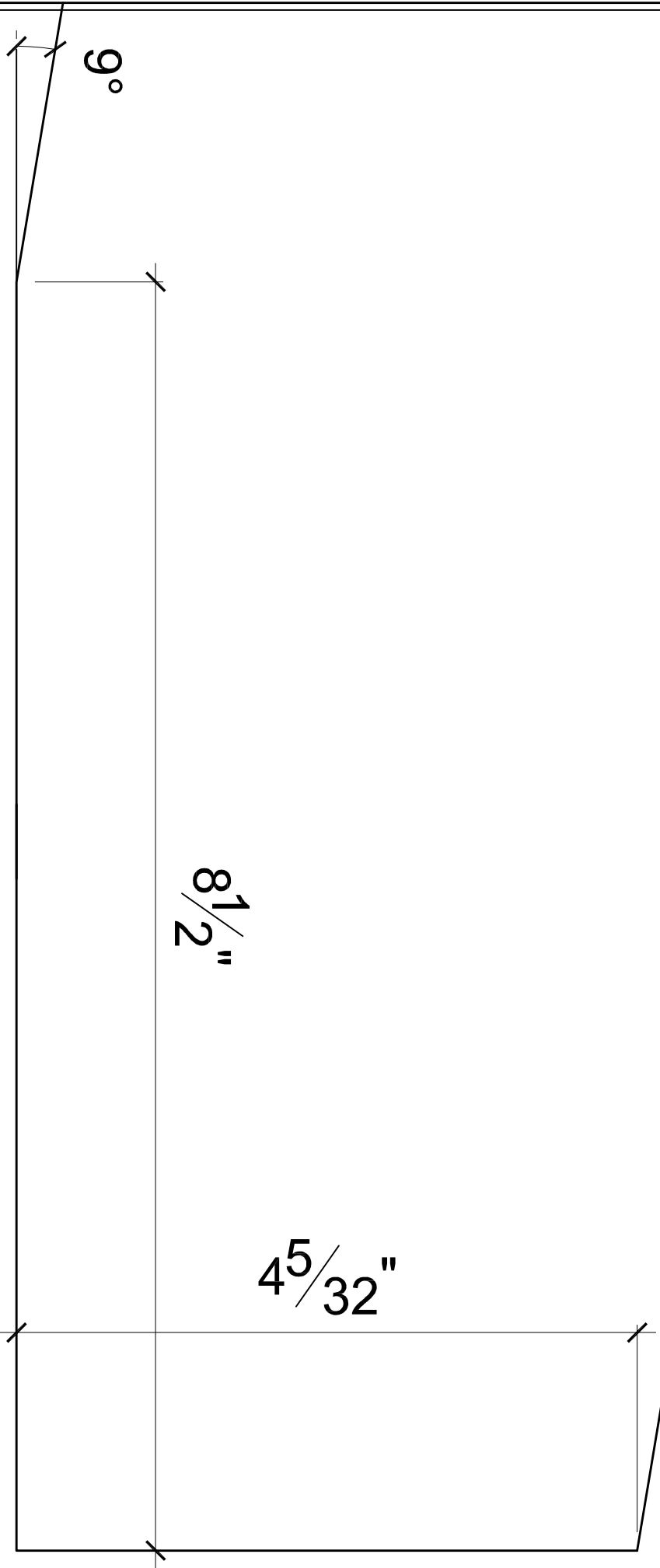
CLERESTORY SHED RAFTER
6/12 PITCH
2X6 RAFTER
UPPER RAFTER TAIL TEMPLATE

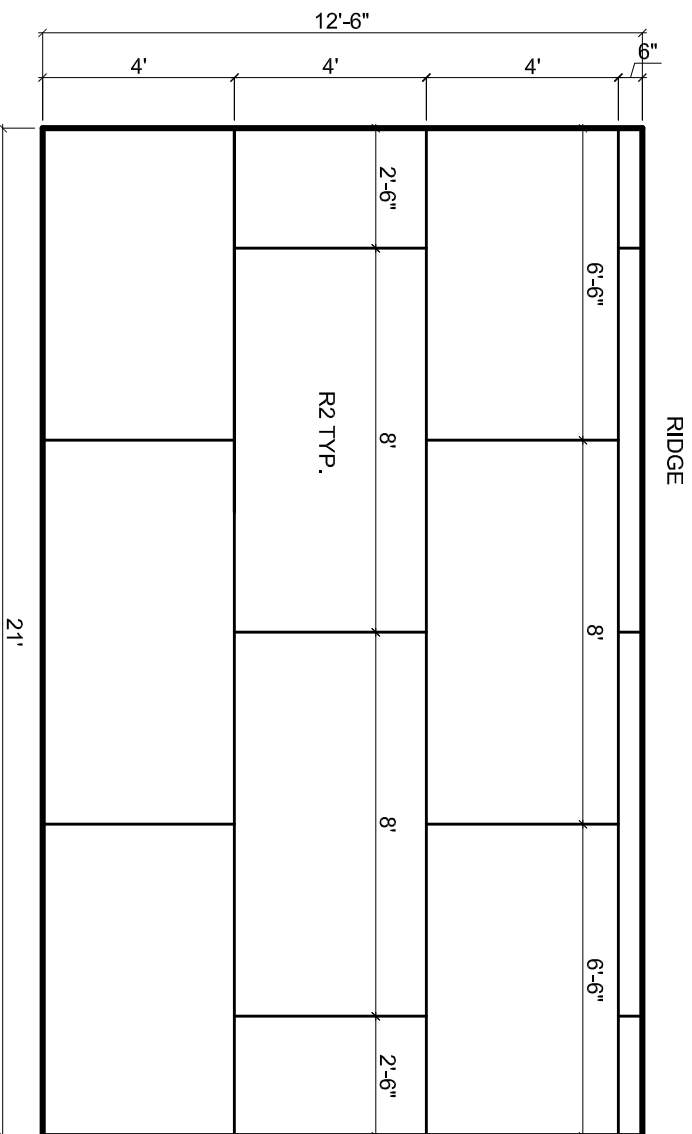
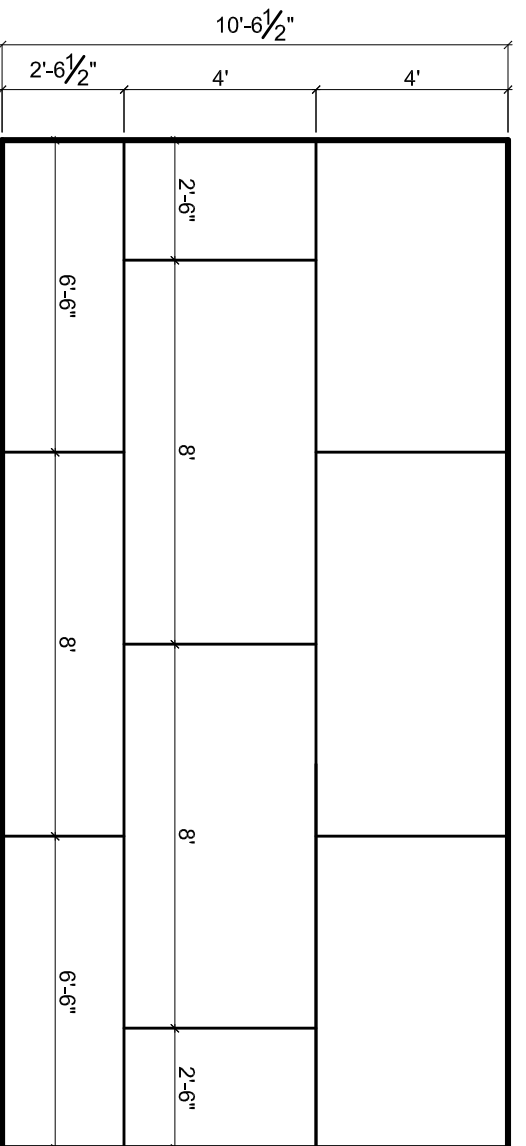


CLERESTORY SHED RAFTER
2/12 PITCH
2X6 RAFTER
UPPER RAFTER TAIL TEMPLATE

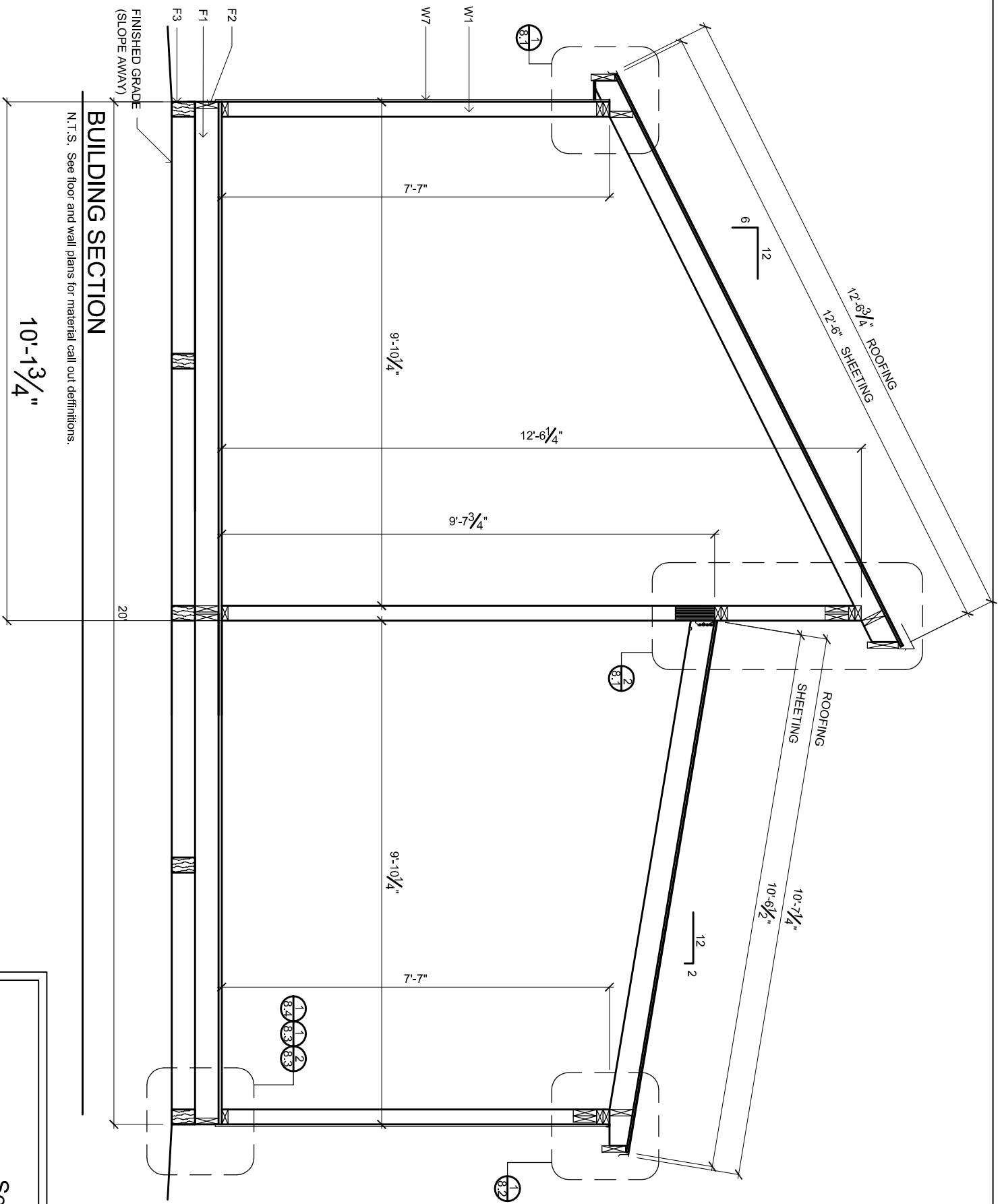
6°

CLERESTORY SHED RAFTER
2/12 PITCH
2X6 RAFTER
LOWER RAFTER TAIL
TEMPLATE





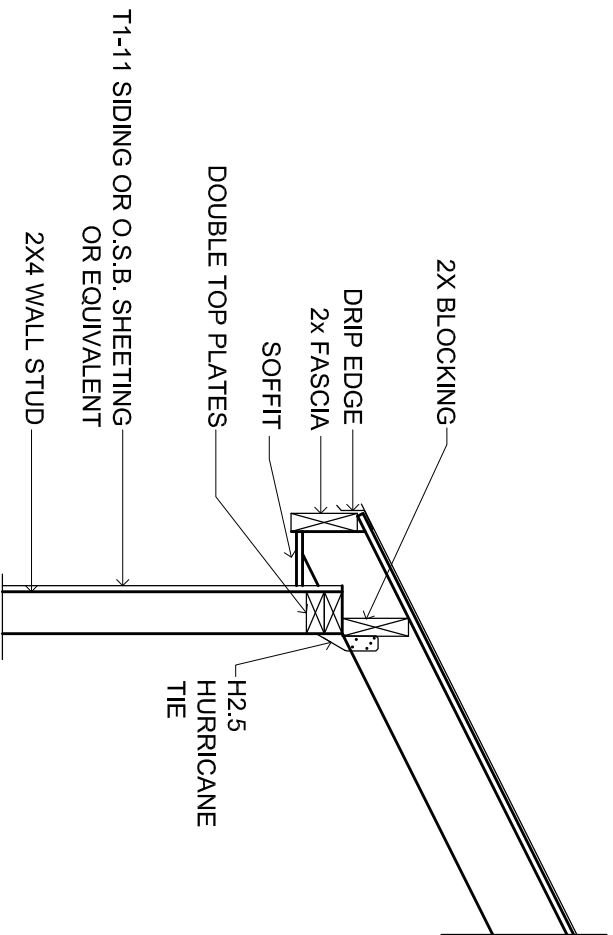
Roof Sheeting Plan 7.6



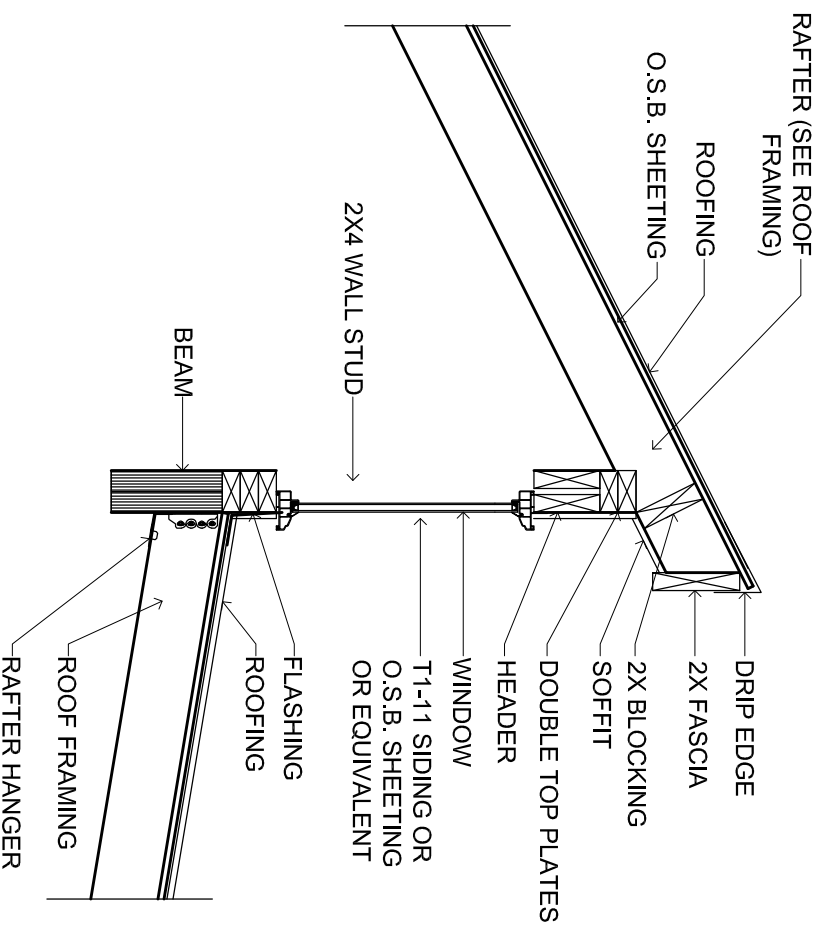
BUILDING SECTION

N.T.S. See floor and wall plans for material call out definitions.

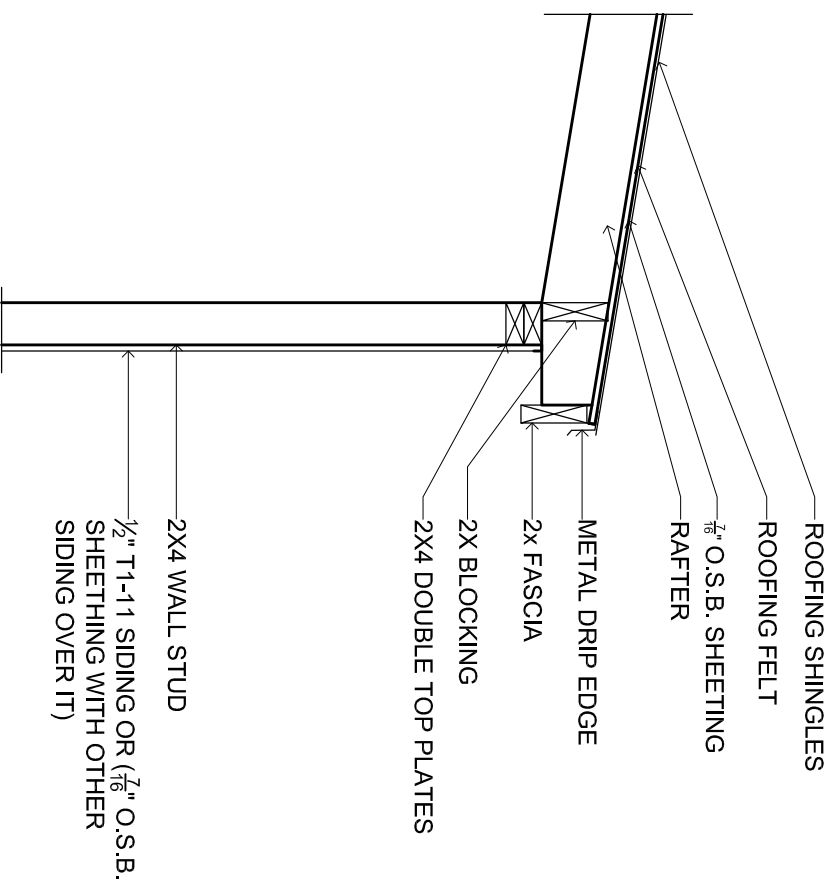
10'-13/4"



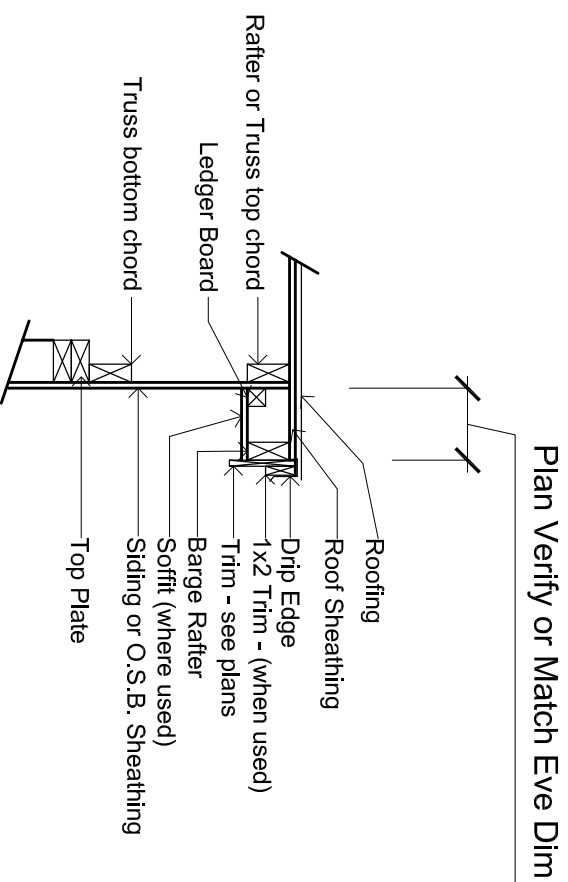
1 RAFTER LOWER EAVE DETAIL - CLERESTORY
 $\frac{3}{4}" = 1'-0"$



2 CENTER WALL EAVE DETAIL - CLERESTORY
 $\frac{3}{4}" = 1'-0"$

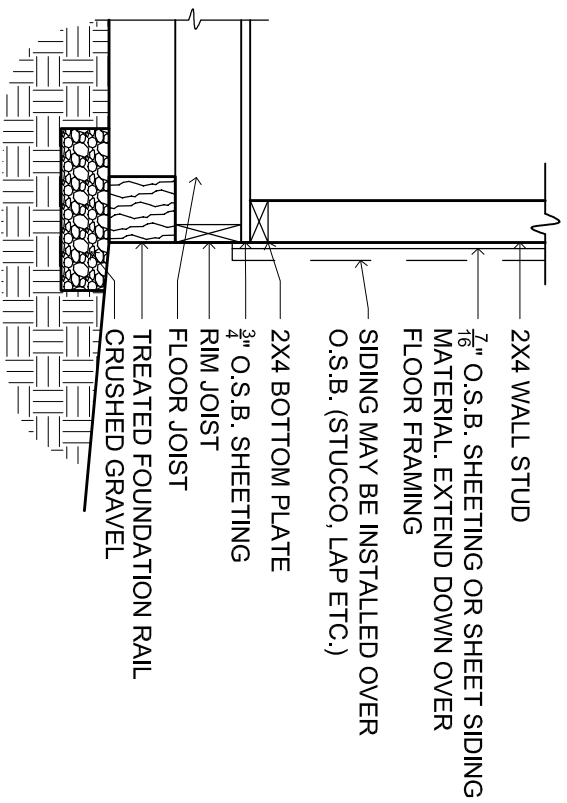


3 LOWER ROOF EAVE DETAIL - CLERESTORY
 $\frac{3}{4}$ " = 1'-0"

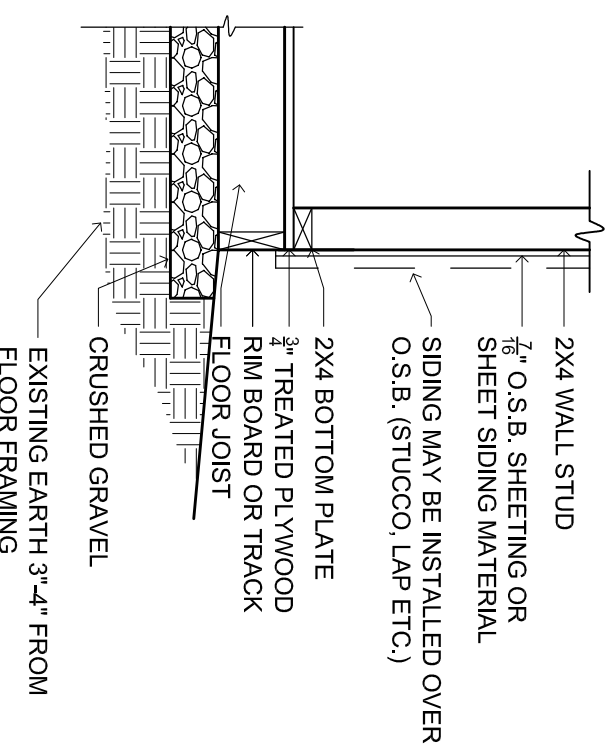


2 BOXED RAKE DETAIL - OVERHANG
 $\frac{3}{4}$ " = 1'-0"

NOTE: This design is optional on plans showing no gable overhang. Adjust the roof sheathing to accommodate the overhang by installing it with the overhang and then nailing the fascia to the underside.



1 **FRAMED FLOOR AND WOOD RAIL FOUNDATION**
 $\frac{3}{4}$ " = 1'-0" See floor and foundation framing for lumber sizes

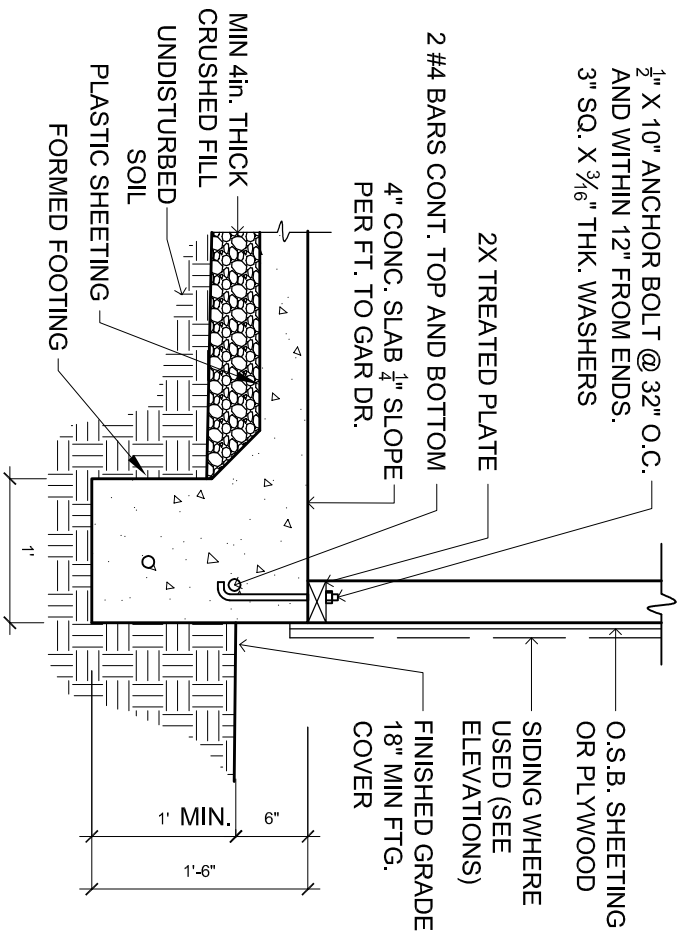


2 **TREATED OR STEEL FLOOR JOIST FOUNDATION**
 $\frac{3}{4}$ " = 1'-0"

- STEEL STUD REQUIREMENTS:
- 6" 16 GAUGE STEEL TRACK
- 6" 16 GAUGE STEEL C STUD
- TREATED LUMBER REQUIREMENTS:
- PRESSURE TREATED LUMBER



W6
2X6 HEADER DETAILS
3/4" = 1'-0"



1
MONOLITHIC SLAB WITH FOOTINGS
3/4" = 1'-0" Verify Footing Size With Local Building Official

Section **8.4**