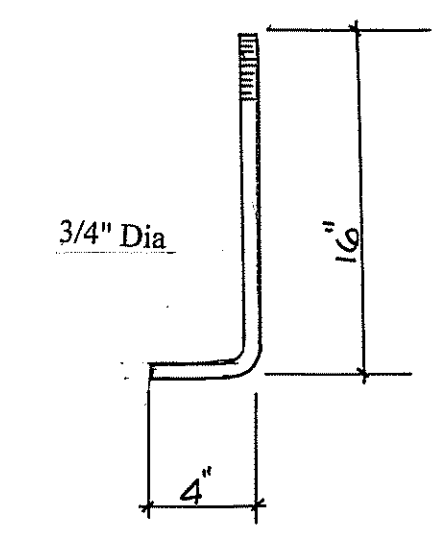


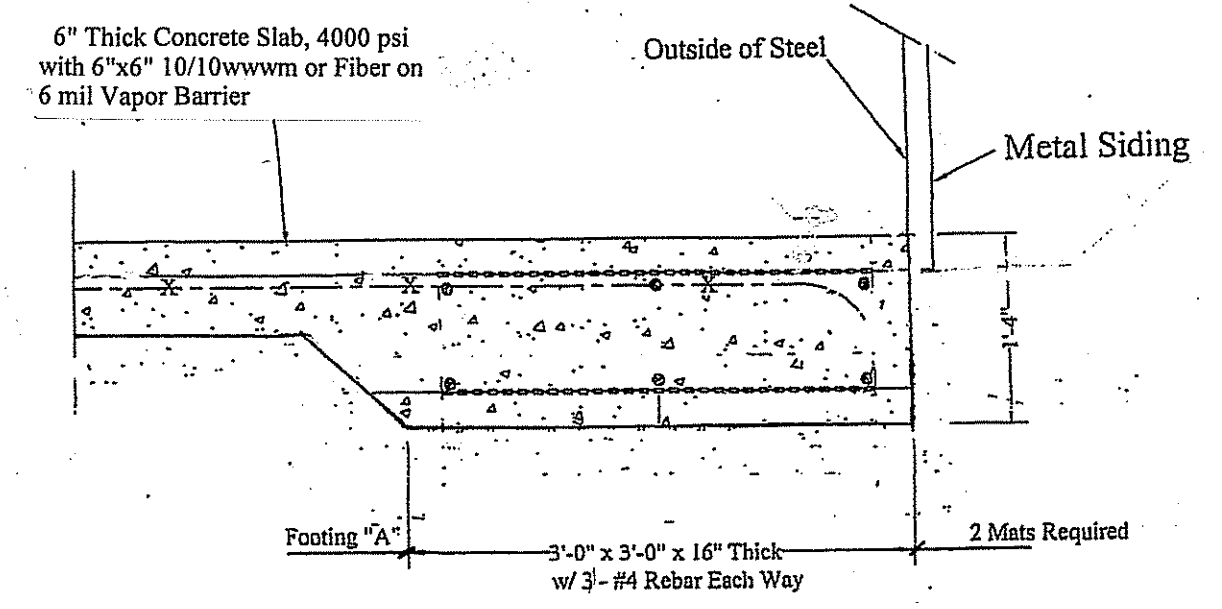
Foundation Plan

1/4" = 1'-0"

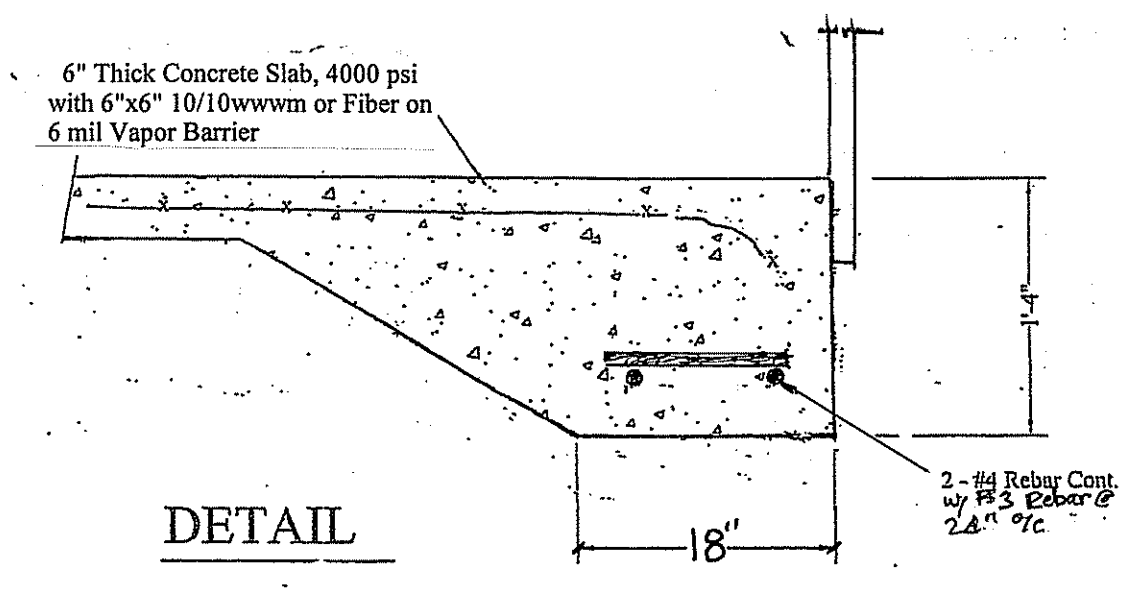


Anchor Bolt Detail

Anchor Bolts to be Galvanized



Column Footing Detail



DETAIL

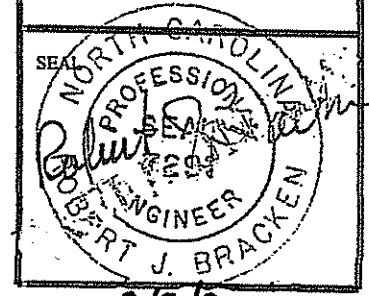
Typical Edge Of Slab Detail

Foundation Design For
 Eric Delp
 100 Dino Court
 Sanford, NC 27330

RJB, PE, PA
 C-0269
 Robert J. Bracken
 ENGINEERING • SURVEYING
 3768 Caribonion Rd. • SANFORD, N.C. 27330

SCALE: 1/4" = 1'-0"
DRAWN BY: WRJ
DATE:
CHECKED BY: RJB
DWG. NO.
JOB NO.
SHEET NO.

1



9/8/20

NOTE: See Anchor Bolt Layout From Steel Drawings For Placement Of Bolts