



# SCHULTE BUILDING SYSTEMS

17600 BADTKE ROAD  
 HOCKLEY, TEXAS 77447  
 281-304-6111 office  
 281-304-6113 fax

DRAWING INDEX		
ISSUE	PAGE	DESCRIPTION
0	C1 OF 2	COVER PAGE
0	C2 OF 2	NOTES PAGE
0	F1 OF 2	ANCHOR ROD PLAN
0	F2 OF 2	REACTIONS
0	E1 OF 6	ROOF FRAMING
0	E2 OF 6	CROSS SECTION
0	E3 OF 6	SIDEWALL ELEVATION
0	E4 OF 6	SIDEWALL ELEVATION
0	E5 OF 6	ENDWALL ELEVATION
0	E6 OF 6	ENDWALL ELEVATION
0	D1 OF 4	DETAIL DRAWINGS
0	D2 OF 4	DETAIL DRAWINGS
0	D3 OF 4	DETAIL DRAWINGS
0	D4 OF 4	DETAIL DRAWINGS

### BUILDING DESCRIPTION

BUILDING SIZE: 40.00' x 38.00' x 12.00' SLOPE: 4.0:12  
 BUILDING SIZE: \_\_\_\_\_ SLOPE: \_\_\_\_\_  
 BUILDING SIZE: \_\_\_\_\_ SLOPE: \_\_\_\_\_  
 BUILDING SIZE: \_\_\_\_\_ SLOPE: \_\_\_\_\_  
 (BUILDING DIMENSIONS ARE NOMINAL, REFER TO PLANS)

This is to certify that this structure is designed utilizing the loads indicated and applied as required by the building code shown below. The certification is limited to the structural design of the framing and covering parts manufactured by the building manufacturer and is specified in the contract. Accessory items such as doors, window, louvers, translucent panels, and ventilators are not included. Also excluded are other parts of the project not provided by the building manufacturer such as foundations, masonry walls, mechanical equipment and erection of the building. The building should be erected on a properly designed foundation in accordance with the building manufacturer's design manual, the attached drawings and good erection practices.

Design Code IBC 15 (NCBC 18)

<b>General Loads</b>			
Roof Dead Load (D)	<u>2.000</u>	psf	
Roof Collateral Load (C)	<u>3</u>	psf	
Roof Live Load (Lr)	<u>20.00</u>	psf	
Tributary Live Load Reduction	<u>Yes</u>		
<b>Snow Load</b>			
Flat-Roof Snow Load (Pf)	<u>7.0000</u>	psf	
Ground Snow Load (Pg)	<u>10.0000</u>	psf	
Snow Exposure Factor (Ce)	<u>1</u>		
Snow Load Importance Factor (Is)	<u>1.0000</u>		
Thermal Factor (Ct)	<u>1.00</u>		
<b>Wind Load</b>			
Wind Speed (V 3S)	<u>N/A</u>		
Wind Speed (Vult & Vasd)	<u>116.0000</u>	mph	<u>90</u> mph
Occupancy / Risk Category	<u>II - Normal</u>		
Wind Exposure Category	<u>B</u>		
Internal Pressure Coefficient (GCpi)	<u>+/- 0.18</u>		
Wind Enclosure	<u>Closed</u>		
Wind Importance Factor	<u>N/A</u>		
<b>Seismic Load</b>			
Seismic Importance Factor (Ie)	<u>1.00</u>		
Spectral Response Accelerations (Ss and S1)	<u>0.1980</u>		<u>0.0910</u>
Site Class	<u>D</u>		
Spectral Response Coefficients (Sds and Sd1)	<u>0.2112</u>		<u>0.1456</u>
Seismic Design Category	<u>C</u>		
Basic Seismic-Force-Resisting System(s) *			
	Longitudinal	Lateral	
Total Design Base Shear (V)	<u>1.53</u>	Kips	<u>1.00</u> Kips
Seismic Response Coefficient(s) (Cs)	<u>0.0704</u>		<u>0.0704</u>
Response Modification Factor(s) (R)	<u>3.0000</u>		<u>3.0000</u>
Analysis Procedure: Equivalent Lateral Force			

\* Steel Systems not Specifically Detailed for Seismic Resistance.

### PANEL, TRIM AND FRAMING INFORMATION

#### ROOF PANELS

TYPE: PBR GAUGE: 26 COLOR: Brownstone (Kynar)  
 UL90 CERTIFICATION: No  
 INSULATION: 4 in. (By Others)  
 MASTIC: Wide  
 IF STANDING SEAM: CLIP TYPE: \_\_\_\_\_

#### WALL PANELS

TYPE: PBR GAUGE: 26 COLOR: Rustic Red  
 INSULATION: 4 in. (By Others)

#### LINER PANELS

TYPE: \_\_\_\_\_ GAUGE: \_\_\_\_\_ COLOR: \_\_\_\_\_  
 HEIGHT: FULL

#### FASCIA PANELS

TYPE: \_\_\_\_\_ GAUGE: \_\_\_\_\_ COLOR: \_\_\_\_\_

#### SOFFIT PANELS

TYPE: \_\_\_\_\_ GAUGE: \_\_\_\_\_ COLOR: \_\_\_\_\_

#### PARTITION PANELS

TYPE: \_\_\_\_\_ COLOR: \_\_\_\_\_

#### TRIM

RAKE: \_\_\_\_\_ COLOR: Saddle Tan  
 EAVE: \_\_\_\_\_ COLOR: Saddle Tan  
 GUTTER: \_\_\_\_\_ COLOR: Saddle Tan  
 DOWNSPOUT: \_\_\_\_\_ COLOR: Saddle Tan  
 VALLEY GUTTER: \_\_\_\_\_ COLOR: \_\_\_\_\_  
 HEADER: \_\_\_\_\_ COLOR: Solar White  
 SILL: \_\_\_\_\_ COLOR: Solar White  
 JAMB: \_\_\_\_\_ COLOR: Solar White  
 BASE TRIM: \_\_\_\_\_ COLOR: Rustic Red  
 CORNER: \_\_\_\_\_ COLOR: Saddle Tan  
 LINER: \_\_\_\_\_ COLOR: \_\_\_\_\_  
 SOFFIT: \_\_\_\_\_ COLOR: \_\_\_\_\_  
 FASCIA SILL: \_\_\_\_\_ COLOR: \_\_\_\_\_  
 CAP TRIM: \_\_\_\_\_ COLOR: \_\_\_\_\_

#### PRIMARY FRAMING

(MAIN FRAMES & ENDWALL FRAMES) Red-Oxide  
 (WIND COLUMNS & BENTS)

#### SECONDARY FRAMING

(GIRTS, EAVE STRUTS, PURLINS Red-Oxide  
 DOOR/FRAMED OPNG. & CLIPS ETC.)

DN 9

Loads, as noted, are as given within order documents and are applied in general accordance with the applicable provisions of the model code and/or specification indicated. Neither the manufacturer nor the certifying engineer declares or attests that the loads as designated are proper for local provisions that may apply or for site specific parameters. The manufacturer's engineer's certification is limited to designs supplied by and/or engineer of record for the overall construction project.

DN 10

This metal building system is designed as enclosed. All exterior components (i.e. doors, windows, vents, etc.) must be designed to withstand the specified wind loading for the design of components and cladding in accordance with the specified building code. Doors are to be closed when a maximum of 50% of design wind velocity is reached.

DN 17

This project is designed using manufacturer's standard serviceability standards. Generally this means that all stresses and deflections are within typical performance limits for normal occupancy and standard metal building products. If special requirements for deflections and vibrations must be adhered to, then they must be clearly stated in the contract documents.

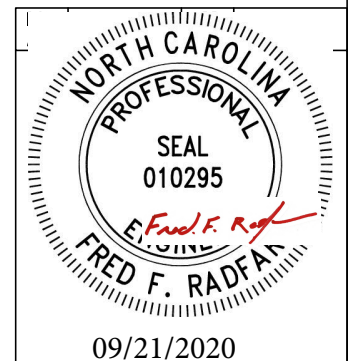
DN 18

X-Bracing is to be installed to a taut condition with all slack removed. Do not tighten beyond this state.

DN 28

The framed opening support members provided are designed ONLY for wind load forces exerted "normal (perpendicular) to the opening". No additional loads are included.

IAS Certification Accredited  
 Certification # MB-188



FRED F. RADFAR P.E.  
 30 WINDERMERE LANE  
 HOUSTON, TEXAS 77063  
 713-784-9008  
 fred@radfarpe.com  
 North Carolina License #010295  
 Exp. 12/31/2020

DRAWING STATUS		REVISIONS				
		NO.	DATE	DESCRIPTION	BY	CK'D
<input type="checkbox"/>	FOR APPROVAL:					
THESE DRAWINGS, BEING FOR APPROVAL, ARE BY DEFINITION NOT FINAL, AND ARE FOR CONCEPTUAL REPRESENTATION ONLY. THEIR PURPOSE IS TO CONFIRM PROPER INTERPRETATION OF THE PROJECT DOCUMENTS. ONLY DRAWINGS ISSUED "FOR CONSTRUCTION" CAN BE CONSIDERED AS COMPLETE.						
<input type="checkbox"/>	FOR PERMIT:					
THESE DRAWINGS, BEING FOR PERMIT, ARE BY DEFINITION NOT FINAL IN THAT, AS A MINIMUM, PIECE MARKINGS ARE NOT IDENTIFIED. ONLY DRAWINGS ISSUED "FOR CONSTRUCTION" CAN BE CONSIDERED AS COMPLETE.						
<input checked="" type="checkbox"/>	FOR CONSTRUCTION:					
FINAL DRAWINGS.						

NO.	DATE	DESCRIPTION	BY	CK'D
0	9/21/20	PERMIT FOR CONSTRUCTION	LL	LL

**SCHULTE BUILDING SYSTEMS**  
 17600 Badtke Road - Hockley, Texas 77447  
 PHONE: 281.304.6111 877.257.2534  
 FAX: 281.304.6113  
 www.SchulteBuildingSystems.com

**SBS**  
 SCHULTE BUILDING SYSTEMS

OWNER OR PROJECT	ERIC DELP PROJECT	CUSTOMER	SANFORD METAL BUILDING, LLC
JOB SITE LOCATION	100 DINO COURT SANFORD, NC 27332	ADDRESS	P.O. BOX 5231 SANFORD, NC 27331
CAD BY	ENGRD BY	DATE	SCALE
LL	FR	9/18/20	N.T.S.
JOB NO.	PH	BLDG. DESC.	SHEET NO.
163871			C1 of 2
ISSUE			0

**GENERAL NOTES**

- The seal that appears on these drawings is the seal of the engineer for this building manufacturer who is NOT the engineer of record.
- This building manufacturer is not responsible for errors, omissions or damages incurred in the erection of building components, nor for the inspection of erected components to ascertain same.
- Temporary bracing must be installed by erector to provide adequate stability during erection. Bracing indicated on the erection drawings is critical to the stability of the completed structure and shall not be removed.
- Wall and liner panels are an integral part of the structural system. Unauthorized removal of panels is prohibited.
- "Oil-canning", a perceived waviness inherent to light gauge metal, may exist. This condition does not affect the finish or structural integrity of the panel, and is therefore not a cause for rejection.
- Trim part marks are as shown: ex. FL-32-20'-2" trim length in feet and inches.

**APPROVAL NOTES**

The following conditions apply in the event that these drawings are used as approval drawings:

A) It is imperative that any changes to these drawings:

- Be made in contrasting ink.
- Have all instances of change clearly indicated.
- Be legible and unambiguous.

B) Dated signature is required on all pages.

C) Manufacturer reserves the right to re-submit drawings with extensive or complex changes required to avoid misfabrications. This may impact the delivery schedule.

D) Approval of these drawings indicates conclusively that the manufacturer has correctly interpreted the contract requirements, and further constitutes agreement that the building as drawn, or as drawn with indicated changes represents the total of the materials to be supplied by manufacturer.

E) Any changes noted on the drawings not in conformance with the terms and requirements of the contract between manufacturer and its customer are not binding on manufacturer unless subsequently specifically acknowledged and agreed to in writing by change order or separate documentation. Manufacturer recognizes that rubber stamps are routinely used in indicating approval, disapproval, rejection, or mere review of the drawings submitted. However, manufacturer does not accept changes or additions to contractual terms and conditions that may appear with the use of a stamp or similar indication of approval, disapproval, etc. Such language applied to the manufacturer's drawings by the customer, architect, engineer, or any other party will be considered as unacceptable alterations to these drawing notes, and will not alter the contractual rights and obligations existing between manufacturer and its customer.

**SAFETY COMMITMENT**

The building manufacturer has a commitment to manufacture quality building components that can be safely erected, however, the safety commitment and job site practices of the erector are beyond the control of the building manufacturer. It is strongly recommended that safe working conditions and accident prevention practices be the top priority of any job site. Local, state and federal safety and health standards, whether standard statutory or customary, should always be followed to help insure worker safety. Make certain all employees know the safest and most productive way of erecting a building. Emergency procedures should be known to all employees. Daily meetings highlighting safety procedures are also recommended. The use of hard hats, rubber sole shoes for roof work, proper equipment for handling material, and safety nets where applicable, are recommended.

**BOLT TIGHTENING**

The proper tightening and inspection of all fasteners is the responsibility of the erector. All high strength (A325, A490) bolts and nuts must be tightened by the "turn-of the nut" method unless otherwise specified by the end customer in the contract documents. Inspection of high strength bolt and nut installation by other than the erector must also be specified in the contract documents and the erector is responsible for ensuring that the installation and inspection procedures are compatible prior to the start of erection. (MBMA 2006 iv 6.9)

**BUILDER/CONTRACTOR RESPONSIBILITIES**

It is the responsibility of the builder/contractor to insure that all project plans and specifications comply with the applicable requirements of any governing building authorities. The supplying of sealed engineering data and drawings for the metal building system does not imply or constitute an agreement that the building manufacturer or its design engineer is acting as the engineer of record or design professional for a construction project. The contractor must secure all required approval and permits from the appropriate agency as required. Approval of the manufacturer's drawings and calculations indicate that the building manufacturer correctly interpreted and applied the requirements of the contract drawings and specifications. (sect. 4.4.1 AISC code of standard practices, 13th ed.) Where discrepancies exist between the manufacturer's structural steel plans and the plans for other trades, the structural steel plans shall govern. (sect. 3.3 AISC code of standard practice 13th ed.) Design considerations of any material in the structure which are not furnished by the building manufacturer are the responsibility of the contractors and engineers other than the building manufacturer's engineer unless specifically indicated. The contractor is responsible for all erection of steel and associated work in compliance with the building manufacturer's "for erection installation" drawings. Products shipped to builder or his customer shall be inspected by builder immediately upon arrival. Claims for shortages or defective material, if not packaged, must be made to the manufacturer in writing within five (5) days after receipt of the shipment. However, if a defect is of such nature that reasonable visual inspection would fail to disclose it, then the claim must be made within five (5) days after the builder learns of the defect. The manufacturer will not be liable for any defect unless claim is made one (1) year after date of the original shipment by the manufacturer to builder or his customer. The manufacturer will be given a reasonable opportunity to inspect defective materials upon receipt of claim by builder. If a defect is of such nature that it can be remedied by a field operation at the job site without the necessity of returning the material to the manufacturer, then upon written authorization of the manufacturer, the builder may repair or cause the material to be repaired and the manufacturer will reimburse the builder for the cost of the repair in accordance with the written authorization. Unless noted otherwise, all bracing as shown and provided by the manufacturer for this building is required and shall be installed by the erector as a permanent part of the structure. Temporary supports, such as temporary guys, braces, false work, cribbing or other elements required for the erection operation will be determined and furnished and installed by the erector. These temporary supports will secure the steel framing, or any partly assembled steel framing, against loads comparable in intensity to those for which the structure was designed, resulting from wind, seismic forces and erection operations, but not the loads resulting from the performance of work by or the acts of others, nor such unpredictable loads as those due to tornado, explosion or collision. (sect. 7.10.3 AISC code of standard practice, 13th ed.) Design of gutter and downspout is a function of the rainfall intensity and area to be drained. Design parameters utilized are in accordance with the 2006 low rise building systems manual and/or the 12th edition of the architectural graphic standards, as applicable. Proper owner maintenance dictates that the drainage system be kept free of debris and/or ice at all times to ensure proper function of the gutter and downspout. In those cases where the owner/tenant of a property is unwilling or unable to provide proper maintenance, elimination of gutter should be considered as an alternative.

**PRODUCT CERTIFICATION**

The building manufacturer is member of the Metal Building Manufacturers Association. The building manufacturer's fabrication and products are covered by one or more of the following certification:

- Approved fabricator of prefabricated buildings and components. Reference IAS(MB-188)
- City of Houston approved fabricator (registration no. 721)

**International Building Code (IBC)**

Material properties of steel plates used in the fabrication of primary rigid frames, and primary structural exclusive of cold-formed sections, conform to ASTM-A529 or A-572. Flanges with thickness of 1" or less and width of 12" or less conformed to A-529 with minimum yield point of 55,000 PSI. Flanges greater than 1/8" in thickness and 12" in width conformed to A-572 with min. yield point of 50,000 PSI. Flanges with a thickness greater than 1" thick and a width less than 12" conform to A-572 with a min. yield point of 50,000 PSI. Material properties of pipe sections conform to ASTM-A53 type E, Grade B with a min. yield point 35,000. Material properties of hot rolled steel members conform to the requirements of ASTM-A992 or A-572 with a min. yield point of 50,000 PSI. Material properties of cold formed light gauge steel members conform to ASTM-A1011 Grade 55 with a min. yield point of 55,000 PSI. Materials properties of roof/wall sheathing, base material conform to ASTM-A792 Grades 50 or 80 with min. yield point of 50,000 PSI on 80,000 PSI respectively, as required by design Coating & base material is 55% aluminum-zinc alloy in accordance with AZ55 for unpainted or AZ50 for painted specification. Cable utilized for bracing conforms to ASTM A475. Cable bracing is to be installed to a taut condition with all slack removed. Rod & angle utilized for bracing members conform to ASTM A36. Structural joints with ASTM A-325 high strength bolts, where indicated on the drawings, shall be assembled and the fasteners tightened in accordance with the bolt tightening procedure per MBMA '96 IV 6.9. All joints will be assembled without washers unless otherwise noted. All steel members except bolts, fasteners & cable shall receive one shop coat of iron oxide corrosion inhibitive primer, meeting the performance requirements of SSPC paint Specification #15. Shop & field inspections and associated fees are the responsibility of the contractor, unless stipulated otherwise in the contract.

**Packing List: 12345**

**Ship To: LUIS MARTINEZ**  
5487 FM 744  
PAWNDE, TX, 71576

**Truck ID: EXPRESS**

Carton ID	Piece Mark	Description	Dims/Qty	Length	Unit Weight	Gross Weight	Order#	Line#	Cost/PO#
<b>C128990 BUILDING SERVICE 0x0x0</b>									
	RF1-1	BUILT UP SECTION	2	8' 3-7/16"	124.0	248	12345	1	896790
	RF1-2	BUILT UP SECTION	2	10' 7-5/8"	154.0	308	12345	2	896790
	RF2-1	BUILT UP SECTION	1	8' 3-7/16"	125.0	125	12345	3	896790
<b>C128945 BUILDING SERVICE 0x0x0</b>									
	EC-1	ENDWALL COLUMN 8X35C16	2	8' 10-15/16"	27.5	55	12345	8	896790
	EC-2	ENDWALL COLUMN 8X35C16	2	11' 8-7/16"	33.3	67	12345	9	896790
	ER-1	ENDWALL RAFTER 8X35C14	2	8' 9-5/8"	25.1	50	12345	10	896790
	ER-2	ENDWALL RAFTER 8X35C14	2	8' 9-5/8"	25.1	50	12345	11	896790
<b>PA12E9697B4- 29ga PBR DESERT SAND PANEL 8MP 178x0x0</b>									
	LEFT ENDWALL	29GA PBR ENDWALL PANEL	2	14' 9-1/2"	39.5	79	12345	35	896790
	LEFT ENDWALL	29GA PBR ENDWALL PANEL	2	13' 9-1/2"	37.0	74	12345	39	896790
	LEFT ENDWALL	29GA PBR ENDWALL PANEL	2	12' 9-1/2"	34.5	69	12345	41	896790
<b>C127443-BUNDLE ZEE 0x0x0</b>									
	G-1	ZEE 8 X 2-3/8 X 2-1/8 18GA RED OXIDE	4	4' 7-1/2"	12.7	51	12345	17	896790
	G-2	ZEE 8 X 2-3/8 X 2-1/8 18GA RED OXIDE	2	12' 7-1/2"	35.0	70	12345	18	896790
	G-3	ZEE 8 X 2-3/8 X 2-1/8 18GA RED OXIDE	4	4' 3-1/2"	11.7	47	12345	19	896790
	G-4	ZEE 8 X 2-3/8 X 2-1/8 18GA RED OXIDE	1	8' 1-1/2"	22.0	22	12345	20	896790
<b>C127088-WAREHOUSE 0x0x0</b>									
		R PANEL OUTSIDE CLOSURE STRIP 36"	22		0.0	1	12345	81	896790
		TUBE CAULKING SILICONE CLEAR 10.3 OZ TUBE	14		1.1	16	12345	83	896790
		12 X 1-1/4 SELF DRILLING CARBON SCREW LIGHT STONE	750		0.0	15	12345	91	896790
<b>C128431-trim box 1 21x0x0</b>									
		FL-S1 28GA EAVE TRIM - (ALL PANELS) - LIGHT STONE SMP	2	20' 2"	13.5	27	12345	59	896790
		FL-21 28GA SCURLE RAKE END - ("R PANEL) LIGHT STONE SMP	4	15' 3"	22.2	89	12345	60	896790
		FL-10 28GA CORNER TRIM - OUTSIDE ("R" AND "A" PANEL) DESERT SAND SMP	4	10' 0"	8.2	33	12345	63	896790

Page 1

**PACKING LIST EXAMPLE**

**COLD FORM AND PANEL LABEL**

Customer: ABC CONSTRUCTION  
Job Number: 12345  
Customer PO Number: 07522  
Carton ID: PA12E9697B4

PART NAME	DESCRIPTION	LENGTH	QTY
LEFT ENDWALL	26 GA. PBR SIDEWALL PANEL	14'	9-1/2" 2
LEFT ENDWALL	26 GA. PBR SIDEWALL PANEL	13'	9-1/2" 2
LEFT ENDWALL	26 GA. PBR SIDEWALL PANEL	12'	9-1/2" 2

**TRIM BUNDLE AND WAREHOUSE LABEL**

Carton ID: C126431  
Customer: ABC CONSTRUCTION  
Job Number: 12345

**BUNDLE LABEL EXAMPLES**

FRED F. RADFAR P.E.  
30 WINDERMERE LANE  
HOUSTON, TEXAS 77063  
713-784-9008  
fred@radfarpe.com  
North Carolina License #010295  
Exp. 12/31/2020

**DRAWING STATUS**

NO.	DATE	DESCRIPTION	BY	CK'D
0	9/21/20	PERMIT FOR CONSTRUCTION	LL	LL

FOR APPROVAL: THESE DRAWINGS, BEING FOR APPROVAL, ARE BY DEFINITION NOT FINAL, AND ARE FOR CONCEPTUAL REPRESENTATION ONLY. THEIR PURPOSE IS TO CONFIRM PROPER INTERPRETATION OF THE PROJECT DOCUMENTS. ONLY DRAWINGS ISSUED "FOR CONSTRUCTION" CAN BE CONSIDERED AS COMPLETE.

FOR PERMIT: THESE DRAWINGS, BEING FOR PERMIT, ARE BY DEFINITION NOT FINAL IN THAT, AS A MINIMUM, PIECE MARKINGS ARE NOT IDENTIFIED. ONLY DRAWINGS ISSUED "FOR CONSTRUCTION" CAN BE CONSIDERED AS COMPLETE.

FOR CONSTRUCTION: FINAL DRAWINGS.

**STRAIGHT BILL OF LADING - SHORT FORM - ORIGINAL - NOT NEGOTIABLE**

DATE	CARRIER	BILL OF LADING #
10/07/11	JOE TRUCKING	84321

**SHIPPER AND ORIGIN**  
ABC BUILDINGS  
17812 BROWN RD  
HOUSTON, TX

**CONSIGNEE AND DESTINATION**  
BOB'S BUILDING  
c/o LARRY UNDERWOOD  
3387 DELTA RD  
HUEYTOWN, AL 35023  
County of:

**Route:** Order # 12345 Ship Status:  
**Phase:** Load: Order Type: ABC Building  
**Trailer #** 50582 Add'l Order #s  
**Tracking #**  
**Freight PO#** 41433

**COD AMOUNT: \$0.00**

**FOR FREIGHT COLLECT SHIPMENTS:** Subject to section 7 of conditions of applicable Bill of Lading, if this shipment is to be delivered to the consignee without recourse on the consignee, the consignor shall sign the following statement:  
The carrier shall not make delivery of this shipment without payment of freight and other lawful charges.

# PACKAGES	KIND OF PACKAGES, DESCRIPTION OF ARTICLES, SPECIAL MARKS, AND EXCEPTIONS	WEIGHT	CLASS OR RATE
1	LOT MISC. BUILT UP / STRUCTURAL / COLD FORM / PANEL / TRIM / CANOPY / 2 BUNDLES OF RED & GALV ANGLE	35280	

**Carrier:** Print Name: \_\_\_\_\_ Tractor #: \_\_\_\_\_ **TOTAL WEIGHT (LBS)** 35,280

RECEIVED, subject to the classification and the tariffs in effect on the date of issue of the Bill of Lading, the property described above is in apparent good order, color, except as noted (contents and condition of contents in packages unknown), marked, consigned and delivered as indicated above, which said carrier (the word carrier being understood throughout this contract as meaning any person or corporation in possession of the property under the contract) agrees to carry to its usual place of delivery as said destination, if on its route, otherwise to deliver to another carrier on the route to said destination. It is mutually agreed as to each carrier of all or any part of said property over all or any portion of said route to destination and as to each party at any time interested in all or any said property that every service to be performed hereunder shall be subject to all the terms and conditions of the Uniform Straight Bill of Lading set forth: (1) in the National Motor Freight Classification in effect on the date hereof, if this is a rail or a rail-water shipment or (2) in the applicable motor carrier classification or tariff if this is a motor carrier shipment.

Any alteration, addition, or erasure in the bill of lading shall be made with the special notation hereon of the party issuing this Bill of Lading, shall be without effect in the absence of such notation, and this Bill of Lading shall be enforceable according to its original tenor.

**THIS MATERIAL MUST BE DELIVERED BY:** \_\_\_\_\_

**Receiver Signature:** \_\_\_\_\_ **Date Picked Up:** \_\_\_\_\_ **Time:** \_\_\_\_\_

The property described above is in apparent good order, except as noted (contents and condition in packages unknown), marked, labeled, and is in proper condition for transportation according to the applicable regulations of the Department of Transportation.

**Consignee's Signature:** \_\_\_\_\_ **Date:** \_\_\_\_\_

**BILL OF LADING EXAMPLE**

**TRIM PIECE LABEL**

Piece Mark: FL-31 Job Number: 12345  
Length: 20' 2" Line Number: L-59

**BUILT UP, STRUCTURAL AND FAB. COLD FORM LABEL**

Job Number: 12345  
Piece Mark: RF1-1

**PIECE LABEL EXAMPLES**



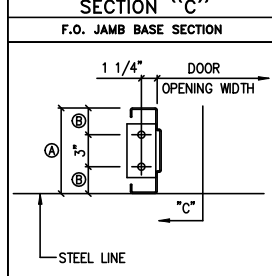
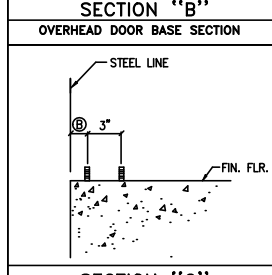
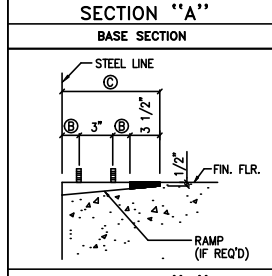
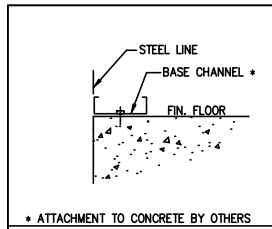
For field issues, contact Customer Service Department at 281-304-6111 or customerservice@sbslp.com

**SCHULTE BUILDING SYSTEMS**  
17600 Battke Road - Hookley, Texas 77447  
PHONE: 281.304.6111 877.257.2534  
FAX: 281.304.6113  
www.SchulteBuildingSystems.com

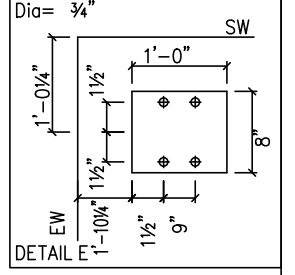
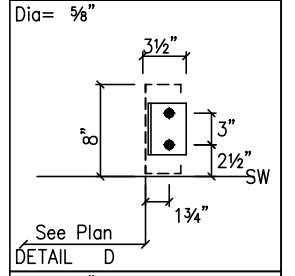
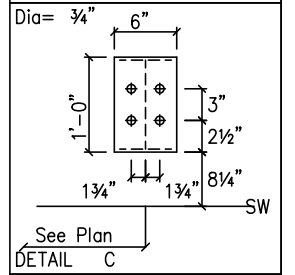
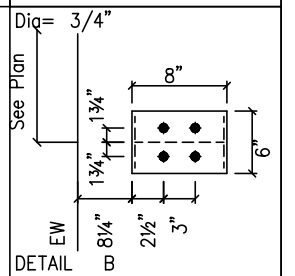
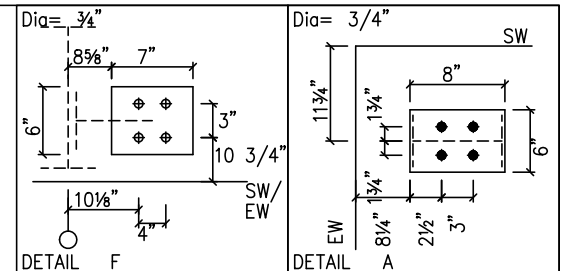
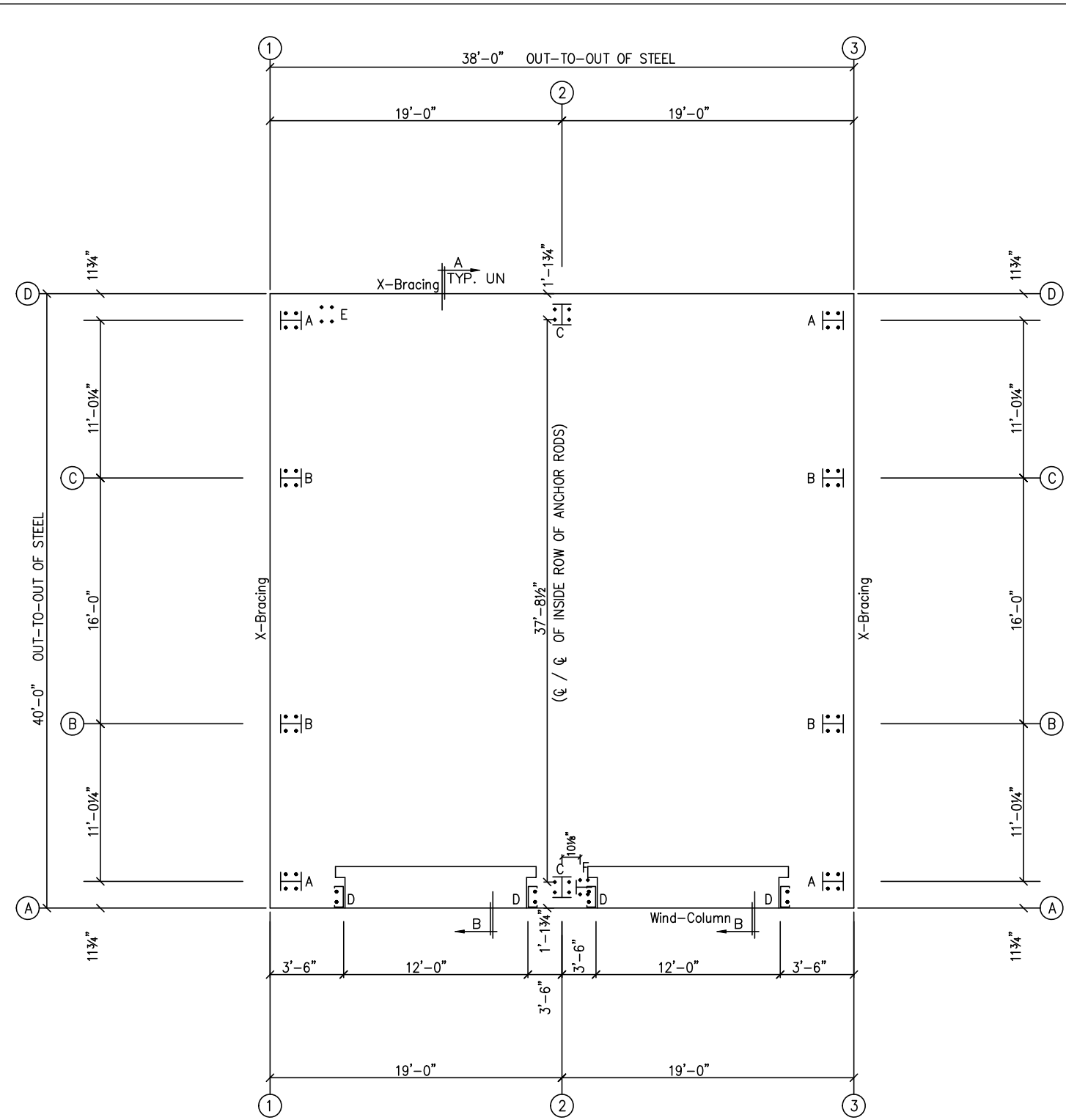
OWNER OR PROJECT	DESCRIPTION NOTES PAGE	SIZE	REFER TO C1
ERIC DELP PROJECT			

CUSTOMER	ADDRESS	P.O. BOX
SANFORD METAL BUILDING, LLC	P.O. BOX 5231	

CAD BY	ENGRD BY	DATE	SCALE	JOB NO.	PH	BLDG. DESC.	SHEET NO.	ISSUE
LL	FR	9/18/20	N.T.S.	163871			C2 of 2	0



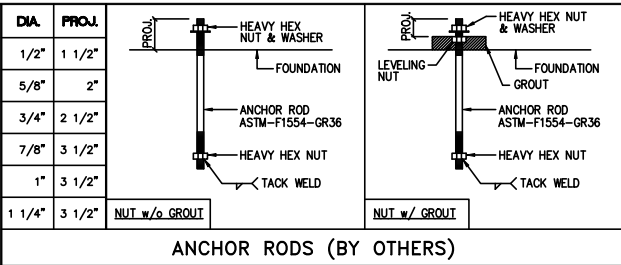
Grid Width	Walk Door Frame	Dim. (A)	Ramp Width (B)
8"	8"	2 1/2"	11 1/2"
10"	10"	3 1/2"	1'-1 1/2"
12"	12"	4 1/2"	1'-3 1/2"



ANCHOR RODS HAVE BEEN DESIGNED FOR SHEAR AND TENSION LOADS ONLY, PER APPENDIX D OF ACI 318-08.

DESIGN OF SHEAR ANGLES, TENSION PLATES, HAIRPINS, AND ANY OTHER EMBEDDED MATERIAL IN THE CONCRETE SHALL BE DETERMINED BY THE FOUNDATION DESIGN ENGINEER AND PROVIDED BY OTHERS.

ANCHOR ROD PROJECTION IS FROM BOTTOM OF BASE PLATE, UNLESS GROUT IS REQUIRED.



FRED F. RADFAR P.E.  
30 WINDERMERE LANE  
HOUSTON, TEXAS 77063  
713-784-9008  
fred@radfarpe.com  
North Carolina License #010295  
Exp. 12/31/2020

DRAWING STATUS	
<input type="checkbox"/>	FOR APPROVAL: THESE DRAWINGS, BEING FOR APPROVAL, ARE BY DEFINITION NOT FINAL, AND ARE FOR CONCEPTUAL REPRESENTATION ONLY. THEIR PURPOSE IS TO CONFIRM PROPER INTERPRETATION OF THE PROJECT DOCUMENTS. ONLY DRAWINGS ISSUED "FOR CONSTRUCTION" CAN BE CONSIDERED AS COMPLETE.
<input type="checkbox"/>	FOR PERMIT: THESE DRAWINGS, BEING FOR PERMIT, ARE BY DEFINITION NOT FINAL IN THAT, AS A MINIMUM, PIECE MARKINGS ARE NOT IDENTIFIED. ONLY DRAWINGS ISSUED "FOR CONSTRUCTION" CAN BE CONSIDERED AS COMPLETE.
<input checked="" type="checkbox"/>	FOR CONSTRUCTION: FINAL DRAWINGS.

REVISIONS			
NO.	DATE	DESCRIPTION	BY
0	9/21/20	PERMIT FOR CONSTRUCTION	LL

**SCHULTE BUILDING SYSTEMS**  
17600 Badtke Road - Hookley, Texas 77447  
PHONE: 281.304.6111 877.257.2534  
FAX: 281.304.6113  
www.SchulteBuildingSystems.com

**SBS**

DESCRIPTION	ANCHOR ROD PLAN	SIZE	REFER TO C1
OWNER OR PROJECT	ERIC DELP PROJECT	CUSTOMER	SANFORD METAL BUILDING, LLC
JOB SITE LOCATION	100 DINO COURT SANFORD, NC 27332	ADDRESS	P.O. BOX 5231 SANFORD, NC 27331
CAD BY	LL	ENGRD BY	FR
DATE	9/18/20	SCALE	N.T.S.
JOB NO.	163871	PH BLDG. DESC.	(none)
SHEET NO.	F1 of 2	ISSUE	0



**RIGID FRAME: BASIC COLUMN REACTIONS (k)**

Frame Line	Column Line	---Dead---		---Collateral---		---Live---		---Snow---		---Wind_Left1---		---Wind_Right1---	
		Horiz	Vert	Horiz	Vert	Horiz	Vert	Horiz	Vert	Horiz	Vert	Horiz	Vert
2	D	0.5	1.4	0.6	1.5	2.3	5.7	1.3	3.3	-5.1	-8.7	0.7	-6.0
2	A	-0.5	1.4	-0.6	1.5	-2.3	5.7	-1.3	3.3	-0.7	-6.0	5.1	-8.7

Frame Line	Column Line	---Wind_Left2---		---Wind_Right2---		---Wind_Long1---		---Wind_Long2---		---Seismic_Left---		Seismic_Right	
		Horiz	Vert	Horiz	Vert	Horiz	Vert	Horiz	Vert	Horiz	Vert	Horiz	Vert
2	D	-5.3	-5.2	0.6	-2.5	0.0	-8.6	-1.0	-7.8	-0.3	-0.1	0.3	0.1
2	A	-0.6	-2.5	5.3	-5.2	1.0	-32.9	0.0	-33.7	-0.3	0.1	0.3	-0.1

Frame Line	Column Line	---Seismic_Long---		F1UNB_SL_L---		F1UNB_SL_R---	
		Horiz	Vert	Horiz	Vert	Horiz	Vert
2	D	0.0	-0.2	1.1	3.2	1.1	2.0
2	A	0.0	-12.2	-1.1	2.0	-1.1	3.2

**ENDWALL COLUMN: BASIC COLUMN REACTIONS (k)**

Frm Line	Col Line	Dead Vert	Collat Vert	Live Vert	Snow Vert	Wind_Left1		Wind_Right1		Wind_Left2		Wind_Right2	
						Horz	Vert	Horz	Vert	Horz	Vert	Horz	Vert
1	D	0.2	0.1	0.8	0.3	0.0	-0.9	0.0	-1.2	0.0	-0.3	0.0	-0.5
1	C	0.6	0.5	3.0	1.1	1.5	-4.7	0.0	-0.6	1.5	-3.9	0.0	0.2
1	B	0.6	0.5	3.0	1.1	0.0	-0.6	1.5	-4.7	0.0	0.2	1.5	-3.9
1	A	0.2	0.1	0.8	0.3	0.0	-1.2	0.0	-0.9	0.0	-0.5	0.0	-0.3

Frm Line	Col Line	Wind_Press		Wind_Suct		Wind_Long1		Wind_Long2		Seis_Left		Seis_Right		Seis_Long	
		Horz	Vert	Horz	Vert	Horz	Vert	Horz	Vert	Horz	Vert	Horz	Vert	Horz	Vert
1	D	-3.0	-1.3	0.8	1.3	0.0	-1.2	0.0	-0.7	0.0	0.0	0.0	0.0	-0.4	-0.2
1	C	-1.9	0.0	2.1	0.0	0.0	-2.5	0.6	-2.6	0.3	-0.3	0.0	0.2	0.0	0.0
1	B	-1.9	0.0	2.1	0.0	0.6	-2.6	0.0	-2.5	0.0	0.2	0.3	-0.3	0.0	0.0
1	A	-0.7	0.0	0.8	0.0	0.0	-0.7	0.0	-1.2	0.0	0.0	0.0	0.0	0.0	0.0

Frm Line	Col Line	E1UNB_SL_L---		E1UNB_SL_R---	
		Horz	Vert	Horz	Vert
1	D	0.0	0.3	0.0	0.0
1	C	0.0	1.2	0.0	0.6
1	B	0.0	0.6	0.0	1.2
1	A	0.0	0.0	0.0	0.3

Frm Line	Col Line	Dead Vert	Collat Vert	Live Vert	Snow Vert	Wind_Left1		Wind_Right1		Wind_Left2		Wind_Right2		Wind Press Horz
						Horz	Vert	Horz	Vert	Horz	Vert	Horz	Vert	
3	A	0.2	0.1	0.8	0.3	0.0	-0.9	0.0	-1.2	0.0	-0.3	0.0	-0.5	-0.7
3	B	0.6	0.5	3.0	1.1	1.5	-4.7	0.0	-0.6	1.5	-3.9	0.0	0.2	-1.9
3	C	0.6	0.5	3.0	1.1	0.0	-0.6	1.5	-4.7	0.0	0.2	1.5	-3.9	-1.9
3	D	0.2	0.1	0.8	0.3	0.0	-1.2	0.0	-0.9	0.0	-0.5	0.0	-0.3	-0.7

Frm Line	Col Line	Wind Suct Horz	Wind_Long1		Wind_Long2		Seis_Left		Seis_Right		E2UNB_SL_L---		E2UNB_SL_R---	
			Horz	Vert	Horz	Vert	Horz	Vert	Horz	Vert	Horz	Vert	Horz	Vert
3	A	0.8	0.0	-1.2	0.0	-0.7	0.0	0.0	0.0	0.0	0.3	0.0	0.0	
3	B	2.1	0.0	-2.5	0.6	-2.6	0.3	-0.3	0.0	0.2	0.0	1.2	0.0	
3	C	2.1	0.6	-2.6	0.0	-2.5	0.0	0.2	0.3	-0.3	0.0	0.6	1.2	
3	D	0.8	0.0	-0.7	0.0	-1.2	0.0	0.0	0.0	0.0	0.0	0.0	0.3	

**ENDWALL COLUMN: MAXIMUM REACTIONS, ANCHOR RODS, & BASE PLATES**

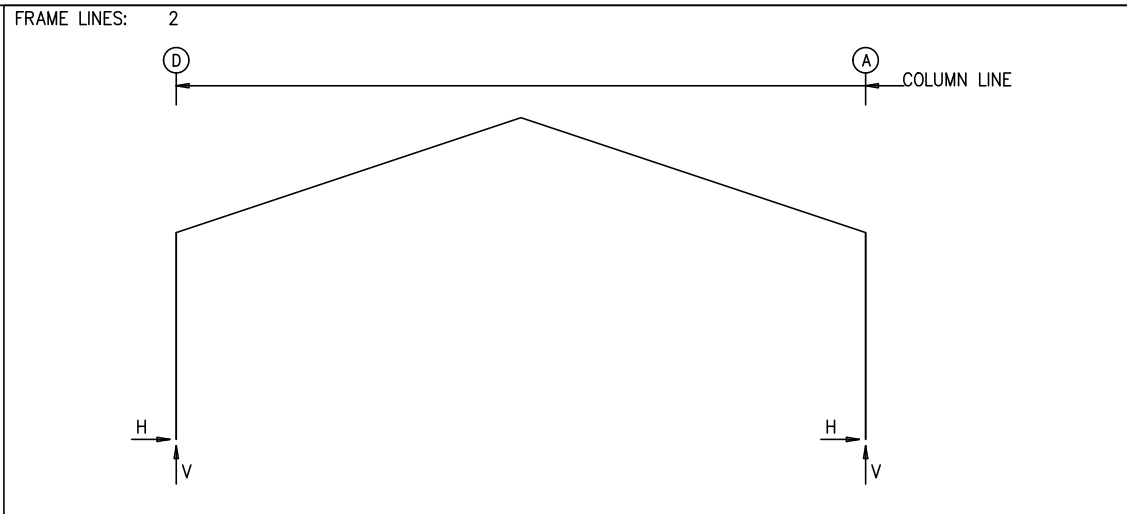
Frm Line	Col Line	Column_Reactions(k)						Bolt(in)		Base_Plate(in)			Grout (in)
		Load Id	Hmax H	V Vmax	Load Id	Hmin H	V Vmin	Qty	Dia	Width	Length	Thick	
1	D	7	0.5	0.2	8	-1.8	-1.3	4	0.75	6.000	8.000	0.375	0.0
		9	0.3	1.5									
1	C	10	1.3	-2.5	11	-1.2	-1.2	4	0.75	6.000	8.000	0.375	0.0
		1	0.0	4.1	10	1.3	-2.5						
1	B	12	1.3	-2.5	8	-1.2	-1.2	4	0.75	6.000	8.000	0.375	0.0
		1	0.0	4.1	12	1.3	-2.5						
1	A	13	0.5	-0.6	11	-0.4	-0.6	4	0.75	6.000	8.000	0.375	0.0
		1	0.0	1.2	10	0.5	-0.6						
3	A	7	0.5	-0.6	8	-0.4	-0.6	4	0.75	6.000	8.000	0.375	0.0
		1	0.0	1.2	12	0.5	-0.6						
3	B	10	1.3	-2.5	11	-1.2	-1.2	4	0.75	6.000	8.000	0.375	0.0
		1	0.0	4.1	10	1.3	-2.5						
3	C	12	1.3	-2.5	8	-1.2	-1.2	4	0.75	6.000	8.000	0.375	0.0
		1	0.0	4.1	12	1.3	-2.5						
3	D	13	0.5	-0.6	11	-0.4	-0.6	4	0.75	6.000	8.000	0.375	0.0
		1	0.0	1.2	10	0.5	-0.6						

**NOTES FOR REACTIONS**

Building reactions are based on the following building data:

- Width (ft) = 40.0
- Length (ft) = 38.0
- Eave Height (ft) = 12.0 / 12.0
- Roof Slope (rise/12) = 4.0 / 4.0
- Dead Load (psf) = 2.0
- Collateral Load (psf) = 3.0
- Roof Live Load (psf) = 20.0
- Frame Live Load (psf) = 12.0
- Snow Load (psf) = 7.0
- Wind Speed (mph) = 116.0
- Wind Code = IBC 15 (NCBC 18)
- Exposure = B
- Closed/Open = C
- Importance Wind = N/A
- Importance Seismic = 1.00
- Seismic Zone = C
- Seismic Coeff (Fa+Ss) = 0.32

ID	Description
1	Dead+Collateral+Live
2	Dead+Collateral+0.75Live+0.45Wind_Long1R
3	0.6Dead+0.6Wind_Left1
4	0.6Dead+0.6Wind_Left2
5	0.6Dead+0.6Wind_Right2
6	0.6Dead+0.6Wind_Long2L
7	0.6Dead+0.6Wind_Suction+0.6Wind_Long1L
8	0.6Dead+0.6Wind_Pressure+0.6Wind_Long1L
9	Dead+Collateral+0.75Live+0.45Wind_Left2+0.45Wind_Suction
10	0.6Dead+0.6Wind_Left1+0.6Wind_Suction
11	0.6Dead+0.6Wind_Pressure+0.6Wind_Long2L
12	0.6Dead+0.6Wind_Right1+0.6Wind_Suction
13	0.6Dead+0.6Wind_Suction+0.6Wind_Long2L



**RIGID FRAME: MAXIMUM REACTIONS, ANCHOR RODS, & BASE PLATES**

Frm Line	Col Line	Column_Reactions(k)						Bolt(in)		Base_Plate(in)			Grout (in)
		Load Id	Hmax H	V Vmax	Load Id	Hmin H	V Vmin	Qty	Dia	Width	Length	Thick	
2	D	1	3.4	8.6	4	-2.9	-2.2	4	0.750	6.000	12.00	0.500	0.0
					3	-2.8	-4.4						
2	A	5	2.9	-2.2	1	-3.4	8.6	4	0.750	6.000	12.00	0.500	0.0
		2	-2.4	16.2	6	-0.3	-19.4						

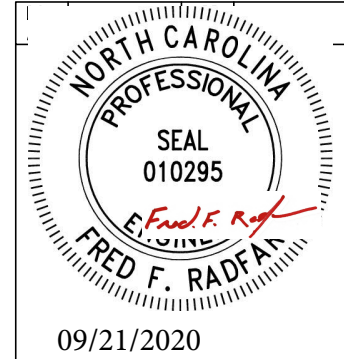
**BUILDING BRACING REACTIONS**

Wall Loc	Col Line	± Reactions(k)				Panel_Shear (lb/ft)		Note
		Wind Horz	Wind Vert	Seismic Horz	Seismic Vert	Wind	Seis	
L_EW	1	C,B	1.5	1.3	0.3	0.2		
F_SW	A	2						(g)
R_EW	3	B,C	1.5	1.3	0.3	0.2		
B_SW	D	2,1	2.3	1.3	0.4	0.2		

(g) Wind column at column line

**WIND COLUMN REACTIONS**

Wall Loc	Col Line	R/L	Load_ID	± Reactions (k)			Moment (f-k)	Anc_Bolt		Base_Plate(in)		
				Horz (k)	Vert (k)			Qty	Dia	Width	Length	Thick
F_SW	A	2	R	Wind	2.3	26.4	26.4	4	0.750	6.000	7.000	0.500
				Seismic	1.1	12.2	12.2					



**FRED F. RADFAR P.E.**  
 30 WINDERMERE LANE  
 HOUSTON, TEXAS 77063  
 713-784-9008  
 fred@radfarpe.com  
 North Carolina License #010295  
 Exp. 12/31/2020

**DRAWING STATUS**

FOR APPROVAL: THESE DRAWINGS, BEING FOR APPROVAL, ARE BY DEFINITION NOT FINAL, AND ARE FOR CONCEPTUAL REPRESENTATION ONLY. THEIR PURPOSE IS TO CONFIRM PROPER INTERPRETATION OF THE PROJECT DOCUMENTS. ONLY DRAWINGS ISSUED "FOR CONSTRUCTION" CAN BE CONSIDERED AS COMPLETE.

FOR PERMIT: THESE DRAWINGS, BEING FOR PERMIT, ARE BY DEFINITION NOT FINAL IN THAT, AS A MINIMUM, PIECE MARKINGS ARE NOT IDENTIFIED. ONLY DRAWINGS ISSUED "FOR CONSTRUCTION" CAN BE CONSIDERED AS COMPLETE.

FOR CONSTRUCTION: FINAL DRAWINGS.

**REVISIONS**

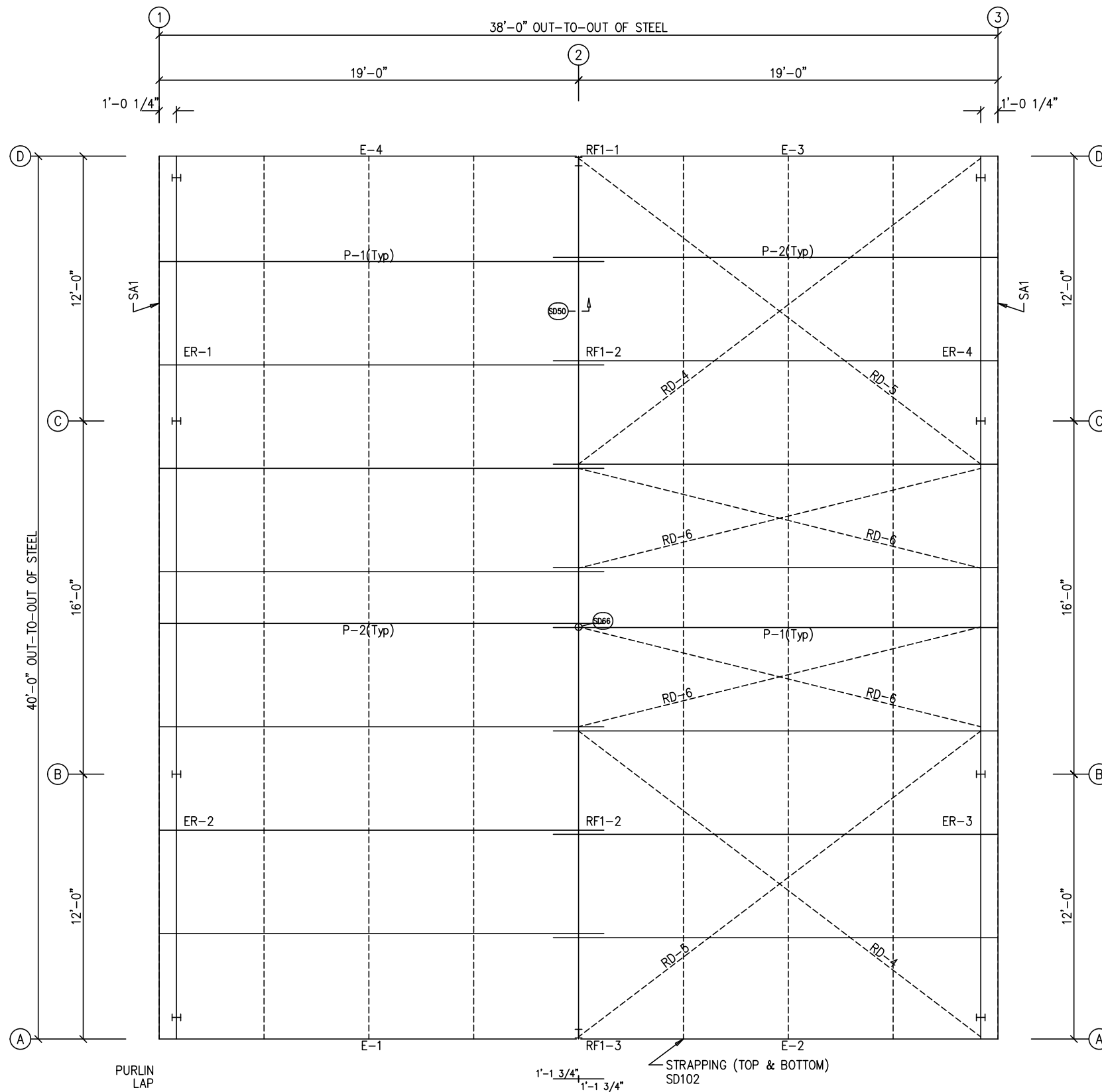
NO.	DATE	DESCRIPTION	BY	CK'D
0	9/21/20	PERMIT FOR CONSTRUCTION	LL	LL

**SCHULTE BUILDING SYSTEMS**  
 17600 Badtke Road - Hookley, Texas 77447  
 PHONE: 281.304.6111 877.257.2534  
 FAX: 281.304.6113  
 www.SchulteBuildingSystems.com

**SBS**  
 SCHULTE BUILDING SYSTEMS

OWNER OR PROJECT	DESCRIPTION	SIZE	REFER TO C1
ERIC DELP PROJECT	CUSTOMER	SANFORD METAL BUILDING, LLC	
JOB SITE LOCATION	100 DINO COURT	ADDRESS	P.O. BOX 5231
	SANFORD, NC 27332		SANFORD, NC 27331
CAD BY	ENGRD BY	DATE	SCALE
LL	FR	9/18/20	N.T.S.
JOB NO.	PH	BLDG. DESC.	SHEET NO.
163871			F2 of 2
ISSUE			0

MEMBER TABLE	
ROOF PLAN	
MARK	PART
P-1	8X25Z16
P-2	8X25Z16
E-1	8.50E14
E-2	8.50E14
E-3	8.50E14
E-4	8.50E14
RD-4	RD0500
RD-5	RD0500
RD-6	RD0500



ROOF FRAMING PLAN



MISCELLANEOUS ACCESSORIES		GLASS DOORS		FRAMED OPENINGS		VENTILATORS	
MK.	NO.	DESCRIPTION	MK.	NO.	DESCRIPTION	MK.	NO.
	0	N/A		1	3070M/PA/LHO/HL/WHITE		0
				2	12'-0"x10'-0" FOR O.H. DOOR (By Others)		
SKYLIGHTS		WINDOWS					
	0	N/A		0	N/A		

FRED F. RADFAR P.E.  
 30 WINDERMERE LANE  
 HOUSTON, TEXAS 77063  
 713-784-9008  
 fred@radfarpe.com  
 North Carolina License #010295  
 Exp. 12/31/2020

DRAWING STATUS	
<input type="checkbox"/>	FOR APPROVAL: THESE DRAWINGS, BEING FOR APPROVAL, ARE BY DEFINITION NOT FINAL, AND ARE FOR CONCEPTUAL REPRESENTATION ONLY. THEIR PURPOSE IS TO CONFIRM PROPER INTERPRETATION OF THE PROJECT DOCUMENTS. ONLY DRAWINGS ISSUED "FOR CONSTRUCTION" CAN BE CONSIDERED AS COMPLETE.
<input type="checkbox"/>	FOR PERMIT: THESE DRAWINGS, BEING FOR PERMIT, ARE BY DEFINITION NOT FINAL IN THAT, AS A MINIMUM, PIECE MARKINGS ARE NOT IDENTIFIED. ONLY DRAWINGS ISSUED "FOR CONSTRUCTION" CAN BE CONSIDERED AS COMPLETE.
<input checked="" type="checkbox"/>	FOR CONSTRUCTION: FINAL DRAWINGS.

REVISIONS			
NO.	DATE	DESCRIPTION	BY
0	9/21/20	PERMIT FOR CONSTRUCTION	LL

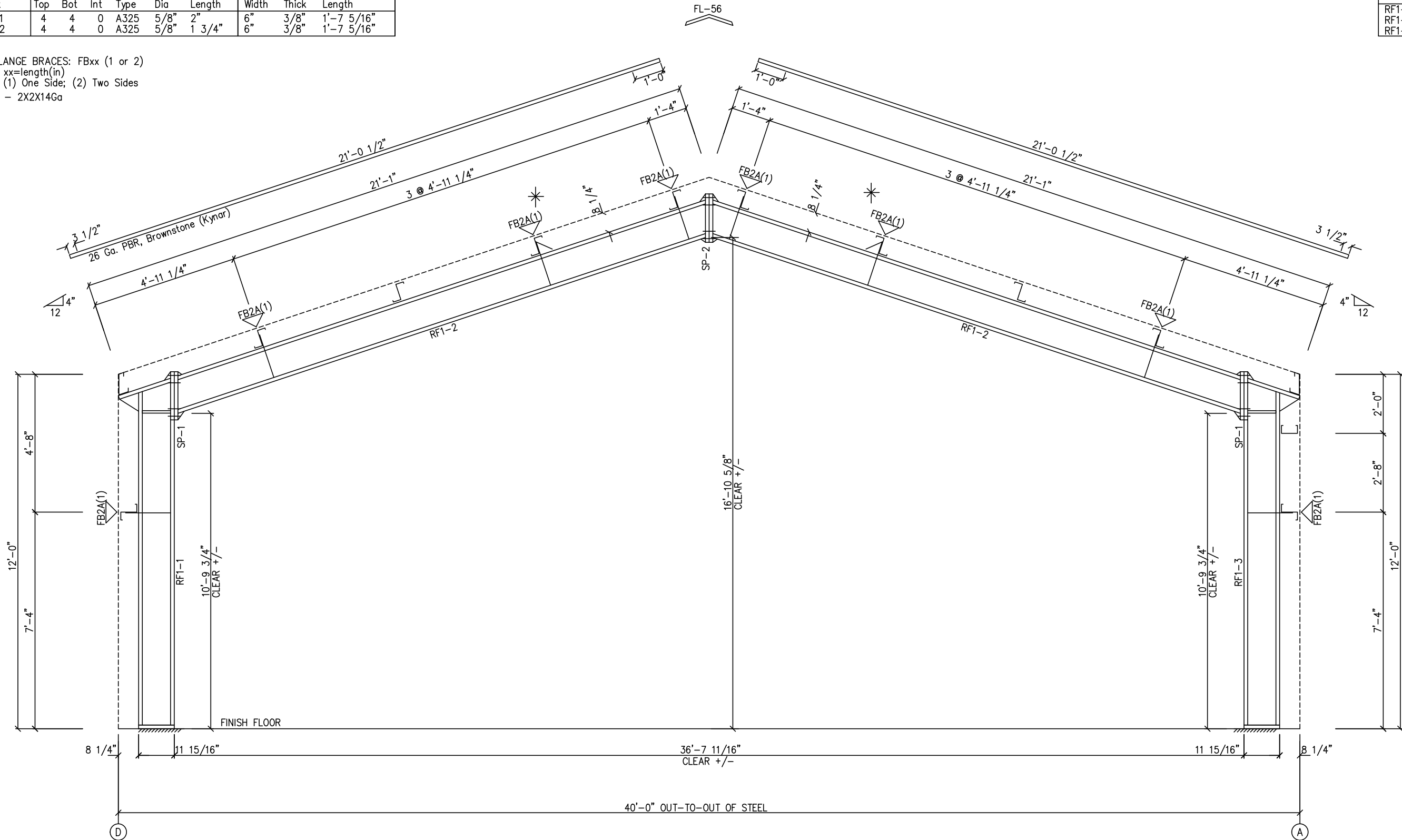
SCHULTE BUILDING SYSTEMS		SCHULTE BUILDING SYSTEMS	
17600 Badtke Road - Hockley, Texas 77447 PHONE: 281.304.6111 877.257.2534 FAX: 281.304.6113 www.SchulteBuildingSystems.com		SIZE REFER TO C1	
OWNER OR PROJECT	ERIC DELP PROJECT	CUSTOMER	SANFORD METAL BUILDING, LLC
JOB SITE LOCATION	100 DINO COURT SANFORD, NC 27332	ADDRESS	P.O. BOX 5231 SANFORD, NC 27331
CAD BY	ENGRD BY	DATE	SCALE
LL	FR	9/18/20	N.T.S.
JOB NO.	PH	BLDG. DESC.	SHEET NO.
163871			E1 of 6
ISSUE			0

SPLICE PLATE & BOLT TABLE									
Mark	Qty Top	Qty Bot	Int	Type	Dia	Length	Width	Thick	Length
SP-1	4	4	0	A325	5/8"	2"	6"	3/8"	1'-7 5/16"
SP-2	4	4	0	A325	5/8"	1 3/4"	6"	3/8"	1'-7 5/16"

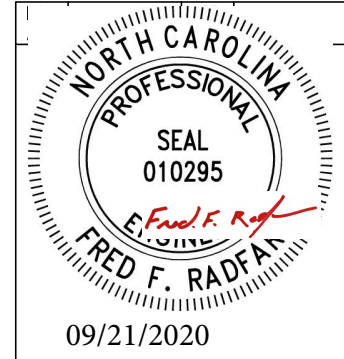
MEMBER SIZE TABLE		
MARK	MEMBER	LENGTH
RF1-1	W12X14	11'-6 1/16"
RF1-2	W12X14	19'-3 5/16"
RF1-3	W12X14	11'-6 1/16"

FLANGE BRACES: FBxx (1 or 2)  
 xx=length(in)  
 (1) One Side; (2) Two Sides  
 A - 2X2X14Ga

\* ANTI-ROLL CLIP  
 RE: SD115



MAIN FRAME ELEVATION: FRAME LINE 2



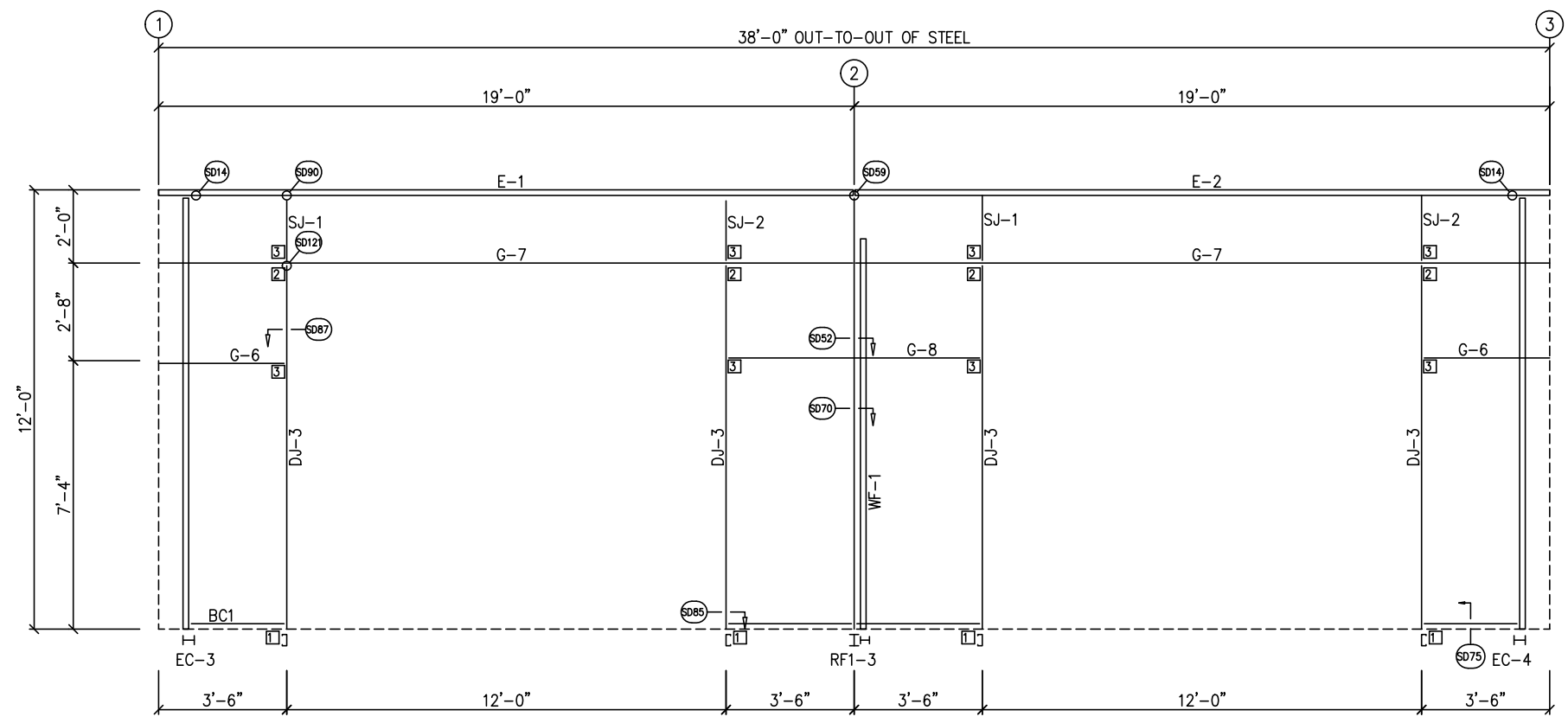
GENERAL NOTES:  
 SEE ROOF FRAMING PLAN AND SIDEWALL ELEVATIONS FOR MAIN FRAME PIECE MARKS.

FRED F. RADFAR P.E.  
 30 WINDERMERE LANE  
 HOUSTON, TEXAS 77063  
 713-784-9008  
 fred@radfarpe.com  
 North Carolina License #010295  
 Exp. 12/31/2020

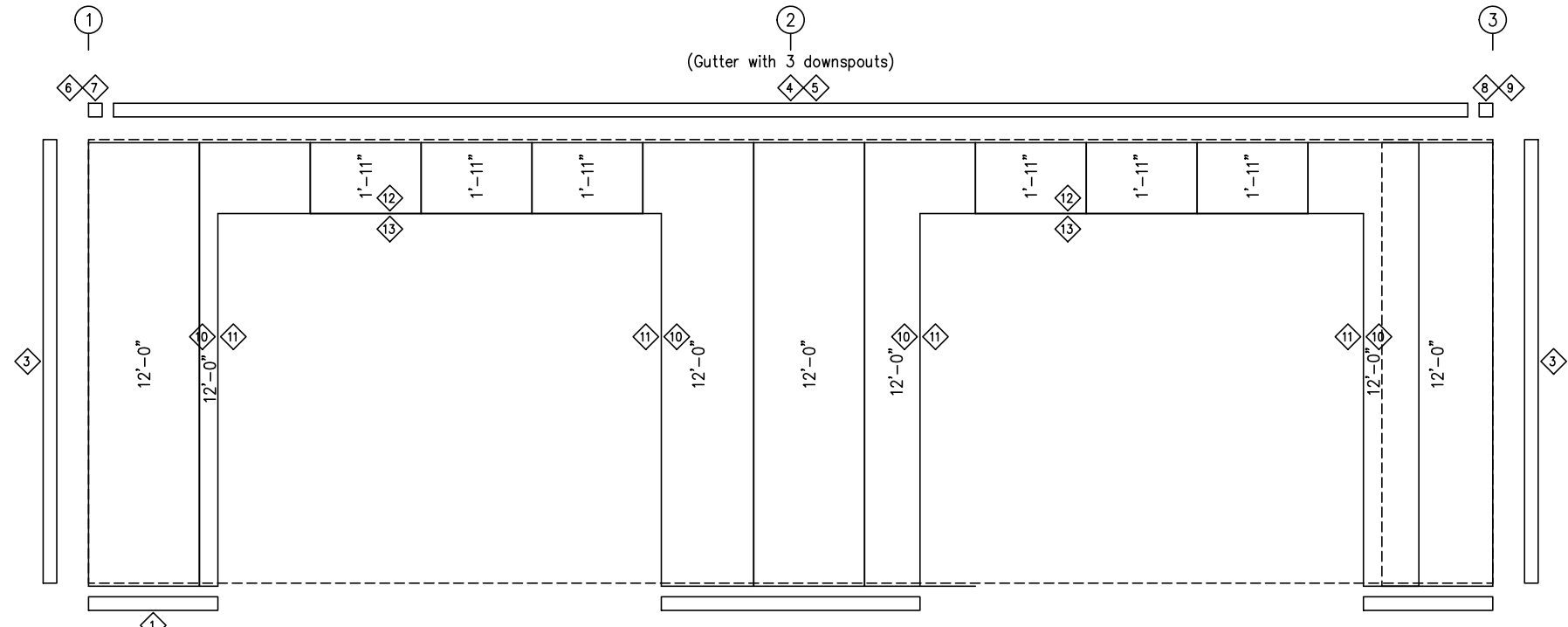
DRAWING STATUS	
<input type="checkbox"/>	FOR APPROVAL: THESE DRAWINGS, BEING FOR APPROVAL, ARE BY DEFINITION NOT FINAL, AND ARE FOR CONCEPTUAL REPRESENTATION ONLY. THEIR PURPOSE IS TO CONFIRM PROPER INTERPRETATION OF THE PROJECT DOCUMENTS. ONLY DRAWINGS ISSUED "FOR CONSTRUCTION" CAN BE CONSIDERED AS COMPLETE.
<input type="checkbox"/>	FOR PERMIT: THESE DRAWINGS, BEING FOR PERMIT, ARE BY DEFINITION NOT FINAL IN THAT, AS A MINIMUM, PIECE MARKINGS ARE NOT IDENTIFIED. ONLY DRAWINGS ISSUED "FOR CONSTRUCTION" CAN BE CONSIDERED AS COMPLETE.
<input checked="" type="checkbox"/>	FOR CONSTRUCTION: FINAL DRAWINGS.

REVISIONS			
NO.	DATE	DESCRIPTION	BY CK'D
0	9/21/20	PERMIT FOR CONSTRUCTION	LL LL

<b>SBS</b> SCHULTE BUILDING SYSTEMS		<b>SCHULTE BUILDING SYSTEMS</b> 17600 Badtke Road - Hockley, Texas 77447 PHONE: 281.304.6111 877.257.2534 FAX: 281.304.6113 www.SchulteBuildingSystems.com	
OWNER OR PROJECT	ERIC DELP PROJECT	CUSTOMER	SANFORD METAL BUILDING, LLC
JOB SITE LOCATION	100 DINO COURT SANFORD, NC 27332	ADDRESS	P.O. BOX 5231 SANFORD, NC 27331
CAD BY	ENGRD BY	DATE	SCALE
LL	FR	9/18/20	N.T.S.
JOB NO.	PH	BLDG. DESC.	SHEET NO.
163871			E2 of 6
ISSUE			0



SIDEWALL FRAMING: FRAME LINE A



SIDEWALL SHEETING & TRIM: FRAME LINE A

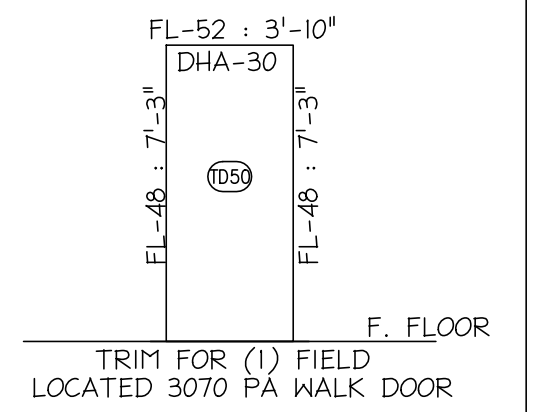
PANELS: 26 Ga. PBR - Rustic Red

TRIM TABLE				
FRAME LINE A				
ID	QUAN	PART	LENGTH	DETAIL
1	1	FL-59	20'-2"	SD75
3	1	FL-110	12'-0"	TD040
4	1	FL-32	18'-0"	TD15
5	2	FL-31	19'-1"	
6	1	FL-32L	11'-2"	
7	1	FL-33L	8"	TD085
8	1	FL-32R	11'-2"	TD095
9	1	FL-33R	8"	
10	1	FL-55	10'-2"	
11	1	FL-48	10'-3"	TD051
12	1	FL-55	12'-4"	
13	1	FL-52	12'-4"	TD052

BOLT TABLE				
FRAME LINE A				
LOCATION	QUAN	TYPE	DIA	LENGTH
WF-1 - RF1-3	6	A325	5/8"	1 1/2"

MEMBER TABLE	
FRAME LINE A	
MARK	PART
WF-1	W12X16
DJ-3	8X35C16
E-1	8.50E14
E-2	8.50E14
G-6	8X25Z16
G-7	8X25C16
G-8	8X25Z16
SJ-1	8X35C16
SJ-2	8X35C16

CONNECTION PLATES	
FRAME LINE A	
ID	MARK/PART
1	CL-104
2	CL-100
3	CL-103



**GENERAL NOTES:**  
 TRIM IS FIGURED WITH 2" TRIM LAP UNLESS NOTED ON A DETAIL.  
 FIELD CUT PANELS AT FRAMED OPENINGS, WALKDOORS, AND WINDOWS.  
 FORMED BASE TRIM (IF USED) TO BE FIELD MITERED AT CORNERS.  
 FIELD SLOT GIRTS AS REQUIRED FOR CABLE BRACE CLEARANCE.

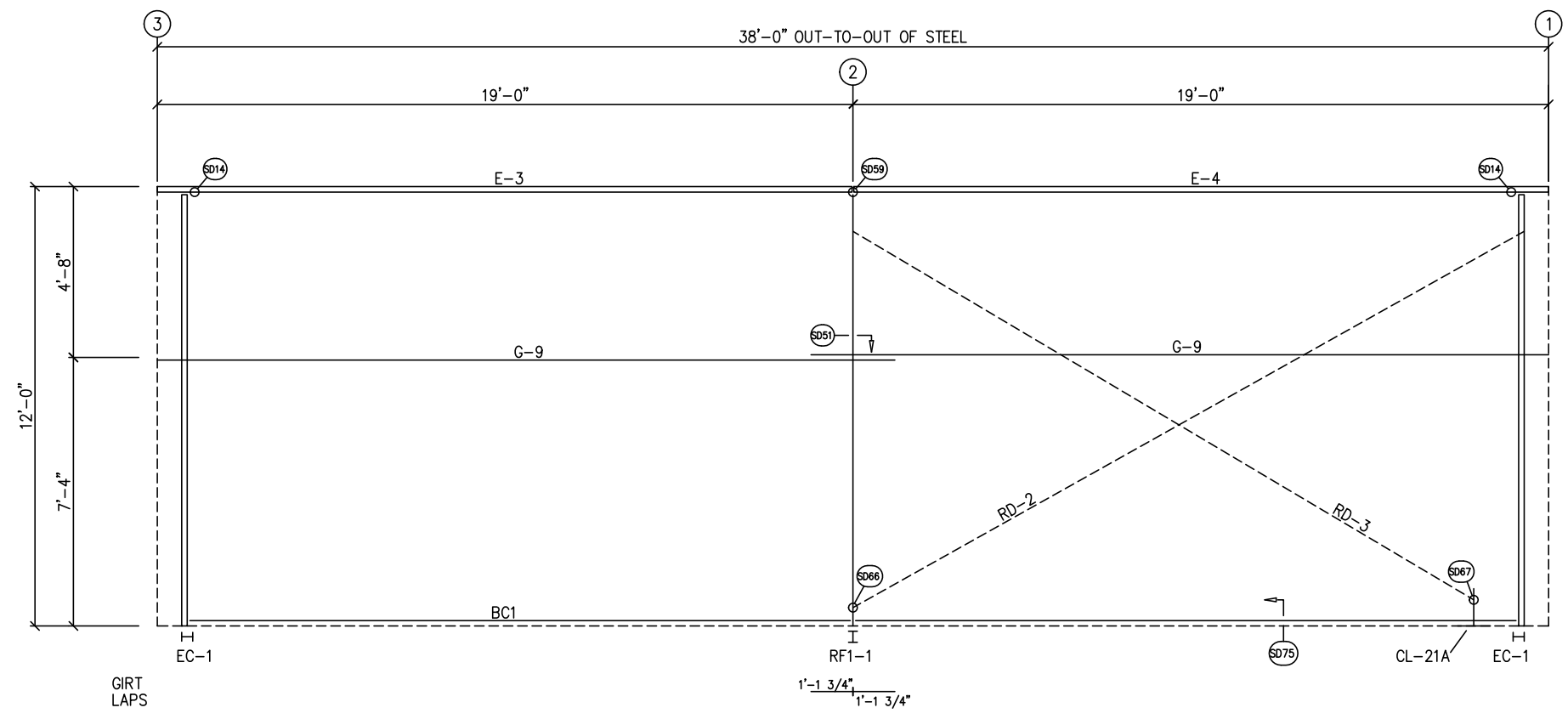
FRED F. RADFAR P.E.  
 30 WINDERMERE LANE  
 HOUSTON, TEXAS 77063  
 713-784-9008  
 fred@radfarpe.com  
 North Carolina License #010295  
 Exp. 12/31/2020

DRAWING STATUS	
<input type="checkbox"/>	FOR APPROVAL: THESE DRAWINGS, BEING FOR APPROVAL, ARE BY DEFINITION NOT FINAL. AND ARE FOR CONCEPTUAL REPRESENTATION ONLY. THEIR PURPOSE IS TO CONFIRM PROPER INTERPRETATION OF THE PROJECT DOCUMENTS. ONLY DRAWINGS ISSUED "FOR CONSTRUCTION" CAN BE CONSIDERED AS COMPLETE.
<input type="checkbox"/>	FOR PERMIT: THESE DRAWINGS, BEING FOR PERMIT, ARE BY DEFINITION NOT FINAL IN THAT, AS A MINIMUM, PIECE MARKINGS ARE NOT IDENTIFIED. ONLY DRAWINGS ISSUED "FOR CONSTRUCTION" CAN BE CONSIDERED AS COMPLETE.
<input checked="" type="checkbox"/>	FOR CONSTRUCTION: FINAL DRAWINGS.

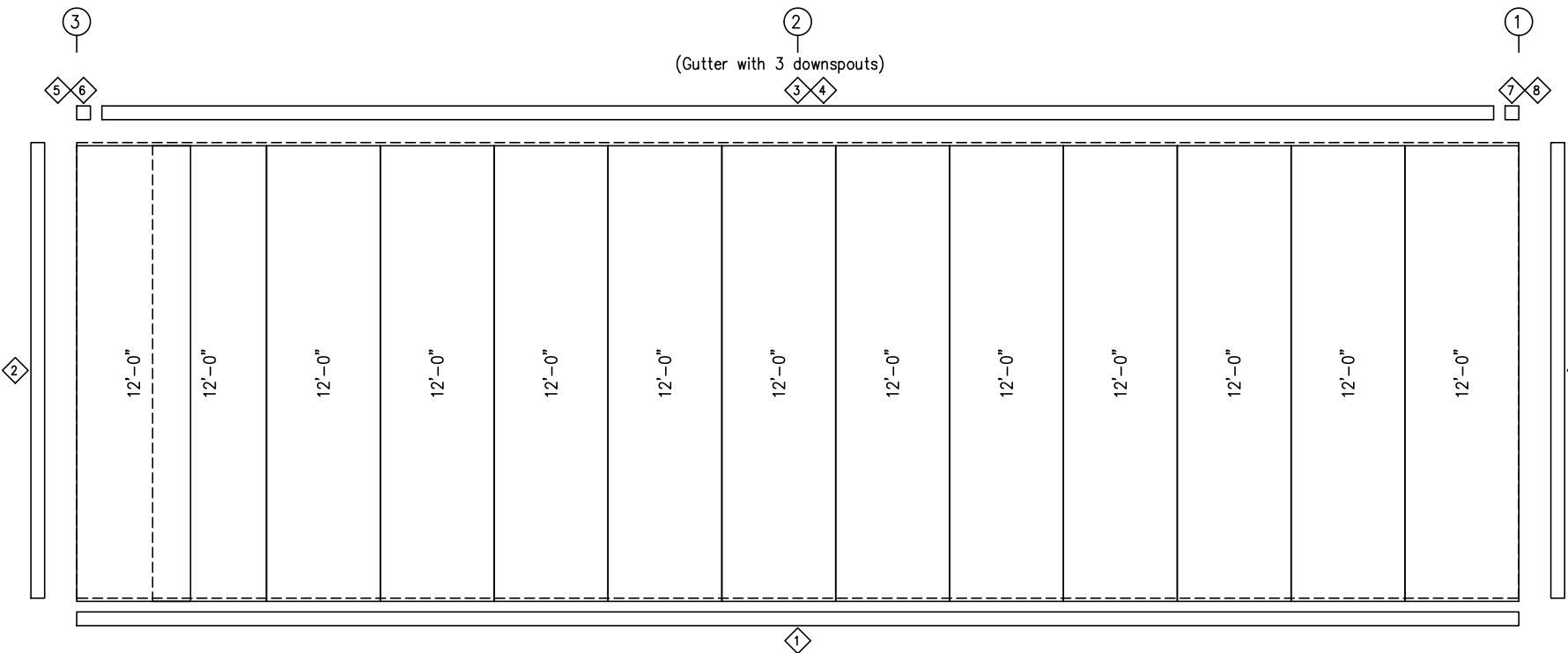
REVISIONS			
NO.	DATE	DESCRIPTION	BY
0	9/21/20	PERMIT FOR CONSTRUCTION	LL

**SCHULTE BUILDING SYSTEMS**  
 17600 Badtke Road - Hookley, Texas 77447  
 PHONE: 281.304.6111 877.257.2534  
 FAX: 281.304.6113  
 www.SchulteBuildingSystems.com

OWNER OR PROJECT	ERIC DELP PROJECT	CUSTOMER	SANFORD METAL BUILDING, LLC
JOB SITE LOCATION	100 DINO COURT SANFORD, NC 27332	ADDRESS	P.O. BOX 5231 SANFORD, NC 27331
CAD BY	ENGRD BY	DATE	SCALE
LL	FR	9/18/20	N.T.S.
JOB NO.	PH	BLDG. DESC.	SHEET NO.
163871			E3 of 6
ISSUE			0



SIDEWALL FRAMING: FRAME LINE D



SIDEWALL SHEETING & TRIM: FRAME LINE D

PANELS: 26 Ga. PBR - Rustic Red

TRIM TABLE				
FRAME LINE D				
ID	QUAN	PART	LENGTH	DETAIL
1	2	FL-59	20'-2"	SD75
2	1	FL-110	12'-0"	TD040
3	1	FL-32	18'-0"	TD15
4	2	FL-31	19'-1"	
5	1	FL-32L	11'-2"	
6	1	FL-33L	8"	TD085
7	1	FL-32R	11'-2"	TD095
8	1	FL-33R	8"	

MEMBER TABLE	
FRAME LINE D	
MARK	PART
E-3	8.50E14
E-4	8.50E14
G-9	8X25Z16
RD-2	RD0500
RD-3	RD0500



FRED F. RADFAR P.E.  
 30 WINDERMERE LANE  
 HOUSTON, TEXAS 77063  
 713-784-9008  
 fred@radfarpe.com  
 North Carolina License #010295  
 Exp. 12/31/2020

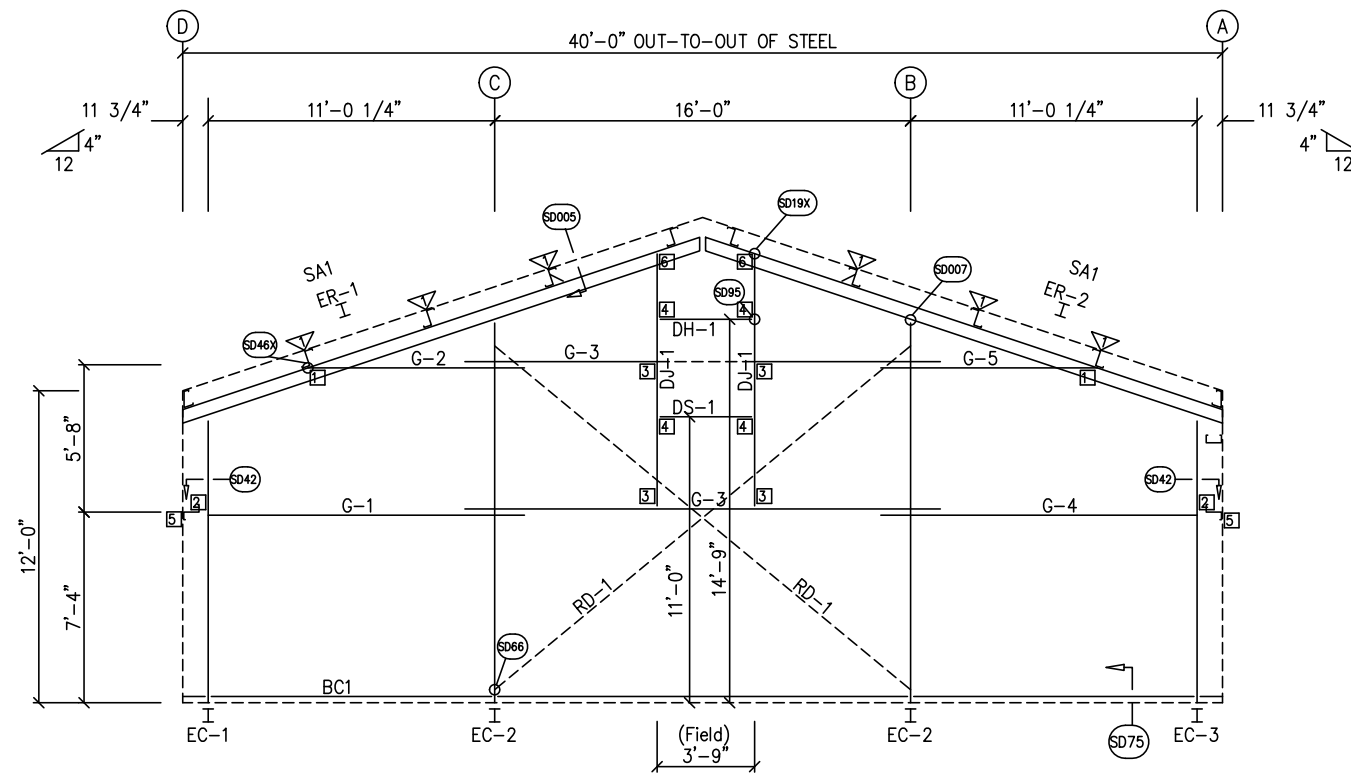
DRAWING STATUS	
<input type="checkbox"/>	FOR APPROVAL: THESE DRAWINGS, BEING FOR APPROVAL, ARE BY DEFINITION NOT FINAL, AND ARE FOR CONCEPTUAL REPRESENTATION ONLY. THEIR PURPOSE IS TO CONFIRM PROPER INTERPRETATION OF THE PROJECT DOCUMENTS. ONLY DRAWINGS ISSUED "FOR CONSTRUCTION" CAN BE CONSIDERED AS COMPLETE.
<input type="checkbox"/>	FOR PERMIT: THESE DRAWINGS, BEING FOR PERMIT, ARE BY DEFINITION NOT FINAL IN THAT, AS A MINIMUM, PIECE MARKINGS ARE NOT IDENTIFIED. ONLY DRAWINGS ISSUED "FOR CONSTRUCTION" CAN BE CONSIDERED AS COMPLETE.
<input checked="" type="checkbox"/>	FOR CONSTRUCTION: FINAL DRAWINGS.

REVISIONS			
NO.	DATE	DESCRIPTION	BY
0	9/21/20	PERMIT FOR CONSTRUCTION	LL

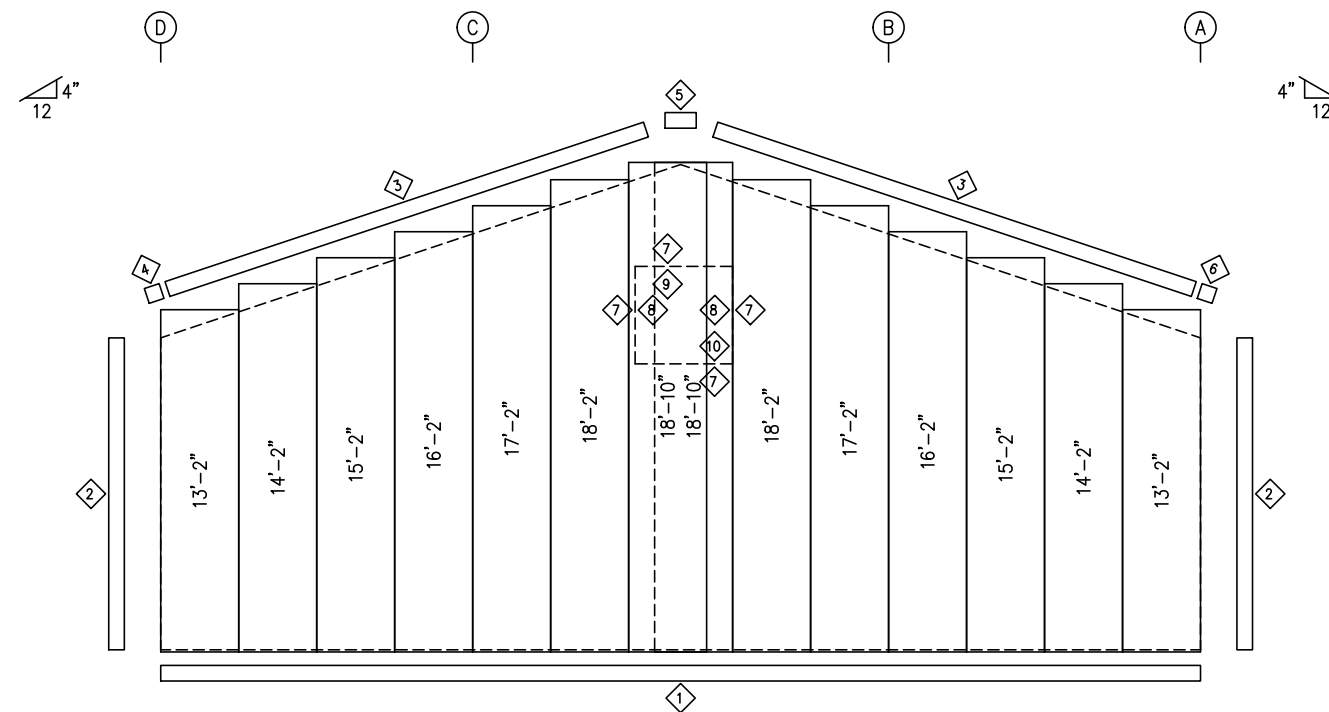
SCHULTE BUILDING SYSTEMS	
17600 Badtke Road - Hockley, Texas 77447	PHONE: 281.304.6111 877.257.2534
	FAX: 281.304.6113
www.SchulteBuildingSystems.com	
OWNER OR PROJECT	ERIC DELP PROJECT
CUSTOMER	SANFORD METAL BUILDING, LLC
JOB SITE LOCATION	100 DINO COURT SANFORD, NC 27332
ADDRESS	P.O. BOX 5231 SANFORD, NC 27331
CAD BY	ENGRD BY
LL	FR
DATE	9/18/20
SCALE	N.T.S.
JOB NO.	163871
PH	BLDG. DESC.
	(none)
SHEET NO.	E4 of 6
ISSUE	0

GENERAL NOTES:  
 TRIM IS FIGURED WITH 2" TRIM LAP UNLESS NOTED ON A DETAIL.  
 FIELD CUT PANELS AT FRAMED OPENINGS, WALKDOORS, AND WINDOWS.  
 FORMED BASE TRIM (IF USED) TO BE FIELD MITERED AT CORNERS.  
 FIELD SLOT GIRTS AS REQUIRED FOR CABLE BRACE CLEARANCE.





GIRT LAPS  
 1'-1 3/4" 1'-1 3/4" 1'-1 3/4" 1'-1 3/4"  
 ENDWALL FRAMING: FRAME LINE 1



ENDWALL SHEETING & TRIM: FRAME LINE 1  
 PANELS: 26 Ga. PBR - Rustic Red

TRIM TABLE				
FRAME LINE 1				
ID	QUAN	PART	LENGTH	DETAIL
1	2	FL-59	20'-2"	SD75
2	1	FL-110	12'-0"	TD040
3	1	FL-21	11'-1"	TD035
4	1	FL-21L	11'-2"	TD013
5	1	FL-23	1'-4"	
6	1	FL-21R	11'-2"	TD085
7	1	FL-55	4'-1"	
8	1	FL-48	4'-0"	TD051
9	1	FL-52	4'-1"	TD052
10	1	FL-53	4'-1"	

BOLT TABLE				
FRAME LINE 1				
LOCATION	QUAN	TYPE	DIA	LENGTH
ER-1/ER-2	8	A325	5/8"	1 3/4"
Columns/Raf Jamb	2	A325	5/8"	1 1/4"
	2	A307	1/2"	1"

FLANGE BRACE TABLE		
FRAME LINE 1		
ID	MARK	LENGTH
1	FB1A	2'-10"

CONNECTION PLATES		
FRAME LINE 1		
ID	MARK/PART	
1	SCL-2	
2	CL-64	
3	CL-103	
4	CL-100	
5	CL-5	
6	SCL-1	

MEMBER TABLE		
FRAME LINE 1		
MARK	PART	
EC-1	W8X10	
EC-2	W8X10	
EC-3	W8X10	
ER-1	W8X10	
ER-2	W8X10	
DJ-1	8X35C16	
DH-1	8X25C16	
DS-1	8X25C16	
G-1	8X25Z16	
G-2	8X25Z16	
G-3	8X25Z16	
G-4	8X25Z16	
G-5	8X25Z16	
RD-1	RD0500	



**GENERAL NOTES:**  
 TRIM IS FIGURED WITH 2" TRIM LAP UNLESS NOTED ON A DETAIL.  
 FIELD CUT PANELS AT FRAMED OPENINGS, WALKDOORS, AND WINDOWS.  
 FORMED BASE TRIM (IF USED) TO BE FIELD MITERED AT CORNERS.  
 BEVEL CUT ENDWALL PANELS AS REQUIRED.  
 FIELD SLOT GIRTS AS REQUIRED FOR CABLE BRACE CLEARANCE.

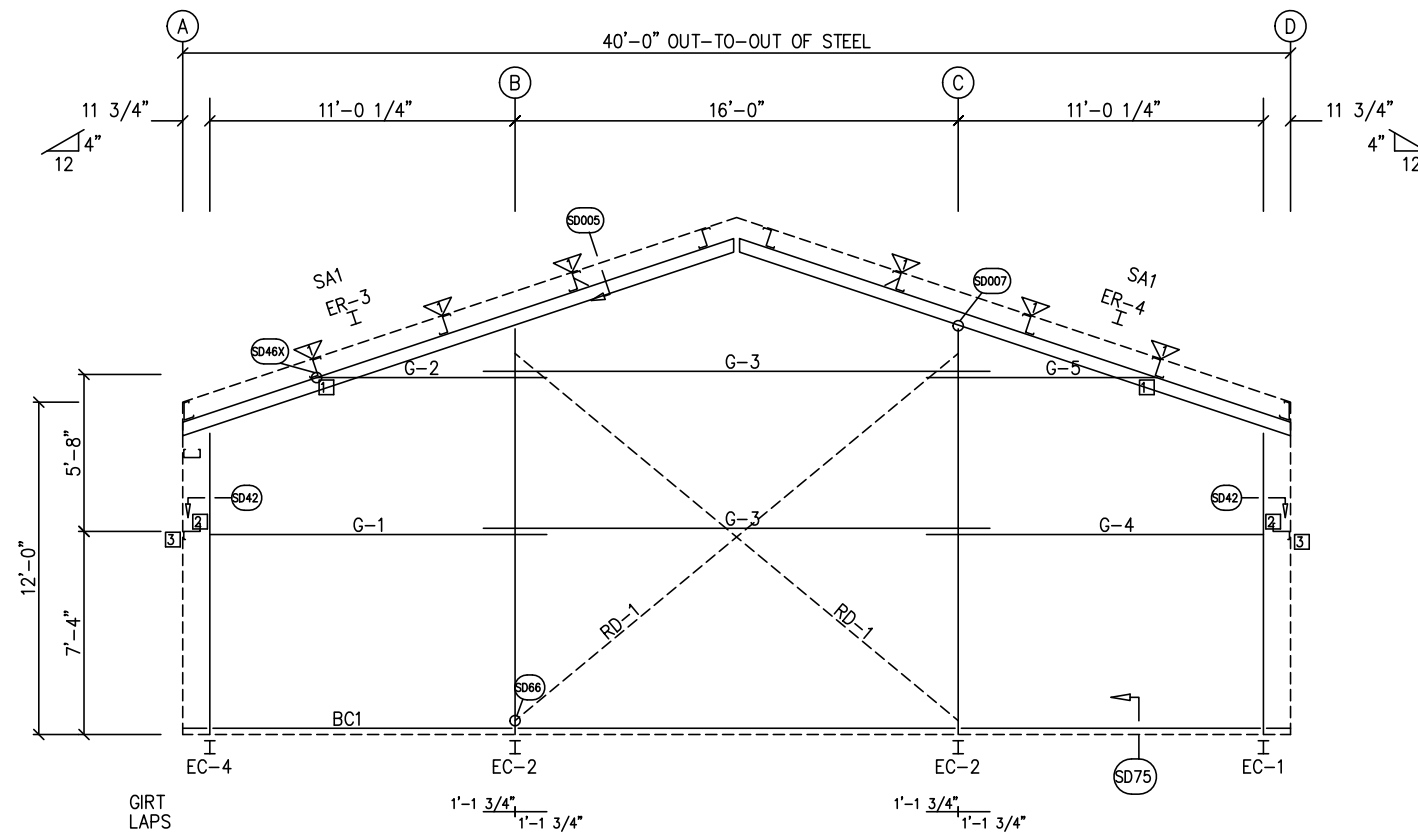
FRED F. RADFAR P.E.  
 30 WINDERMERE LANE  
 HOUSTON, TEXAS 77063  
 713-784-9008  
 fred@radfarpe.com  
 North Carolina License #010295  
 Exp. 12/31/2020

DRAWING STATUS	
<input type="checkbox"/>	FOR APPROVAL: THESE DRAWINGS, BEING FOR APPROVAL, ARE BY DEFINITION NOT FINAL, AND ARE FOR CONCEPTUAL REPRESENTATION ONLY. THEIR PURPOSE IS TO CONFIRM PROPER INTERPRETATION OF THE PROJECT DOCUMENTS. ONLY DRAWINGS ISSUED "FOR CONSTRUCTION" CAN BE CONSIDERED AS COMPLETE.
<input type="checkbox"/>	FOR PERMIT: THESE DRAWINGS, BEING FOR PERMIT, ARE BY DEFINITION NOT FINAL IN THAT, AS A MINIMUM, PIECE MARKINGS ARE NOT IDENTIFIED. ONLY DRAWINGS ISSUED "FOR CONSTRUCTION" CAN BE CONSIDERED AS COMPLETE.
<input checked="" type="checkbox"/>	FOR CONSTRUCTION: FINAL DRAWINGS.

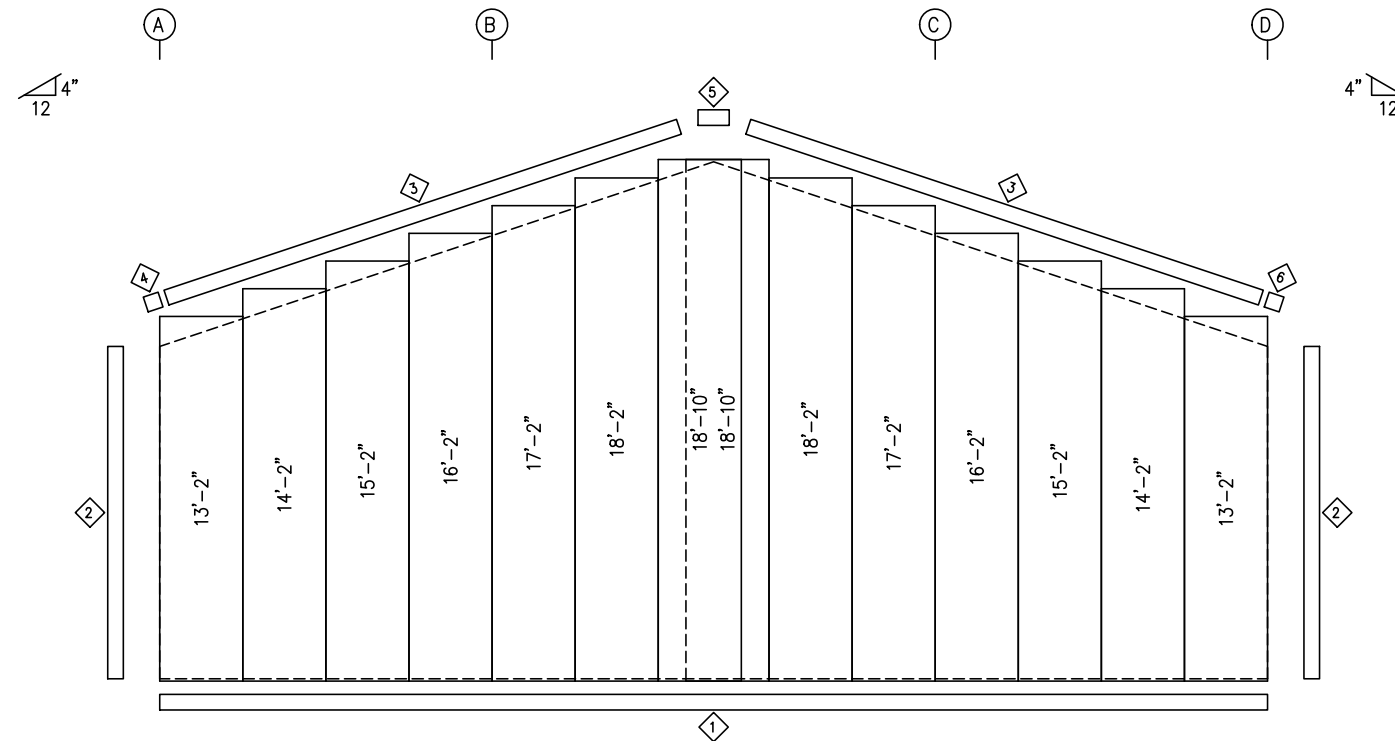
REVISIONS				
NO.	DATE	DESCRIPTION	BY	CHK'D
0	9/21/20	PERMIT FOR CONSTRUCTION	LL	LL

**SCHULTE BUILDING SYSTEMS**  
 17600 Badtke Road - Hookley, Texas 77447  
 PHONE: 281.304.6111 877.257.2534  
 FAX: 281.304.6113  
 www.SchulteBuildingSystems.com

OWNER OR PROJECT	ERIC DELP PROJECT	CUSTOMER	SANFORD METAL BUILDING, LLC
JOB SITE LOCATION	100 DINO COURT SANFORD, NC 27332	ADDRESS	P.O. BOX 5231 SANFORD, NC 27331
CAD BY	ENGRD BY	DATE	SCALE
LL	FR	9/18/20	N.T.S.
JOB NO.	PH	BLDG. DESC.	SHEET NO.
163871			E5 of 6
ISSUE			0



ENDWALL FRAMING: FRAME LINE 3



ENDWALL SHEETING & TRIM: FRAME LINE 3

PANELS: 26 Ga. PBR - Rustic Red

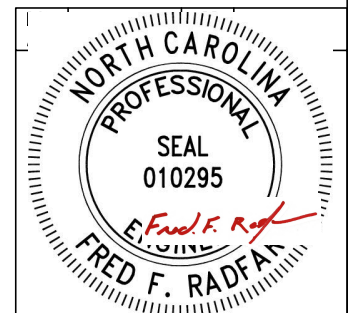
TRIM TABLE				
FRAME LINE 3				
ID	QUAN	PART	LENGTH	DETAIL
1	2	FL-59	20'-2"	SD75
2	1	FL-110	12'-0"	TD040
3	1	FL-21	11'-1"	TD035
4	1	FL-21L	11'-2"	TD013
5	1	FL-23	1'-4"	
6	1	FL-21R	11'-2"	TD085

BOLT TABLE				
FRAME LINE 3				
LOCATION	QUAN	TYPE	DIA	LENGTH
ER-3/ER-4	8	A325	5/8"	1 3/4"
Columns/Raf	2	A325	5/8"	1 1/4"

FLANGE BRACE TABLE		
FRAME LINE 3		
ID	MARK	LENGTH
1	FB1A	2'-10"

MEMBER TABLE	
FRAME LINE 3	
MARK	PART
EC-1	W8X10
EC-2	W8X10
EC-4	W8X10
ER-3	W8X10
ER-4	W8X10
G-1	8X25Z16
G-2	8X25Z16
G-3	8X25Z16
G-4	8X25Z16
G-5	8X25Z16
RD-1	RD0500

CONNECTION PLATES	
FRAME LINE 3	
ID	MARK/PART
1	SCL-2
2	CL-64
3	CL-5



09/21/2020

**GENERAL NOTES:**

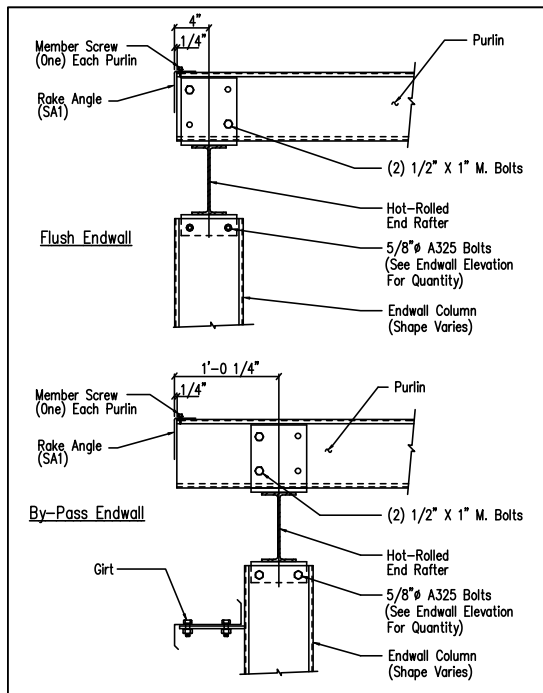
TRIM IS FIGURED WITH 2" TRIM LAP UNLESS NOTED ON A DETAIL.  
 FIELD CUT PANELS AT FRAMED OPENINGS, WALKDOORS, AND WINDOWS.  
 FORMED BASE TRIM (IF USED) TO BE FIELD MITERED AT CORNERS.  
 BEVELCUT ENDWALL PANELS AS REQUIRED.  
 FIELD SLOT GIRTS AS REQUIRED FOR CABLE BRACE CLEARANCE.

FRED F. RADFAR P.E.  
 30 WINDERMERE LANE  
 HOUSTON, TEXAS 77063  
 713-784-9008  
 fred@radfarpe.com  
 North Carolina License #010295  
 Exp. 12/31/2020

DRAWING STATUS	
<input type="checkbox"/>	FOR APPROVAL: THESE DRAWINGS, BEING FOR APPROVAL, ARE BY DEFINITION NOT FINAL, AND ARE FOR CONCEPTUAL REPRESENTATION ONLY. THEIR PURPOSE IS TO CONFIRM PROPER INTERPRETATION OF THE PROJECT DOCUMENTS. ONLY DRAWINGS ISSUED "FOR CONSTRUCTION" CAN BE CONSIDERED AS COMPLETE.
<input type="checkbox"/>	FOR PERMIT: THESE DRAWINGS, BEING FOR PERMIT, ARE BY DEFINITION NOT FINAL IN THAT, AS A MINIMUM, PIECE MARKINGS ARE NOT IDENTIFIED. ONLY DRAWINGS ISSUED "FOR CONSTRUCTION" CAN BE CONSIDERED AS COMPLETE.
<input checked="" type="checkbox"/>	FOR CONSTRUCTION: FINAL DRAWINGS.

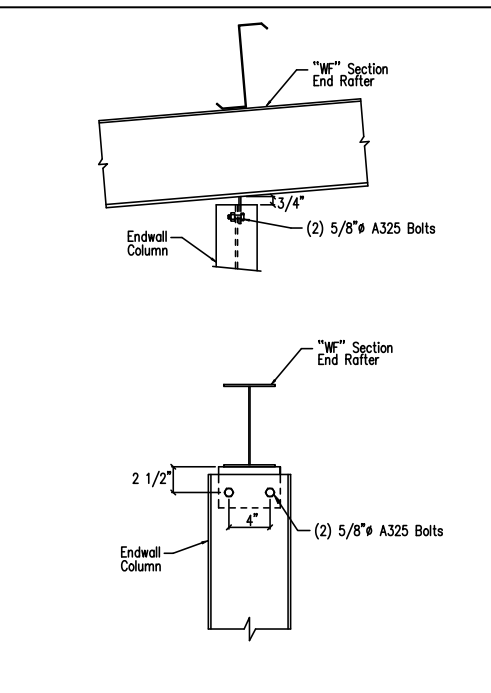
REVISIONS				
NO.	DATE	DESCRIPTION	BY	CK'D
0	9/21/20	PERMIT FOR CONSTRUCTION	LL	LL

<b>SBS</b> SCHULTE BUILDING SYSTEMS		17600 Battke Road - Hookley, Texas 77447 PHONE: 281.304.6111 877.257.2534 FAX: 281.304.6113 www.SchulteBuildingSystems.com	
OWNER OR PROJECT	ERIC DELP PROJECT	CUSTOMER	SANFORD METAL BUILDING, LLC
JOB SITE LOCATION	100 DINO COURT SANFORD, NC 27332	ADDRESS	P.O. BOX 5231 SANFORD, NC 27331
CAD BY	ENGRD BY	DATE	SCALE
LL	FR	9/18/20	N.T.S.
JOB NO.	PH	BLDG. DESC.	SHEET NO.
163871			E6 of 6
ISSUE			0



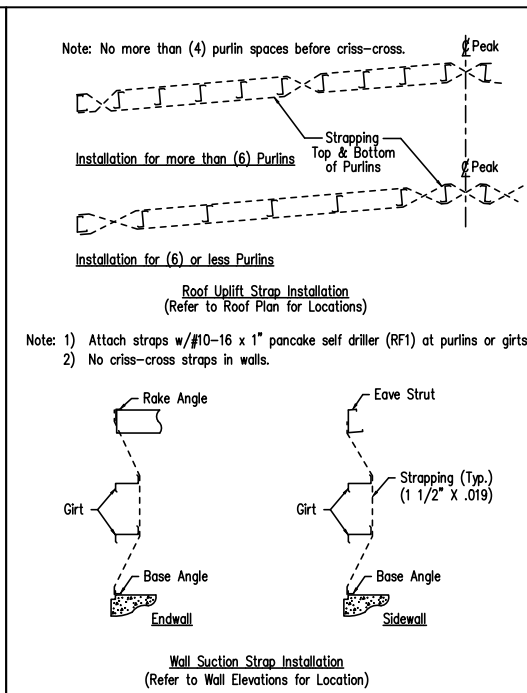
Section Thru Rake w/Hot Rolled Rafter

DRAWING NO. SD5



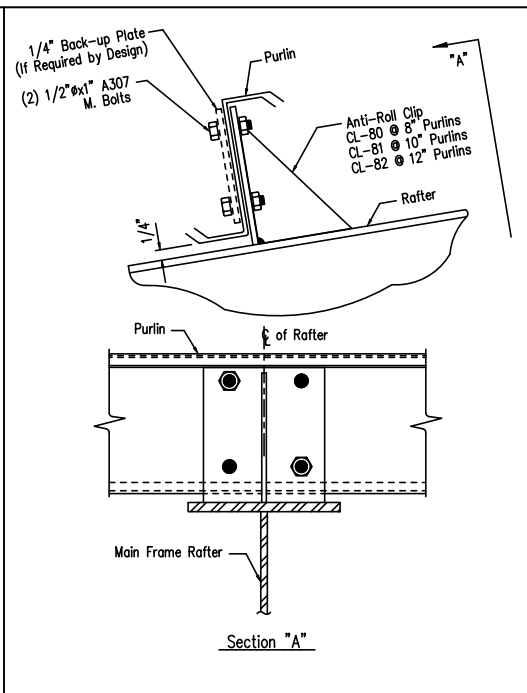
Hot Rolled Column to Hot Rolled Rafter

DRAWING NO. SD7



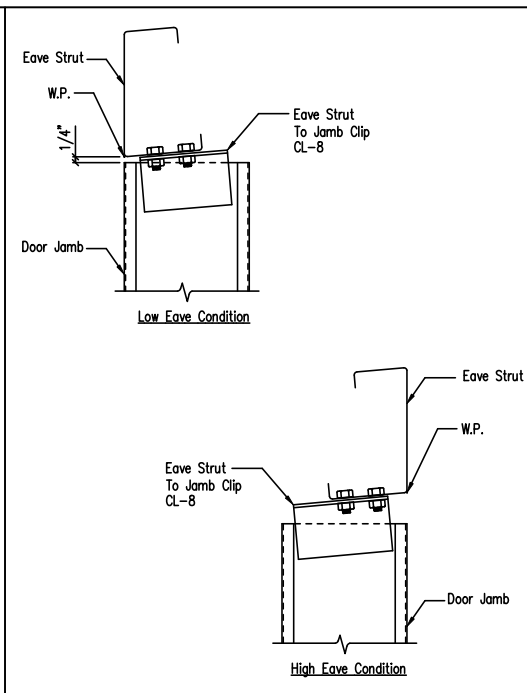
Roof Uplift and Wall Suction Strap Details

DRAWING NO. SD102



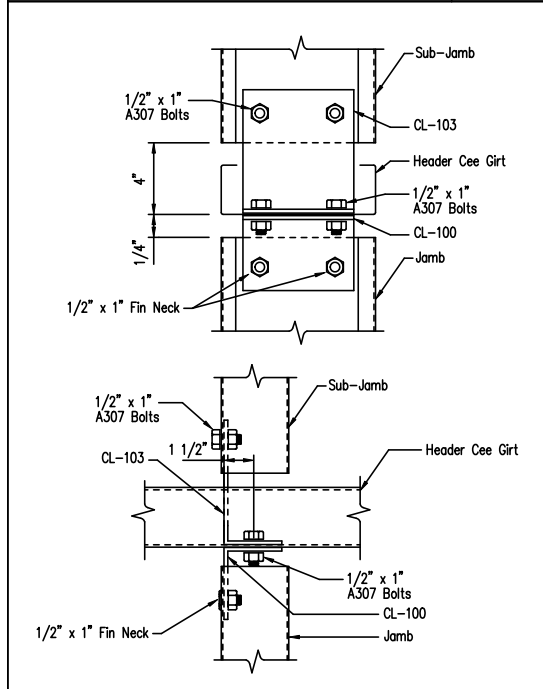
Purlin to Anti-Roll Clip Connection

DRAWING NO. SD115



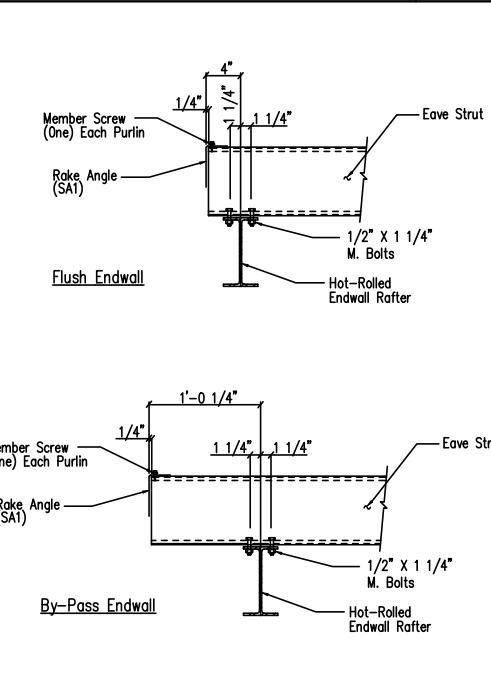
Jamb to Eave Strut  
2:12 Roof Pitch and Higher

DRAWING NO. SD97



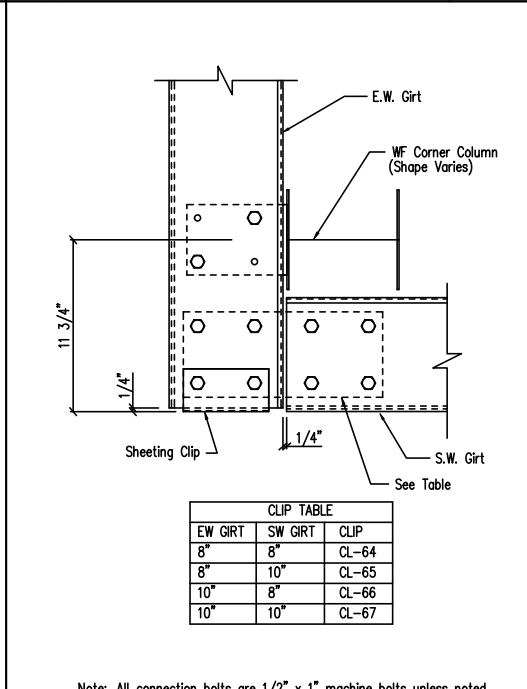
Jamb to Header Girt with Sub-Jamb

DRAWING NO. SD121



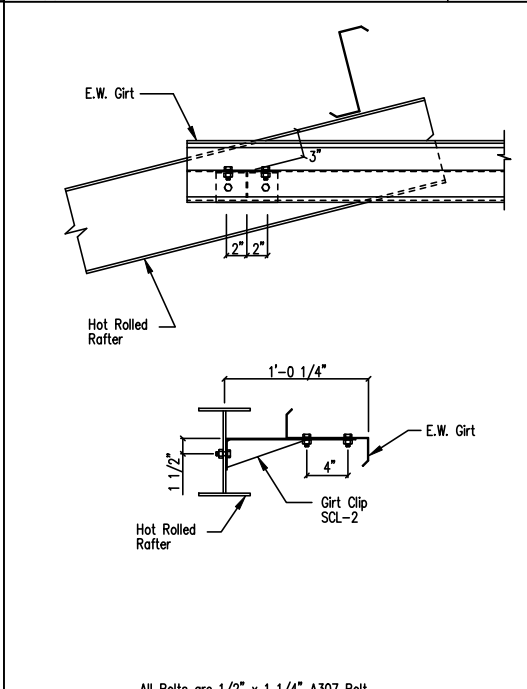
Eave Strut to Hot Rolled Rafter Connection

DRAWING NO. SD14



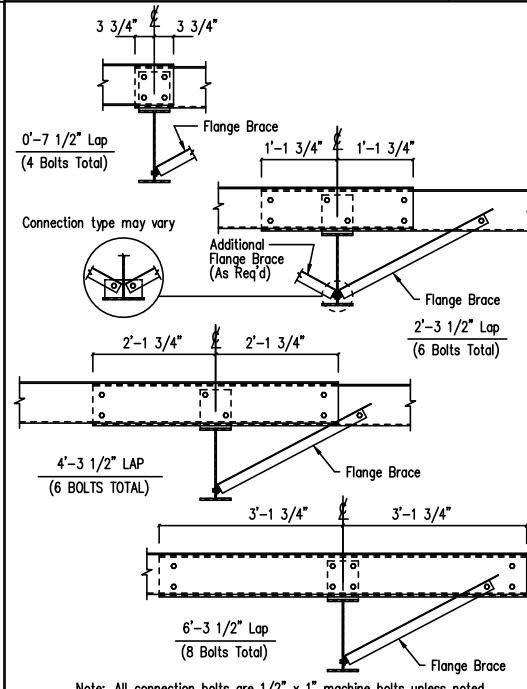
Section at W.F. Corner Column  
By-Pass Endwall

DRAWING NO. SD42



Endwall Girt to H.R. Rafter

DRAWING NO. SD46X



Interior Bay Purlin Framing

DRAWING NO. SD50

Revised: Dec/04/2018

Created On: 3/25/11

GENERAL NOTES:  
SEE ELEVATIONS FOR TRIM MARKS, LENGTHS, LOCATION, AND QUANTITY.  
ALL TAPE SEALANT IS CONTINUOUS UNLESS NOTED.  
WALL PANELS, POP RIVETS, AND EAVE TRIM TO BE INSTALLED BEFORE ROOF INSULATION.  
FOR CLARITY OF DETAIL, ROOF INSULATION IS NOT SHOWN.  
\* 1" WIDE x 3/32" TAPE SEAL (OPTIONAL) MUST BE SPECIFIED ON THE WORK ORDER.  
\* TRIM PROFILE MAY VARY.

FRED F. RADFAR P.E  
30 WINDERMERE LANE  
HOUSTON, TEXAS 77063  
713-784-9008  
fred@radfarpe.com  
North Carolina License #010295  
Exp. 12/31/2020

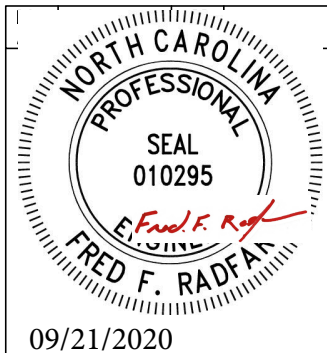
DRAWING STATUS	
<input type="checkbox"/> FOR APPROVAL:	THESE DRAWINGS, BEING FOR APPROVAL, ARE BY DEFINITION NOT FINAL, AND ARE FOR CONCEPTUAL REPRESENTATION ONLY. THEIR PURPOSE IS TO CONFIRM PROPER INTERPRETATION OF THE PROJECT DOCUMENTS. ONLY DRAWINGS ISSUED "FOR CONSTRUCTION" CAN BE CONSIDERED AS COMPLETE.
<input type="checkbox"/> FOR PERMIT:	THESE DRAWINGS, BEING FOR PERMIT, ARE BY DEFINITION NOT FINAL IN THAT, AS A MINIMUM, PIECE MARKINGS ARE NOT IDENTIFIED. ONLY DRAWINGS ISSUED "FOR CONSTRUCTION" CAN BE CONSIDERED AS COMPLETE.
<input checked="" type="checkbox"/> FOR CONSTRUCTION:	FINAL DRAWINGS.

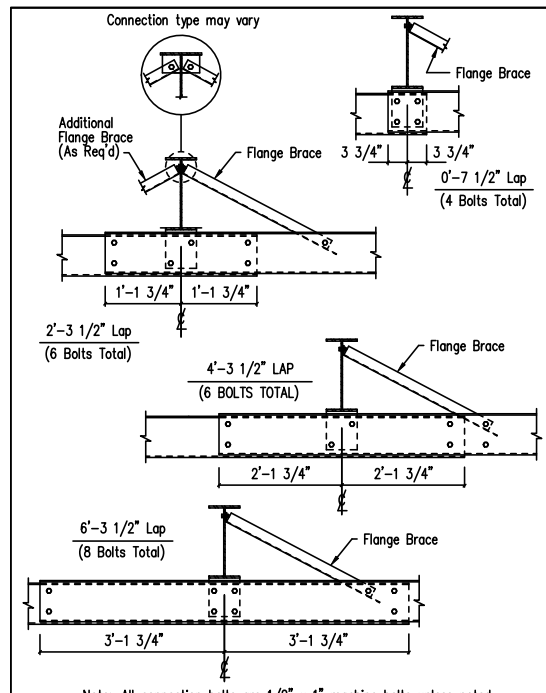
REVISIONS			
NO.	DATE	DESCRIPTION	BY
0	9/21/20	PERMIT FOR CONSTRUCTION	LL

**SCHULTE BUILDING SYSTEMS**  
17600 Battke Road - Hookley, Texas 77447  
PHONE: 281.304.6111 877.257.2534  
FAX: 281.304.6113  
www.SchulteBuildingSystems.com

**SBS**  
SCHULTE BUILDING SYSTEMS

OWNER OR PROJECT	ERIC DELP PROJECT	CUSTOMER	SANFORD METAL BUILDING, LLC
JOB SITE LOCATION	100 DINO COURT SANFORD, NC 27332	ADDRESS	P.O. BOX 5231 SANFORD, NC 27331
CAD BY	ENGRD BY	DATE	SCALE
LL	FR	9/18/20	N.T.S.
JOB NO.	PH	BLDG. DESC.	SHEET NO.
163871			D1 of 4
ISSUE			0

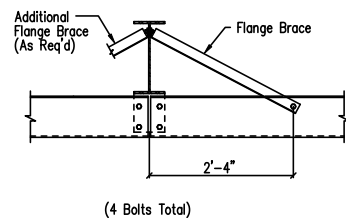




Note: All connection bolts are 1/2" x 1" machine bolts unless noted.

Interior Bay Girt Framing

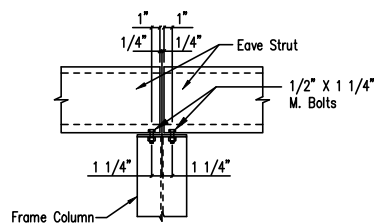
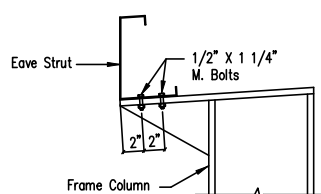
DRAWING NO. SD51



Note: All connection bolts are 1/2" x 1" machine bolts unless noted.

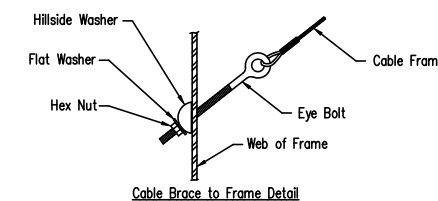
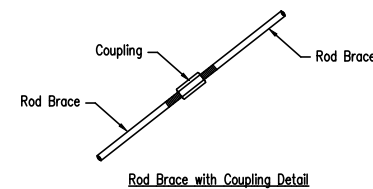
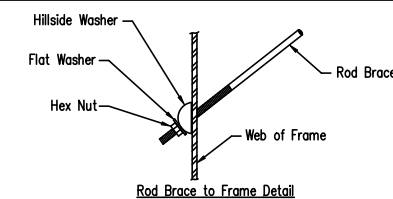
Simple Span Girt Framing

DRAWING NO. SD52



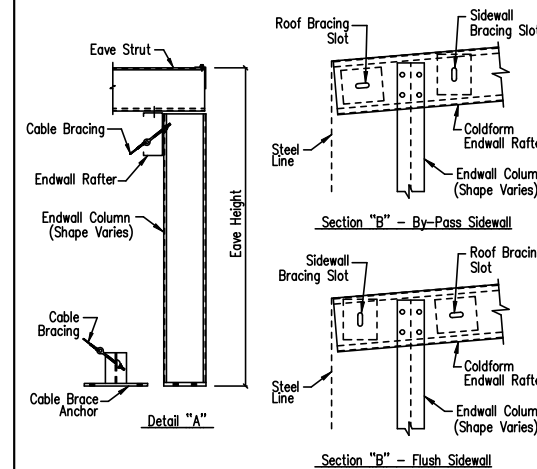
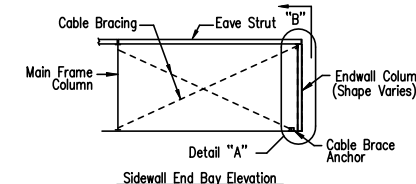
Eave Strut at Interior Column  
By-Pass Sidewall

DRAWING NO. SD59



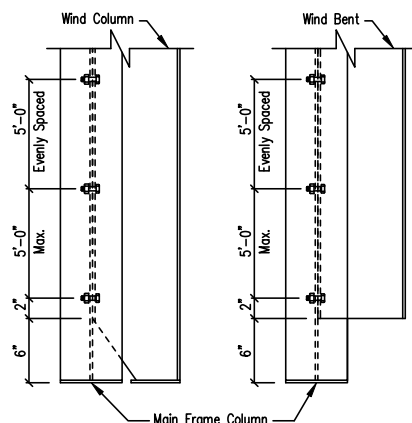
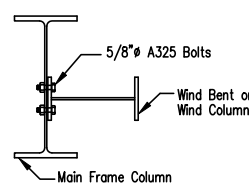
Cable or Rod Brace to Frame Connection

DRAWING NO. SD66



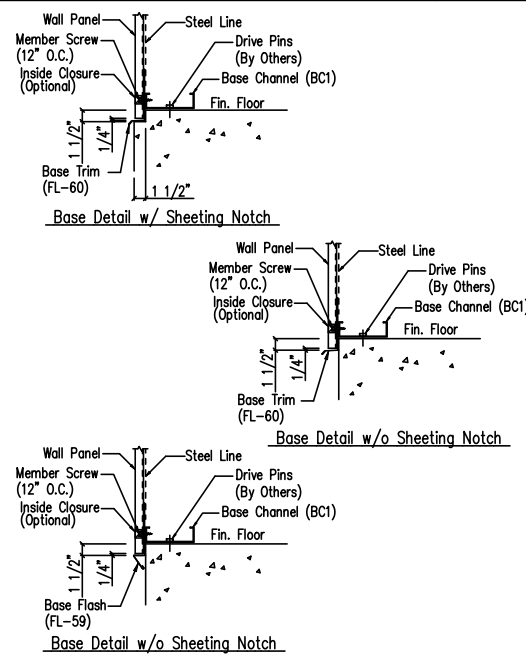
End Bay Bracing

DRAWING NO. SD67



Wind Column/Bent Frame Detail

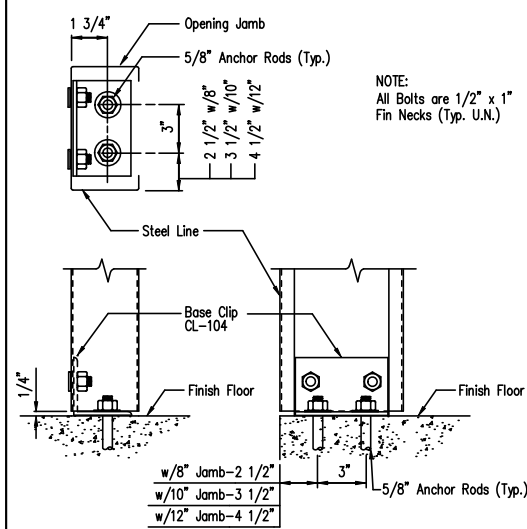
DRAWING NO. SD70



NOTE: If insulation is required install trim first.  
NOTE: A minimum of 1/4" space should be allowed from the sheet end to any surface.

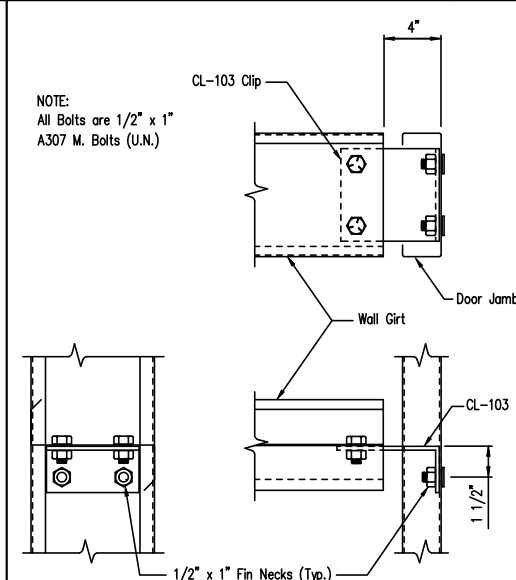
Base Channel w/Trim

DRAWING NO. SD75



Jamb to Floor

DRAWING NO. SD85



Girt to Jamb (Bolted Clips)

DRAWING NO. SD87

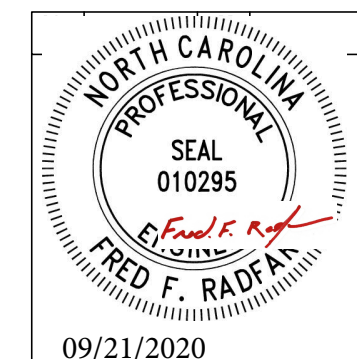
GENERAL NOTES:  
SEE ELEVATIONS FOR TRIM MARKS, LENGTHS, LOCATION, AND QUANTITY.  
ALL TAPE SEALANT IS CONTINUOUS UNLESS NOTED.  
WALL PANELS, POP RIVETS, AND EAVE TRIM TO BE INSTALLED BEFORE ROOF INSULATION.  
FOR CLARITY OF DETAIL, ROOF INSULATION IS NOT SHOWN.  
\* 1" WIDE x 3/32" TAPE SEAL (OPTIONAL) MUST BE SPECIFIED ON THE WORK ORDER.  
\* TRIM PROFILE MAY VARY.

FRED F. RADFAR P.E.  
30 WINDERMERE LANE  
HOUSTON, TEXAS 77063  
713-784-9008  
fred@radfarpe.com  
North Carolina License #010295  
Exp. 12/31/2020

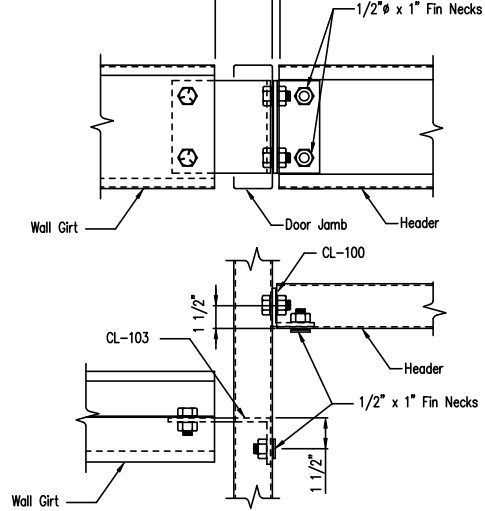
DRAWING STATUS	
<input type="checkbox"/> FOR APPROVAL:	THESE DRAWINGS, BEING FOR APPROVAL, ARE BY DEFINITION NOT FINAL, AND ARE FOR CONCEPTUAL REPRESENTATION ONLY. THEIR PURPOSE IS TO CONFIRM PROPER INTERPRETATION OF THE PROJECT DOCUMENTS. ONLY DRAWINGS ISSUED "FOR CONSTRUCTION" CAN BE CONSIDERED AS COMPLETE.
<input type="checkbox"/> FOR PERMIT:	THESE DRAWINGS, BEING FOR PERMIT, ARE BY DEFINITION NOT FINAL IN THAT, AS A MINIMUM, PIECE MARKINGS ARE NOT IDENTIFIED. ONLY DRAWINGS ISSUED "FOR CONSTRUCTION" CAN BE CONSIDERED AS COMPLETE.
<input checked="" type="checkbox"/> FOR CONSTRUCTION:	FINAL DRAWINGS.

REVISIONS			
NO.	DATE	DESCRIPTION	BY CK'D
0	9/21/20	PERMIT FOR CONSTRUCTION	LL LL

SCHULTE BUILDING SYSTEMS		SCHULTE BUILDING SYSTEMS	
17600 Battke Road - Hookley, Texas 77447		17600 Battke Road - Hookley, Texas 77447	
PHONE: 281.304.6111 877.257.2534		PHONE: 281.304.6111 877.257.2534	
FAX: 281.304.6113		FAX: 281.304.6113	
www.SchulteBuildingSystems.com			
DESCRIPTION: DETAIL DRAWINGS		SIZE: REFER TO C1	
OWNER OR PROJECT: ERIC DELP PROJECT	CUSTOMER: SANFORD METAL BUILDING, LLC		
JOB SITE LOCATION: 100 DINO COURT	ADDRESS: P.O. BOX 5231		
CAD BY: LL	ENGRD BY: FR	DATE: 9/18/20	SCALE: N.T.S.
JOB NO.: 163871	PH. BLDG. DESC.:	SHEET NO.: D2 of 4	ISSUE: 0



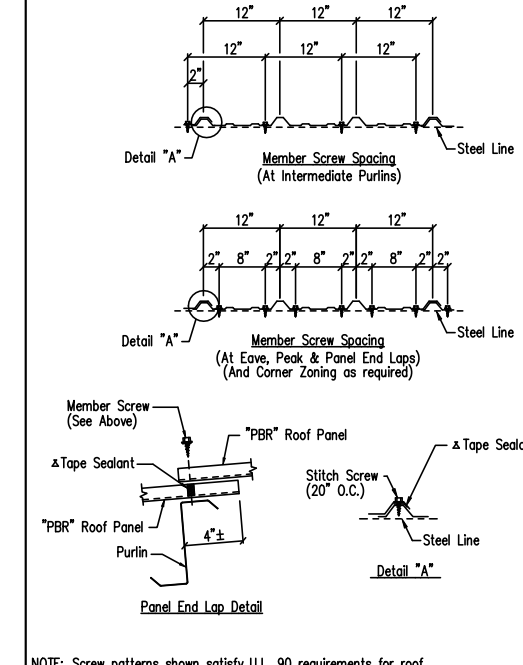
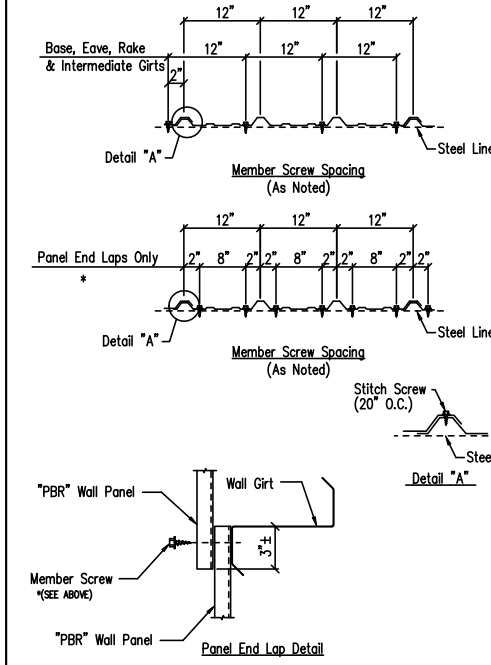
NOTE:  
All Bolts are 1/2" x 1"  
A307 M. Bolts (U.N.)



- Roof Fasteners:** #14 x 7/8" Self Drilling Screw Laptek - Stitch Screw  
Long Life Fasteners #12 x 1 1/4" Self Drilling Screw - Member Screw
- Wall Fasteners:** #14 x 7/8" Self Drilling Screw Laptek - Stitch Screw  
Long Life Fasteners #12 x 1 1/4" Self Drilling Screw - Member Screw
- Trim Fasteners:** #14 x 7/8" Self Drilling Screw Laptek - Stitch Screw  
Long Life Fasteners #12 x 1 1/4" Self Drilling Screw - Member Screw
- Liner Fasteners:** #14 x 7/8" Self Drilling Screw Laptek - Stitch Screw  
Long Life Fasteners #12 x 1 1/4" Self Drilling Screw - Member Screw
- Partition Fasteners:** #14 x 7/8" Self Drilling Screw Laptek - Stitch Screw  
Long Life Fasteners #12 x 1 1/4" Self Drilling Screw - Member Screw
- Soffit Fasteners:** #14 x 7/8" Self Drilling Screw Laptek - Stitch Screw  
Long Life Fasteners #12 x 1 1/4" Self Drilling Screw - Member Screw
- Steel to Steel Fasteners:** #12 x 1" Self Drilling Screw W/O Washer - Member Screw (MS1)
- RE: #10-16 x 1" Self Drilling Screw W/O Washer

NOTE: Refer to Details and Sections for specific screw types, locations, and spacing.

ΔTape Sealant 1/2" x 3/32" x 45'-0" (RSH45-H)  
ΔTape Sealant 1" x 3/32" x 45'-0" (RSH45-1)



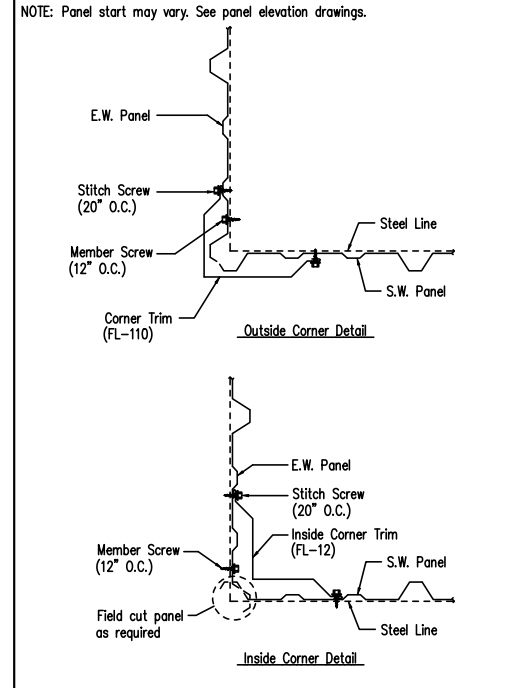
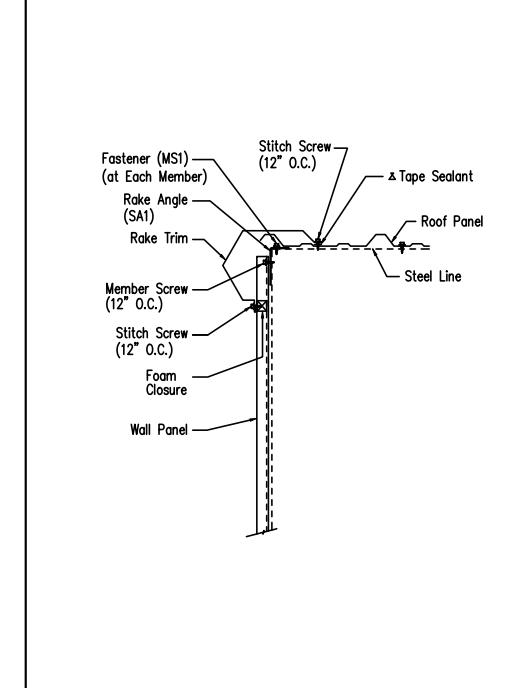
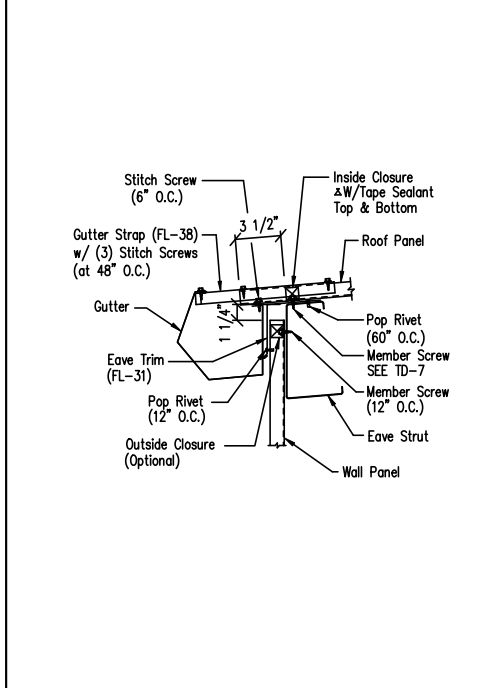
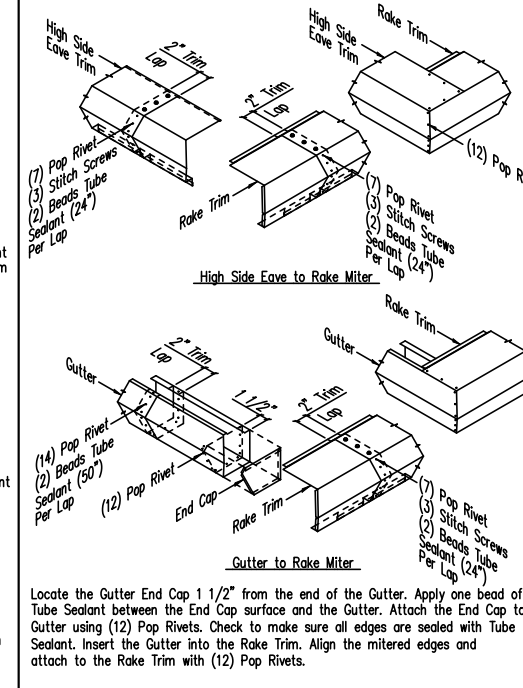
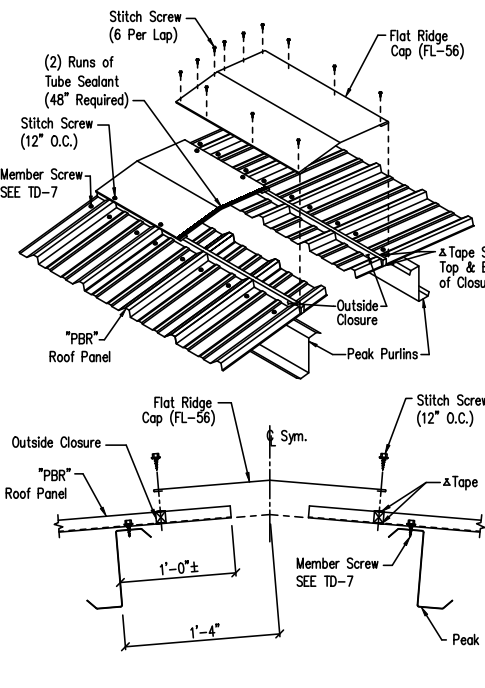
NOTE: Screw patterns shown satisfy U.L. 90 requirements for roof.

Girt/Header to Jamb (Bolted Clips) SD95

Screw Size Note TD000

Fastener Location "PBR" Panel at Wall TD1

Fastener Location "PBR" Panel at Roof TD7



Flat Ridge Detail - PBR TD9

PBR Standard Trim Detail TD13

Low Eave Detail - PBR TD15

Rake Detail - PBR TD35

Section at Corner - PBR TD40

GENERAL NOTES:  
SEE ELEVATIONS FOR TRIM MARKS, LENGTHS, LOCATION, AND QUANTITY.  
ALL TAPE SEALANT IS CONTINUOUS UNLESS NOTED.  
WALL PANELS, POP RIVETS, AND EAVE TRIM TO BE INSTALLED BEFORE ROOF INSULATION.  
FOR CLARITY OF DETAIL, ROOF INSULATION IS NOT SHOWN.  
A 1" WIDE x 3/32" TAPE SEAL (OPTIONAL) MUST BE SPECIFIED ON THE WORK ORDER.  
\* TRIM PROFILE MAY VARY.

FRED F. RADFAR P.E.  
30 WINDERMERE LANE  
HOUSTON, TEXAS 77063  
713-784-9008  
fred@radfarpe.com  
North Carolina License #010295  
Exp. 12/31/2020

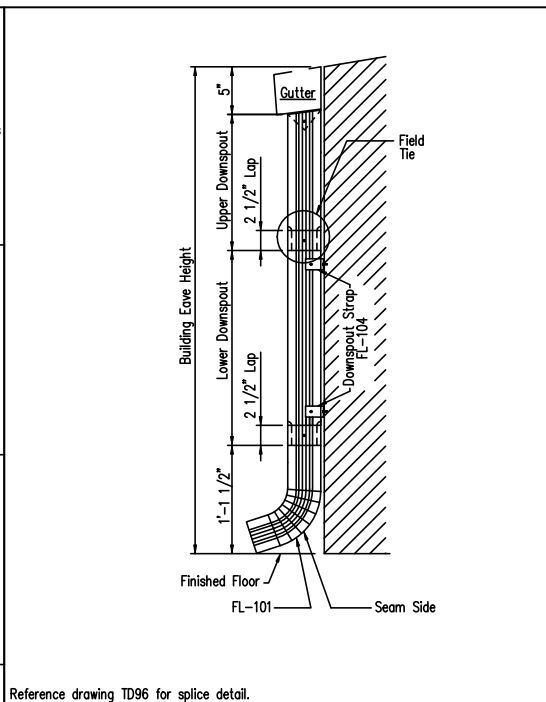
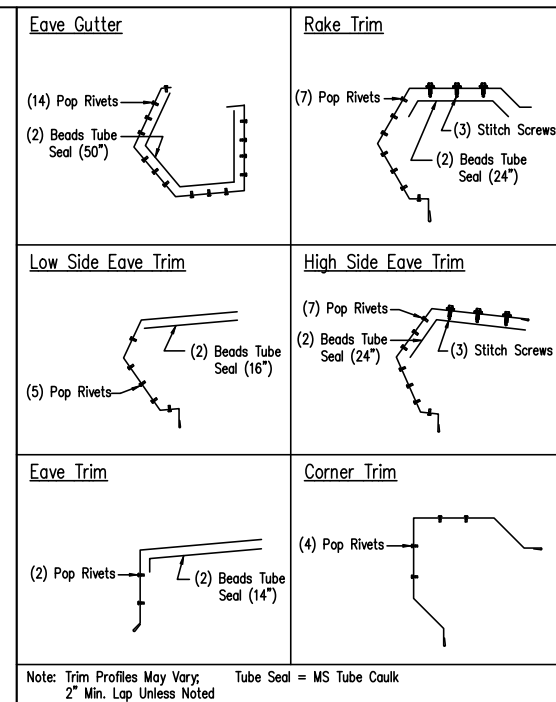
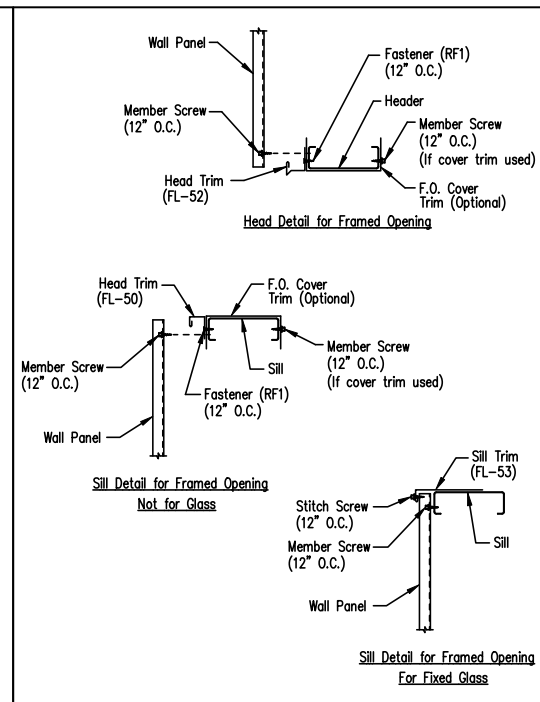
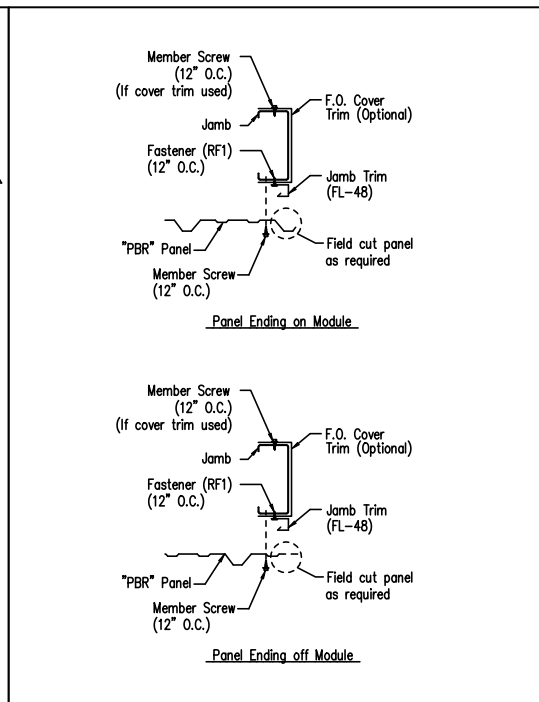
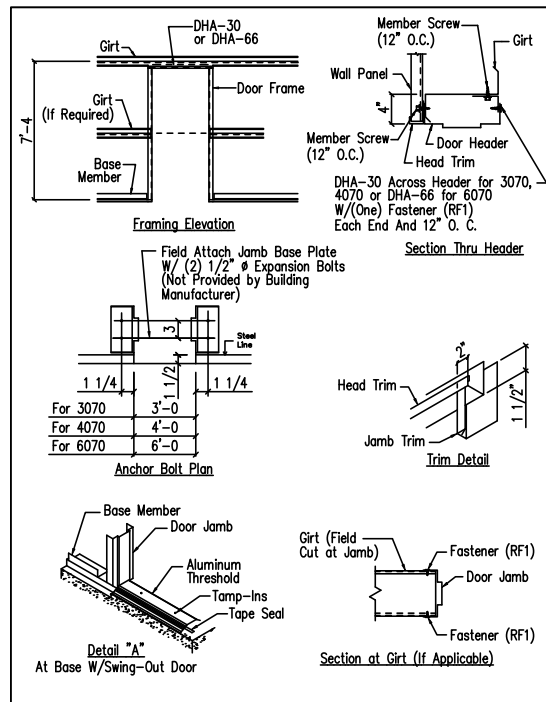
DRAWING STATUS	
<input type="checkbox"/> FOR APPROVAL:	THESE DRAWINGS, BEING FOR APPROVAL, ARE BY DEFINITION NOT FINAL, AND ARE FOR CONCEPTUAL REPRESENTATION ONLY. THEIR PURPOSE IS TO CONFIRM PROPER INTERPRETATION OF THE PROJECT DOCUMENTS. ONLY DRAWINGS ISSUED "FOR CONSTRUCTION" CAN BE CONSIDERED AS COMPLETE.
<input type="checkbox"/> FOR PERMIT:	THESE DRAWINGS, BEING FOR PERMIT, ARE BY DEFINITION NOT FINAL IN THAT, AS A MINIMUM, PIECE MARKINGS ARE NOT IDENTIFIED. ONLY DRAWINGS ISSUED "FOR CONSTRUCTION" CAN BE CONSIDERED AS COMPLETE.
<input checked="" type="checkbox"/> FOR CONSTRUCTION:	FINAL DRAWINGS.

REVISIONS			
NO.	DATE	DESCRIPTION	BY
0	9/21/20	PERMIT FOR CONSTRUCTION	LL

**SCHULTE BUILDING SYSTEMS**  
17600 Battke Road - Hookley, Texas 77447  
PHONE: 281.304.6111 877.257.2534  
FAX: 281.304.6113  
www.SchulteBuildingSystems.com

OWNER OR PROJECT	ERIC DELP PROJECT	CUSTOMER	SANFORD METAL BUILDING, LLC
JOB SITE LOCATION	100 DINO COURT SANFORD, NC 27332	ADDRESS	P.O. BOX 5231 SANFORD, NC 27331
CAD BY	ENGRD BY	DATE	SCALE
LL	FR	9/18/20	N.T.S.
JOB NO.	PH	BLDG. DESC.	SHEET NO.
163871	(none)		D3 of 4
ISSUE			0





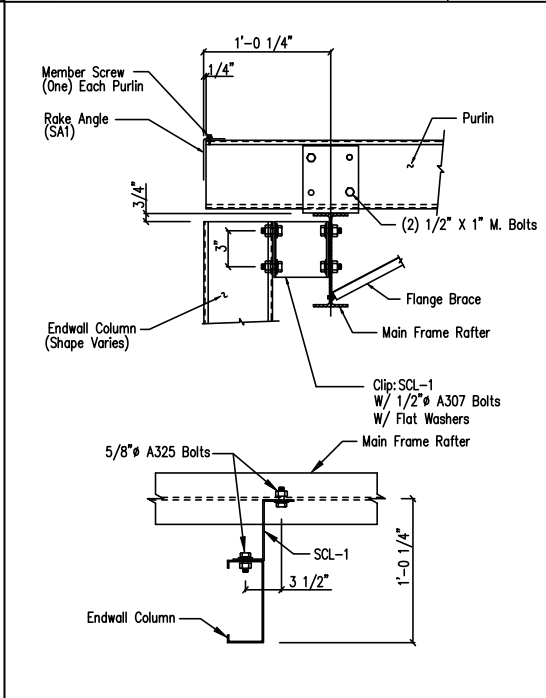
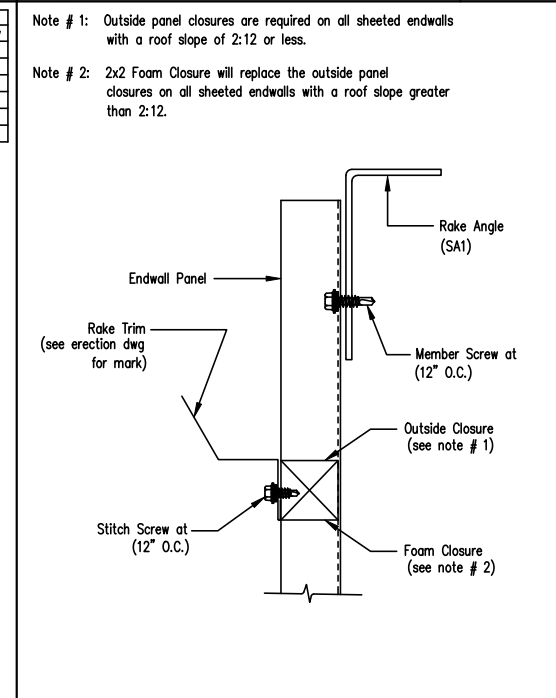
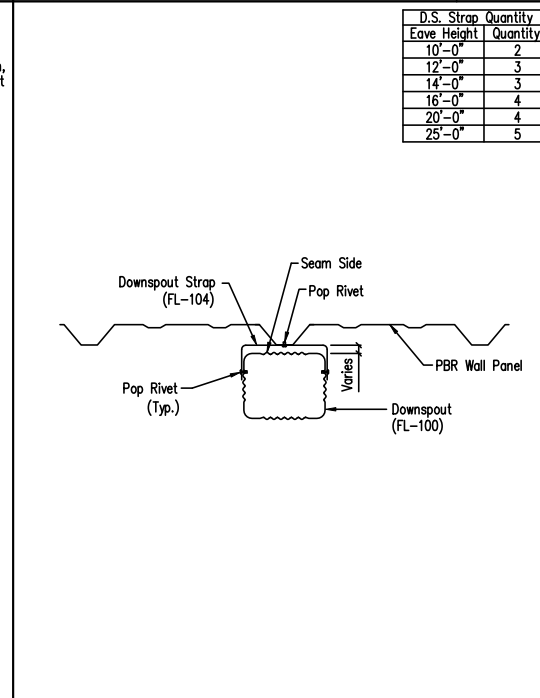
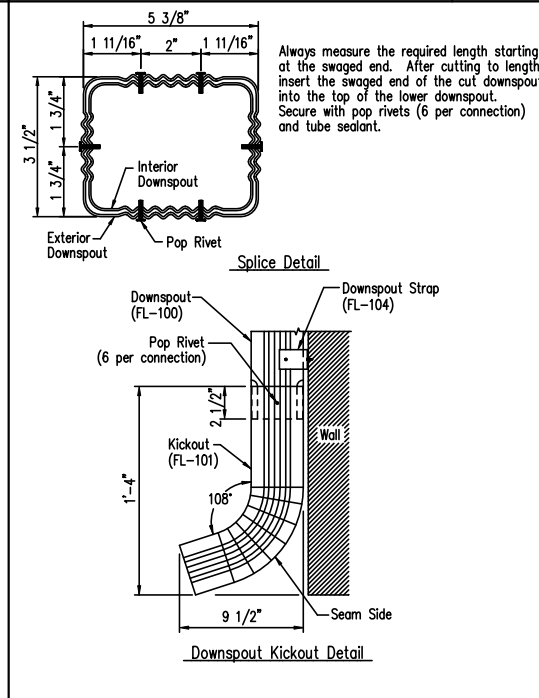
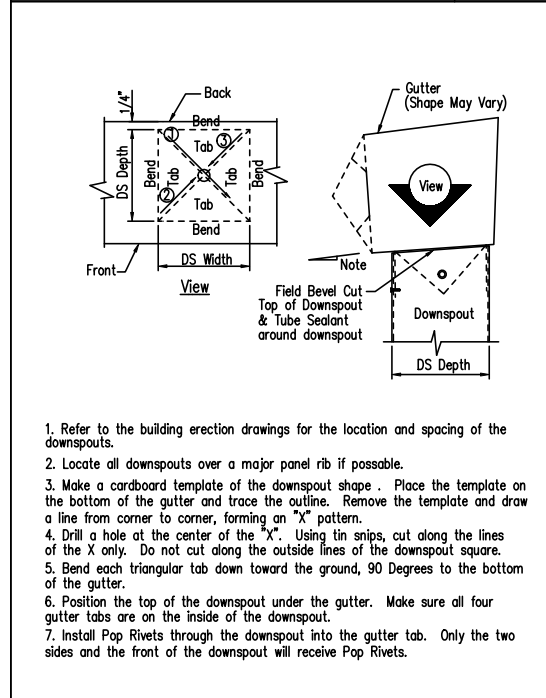
**Personnel Doors (Walk Door Sections)**  
DRAWING NO. TD50  
Created On: 3/2/20 Revised On: 08/19/20

**Jamb Detail For Framed Opening - PBR**  
DRAWING NO. TD51  
Created On: 3/2/20 Revised On: 08/19/20

**Framed Opening Head and Sill Details**  
DRAWING NO. TD52  
Created On: 3/2/20 Revised On: 08/19/20

**Trim Laps - Standard Profile**  
DRAWING NO. TD85  
Created On: 8/21/20 Revised On: 3/2/20

**Downspout Elevation**  
DRAWING NO. TD90  
Created On: 3/2/20



**Downspout to Gutter Attachment Detail**  
DRAWING NO. TD95  
Created On: 8/1/20 Revised On: 3/2/20

**Downspout Kickout and Splice Detail**  
DRAWING NO. TD96  
Created On: 3/2/20 Revised On: 08/19/20

**Downspout Strap Attachment Detail - PBR**  
DRAWING NO. TD98  
Created On: 3/2/20 Revised On: 08/19/20

**Endwall Panel Closure**  
DRAWING NO. TD205  
Created On: 3/2/20

**CF Column to Main Frame Rafter Connection**  
DRAWING NO. SD19X  
Created On: 3/2/20

**GENERAL NOTES:**  
SEE ELEVATIONS FOR TRIM MARKS, LENGTHS, LOCATION, AND QUANTITY.  
ALL TAPE SEALANT IS CONTINUOUS UNLESS NOTED.  
WALL PANELS, POP RIVETS, AND EAVE TRIM TO BE INSTALLED BEFORE ROOF INSULATION.  
FOR CLARITY OF DETAIL, ROOF INSULATION IS NOT SHOWN.  
\* 1" WIDE x 3/32" TAPE SEAL (OPTIONAL) MUST BE SPECIFIED ON THE WORK ORDER.  
\* TRIM PROFILE MAY VARY.

FRED F. RADFAR P.E.  
30 WINDERMERE LANE  
HOUSTON, TEXAS 77063  
713-784-9008  
fred@radfarpe.com  
North Carolina License #010295  
Exp. 12/31/2020

**DRAWING STATUS**

<input type="checkbox"/> FOR APPROVAL:	NO.	DATE	DESCRIPTION	BY	CK'D
THESE DRAWINGS, BEING FOR APPROVAL, ARE BY DEFINITION NOT FINAL, AND ARE FOR CONCEPTUAL REPRESENTATION ONLY. THEIR PURPOSE IS TO CONFIRM PROPER INTERPRETATION OF THE PROJECT DOCUMENTS. ONLY DRAWINGS ISSUED "FOR CONSTRUCTION" CAN BE CONSIDERED AS COMPLETE.	0	9/21/20	PERMIT FOR CONSTRUCTION	LL	LL
<input type="checkbox"/> FOR PERMIT:					
THESE DRAWINGS, BEING FOR PERMIT, ARE BY DEFINITION NOT FINAL IN THAT, AS A MINIMUM, PIECE MARKINGS ARE NOT IDENTIFIED. ONLY DRAWINGS ISSUED "FOR CONSTRUCTION" CAN BE CONSIDERED AS COMPLETE.					
<input checked="" type="checkbox"/> FOR CONSTRUCTION:					
FINAL DRAWINGS.					

**REVISIONS**

NO.	DATE	DESCRIPTION	BY	CK'D
0	9/21/20	PERMIT FOR CONSTRUCTION	LL	LL

**SCHULTE BUILDING SYSTEMS**  
17600 Battke Road - Hookley, Texas 77447  
PHONE: 281.304.6111 877.257.2534  
FAX: 281.304.6113  
www.SchulteBuildingSystems.com

**SBS**  
SCHULTE BUILDING SYSTEMS

OWNER OR PROJECT	ERIC DELP PROJECT	CUSTOMER	SANFORD METAL BUILDING, LLC
JOB SITE LOCATION	100 DINO COURT SANFORD, NC 27332	ADDRESS	P.O. BOX 5231 SANFORD, NC 27331
CAD BY	ENGRD BY	DATE	SCALE
LL	FR	9/18/20	N.T.S.
JOB NO.	PH	BLDG. DESC.	SHEET NO.
163871			D4 of 4
ISSUE			0

