



PILOT MOUNTAIN, NORTH CAROLINA

**STRUCTURAL DESIGN  
ENCLOSED BUILDING**

**MAXIMUM 30'-0" WIDE X 16'-0" EAVE HEIGHT- BOX EAVE  
FRAME**

25 June 2019

Revision 1

M&A Project No. 18315S/19179S

Prepared for:

NC Carports and Garages, LLC  
309 S. Depot Street  
Pilot Mountain, NC 27041

Prepared by:

Moore and Associates Engineering  
and Consulting, Inc.

1009 East Avenue  
North Augusta, SC 29841

401 S. Main St., Suite 200  
Mt. Airy, NC 27030




MOORE AND ASSOCIATES  
ENGINEERING AND CONSULTING, INC.

DRAWN BY: JG  
CHECKED BY: PH  
PROJECT MGR: WSM  
CLIENT: NC CARPORTS

NC CARPORTS AND GARAGES, LLC  
309 S. DEPOT STREET  
PILOT MOUNTAIN, NC 27041  
30'-0" x 16'-0" ENCLOSED STRUCTURE

THIS DOCUMENT IS THE PROPERTY OF MOORE AND ASSOCIATES ENGINEERING AND CONSULTING. THE UNAUTHORIZED REPRODUCTION, COPYING, OR OTHERWISE USE OF THIS DOCUMENT IS STRICTLY PROHIBITED AND ANY INFRINGEMENT THEREUPON MAY BE SUBJECT TO LEGAL ACTION.

DATE: 6-25-19	SCALE: NTS	JOB NO: 18315S/19179S
SHT. 1	DWG. NO: SK-3	REV: 1



# DRAWING INDEX

SHEET 1	PE SEAL COVER SHEET
SHEET 2	DRAWING INDEX
SHEET 3A	INSTALLATION NOTES AND SPECIFICATIONS
SHEET 3B	TYPICAL SIDE AND END ELEVATIONS
SHEET 3C	TYPICAL SIDE AND END ELEVATIONS
SHEET 4	TYPICAL RAFTER/COLUMN FRAME AND SIDE FRAMING SECTION (BOX EAVE STRUCTURE)
SHEET 4A	TYPICAL RAFTER/COLUMN FRAME AND SIDE FRAMING SECTION (BOX EAVE STRUCTURE)
SHEET 4B	TYPICAL RAFTER/COLUMN FRAME AND SIDE FRAMING SECTION (BOX EAVE STRUCTURE)
SHEET 4C	TYPICAL RAFTER/COLUMN FRAME AND SIDE FRAMING SECTION (BOX EAVE STRUCTURE)
SHEET 5	COLUMN CONNECTION DETAILS (BOX EAVE STRUCTURE)
SHEET 6	COLUMN CONNECTION DETAILS (BOX EAVE STRUCTURE)
SHEET 7	BASE RAIL ANCHORAGE OPTIONS
SHEET 7A	BASE RAIL ANCHORAGE OPTIONS
SHEET 8	TYPICAL END WALL AND SIDE WALL FRAMING SECTIONS
SHEET 8A	TYPICAL END WALL AND SIDE WALL FRAMING SECTIONS
SHEET 9	CONNECTION DETAILS
SHEET 10	CONNECTION DETAILS
SHEET 10A	CONNECTION DETAILS
SHEET 11	LEAN-TO OPTIONS
SHEET 11A	LEAN-TO OPTIONS
SHEET 12	VERTICAL ROOF/SIDING OPTION END AND SIDE ELEVATION AND SECTION
SHEET 12A	VERTICAL ROOF/SIDING OPTION END AND SIDE ELEVATION AND SECTION

<b>MOORE AND ASSOCIATES ENGINEERING AND CONSULTING, INC.</b>	DRAWN BY: JG	NC CARPORTS AND GARAGES, LLC 309 S. DEPOT STREET PILOT MOUNTAIN, NC 27041 30'-0" x 16'-0" ENCLOSED STRUCTURE		
	CHECKED BY: PH			
THIS DOCUMENT IS THE PROPERTY OF MOORE AND ASSOCIATES ENGINEERING AND CONSULTING. THE UNAUTHORIZED REPRODUCTION, COPYING, OR OTHERWISE USE OF THIS DOCUMENT IS STRICTLY PROHIBITED AND ANY INFRINGEMENT THEREUPON MAY BE SUBJECT TO LEGAL ACTION.	PROJECT MGR: WSM	DATE: 6-25-19	SCALE: NTS	JOB NO: 18315S/19179S
	CLIENT: NC CARPORTS	SHT. 2	DWG. NO: SK-3	REV: 1

## INSTALLATION NOTES AND SPECIFICATIONS

1. DESIGN IS FOR MAXIMUM 30'-0" WIDE x 16'-0" EAVE HEIGHT ENCLOSED STRUCTURES.
2. DESIGN WAS DONE IN ACCORDANCE WITH THE 2018 NORTH CAROLINA BUILDING CODE, 2009 INTERNATIONAL BUILDING CODE (IBC), 2012 IBC AND 2015 IBC.
3. DESIGN LOADS ARE AS FOLLOWS:
  - A) DEAD LOAD = 1.5 PSF
  - B) LIVE LOAD = 12 PSF
  - C) GROUND SNOW LOAD = 35 PSF  
= 30 PSF (W ≤ 24'-0" WITH U-CHANNEL COLLAR TIE)
4. 3-SECOND GUST ULTIMATE WIND SPEED (V<sub>ULT</sub>) 105 TO 145 MPH (NOMINAL WIND SPEED 82 TO 112 MPH).
5. MAXIMUM RAFTER/COLUMN AND END COLUMN SPACING = 5.0 FEET (UNLESS NOTED OTHERWISE).
6. SIDEWALL COLUMNS AND ENDWALL COLUMNS ARE SIMILAR IN SIZE, UNLESS NOTED OTHERWISE.
7. RISK CATEGORY I.
8. WIND EXPOSURE CATEGORY B.
9. SPECIFICATIONS APPLICABLE TO 29 GAUGE METAL PANELS FASTENED DIRECTLY TO 2 1/2" x 2 1/2" - 14 GAUGE TUBE STEEL (TS) FRAMING MEMBERS (UNLESS NOTED OTHERWISE).
10. AVERAGE FASTENER SPACING ON-CENTERS ALONG RAFTERS OR HAT CHANNELS, AND COLUMNS (INTERIOR OR END) = 9 INCHES.
11. FASTENERS CONSIST OF #12-14x3/4" SELF-DRILLING FASTENER (SDF), USE CONTROL SEAL WASHER WITH EXTERIOR FASTENERS. SPECIFICATIONS APPLICABLE ONLY FOR MEAN ROOF HEIGHT OF 16 FEET OR LESS, AND ROOF SLOPES OF 14° (3:12 PITCH) OR LESS SPACING REQUIREMENTS FOR OTHER ROOF HEIGHTS AND/OR SLOPES MAY VARY.
12. ANCHORS SHALL BE INSTALLED THROUGH BASE RAIL WITHIN 6" OF EACH COLUMN.
13. STANDARD GROUND ANCHORS (SOIL NAILS) CONSIST OF #4 REBAR W/WELDED NUT 30" LONG. SOIL NAILS MAY BE USED FOR WIND SPEEDS < 145 MPH AND IN SUITABLE SOIL CONDITIONS. OPTIONAL ANCHORAGE MAY BE USED IN SUITABLE SOILS AND MUST BE USED FOR WIND SPEEDS > 145 MPH AND/OR IN SUITABLE SOILS AS NOTED.
14. WIND FORCES GOVERN OVER SEISMIC FORCES. SEISMIC PARAMETERS ANALYZED ARE:
  - SOIL SITE CLASS = D
  - RISK CATEGORY I/II/III
  - R = 3.25                      I<sub>E</sub> = 1.0
  - S<sub>DS</sub> = 2.039                V = C<sub>s</sub>W
  - S<sub>D1</sub> = 1.258

**MOORE AND ASSOCIATES  
ENGINEERING AND CONSULTING, INC.**

DRAWN BY: JG

CHECKED BY: PH

PROJECT MGR: WSM

CLIENT: NC CARPORTS

NC CARPORTS AND GARAGES, LLC  
309 S. DEPOT STREET  
PILOT MOUNTAIN, NC 27041  
30'-0"x16'-0" ENCLOSED STRUCTURE

DATE: 6-25-19

SCALE: NTS

JOB NO:  
183155/19179S

SHT. 3A

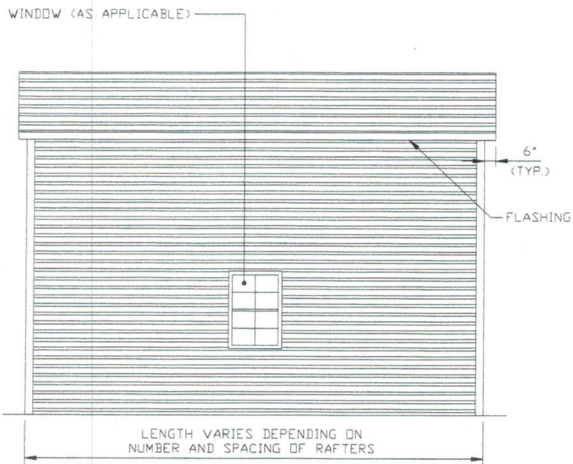
DWG. NO: SK-3

REV: 1

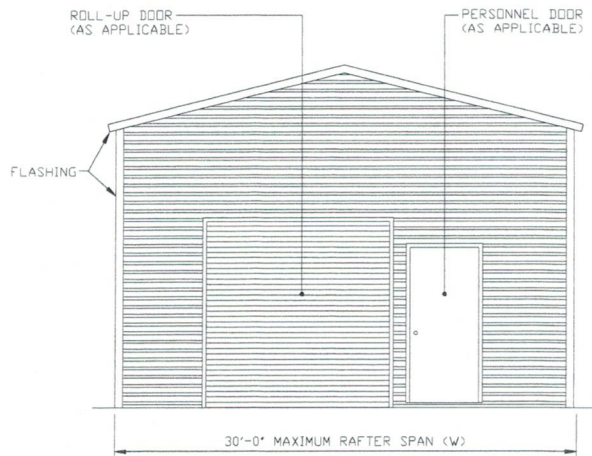
THIS DOCUMENT IS THE PROPERTY OF MOORE AND ASSOCIATES ENGINEERING AND CONSULTING. THE UNAUTHORIZED REPRODUCTION, COPYING, OR OTHERWISE USE OF THIS DOCUMENT IS STRICTLY PROHIBITED AND ANY INFRINGEMENT THEREUPON MAY BE SUBJECT TO LEGAL ACTION.



# BOX EAVE FRAME RAFTER STRUCTURE



**TYPICAL SIDE ELEVATION**  
SCALE: NTS



**TYPICAL END ELEVATION**  
SCALE: NTS

**MOORE AND ASSOCIATES  
ENGINEERING AND CONSULTING, INC.**

DRAWN BY: JG

CHECKED BY: PH

PROJECT MGR: WSM

CLIENT: NC CARPORTS

NC CARPORTS AND GARAGES, LLC  
309 S. DEPOT STREET  
PILOT MOUNTAIN, NC 27041  
30'-0" x 16'-0" ENCLOSED STRUCTURE

DATE: 6-25-19

SCALE: NTS

SHT. 3B

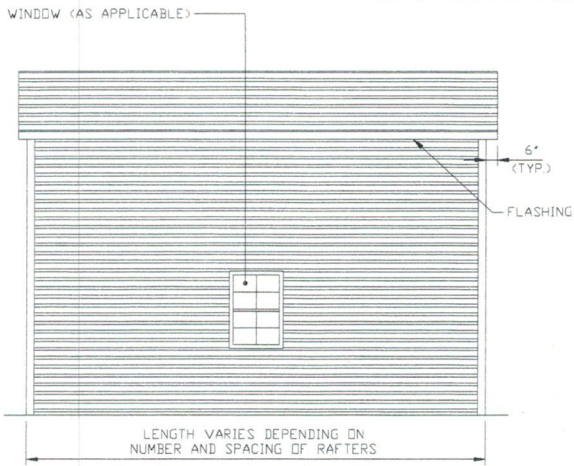
DWG. NO: SK-3

JOB NO:  
18315S/19179S

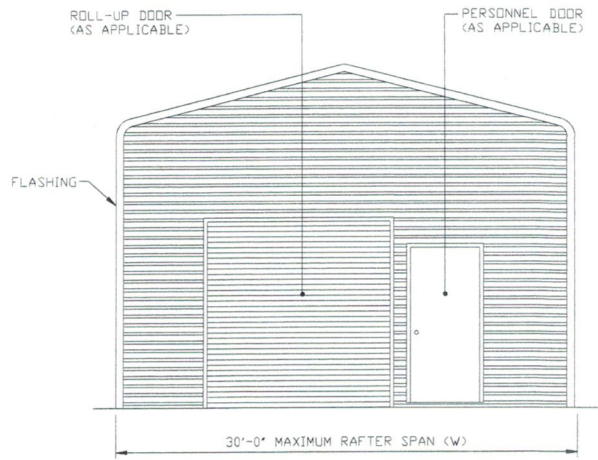
REV: 1

THIS DOCUMENT IS THE PROPERTY OF MOORE AND ASSOCIATES ENGINEERING AND CONSULTING. THE UNAUTHORIZED REPRODUCTION, COPYING, OR OTHERWISE USE OF THIS DOCUMENT IS STRICTLY PROHIBITED AND ANY INFRINGEMENT THEREUPON MAY BE SUBJECT TO LEGAL ACTION.

# BOW EAVE FRAME RAFTER STRUCTURE



**TYPICAL SIDE ELEVATION**  
SCALE: NTS



**TYPICAL END ELEVATION**  
SCALE: NTS

**MOORE AND ASSOCIATES  
ENGINEERING AND CONSULTING, INC.**

DRAWN BY: JG

CHECKED BY: PH

PROJECT MGR: WSM

CLIENT: NC CARPORTS

NC CARPORTS AND GARAGES, LLC  
309 S. DEPOT STREET  
PILOT MOUNTAIN, NC 27041  
30'-0" x 16'-0" ENCLOSED STRUCTURE

DATE: 6-25-19

SCALE: NTS

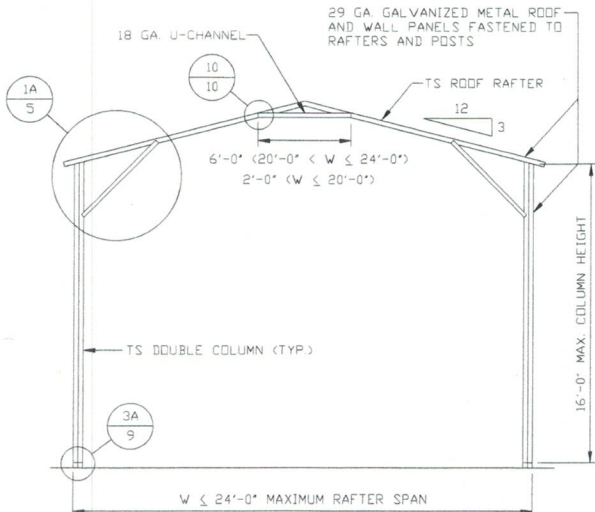
JOB NO:  
183155/19179S

SHT. 3C

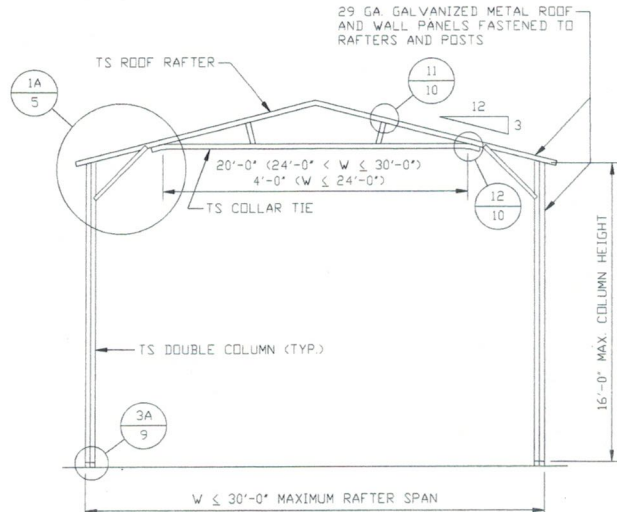
DWG. NO: SK-3

REV: 1

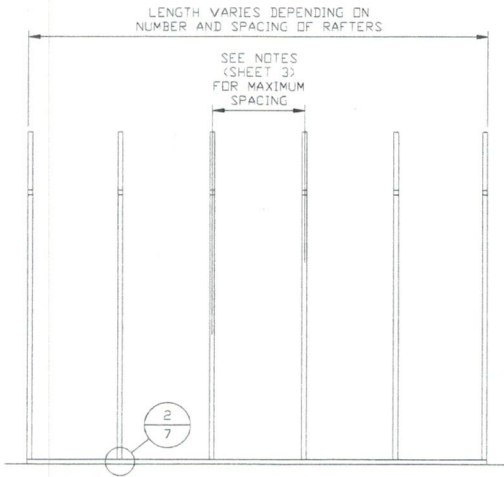
THIS DOCUMENT IS THE PROPERTY OF MOORE AND ASSOCIATES ENGINEERING AND CONSULTING. THE UNAUTHORIZED REPRODUCTION, COPYING, OR OTHERWISE USE OF THIS DOCUMENT IS STRICTLY PROHIBITED AND ANY INFRINGEMENT THEREUPON MAY BE SUBJECT TO LEGAL ACTION.



**TYPICAL RAFTER/COLUMN FRAME SECTION**  
SCALE: NTS



**TYPICAL RAFTER/COLUMN FRAME SECTION**  
SCALE: NTS



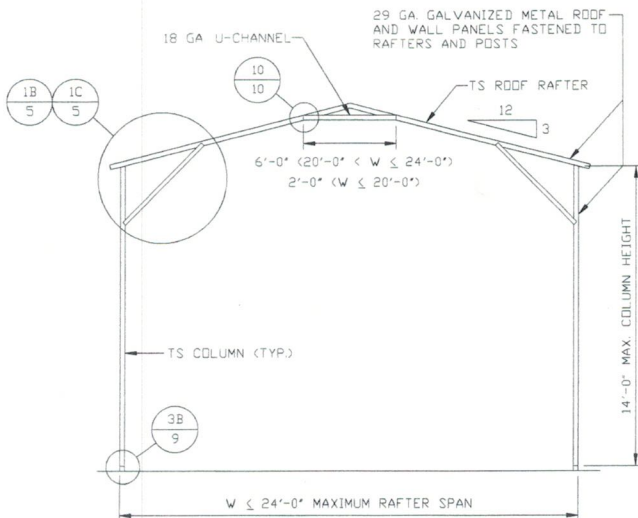
**TYPICAL RAFTER/COLUMN SIDE FRAMING SECTION**  
SCALE: NTS

**MOORE AND ASSOCIATES  
ENGINEERING AND CONSULTING, INC.**

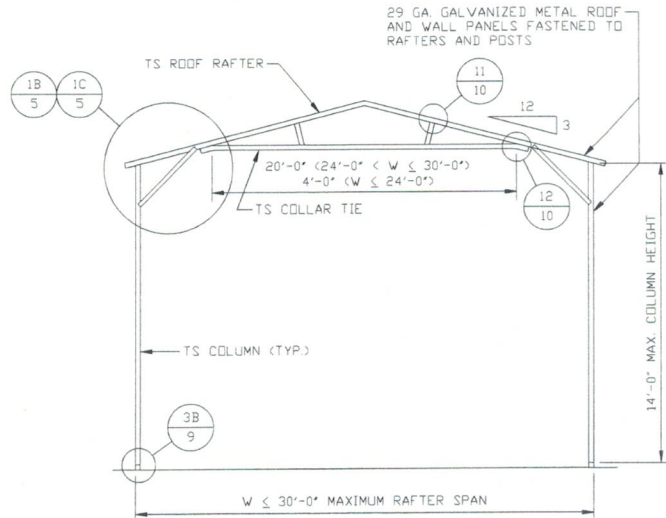
THIS DOCUMENT IS THE PROPERTY OF MOORE AND ASSOCIATES ENGINEERING AND CONSULTING. THE UNAUTHORIZED REPRODUCTION, COPYING, OR OTHERWISE USE OF THIS DOCUMENT IS STRICTLY PROHIBITED AND ANY INFRINGEMENT THEREUPON MAY BE SUBJECT TO LEGAL ACTION.

DRAWN BY: JG		NC CARPORTS AND GARAGES, LLC 309 S. DEPOT STREET PILOT MOUNTAIN, NC 27041 30'-0" x 16'-0" ENCLOSED STRUCTURE		
CHECKED BY: PH				
PROJECT MGR: WSM	DATE: 6-25-19	SCALE: NTS	JOB NO: 18315S/19179S	
CLIENT: NC CARPORTS	SHT. 4	DWG. NO: SK-3	REV: 1	

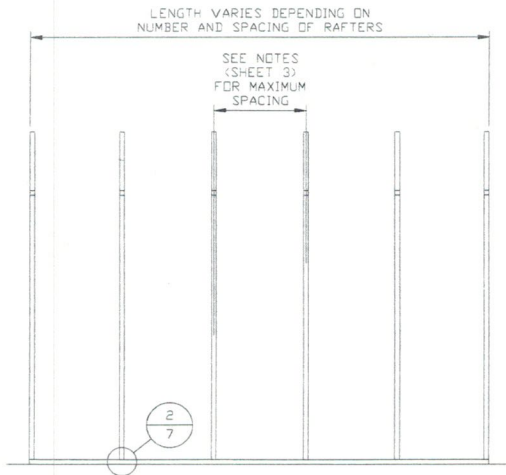




**TYPICAL RAFTER/COLUMN FRAME SECTION**  
SCALE: NTS



**TYPICAL RAFTER/COLUMN FRAME SECTION**  
SCALE: NTS



**TYPICAL RAFTER/COLUMN SIDE FRAMING SECTION**  
SCALE: NTS

**MOORE AND ASSOCIATES  
ENGINEERING AND CONSULTING, INC.**

THIS DOCUMENT IS THE PROPERTY OF MOORE AND ASSOCIATES ENGINEERING AND CONSULTING. THE UNAUTHORIZED REPRODUCTION, COPYING, OR OTHERWISE USE OF THIS DOCUMENT IS STRICTLY PROHIBITED AND ANY INFRINGEMENT THEREUPON MAY BE SUBJECT TO LEGAL ACTION.

DRAWN BY: JG

CHECKED BY: PH

PROJECT MGR: WSM

CLIENT: NC CARPORTS

NC CARPORTS AND GARAGES, LLC  
309 S. DEPOT STREET  
PILOT MOUNTAIN, NC 27041  
30'-0" x 16'-0" ENCLOSED STRUCTURE

DATE: 6-25-19

SHT. 4A

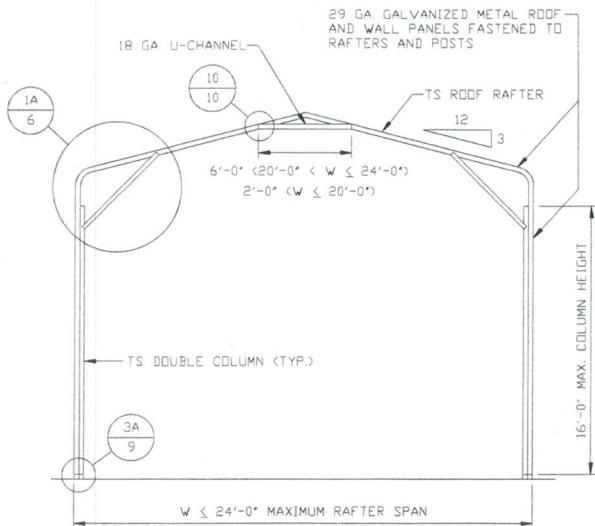
SCALE: NTS

DWG. NO: SK-3

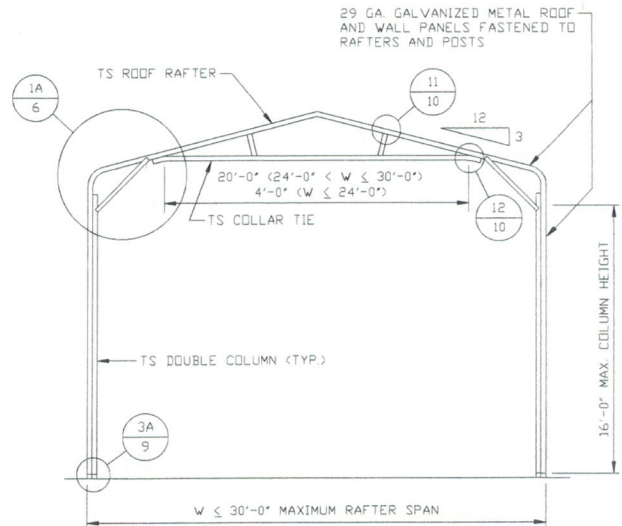
JOB NO:

18315S/19179S

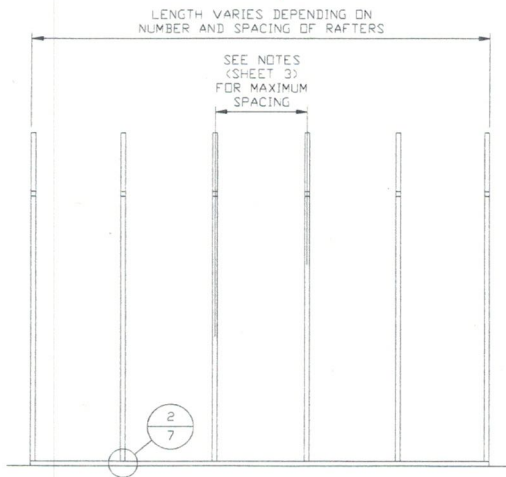
REV: 1



**TYPICAL RAFTER/COLUMN FRAME SECTION**  
SCALE: NTS



**TYPICAL RAFTER/COLUMN FRAME SECTION**  
SCALE: NTS



**TYPICAL RAFTER/COLUMN SIDE FRAMING SECTION**  
SCALE: NTS

**MOORE AND ASSOCIATES  
ENGINEERING AND CONSULTING, INC.**

DRAWN BY: JG

CHECKED BY: PH

PROJECT MGR: WSM

CLIENT: NC CARPORTS

NC CARPORTS AND GARAGES, LLC  
309 S. DEPOT STREET  
PILOT MOUNTAIN, NC 27041  
30'-0" x 16'-0" ENCLOSED STRUCTURE

DATE: 6-25-19

SCALE: NTS

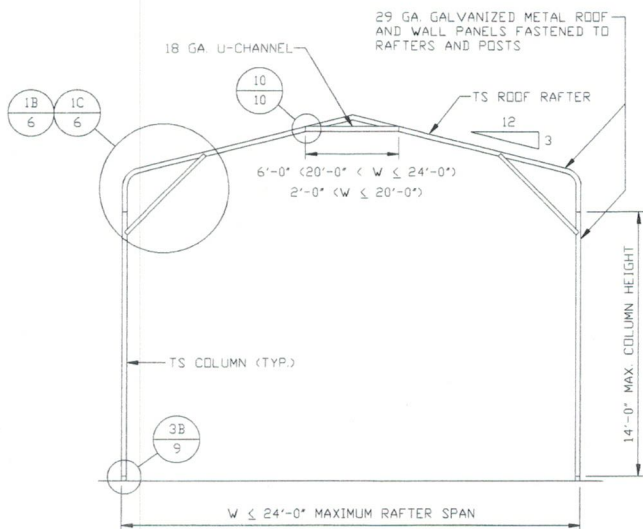
JOB NO:  
18315S/19179S

SHT. 4B

DWG. NO: SK-3

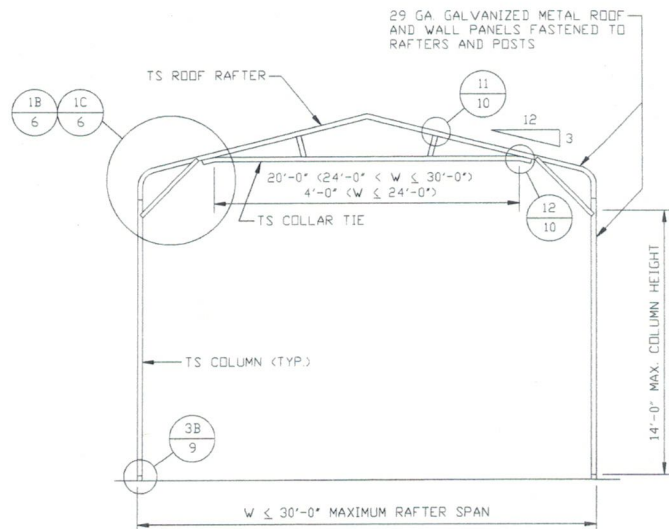
REV: 1

THIS DOCUMENT IS THE PROPERTY OF MOORE AND ASSOCIATES ENGINEERING AND CONSULTING. THE UNAUTHORIZED REPRODUCTION, COPYING, OR OTHERWISE USE OF THIS DOCUMENT IS STRICTLY PROHIBITED AND ANY INFRINGEMENT THEREUPON MAY BE SUBJECT TO LEGAL ACTION.



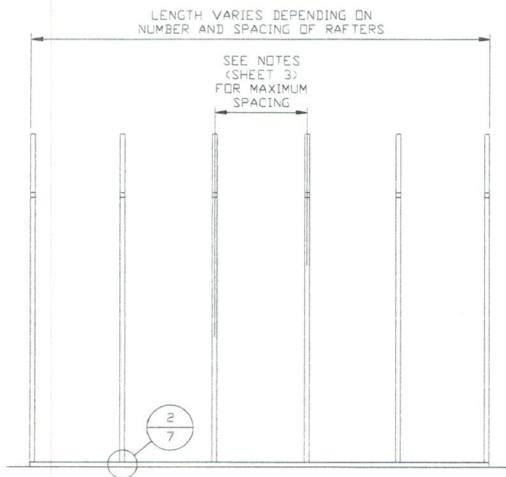
**TYPICAL RAFTER/COLUMN FRAME SECTION**

SCALE: NTS



**TYPICAL RAFTER/COLUMN FRAME SECTION**

SCALE: NTS



**TYPICAL RAFTER/COLUMN SIDE FRAMING SECTION**

SCALE: NTS

**MOORE AND ASSOCIATES  
ENGINEERING AND CONSULTING, INC.**

DRAWN BY: JG

CHECKED BY: PH

PROJECT MGR: WSM

CLIENT: NC CARPORTS

NC CARPORTS AND GARAGES, LLC  
309 S. DEPOT STREET  
PILOT MOUNTAIN, NC 27041  
30'-0" x 16'-0" ENCLOSED STRUCTURE

DATE: 6-25-19

SCALE: NTS

JOB NO:  
18315S/19179S

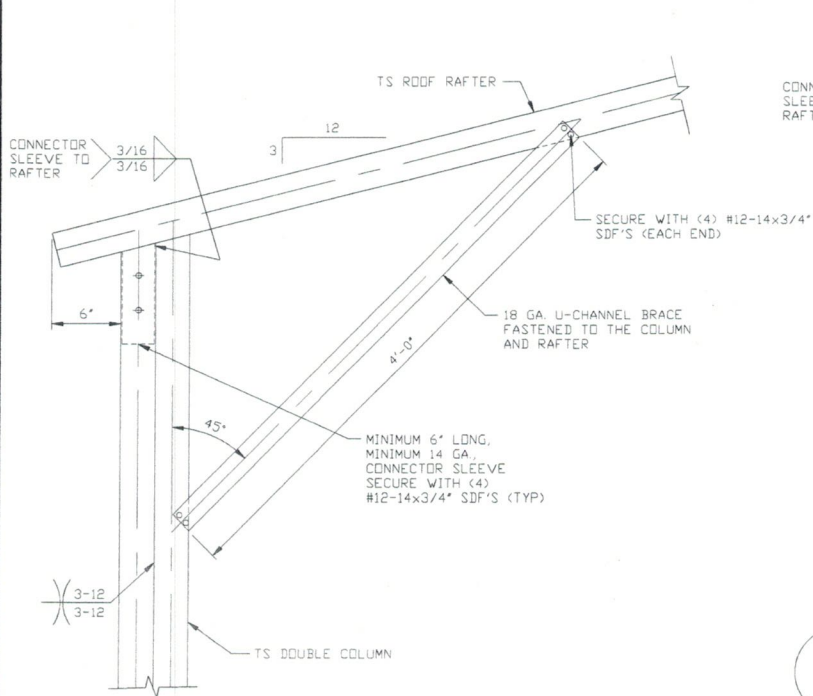
SHT. 4C

DWG. NO: SK-3

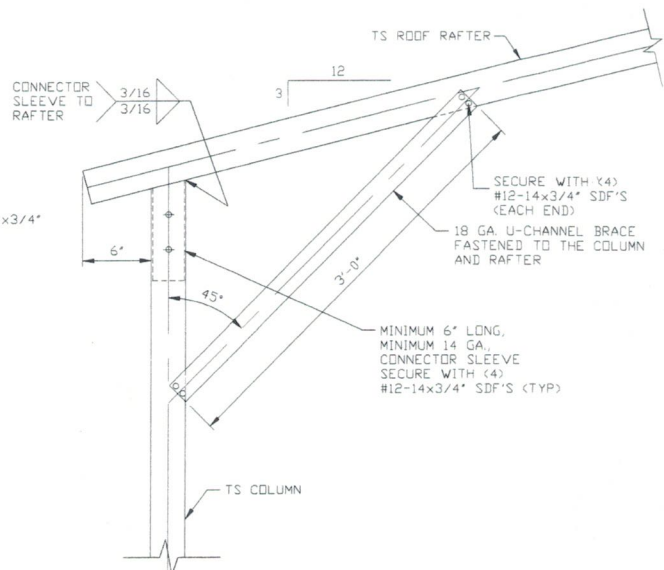
REV: 1

THIS DOCUMENT IS THE PROPERTY OF MOORE AND ASSOCIATES ENGINEERING AND CONSULTING. THE UNAUTHORIZED REPRODUCTION, COPYING, OR OTHERWISE USE OF THIS DOCUMENT IS STRICTLY PROHIBITED AND ANY INFRINGEMENT THEREUPON MAY BE SUBJECT TO LEGAL ACTION.

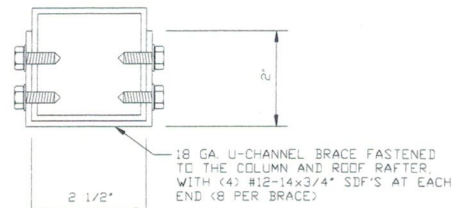




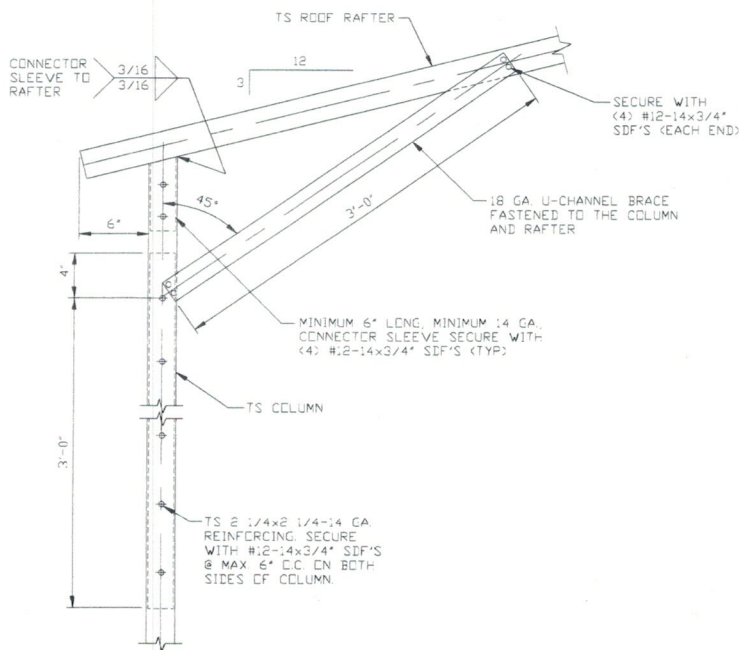
**1A**  
**BOX EAVE RAFTER/CORNER POST CONNECTION DETAIL FOR HEIGHTS 14'-0" < TO ≤ 16'-0"**  
 SCALE: NTS



**1C**  
**BOX EAVE RAFTER/CORNER POST CONNECTION DETAIL FOR HEIGHTS ≤ 12'-0"**  
 SCALE: NTS



**BRACE SECTION**  
 SCALE: NTS



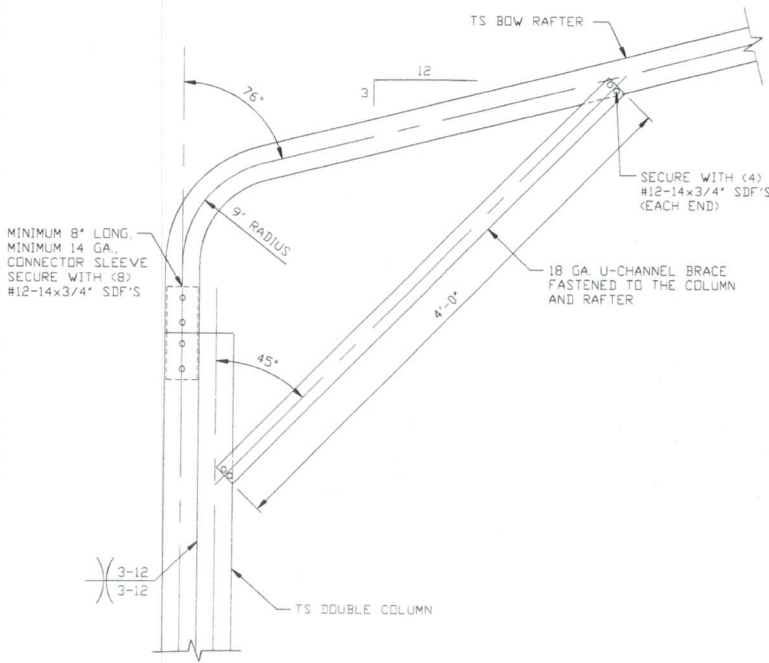
**1B**  
**BOX EAVE RAFTER/CORNER POST CONNECTION DETAIL FOR HEIGHTS 12'-0" < TO ≤ 14'-0"**  
 SCALE: NTS

**MOORE AND ASSOCIATES ENGINEERING AND CONSULTING, INC.**

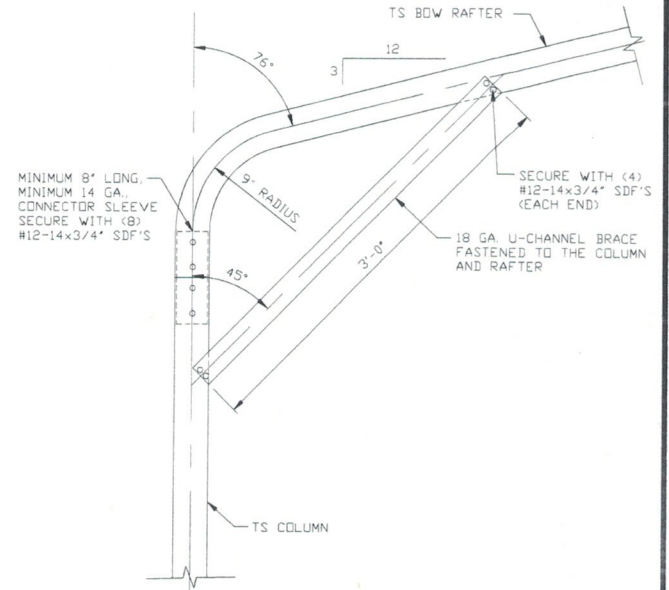
<b>DRAWN BY:</b> JG
<b>CHECKED BY:</b> PH
<b>PROJECT MGR:</b> WSM
<b>CLIENT:</b> NC CARPORTS

NC CARPORTS AND GARAGES, LLC 309 S. DEPOT STREET PILOT MOUNTAIN, NC 27041 30'-0" x 16'-0" ENCLOSED STRUCTURE			
<b>DATE:</b> 6-25-19	<b>SCALE:</b> NTS	<b>JOB NO:</b> 18315S/19179S	
<b>SHT.</b> 5	<b>DWG. NO:</b> SK-3	<b>REV.:</b> 1	

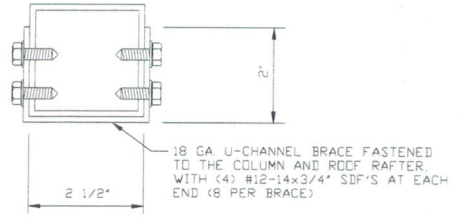
THIS DOCUMENT IS THE PROPERTY OF MOORE AND ASSOCIATES ENGINEERING AND CONSULTING. THE UNAUTHORIZED REPRODUCTION, COPYING, OR OTHERWISE USE OF THIS DOCUMENT IS STRICTLY PROHIBITED AND ANY INFRINGEMENT THEREUPON MAY BE SUBJECT TO LEGAL ACTION.



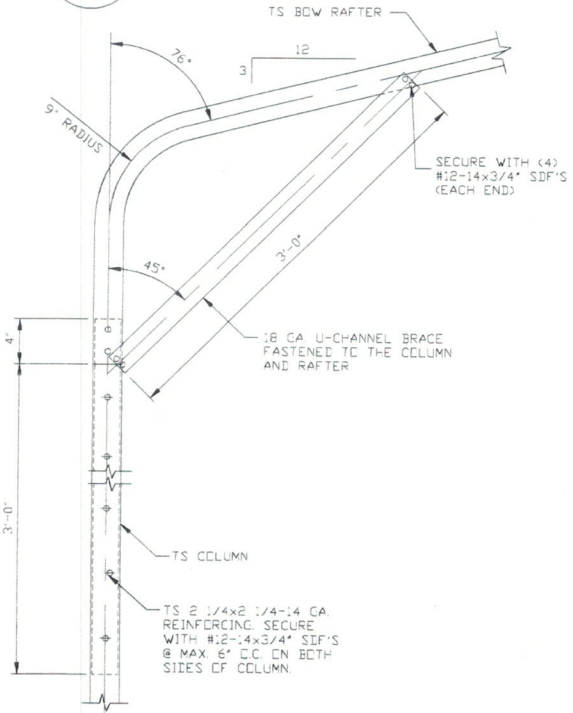
**1A** BOX EAVE RAFTER/CORNER POST CONNECTION DETAIL FOR HEIGHTS 14'-0" < TO <= 16'-0" SCALE: NTS



**1C** BOX EAVE RAFTER/CORNER POST CONNECTION DETAIL FOR HEIGHTS <= 12'-0" SCALE: NTS



**BRACE SECTION** SCALE: NTS



**1B** BOW RAFTER/CORNER POST CONNECTION DETAIL FOR HEIGHTS 12'-0" < TO <= 14'-0" SCALE: NTS

**MOORE AND ASSOCIATES ENGINEERING AND CONSULTING, INC.**

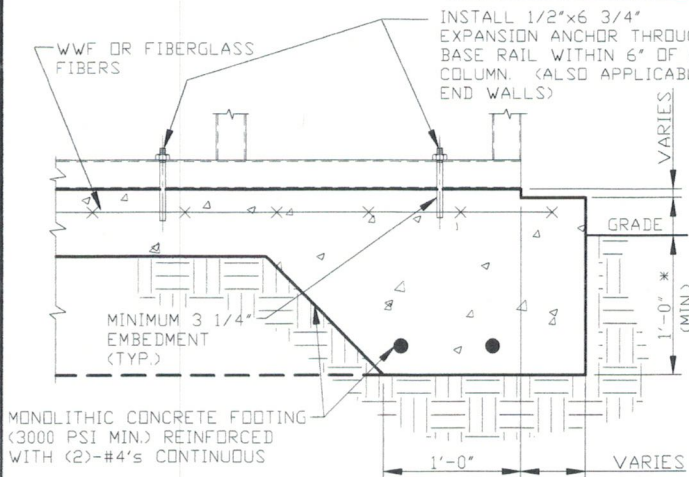
**DRAWN BY:** JG  
**CHECKED BY:** PH  
**PROJECT MGR:** WSM  
**CLIENT:** NC CARPORTS

NC CARPORTS AND GARAGES, LLC  
 309 S. DEPOT STREET  
 PILOT MOUNTAIN, NC 27041  
 30'-0" x 16'-0" ENCLOSED STRUCTURE  
**DATE:** 6-25-19  
**SHT.** 6  
**SCALE:** NTS  
**DWG. NO:** SK-3  
**JOB NO:** 18315S/19179S  
**REV.:** 1

THIS DOCUMENT IS THE PROPERTY OF MOORE AND ASSOCIATES ENGINEERING AND CONSULTING. THE UNAUTHORIZED REPRODUCTION, COPYING, OR OTHERWISE USE OF THIS DOCUMENT IS STRICTLY PROHIBITED AND ANY INFRINGEMENT THEREUPON MAY BE SUBJECT TO LEGAL ACTION.



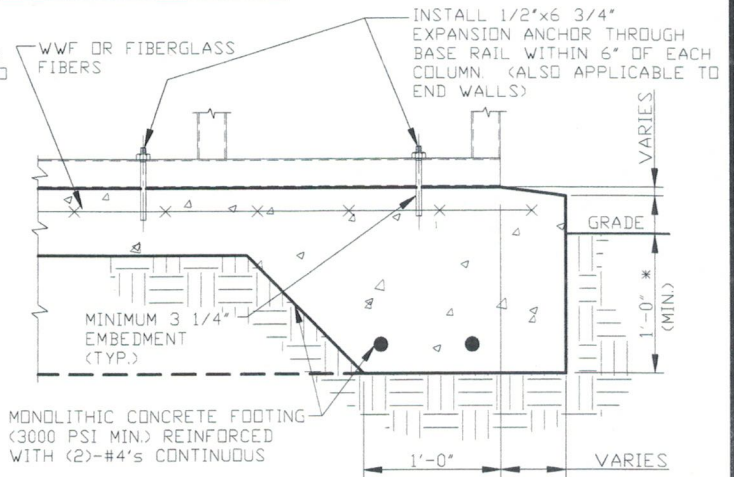
## BASE RAIL ANCHORAGE OPTIONS



2A

### CONCRETE MONOLITHIC SLAB BASE RAIL ANCHORAGE

SCALE: NTS  
MINIMUM ANCHOR EDGE DISTANCE IS 4".  
\* COORDINATE WITH LOCAL CODES/ORD.



2B

### CONCRETE MONOLITHIC SLAB BASE RAIL ANCHORAGE

SCALE: NTS  
MINIMUM ANCHOR EDGE DISTANCE IS 4".  
\* COORDINATE WITH LOCAL CODES/ORD.

### GENERAL NOTES

NOTE: CONCRETE MONOLITHIC SLAB DESIGN BASED ON MINIMUM SOIL BEARING CAPACITY OF 1,500 PSF.

#### CONCRETE:

CONCRETE SHALL HAVE A MINIMUM SPECIFIED COMPRESSIVE STRENGTH OF 3,000 PSI AT 28 DAYS.

#### COVER OVER REINFORCING STEEL:

FOR FOUNDATIONS, MINIMUM CONCRETE COVER OVER REINFORCING BARS SHALL BE PER ACI-318.

3" IN FOUNDATIONS WHERE THE CONCRETE IS CAST AGAINST AND PERMANENTLY IN CONTACT WITH THE EARTH OR WEATHER, AND 1 1/2" ELSEWHERE.

#### REINFORCING STEEL:

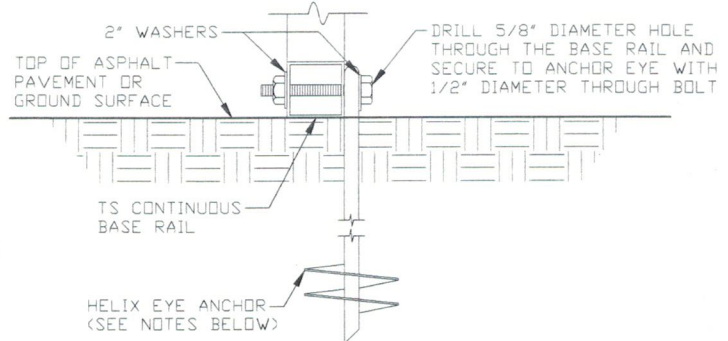
THE TURNDOWN REINFORCING STEEL SHALL BE ASTM A615 GRADE 60. THE SLAB REINFORCEMENT SHALL BE WELDED WIRE FABRIC MEETING ASTM A185 OR FIBERGLASS FIBER REINFORCEMENT.

#### REINFORCEMENT MAY BE BENT IN THE SHOP OR THE FIELD PROVIDED:

1. REINFORCEMENT IS BENT COLD.
2. THE DIAMETER OF THE BEND, MEASURED ON THE INSIDE OF THE BAR, IS NOT LESS THAN SIX-BAR DIAMETERS.
3. REINFORCEMENT PARTIALLY EMBEDDED IN CONCRETE SHALL NOT BE FIELD BENT.

#### HELIX ANCHOR NOTES:

1. FOR VERY DENSE AND/OR CEMENTED SANDS, COARSE GRAVEL AND COBBLES, CALICHE, PRELOADED SILTS AND CLAYS, USE: MINIMUM (2) 4" HELICES WITH MINIMUM 30" EMBEDMENT OR SINGLE 6" HELIX WITH MINIMUM 50" EMBEDMENT.
2. FOR CORAL USE MINIMUM (2) 4" HELICES WITH MINIMUM 30" EMBEDMENT OR SINGLE 6" HELIX WITH MINIMUM 50" EMBEDMENT.
3. FOR MEDIUM DENSE COARSE SANDS, SANDY GRAVELS, VERY STIFF SILTS, AND CLAYS USE MINIMUM (2) 4" HELICES WITH MINIMUM 30" INCH EMBEDMENT OR SINGLE 6" HELIX WITH MINIMUM 50" EMBEDMENT.
4. FOR LOOSE TO MEDIUM DENSE SANDS, FIRM TO STIFF CLAYS AND SILTS ALLUVIAL FILL, USE MINIMUM (2) 6" HELICES WITH MINIMUM 50" EMBEDMENT.
5. FOR VERY LOSE TO MEDIUM DENSE SANDS, FIRM TO STIFFER CLAYS AND SILTS ALLUVIAL FILL, USE MINIMUM (2) 8" HELICES WITH MINIMUM 60" EMBEDMENT.



2C

### GROUND BASE HELIX ANCHORAGE

SCALE: NTS  
(CAN BE USED FOR ASPHALT)

**MOORE AND ASSOCIATES  
ENGINEERING AND CONSULTING, INC.**

DRAWN BY: JG

CHECKED BY: PH

PROJECT MGR: WSM

CLIENT: NC CARPORTS

NC CARPORTS AND GARAGES, LLC  
309 S. DEPOT STREET  
PILOT MOUNTAIN, NC 27041  
30'-0" x 16'-0" ENCLOSED STRUCTURE

DATE: 6-25-19

SHT. 7

SCALE: NTS

DWG. NO: SK-3

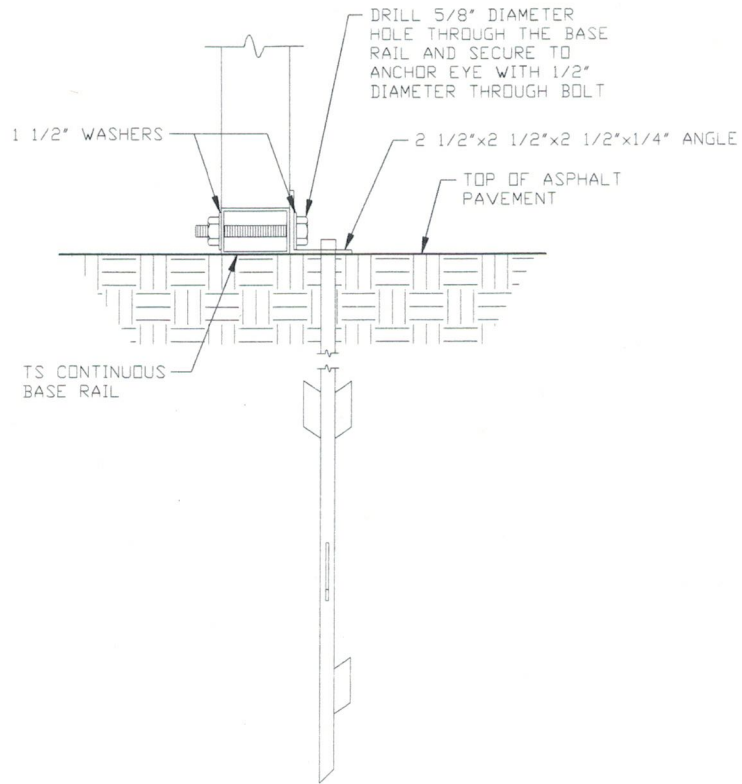
JOB NO:  
18315S/19179S

REV: 1

THIS DOCUMENT IS THE PROPERTY OF MOORE AND ASSOCIATES ENGINEERING AND CONSULTING. THE UNAUTHORIZED REPRODUCTION, COPYING, OR OTHERWISE USE OF THIS DOCUMENT IS STRICTLY PROHIBITED AND ANY INFRINGEMENT THEREUPON MAY BE SUBJECT TO LEGAL ACTION.



## BASE RAIL ANCHORAGE OPTIONS



2D

**ASPHALT BASE ANCHORAGE**  
SCALE: NTS

**MOORE AND ASSOCIATES  
ENGINEERING AND CONSULTING, INC.**

DRAWN BY: JG

CHECKED BY: PH

PROJECT MGR: WSM

CLIENT: NC CARPORTS

NC CARPORTS AND GARAGES, LLC  
309 S. DEPOT STREET  
PILOT MOUNTAIN, NC 27041  
30'-0" x 16'-0" ENCLOSED STRUCTURE

DATE: 6-25-19

SHT. 7A

SCALE: NTS

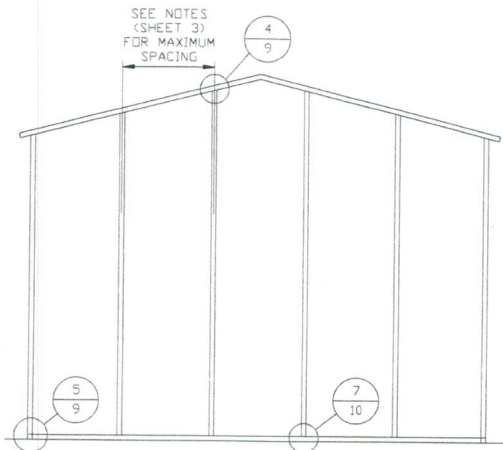
DWG. NO: SK-3

JOB NO:  
18315S/19179S

REV: 1

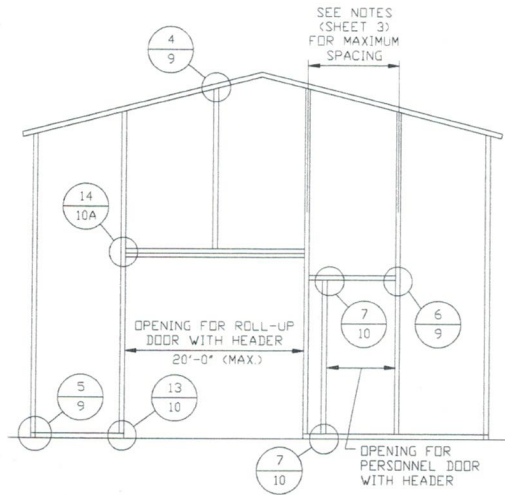
THIS DOCUMENT IS THE PROPERTY OF MOORE AND ASSOCIATES ENGINEERING AND CONSULTING. THE UNAUTHORIZED REPRODUCTION, COPYING, OR OTHERWISE USE OF THIS DOCUMENT IS STRICTLY PROHIBITED AND ANY INFRINGEMENT THEREUPON MAY BE SUBJECT TO LEGAL ACTION.

# BOX EAVE RAFTER END WALL AND SIDE WALL OPENINGS



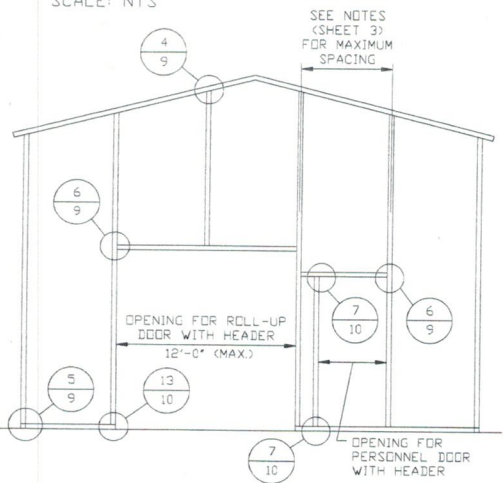
**TYPICAL BOX EAVE RAFTER  
END WALL FRAMING SECTION**

SCALE: NTS



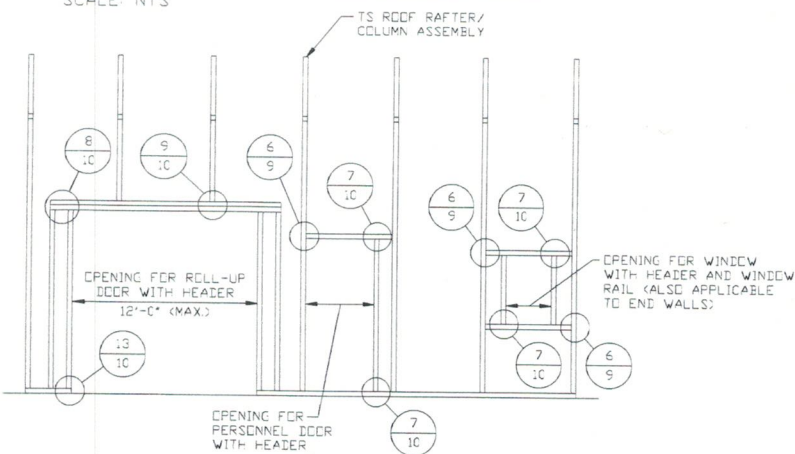
**TYPICAL BOX EAVE RAFTER END  
WALL OPENINGS FRAMING SECTION**

SCALE: NTS



**TYPICAL BOX EAVE RAFTER END  
WALL OPENINGS FRAMING SECTION**

SCALE: NTS



**TYPICAL BOX EAVE RAFTER  
SIDE WALL OPENINGS FRAMING SECTION**

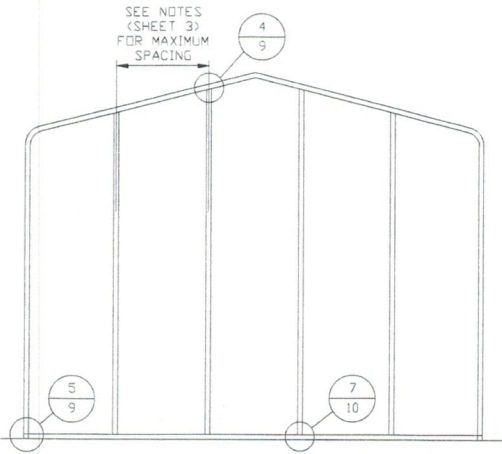
SCALE: NTS

**MOORE AND ASSOCIATES  
ENGINEERING AND CONSULTING, INC.**

<b>DRAWN BY:</b> JG	NC CARPORTS AND GARAGES, LLC 309 S. DEPOT STREET PILOT MOUNTAIN, NC 27041 30'-0" x 16'-0" ENCLOSED STRUCTURE		
<b>CHECKED BY:</b> PH			
<b>PROJECT MGR:</b> WSM	<b>DATE:</b> 6-25-19	<b>SCALE:</b> NTS	<b>JOB NO:</b> 183155/19179S
<b>CLIENT:</b> NC CARPORTS	<b>SHT.</b> 8	<b>DWG. NO:</b> SK-3	<b>REV:</b> 1

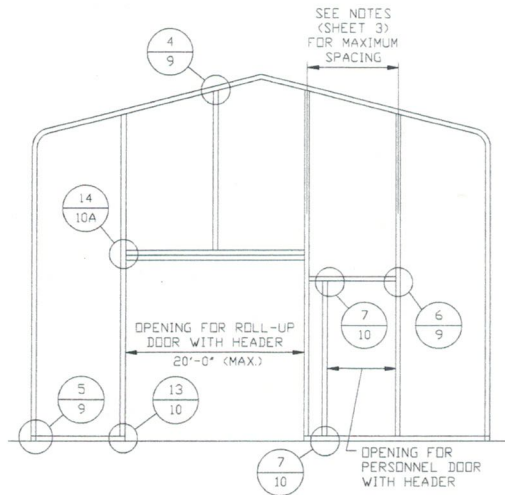
THIS DOCUMENT IS THE PROPERTY OF MOORE AND ASSOCIATES ENGINEERING AND CONSULTING. THE UNAUTHORIZED REPRODUCTION, COPYING, OR OTHERWISE USE OF THIS DOCUMENT IS STRICTLY PROHIBITED AND ANY INFRINGEMENT THEREUPON MAY BE SUBJECT TO LEGAL ACTION.

# BOX EAVE RAFTER END WALL AND SIDE WALL OPENINGS



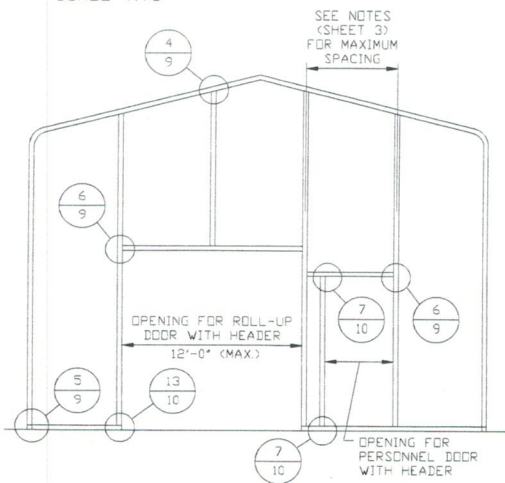
**TYPICAL BOX EAVE RAFTER  
END WALL FRAMING SECTION**

SCALE: NTS



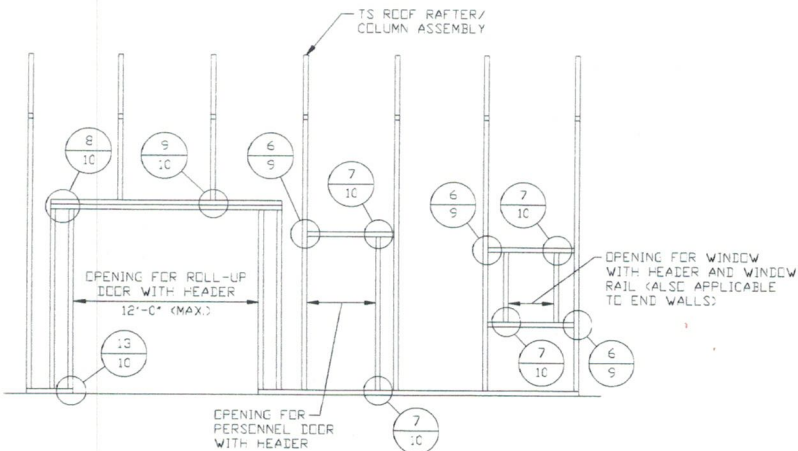
**TYPICAL BOX EAVE RAFTER END  
WALL OPENINGS FRAMING SECTION**

SCALE: NTS



**TYPICAL BOX EAVE RAFTER END  
WALL OPENINGS FRAMING SECTION**

SCALE: NTS



**TYPICAL BOX EAVE RAFTER  
SIDE WALL OPENINGS FRAMING SECTION**

SCALE: NTS

**MOORE AND ASSOCIATES  
ENGINEERING AND CONSULTING, INC.**

**DRAWN BY: JG**

**CHECKED BY: PH**

**PROJECT MGR: WSM**

**CLIENT: NC CARPORTS**

NC CARPORTS AND GARAGES, LLC  
309 S. DEPOT STREET  
PILOT MOUNTAIN, NC 27041  
30'-0" x 16'-0" ENCLOSED STRUCTURE

**DATE: 6-25-19**

**SHT. 8A**

**SCALE: NTS**

**DWG. NO: SK-3**

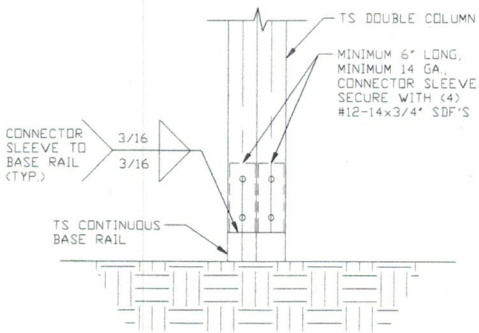
**JOB NO:  
18315S/19179S**

**REV: 1**

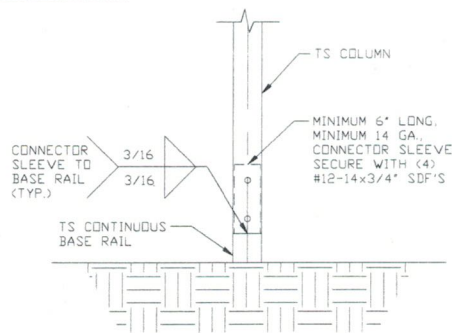
THIS DOCUMENT IS THE PROPERTY OF MOORE AND ASSOCIATES ENGINEERING AND CONSULTING. THE UNAUTHORIZED REPRODUCTION, COPYING, OR OTHERWISE USE OF THIS DOCUMENT IS STRICTLY PROHIBITED AND ANY INFRINGEMENT THEREUPON MAY BE SUBJECT TO LEGAL ACTION.



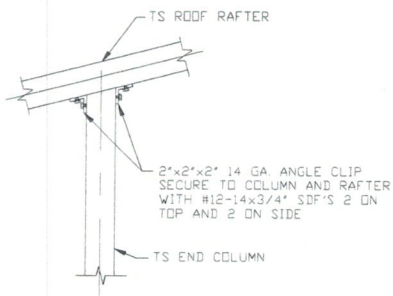
# CONNECTION DETAILS



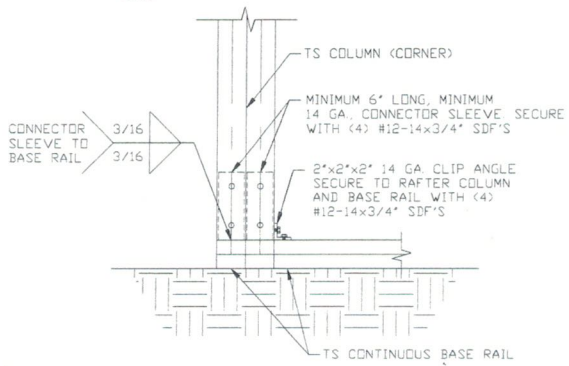
**3A**  
**POST/BASE RAIL CONNECTION DETAIL**  
 SCALE: NTS



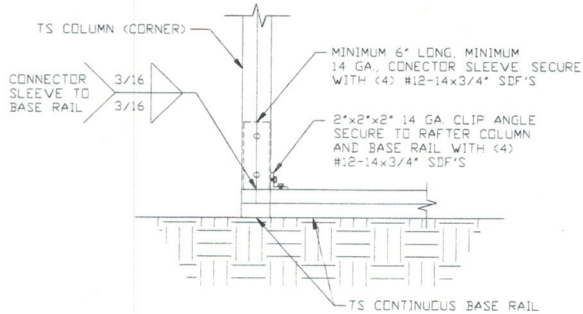
**3B**  
**POST/BASE RAIL CONNECTION DETAIL**  
 SCALE: NTS



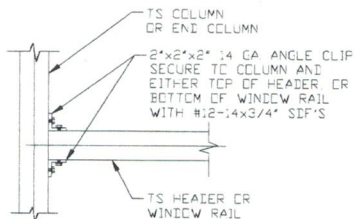
**4**  
**END COLUMN/RAFTER CONNECTION DETAIL**  
 SCALE: NTS



**5A**  
**END COLUMN/BASE RAIL CONNECTION DETAIL**  
 SCALE: NTS



**5B**  
**END COLUMN/BASE RAIL CONNECTION DETAIL**  
 SCALE: NTS



**6**  
**COLUMN OR WINDOW RAIL TO POST CONNECTION DETAIL**  
 SCALE: NTS

**MOORE AND ASSOCIATES  
 ENGINEERING AND CONSULTING, INC.**

**DRAWN BY: JG**

**CHECKED BY: PH**

**PROJECT MGR: WSM**

**CLIENT: NC CARPORTS**

NC CARPORTS AND GARAGES, LLC  
 309 S. DEPOT STREET  
 PILOT MOUNTAIN, NC 27041  
 30'-0" x 16'-0" ENCLOSED STRUCTURE

**DATE: 6-25-19**

**SHT. 9**

**SCALE: NTS**

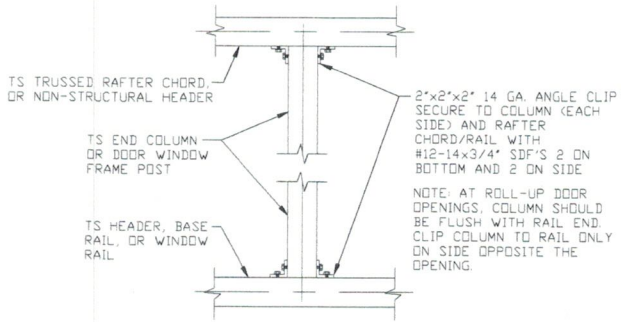
**DWG. NO: SK-3**

**JOB NO:  
 18315S/19179S**

**REV: 1**

THIS DOCUMENT IS THE PROPERTY OF MOORE AND ASSOCIATES ENGINEERING AND CONSULTING. THE UNAUTHORIZED REPRODUCTION, COPYING, OR OTHERWISE USE OF THIS DOCUMENT IS STRICTLY PROHIBITED AND ANY INFRINGEMENT THEREUPON MAY BE SUBJECT TO LEGAL ACTION.

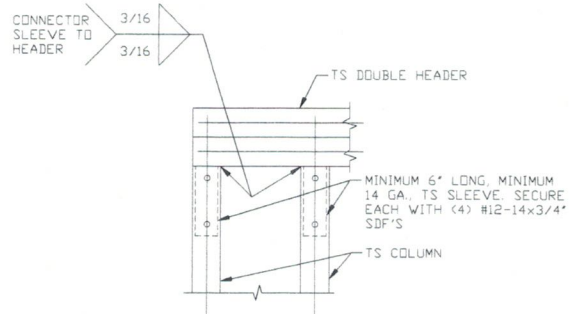
# CONNECTION DETAILS



7

## COLUMN TO HEADER, BASE RAIL, OR WINDOW RAIL CONNECTION DETAIL

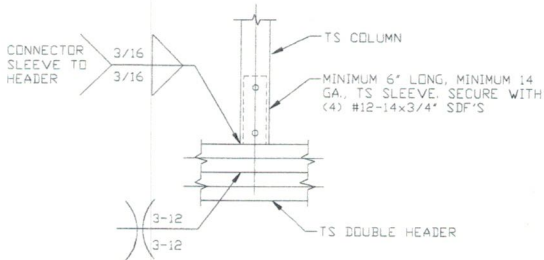
SCALE: NTS



8

## DOUBLE HEADER/COLUMN CONNECTION DETAIL

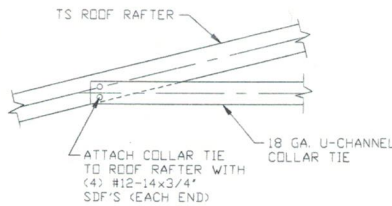
SCALE: NTS



9

## COLUMN/DOUBLE HEADER CONNECTION DETAIL

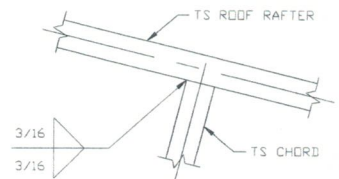
SCALE: NTS



10

## COLLAR TIE CONNECTION DETAIL

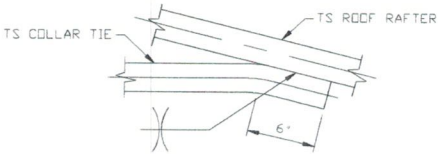
SCALE: NTS



11

## RAFTER TO CHORD CONNECTION DETAIL

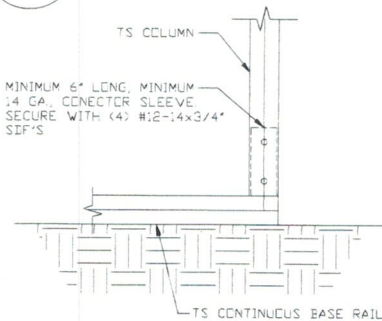
SCALE: NTS



12

## COLLAR TIE CONNECTION DETAIL

SCALE: NTS



13

## COLUMN/BASE RAIL CONNECTION DETAIL

SCALE: NTS

**MOORE AND ASSOCIATES  
ENGINEERING AND CONSULTING, INC.**

DRAWN BY: JG

CHECKED BY: PH

PROJECT MGR: WSM

CLIENT: NC CARPORTS

NC CARPORTS AND GARAGES, LLC  
309 S. DEPOT STREET  
PILOT MOUNTAIN, NC 27041  
30'-0"X16'-0" ENCLOSED STRUCTURE

DATE: 6-25-19

SHT. 10

SCALE: NTS

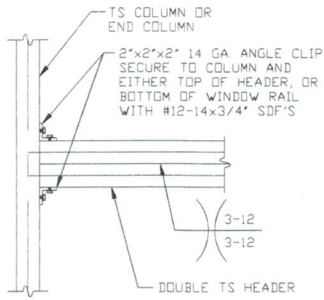
DWG. NO: SK-3

JOB NO:  
18315S/19179S

REV: 1

THIS DOCUMENT IS THE PROPERTY OF MOORE AND ASSOCIATES ENGINEERING AND CONSULTING. THE UNAUTHORIZED REPRODUCTION, COPYING, OR OTHERWISE USE OF THIS DOCUMENT IS STRICTLY PROHIBITED AND ANY INFRINGEMENT THEREUPON MAY BE SUBJECT TO LEGAL ACTION.

## CONNECTION DETAILS



**DOUBLE HEADER TO COLUMN  
CONNECTION DETAIL**

14

SCALE: NTS

**MOORE AND ASSOCIATES  
ENGINEERING AND CONSULTING, INC.**

DRAWN BY: JG

CHECKED BY: PH

PROJECT MGR: WSM

CLIENT: NC CARPORTS

NC CARPORTS AND GARAGES, LLC  
309 S. DEPOT STREET  
PILOT MOUNTAIN, NC 27041  
30'-0" x 16'-0" ENCLOSED STRUCTURE

DATE: 6-25-19

SCALE: NTS

JOB NO:  
183155/19179S

SHT. 10A

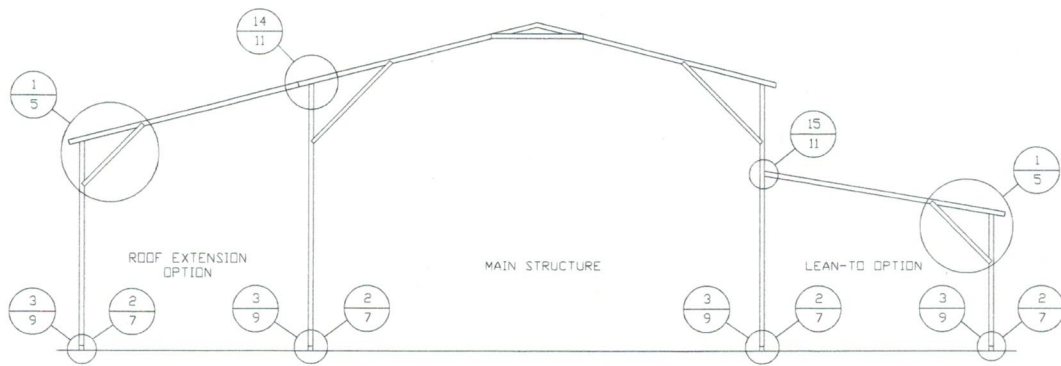
DWG. NO: SK-3

REV: 1

THIS DOCUMENT IS THE PROPERTY OF MOORE AND ASSOCIATES ENGINEERING AND CONSULTING. THE UNAUTHORIZED REPRODUCTION, COPYING, OR OTHERWISE USE OF THIS DOCUMENT IS STRICTLY PROHIBITED AND ANY INFRINGEMENT THEREUPON MAY BE SUBJECT TO LEGAL ACTION.



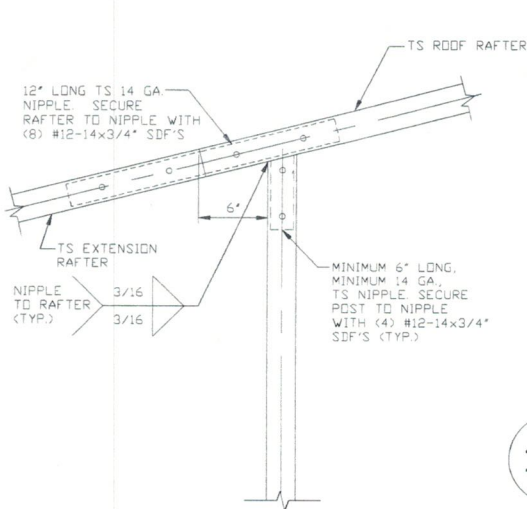
# BOX EAVE RAFTER LEAN-TO OPTIONS



## TYPICAL BOX EAVE RAFTER LEAN-TO OPTIONS FRAMING SECTION (BOTH OPTIONS SHOWN)

SCALE: NTS

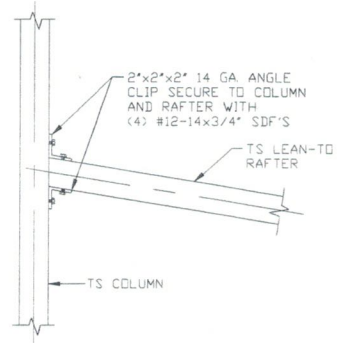
MAXIMUM WIDTH OF SINGLE MEMBER ROOF EXTENSION AND LEAN-TO OPTION IS 12'-0".  
 MAXIMUM WIDTH OF DOUBLE MEMBER ROOF EXTENSION AND LEAN-TO OPTION IS 16'-0".



**15A**

### LEAN-TO RAFTER TO RAFTER POST CONNECTION DETAIL FOR WIDTHS ≤ 12'-0"

SCALE: NTS



**15B**

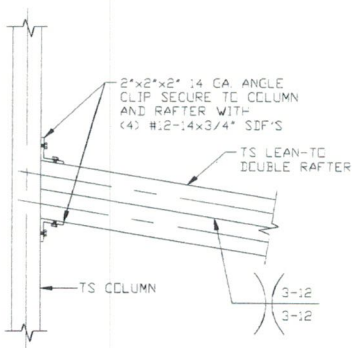
### LEAN-TO RAFTER TO RAFTER POST CONNECTION DETAIL FOR WIDTHS ≤ 12'-0"

SCALE: NTS

**14**

### ROOF EXTENSION RAFTER/CORNER POST DETAIL FOR WIDTHS ≤ 12'-0"

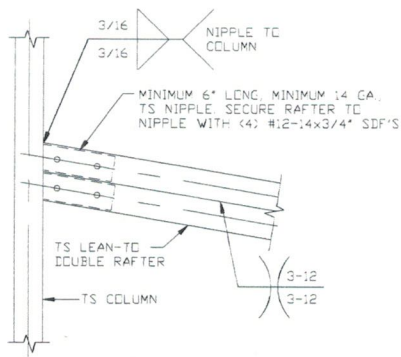
SCALE: NTS



**15C**

### LEAN-TO RAFTER TO RAFTER POST CONNECTION DETAIL FOR WIDTHS ≤ 16'-0"

SCALE: NTS



**15D**

### LEAN-TO RAFTER TO RAFTER POST CONNECTION DETAIL FOR WIDTHS ≤ 16'-0"

SCALE: NTS

**MOORE AND ASSOCIATES  
 ENGINEERING AND CONSULTING, INC.**

**DRAWN BY:** JG

**CHECKED BY:** PH

**PROJECT MGR:** WSM

**CLIENT:** NC CARPORTS

NC CARPORTS AND GARAGES, LLC  
 309 S. DEPOT STREET  
 PILOT MOUNTAIN, NC 27041  
 30'-0" x 16'-0" ENCLOSED STRUCTURE

**DATE:** 6-25-19

**SHT.** 11

**SCALE:** NTS

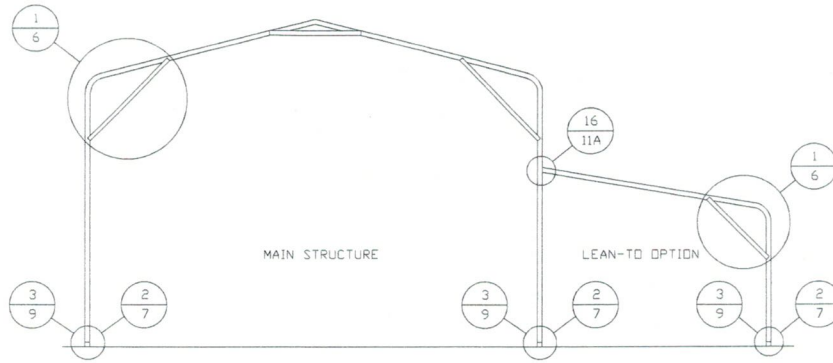
**DWG. NO.:** SK-3

**JOB NO.:** 18315S/19179S

**REV.:** 1

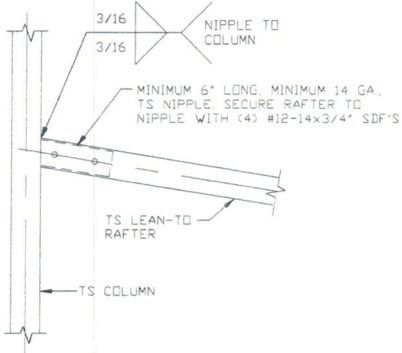
THIS DOCUMENT IS THE PROPERTY OF MOORE AND ASSOCIATES ENGINEERING AND CONSULTING. THE UNAUTHORIZED REPRODUCTION, COPYING, OR OTHERWISE USE OF THIS DOCUMENT IS STRICTLY PROHIBITED AND ANY INFRINGEMENT THEREUPON MAY BE SUBJECT TO LEGAL ACTION.

# BOW EAVE RAFTER LEAN-TO OPTIONS



## TYPICAL BOW EAVE RAFTER LEAN-TO OPTIONS FRAMING SECTION

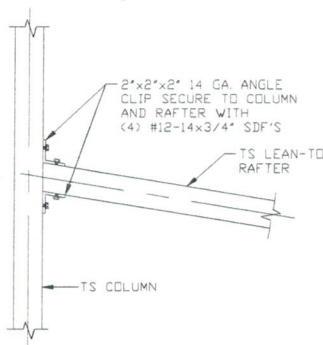
SCALE: NTS  
 MAXIMUM WIDTH OF SINGLE MEMBER LEAN-TO OPTION IS 12'-0".  
 MAXIMUM WIDTH OF DOUBLE MEMBER LEAN-TO OPTION IS 16'-0"



16A

**LEAN-TO RAFTER TO  
 RAFTER POST  
 CONNECTION DETAIL  
 FOR WIDTHS  $\leq 12'-0''$**

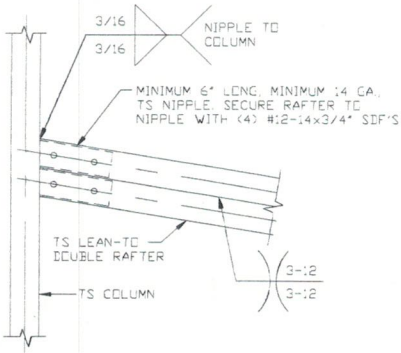
SCALE: NTS



16B

**LEAN-TO RAFTER  
 TO RAFTER POST  
 CONNECTION DETAIL  
 FOR WIDTHS  $\leq 12'-0''$**

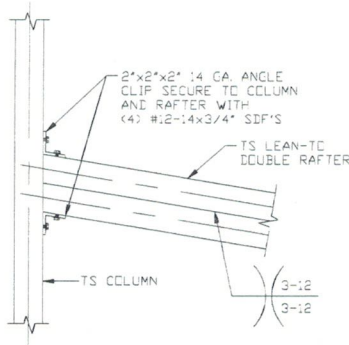
SCALE: NTS



16C

**LEAN-TO RAFTER TO  
 RAFTER POST  
 CONNECTION DETAIL  
 FOR WIDTHS  $\leq 16'-0''$**

SCALE: NTS



16D

**LEAN-TO RAFTER  
 TO RAFTER POST  
 CONNECTION DETAIL  
 FOR WIDTHS  $< 16'-0''$**

SCALE: NTS

**MOORE AND ASSOCIATES  
 ENGINEERING AND CONSULTING, INC.**

DRAWN BY: JG

CHECKED BY: PH

PROJECT MGR: WSM

CLIENT: NC CARPORTS

NC CARPORTS AND GARAGES, LLC  
 309 S. DEPOT STREET  
 PILOT MOUNTAIN, NC 27041  
 30'-0" x 16'-0" ENCLOSED STRUCTURE

DATE: 6-25-19

SHT. 11A

SCALE: NTS

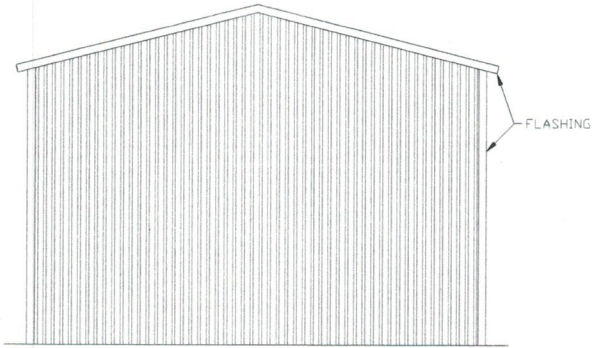
DWG. NO: SK-3

JOB NO:  
 18315S/19179S

REV: 1

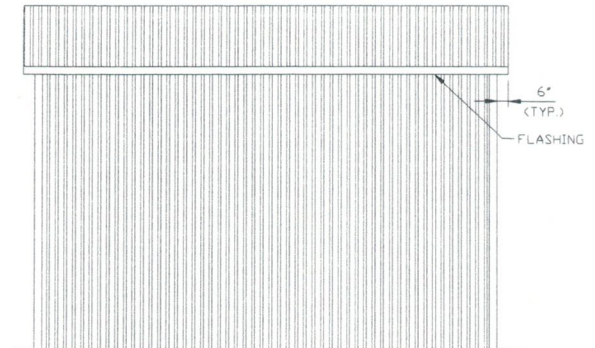
THIS DOCUMENT IS THE PROPERTY OF MOORE AND ASSOCIATES ENGINEERING AND CONSULTING. THE UNAUTHORIZED REPRODUCTION, COPYING, OR OTHERWISE USE OF THIS DOCUMENT IS STRICTLY PROHIBITED AND ANY INFRINGEMENT THEREUPON MAY BE SUBJECT TO LEGAL ACTION.

## BOX EAVE RAFTER VERTICAL ROOF/SIDING OPTION



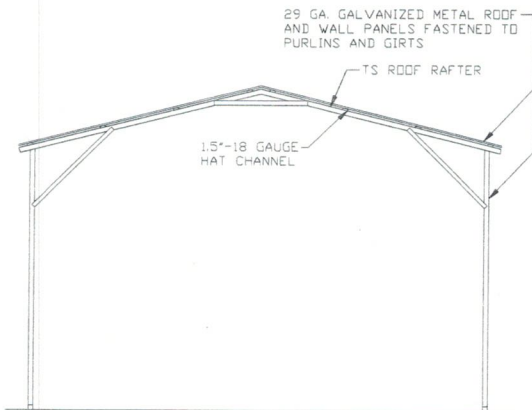
**TYPICAL END ELEVATION  
VERTICAL ROOF/SIDING**

SCALE: NTS



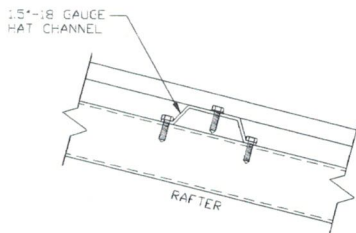
**TYPICAL SIDE ELEVATION  
VERTICAL ROOF/SIDING**

SCALE: NTS



**TYPICAL SECTION  
VERTICAL ROOF/SIDING OPTION**

SCALE: NTS



**PANEL ATTACHMENT**

(ALTERNATE FOR VERTICAL ROOF PANELS)  
SCALE: NTS

**MOORE AND ASSOCIATES  
ENGINEERING AND CONSULTING, INC.**

DRAWN BY: JG

CHECKED BY: PH

PROJECT MGR: WSM

CLIENT: NC CARPORTS

NC CARPORTS AND GARAGES, LLC  
309 S. DEPOT STREET  
PILOT MOUNTAIN, NC 27041  
30'-0" x 16'-0" ENCLOSED STRUCTURE

DATE: 6-25-19

SHT. 12

SCALE: NTS

DWG. NO: SK-3

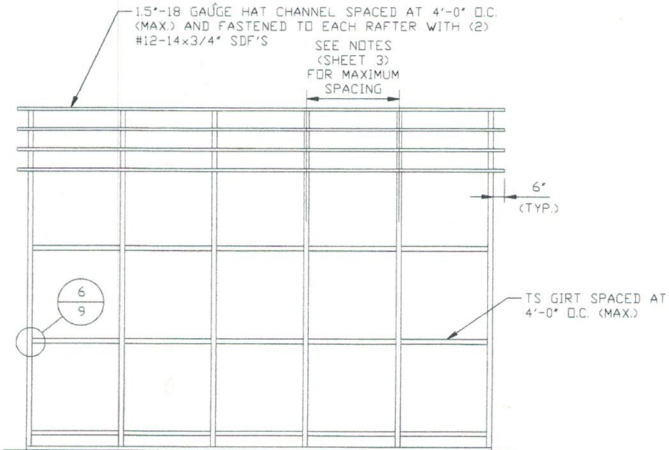
JOB NO:  
18315S/19179S

REV: 1

THIS DOCUMENT IS THE PROPERTY OF MOORE AND ASSOCIATES ENGINEERING AND CONSULTING. THE UNAUTHORIZED REPRODUCTION, COPYING, OR OTHERWISE USE OF THIS DOCUMENT IS STRICTLY PROHIBITED AND ANY INFRINGEMENT THEREUPON MAY BE SUBJECT TO LEGAL ACTION.



## BOX EAVE RAFTER VERTICAL ROOF/SIDING OPTION



**TYPICAL FRAMING SECTION  
VERTICAL ROOF/SIDING OPTION  
WITH TS GIRTS**

SCALE: NTS

**MOORE AND ASSOCIATES  
ENGINEERING AND CONSULTING, INC.**

DRAWN BY: JG

CHECKED BY: PH

PROJECT MGR: WSM

CLIENT: NC CARPORTS

NC CARPORTS AND GARAGES, LLC  
309 S. DEPOT STREET  
PILOT MOUNTAIN, NC 27041  
30'-0" x 16'-0" ENCLOSED STRUCTURE

DATE: 6-25-19

SCALE: NTS

JOB NO:  
18315S/19179S

SHT. 12A

DWG. NO: SK-3

REV: 1

THIS DOCUMENT IS THE PROPERTY OF MOORE AND ASSOCIATES ENGINEERING AND CONSULTING. THE UNAUTHORIZED REPRODUCTION, COPYING, OR OTHERWISE USE OF THIS DOCUMENT IS STRICTLY PROHIBITED AND ANY INFRINGEMENT THEREUPON MAY BE SUBJECT TO LEGAL ACTION.