

Trenco

818 Soundside Rd
Edenton, NC 27932

Re: J0918-4435
Jason Price / Campbell Pointe Bldg. 26

The truss drawing(s) referenced below have been prepared by Truss Engineering Co. under my direct supervision based on the parameters provided by Comtech, Inc - Fayetteville.

Pages or sheets covered by this seal: E12370822 thru E12370872

My license renewal date for the state of North Carolina is December 31, 2018.

North Carolina COA: C-0844



October 31, 2018

Gilbert, Eric

IMPORTANT NOTE: Truss Engineer's responsibility is solely for design of individual trusses based upon design parameters shown on referenced truss drawings. Parameters have not been verified as appropriate for any use. Any location identification specified is for file reference only and has not been used in preparing design. Suitability of truss designs for any particular building is the responsibility of the building designer, not the Truss Engineer, per ANSI/TPI-1, Chapter 2.

Job J0918-4435	Truss A01	Truss Type HIP GIRDER	Qty 1	Ply 2	Jason Price / Campbell Pointe Bldg. 26	E12370822
-------------------	--------------	--------------------------	----------	----------	--	-----------

Comtech, Inc., Fayetteville, NC 28309

8.130 s Mar 11 2018 MiTek Industries, Inc. Wed Oct 31 12:57:14 2018 Page 1

ID:ZzXTyMvxB55ZLn?FA7qN0rzLZck-5berikGq4vljA3zns4jHF2Y5phVQXMIykSzDlyNuE3

Job Reference (optional)

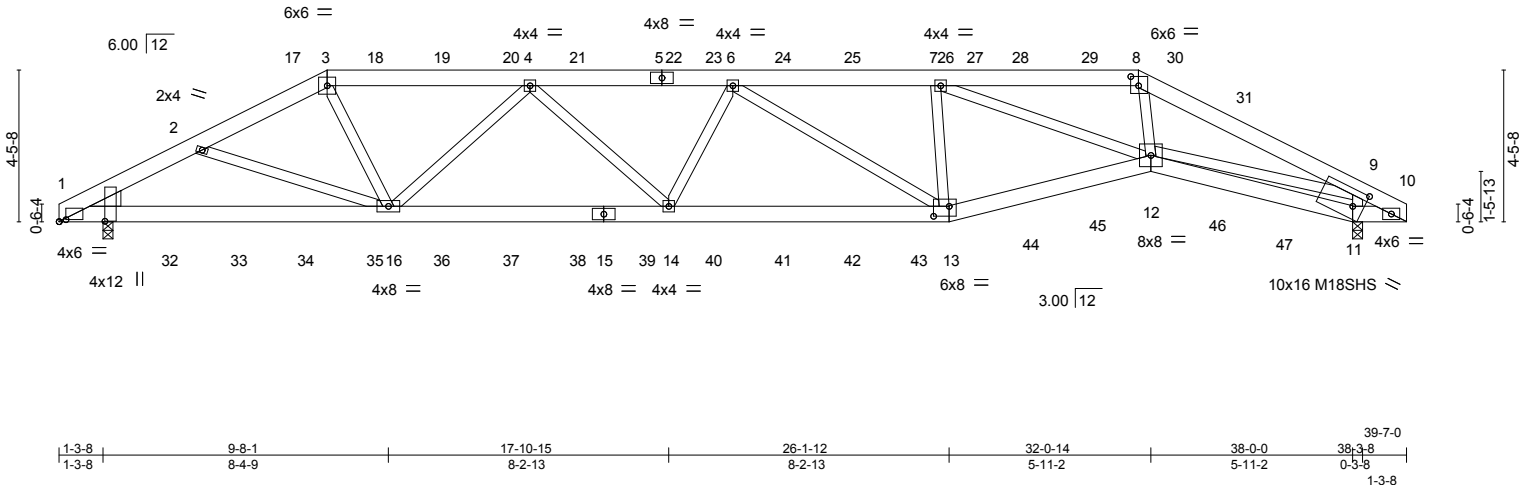
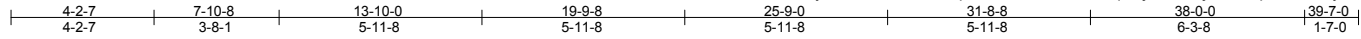


Plate Offsets (X,Y)--	[1:0-0-2,1-4-2], [1:0-2-6,0-0-11], [8:0-2-12,0-3-4], [11:0-3-12,0-5-12], [13:0-5-8,0-3-8]
-----------------------	---

LOADING (psf)	SPACING-	CSI.	DEFL.	PLATES	GRIP
TCLL 20.0	Plate Grip DOL 1.15	TC 0.82	in (loc) l/defl L/d	MT20	244/190
TCDL 10.0	Lumber DOL 1.15	BC 0.52	Vert(LL) -0.15 13-14 >999 360	M18SHS	244/190
BCLL 0.0 *	Rep Stress Incr NO	WB 0.88	Vert(TL) -0.39 13-14 >999 240		
BCDL 10.0	Code IRC2009/TPI2007	Matrix-S	Horz(TL) 0.14 11 n/a n/a		
			Wind(LL) 0.16 13-14 >999 240	Weight: 536 lb	FT = 20%

LUMBER-
 TOP CHORD 2x6 SP No.1
 BOT CHORD 2x6 SP No.1
 WEBS 2x4 SP No.3
 WEDGE
 Left: 2x6 SP No.1

BRACING-
 TOP CHORD Structural wood sheathing directly applied or 6-0-0 oc purlins.
 BOT CHORD Rigid ceiling directly applied or 10-0-0 oc bracing.

REACTIONS. (lb/size) 11=2413/0-3-8, 1=2308/0-3-8
 Max Horz 1=-51(LC 3)
 Max Uplift 11=-608(LC 6), 1=-518(LC 4)

FORCES. (lb) - Max. Comp./Max. Ten. - All forces 250 (lb) or less except when shown.
 TOP CHORD 1-2=-4251/1046, 2-3=-4035/1051, 3-4=-4257/1110, 4-6=-5392/1449, 6-7=-4816/1378,
 7-8=-4580/1267, 8-9=-5602/1490, 9-10=-1041/280
 BOT CHORD 1-16=-945/3736, 14-16=-1391/5093, 13-14=-1489/5436, 12-13=-1343/4918,
 11-12=-174/692, 10-11=-278/1068
 WEBS 3-16=-344/1554, 4-16=-1226/485, 4-14=-51/485, 6-13=-762/188, 7-13=-540/304,
 7-12=-322/118, 8-12=-567/2168, 9-12=-1158/4264, 9-11=-2140/578

- NOTES-**
- 2-ply truss to be connected together with 10d (0.131"x3") nails as follows:
 Top chords connected as follows: 2x6 - 2 rows staggered at 0-9-0 oc.
 Bottom chords connected as follows: 2x6 - 2 rows staggered at 0-9-0 oc.
 Webs connected as follows: 2x4 - 1 row at 0-9-0 oc, Except member 11-9 2x4 - 1 row at 0-7-0 oc.
 - All loads are considered equally applied to all plies, except if noted as front (F) or back (B) face in the LOAD CASE(S) section. Ply to ply connections have been provided to distribute only loads noted as (F) or (B), unless otherwise indicated.
 - Unbalanced roof live loads have been considered for this design.
 - Wind: ASCE 7-05; 100mph; TCDL=6.0psf; BCDL=5.0psf; h=15ft; Cat. II; Exp C; enclosed; MWFRS (low-rise); cantilever left and right exposed ; Lumber DOL=1.60 plate grip DOL=1.60
 - Provide adequate drainage to prevent water ponding.
 - All plates are MT20 plates unless otherwise indicated.
 - This truss has been designed for a 10.0 psf bottom chord live load nonconcurrent with any other live loads.
 - * This truss has been designed for a live load of 20.0psf on the bottom chord in all areas with a clearance greater than 6-0-0 between the bottom chord and any other members.
 - Provide mechanical connection (by others) of truss to bearing plate capable of withstanding 608 lb uplift at joint 11 and 518 lb uplift at joint 1.



October 31, 2018

Continued on page 2

<p>WARNING - Verify design parameters and READ NOTES ON THIS AND INCLUDED MITEK REFERENCE PAGE MII-7473 rev. 10/03/2015 BEFORE USE. Design valid for use only with MiTek® connectors. This design is based only upon parameters shown, and is for an individual building component, not a truss system. Before use, the building designer must verify the applicability of design parameters and properly incorporate this design into the overall building design. Bracing indicated is to prevent buckling of individual truss web and/or chord members only. Additional temporary and permanent bracing is always required for stability and to prevent collapse with possible personal injury and property damage. For general guidance regarding the fabrication, storage, delivery, erection and bracing of trusses and truss systems, see ANSI/TP1 Quality Criteria, DSB-89 and BCSI Building Component Safety Information available from Truss Plate Institute, 218 N. Lee Street, Suite 312, Alexandria, VA 22314.</p>	<p>ENGINEERING BY TRENCO A MiTek Affiliate</p> <p>818 Soundside Road Edenton, NC 27932</p>
--	---

Job J0918-4435	Truss A01	Truss Type HIP GIRDER	Qty 1	Ply 2	Jason Price / Campbell Pointe Bldg. 26 Job Reference (optional)	E12370822
-------------------	--------------	--------------------------	----------	-----------------	--	-----------

Comtech, Inc., Fayetteville, NC 28309

8.130 s Mar 11 2018 MiTek Industries, Inc. Wed Oct 31 12:57:14 2018 Page 2
ID:ZzXTyMvxB55ZLn?FA7qN0rzLZck-5beri6KGq4vIjA3zns4jHF2Y5phVQXMlykSzDlyNuE3

NOTES-

- 10) Hanger(s) or other connection device(s) shall be provided sufficient to support concentrated load(s) 2 lb down at 7-2-12, 53 lb down and 67 lb up at 9-2-12, 53 lb down and 67 lb up at 11-2-12, 53 lb down and 67 lb up at 13-2-12, 53 lb down and 67 lb up at 15-2-12, 53 lb down and 67 lb up at 17-2-12, 53 lb down and 67 lb up at 19-2-12, 53 lb down and 67 lb up at 21-2-12, 53 lb down and 67 lb up at 23-2-12, 53 lb down and 67 lb up at 25-2-12, 53 lb down and 67 lb up at 26-1-4, 50 lb down and 60 lb up at 28-2-12, 50 lb down and 55 lb up at 30-2-12, and 35 lb down and 10 lb up at 32-2-12, and 29 lb down and 17 lb up at 34-2-12 on top chord, and 132 lb down and 36 lb up at 3-2-12, 132 lb down and 36 lb up at 5-2-12, 122 lb down and 67 lb up at 7-2-12, 37 lb down at 9-2-12, 37 lb down at 11-2-12, 37 lb down at 13-2-12, 37 lb down at 15-2-12, 37 lb down at 17-2-12, 37 lb down at 19-2-12, 37 lb down at 21-2-12, 37 lb down at 23-2-12, 37 lb down at 25-2-12, 37 lb down at 26-1-12, 33 lb down and 14 lb up at 28-2-12, 45 lb down and 16 lb up at 30-2-12, 90 lb down and 58 lb up at 32-0-14, and 86 lb down and 33 lb up at 34-2-12, and 89 lb down and 36 lb up at 36-2-12 on bottom chord. The design/selection of such connection device(s) is the responsibility of others.

LOAD CASE(S) Standard

- 1) Dead + Roof Live (balanced): Lumber Increase=1.15, Plate Increase=1.15

Uniform Loads (plf)

Vert: 1-3=-60, 3-8=-60, 8-10=-60, 1-13=-20, 12-13=-20, 11-12=-20, 10-11=-20

Concentrated Loads (lb)

Vert: 13=-23(F) 12=-90(F) 18=-53(F) 19=-53(F) 20=-53(F) 21=-53(F) 22=-53(F) 23=-53(F) 24=-53(F) 25=-53(F) 26=-53(F) 27=-53(F) 28=-50(F) 29=-50(F) 30=-9(F) 32=-132 33=-132 34=-122(F) 35=-23(F) 36=-23(F) 37=-23(F) 38=-23(F) 39=-23(F) 40=-23(F) 41=-23(F) 42=-23(F) 43=-23(F) 44=-18(F) 45=-25(F) 46=-86(F) 47=-89(F)

WARNING - Verify design parameters and READ NOTES ON THIS AND INCLUDED MITEK REFERENCE PAGE MII-7473 rev. 10/03/2015 BEFORE USE.

Design valid for use only with MiTek® connectors. This design is based only upon parameters shown, and is for an individual building component, not a truss system. Before use, the building designer must verify the applicability of design parameters and properly incorporate this design into the overall building design. Bracing indicated is to prevent buckling of individual truss web and/or chord members only. Additional temporary and permanent bracing is always required for stability and to prevent collapse with possible personal injury and property damage. For general guidance regarding the fabrication, storage, delivery, erection and bracing of trusses and truss systems, see **ANSI/TPI1 Quality Criteria, DSB-89 and BCSI Building Component Safety Information** available from Truss Plate Institute, 218 N. Lee Street, Suite 312, Alexandria, VA 22314.



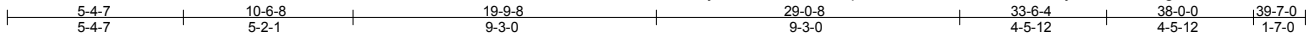
818 Soundside Road
Edenton, NC 27932

Job J0918-4435	Truss A02	Truss Type HIP	Qty 1	Ply 1	Jason Price / Campbell Pointe Bldg. 26	E12370823
-------------------	--------------	-------------------	----------	----------	--	-----------

Comtech, Inc., Fayetteville, NC 28309

8.130 s Mar 11 2018 MiTek Industries, Inc. Wed Oct 31 12:57:16 2018 Page 1

ID:ZzXTyMvxB55ZLn?FA7qN0rzLZck-2zmb7nMWMh90yTDMvh6BMg7t1dLVuTZbQ2x4HeyNuE1



Scale = 1:70.3

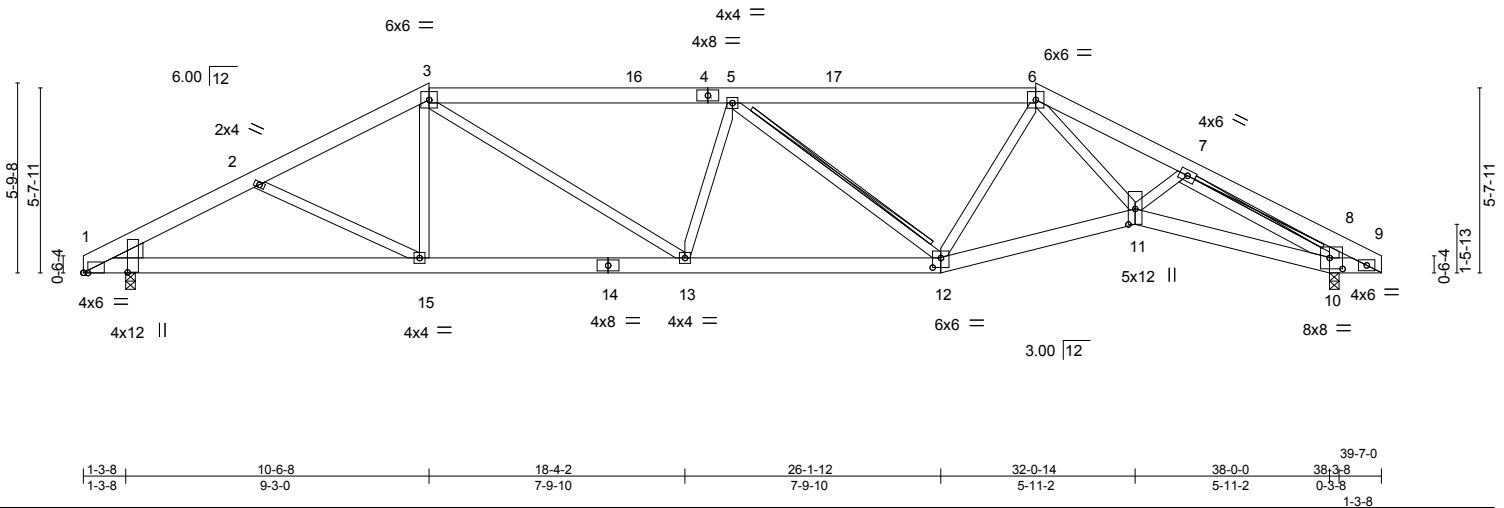


Plate Offsets (X,Y)-- [1:0-0-2,1-4-2], [1:0-1-10,Edge], [8:0-1-12,0-0-14], [10:0-4-12,0-4-0], [11:0-5-11,0-2-8], [12:0-3-0-0-3-8]

LOADING (psf)	SPACING-	2-0-0	CSI.	in (loc)	l/defl	L/d	PLATES	GRIP
TCLL 20.0	Plate Grip DOL	1.15	TC 0.85	Vert(LL) -0.14	13	>999	MT20	244/190
TCDL 10.0	Lumber DOL	1.15	BC 0.62	Vert(TL) -0.37	12-13	>999		
BCLL 0.0 *	Rep Stress Incr	YES	WB 0.71	Horz(TL) 0.17	10	n/a		
BCDL 10.0	Code IRC2009/TPI2007		Matrix-S	Wind(LL) 0.11	13	>999		
							Weight: 269 lb	FT = 20%

LUMBER-

TOP CHORD 2x6 SP No.1
 BOT CHORD 2x6 SP No.1
 WEBS 2x4 SP No.3
 WEDGE
 Left: 2x6 SP No.1

BRACING-

TOP CHORD Structural wood sheathing directly applied or 3-11-3 oc purlins.
 BOT CHORD Rigid ceiling directly applied or 8-7-7 oc bracing.
 WEBS T-Brace: 2x4 SPF No.2 - 5-12, 7-10
 Fasten (2X) T and I braces to narrow edge of web with 10d (0.131"x3") nails, 6in o.c., with 3in minimum end distance.
 Brace must cover 90% of web length.

REACTIONS.

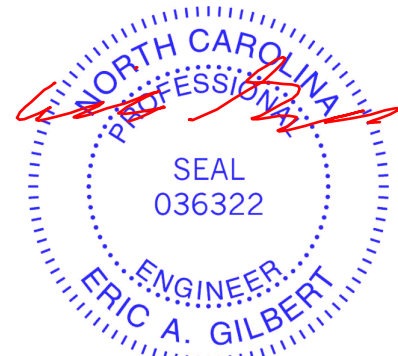
(lb/size) 10=1643/0-3-8, 1=1512/0-3-8
 Max Horz 1=-67(LC 4)
 Max Uplift 10=-114(LC 7), 1=-83(LC 5)

FORCES.

(lb) - Max. Comp./Max. Ten. - All forces 250 (lb) or less except when shown.
 TOP CHORD 1-2=-2845/988, 2-3=-2560/846, 3-5=-2783/961, 5-6=-2312/814, 6-7=-3522/1121, 7-8=-759/241, 8-9=-633/135
 BOT CHORD 1-15=-801/2482, 13-15=-547/2233, 12-13=-744/2844, 11-12=-592/2373, 10-11=-839/2932, 9-10=-153/681
 WEBS 2-15=-272/282, 3-15=-27/440, 3-13=-177/765, 5-13=-297/187, 5-12=-757/254, 6-11=-361/1366, 7-11=-31/496, 7-10=-2768/870, 8-10=-593/302

NOTES-

- Unbalanced roof live loads have been considered for this design.
- Wind: ASCE 7-05; 100mph; TCDL=6.0psf; BCDL=5.0psf; h=15ft; Cat. II; Exp C; enclosed; MWFRS (low-rise) and C-C Exterior(2) 0-1-12 to 16-9-3, Interior(1) 16-9-3 to 22-9-13, Exterior(2) 22-9-13 to 29-0-8 zone; cantilever left and right exposed ;C-C for members and forces & MWFRS for reactions shown; Lumber DOL=1.60 plate grip DOL=1.60
- Provide adequate drainage to prevent water ponding.
- This truss has been designed for a 10.0 psf bottom chord live load nonconcurrent with any other live loads.
- * This truss has been designed for a live load of 20.0psf on the bottom chord in all areas with a clearance greater than 6-0-0 between the bottom chord and any other members.
- Provide mechanical connection (by others) of truss to bearing plate capable of withstanding 114 lb uplift at joint 10 and 83 lb uplift at joint 1.
- Warning: Additional permanent and stability bracing for truss system (not part of this component design) is always required.



October 31,2018

WARNING - Verify design parameters and READ NOTES ON THIS AND INCLUDED MITEK REFERENCE PAGE MII-7473 rev. 10/03/2015 BEFORE USE.

Design valid for use only with MiTek® connectors. This design is based only upon parameters shown, and is for an individual building component, not a truss system. Before use, the building designer must verify the applicability of design parameters and properly incorporate this design into the overall building design. Bracing indicated is to prevent buckling of individual truss web and/or chord members only. Additional temporary and permanent bracing is always required for stability and to prevent collapse with possible personal injury and property damage. For general guidance regarding the fabrication, storage, delivery, erection and bracing of trusses and truss systems, see ANSI/TPI1 Quality Criteria, DSB-89 and BCSI Building Component Safety Information available from Truss Plate Institute, 218 N. Lee Street, Suite 312, Alexandria, VA 22314.

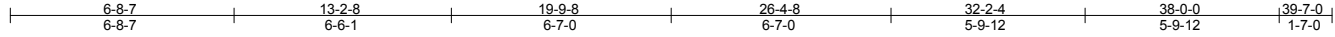


818 Soundside Road
 Edenton, NC 27932

Job J0918-4435	Truss A03	Truss Type HIP	Qty 1	Ply 1	Jason Price / Campbell Pointe Bldg. 26	E12370824
-------------------	--------------	-------------------	----------	----------	--	-----------

Comtech, Inc., Fayetteville, NC 28309

8.130 s Mar 11 2018 MiTek Industries, Inc. Wed Oct 31 12:57:19 2018 Page 1
ID:ZzXTyMvx855ZLn?FA7qN0rzLZck-SYSkipOOfcXapxyxaPgu_IIPmqMU5ro160AkuzyNuE_



Scale = 1:69.0

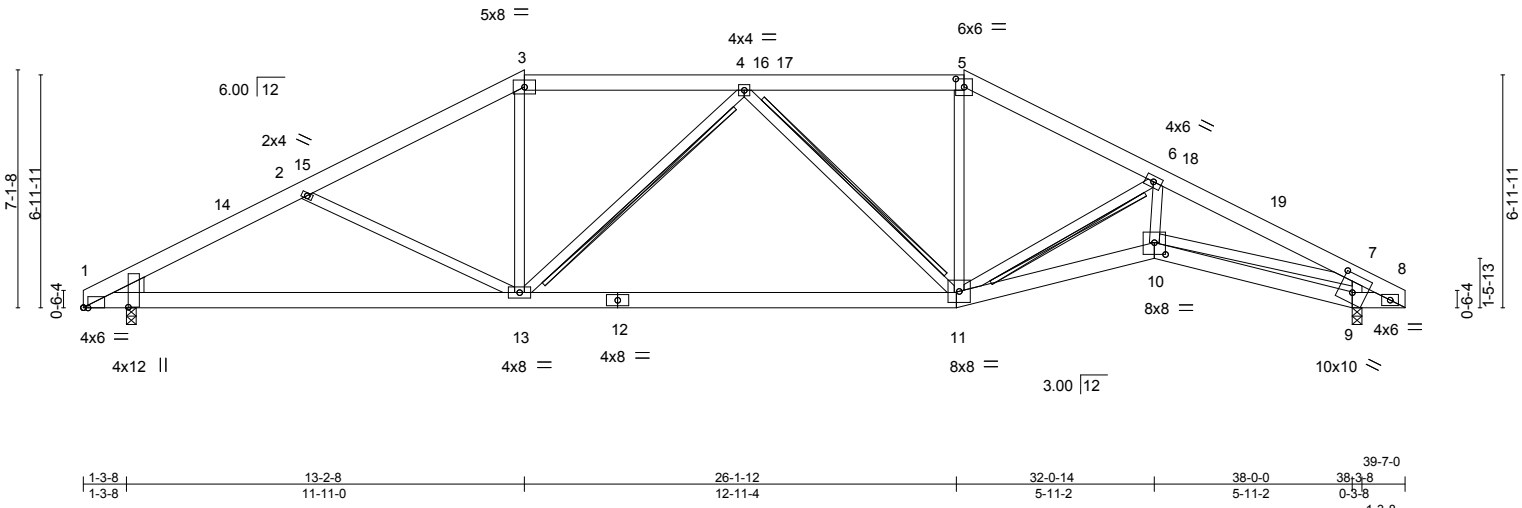


Plate Offsets (X,Y)-- [1:0-0-2,1-4-2], [1:0-1-10,Edge], [5:0-3-0-0-2-15], [9:0-5-0,0-6-6], [10:0-4-0-0-4-4]

LOADING (psf)	SPACING-	2-0-0	CSI.	in (loc)	l/defl	L/d	PLATES	GRIP
TCLL 20.0	Plate Grip DOL	1.15	TC 0.82	Vert(LL) -0.19	11-13	>999	MT20	244/190
TCDL 10.0	Lumber DOL	1.15	BC 0.66	Vert(TL) -0.58	11-13	>790		
BCLL 0.0 *	Rep Stress Incr	YES	WB 0.68	Horz(TL) 0.18	9	n/a		
BCDL 10.0	Code IRC2009/TPI2007		Matrix-S	Wind(LL) 0.11	10-11	>999		
							Weight: 273 lb	FT = 20%

LUMBER-
TOP CHORD 2x6 SP No.1
BOT CHORD 2x6 SP No.1
WEBS 2x4 SP No.3 *Except*
7-10: 2x4 SP No.2

BRACING-
TOP CHORD Structural wood sheathing directly applied or 3-9-14 oc purlins.
BOT CHORD Rigid ceiling directly applied or 8-2-7 oc bracing.
WEBS T-Brace: 2x4 SPF No.2 - 4-13, 4-11, 6-11
Fasten (2X) T and I braces to narrow edge of web with 10d (0.131"x3") nails, 6in o.c., with 3in minimum end distance.
Brace must cover 90% of web length.

REACTIONS. (lb/size) 9=1643/0-3-8, 1=1512/0-3-8
Max Horz 1=-84(LC 4)
Max Uplift 9=-135(LC 7), 1=-89(LC 6)

FORCES. (lb) - Max. Comp./Max. Ten. - All forces 250 (lb) or less except when shown.
TOP CHORD 1-2=-2793/970, 2-3=-2373/794, 3-4=-2032/772, 4-5=-1903/755, 5-6=-2139/770,
6-7=-3661/1125, 7-8=-680/163
BOT CHORD 1-13=-774/2436, 11-13=-575/2191, 10-11=-924/3345, 9-10=-70/440, 8-9=-180/720
WEBS 2-13=-443/351, 3-13=-120/674, 4-13=-363/171, 4-11=-523/194, 5-11=-113/545,
6-11=-1597/534, 6-10=-261/1277, 7-10=-814/2761, 7-9=-1531/597

- NOTES-**
- Unbalanced roof live loads have been considered for this design.
 - Wind: ASCE 7-05; 100mph; TCDL=6.0psf; BCDL=5.0psf; h=15ft; Cat. II; Exp C; enclosed; MWFRS (low-rise) and C-C Exterior(2) 0-1-12 to 4-6-9, Interior(1) 4-6-9 to 6-11-13, Exterior(2) 6-11-13 to 13-2-8, Interior(1) 19-5-3 to 20-1-13, Exterior(2) 26-4-8 to 39-7-0 zone; cantilever left and right exposed ;C-C for members and forces & MWFRS for reactions shown; Lumber DOL=1.60 plate grip DOL=1.60
 - Provide adequate drainage to prevent water ponding.
 - This truss has been designed for a 10.0 psf bottom chord live load nonconcurrent with any other live loads.
 - * This truss has been designed for a live load of 20.0psf on the bottom chord in all areas with a clearance greater than 6-0-0 between the bottom chord and any other members.
 - Provide mechanical connection (by others) of truss to bearing plate capable of withstanding 135 lb uplift at joint 9 and 89 lb uplift at joint 1.
 - Warning: Additional permanent and stability bracing for truss system (not part of this component design) is always required.



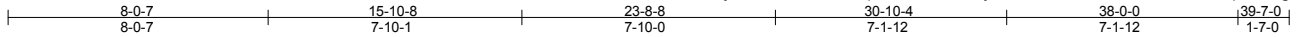
October 31,2018

Job J0918-4435	Truss A04	Truss Type HIP	Qty 1	Ply 1	Jason Price / Campbell Pointe Bldg. 26	E12370825
-------------------	--------------	-------------------	----------	----------	--	-----------

Comtech, Inc., Fayetteville, NC 28309

8.130 s Mar 11 2018 MiTek Industries, Inc. Wed Oct 31 12:57:20 2018 Page 1

ID:ZzXTyMvxB55ZLn?FA7qN0rzLZck-wl?6y9P0QwRR5X786B7XWIXzEfmqFUAKgvIPPyNuDz



Scale = 1:71.2

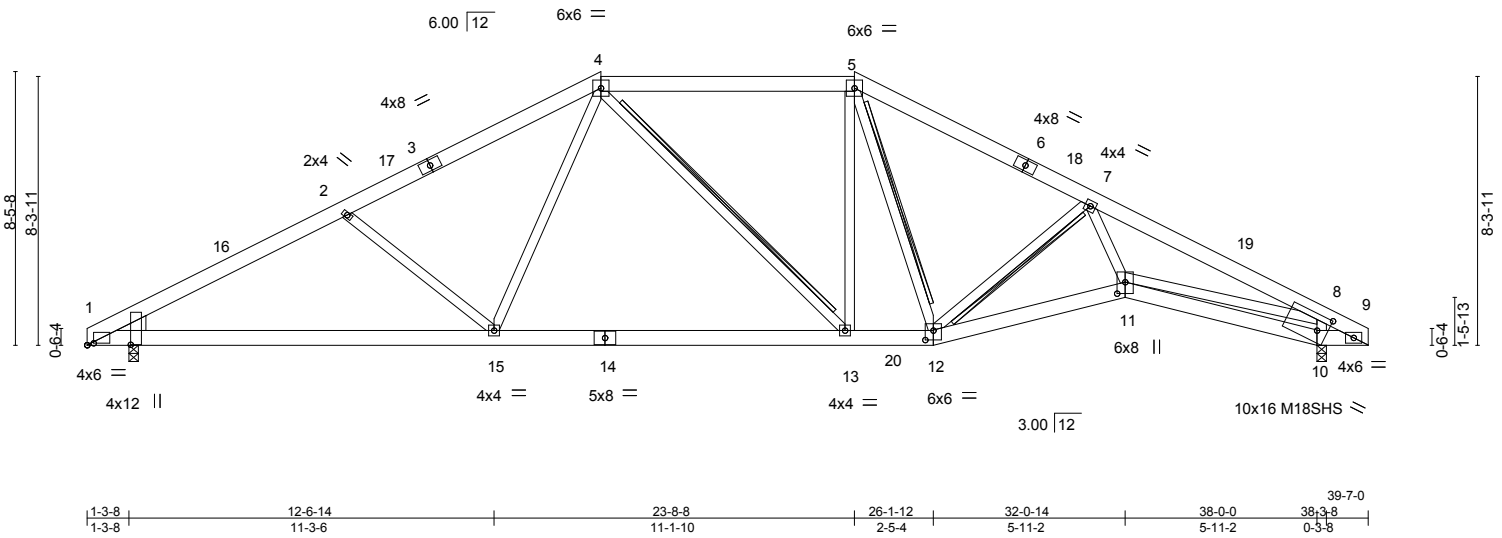


Plate Offsets (X,Y)-- [1:0-0-2,1-4-2], [1:0-2-6,0-0-11], [10:0-3-12,0-5-12], [11:0-4-4,0-3-0], [12:0-3-0,0-3-8]

LOADING (psf)	SPACING-	2-0-0	CSI.	DEFL.	in (loc)	l/defl	L/d	PLATES	GRIP
TCLL 20.0	Plate Grip DOL	1.15	TC 0.98	Vert(LL)	-0.33 13-15	>999	360	MT20	244/190
TCDL 10.0	Lumber DOL	1.15	BC 0.85	Vert(TL)	-0.55 13-15	>831	240	M18SHS	244/190
BCLL 0.0 *	Rep Stress Incr	YES	WB 0.84	Horz(TL)	0.18 10	n/a	n/a		
BCDL 10.0	Code IRC2009/TPI2007		Matrix-S	Wind(LL)	0.10 11-12	>999	240		
								Weight: 280 lb	FT = 20%

LUMBER-

TOP CHORD 2x6 SP No.1
 BOT CHORD 2x6 SP No.1
 WEBS 2x4 SP No.3 *Except*
 4-13,8-11: 2x4 SP No.2

WEDGE
 Left: 2x6 SP No.1

BRACING-

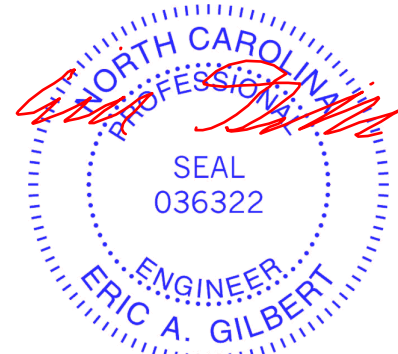
TOP CHORD Structural wood sheathing directly applied or 3-5-3 oc purlins.
 Rigid ceiling directly applied or 9-1-8 oc bracing.
 BOT CHORD
 WEBS T-Brace: 2x4 SPF No.2 - 4-13, 7-12, 5-12
 Fasten (2X) T and I braces to narrow edge of web with 10d (0.131"x3") nails, 6in o.c., with 3in minimum end distance.
 Brace must cover 90% of web length.

REACTIONS. (lb/size) 10=1910/0-3-8, 1=1773/0-3-8
 Max Horz 1=-102(LC 4)
 Max Uplift 10=-152(LC 7), 1=-106(LC 6)

FORCES. (lb) - Max. Comp./Max. Ten. - All forces 250 (lb) or less except when shown.
 TOP CHORD 1-2=-3341/890, 2-4=-2970/794, 4-5=-2260/717, 5-7=-2623/756, 7-8=-4437/1042,
 8-9=-760/153
 BOT CHORD 1-15=-688/2912, 13-15=-381/2235, 12-13=-353/2249, 11-12=-748/3459, 10-11=-65/471,
 9-10=-170/798
 WEBS 2-15=-462/348, 4-15=-102/850, 5-13=0/676, 7-12=-1433/447, 7-11=-214/1490,
 8-11=-738/3428, 8-10=-1782/571

NOTES-

- Unbalanced roof live loads have been considered for this design.
- Wind: ASCE 7-05; 100mph; TCDL=6.0psf; BCDL=5.0psf; h=15ft; Cat. II; Exp C; enclosed; MWFRS (low-rise) and C-C Exterior(2) 0-1-12 to 4-6-9, Interior(1) 4-6-9 to 9-7-13, Exterior(2) 9-7-13 to 29-11-3, Interior(1) 29-11-3 to 35-2-3 zone; cantilever left and right exposed; C-C for members and forces & MWFRS for reactions shown; Lumber DOL=1.60 plate grip DOL=1.60
- Provide adequate drainage to prevent water ponding.
- All plates are MT20 plates unless otherwise indicated.
- This truss has been designed for a 10.0 psf bottom chord live load nonconcurrent with any other live loads.
- * This truss has been designed for a live load of 20.0psf on the bottom chord in all areas with a clearance greater than 6-0-0 between the bottom chord and any other members, with BCDL = 10.0psf.
- Provide mechanical connection (by others) of truss to bearing plate capable of withstanding 152 lb uplift at joint 10 and 106 lb uplift at joint 1.
- Warning: Additional permanent and stability bracing for truss system (not part of this component design) is always required.



October 31, 2018

WARNING - Verify design parameters and READ NOTES ON THIS AND INCLUDED MITEK REFERENCE PAGE MII-7473 rev. 10/03/2015 BEFORE USE.

Design valid for use only with MiTek® connectors. This design is based only upon parameters shown, and is for an individual building component, not a truss system. Before use, the building designer must verify the applicability of design parameters and properly incorporate this design into the overall building design. Bracing indicated is to prevent buckling of individual truss web and/or chord members only. Additional temporary and permanent bracing is always required for stability and to prevent collapse with possible personal injury and property damage. For general guidance regarding the fabrication, storage, delivery, erection and bracing of trusses and truss systems, see **ANSI/TPI1 Quality Criteria, DSB-89 and BCSI Building Component Safety Information** available from Truss Plate Institute, 218 N. Lee Street, Suite 312, Alexandria, VA 22314.



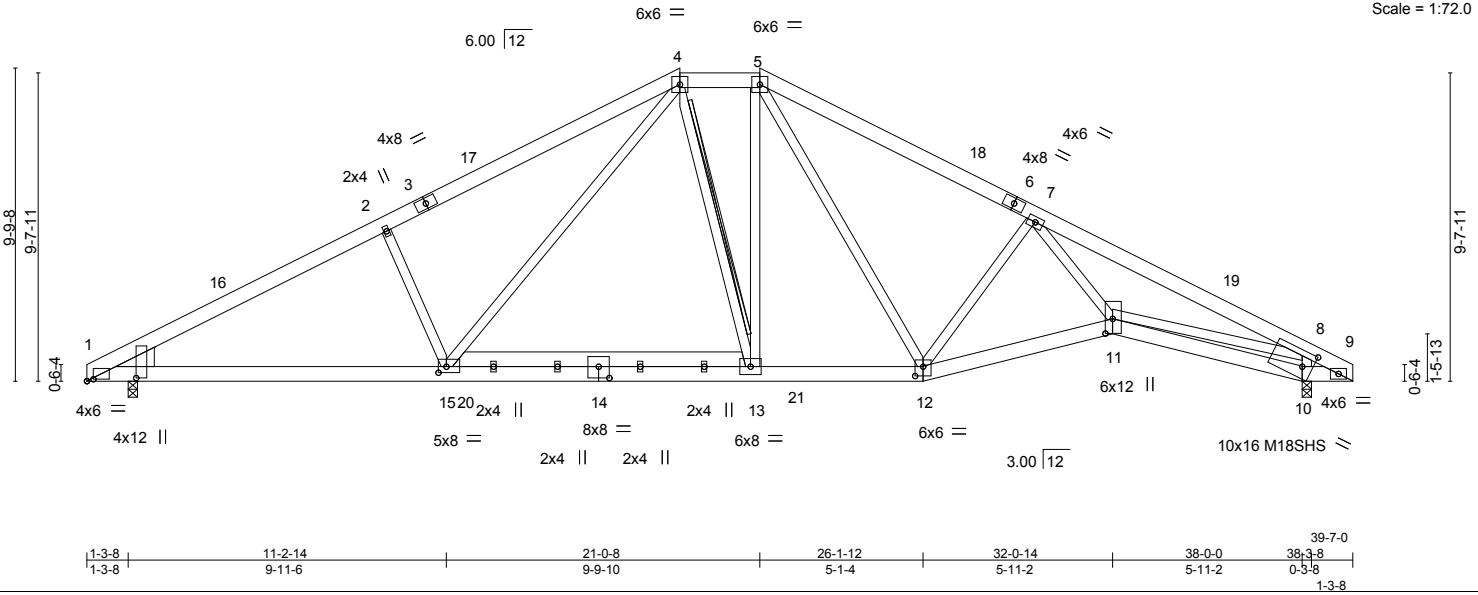
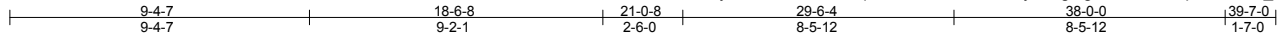
818 Soundside Road
 Edenton, NC 27932

Job J0918-4435	Truss A05	Truss Type HIP	Qty 1	Ply 1	Jason Price / Campbell Pointe Bldg. 26	E12370826
-------------------	--------------	-------------------	----------	----------	--	-----------

Comtech, Inc., Fayetteville, NC 28309

8.130 s Mar 11 2018 MiTek Industries, Inc. Wed Oct 31 12:57:22 2018 Page 1

ID:ZzXTyMvxB55ZLn?FA7qN0rzLZck-s77sNrQHxv9gOgWFXDbcxNtp1DI8eTo_OPULyNuDx



Scale = 1:72.0

Plate Offsets (X,Y)--	[1:0-1-2,1-6-7], [1:0-2-6,0-0-11], [10:0-3-12,0-5-12], [11:0-5-8,0-2-12], [12:0-3-0,0-3-8], [14:0-4-0,0-4-4], [15:0-3-0,0-2-4]
-----------------------	--

LOADING (psf)	SPACING-	2-0-0	CSI.	DEFL.	in (loc)	l/defl	L/d	PLATES	GRIP
TCLL 20.0	Plate Grip DOL	1.15	TC 0.96	Vert(LL)	-0.35 13-15	>999	360	MT20	244/190
TCDL 10.0	Lumber DOL	1.15	BC 0.98	Vert(TL)	-0.55 13-15	>833	240	M18SHS	244/190
BCLL 0.0 *	Rep Stress Incr	YES	WB 0.93	Horz(TL)	0.19 10	n/a	n/a		
BCDL 10.0	Code IRC2009/TPI2007		Matrix-S	Wind(LL)	0.09 11-12	>999	240		
								Weight: 312 lb	FT = 20%

LUMBER-	BRACING-
TOP CHORD 2x6 SP No.1	TOP CHORD Structural wood sheathing directly applied or 3-3-0 oc purlins.
BOT CHORD 2x6 SP No.1	Rigid ceiling directly applied or 10-0-0 oc bracing.
WEBS 2x4 SP No.3 *Except*	T-Brace: 2x4 SPF No.2 - 4-13
4-15,8-11,5-12: 2x4 SP No.2, 13-15: 2x6 SP No.1	Fasten (2X) T and I braces to narrow edge of web with 10d (0.131"x3") nails, 6in o.c., with 3in minimum end distance.
WEDGE	Brace must cover 90% of web length.
Left: 2x8 SP No.1	

REACTIONS. (lb/size) 10=2068/0-3-8, 1=1956/0-3-8
 Max Horz 1=-119(LC 4)
 Max Uplift 10=-167(LC 7), 1=-120(LC 6)

FORCES. (lb) - Max. Comp./Max. Ten. - All forces 250 (lb) or less except when shown.
 TOP CHORD 1-2=-3725/793, 2-4=-3537/867, 4-5=-2306/667, 5-7=-2941/750, 7-8=-4863/937, 8-9=-816/163
 BOT CHORD 1-15=-586/3245, 13-15=-267/2257, 12-13=-255/2298, 11-12=-601/3368, 10-11=-86/499, 9-10=-187/853
 WEBS 2-15=-519/365, 4-15=-286/1284, 4-13=-56/426, 5-13=-39/682, 7-12=-1270/415, 7-11=-194/1720, 8-11=-611/3779, 8-10=-1928/557, 5-12=-173/512

- NOTES-**
- Unbalanced roof live loads have been considered for this design.
 - Wind: ASCE 7-05; 100mph; TCDL=6.0psf; BCDL=5.0psf; h=15ft; Cat. II; Exp C; enclosed; MWFRS (low-rise) and C-C Exterior(2) 0-1-12 to 4-6-9, Interior(1) 4-6-9 to 12-3-13, Exterior(2) 12-3-13 to 27-3-3, Interior(1) 27-3-3 to 35-2-3 zone; cantilever left and right exposed; C-C for members and forces & MWFRS for reactions shown; Lumber DOL=1.60 plate grip DOL=1.60
 - Provide adequate drainage to prevent water ponding.
 - All plates are MT20 plates unless otherwise indicated.
 - This truss has been designed for a 10.0 psf bottom chord live load nonconcurrent with any other live loads.
 - * This truss has been designed for a live load of 30.0psf on the bottom chord in all areas with a clearance greater than 6-0-0 between the bottom chord and any other members, with BCDL = 10.0psf.
 - Provide mechanical connection (by others) of truss to bearing plate capable of withstanding 167 lb uplift at joint 10 and 120 lb uplift at joint 1.
 - Warning: Additional permanent and stability bracing for truss system (not part of this component design) is always required.



October 31,2018

WARNING - Verify design parameters and READ NOTES ON THIS AND INCLUDED MITEK REFERENCE PAGE MII-7473 rev. 10/03/2015 BEFORE USE.

Design valid for use only with MiTek® connectors. This design is based only upon parameters shown, and is for an individual building component, not a truss system. Before use, the building designer must verify the applicability of design parameters and properly incorporate this design into the overall building design. Bracing indicated is to prevent buckling of individual truss web and/or chord members only. Additional temporary and permanent bracing is always required for stability and to prevent collapse with possible personal injury and property damage. For general guidance regarding the fabrication, storage, delivery, erection and bracing of trusses and truss systems, see **ANSI/TPI1 Quality Criteria, DSB-89 and BCSI Building Component Safety Information** available from Truss Plate Institute, 218 N. Lee Street, Suite 312, Alexandria, VA 22314.



818 Soundside Road
 Edenton, NC 27932

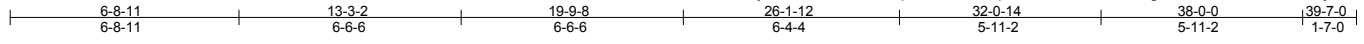
Job J0918-4435	Truss A06	Truss Type ROOF SPECIAL	Qty 23	Ply 1	Jason Price / Campbell Pointe Bldg. 26	E12370827
-------------------	--------------	----------------------------	-----------	----------	--	-----------

Comtech, Inc., Fayetteville, NC 28309

8.130 s Mar 11 2018 MiTek Industries, Inc. Wed Oct 31 12:57:25 2018 Page 1

ID:ZzXTyMvxB55ZLn?FA7qN0rzLZck-Hip??sT9ESHkXsP5wgnJEZ?PZFOTVWwUyd35dyNuDu

Job Reference (optional)



Scale = 1:67.7

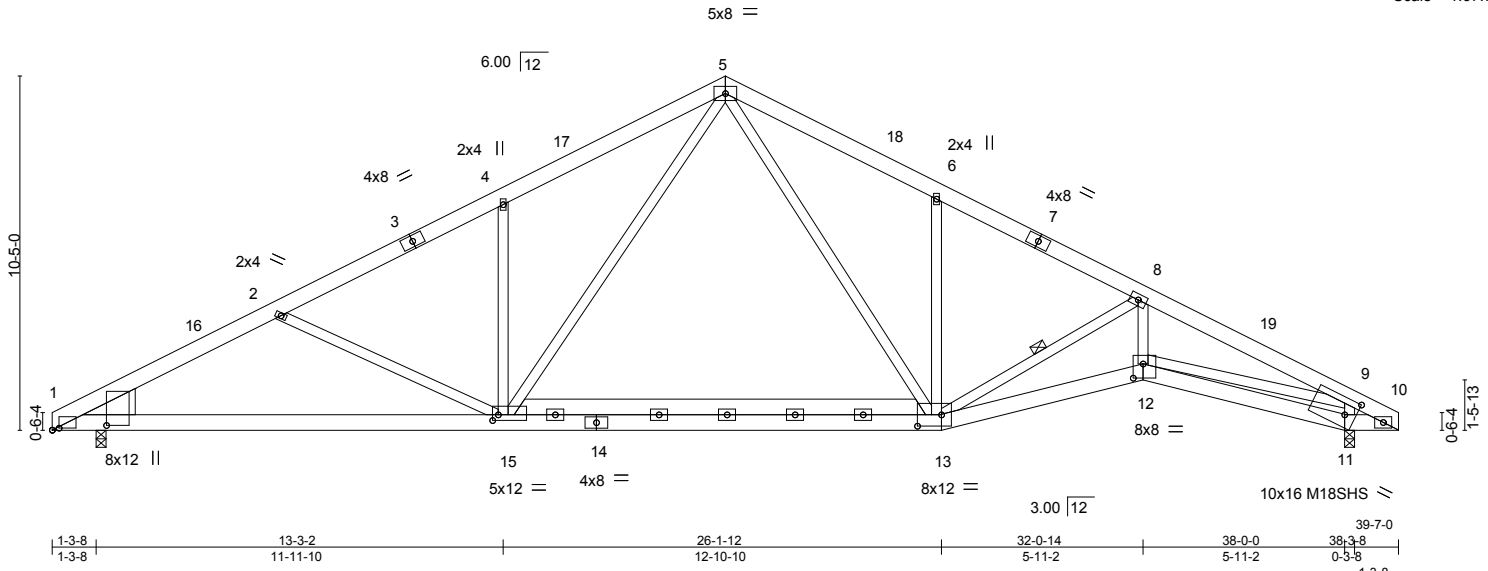


Plate Offsets (X,Y)-- [1:0-1-10,1-7-2], [1:0-2-6,0-0-11], [11:0-3-12,0-5-12], [12:0-3-8,0-5-0], [13:0-8-8,0-4-0], [15:0-2-0,0-2-0]

LOADING (psf)	SPACING-	2-0-0	CSI.	DEFL.	in (loc)	l/defl	L/d	PLATES	GRIP
TCLL 20.0	Plate Grip DOL	1.15	TC 0.93	Vert(LL)	-0.39 13-15	>999	360	MT20	244/190
TCDL 10.0	Lumber DOL	1.15	BC 0.75	Vert(TL)	-0.62 13-15	>735	240	M18SHS	244/190
BCLL 0.0 *	Rep Stress Incr	YES	WB 0.89	Horz(TL)	0.20 11	n/a	n/a		
BCDL 10.0	Code IRC2009/TPI2007		Matrix-S	Wind(LL)	0.10 12-13	>999	240		
								Weight: 318 lb	FT = 20%

LUMBER-

TOP CHORD 2x6 SP No.1
 BOT CHORD 2x6 SP No.1
 WEBS 2x4 SP No.3 *Except*
 5-15,5-13,9-12: 2x4 SP No.2, 13-15: 2x6 SP No.1

BRACING-

TOP CHORD Structural wood sheathing directly applied or 3-2-12 oc purlins.
 BOT CHORD Rigid ceiling directly applied or 9-11-7 oc bracing.
 WEBS 1 Row at midpt 8-13

WEDGE
 Left: 2x10 SP No.1

REACTIONS. (lb/size) 11=2042/0-3-8, 1=1883/0-3-8
 Max Horz 1=-128(LC 4)
 Max Uplift 11=-173(LC 7), 1=-125(LC 6)

FORCES. (lb) - Max. Comp./Max. Ten. - All forces 250 (lb) or less except when shown.
 TOP CHORD 1-2=-3733/775, 2-4=-3305/633, 4-5=-3299/779, 5-6=-3094/772, 6-8=-3033/621,
 8-9=-4762/830, 9-10=-855/129
 BOT CHORD 1-15=-597/3270, 13-15=-182/1980, 12-13=-629/4232, 11-12=-56/547, 10-11=-148/899
 WEBS 2-15=-436/283, 4-15=-412/254, 5-15=-274/1613, 5-13=-262/1321, 6-13=-448/253,
 8-13=-1711/337, 8-12=-136/1414, 9-12=-562/3636, 9-11=-1907/507

NOTES-

- Unbalanced roof live loads have been considered for this design.
- Wind: ASCE 7-05; 100mph; TCDL=6.0psf; BCDL=5.0psf; h=15ft; Cat. II; Exp C; enclosed; MWFRS (low-rise) and C-C Exterior(2)
 0-1-12 to 4-6-9, Interior(1) 4-6-9 to 15-4-11, Exterior(2) 15-4-11 to 19-9-8, Interior(1) 24-2-5 to 35-2-3 zone; cantilever left and right exposed ;C-C for members and forces & MWFRS for reactions shown; Lumber DOL=1.60 plate grip DOL=1.60
- All plates are MT20 plates unless otherwise indicated.
- All plates are 4x6 MT20 unless otherwise indicated.
- This truss has been designed for a 10.0 psf bottom chord live load nonconcurrent with any other live loads.
- * This truss has been designed for a live load of 30.0psf on the bottom chord in all areas with a clearance greater than 6-0-0 between the bottom chord and any other members, with BCDL = 10.0psf.
- Provide mechanical connection (by others) of truss to bearing plate capable of withstanding 173 lb uplift at joint 11 and 125 lb uplift at joint 1.



October 31,2018

WARNING - Verify design parameters and READ NOTES ON THIS AND INCLUDED MITEK REFERENCE PAGE MII-7473 rev. 10/03/2015 BEFORE USE.

Design valid for use only with MiTek® connectors. This design is based only upon parameters shown, and is for an individual building component, not a truss system. Before use, the building designer must verify the applicability of design parameters and properly incorporate this design into the overall building design. Bracing indicated is to prevent buckling of individual truss web and/or chord members only. Additional temporary and permanent bracing is always required for stability and to prevent collapse with possible personal injury and property damage. For general guidance regarding the fabrication, storage, delivery, erection and bracing of trusses and truss systems, see **ANSI/TPI1 Quality Criteria, DSB-89 and BCSI Building Component Safety Information** available from Truss Plate Institute, 218 N. Lee Street, Suite 312, Alexandria, VA 22314.



818 Soundside Road
 Edenton, NC 27932

Job J0918-4435	Truss A08	Truss Type ROOF SPECIAL SUPPORT	Qty 3	Ply 1	Jason Price / Campbell Pointe Bldg. 26	E12370828
-------------------	--------------	------------------------------------	----------	----------	--	-----------

Comtech, Inc., Fayetteville, NC 28309

8.130 s Mar 11 2018 MiTek Industries, Inc. Wed Oct 31 12:57:30 2018 Page 1
ID:ZzXTyMvxB55ZLn?FA7qN0rzLZck-dgcu3aWI3?w0ed12jDMUxdiSRGFNAfeeEKmqyNuDp

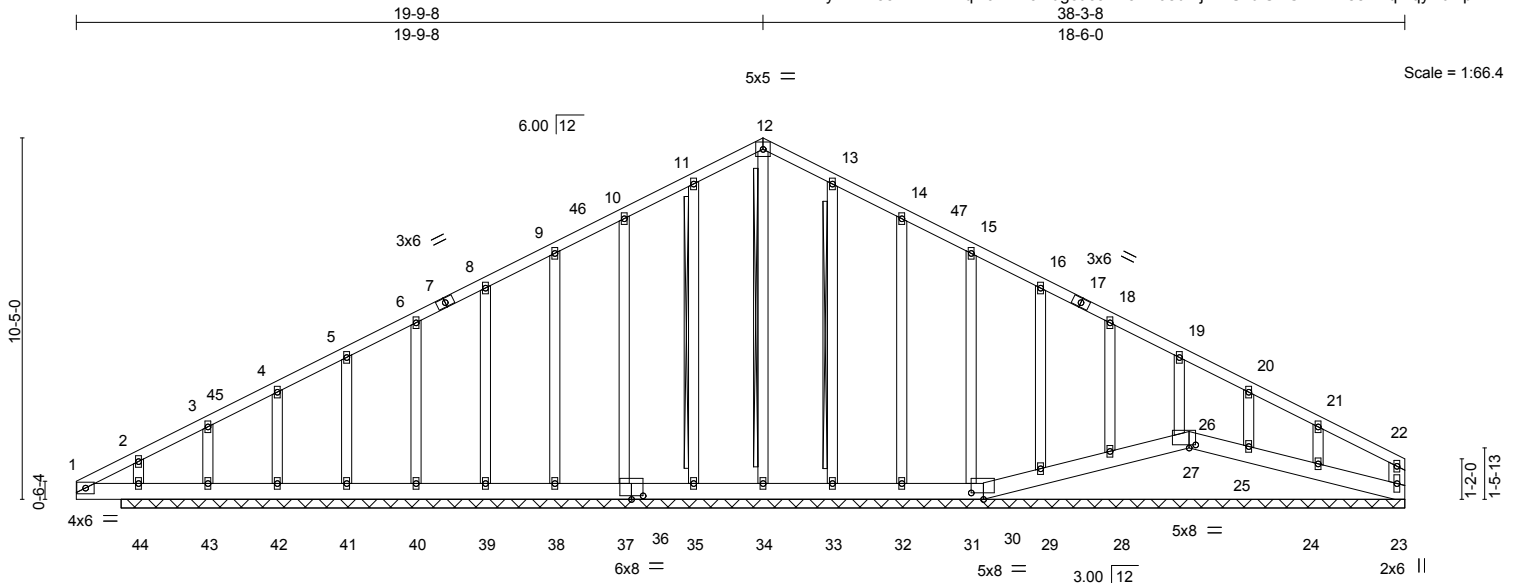


Plate Offsets (X,Y)-- [26:0-0-0,0-2-13], [26:0-2-4,0-1-1], [27:0-1-12,0-0-7], [30:0-0-0,0-2-12], [30:0-4-4,0-2-4], [31:0-1-12,0-0-0], [36:0-4-0,0-1-4], [36:0-0-0,0-2-12], [37:0-1-12,0-0-0]

LOADING (psf)	SPACING-		CSI.	DEFL.	in (loc)	l/defl	L/d	PLATES	GRIP
TCLL 20.0	Plate Grip DOL 2-0-0		TC 0.09	Vert(LL) n/a	-	n/a	999	MT20	244/190
TCDL 10.0	Lumber DOL 1.15		BC 0.07	Vert(TL) n/a	-	n/a	999		
BCLL 0.0 *	Rep Stress Incr YES		WB 0.16	Horz(TL) 0.00	23	n/a	n/a		
BCDL 10.0	Code IRC2009/TPI2007		Matrix-S					Weight: 289 lb	FT = 20%

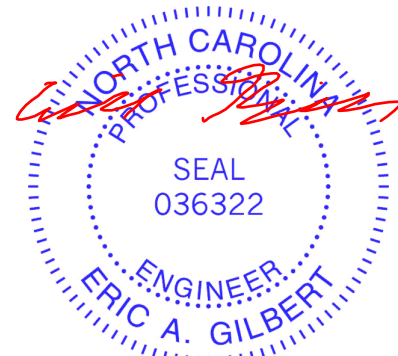
LUMBER-
TOP CHORD 2x4 SP No.1
BOT CHORD 2x6 SP No.1
WEBS 2x6 SP No.1
OTHERS 2x4 SP No.3

BRACING-
TOP CHORD Structural wood sheathing directly applied or 6-0-0 oc purlins, except end verticals.
BOT CHORD Rigid ceiling directly applied or 6-0-0 oc bracing.
WEBS T-Brace: 2x4 SPF No.2 - 12-34, 11-35, 13-33
Fasten (2X) T and I braces to narrow edge of web with 10d (0.131"x3") nails, 6in o.c., with 3in minimum end distance.
Brace must cover 90% of web length.

REACTIONS. All bearings 37-0-0.
(lb) - Max Horz 44=138(LC 5)
Max Uplift All uplift 100 lb or less at joint(s) 23, 30, 26, 35, 37, 38, 39, 40, 41, 42, 44, 33, 32, 31, 29, 28, 27, 25 except 43=-103(LC 6), 24=-107(LC 7)
Max Grav All reactions 250 lb or less at joint(s) 23, 30, 26, 34, 35, 37, 38, 39, 40, 41, 42, 43, 33, 32, 31, 29, 28, 27, 25, 24 except 44=278(LC 1)

FORCES. (lb) - Max. Comp./Max. Ten. - All forces 250 (lb) or less except when shown.
TOP CHORD 9-10=0/301, 10-11=-17/385, 11-12=-20/468, 12-13=-29/468, 13-14=-26/385, 14-15=-26/301
WEBS 12-34=-261/0

- NOTES-**
- Unbalanced roof live loads have been considered for this design.
 - Wind: ASCE 7-05; 100mph; TCDL=6.0psf; BCDL=5.0psf; h=15ft; Cat. II; Exp C; enclosed; MWFRS (low-rise) and C-C Corner(3) 0-0-0 to 4-4-13, Exterior(2) 4-4-13 to 15-4-11, Corner(3) 15-4-11 to 19-9-8, Exterior(2) 24-2-5 to 33-7-15 zone; cantilever left exposed ;C-C for members and forces & MWFRS for reactions shown; Lumber DOL=1.60 plate grip DOL=1.60
 - Truss designed for wind loads in the plane of the truss only. For studs exposed to wind (normal to the face), see Standard Industry Gable End Details as applicable, or consult qualified building designer as per ANSI/TPI 1.
 - All plates are 2x4 MT20 unless otherwise indicated.
 - Gable studs spaced at 2-0-0 oc.
 - This truss has been designed for a 10.0 psf bottom chord live load nonconcurrent with any other live loads.
 - * This truss has been designed for a live load of 20.0psf on the bottom chord in all areas with a clearance greater than 6-0-0 between the bottom chord and any other members, with BCDL = 10.0psf.
 - Provide mechanical connection (by others) of truss to bearing plate capable of withstanding 100 lb uplift at joint(s) 23, 30, 26, 35, 37, 38, 39, 40, 41, 42, 44, 33, 32, 31, 29, 28, 27, 25 except (jt=lb) 43=103, 24=107.
 - Non Standard bearing condition. Review required.
 - Warning: Additional permanent and stability bracing for truss system (not part of this component design) is always required.



October 31, 2018

WARNING - Verify design parameters and READ NOTES ON THIS AND INCLUDED MITEK REFERENCE PAGE MII-7473 rev. 10/03/2015 BEFORE USE.

Design valid for use only with MiTek® connectors. This design is based only upon parameters shown, and is for an individual building component, not a truss system. Before use, the building designer must verify the applicability of design parameters and properly incorporate this design into the overall building design. Bracing indicated is to prevent buckling of individual truss web and/or chord members only. Additional temporary and permanent bracing is always required for stability and to prevent collapse with possible personal injury and property damage. For general guidance regarding the fabrication, storage, delivery, erection and bracing of trusses and truss systems, see **ANSI/TPI Quality Criteria, DSB-89 and BCSI Building Component Safety Information** available from Truss Plate Institute, 218 N. Lee Street, Suite 312, Alexandria, VA 22314.



818 Soundside Road
Edenton, NC 27932

Job J0918-4435	Truss A09	Truss Type ROOF SPECIAL SUPPORT	Qty 3	Ply 1	Jason Price / Campbell Pointe Bldg. 26	E12370829
-------------------	--------------	------------------------------------	----------	----------	--	-----------

Comtech, Inc., Fayetteville, NC 28309

8.130 s Mar 11 2018 MjTek Industries, Inc. Wed Oct 31 12:57:33 2018 Page 1
ID:ZzXTyMvxB55ZLn?FA7qN0rzLZck-2FI0hbZAMwIbV50dOLwBYFK_4TIZNm5KCZUN9yNuDm

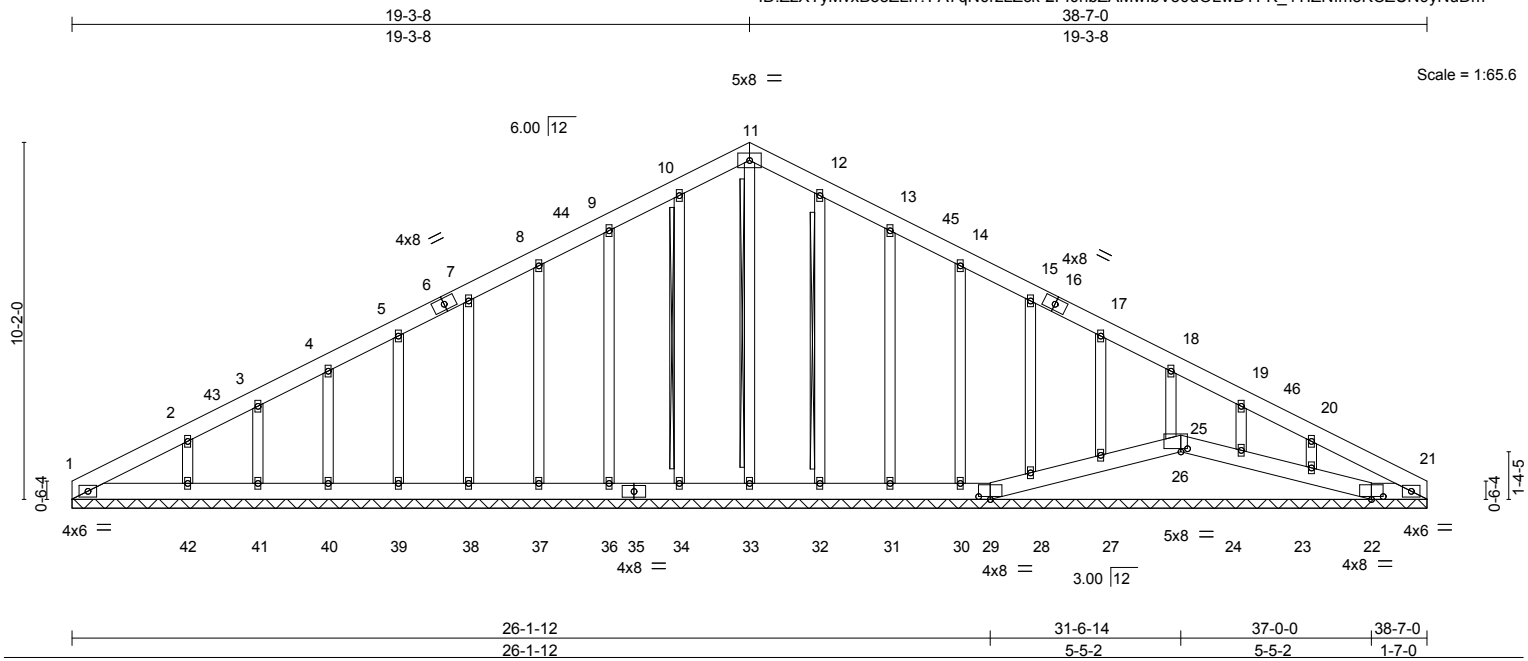


Plate Offsets (X,Y)--	[22:0-4-0-0-1-0], [25:0-2-4-0-1-1], [25:0-0-0-0-2-13], [26:0-1-12,0-0-7], [29:0-4-0-0-1-0]
-----------------------	--

LOADING (psf)	SPACING-	CSI.	DEFL.	in (loc)	l/defl	L/d	PLATES	GRIP
TCLL 20.0	Plate Grip DOL 1.15	TC 0.06	Vert(LL) n/a	-	n/a	999	MT20	244/190
TCDL 10.0	Lumber DOL 1.15	BC 0.04	Vert(TL) n/a	-	n/a	999		
BCLL 0.0 *	Rep Stress Incr YES	WB 0.13	Horz(TL) 0.01	21	n/a	n/a		
BCDL 10.0	Code IRC2009/TPI2007	Matrix-S					Weight: 315 lb	FT = 20%

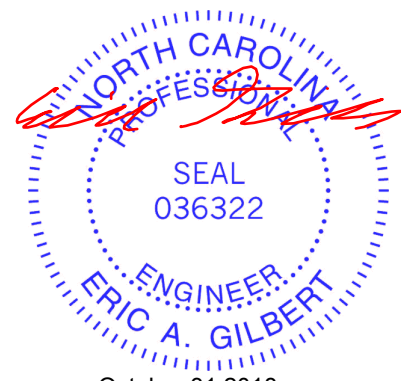
LUMBER-
TOP CHORD 2x6 SP No.1
BOT CHORD 2x6 SP No.1
OTHERS 2x4 SP No.3

BRACING-
TOP CHORD Structural wood sheathing directly applied or 6-0-0 oc purlins.
BOT CHORD Rigid ceiling directly applied or 10-0-0 oc bracing.
WEBS T-Brace: 2x4 SPF No.2 - 11-33, 10-34, 12-32
Fasten (2X) T and I braces to narrow edge of web with 10d (0.131"x3") nails, 6in o.c., with 3in minimum end distance.
Brace must cover 90% of web length.

REACTIONS. All bearings 38-7-0.
(b) - Max Horz 1=-124(LC 4)
Max Uplift All uplift 100 lb or less at joint(s) 1, 29, 22, 34, 36, 37, 38, 39, 40, 41, 42, 32, 31, 30, 28, 27, 26, 24, 23
Max Grav All reactions 250 lb or less at joint(s) 1, 29, 25, 22, 21, 33, 34, 36, 37, 38, 39, 40, 41, 32, 31, 30, 28, 27, 26, 24, 23 except 42=265(LC 10)

FORCES. (b) - Max. Comp./Max. Ten. - All forces 250 (lb) or less except when shown.
TOP CHORD 8-9=-48/251, 9-10=-49/336, 10-11=-49/405, 11-12=-49/405, 12-13=-49/336, 13-14=-48/251
WEBS 2-42=-190/272, 20-23=-185/271

- NOTES-**
- Unbalanced roof live loads have been considered for this design.
 - Wind: ASCE 7-05; 100mph; TCDL=6.0psf; BCDL=5.0psf; h=15ft; Cat. II; Exp C; enclosed; MWFRS (low-rise) and C-C Corner(3) 0-0-0 to 4-4-13, Exterior(2) 4-4-13 to 14-10-11, Corner(3) 14-10-11 to 19-3-8, Exterior(2) 23-8-5 to 34-2-3 zone; C-C for members and forces & MWFRS for reactions shown; Lumber DOL=1.60 plate grip DOL=1.60
 - Truss designed for wind loads in the plane of the truss only. For studs exposed to wind (normal to the face), see Standard Industry Gable End Details as applicable, or consult qualified building designer as per ANSI/TPI 1.
 - All plates are 2x4 MT20 unless otherwise indicated.
 - Gable requires continuous bottom chord bearing.
 - Gable studs spaced at 2-0-0 oc.
 - This truss has been designed for a 10.0 psf bottom chord live load nonconcurrent with any other live loads.
 - * This truss has been designed for a live load of 20.0psf on the bottom chord in all areas with a clearance greater than 6-0-0 between the bottom chord and any other members, with BCDL = 10.0psf.
 - Provide mechanical connection (by others) of truss to bearing plate capable of withstanding 100 lb uplift at joint(s) 1, 29, 22, 34, 36, 37, 38, 39, 40, 41, 42, 32, 31, 30, 28, 27, 26, 24, 23.
 - Beveled plate or shim required to provide full bearing surface with truss chord at joint(s) 1, 25, 28, 27, 26, 24, 23.
 - Warning: Additional permanent and stability bracing for truss system (not part of this component design) is always required.

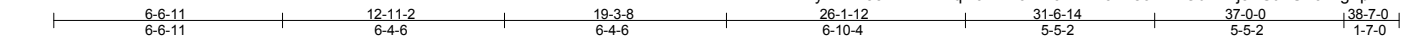


October 31, 2018

Job J0918-4435	Truss A10	Truss Type ROOF SPECIAL	Qty 23	Ply 1	Jason Price / Campbell Pointe Bldg. 26	E12370830
-------------------	--------------	----------------------------	-----------	----------	--	-----------

Comtech, Inc., Fayetteville, NC 28309

8.130 s Mar 11 2018 MiTek Industries, Inc. Wed Oct 31 12:57:37 2018 Page 1
ID:ZzXTyMvxB55ZLn?FA7qN0rzLZck-w0XXzchP8o1ziKOdB77j5VSu4UYJxLgFpXhWwyNuDi



Scale = 1:66.1

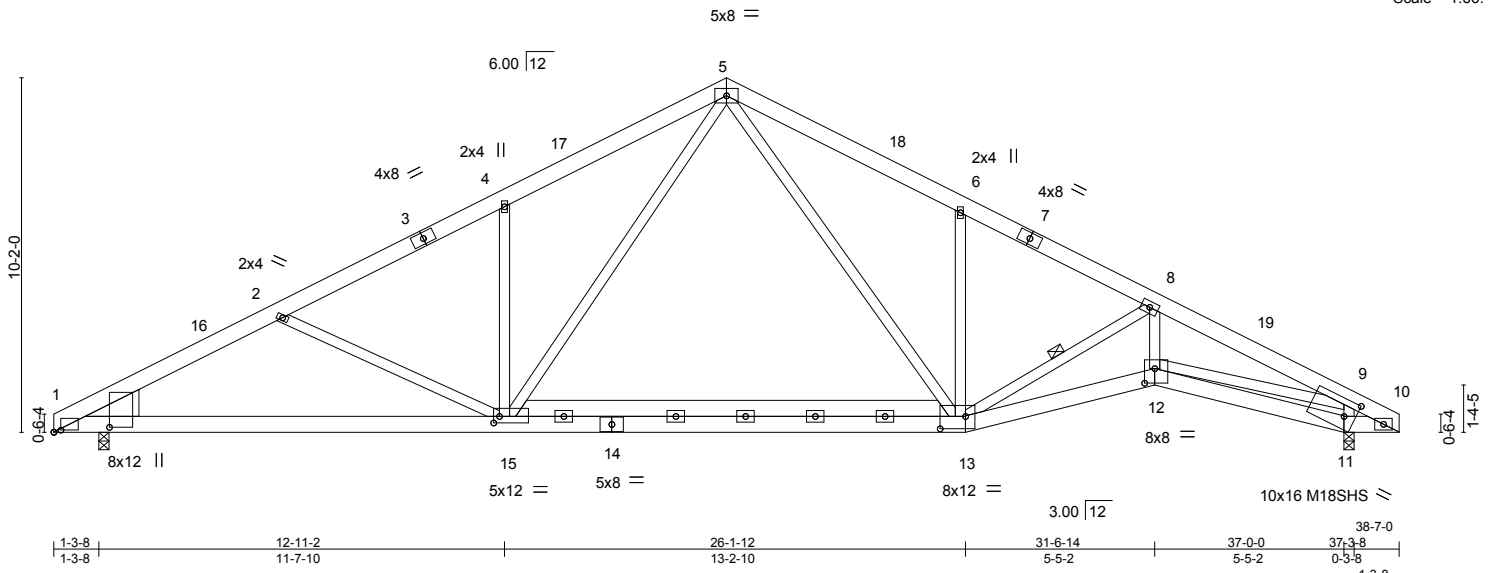


Plate Offsets (X,Y)-- [1:0-1-10,1-7-2], [1:0-2-6,0-0-11], [11:0-3-12,0-5-12], [12:0-3-8,0-5-0], [13:0-8-12,0-4-4], [15:0-2-0,0-2-4]

LOADING (psf)	SPACING-	2-0-0	CSI.	DEFL.	in (loc)	l/defl	L/d	PLATES	GRIP
TCLL 20.0	Plate Grip DOL	1.15	TC 0.91	Vert(LL)	-0.39 13-15	>999	360	MT20	244/190
TCDL 10.0	Lumber DOL	1.15	BC 0.74	Vert(TL)	-0.61 13-15	>720	240	M18SHS	244/190
BCLL 0.0 *	Rep Stress Incr	YES	WB 0.86	Horz(TL)	0.17 11	n/a	n/a		
BCDL 10.0	Code IRC2009/TPI2007		Matrix-S	Wind(LL)	0.09 12-13	>999	240		
								Weight: 310 lb	FT = 20%

LUMBER-

TOP CHORD 2x6 SP No.1
 BOT CHORD 2x6 SP No.1
 WEBS 2x4 SP No.3 *Except*
 5-15,5-13,9-12: 2x4 SP No.2, 13-15: 2x6 SP No.1

WEDGE
 Left: 2x10 SP No.1

BRACING-

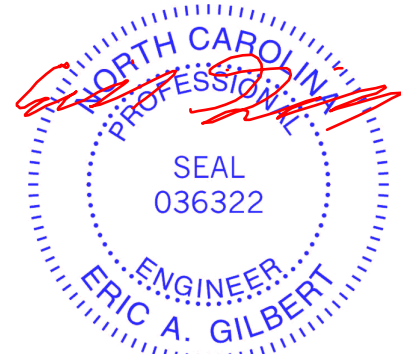
TOP CHORD Structural wood sheathing directly applied or 3-4-2 oc purlins.
 BOT CHORD Rigid ceiling directly applied or 10-0-0 oc bracing.
 WEBS 1 Row at midpt 8-13

REACTIONS. (lb/size) 11=2019/0-3-8, 1=1845/0-3-8
 Max Horz 1=124(LC 4)
 Max Uplift 11=170(LC 7), 1=122(LC 6)

FORCES. (lb) - Max. Comp./Max. Ten. - All forces 250 (lb) or less except when shown.
 TOP CHORD 1-2=-3665/760, 2-4=-3250/620, 4-5=-3243/762, 5-6=-3122/767, 6-8=-3044/610,
 8-9=-4567/789, 9-10=-793/113
 BOT CHORD 1-15=-585/3210, 13-15=-181/1939, 12-13=-596/4050, 11-12=-39/481, 10-11=-129/831
 WEBS 2-15=-420/278, 4-15=-400/247, 5-15=-263/1604, 5-13=-260/1341, 6-13=-456/259,
 8-13=-1494/293, 8-12=-121/1265, 9-12=-546/3520, 9-11=-1874/490

NOTES-

- Unbalanced roof live loads have been considered for this design.
- Wind: ASCE 7-05; 100mph; TCDL=6.0psf; BCDL=5.0psf; h=15ft; Cat. II; Exp C; enclosed; MWFRS (low-rise) and C-C Exterior(2)
 0-1-12 to 4-6-9, Interior(1) 4-6-9 to 14-10-11, Exterior(2) 14-10-11 to 19-3-8, Interior(1) 23-8-5 to 34-2-3 zone; cantilever left and right exposed ;C-C for members and forces & MWFRS for reactions shown; Lumber DOL=1.60 plate grip DOL=1.60
- All plates are MT20 plates unless otherwise indicated.
- All plates are 4x6 MT20 unless otherwise indicated.
- This truss has been designed for a 10.0 psf bottom chord live load nonconcurrent with any other live loads.
- * This truss has been designed for a live load of 30.0psf on the bottom chord in all areas with a clearance greater than 6-0-0 between the bottom chord and any other members, with BCDL = 10.0psf.
- Provide mechanical connection (by others) of truss to bearing plate capable of withstanding 100 lb uplift at joint(s) except (jt=lb) 11=170, 1=122.



October 31,2018

WARNING - Verify design parameters and READ NOTES ON THIS AND INCLUDED MITEK REFERENCE PAGE MII-7473 rev. 10/03/2015 BEFORE USE.

Design valid for use only with MiTek® connectors. This design is based only upon parameters shown, and is for an individual building component, not a truss system. Before use, the building designer must verify the applicability of design parameters and properly incorporate this design into the overall building design. Bracing indicated is to prevent buckling of individual truss web and/or chord members only. Additional temporary and permanent bracing is always required for stability and to prevent collapse with possible personal injury and property damage. For general guidance regarding the fabrication, storage, delivery, erection and bracing of trusses and truss systems, see ANSI/TPI1 Quality Criteria, DSB-89 and BCSI Building Component Safety Information available from Truss Plate Institute, 218 N. Lee Street, Suite 312, Alexandria, VA 22314.

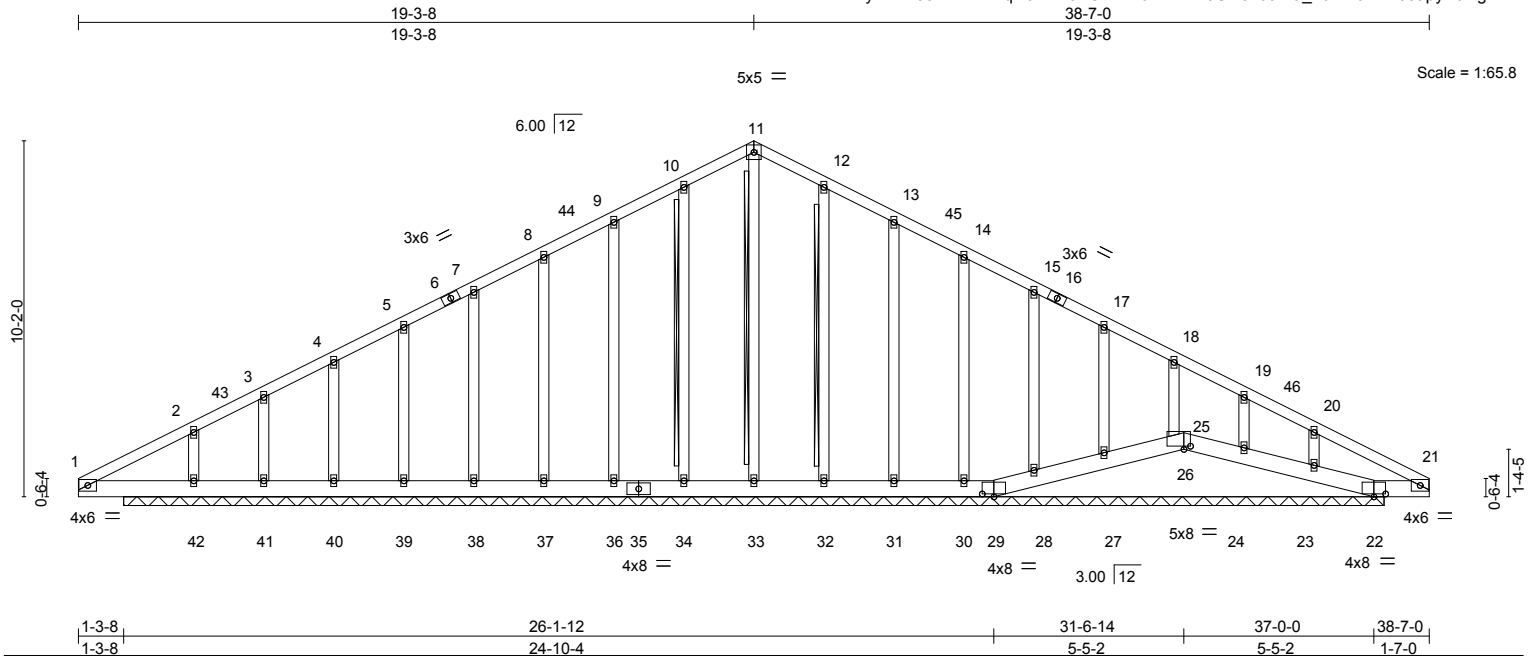


818 Soundside Road
 Edenton, NC 27932

Job J0918-4435	Truss A11	Truss Type GABLE	Qty 1	Ply 1	Jason Price / Campbell Pointe Bldg. 26	E12370831
-------------------	--------------	---------------------	----------	----------	--	-----------

Comtech, Inc., Fayetteville, NC 28309

8.130 s Mar 11 2018 MiTek Industries, Inc. Wed Oct 31 12:57:39 2018 Page 1
ID:ZzXTyMvxB55ZLn?FA7qN0rzLZck-sPfHxfdxm2lD0Unlc1boWa_FuKin0Ez70oapyNuDg



LOADING (psf)	SPACING-	2-0-0	CSI.	DEFL.	in (loc)	l/defl	L/d	PLATES	GRIP
TCLL 20.0	Plate Grip DOL	1.15	TC 0.15	Vert(LL)	n/a	-	n/a	MT20	244/190
TCDL 10.0	Lumber DOL	1.15	BC 0.12	Vert(TL)	n/a	-	n/a		
BCLL 0.0 *	Rep Stress Incr	YES	WB 0.13	Horz(TL)	0.01	22	n/a		
BCDL 10.0	Code IRC2009/TPI2007		Matrix-S					Weight: 283 lb	FT = 20%

LUMBER-
TOP CHORD 2x4 SP No.1
BOT CHORD 2x6 SP No.1
OTHERS 2x4 SP No.3

BRACING-
TOP CHORD Structural wood sheathing directly applied or 10-0-0 oc purlins.
BOT CHORD Rigid ceiling directly applied or 6-0-0 oc bracing.
WEBS T-Brace: 2x4 SPF No.2 - 11-33, 10-34, 12-32
Fasten (2X) T and I braces to narrow edge of web with 10d (0.131"x3") nails, 6in o.c., with 3in minimum end distance.
Brace must cover 90% of web length.

REACTIONS. All bearings 36-0-0.
(lb) - Max Horz 42=-126(LC 4)
Max Uplift All uplift 100 lb or less at joint(s) 29, 25, 22, 34, 36, 37, 38, 39, 40, 42, 32, 31, 30, 28, 27, 26, 24, 23 except 41=100(LC 6)
Max Grav All reactions 250 lb or less at joint(s) 29, 25, 22, 36, 37, 38, 39, 40, 41, 31, 30, 28, 27, 26, 24, 23 except 33=347(LC 1), 34=255(LC 10), 42=414(LC 10), 32=253(LC 1)

FORCES. (lb) - Max. Comp./Max. Ten. - All forces 250 (lb) or less except when shown.
TOP CHORD 9-10=0/330, 10-11=0/415, 11-12=0/415, 12-13=0/330
WEBS 2-42=-216/274, 20-23=-190/279

- NOTES-**
- Unbalanced roof live loads have been considered for this design.
 - Wind: ASCE 7-05; 100mph; TCDL=6.0psf; BCDL=5.0psf; h=15ft; Cat. II; Exp C; enclosed; MWFRS (low-rise) and C-C Corner(3) 0-0-0 to 4-4-13, Exterior(2) 4-4-13 to 14-10-11, Corner(3) 14-10-11 to 19-3-8, Exterior(2) 23-8-5 to 34-2-3 zone; cantilever left and right exposed ;C-C for members and forces & MWFRS for reactions shown; Lumber DOL=1.60 plate grip DOL=1.60
 - Truss designed for wind loads in the plane of the truss only. For studs exposed to wind (normal to the face), see Standard Industry Gable End Details as applicable, or consult qualified building designer as per ANSI/TPI 1.
 - All plates are 2x4 MT20 unless otherwise indicated.
 - Gable studs spaced at 2-0-0 oc.
 - This truss has been designed for a 10.0 psf bottom chord live load nonconcurrent with any other live loads.
 - * This truss has been designed for a live load of 20.0psf on the bottom chord in all areas with a clearance greater than 6-0-0 between the bottom chord and any other members, with BCDL = 10.0psf.
 - Provide mechanical connection (by others) of truss to bearing plate capable of withstanding 100 lb uplift at joint(s) 29, 25, 22, 34, 36, 37, 38, 39, 40, 42, 32, 31, 30, 28, 27, 26, 24, 23 except (jt=lb) 41=100.
 - Non Standard bearing condition. Review required.
 - Warning: Additional permanent and stability bracing for truss system (not part of this component design) is always required.



October 31, 2018

Job J0918-4435	Truss A12	Truss Type ROOF SPECIAL SUPPORT	Qty 2	Ply 1	Jason Price / Campbell Pointe Bldg. 26	E12370832
-------------------	--------------	------------------------------------	----------	----------	--	-----------

Comtech, Inc., Fayetteville, NC 28309

8.130 s Mar 11 2018 MiTek Industries, Inc. Wed Oct 31 12:57:42 2018 Page 1

ID:ZzXTyMvxB55ZLn?FA7qN0rLZck-H_LQagggEhQK4TCMQkaIQ9CWa5Mo_NpPO5ESB8yNuDd

Job Reference (optional)

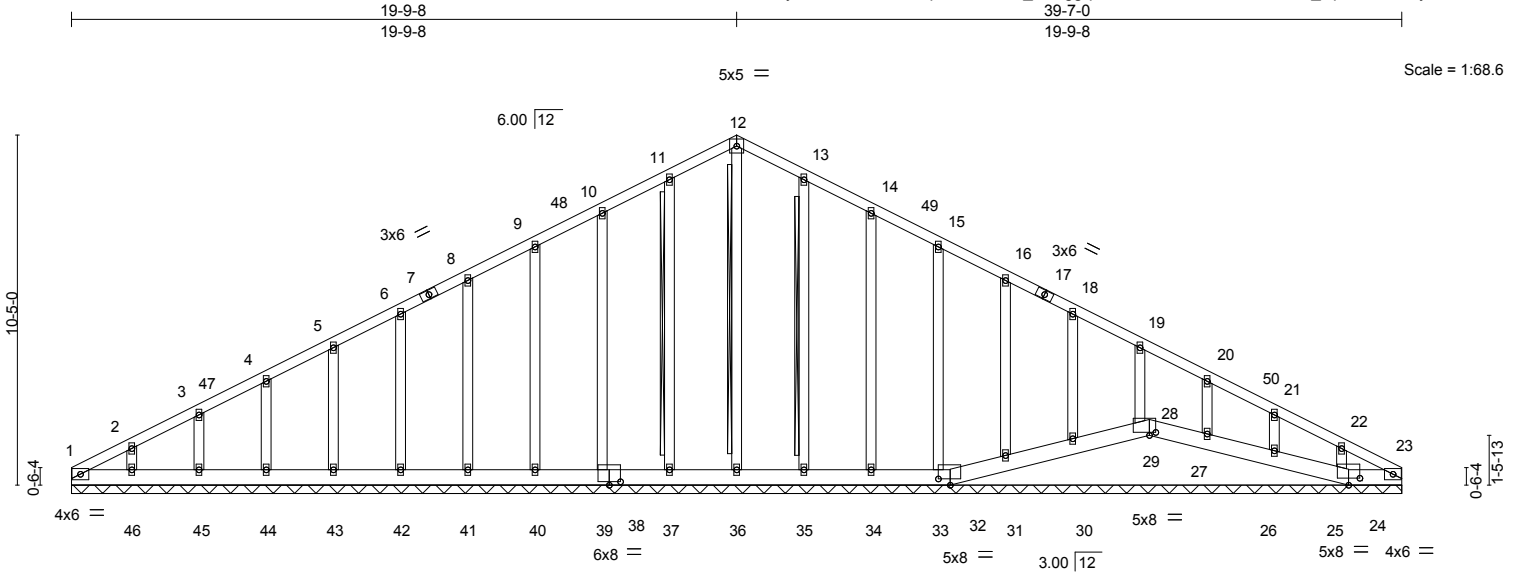


Plate Offsets (X,Y)-- [24:0-0-0,0-2-12], [24:0-4-0,0-2-8], [25:0-1-12,0-0-7], [28:0-0-0,0-2-13], [28:0-2-4,0-1-1], [29:0-1-12,0-0-7], [32:0-0-0,0-2-12], [32:0-4-4,0-2-4], [33:0-1-12,0-0-0], [38:0-4-0,0-1-4], [38:0-0-0,0-2-12], [39:0-1-12,0-0-0]

LOADING (psf)	SPACING-	CSI.	DEFL.	PLATES	GRIP
TCLL 20.0	2-0-0	TC 0.08	in (loc) l/defl L/d	MT20	244/190
TCDL 10.0	Plate Grip DOL 1.15	BC 0.03	Vert(LL) n/a - n/a 999		
BCLL 0.0 *	Lumber DOL 1.15	WB 0.15	Vert(TL) n/a - n/a 999		
BCDL 10.0	Rep Stress Incr YES	Matrix-S	Horz(TL) 0.01 23 n/a n/a		
	Code IRC2009/TPI2007			Weight: 294 lb	FT = 20%

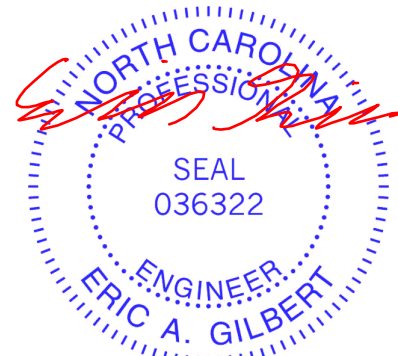
LUMBER-
TOP CHORD 2x4 SP No.1
BOT CHORD 2x6 SP No.1
OTHERS 2x4 SP No.3

BRACING-
TOP CHORD Structural wood sheathing directly applied or 6-0-0 oc purlins.
BOT CHORD Rigid ceiling directly applied or 10-0-0 oc bracing, Except:
6-0-0 oc bracing: 28-29.
WEBS T-Brace: 2x4 SPF No.2 - 12-36, 11-37, 13-35
Fasten (2X) T and I braces to narrow edge of web with 10d (0.131"x3") nails, 6in o.c., with 3in minimum end distance.
Brace must cover 90% of web length.

REACTIONS. All bearings 39-7-0.
(lb) - Max Horz 1=-129(LC 4)
Max Uplift All uplift 100 lb or less at joint(s) 1, 32, 24, 37, 39, 40, 41, 42, 43, 44, 45, 46, 35, 34, 33, 31, 30, 29, 27, 26, 25
Max Grav All reactions 250 lb or less at joint(s) 1, 32, 28, 24, 23, 36, 37, 39, 40, 41, 42, 43, 44, 45, 46, 35, 34, 33, 31, 30, 29, 27, 26, 25

FORCES. (lb) - Max. Comp./Max. Ten. - All forces 250 (lb) or less except when shown.
TOP CHORD 1-2=-253/27, 10-11=-43/312, 11-12=-46/397, 12-13=-46/397, 13-14=-43/312, 22-23=-253/19
BOT CHORD 1-46=0/251, 45-46=0/251, 44-45=0/251, 43-44=0/251, 42-43=0/251, 41-42=0/251, 40-41=0/251, 39-40=0/251, 37-39=0/251, 36-37=0/251, 35-36=0/251, 34-35=0/251, 33-34=0/251, 32-33=0/251, 31-32=-2/262, 30-31=-4/262, 29-30=-5/262, 28-29=-3/256, 27-28=-5/260, 26-27=-5/262, 25-26=-4/262, 24-25=0/266, 23-24=0/251

- NOTES-**
- Unbalanced roof live loads have been considered for this design.
 - Wind: ASCE 7-05; 100mph; TCDL=6.0psf; BCDL=5.0psf; h=15ft; Cat. II; Exp C; enclosed; MWFRS (low-rise) and C-C Corner(3) 0-0-0 to 4-4-13, Exterior(2) 4-4-13 to 15-4-11, Corner(3) 15-4-11 to 19-9-8, Exterior(2) 24-2-5 to 35-2-3 zone; C-C for members and forces & MWFRS for reactions shown; Lumber DOL=1.60 plate grip DOL=1.60
 - Truss designed for wind loads in the plane of the truss only. For studs exposed to wind (normal to the face), see Standard Industry Gable End Details as applicable, or consult qualified building designer as per ANSI/TPI 1.
 - All plates are 2x4 MT20 unless otherwise indicated.
 - Gable requires continuous bottom chord bearing.
 - Gable studs spaced at 2-0-0 oc.
 - This truss has been designed for a 10.0 psf bottom chord live load nonconcurrent with any other live loads.
 - * This truss has been designed for a live load of 20.0psf on the bottom chord in all areas with a clearance greater than 6-0-0 between the bottom chord and any other members, with BCDL = 10.0psf.
 - Provide mechanical connection (by others) of truss to bearing plate capable of withstanding 100 lb uplift at joint(s) 1, 32, 24, 37, 39, 40, 41, 42, 43, 44, 45, 46, 35, 34, 33, 31, 30, 29, 27, 26, 25.
 - Beveled plate or shim required to provide full bearing surface with truss chord at joint(s) 1, 28, 31, 30, 29, 27, 26, 25.
 - Warning: Additional permanent and stability bracing for truss system (not part of this component design) is always required.



October 31, 2018

WARNING - Verify design parameters and READ NOTES ON THIS AND INCLUDED MITEK REFERENCE PAGE MI1-7473 rev. 10/03/2015 BEFORE USE.

Design valid for use only with MiTek® connectors. This design is based only upon parameters shown, and is for an individual building component, not a truss system. Before use, the building designer must verify the applicability of design parameters and properly incorporate this design into the overall building design. Bracing indicated is to prevent buckling of individual truss web and/or chord members only. Additional temporary and permanent bracing is always required for stability and to prevent collapse with possible personal injury and property damage. For general guidance regarding the fabrication, storage, delivery, erection and bracing of trusses and truss systems, see **ANSI/TP1 Quality Criteria, DSB-89 and BCSI Building Component Safety Information** available from Truss Plate Institute, 218 N. Lee Street, Suite 312, Alexandria, VA 22314.



818 Soundside Road
Edenton, NC 27932

Job J0918-4435	Truss A13	Truss Type ROOF SPECIAL SUPPORT	Qty 1	Ply 1	Jason Price / Campbell Pointe Bldg. 26	E12370833
-------------------	--------------	------------------------------------	----------	----------	--	-----------

Comtech, Inc., Fayetteville, NC 28309

8.130 s Mar 11 2018 MiTek Industries, Inc. Wed Oct 31 12:57:44 2018 Page 1

ID:ZzXTyMvxB55ZLn?FA7qN0rzLZck-DMSA?Mh4mlh1JnMkY9dmVaHr?v2nSHRisPjZG0yNuDb

Job Reference (optional)

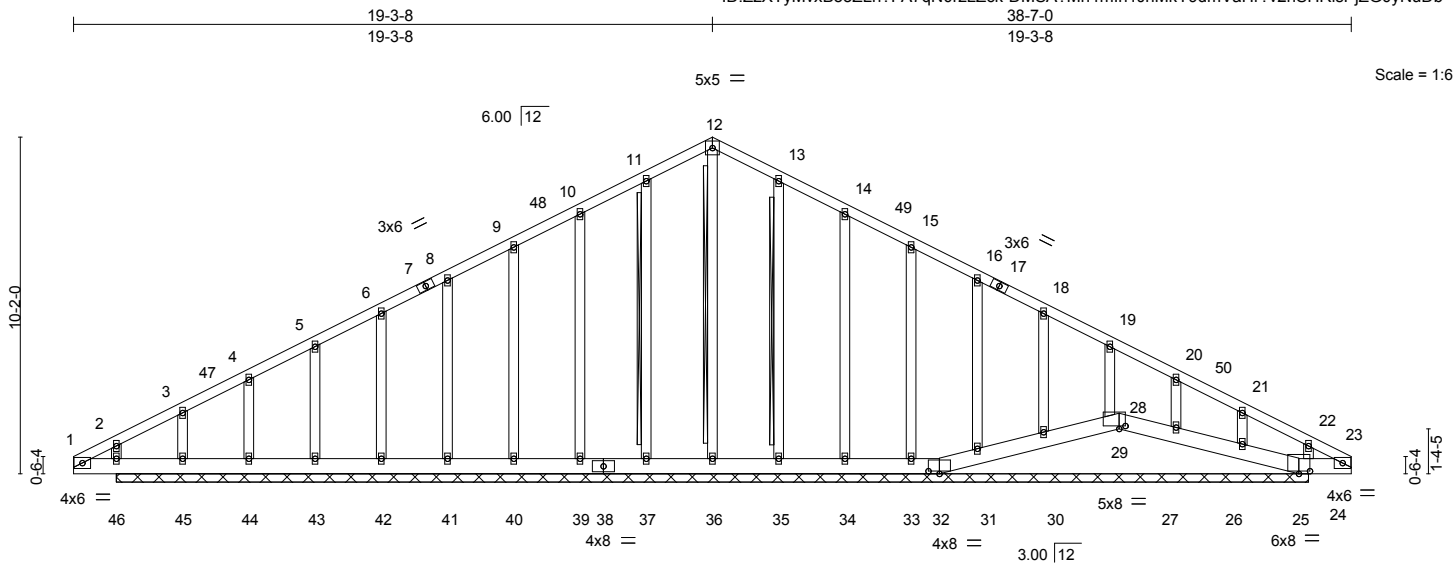


Plate Offsets (X,Y)--	[24:0-1-12,0-0-0], [25:0-4-0,0-1-0], [25:0-0-0,0-2-12], [28:0-0-0,0-2-13], [28:0-2-4,0-1-1], [29:0-1-12,0-0-7], [32:0-4-0,0-1-0]
-----------------------	--

LOADING (psf)	SPACING-	2-0-0	CSI.	DEFL.	in (loc)	l/defl	L/d	PLATES	GRIP
TCLL 20.0	Plate Grip DOL	1.15	TC 0.08	Vert(LL)	n/a	-	n/a	MT20	244/190
TCDL 10.0	Lumber DOL	1.15	BC 0.06	Vert(TL)	n/a	-	n/a		
BCLL 0.0 *	Rep Stress Incr	YES	WB 0.14	Horz(TL)	0.00	24	n/a		
BCDL 10.0	Code IRC2009/TPI2007		Matrix-S					Weight: 284 lb	FT = 20%

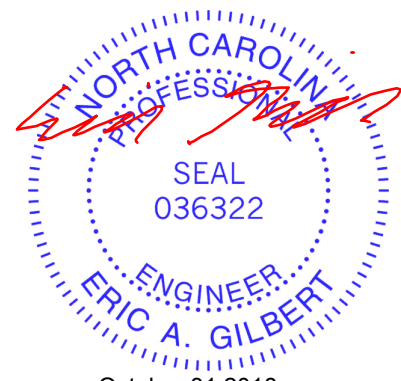
LUMBER-
TOP CHORD 2x4 SP No.1
BOT CHORD 2x6 SP No.1
OTHERS 2x4 SP No.3

BRACING-
TOP CHORD Structural wood sheathing directly applied or 6-0-0 oc purlins.
BOT CHORD Rigid ceiling directly applied or 6-0-0 oc bracing.
WEBS T-Brace: 2x4 SPF No.2 - 12-36, 11-37, 13-35
Fasten (2X) T and I braces to narrow edge of web with 10d (0.131"x3") nails, 6in o.c., with 3in minimum end distance.
Brace must cover 90% of web length.

REACTIONS. All bearings 36-0-0.
(lb) - Max Horz 46=-126(LC 4)
Max Uplift All uplift 100 lb or less at joint(s) 32, 37, 39, 40, 41, 42, 43, 44, 46, 35, 34, 33, 31, 30, 29, 27, 26, 24 except 25=-277(LC 4), 45=-103(LC 6)
Max Grav All reactions 250 lb or less at joint(s) 32, 28, 25, 36, 37, 39, 40, 41, 42, 43, 44, 45, 46, 35, 34, 33, 31, 30, 29, 27, 26 except 24=319(LC 11)

FORCES. (lb) - Max. Comp./Max. Ten. - All forces 250 (lb) or less except when shown.
TOP CHORD 9-10=0/261, 10-11=-24/345, 11-12=-26/429, 12-13=-28/429, 13-14=-24/345, 14-15=-25/261

- NOTES-**
- Unbalanced roof live loads have been considered for this design.
 - Wind: ASCE 7-05; 100mph; TCDL=6.0psf; BCDL=5.0psf; h=15ft; Cat. II; Exp C; enclosed; MWFRS (low-rise) and C-C Corner(3) 0-0-0 to 4-4-13, Exterior(2) 4-4-13 to 14-10-11, Corner(3) 14-10-11 to 19-3-8, Exterior(2) 23-8-5 to 34-2-3 zone; cantilever left and right exposed ;C-C for members and forces & MWFRS for reactions shown; Lumber DOL=1.60 plate grip DOL=1.60
 - Truss designed for wind loads in the plane of the truss only. For studs exposed to wind (normal to the face), see Standard Industry Gable End Details as applicable, or consult qualified building designer as per ANSI/TPI 1.
 - All plates are 2x4 MT20 unless otherwise indicated.
 - Gable studs spaced at 2-0-0 oc.
 - This truss has been designed for a 10.0 psf bottom chord live load nonconcurrent with any other live loads.
 - * This truss has been designed for a live load of 20.0psf on the bottom chord in all areas with a clearance greater than 6-0-0 between the bottom chord and any other members, with BCDL = 10.0psf.
 - Provide mechanical connection (by others) of truss to bearing plate capable of withstanding 100 lb uplift at joint(s) 32, 37, 39, 40, 41, 42, 43, 44, 46, 35, 34, 33, 31, 30, 29, 27, 26, 24 except (jt=lb) 25=277, 45=103.
 - Non Standard bearing condition. Review required.
 - Warning: Additional permanent and stability bracing for truss system (not part of this component design) is always required.



October 31, 2018

Job J0918-4435	Truss A14	Truss Type HIP	Qty 1	Ply 1	Jason Price / Campbell Pointe Bldg. 26	E12370834
-------------------	--------------	-------------------	----------	----------	--	-----------

Comtech, Inc., Fayetteville, NC 28309

8.130 s Mar 11 2018 MiTek Industries, Inc. Wed Oct 31 12:57:45 2018 Page 1
ID:ZzXTyMvxB55ZLn?FA7qN0rzLZck-hY0ZCiiXcpuxxxx5s8?1nq7JATBXfs43T6oSyNuDa

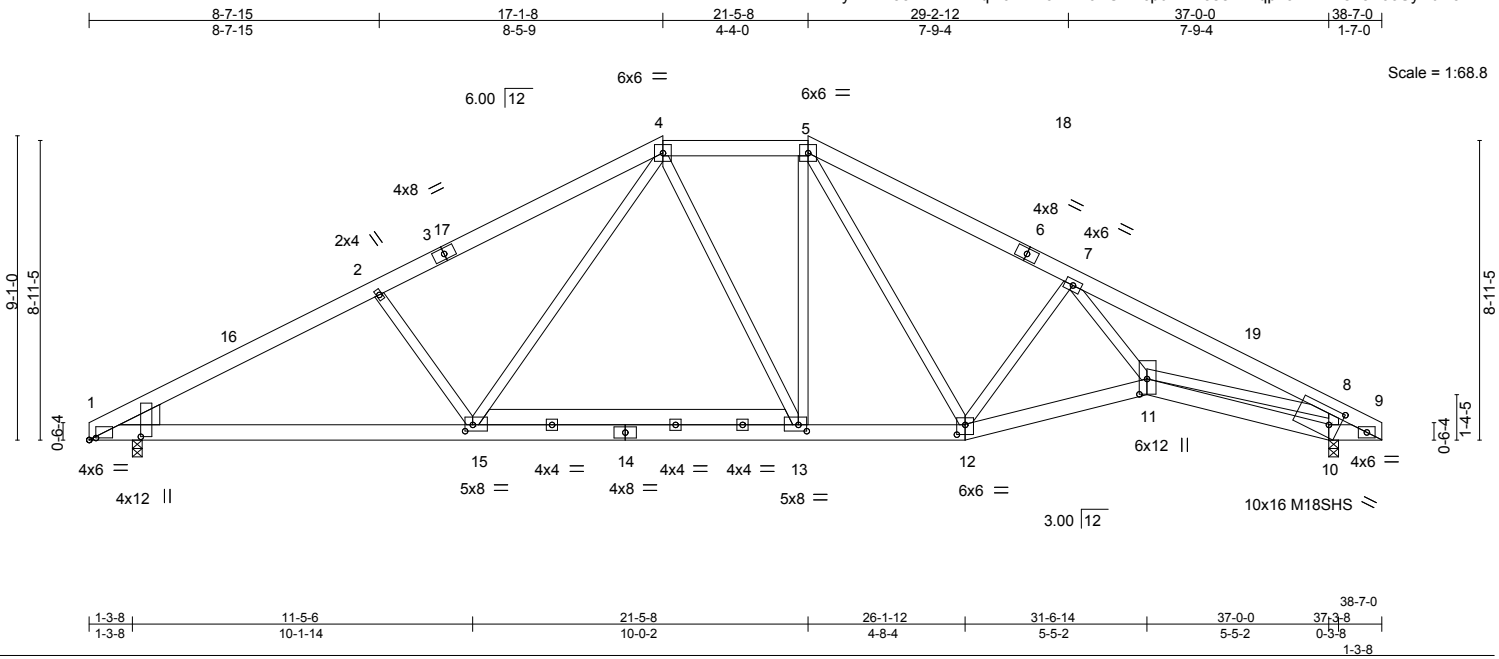


Plate Offsets (X,Y)-- [1:0-1-2,1-6-7], [1:0-2-6,0-0-11], [10:0-3-12,0-5-12], [11:0-5-8,0-2-12], [12:0-3-0,0-3-8], [13:0-3-0,0-2-4], [15:0-2-12,0-2-4]

LOADING (psf)	SPACING-	2-0-0	CSI.	DEFL.	in (loc)	l/defl	L/d	PLATES	GRIP
TCLL 20.0	Plate Grip DOL	1.15	TC 0.96	Vert(LL)	-0.23 13-15	>999	360	MT20	244/190
TCDL 10.0	Lumber DOL	1.15	BC 0.92	Vert(TL)	-0.39 13-15	>999	240	M18SHS	244/190
BCLL 0.0 *	Rep Stress Incr	YES	WB 0.91	Horz(TL)	0.17 10	n/a	n/a		
BCDL 10.0	Code IRC2009/TPI2007		Matrix-S	Wind(LL)	0.08 11-12	>999	240		
								Weight: 301 lb	FT = 20%

LUMBER-

TOP CHORD 2x6 SP No.1
 BOT CHORD 2x6 SP No.1
 WEBS 2x4 SP No.3 *Except*
 8-11: 2x4 SP No.2, 13-15: 2x6 SP No.1

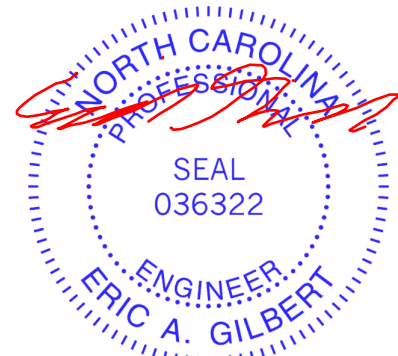
WEDGE
 Left: 2x8 SP No.1

REACTIONS. (lb/size) 10=2047/0-3-8, 1=1900/0-3-8
 Max Horz 1=-110(LC 4)
 Max Uplift 10=-159(LC 7), 1=-112(LC 6)

FORCES. (lb) - Max. Comp./Max. Ten. - All forces 250 (lb) or less except when shown.
 TOP CHORD 1-2=-3737/840, 2-4=-3446/822, 4-5=-2409/680, 5-7=-2937/752, 7-8=-4682/928,
 8-9=-742/141
 BOT CHORD 1-15=-638/3265, 13-15=-311/2336, 12-13=-294/2398, 11-12=-607/3303, 10-11=-59/418,
 9-10=-159/770
 WEBS 2-15=-481/351, 4-15=-206/1156, 4-13=-55/363, 5-13=-18/736, 7-12=-1166/394,
 7-11=-186/1574, 8-11=-636/3694, 8-10=-1887/544, 5-12=-138/362

NOTES-

- Unbalanced roof live loads have been considered for this design.
- Wind: ASCE 7-05; 100mph; TCDL=6.0psf; BCDL=5.0psf; h=15ft; Cat. II; Exp C; enclosed; MWFRS (low-rise) and C-C Exterior(2)
 0-1-12 to 4-6-9, Interior(1) 4-6-9 to 10-10-13, Exterior(2) 10-10-13 to 27-8-3, Interior(1) 27-8-3 to 34-2-3 zone; cantilever left and right exposed; C-C for members and forces & MWFRS for reactions shown; Lumber DOL=1.60 plate grip DOL=1.60
- Provide adequate drainage to prevent water ponding.
- All plates are MT20 plates unless otherwise indicated.
- This truss has been designed for a 10.0 psf bottom chord live load nonconcurrent with any other live loads.
- * This truss has been designed for a live load of 30.0psf on the bottom chord in all areas with a clearance greater than 6-0-0 between the bottom chord and any other members, with BCDL = 10.0psf.
- Provide mechanical connection (by others) of truss to bearing plate capable of withstanding 100 lb uplift at joint(s) except (jt=lb) 10=159, 1=112.



October 31, 2018

WARNING - Verify design parameters and READ NOTES ON THIS AND INCLUDED MITEK REFERENCE PAGE MII-7473 rev. 10/03/2015 BEFORE USE.

Design valid for use only with MiTek® connectors. This design is based only upon parameters shown, and is for an individual building component, not a truss system. Before use, the building designer must verify the applicability of design parameters and properly incorporate this design into the overall building design. Bracing indicated is to prevent buckling of individual truss web and/or chord members only. Additional temporary and permanent bracing is always required for stability and to prevent collapse with possible personal injury and property damage. For general guidance regarding the fabrication, storage, delivery, erection and bracing of trusses and truss systems, see **ANSI/TPI1 Quality Criteria, DSB-89 and BCSI Building Component Safety Information** available from Truss Plate Institute, 218 N. Lee Street, Suite 312, Alexandria, VA 22314.



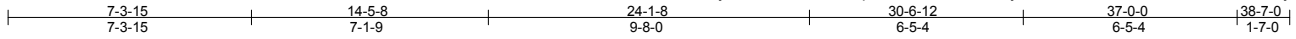
818 Soundside Road
 Edenton, NC 27932

Job J0918-4435	Truss A15	Truss Type HIP	Qty 1	Ply 1	Jason Price / Campbell Pointe Bldg. 26	E12370835
-------------------	--------------	-------------------	----------	----------	--	-----------

Comtech, Inc., Fayetteville, NC 28309

8.130 s Mar 11 2018 MiTek Industries, Inc. Wed Oct 31 12:57:47 2018 Page 1

ID:ZzXTyMvxB55ZLn?FA7qN0rzLZck-ex8JdOkY3D3cAE5JDHAT7Cv9M6smfRI9YNyDsLyNuDY



Scale = 1:69.4

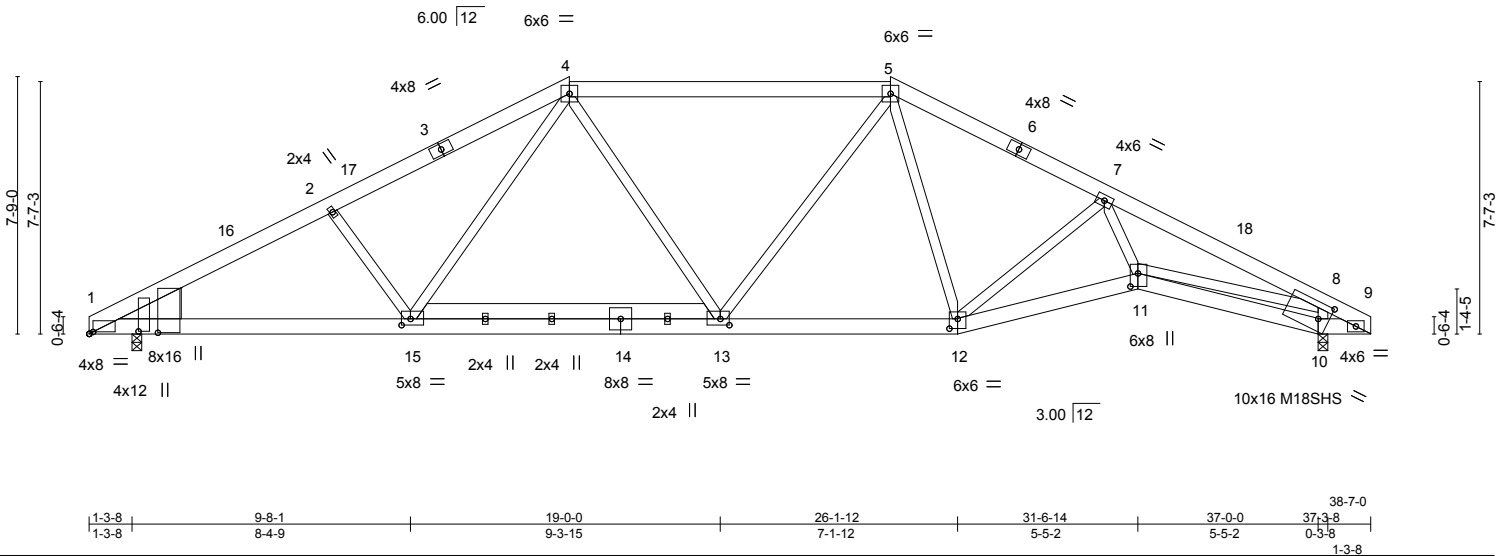


Plate Offsets (X,Y)-- [1:0-0-6,2-0-13], [1:0-0-14,1-5-13], [1:0-1-6,Edge], [10:0-3-12,0-5-12], [11:0-4-12,0-2-12], [12:0-3-0,0-3-8], [13:0-3-4,0-2-4], [15:0-3-4,0-2-4]

LOADING (psf)	SPACING-	2-0-0	CSI.	DEFL.	in (loc)	l/defl	L/d	PLATES	GRIP
TCLL 20.0	Plate Grip DOL	1.15	TC 0.91	Vert(LL)	-0.20 13-15	>999	360	MT20	244/190
TCDL 10.0	Lumber DOL	1.15	BC 0.94	Vert(TL)	-0.54 13-15	>820	240	M18SHS	244/190
BCLL 0.0 *	Rep Stress Incr	NO	WB 0.90	Horz(TL)	0.18 10	n/a	n/a		
BCDL 10.0	Code IRC2009/TPI2007		Matrix-S	Wind(LL)	0.21 13-15	>999	240		
								Weight: 295 lb	FT = 20%

LUMBER-
TOP CHORD 2x6 SP No.1
BOT CHORD 2x6 SP No.1
WEBS 2x4 SP No.3 *Except*
8-11: 2x4 SP No.2, 13-15: 2x6 SP No.1

BRACING-
TOP CHORD Structural wood sheathing directly applied or 3-4-12 oc purlins.
BOT CHORD Rigid ceiling directly applied or 8-0-15 oc bracing.

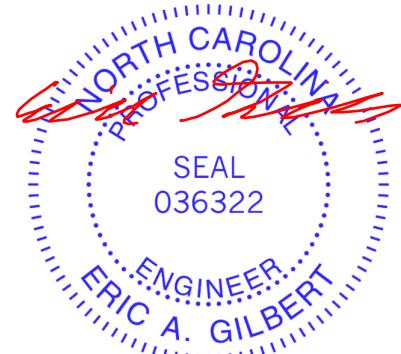
WEDGE
Left: 2x12 SP No.1

REACTIONS. (lb/size) 10=1993/0-3-8, 1=1927/0-3-8
Max Horz 1=-92(LC 4)
Max Uplift 10=-171(LC 7), 1=-141(LC 6)

FORCES. (lb) - Max. Comp./Max. Ten. - All forces 250 (lb) or less except when shown.
TOP CHORD 1-2=-3764/1170, 2-4=-3528/1171, 4-5=-2718/934, 5-7=-2813/909, 7-8=-4528/1236,
8-9=-753/178
BOT CHORD 1-15=-939/3267, 13-15=-619/2570, 12-13=-540/2411, 11-12=-905/3538, 10-11=-74/444,
9-10=-195/788
WEBS 2-15=-334/282, 4-15=-291/927, 4-13=-7/413, 5-13=-93/644, 5-12=-26/282,
7-12=-1286/446, 7-11=-274/1445, 8-11=-903/3527, 8-10=-1853/645

- NOTES-**
- Unbalanced roof live loads have been considered for this design.
 - Wind: ASCE 7-05; 100mph; TCDL=6.0psf; BCDL=5.0psf; h=15ft; Cat. II; Exp C; enclosed; MWFRS (low-rise) and C-C Exterior(2)
0-1-12 to 4-6-9, Interior(1) 4-6-9 to 8-2-13, Exterior(2) 8-2-13 to 30-6-12, Interior(1) 30-6-12 to 34-2-3 zone; cantilever left and right exposed; C-C for members and forces & MWFRS for reactions shown; Lumber DOL=1.60 plate grip DOL=1.60
 - Provide adequate drainage to prevent water ponding.
 - All plates are MT20 plates unless otherwise indicated.
 - This truss has been designed for a 10.0 psf bottom chord live load nonconcurrent with any other live loads.
 - * This truss has been designed for a live load of 20.0psf on the bottom chord in all areas with a clearance greater than 6-0-0 between the bottom chord and any other members, with BCDL = 10.0psf.
 - Provide mechanical connection (by others) of truss to bearing plate capable of withstanding 100 lb uplift at joint(s) except (jt=lb) 10=171, 1=141.

LOAD CASE(S) Standard
1) Dead + Roof Live (balanced) + Uninhab. Attic Storage: Lumber Increase=1.15, Plate Increase=1.15
Uniform Loads (plf)
Vert: 1-4=-60, 4-5=-60, 5-9=-60, 1-15=-20, 13-15=-80, 12-13=-60, 11-12=-20, 10-11=-20, 9-10=-20



October 31, 2018

WARNING - Verify design parameters and READ NOTES ON THIS AND INCLUDED MITEK REFERENCE PAGE MII-7473 rev. 10/03/2015 BEFORE USE.

Design valid for use only with MiTek® connectors. This design is based only upon parameters shown, and is for an individual building component, not a truss system. Before use, the building designer must verify the applicability of design parameters and properly incorporate this design into the overall building design. Bracing indicated is to prevent buckling of individual truss web and/or chord members only. Additional temporary and permanent bracing is always required for stability and to prevent collapse with possible personal injury and property damage. For general guidance regarding the fabrication, storage, delivery, erection and bracing of trusses and truss systems, see ANS/TP1 Quality Criteria, DSB-89 and BCSI Building Component Safety Information available from Truss Plate Institute, 218 N. Lee Street, Suite 312, Alexandria, VA 22314.



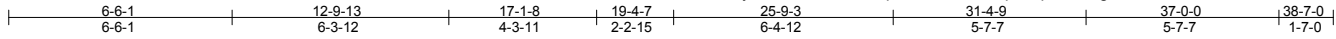
818 Soundside Road
Edenton, NC 27932

Job J0918-4435	Truss A16	Truss Type HIP	Qty 1	Ply 1	Jason Price / Campbell Pointe Bldg. 26	E12370836
-------------------	--------------	-------------------	----------	----------	--	-----------

Comtech, Inc., Fayetteville, NC 28309

8.130 s Mar 11 2018 MiTek Industries, Inc. Wed Oct 31 12:57:48 2018 Page 1

ID:ZzXTyMvxB55ZLn?FA7qN0rzLZck-67ihqkaqXBToOgWn?hifQSJHWCWOwYIm1hnPnyNuDX



Scale = 1:67.1

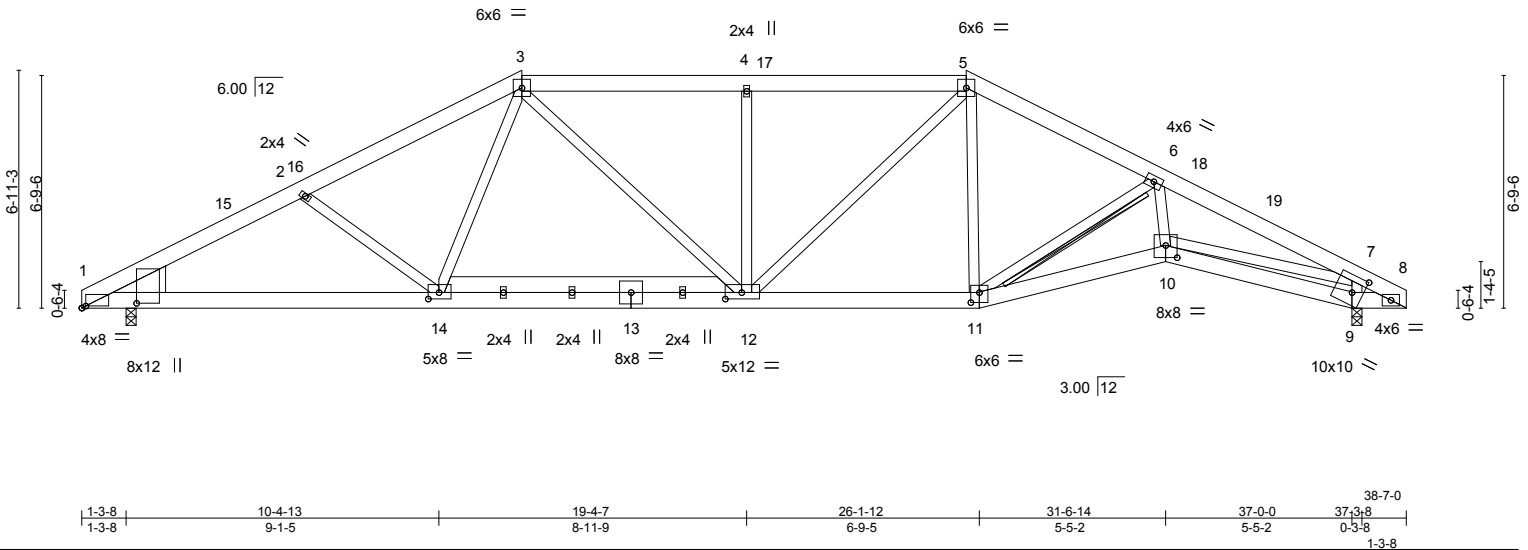


Plate Offsets (X,Y)-- [1:0-1-10,1-7-2], [1:0-1-6,Edge], [9:0-3-12,0-5-12], [10:0-4-0,0-4-4], [11:0-3-0,0-3-8], [12:0-5-12,0-2-4], [14:0-3-12,0-2-4]

LOADING (psf)	SPACING-	2-0-0	CSI.	DEFL.	in (loc)	l/defl	L/d	PLATES	GRIP
TCLL 20.0	Plate Grip DOL	1.15	TC 0.96	Vert(LL)	-0.20 12-14	>999	360	MT20	244/190
TCDL 10.0	Lumber DOL	1.15	BC 0.84	Vert(TL)	-0.53 12-14	>842	240		
BCLL 0.0 *	Rep Stress Incr	NO	WB 0.77	Horz(TL)	0.18 9	n/a	n/a		
BCDL 10.0	Code IRC2009/TPI2007		Matrix-S	Wind(LL)	0.21 12-14	>999	240	Weight: 296 lb	FT = 20%

LUMBER-
TOP CHORD 2x6 SP No.1
BOT CHORD 2x6 SP No.1
WEBS 2x4 SP No.3 *Except*
7-10: 2x4 SP No.2, 12-14: 2x6 SP No.1
WEDGE
Left: 2x10 SP No.1

BRACING-
TOP CHORD Structural wood sheathing directly applied or 3-7-7 oc purlins.
BOT CHORD Rigid ceiling directly applied or 7-9-10 oc bracing.
WEBS T-Brace: 2x4 SPF No.2 - 6-11
Fasten (2X) T and I braces to narrow edge of web with 10d (0.131"x3") nails, 6in o.c., with 3in minimum end distance.
Brace must cover 90% of web length.

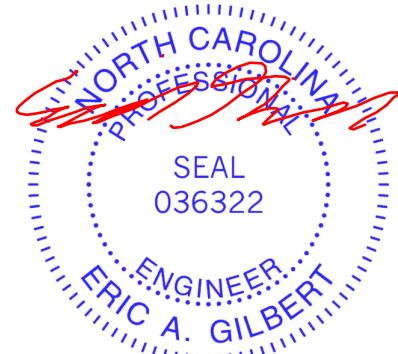
REACTIONS. (lb/size) 9=1819/0-3-8, 1=1794/0-3-8
Max Horz 1=-82(LC 4)
Max Uplift 9=-159(LC 7), 1=-128(LC 6)

FORCES. (lb) - Max. Comp./Max. Ten. - All forces 250 (lb) or less except when shown.
TOP CHORD 1-2=-3476/1210, 2-3=-3182/1118, 3-4=-2825/1085, 4-5=-2825/1085, 5-6=-2490/915,
6-7=-4058/1282, 7-8=-692/179
BOT CHORD 1-14=-988/3036, 12-14=-687/2509, 11-12=-571/2198, 10-11=-1023/3504, 9-10=-72/416,
8-9=-194/728
WEBS 2-14=-334/294, 3-14=-193/759, 3-12=-126/572, 4-12=-465/257, 5-12=-291/988,
6-11=-1451/507, 6-10=-280/1302, 7-10=-952/3138, 7-9=-1691/654

- NOTES-**
- Unbalanced roof live loads have been considered for this design.
 - Wind: ASCE 7-05; 100mph; TCDL=6.0psf; BCDL=5.0psf; h=15ft; Cat. II; Exp C; enclosed; MWFRS (low-rise) and C-C Exterior(2) 0-1-12 to 4-6-9, Interior(1) 4-6-9 to 6-7-3, Exterior(2) 6-7-3 to 12-9-13, Interior(1) 19-0-8 to 19-4-7, Exterior(2) 25-9-3 to 38-7-0 zone; cantilever left and right exposed ;C-C for members and forces & MWFRS for reactions shown; Lumber DOL=1.60 plate grip DOL=1.60
 - Provide adequate drainage to prevent water ponding.
 - This truss has been designed for a 10.0 psf bottom chord live load nonconcurrent with any other live loads.
 - * This truss has been designed for a live load of 20.0psf on the bottom chord in all areas with a clearance greater than 6-0-0 between the bottom chord and any other members.
 - Provide mechanical connection (by others) of truss to bearing plate capable of withstanding 100 lb uplift at joint(s) except (jt=lb) 9=159, 1=128.
 - Warning: Additional permanent and stability bracing for truss system (not part of this component design) is always required.

LOAD CASE(S) Standard

- Dead + Roof Live (balanced): Lumber Increase=1.15, Plate Increase=1.15
Uniform Loads (plf)
Vert: 1-3=-60, 3-5=-60, 5-8=-60, 1-14=-20, 12-14=-80, 11-12=-20, 10-11=-20, 9-10=-20, 8-9=-20



October 31, 2018

WARNING - Verify design parameters and READ NOTES ON THIS AND INCLUDED MITEK REFERENCE PAGE MII-7473 rev. 10/03/2015 BEFORE USE.

Design valid for use only with MiTek® connectors. This design is based only upon parameters shown, and is for an individual building component, not a truss system. Before use, the building designer must verify the applicability of design parameters and properly incorporate this design into the overall building design. Bracing indicated is to prevent buckling of individual truss web and/or chord members only. Additional temporary and permanent bracing is always required for stability and to prevent collapse with possible personal injury and property damage. For general guidance regarding the fabrication, storage, delivery, erection and bracing of trusses and truss systems, see ANSITPI Quality Criteria, DSB-89 and BCSI Building Component Safety Information available from Truss Plate Institute, 218 N. Lee Street, Suite 312, Alexandria, VA 22314.



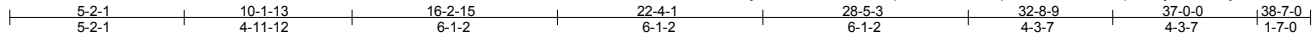
818 Soundside Road
Edenton, NC 27932

Job	Truss	Truss Type	Qty	Ply	Jason Price / Campbell Pointe Bldg. 26	E12370837
J0918-4435	A17	HIP	1	1	Job Reference (optional)	

Comtech, Inc., Fayetteville, NC 28309

8.130 s Mar 11 2018 MiTek Industries, Inc. Wed Oct 31 12:57:50 2018 Page 1

ID:ZzXTyMvxB55ZLn?FA7qN0rzLZck-2WpSFQmrM8RB1ipuuQjAkrXivKytoJbELAtTgyNuDV



Scale = 1:68.3

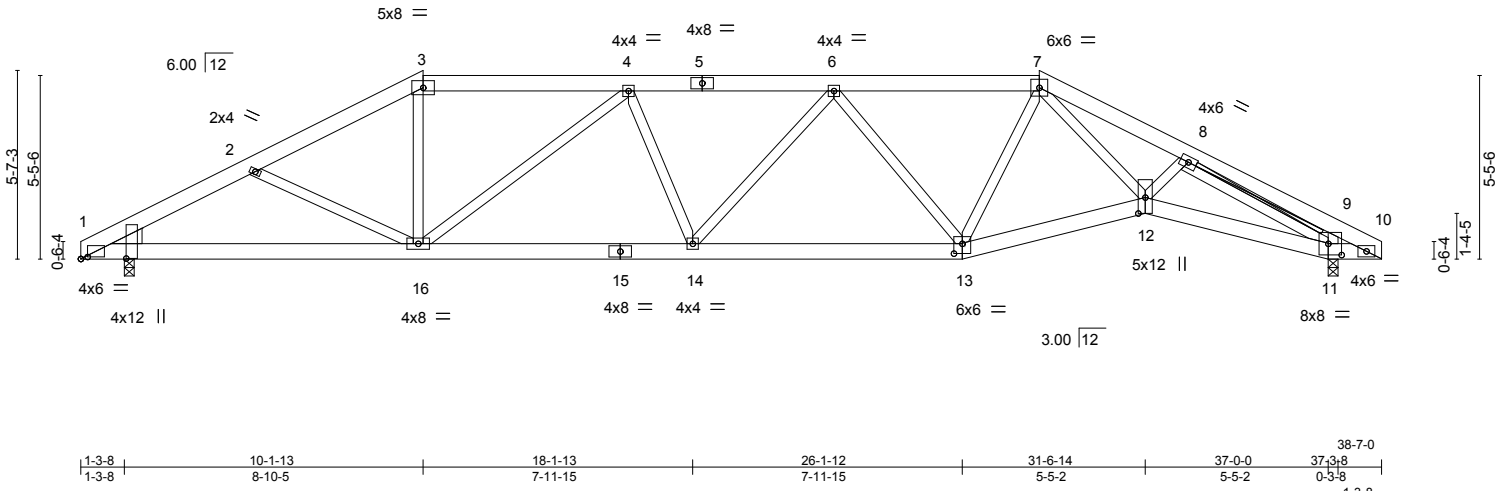


Plate Offsets (X,Y)-- [1:0-0-2,1-4-2], [1:0-2-6,0-0-11], [9:0-1-12,0-0-14], [11:0-4-12,0-4-0], [12:0-5-11,0-2-8], [13:0-3-0,0-3-8]

LOADING (psf)	SPACING-	2-0-0	CSI.	in (loc)	l/defl	L/d	PLATES	GRIP
TCLL 20.0	Plate Grip DOL	1.15	TC 0.82	Vert(LL) -0.13	14	>999	MT20	244/190
TCDL 10.0	Lumber DOL	1.15	BC 0.59	Vert(TL) -0.36	13-14	>999		
BCLL 0.0 *	Rep Stress Incr	YES	WB 0.94	Horz(TL) 0.16	11	n/a		
BCDL 10.0	Code IRC2009/TPI2007		Matrix-S	Wind(LL) 0.11	14	>999	Weight: 266 lb	FT = 20%

LUMBER-

TOP CHORD 2x6 SP No.1
 BOT CHORD 2x6 SP No.1
 WEBS 2x4 SP No.3
 WEDGE
 Left: 2x6 SP No.1

BRACING-

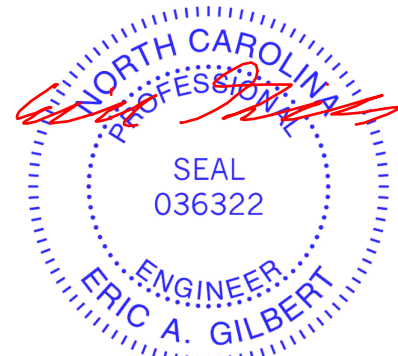
TOP CHORD Structural wood sheathing directly applied or 4-0-12 oc purlins.
 Rigid ceiling directly applied or 8-10-6 oc bracing.
 BOT CHORD
 WEBS T-Brace: 2x4 SPF No.2 - 8-11
 Fasten (2X) T and I braces to narrow edge of web with 10d (0.131"x3") nails, 6in o.c., with 3in minimum end distance.
 Brace must cover 90% of web length.

REACTIONS. (lb/size) 11=1604/0-3-8, 1=1471/0-3-8
 Max Horz 1=-65(LC 4)
 Max Uplift 11=-111(LC 7), 1=-83(LC 5)

FORCES. (lb) - Max. Comp./Max. Ten. - All forces 250 (lb) or less except when shown.
 TOP CHORD 1-2=-2771/959, 2-3=-2492/819, 3-4=-2160/781, 4-6=-2710/919, 6-7=-2224/787,
 7-8=-3326/1069, 8-9=-723/227, 9-10=-604/126
 BOT CHORD 1-16=-778/2418, 14-16=-691/2696, 13-14=-677/2614, 12-13=-550/2230, 11-12=-792/2801,
 10-11=-142/647
 WEBS 2-16=-269/278, 3-16=-159/750, 4-16=-780/213, 6-13=-700/241, 7-13=-36/257,
 7-12=-348/1258, 8-12=-23/462, 8-11=-2660/831, 9-11=-569/288

NOTES-

- Unbalanced roof live loads have been considered for this design.
- Wind: ASCE 7-05; 100mph; TCDL=6.0psf; BCDL=5.0psf; h=15ft; Cat. II; Exp C; enclosed; MWFRS (low-rise) and C-C Exterior(2)
 0-1-12 to 16-2-15, Interior(1) 16-2-15 to 22-2-8, Exterior(2) 22-2-8 to 28-5-3 zone; cantilever left and right exposed ;C-C for members and forces & MWFRS for reactions shown; Lumber DOL=1.60 plate grip DOL=1.60
- Provide adequate drainage to prevent water ponding.
- This truss has been designed for a 10.0 psf bottom chord live load nonconcurrent with any other live loads.
- * This truss has been designed for a live load of 20.0psf on the bottom chord in all areas with a clearance greater than 6-0-0 between the bottom chord and any other members.
- Provide mechanical connection (by others) of truss to bearing plate capable of withstanding 100 lb uplift at joint(s) 1 except (jt=lb) 11=111.
- Warning: Additional permanent and stability bracing for truss system (not part of this component design) is always required.



October 31, 2018

WARNING - Verify design parameters and READ NOTES ON THIS AND INCLUDED MITEK REFERENCE PAGE MII-7473 rev. 10/03/2015 BEFORE USE.

Design valid for use only with MiTek® connectors. This design is based only upon parameters shown, and is for an individual building component, not a truss system. Before use, the building designer must verify the applicability of design parameters and properly incorporate this design into the overall building design. Bracing indicated is to prevent buckling of individual truss web and/or chord members only. Additional temporary and permanent bracing is always required for stability and to prevent collapse with possible personal injury and property damage. For general guidance regarding the fabrication, storage, delivery, erection and bracing of trusses and truss systems, see **ANSI/TPI1 Quality Criteria, DSB-89 and BCSI Building Component Safety Information** available from Truss Plate Institute, 218 N. Lee Street, Suite 312, Alexandria, VA 22314.



818 Soundside Road
 Edenton, NC 27932

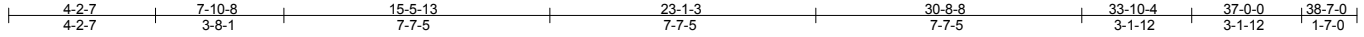
Job J0918-4435	Truss A18	Truss Type HIP GIRDER	Qty 1	Ply 2	Jason Price / Campbell Pointe Bldg. 26	E12370838
-------------------	--------------	--------------------------	----------	----------	--	-----------

Comtech, Inc., Fayetteville, NC 28309

8.130 s Mar 11 2018 MiTek Industries, Inc. Wed Oct 31 12:57:53 2018 Page 1

ID:ZzXTyMvxB55ZLn?FA7qN0rzLZck-S5VauRoje3pmu9YTZYHtMT9E8X143HP1wJPY4?yNuDS

Job Reference (optional)



Scale = 1:65.9

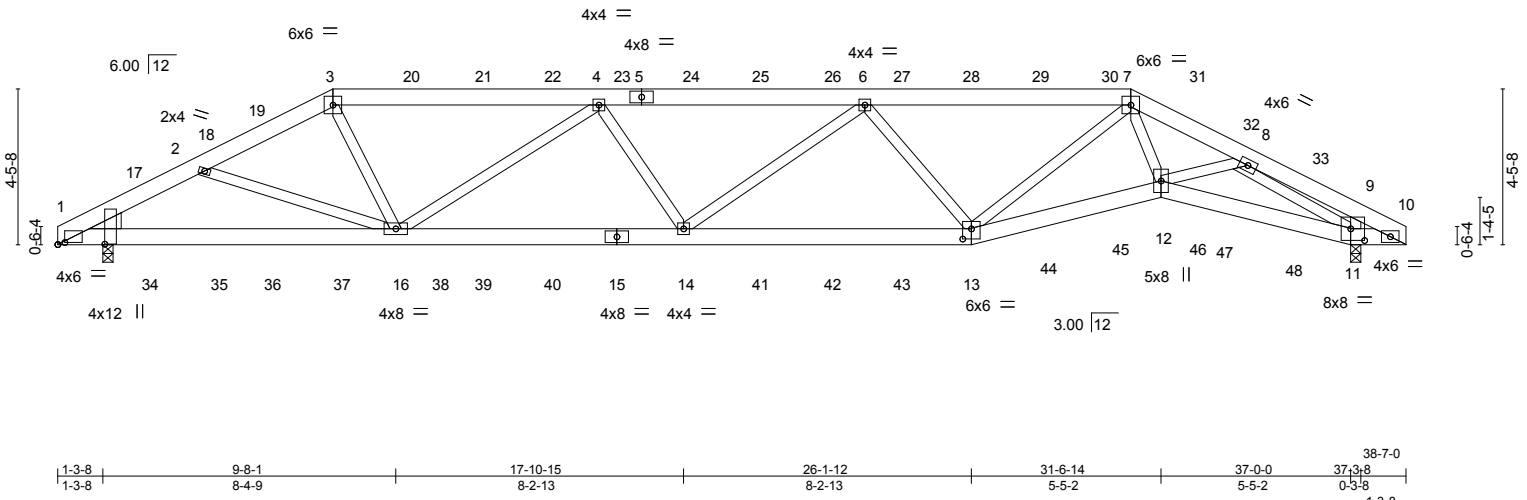


Plate Offsets (X,Y)-- [1:0-0-2,1-4-2], [1:0-2-6,0-0-11], [9:0-1-12,0-0-14], [11:0-4-12,0-4-0], [13:0-3-0,0-3-8]

LOADING (psf) TCLL 20.0 TCDL 10.0 BCLL 0.0 * BCDL 10.0	SPACING- Plate Grip DOL 1.15 Lumber DOL 1.15 Rep Stress Incr NO Code IRC2009/TP12007	CSI. TC 0.76 BC 0.43 WB 0.41 Matrix-S	DEFL. in (loc) l/defl L/d Vert(LL) -0.12 13-14 >999 360 Vert(TL) -0.32 13-14 >999 240 Horz(TL) 0.12 11 n/a n/a Wind(LL) 0.13 13-14 >999 240	PLATES MT20 Weight: 516 lb	GRIP 244/190 FT = 20%
---	---	--	--	---	--

LUMBER-

TOP CHORD 2x6 SP No.1
BOT CHORD 2x6 SP No.1
WEBS 2x4 SP No.3
WEDGE
Left: 2x6 SP No.1

BRACING-

TOP CHORD Structural wood sheathing directly applied or 6-0-0 oc purlins.
BOT CHORD Rigid ceiling directly applied or 10-0-0 oc bracing.

REACTIONS.

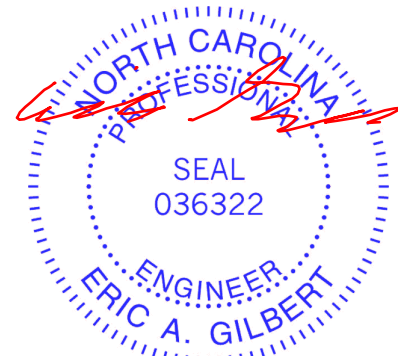
(lb/size) 11=2289/0-3-8, 1=2169/0-3-8
Max Horz 1=-51(LC 3)
Max Uplift 11=-576(LC 6), 1=-496(LC 4)

FORCES. (lb) - Max. Comp./Max. Ten. - All forces 250 (lb) or less except when shown.

TOP CHORD 1-2=-4056/1042, 2-3=-3798/999, 3-4=-3945/1018, 4-6=-5007/1340, 6-7=-4130/1142,
7-8=-5095/1381, 8-9=-839/253, 9-10=-680/191
BOT CHORD 1-16=-935/3545, 14-16=-1363/4975, 13-14=-1344/4785, 12-13=-1100/4151,
11-12=-923/3529, 10-11=-200/735
WEBS 3-16=-228/1317, 4-16=-1293/498, 4-14=0/264, 6-14=0/385, 6-13=-1097/436,
7-12=-413/1729, 8-12=-338/1240, 8-11=-3563/933, 9-11=-716/233

NOTES-

- 2-ply truss to be connected together with 10d (0.131"x3") nails as follows:
Top chords connected as follows: 2x6 - 2 rows staggered at 0-9-0 oc.
Bottom chords connected as follows: 2x6 - 2 rows staggered at 0-9-0 oc.
Webs connected as follows: 2x4 - 1 row at 0-9-0 oc.
- All loads are considered equally applied to all plies, except if noted as front (F) or back (B) face in the LOAD CASE(S) section. Ply to ply connections have been provided to distribute only loads noted as (F) or (B), unless otherwise indicated.
- Unbalanced roof live loads have been considered for this design.
- Wind: ASCE 7-05; 100mph; TCDL=6.0psf; BCDL=5.0psf; h=15ft; Cat. II; Exp C; enclosed; MWFRS (low-rise); cantilever left and right exposed ; Lumber DOL=1.60 plate grip DOL=1.60
- Provide adequate drainage to prevent water ponding.
- This truss has been designed for a 10.0 psf bottom chord live load nonconcurrent with any other live loads.
- * This truss has been designed for a live load of 20.0psf on the bottom chord in all areas with a clearance greater than 6-0-0 between the bottom chord and any other members.
- Provide mechanical connection (by others) of truss to bearing plate capable of withstanding 100 lb uplift at joint(s) except (jt=lb) 11=576, 1=496.



October 31, 2018

Continued on page 2

WARNING - Verify design parameters and READ NOTES ON THIS AND INCLUDED MITEK REFERENCE PAGE MII-7473 rev. 10/03/2015 BEFORE USE.

Design valid for use only with MiTek® connectors. This design is based only upon parameters shown, and is for an individual building component, not a truss system. Before use, the building designer must verify the applicability of design parameters and properly incorporate this design into the overall building design. Bracing indicated is to prevent buckling of individual truss web and/or chord members only. Additional temporary and permanent bracing is always required for stability and to prevent collapse with possible personal injury and property damage. For general guidance regarding the fabrication, storage, delivery, erection and bracing of trusses and truss systems, see **ANSI/TP1 Quality Criteria, DSB-89 and BCSI Building Component Safety Information** available from Truss Plate Institute, 218 N. Lee Street, Suite 312, Alexandria, VA 22314.



818 Soundside Road
Edenton, NC 27932

Job J0918-4435	Truss A18	Truss Type HIP GIRDER	Qty 1	Ply 2	Jason Price / Campbell Pointe Bldg. 26 Job Reference (optional)	E12370838
-------------------	--------------	--------------------------	----------	-----------------	--	-----------

Comtech, Inc., Fayetteville, NC 28309

8.130 s Mar 11 2018 MiTek Industries, Inc. Wed Oct 31 12:57:53 2018 Page 2
ID:ZzXTyMvxB55ZLn?FA7qN0rzLZck-S5VauRoje3pmu9TYZyHtMT9E8X143HP1wJPY4?yNuDS

NOTES-

9) Hanger(s) or other connection device(s) shall be provided sufficient to support concentrated load(s) 100 lb down and 54 lb up at 2-7-7, 53 lb down and 33 lb up at 4-7-7, 26 lb down and 16 lb up at 6-1-7, 68 lb down and 67 lb up at 7-10-8, 53 lb down and 67 lb up at 10-1-7, 53 lb down and 67 lb up at 12-1-7, 53 lb down and 67 lb up at 14-1-7, 53 lb down and 67 lb up at 16-1-7, 53 lb down and 67 lb up at 18-1-7, 53 lb down and 67 lb up at 20-1-7, 53 lb down and 67 lb up at 22-1-7, 53 lb down and 67 lb up at 24-1-7, 53 lb down and 67 lb up at 26-1-0, 50 lb down and 61 lb up at 28-1-0, 58 lb down and 55 lb up at 30-1-0, 20 lb down and 12 lb up at 32-1-0, and 61 lb down and 31 lb up at 33-7-0, and 75 lb down and 58 lb up at 35-7-0 on top chord, and 48 lb down at 2-7-7, 63 lb down and 18 lb up at 4-7-7, 97 lb down and 40 lb up at 6-1-7, 37 lb down at 8-1-7, 37 lb down at 10-1-7, 37 lb down at 12-1-7, 37 lb down at 14-1-7, 37 lb down at 16-1-7, 37 lb down at 18-1-7, 37 lb down at 20-1-7, 37 lb down at 22-1-7, 37 lb down at 24-1-7, 37 lb down at 26-1-12, 33 lb down and 14 lb up at 28-1-0, 44 lb down and 16 lb up at 30-1-0, 95 lb down and 48 lb up at 32-1-0, and 45 lb down and 16 lb up at 33-7-0, and 33 lb down at 35-7-0 on bottom chord. The design/selection of such connection device(s) is the responsibility of others.

LOAD CASE(S) Standard

1) Dead + Roof Live (balanced): Lumber Increase=1.15, Plate Increase=1.15

Uniform Loads (plf)

Vert: 1-3=-60, 3-7=-60, 7-10=-60, 1-13=-20, 12-13=-20, 11-12=-20, 10-11=-20

Concentrated Loads (lb)

Vert: 3=-53(B) 15=-23(B) 13=-23(B) 14=-23(B) 17=-60(B) 18=-13(B) 20=-53(B) 21=-53(B) 22=-53(B) 23=-53(B) 24=-53(B) 25=-53(B) 26=-53(B) 27=-53(B) 28=-53(B) 29=-50(B) 30=-51(B) 32=-21(B) 33=-35(B) 34=-34(B) 35=-63(B) 36=-97(B) 37=-23(B) 38=-23(B) 39=-23(B) 40=-23(B) 41=-23(B) 42=-23(B) 43=-23(B) 44=-18(B) 45=-24(B) 46=-95(B) 47=-45(B) 48=-18(B)

WARNING - Verify design parameters and READ NOTES ON THIS AND INCLUDED MITEK REFERENCE PAGE MII-7473 rev. 10/03/2015 BEFORE USE.

Design valid for use only with MiTek® connectors. This design is based only upon parameters shown, and is for an individual building component, not a truss system. Before use, the building designer must verify the applicability of design parameters and properly incorporate this design into the overall building design. Bracing indicated is to prevent buckling of individual truss web and/or chord members only. Additional temporary and permanent bracing is always required for stability and to prevent collapse with possible personal injury and property damage. For general guidance regarding the fabrication, storage, delivery, erection and bracing of trusses and truss systems, see **ANSI/TPI1 Quality Criteria, DSB-89 and BCSI Building Component Safety Information** available from Truss Plate Institute, 218 N. Lee Street, Suite 312, Alexandria, VA 22314.



818 Soundside Road
Edenton, NC 27932

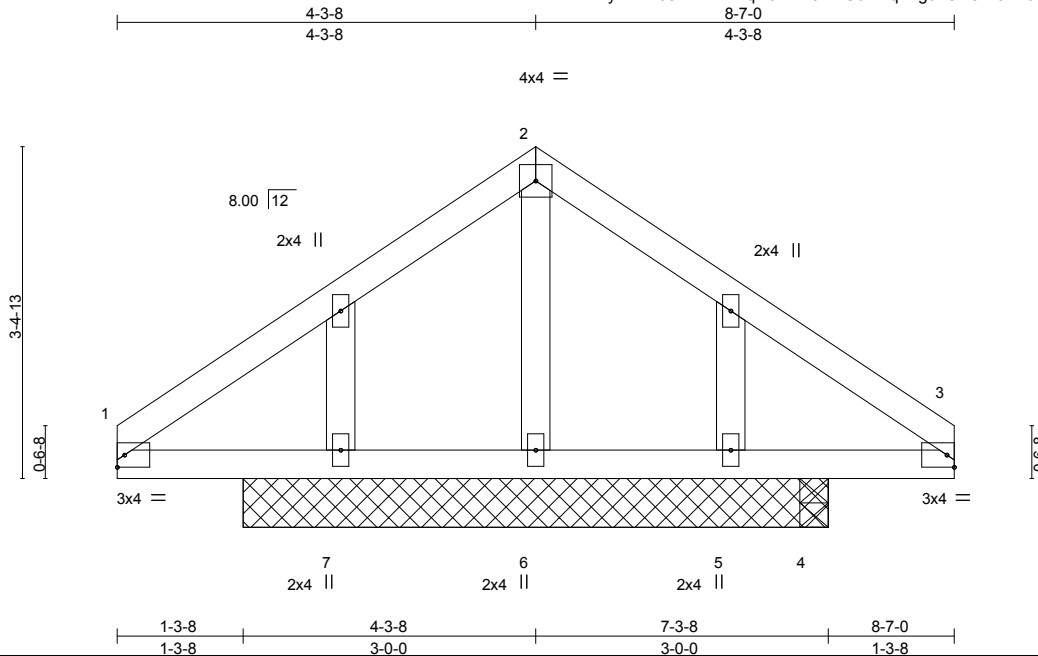
Job J0918-4435	Truss B01	Truss Type GABLE	Qty 6	Ply 1	Jason Price / Campbell Pointe Bldg. 26	E12370839
-------------------	--------------	---------------------	----------	----------	--	-----------

Comtech, Inc., Fayetteville, NC 28309

8.130 s Mar 11 2018 MiTek Industries, Inc. Wed Oct 31 12:57:55 2018 Page 1

ID:ZzXTyMvxB55ZLn?FA7qN0rzLZck-PUdLI7qzAg3T8TishzJLRuFhqlmFxBK0due9tyNuDQ

Job Reference (optional)



Scale = 1:23.6

LOADING (psf)	SPACING-	CSI.	DEFL.	in (loc)	l/defl	L/d	PLATES	GRIP
TCLL 20.0	2-0-0	TC 0.30	Vert(LL) 0.00	6-7	>999	360	MT20	244/190
TCDL 10.0	Plate Grip DOL 1.15	BC 0.17	Vert(TL) 0.00	6-7	>999	240		
BCLL 0.0 *	Lumber DOL 1.15	WB 0.14	Horz(TL) -0.00	4	n/a	n/a		
BCDL 10.0	Rep Stress Incr YES	Matrix-P	Wind(LL) -0.00	6-7	>999	240	Weight: 37 lb	FT = 20%
	Code IRC2009/TPI2007							

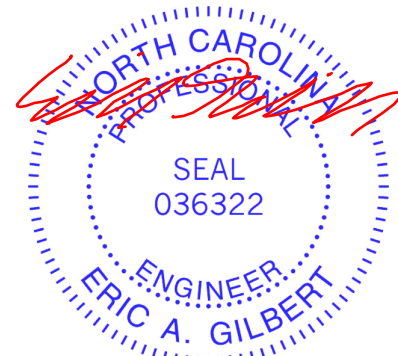
LUMBER-
TOP CHORD 2x4 SP No.1
BOT CHORD 2x4 SP No.1
OTHERS 2x4 SP No.3

BRACING-
TOP CHORD Structural wood sheathing directly applied or 8-7-0 oc purlins.
BOT CHORD Rigid ceiling directly applied or 6-0-0 oc bracing.

REACTIONS. All bearings 6-0-0 except (jt=length) 4=0-3-8.
(lb) - Max Horz 7=-107(LC 4)
Max Uplift All uplift 100 lb or less at joint(s) 7 except 6=-203(LC 6), 5=-124(LC 11), 4=-184(LC 10)
Max Grav All reactions 250 lb or less at joint(s) 7, 5, 4 except 6=553(LC 1)

FORCES. (lb) - Max. Comp./Max. Ten. - All forces 250 (lb) or less except when shown.
TOP CHORD 1-2=-213/296, 2-3=-213/296
WEBS 2-6=-532/389

- NOTES-**
- 1) Unbalanced roof live loads have been considered for this design.
 - 2) Wind: ASCE 7-05; 100mph; TCDL=6.0psf; BCDL=5.0psf; h=15ft; Cat. II; Exp C; enclosed; MWFRS (low-rise) gable end zone and C-C Exterior(2) zone; cantilever left and right exposed ;C-C for members and forces & MWFRS for reactions shown; Lumber DOL=1.60 plate grip DOL=1.60
 - 3) Truss designed for wind loads in the plane of the truss only. For studs exposed to wind (normal to the face), see Standard Industry Gable End Details as applicable, or consult qualified building designer as per ANSI/TPI 1.
 - 4) Gable studs spaced at 2-0-0 oc.
 - 5) This truss has been designed for a 10.0 psf bottom chord live load nonconcurrent with any other live loads.
 - 6) * This truss has been designed for a live load of 20.0psf on the bottom chord in all areas with a clearance greater than 6-0-0 between the bottom chord and any other members.
 - 7) Provide mechanical connection (by others) of truss to bearing plate capable of withstanding 100 lb uplift at joint(s) 7 except (jt=lb) 6=203, 5=124, 4=184.



October 31, 2018

WARNING - Verify design parameters and READ NOTES ON THIS AND INCLUDED MITEK REFERENCE PAGE MII-7473 rev. 10/03/2015 BEFORE USE.

Design valid for use only with MiTek® connectors. This design is based only upon parameters shown, and is for an individual building component, not a truss system. Before use, the building designer must verify the applicability of design parameters and properly incorporate this design into the overall building design. Bracing indicated is to prevent buckling of individual truss web and/or chord members only. Additional temporary and permanent bracing is always required for stability and to prevent collapse with possible personal injury and property damage. For general guidance regarding the fabrication, storage, delivery, erection and bracing of trusses and truss systems, see

ANSI/TPI1 Quality Criteria, DSB-89 and BCSI Building Component

Safety Information available from Truss Plate Institute, 218 N. Lee Street, Suite 312, Alexandria, VA 22314.

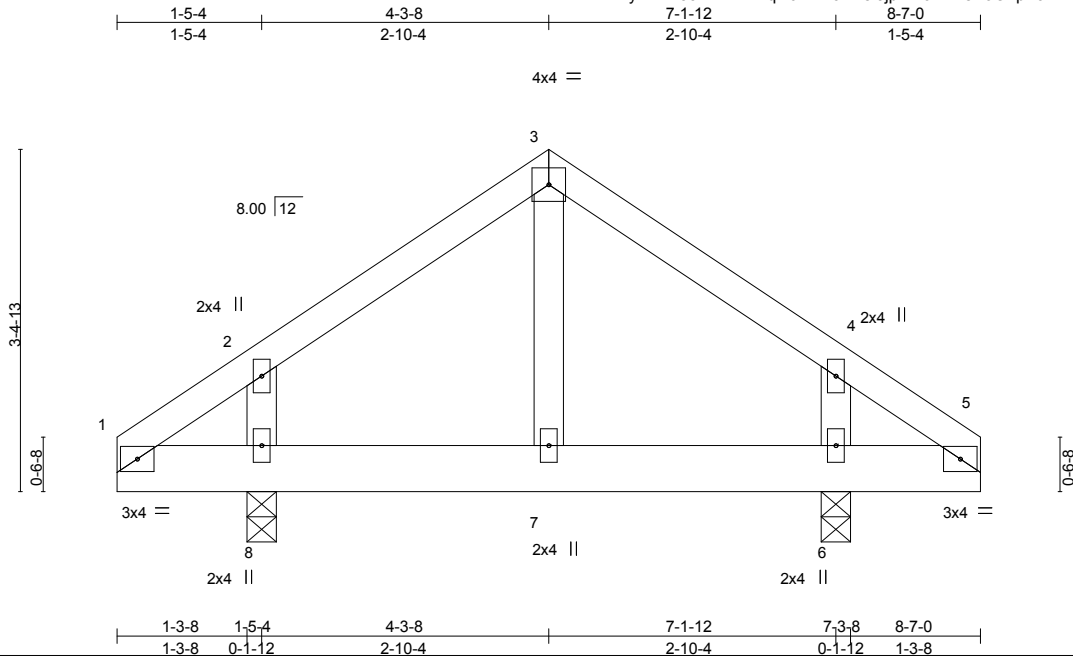
ENGINEERING BY
TRENCO
A MiTek Affiliate

818 Soundside Road
Edenton, NC 27932

Job J0918-4435	Truss B02	Truss Type COMMON	Qty 12	Ply 1	Jason Price / Campbell Pointe Bldg. 26	E12370840
-------------------	--------------	----------------------	-----------	----------	--	-----------

Comtech, Inc., Fayetteville, NC 28309

8.130 s Mar 11 2018 MiTek Industries, Inc. Wed Oct 31 12:57:57 2018 Page 1
ID:ZzXTyMvxB55ZLn?FA7qN0rzLZck-Lsl5jprEilJBNnsEoOLpXJK4m8TR_B2drxNIDmyNuDO



LOADING (psf)	SPACING-	CSI.	DEFL.	in (loc)	l/defl	L/d	PLATES	GRIP
TCLL 20.0	Plate Grip DOL 1.15	TC 0.08	Vert(LL) -0.00	7	>999	360	MT20	244/190
TCDL 10.0	Lumber DOL 1.15	BC 0.08	Vert(TL) -0.01	7	>999	240		
BCLL 0.0 *	Rep Stress Incr YES	WB 0.05	Horz(TL) 0.00	6	n/a	n/a		
BCDL 10.0	Code IRC2009/TPI2007	Matrix-S	Wind(LL) 0.00	7	>999	240	Weight: 42 lb	FT = 20%

LUMBER-
 TOP CHORD 2x4 SP No.1
 BOT CHORD 2x6 SP No.1
 WEBS 2x4 SP No.3

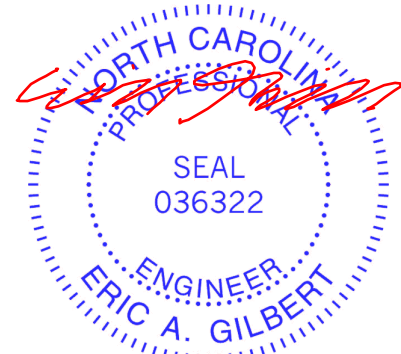
BRACING-
 TOP CHORD Structural wood sheathing directly applied or 6-0-0 oc purlins.
 BOT CHORD Rigid ceiling directly applied or 10-0-0 oc bracing.

REACTIONS. (lb/size) 8=343/0-3-8, 6=343/0-3-8
 Max Horz 8=-83(LC 4)
 Max Uplift 8=-69(LC 6), 6=-69(LC 7)

FORCES. (lb) - Max. Comp./Max. Ten. - All forces 250 (lb) or less except when shown.

NOTES-

- Unbalanced roof live loads have been considered for this design.
- Wind: ASCE 7-05; 100mph; TCDL=6.0psf; BCDL=5.0psf; h=15ft; Cat. II; Exp C; enclosed; MWFRS (low-rise) and C-C Exterior(2) zone; cantilever left and right exposed ;C-C for members and forces & MWFRS for reactions shown; Lumber DOL=1.60 plate grip DOL=1.60
- This truss has been designed for a 10.0 psf bottom chord live load nonconcurrent with any other live loads.
- * This truss has been designed for a live load of 20.0psf on the bottom chord in all areas with a clearance greater than 6-0-0 between the bottom chord and any other members.
- Provide mechanical connection (by others) of truss to bearing plate capable of withstanding 100 lb uplift at joint(s) 8, 6.



October 31, 2018

WARNING - Verify design parameters and READ NOTES ON THIS AND INCLUDED MITEK REFERENCE PAGE MII-7473 rev. 10/03/2015 BEFORE USE.

Design valid for use only with MiTek® connectors. This design is based only upon parameters shown, and is for an individual building component, not a truss system. Before use, the building designer must verify the applicability of design parameters and properly incorporate this design into the overall building design. Bracing indicated is to prevent buckling of individual truss web and/or chord members only. Additional temporary and permanent bracing is always required for stability and to prevent collapse with possible personal injury and property damage. For general guidance regarding the fabrication, storage, delivery, erection and bracing of trusses and truss systems, see **ANSI/TPI1 Quality Criteria, DSB-89 and BCSI Building Component Safety Information** available from Truss Plate Institute, 218 N. Lee Street, Suite 312, Alexandria, VA 22314.



818 Soundside Road
 Edenton, NC 27932

Job J0918-4435	Truss J03	Truss Type JACK-OPEN	Qty 2	Ply 1	Jason Price / Campbell Pointe Bldg. 26	E12370841
-------------------	--------------	-------------------------	----------	----------	--	-----------

Comtech, Inc., Fayetteville, NC 28309

8.130 s Mar 11 2018 MiTek Industries, Inc. Wed Oct 31 12:57:59 2018 Page 1
ID:ZzXTyMvxB55ZLn?FA7qN0rzLZck-HFsr8UtUEvavc4?dwpOHckPRxyAvS5HwIFssleyNuDM

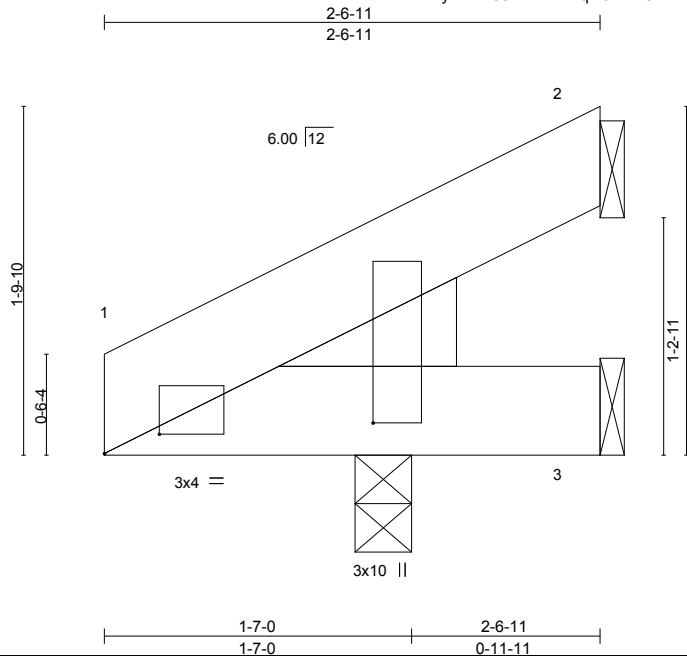


Plate Offsets (X,Y)--		[1:0-3-6.0-1-3], [1:0-1-14,1-4-10]							
LOADING (psf)	SPACING-	2-0-0	CSI.	DEFL.	in (loc)	l/defl	L/d	PLATES	GRIP
TCLL 20.0	Plate Grip DOL 1.15		TC 0.04	Vert(LL) -0.00	1	>999	360	MT20	244/190
TCDL 10.0	Lumber DOL 1.15		BC 0.02	Vert(TL) -0.00	1-3	>999	240		
BCLL 0.0 *	Rep Stress Incr YES		WB 0.00	Horz(TL) -0.00	2	n/a	n/a		
BCDL 10.0	Code IRC2009/TP12007		Matrix-P	Wind(LL) 0.00	1	****	240	Weight: 15 lb	FT = 20%

LUMBER-
TOP CHORD 2x6 SP No.1
BOT CHORD 2x6 SP No.1
WEDGE
Left: 2x6 SP No.1

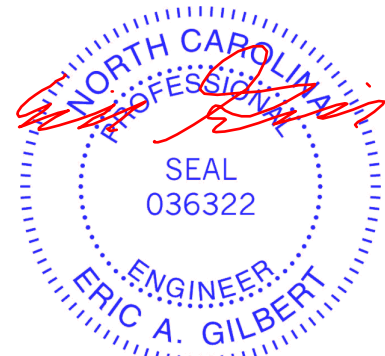
BRACING-
TOP CHORD Structural wood sheathing directly applied or 2-6-11 oc purlins.
BOT CHORD Rigid ceiling directly applied or 10-0-0 oc bracing.

REACTIONS. (lb/size) 2=70/Mechanical, 3=23/Mechanical, 1=94/0-3-8
Max Horz 1=41(LC 6)
Max Uplift 2=-35(LC 6), 1=-1(LC 6)
Max Grav 2=70(LC 1), 3=47(LC 2), 1=94(LC 1)

FORCES. (lb) - Max. Comp./Max. Ten. - All forces 250 (lb) or less except when shown.

NOTES-

- 1) Wind: ASCE 7-05; 100mph; TCDL=6.0psf; BCDL=5.0psf; h=15ft; Cat. II; Exp C; enclosed; MWFRS (low-rise) and C-C Exterior(2) zone; cantilever left exposed ;C-C for members and forces & MWFRS for reactions shown; Lumber DOL=1.60 plate grip DOL=1.60
- 2) This truss has been designed for a 10.0 psf bottom chord live load nonconcurrent with any other live loads.
- 3) * This truss has been designed for a live load of 20.0psf on the bottom chord in all areas with a clearance greater than 6-0-0 between the bottom chord and any other members.
- 4) Refer to girder(s) for truss to truss connections.
- 5) Provide mechanical connection (by others) of truss to bearing plate capable of withstanding 100 lb uplift at joint(s) 2, 1.



October 31, 2018

WARNING - Verify design parameters and READ NOTES ON THIS AND INCLUDED MITEK REFERENCE PAGE MII-7473 rev. 10/03/2015 BEFORE USE.

Design valid for use only with MiTek® connectors. This design is based only upon parameters shown, and is for an individual building component, not a truss system. Before use, the building designer must verify the applicability of design parameters and properly incorporate this design into the overall building design. Bracing indicated is to prevent buckling of individual truss web and/or chord members only. Additional temporary and permanent bracing is always required for stability and to prevent collapse with possible personal injury and property damage. For general guidance regarding the fabrication, storage, delivery, erection and bracing of trusses and truss systems, see **ANSI/TP1 Quality Criteria, DSB-89 and BCSI Building Component Safety Information** available from Truss Plate Institute, 218 N. Lee Street, Suite 312, Alexandria, VA 22314.



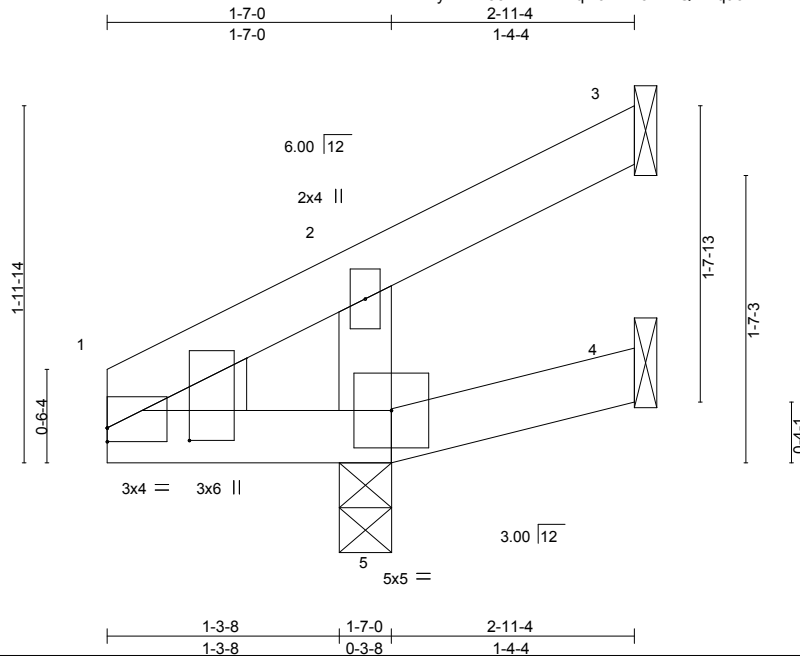
818 Soundside Road
Edenton, NC 27932

Job J0918-4435	Truss J03A	Truss Type JACK-OPEN	Qty 2	Ply 1	Jason Price / Campbell Pointe Bldg. 26	E12370842
-------------------	---------------	-------------------------	----------	----------	--	-----------

Comtech, Inc., Fayetteville, NC 28309

8.130 s Mar 11 2018 MiTek Industries, Inc. Wed Oct 31 12:58:00 2018 Page 1

ID:ZzXTyMvx855ZLn?FA7qN0rzLZck-IRQEMqu6?DimEEapUWw8yyZGMV_BYa3XubPq5yNuDL



Scale = 1:12.8

Plate Offsets (X,Y)-- [1:0-0-0,0-0-15], [1:0-0-13,0-5-8]

LOADING (psf)	SPACING-	CSL	DEFL.	in (loc)	l/defl	L/d	PLATES	GRIP
TCLL 20.0	2-0-0	TC 0.19	Vert(LL) -0.00	5	>999	360	MT20	244/190
TCDL 10.0	Plate Grip DOL 1.15	BC 0.03	Vert(TL) -0.00	5	>999	240		
BCLL 0.0 *	Lumber DOL 1.15	WB 0.06	Horz(TL) -0.03	3	n/a	n/a		
BCDL 10.0	Rep Stress Incr YES	Matrix-P	Wind(LL) 0.00	5	****	240		
	Code IRC2009/TP12007						Weight: 12 lb	FT = 20%

LUMBER-

TOP CHORD 2x4 SP No.1
 BOT CHORD 2x4 SP No.1
 WEBS 2x4 SP No.3
 WEDGE
 Left: 2x4 SP No.3

BRACING-

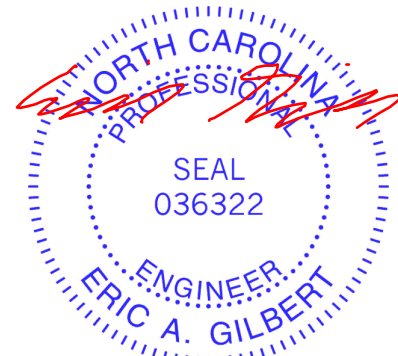
TOP CHORD Structural wood sheathing directly applied or 2-11-4 oc purlins.
 BOT CHORD Rigid ceiling directly applied or 10-0-0 oc bracing.

REACTIONS. (lb/size) 3=-39/Mechanical, 5=256/0-3-8, 4=13/Mechanical
 Max Horz 5=53(LC 6)
 Max Uplift 3=-45(LC 2), 5=-63(LC 6)
 Max Grav 3=3(LC 4), 5=256(LC 1), 4=26(LC 2)

FORCES. (lb) - Max. Comp./Max. Ten. - All forces 250 (lb) or less except when shown.

NOTES-

- 1) Wind: ASCE 7-05; 100mph; TCDL=6.0psf; BCDL=5.0psf; h=15ft; Cat. II; Exp C; enclosed; MWFRS (low-rise) and C-C Exterior(2) zone; cantilever left exposed ;C-C for members and forces & MWFRS for reactions shown; Lumber DOL=1.60 plate grip DOL=1.60
- 2) This truss has been designed for a 10.0 psf bottom chord live load nonconcurrent with any other live loads.
- 3) * This truss has been designed for a live load of 20.0psf on the bottom chord in all areas with a clearance greater than 6-0-0 between the bottom chord and any other members.
- 4) Refer to girder(s) for truss to truss connections.
- 5) Provide mechanical connection (by others) of truss to bearing plate capable of withstanding 100 lb uplift at joint(s) 3, 5.



October 31, 2018

WARNING - Verify design parameters and READ NOTES ON THIS AND INCLUDED MITEK REFERENCE PAGE MII-7473 rev. 10/03/2015 BEFORE USE.

Design valid for use only with MiTek® connectors. This design is based only upon parameters shown, and is for an individual building component, not a truss system. Before use, the building designer must verify the applicability of design parameters and properly incorporate this design into the overall building design. Bracing indicated is to prevent buckling of individual truss web and/or chord members only. Additional temporary and permanent bracing is always required for stability and to prevent collapse with possible personal injury and property damage. For general guidance regarding the fabrication, storage, delivery, erection and bracing of trusses and truss systems, see **ANSI/TP1 Quality Criteria, DSB-89 and BCSI Building Component Safety Information** available from Truss Plate Institute, 218 N. Lee Street, Suite 312, Alexandria, VA 22314.



818 Soundside Road
 Edenton, NC 27932

Job J0918-4435	Truss J06	Truss Type JACK-OPEN	Qty 20	Ply 1	Jason Price / Campbell Pointe Bldg. 26	E12370843
-------------------	--------------	-------------------------	-----------	----------	--	-----------

Comtech, Inc., Fayetteville, NC 28309

8.130 s Mar 11 2018 MiTek Industries, Inc. Wed Oct 31 12:58:02 2018 Page 1

ID:ZzXTyMvxB55ZLn?FA7qN0rzLZck-hqY_mWvMXqyUTYkCbxx_EN1ua992fR?M?C4WuzyNuDJ

Job Reference (optional)

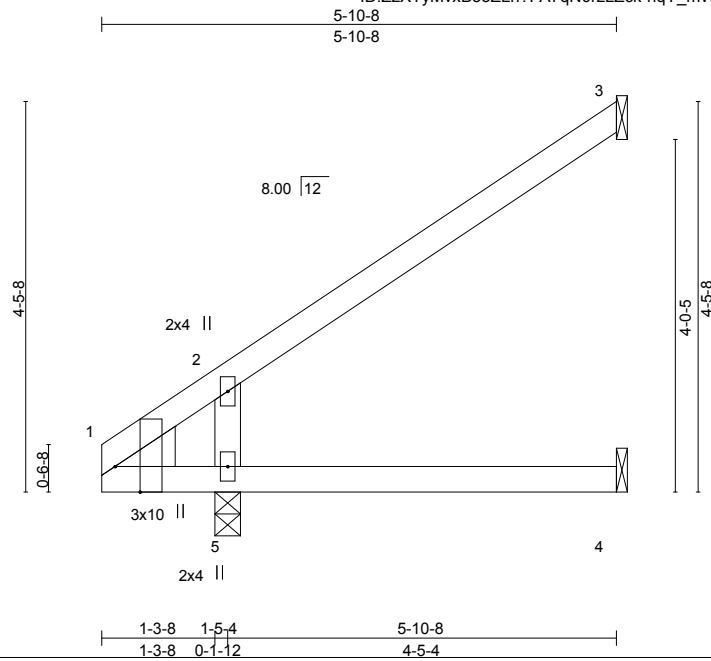


Plate Offsets (X,Y)-- [1:0-0-10,0-0-14], [1:0-1-3,0-5-5], [1:0-3-8,Edge]

LOADING (psf)	SPACING-	CSI.	DEFL.	in (loc)	l/defl	L/d	PLATES	GRIP
TCLL 20.0	Plate Grip DOL 1.15	TC 0.20	Vert(LL) -0.01	4-5	>999	360	MT20	244/190
TCDL 10.0	Lumber DOL 1.15	BC 0.18	Vert(TL) -0.03	4-5	>999	240		
BCLL 0.0 *	Rep Stress Incr YES	WB 0.07	Horz(TL) -0.04	3	n/a	n/a		
BCDL 10.0	Code IRC2009/TPI2007	Matrix-P	Wind(LL) 0.02	4-5	>999	240	Weight: 23 lb	FT = 20%

LUMBER-
 TOP CHORD 2x4 SP No.1
 BOT CHORD 2x4 SP No.1
 WEBS 2x4 SP No.3
 WEDGE
 Left: 2x6 SP No.1

BRACING-
 TOP CHORD Structural wood sheathing directly applied or 5-10-8 oc purlins.
 BOT CHORD Rigid ceiling directly applied or 10-0-0 oc bracing.

REACTIONS. (lb/size) 3=113/Mechanical, 4=43/Mechanical, 5=309/0-3-8
 Max Horz 5=132(LC 6)
 Max Uplift 3=-76(LC 6), 5=-20(LC 6)
 Max Grav 3=113(LC 1), 4=77(LC 2), 5=309(LC 1)

FORCES. (lb) - Max. Comp./Max. Ten. - All forces 250 (lb) or less except when shown.

- NOTES-**
- 1) Wind: ASCE 7-05; 100mph; TCDL=6.0psf; BCDL=5.0psf; h=15ft; Cat. II; Exp C; enclosed; MWFRS (low-rise) and C-C Exterior(2) zone; cantilever left exposed ;C-C for members and forces & MWFRS for reactions shown; Lumber DOL=1.60 plate grip DOL=1.60
 - 2) This truss has been designed for a 10.0 psf bottom chord live load nonconcurrent with any other live loads.
 - 3) * This truss has been designed for a live load of 20.0psf on the bottom chord in all areas with a clearance greater than 6-0-0 between the bottom chord and any other members.
 - 4) Refer to girder(s) for truss to truss connections.
 - 5) Provide mechanical connection (by others) of truss to bearing plate capable of withstanding 100 lb uplift at joint(s) 3, 5.

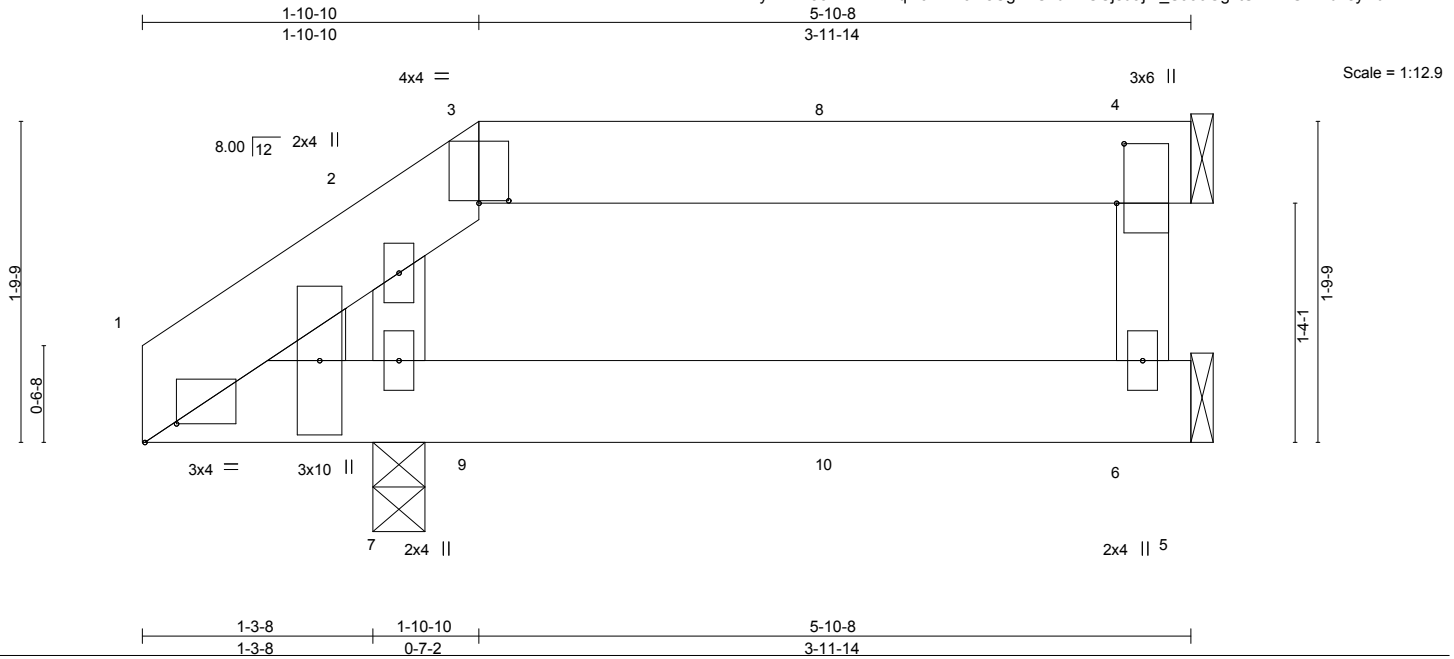


October 31,2018

Job J0918-4435	Truss J06D	Truss Type JACK-OPEN GIRDER	Qty 1	Ply 1	Jason Price / Campbell Pointe Bldg. 26	E12370844
-------------------	---------------	--------------------------------	----------	----------	--	-----------

Comtech, Inc., Fayetteville, NC 28309

8.130 s Mar 11 2018 MiTek Industries, Inc. Wed Oct 31 12:58:04 2018 Page 1
ID:ZzXTyMvxB55ZLn?FA7qN0rzLZck-eCgkBCxd2RCCjsuajM_SJo6GgztS7LmfSWZdzsyNuDH



LOADING (psf)	SPACING-	CSL	DEFL.	in (loc)	l/defl	L/d	PLATES	GRIP
TCLL 20.0	Plate Grip DOL 1.15	TC 0.10	Vert(LL) -0.00	6-7	>999	360	MT20	244/190
TCDL 10.0	Lumber DOL 1.15	BC 0.06	Vert(TL) -0.01	6-7	>999	240		
BCLL 0.0 *	Rep Stress Incr NO	WB 0.05	Horz(TL) 0.01	4	n/a	n/a		
BCDL 10.0	Code IRC2009/TP12007	Matrix-S	Wind(LL) 0.00	6-7	>999	240	Weight: 32 lb	FT = 20%

LUMBER-
TOP CHORD 2x6 SP No.1
BOT CHORD 2x6 SP No.1
WEBS 2x4 SP No.3
WEDGE
Left: 2x4 SP No.3

BRACING-
TOP CHORD Structural wood sheathing directly applied or 5-10-8 oc purlins.
BOT CHORD Rigid ceiling directly applied or 10-0-0 oc bracing.

REACTIONS. (lb/size) 7=318/0-3-8, 4=115/Mechanical, 6=47/Mechanical
Max Horz 7=43(LC 5)
Max Uplift 7=-81(LC 5), 4=-53(LC 3)
Max Grav 7=318(LC 1), 4=120(LC 10), 6=88(LC 2)

FORCES. (lb) - Max. Comp./Max. Ten. - All forces 250 (lb) or less except when shown.

- NOTES-**
- Unbalanced roof live loads have been considered for this design.
 - Wind: ASCE 7-05; 100mph; TCDL=6.0psf; BCDL=5.0psf; h=15ft; Cat. II; Exp C; enclosed; MWFRS (low-rise); cantilever left exposed; Lumber DOL=1.60 plate grip DOL=1.60
 - Provide adequate drainage to prevent water ponding.
 - This truss has been designed for a 10.0 psf bottom chord live load nonconcurrent with any other live loads.
 - * This truss has been designed for a live load of 20.0psf on the bottom chord in all areas with a clearance greater than 6-0-0 between the bottom chord and any other members.
 - Refer to girder(s) for truss to truss connections.
 - Provide mechanical connection (by others) of truss to bearing plate capable of withstanding 100 lb uplift at joint(s) 7, 4.
 - Gap between inside of top chord bearing and first diagonal or vertical web shall not exceed 0.500in.
 - Hanger(s) or other connection device(s) shall be provided sufficient to support concentrated load(s) 29 lb down and 27 lb up at 1-10-10, and 10 lb down and 27 lb up at 3-11-6 on top chord, and 7 lb down at 1-11-6, and 7 lb down at 3-11-6 on bottom chord. The design/selection of such connection device(s) is the responsibility of others.
 - In the LOAD CASE(S) section, loads applied to the face of the truss are noted as front (F) or back (B).

LOAD CASE(S) Standard
1) Dead + Roof Live (balanced): Lumber Increase=1.15, Plate Increase=1.15
Uniform Loads (plf)
Vert: 1-3=-60, 3-4=-60, 1-5=-20
Concentrated Loads (lb)
Vert: 3=-10(F) 8=-10(F) 9=-3(F) 10=-3(F)



October 31, 2018

WARNING - Verify design parameters and READ NOTES ON THIS AND INCLUDED MITEK REFERENCE PAGE MII-7473 rev. 10/03/2015 BEFORE USE.

Design valid for use only with MiTek® connectors. This design is based only upon parameters shown, and is for an individual building component, not a truss system. Before use, the building designer must verify the applicability of design parameters and properly incorporate this design into the overall building design. Bracing indicated is to prevent buckling of individual truss web and/or chord members only. Additional temporary and permanent bracing is always required for stability and to prevent collapse with possible personal injury and property damage. For general guidance regarding the fabrication, storage, delivery, erection and bracing of trusses and truss systems, see **ANSI/TP1 Quality Criteria, DSB-89 and BCSI Building Component Safety Information** available from Truss Plate Institute, 218 N. Lee Street, Suite 312, Alexandria, VA 22314.

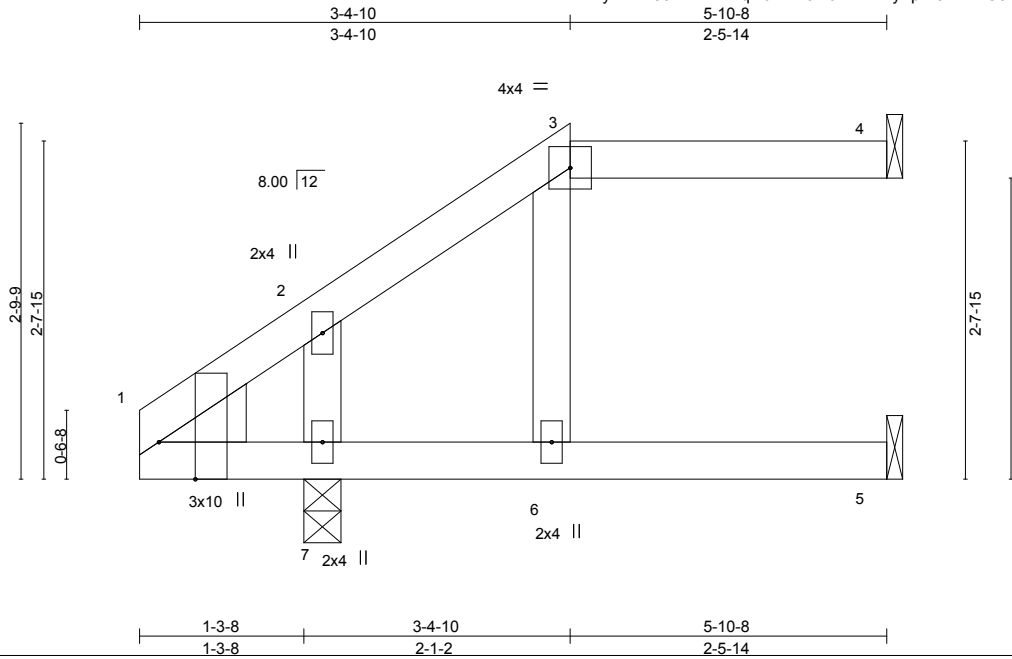


818 Soundside Road
Edenton, NC 27932

Job J0918-4435	Truss J06E	Truss Type JACK-OPEN	Qty 1	Ply 1	Jason Price / Campbell Pointe Bldg. 26	E12370845
-------------------	---------------	-------------------------	----------	----------	--	-----------

Comtech, Inc., Fayetteville, NC 28309

8.130 s Mar 11 2018 MiTek Industries, Inc. Wed Oct 31 12:58:05 2018 Page 1
ID:ZzXTyMvxB55ZLn?FA7qN0rzLZck-6PD7PYyFpIK3K?TnG3Vhr?fRrN9Uso7ohAJAVlyNuDG



Scale = 1:18.1

Plate Offsets (X,Y)--		[1:0-0-10,0-0-14], [1:0-1-3,0-5-5], [1:0-3-8,Edge]							
LOADING (psf)	SPACING-	2-0-0	CSI.	DEFL.	in (loc)	l/defl	L/d	PLATES	GRIP
TCLL 20.0	Plate Grip DOL 1.15		TC 0.07	Vert(LL) -0.02	6	>999	360	MT20	244/190
TCDL 10.0	Lumber DOL 1.15		BC 0.26	Vert(TL) -0.06	5-6	>851	240		
BCLL 0.0 *	Rep Stress Incr YES		WB 0.04	Horz(TL) 0.08	4	n/a	n/a		
BCDL 10.0	Code IRC2009/TP12007		Matrix-P	Wind(LL) 0.04	6	>999	240	Weight: 25 lb	FT = 20%

LUMBER-

TOP CHORD 2x4 SP No.1
 BOT CHORD 2x4 SP No.1
 WEBS 2x4 SP No.3
 WEDGE
 Left: 2x6 SP No.1

BRACING-

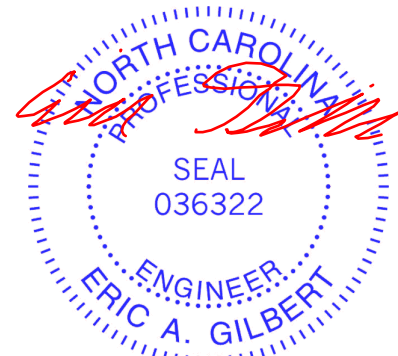
TOP CHORD Structural wood sheathing directly applied or 5-10-8 oc purlins.
 BOT CHORD Rigid ceiling directly applied or 6-0-0 oc bracing.

REACTIONS. (lb/size) 4=73/Mechanical, 5=83/Mechanical, 7=309/0-3-8
 Max Horz 7=77(LC 6)
 Max Uplift 4=-31(LC 4), 5=-8(LC 5), 7=-52(LC 6)
 Max Grav 4=73(LC 1), 5=93(LC 2), 7=309(LC 1)

FORCES. (lb) - Max. Comp./Max. Ten. - All forces 250 (lb) or less except when shown.

NOTES-

- Unbalanced roof live loads have been considered for this design.
- Wind: ASCE 7-05; 100mph; TCDL=6.0psf; BCDL=5.0psf; h=15ft; Cat. II; Exp C; enclosed; MWFRS (low-rise) and C-C Exterior(2) zone; cantilever left exposed ;C-C for members and forces & MWFRS for reactions shown; Lumber DOL=1.60 plate grip DOL=1.60
- Provide adequate drainage to prevent water ponding.
- This truss has been designed for a 10.0 psf bottom chord live load nonconcurrent with any other live loads.
- * This truss has been designed for a live load of 20.0psf on the bottom chord in all areas with a clearance greater than 6-0-0 between the bottom chord and any other members.
- Refer to girder(s) for truss to truss connections.
- Provide mechanical connection (by others) of truss to bearing plate capable of withstanding 100 lb uplift at joint(s) 4, 5, 7.



October 31,2018

WARNING - Verify design parameters and READ NOTES ON THIS AND INCLUDED MITEK REFERENCE PAGE MII-7473 rev. 10/03/2015 BEFORE USE.

Design valid for use only with MiTek® connectors. This design is based only upon parameters shown, and is for an individual building component, not a truss system. Before use, the building designer must verify the applicability of design parameters and properly incorporate this design into the overall building design. Bracing indicated is to prevent buckling of individual truss web and/or chord members only. Additional temporary and permanent bracing is always required for stability and to prevent collapse with possible personal injury and property damage. For general guidance regarding the fabrication, storage, delivery, erection and bracing of trusses and truss systems, see **ANSI/TP1 Quality Criteria, DSB-89 and BCSI Building Component Safety Information** available from Truss Plate Institute, 218 N. Lee Street, Suite 312, Alexandria, VA 22314.



818 Soundside Road
 Edenton, NC 27932

Job J0918-4435	Truss J06F	Truss Type JACK-OPEN	Qty 1	Ply 1	Jason Price / Campbell Pointe Bldg. 26	E12370846
-------------------	---------------	-------------------------	----------	----------	--	-----------

Comtech, Inc., Fayetteville, NC 28309

8.130 s Mar 11 2018 MiTek Industries, Inc. Wed Oct 31 12:58:06 2018 Page 1
ID:ZzXTyMvxB55ZLn?FA7qN0rzLZck-abnVcuyta3Swy92zqn0wODCcKnY4bFAyvyq2k1kyNuDF

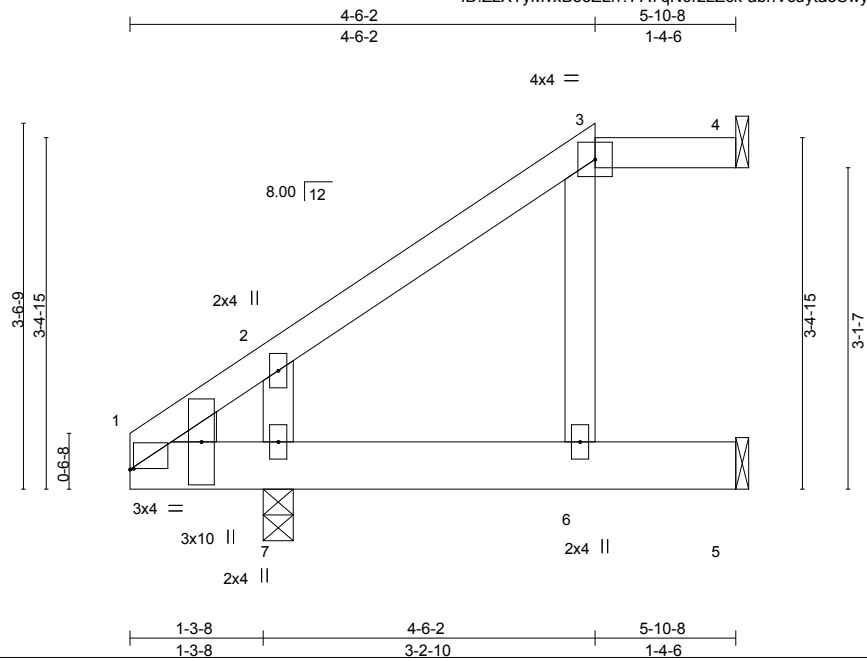


Plate Offsets (X,Y)--	[1:0-0-6,0-0-2]				
LOADING (psf)	SPACING- 2-0-0	CSI.	DEFL. in (loc) l/defl L/d	PLATES	GRIP
TCLL 20.0	Plate Grip DOL 1.15	TC 0.09	Vert(LL) -0.01 6 >999 360	MT20	244/190
TCDL 10.0	Lumber DOL 1.15	BC 0.11	Vert(TL) -0.02 6-7 >999 240		
BCLL 0.0 *	Rep Stress Incr YES	WB 0.05	Horz(TL) 0.02 4 n/a n/a		
BCDL 10.0	Code IRC2009/TP12007	Matrix-P	Wind(LL) 0.01 6-7 >999 240	Weight: 30 lb	FT = 20%

LUMBER-
TOP CHORD 2x4 SP No.1
BOT CHORD 2x6 SP No.1
WEBS 2x4 SP No.3
WEDGE
Left: 2x4 SP No.3

BRACING-
TOP CHORD Structural wood sheathing directly applied or 5-10-8 oc purlins.
BOT CHORD Rigid ceiling directly applied or 6-0-0 oc bracing.

REACTIONS. (lb/size) 4=39/Mechanical, 5=117/Mechanical, 7=309/0-3-8
Max Horz 7=98(LC 6)
Max Uplift 4=-17(LC 4), 5=-30(LC 6), 7=-45(LC 6)

FORCES. (lb) - Max. Comp./Max. Ten. - All forces 250 (lb) or less except when shown.

- NOTES-**
- 1) Unbalanced roof live loads have been considered for this design.
 - 2) Wind: ASCE 7-05; 100mph; TCDL=6.0psf; BCDL=5.0psf; h=15ft; Cat. II; Exp C; enclosed; MWFRS (low-rise) and C-C Exterior(2) zone; cantilever left exposed ;C-C for members and forces & MWFRS for reactions shown; Lumber DOL=1.60 plate grip DOL=1.60
 - 3) Provide adequate drainage to prevent water ponding.
 - 4) This truss has been designed for a 10.0 psf bottom chord live load nonconcurrent with any other live loads.
 - 5) * This truss has been designed for a live load of 20.0psf on the bottom chord in all areas with a clearance greater than 6-0-0 between the bottom chord and any other members.
 - 6) Refer to girder(s) for truss to truss connections.
 - 7) Provide mechanical connection (by others) of truss to bearing plate capable of withstanding 100 lb uplift at joint(s) 4, 5, 7.



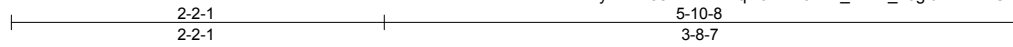
October 31, 2018

Job J0918-4435	Truss J06G	Truss Type JACK-OPEN GIRDER	Qty 1	Ply 1	Jason Price / Campbell Pointe Bldg. 26	E12370847
-------------------	---------------	--------------------------------	----------	----------	--	-----------

Comtech, Inc., Fayetteville, NC 28309

8.130 s Mar 11 2018 MiTek Industries, Inc. Wed Oct 31 12:58:08 2018 Page 1
ID:ZzXTyMvxB55ZLn?FA7qN0rzLZck-W_vF1Z_76gidBTBMxC2OTeHyuaEW37NEN8Xq6dyNuDD

Job Reference (optional)



Scale = 1:13.4

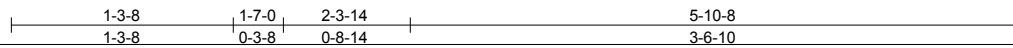
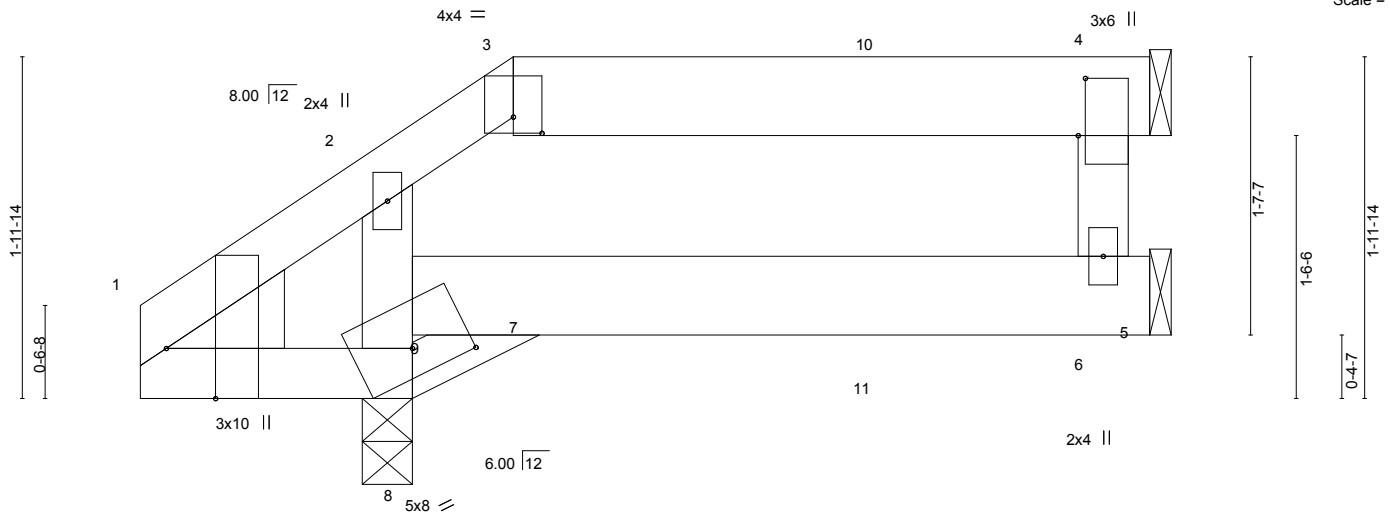


Plate Offsets (X,Y)-- [1:0-3-8,Edge], [1:0-1-3,0-5-5], [1:0-0-10,0-0-14], [3:0-2-0,0-1-2], [4:0-4-0,0-0-8], [7:0-3-8,0-1-12], [8:0-4-0,0-1-15], [9:0-1-4,0-2-7]

LOADING (psf)	SPACING-	CSL	DEFL.	in (loc)	l/defl	L/d	PLATES	GRIP
TCLL 20.0	Plate Grip DOL 1.15	TC 0.09	Vert(LL) -0.00	6-7	>999	360	MT20	244/190
TCDL 10.0	Lumber DOL 1.15	BC 0.05	Vert(TL) -0.00	6-7	>999	240		
BCLL 0.0 *	Rep Stress Incr NO	WB 0.14	Horz(TL) -0.01	4	n/a	n/a		
BCDL 10.0	Code IRC2009/TPI2007	Matrix-S	Wind(LL) -0.00	7	>999	240		
							Weight: 31 lb	FT = 20%

LUMBER-

TOP CHORD 2x4 SP No.1 *Except*
3-4: 2x6 SP No.1
BOT CHORD 2x4 SP No.1 *Except*
5-9: 2x6 SP No.1
WEBS 2x4 SP No.3
WEDGE
Left: 2x6 SP No.1

BRACING-

TOP CHORD Structural wood sheathing directly applied or 5-10-8 oc purlins.
BOT CHORD Rigid ceiling directly applied or 6-0-0 oc bracing.

REACTIONS. (lb/size) 8=258/0-3-8, 6=28/Mechanical, 4=75/Mechanical

Max Horz 8=53(LC 16)
Max Uplift 8=89(LC 5), 4=66(LC 3)
Max Grav 8=258(LC 1), 6=73(LC 2), 4=76(LC 10)

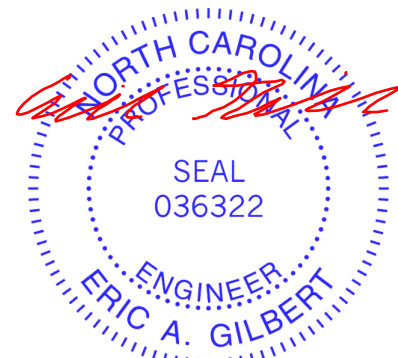
FORCES. (lb) - Max. Comp./Max. Ten. - All forces 250 (lb) or less except when shown.

NOTES-

- Unbalanced roof live loads have been considered for this design.
- Wind: ASCE 7-05; 100mph; TCDL=6.0psf; BCDL=5.0psf; h=15ft; Cat. II; Exp C; enclosed; MWFRS (low-rise); cantilever left exposed; Lumber DOL=1.60 plate grip DOL=1.60
- Provide adequate drainage to prevent water ponding.
- This truss has been designed for a 10.0 psf bottom chord live load nonconcurrent with any other live loads.
- * This truss has been designed for a live load of 20.0psf on the bottom chord in all areas with a clearance greater than 6-0-0 between the bottom chord and any other members.
- Refer to girder(s) for truss to truss connections.
- Provide mechanical connection (by others) of truss to bearing plate capable of withstanding 100 lb uplift at joint(s) 8, 4.
- Gap between inside of top chord bearing and first diagonal or vertical web shall not exceed 0.500in.
- Hanger(s) or other connection device(s) shall be provided sufficient to support concentrated load(s) 18 lb down and 99 lb up at 2-2-1, and 26 lb down and 99 lb up at 4-3-14 on top chord, and at 2-3-14, and at 4-3-14 on bottom chord. The design/selection of such connection device(s) is the responsibility of others.
- In the LOAD CASE(S) section, loads applied to the face of the truss are noted as front (F) or back (B).

LOAD CASE(S) Standard

- Dead + Roof Live (balanced): Lumber Increase=1.15, Plate Increase=1.15
Uniform Loads (plf)
Vert: 1-3=-60, 3-4=-60, 1-8=-20, 7-8=-20, 5-7=-20
Concentrated Loads (lb)
Vert: 3=46(B) 10=46(B)



October 31, 2018

WARNING - Verify design parameters and READ NOTES ON THIS AND INCLUDED MITTEK REFERENCE PAGE MII-7473 rev. 10/03/2015 BEFORE USE.

Design valid for use only with MiTek® connectors. This design is based only upon parameters shown, and is for an individual building component, not a truss system. Before use, the building designer must verify the applicability of design parameters and properly incorporate this design into the overall building design. Bracing indicated is to prevent buckling of individual truss web and/or chord members only. Additional temporary and permanent bracing is always required for stability and to prevent collapse with possible personal injury and property damage. For general guidance regarding the fabrication, storage, delivery, erection and bracing of trusses and truss systems, see ANS/TP1 Quality Criteria, DSB-89 and BCSI Building Component Safety Information available from Truss Plate Institute, 218 N. Lee Street, Suite 312, Alexandria, VA 22314.

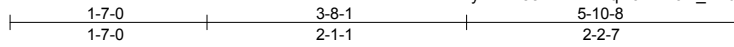


818 Soundside Road
Edenton, NC 27932

Job J0918-4435	Truss J06H	Truss Type JACK-OPEN	Qty 1	Ply 1	Jason Price / Campbell Pointe Bldg. 26	E12370848
-------------------	---------------	-------------------------	----------	----------	--	-----------

Comtech, Inc., Fayetteville, NC 28309

8.130 s Mar 11 2018 MiTek Industries, Inc. Wed Oct 31 12:58:09 2018 Page 1
ID:ZzXTyMvxB55ZLn?FA7qN0rzLZck-_ATdEv?It_qUpdmYVvZd0rq7b_YxobDOcoHOe3yNuDC



Scale = 1:18.5

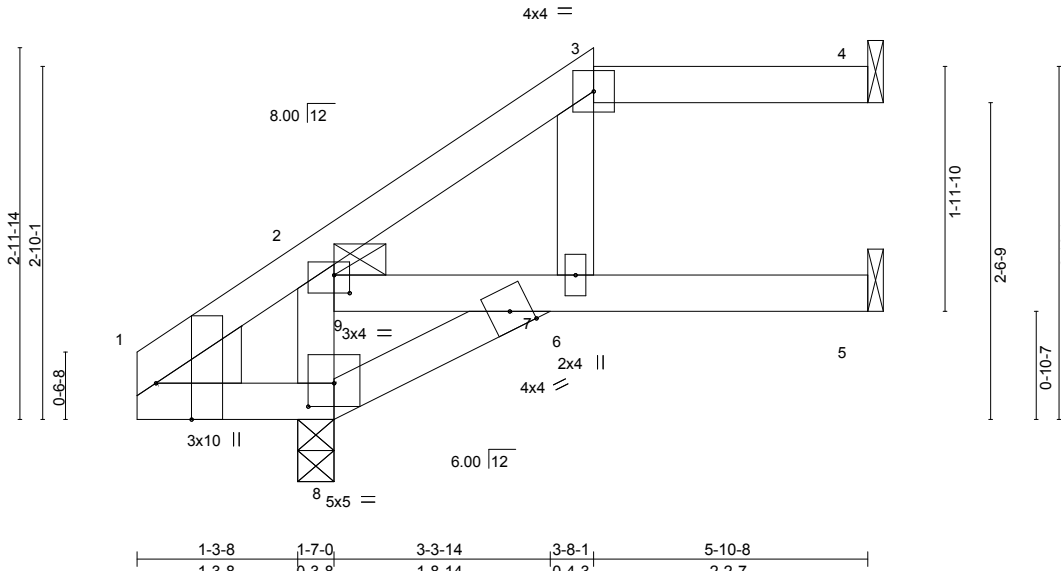


Plate Offsets (X,Y)--	[1:0-3-8,Edge], [1:0-1-3,0-5-5], [1:0-0-10,0-0-14], [2:0-1-12,0-1-3], [8:0-2-8,0-2-4], [9:0-0-0,0-1-12], [9:0-1-8,0-1-12]
-----------------------	---

LOADING (psf)	SPACING-	CSI.	DEFL.	in (loc)	l/defl	L/d	PLATES	GRIP
TCLL 20.0	Plate Grip DOL 1.15	TC 0.09	Vert(LL) -0.01	6	>999	360	MT20	244/190
TCDL 10.0	Lumber DOL 1.15	BC 0.17	Vert(TL) -0.04	6	>999	240		
BCLL 0.0 *	Rep Stress Incr YES	WB 0.10	Horz(TL) 0.05	4	n/a	n/a		
BCDL 10.0	Code IRC2009/TP12007	Matrix-S	Wind(LL) 0.02	6	>999	240	Weight: 27 lb	FT = 20%

LUMBER-
TOP CHORD 2x4 SP No.1
BOT CHORD 2x4 SP No.1
WEBS 2x4 SP No.3
WEDGE
Left: 2x6 SP No.1

BRACING-
TOP CHORD Structural wood sheathing directly applied or 5-10-8 oc purlins.
BOT CHORD Rigid ceiling directly applied or 6-0-0 oc bracing, Except: 10-0-0 oc bracing: 5-6.

REACTIONS. All bearings Mechanical except (jt=length) 8=0-3-8, 8=0-3-8.
(b) - Max Horz 8=83(LC 6)
Max Uplift All uplift 100 lb or less at joint(s) 4, 8, 5
Max Grav All reactions 250 lb or less at joint(s) 4, 5 except 8=320(LC 1), 8=320(LC 1)

FORCES. (lb) - Max. Comp./Max. Ten. - All forces 250 (lb) or less except when shown.

- NOTES-**
- Unbalanced roof live loads have been considered for this design.
 - Wind: ASCE 7-05; 100mph; TCDL=6.0psf; BCDL=5.0psf; h=15ft; Cat. II; Exp C; enclosed; MWFRS (low-rise) and C-C Exterior(2) zone; cantilever left exposed ;C-C for members and forces & MWFRS for reactions shown; Lumber DOL=1.60 plate grip DOL=1.60
 - Provide adequate drainage to prevent water ponding.
 - This truss has been designed for a 10.0 psf bottom chord live load nonconcurrent with any other live loads.
 - * This truss has been designed for a live load of 20.0psf on the bottom chord in all areas with a clearance greater than 6-0-0 between the bottom chord and any other members.
 - Refer to girder(s) for truss to truss connections.
 - Provide mechanical connection (by others) of truss to bearing plate capable of withstanding 100 lb uplift at joint(s) 4, 8, 5.



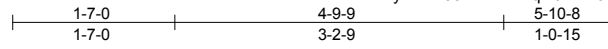
October 31, 2018

Job J0918-4435	Truss J06I	Truss Type JACK-OPEN	Qty 1	Ply 1	Jason Price / Campbell Pointe Bldg. 26	E12370849
-------------------	---------------	-------------------------	----------	----------	--	-----------

Comtech, Inc., Fayetteville, NC 28309

8.130 s Mar 11 2018 MiTek Industries, Inc. Wed Oct 31 12:58:10 2018 Page 1

ID:ZzXTyMvxB55ZLn?FA7qN0rzLZck-SM1?SF?OeHyLRnLk3c4sY3MIG0teX38XqS0xBWyuNuDB



Scale = 1:22.5

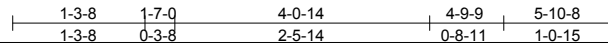
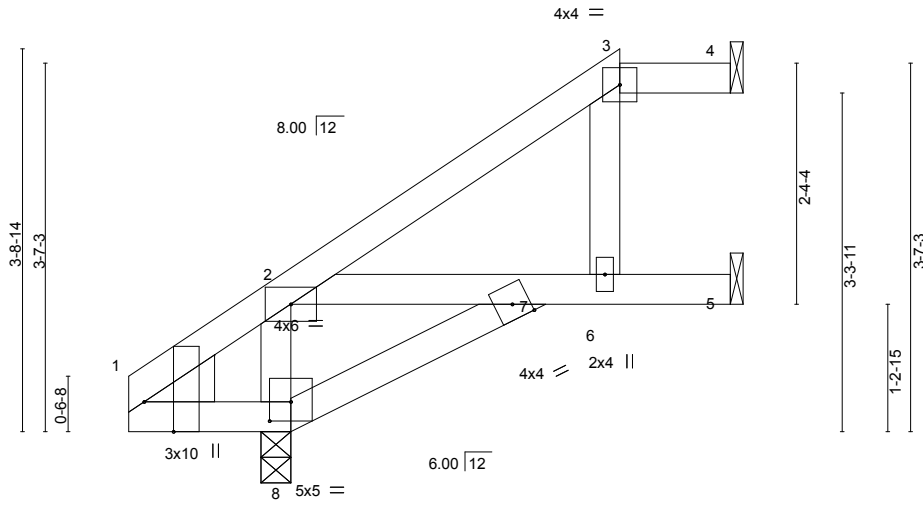


Plate Offsets (X,Y)-- [1:0-3-8,Edge], [1:0-1-3,0-5-5], [1:0-0-10,0-0-14], [8:0-2-8,0-2-4]

LOADING (psf)	SPACING-	CSI.	DEFL.	in (loc)	l/defl	L/d	PLATES	GRIP
TCLL 20.0	Plate Grip DOL 1.15	TC 0.09	Vert(LL) -0.02	7	>999	360	MT20	244/190
TCDL 10.0	Lumber DOL 1.15	BC 0.20	Vert(TL) -0.04	7	>999	240		
BCLL 0.0 *	Rep Stress Incr YES	WB 0.06	Horz(TL) 0.05	4	n/a	n/a		
BCDL 10.0	Code IRC2009/TP12007	Matrix-P	Wind(LL) 0.03	7	>999	240		
							Weight: 29 lb	FT = 20%

LUMBER-
 TOP CHORD 2x4 SP No.1
 BOT CHORD 2x4 SP No.1
 WEBS 2x4 SP No.3
 WEDGE
 Left: 2x6 SP No.1

BRACING-
 TOP CHORD Structural wood sheathing directly applied or 5-10-8 oc purlins.
 BOT CHORD Rigid ceiling directly applied or 6-0-0 oc bracing, Except:
 10-0-0 oc bracing: 5-6.

REACTIONS. All bearings Mechanical except (jt=length) 8=0-3-8, 8=0-3-8.
 (b) - Max Horz 8=107(LC 6)
 Max Uplift All uplift 100 lb or less at joint(s) 4, 8, 5
 Max Grav All reactions 250 lb or less at joint(s) 4, 5 except 8=320(LC 1), 8=320(LC 1)

FORCES. (lb) - Max. Comp./Max. Ten. - All forces 250 (lb) or less except when shown.
 WEBS 2-8=-267/185

- NOTES-**
- 1) Unbalanced roof live loads have been considered for this design.
 - 2) Wind: ASCE 7-05; 100mph; TCDL=6.0psf; BCDL=5.0psf; h=15ft; Cat. II; Exp C; enclosed; MWFRS (low-rise) and C-C Exterior(2) zone; cantilever left exposed ;C-C for members and forces & MWFRS for reactions shown; Lumber DOL=1.60 plate grip DOL=1.60
 - 3) Provide adequate drainage to prevent water ponding.
 - 4) This truss has been designed for a 10.0 psf bottom chord live load nonconcurrent with any other live loads.
 - 5) * This truss has been designed for a live load of 20.0psf on the bottom chord in all areas with a clearance greater than 6-0-0 between the bottom chord and any other members.
 - 6) Refer to girder(s) for truss to truss connections.
 - 7) Provide mechanical connection (by others) of truss to bearing plate capable of withstanding 100 lb uplift at joint(s) 4, 8, 5.



October 31,2018

WARNING - Verify design parameters and READ NOTES ON THIS AND INCLUDED MITEK REFERENCE PAGE MII-7473 rev. 10/03/2015 BEFORE USE.

Design valid for use only with MiTek® connectors. This design is based only upon parameters shown, and is for an individual building component, not a truss system. Before use, the building designer must verify the applicability of design parameters and properly incorporate this design into the overall building design. Bracing indicated is to prevent buckling of individual truss web and/or chord members only. Additional temporary and permanent bracing is always required for stability and to prevent collapse with possible personal injury and property damage. For general guidance regarding the fabrication, storage, delivery, erection and bracing of trusses and truss systems, see **ANSI/TP1 Quality Criteria, DSB-89 and BCSI Building Component Safety Information** available from Truss Plate Institute, 218 N. Lee Street, Suite 312, Alexandria, VA 22314.



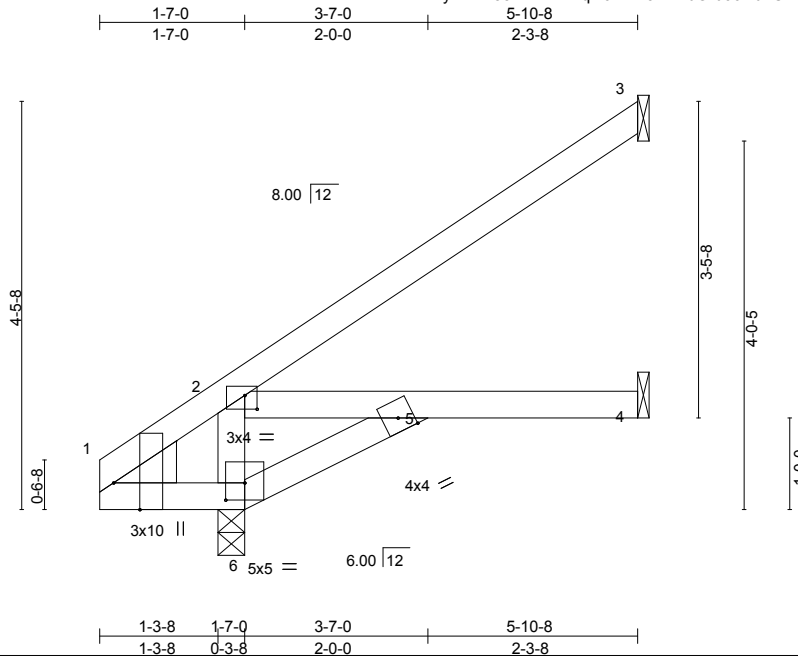
818 Soundside Road
 Edenton, NC 27932

Job J0918-4435	Truss J06J	Truss Type JACK-OPEN	Qty 1	Ply 1	Jason Price / Campbell Pointe Bldg. 26 Job Reference (optional)	E12370850
-------------------	---------------	-------------------------	----------	----------	--	-----------

Comtech, Inc., Fayetteville, NC 28309

8.130 s Mar 11 2018 MiTek Industries, Inc. Wed Oct 31 12:58:11 2018 Page 1

ID:ZzXTyMvxB55ZLn?FA7qN0rzLZck-xZbOfb00Pb4C2wwwdKc55GvRSoERGWJh36mUjyyNuDA



Scale = 1:25.2

Plate Offsets (X,Y)-- [1:0-3-8,Edge], [1:0-1-3,0-5-5], [1:0-0-10,0-0-14], [2:0-1-10,0-1-13], [6:0-2-8,0-2-4]

LOADING (psf)	SPACING-	CSL	DEFL.	in (loc)	l/defl	L/d	PLATES	GRIP
TCLL 20.0	Plate Grip DOL 1.15	TC 0.19	Vert(LL) -0.02	5	>999	360	MT20	244/190
TCDL 10.0	Lumber DOL 1.15	BC 0.16	Vert(TL) -0.04	5	>999	240		
BCLL 0.0 *	Rep Stress Incr YES	WB 0.06	Horz(TL) 0.03	3	n/a	n/a		
BCDL 10.0	Code IRC2009/TP12007	Matrix-P	Wind(LL) 0.02	5	>999	240		
							Weight: 26 lb	FT = 20%

LUMBER-

TOP CHORD 2x4 SP No.1
 BOT CHORD 2x4 SP No.1
 WEBS 2x4 SP No.3
 WEDGE
 Left: 2x6 SP No.1

BRACING-

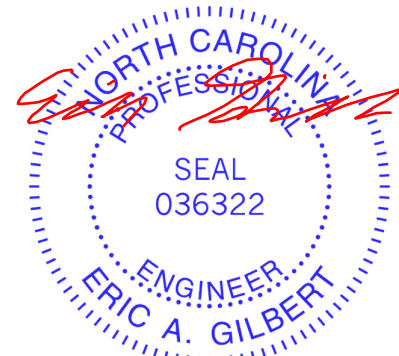
TOP CHORD Structural wood sheathing directly applied or 5-10-8 oc purlins.
 BOT CHORD Rigid ceiling directly applied or 6-0-0 oc bracing.

REACTIONS. (lb/size) 3=111/Mechanical, 6=353/0-3-8, 4=44/Mechanical
 Max Horz 6=132(LC 6)
 Max Uplift 3=-64(LC 6), 6=-8(LC 6), 4=-6(LC 6)
 Max Grav 3=111(LC 1), 6=353(LC 1), 4=84(LC 2)

FORCES. (lb) - Max. Comp./Max. Ten. - All forces 250 (lb) or less except when shown.
 WEBS 2-6=-303/161

NOTES-

- 1) Wind: ASCE 7-05; 100mph; TCDL=6.0psf; BCDL=5.0psf; h=15ft; Cat. II; Exp C; enclosed; MWFRS (low-rise) and C-C Exterior(2) zone; cantilever left exposed ;C-C for members and forces & MWFRS for reactions shown; Lumber DOL=1.60 plate grip DOL=1.60
- 2) This truss has been designed for a 10.0 psf bottom chord live load nonconcurrent with any other live loads.
- 3) * This truss has been designed for a live load of 20.0psf on the bottom chord in all areas with a clearance greater than 6-0-0 between the bottom chord and any other members.
- 4) Refer to girder(s) for truss to truss connections.
- 5) Provide mechanical connection (by others) of truss to bearing plate capable of withstanding 100 lb uplift at joint(s) 3, 6, 4.



October 31, 2018

WARNING - Verify design parameters and READ NOTES ON THIS AND INCLUDED MITTEK REFERENCE PAGE MII-7473 rev. 10/03/2015 BEFORE USE.

Design valid for use only with MiTek® connectors. This design is based only upon parameters shown, and is for an individual building component, not a truss system. Before use, the building designer must verify the applicability of design parameters and properly incorporate this design into the overall building design. Bracing indicated is to prevent buckling of individual truss web and/or chord members only. Additional temporary and permanent bracing is always required for stability and to prevent collapse with possible personal injury and property damage. For general guidance regarding the fabrication, storage, delivery, erection and bracing of trusses and truss systems, see ANSI/TP1 Quality Criteria, DSB-89 and BCSI Building Component Safety Information available from Truss Plate Institute, 218 N. Lee Street, Suite 312, Alexandria, VA 22314.

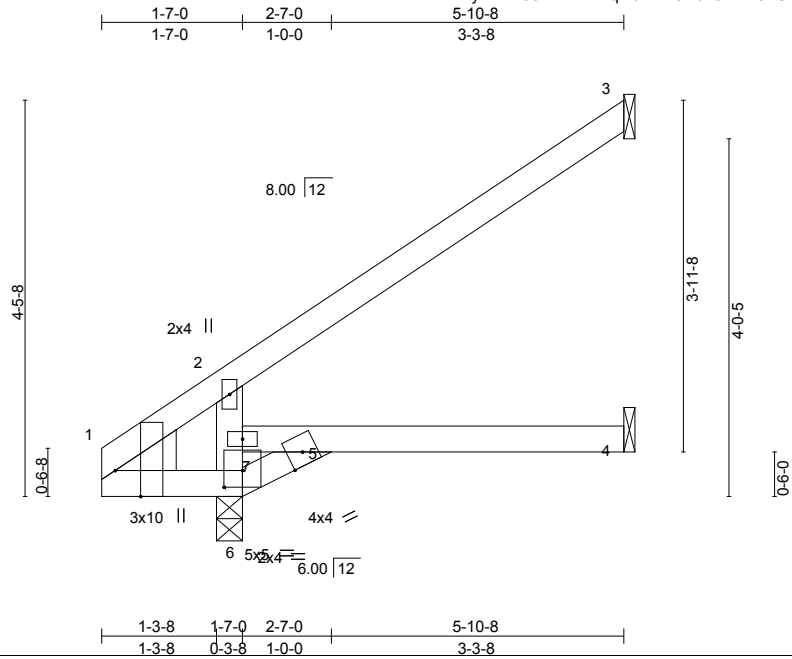


818 Soundside Road
 Edenton, NC 27932

Job J0918-4435	Truss J06K	Truss Type JACK-OPEN	Qty 1	Ply 1	Jason Price / Campbell Pointe Bldg. 26	E12370851
-------------------	---------------	-------------------------	----------	----------	--	-----------

Comtech, Inc., Fayetteville, NC 28309

8.130 s Mar 11 2018 MiTek Industries, Inc. Wed Oct 31 12:58:13 2018 Page 1
ID:ZzXTyMvxB55ZLn?FA7qN0rzLZck-txi84H2GxCKwIE4JkleZAh_nybvMkLYzWQFbnryNuD8



Scale = 1:25.9

Plate Offsets (X,Y)--	[1:0-3-8,Edge], [1:0-1-3,0-5-5], [1:0-0-10,0-0-14], [6:0-2-8,0-2-4]				
LOADING (psf)	SPACING- 2-0-0	CSI.	DEFL. in (loc) l/defl L/d	PLATES	GRIP
TCLL 20.0	Plate Grip DOL 1.15	TC 0.19	Vert(LL) -0.01 4-5 >999 360	MT20	244/190
TCDL 10.0	Lumber DOL 1.15	BC 0.14	Vert(TL) -0.03 4-5 >999 240		
BCLL 0.0 *	Rep Stress Incr YES	WB 0.33	Horz(TL) -0.03 3 n/a n/a		
BCDL 10.0	Code IRC2009/TP12007	Matrix-P	Wind(LL) 0.02 4-5 >999 240	Weight: 24 lb	FT = 20%

LUMBER-

TOP CHORD 2x4 SP No.1
BOT CHORD 2x4 SP No.1
WEBS 2x4 SP No.3
WEDGE
Left: 2x6 SP No.1

BRACING-

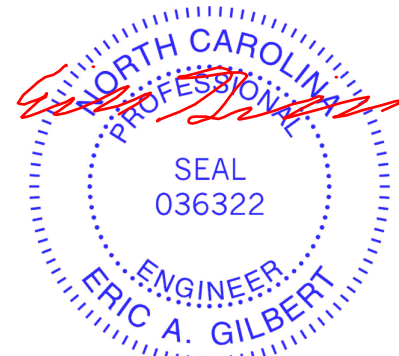
TOP CHORD Structural wood sheathing directly applied or 5-10-8 oc purlins.
BOT CHORD Rigid ceiling directly applied or 6-0-0 oc bracing.

REACTIONS. (lb/size) 3=110/Mechanical, 6=340/0-3-8, 4=38/Mechanical
Max Horz 6=132(LC 6)
Max Uplift 3=-69(LC 6), 6=-14(LC 6), 4=-4(LC 6)
Max Grav 3=110(LC 1), 6=340(LC 1), 4=73(LC 2)

FORCES. (lb) - Max. Comp./Max. Ten. - All forces 250 (lb) or less except when shown.
BOT CHORD 5-6=-308/23, 5-7=-19/273
WEBS 6-7=-290/178, 2-7=-255/146

NOTES-

- 1) Wind: ASCE 7-05; 100mph; TCDL=6.0psf; BCDL=5.0psf; h=15ft; Cat. II; Exp C; enclosed; MWFRS (low-rise) and C-C Exterior(2) zone; cantilever left exposed ;C-C for members and forces & MWFRS for reactions shown; Lumber DOL=1.60 plate grip DOL=1.60
- 2) This truss has been designed for a 10.0 psf bottom chord live load nonconcurrent with any other live loads.
- 3) * This truss has been designed for a live load of 20.0psf on the bottom chord in all areas with a clearance greater than 6-0-0 between the bottom chord and any other members.
- 4) Refer to girder(s) for truss to truss connections.
- 5) Provide mechanical connection (by others) of truss to bearing plate capable of withstanding 100 lb uplift at joint(s) 3, 6, 4.



October 31,2018

WARNING - Verify design parameters and READ NOTES ON THIS AND INCLUDED MITEK REFERENCE PAGE MII-7473 rev. 10/03/2015 BEFORE USE.

Design valid for use only with MiTek® connectors. This design is based only upon parameters shown, and is for an individual building component, not a truss system. Before use, the building designer must verify the applicability of design parameters and properly incorporate this design into the overall building design. Bracing indicated is to prevent buckling of individual truss web and/or chord members only. Additional temporary and permanent bracing is always required for stability and to prevent collapse with possible personal injury and property damage. For general guidance regarding the fabrication, storage, delivery, erection and bracing of trusses and truss systems, see **ANSI/TP1 Quality Criteria, DSB-89 and BCSI Building Component Safety Information** available from Truss Plate Institute, 218 N. Lee Street, Suite 312, Alexandria, VA 22314.



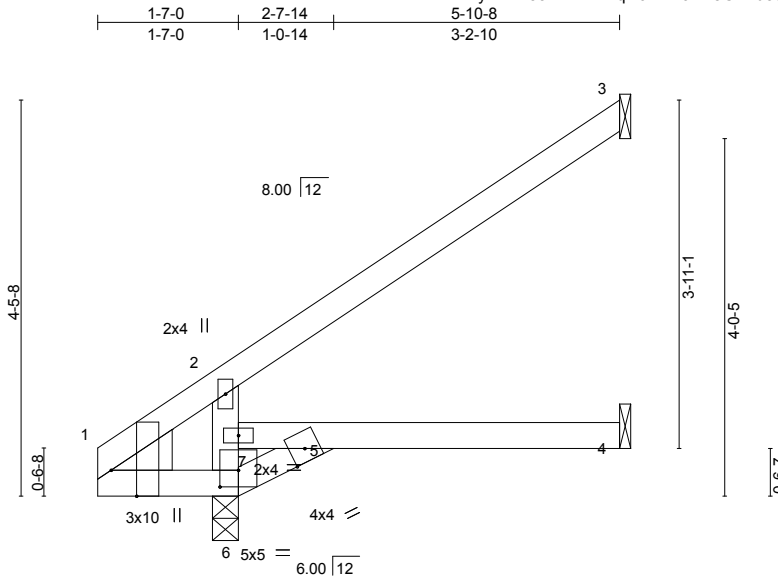
818 Soundside Road
Edenton, NC 27932

Job J0918-4435	Truss J06L	Truss Type JACK-OPEN	Qty 1	Ply 1	Jason Price / Campbell Pointe Bldg. 26	E12370852
-------------------	---------------	-------------------------	----------	----------	--	-----------

Comtech, Inc., Fayetteville, NC 28309

8.130 s Mar 11 2018 MiTek Industries, Inc. Wed Oct 31 12:58:14 2018 Page 1

ID:ZzXTyMvxB55ZLn?FA7qN0rzLZck-L8GWIId3uiWsnvOfVIS9ojuXyi?FeToy714_9KHYNuD7



Scale = 1:25.9

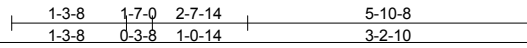


Plate Offsets (X,Y)-- [1:0-3-8,Edge], [1:0-1-3,0-5-5], [1:0-0-10,0-0-14], [6:0-2-8,0-2-4]

LOADING (psf)	SPACING-	CSI.	DEFL.	in (loc)	l/defl	L/d	PLATES	GRIP
TCLL 20.0	2-0-0	TC 0.19	Vert(LL)	-0.01	4-5	>999	MT20	244/190
TCDL 10.0	Plate Grip DOL 1.15	BC 0.13	Vert(TL)	-0.03	4-5	>999		
BCLL 0.0 *	Lumber DOL 1.15	WB 0.32	Horz(TL)	-0.03	3	n/a		
BCDL 10.0	Rep Stress Incr YES	Matrix-P	Wind(LL)	0.02	4-5	>999		
	Code IRC2009/TPI2007						Weight: 24 lb	FT = 20%

LUMBER-
 TOP CHORD 2x4 SP No.1
 BOT CHORD 2x4 SP No.1
 WEBS 2x4 SP No.3
 WEDGE
 Left: 2x6 SP No.1

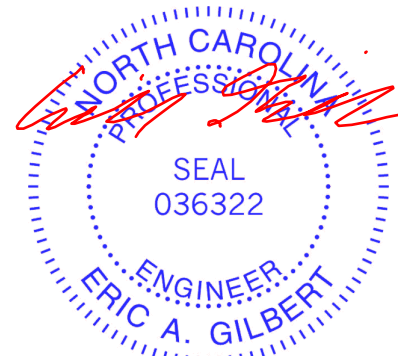
BRACING-
 TOP CHORD Structural wood sheathing directly applied or 5-10-8 oc purlins.
 BOT CHORD Rigid ceiling directly applied or 6-0-0 oc bracing.

REACTIONS. (lb/size) 3=110/Mechanical, 6=341/0-3-8, 4=38/Mechanical
 Max Horz 6=132(LC 6)
 Max Uplift 3=-69(LC 6), 6=-14(LC 6), 4=-4(LC 6)
 Max Grav 3=110(LC 1), 6=341(LC 1), 4=73(LC 2)

FORCES. (lb) - Max. Comp./Max. Ten. - All forces 250 (lb) or less except when shown.
 BOT CHORD 5-6=-295/23, 5-7=-18/261
 WEBS 6-7=-291/179, 2-7=-254/147

NOTES-

- 1) Wind: ASCE 7-05; 100mph; TCDL=6.0psf; BCDL=5.0psf; h=15ft; Cat. II; Exp C; enclosed; MWFRS (low-rise) and C-C Exterior(2) zone; cantilever left exposed ;C-C for members and forces & MWFRS for reactions shown; Lumber DOL=1.60 plate grip DOL=1.60
- 2) This truss has been designed for a 10.0 psf bottom chord live load nonconcurrent with any other live loads.
- 3) * This truss has been designed for a live load of 20.0psf on the bottom chord in all areas with a clearance greater than 6-0-0 between the bottom chord and any other members.
- 4) Refer to girder(s) for truss to truss connections.
- 5) Provide mechanical connection (by others) of truss to bearing plate capable of withstanding 100 lb uplift at joint(s) 3, 6, 4.



October 31,2018

WARNING - Verify design parameters and READ NOTES ON THIS AND INCLUDED MITTEK REFERENCE PAGE MII-7473 rev. 10/03/2015 BEFORE USE.

Design valid for use only with MiTek® connectors. This design is based only upon parameters shown, and is for an individual building component, not a truss system. Before use, the building designer must verify the applicability of design parameters and properly incorporate this design into the overall building design. Bracing indicated is to prevent buckling of individual truss web and/or chord members only. Additional temporary and permanent bracing is always required for stability and to prevent collapse with possible personal injury and property damage. For general guidance regarding the fabrication, storage, delivery, erection and bracing of trusses and truss systems, see **ANSI/TPI1 Quality Criteria, DSB-89 and BCSI Building Component Safety Information** available from Truss Plate Institute, 218 N. Lee Street, Suite 312, Alexandria, VA 22314.



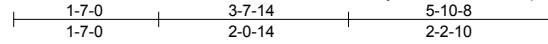
818 Soundside Road
 Edenton, NC 27932

Job J0918-4435	Truss J06M	Truss Type JACK-OPEN	Qty 1	Ply 1	Jason Price / Campbell Pointe Bldg. 26	E12370853
-------------------	---------------	-------------------------	----------	----------	--	-----------

Comtech, Inc., Fayetteville, NC 28309

8.130 s Mar 11 2018 MiTek Industries, Inc. Wed Oct 31 12:58:15 2018 Page 1

ID:ZzXTyMvxB55ZLn?FA7qN0rzLZck-pKquVz3WTqbeXYEisAg1F647RPbGCKIG_kkisjyNuD6



Scale = 1:25.2

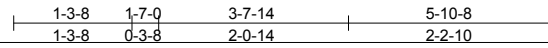
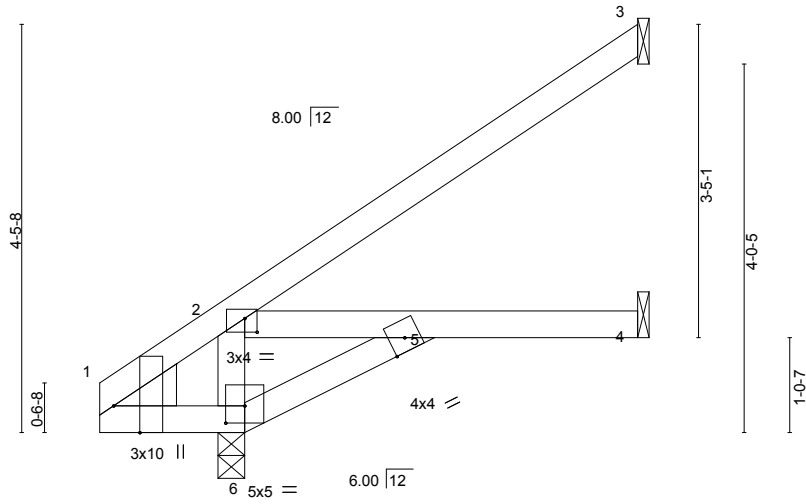


Plate Offsets (X,Y)-- [1:0-3-8,Edge], [1:0-1-3,0-5-5], [1:0-0-10,0-0-14], [2:0-1-10,0-1-13], [6:0-2-8,0-2-4]

LOADING (psf)	SPACING-	CSL	DEFL.	in (loc)	l/defl	L/d	PLATES	GRIP
TCLL 20.0	2-0-0	TC 0.19	Vert(LL) -0.02	5	>999	360	MT20	244/190
TCDL 10.0	Plate Grip DOL 1.15	BC 0.17	Vert(TL) -0.05	5	>999	240		
BCLL 0.0 *	Lumber DOL 1.15	WB 0.06	Horz(TL) 0.03	3	n/a	n/a		
BCDL 10.0	Rep Stress Incr YES	Matrix-P	Wind(LL) 0.02	5	>999	240		
	Code IRC2009/TP12007						Weight: 26 lb	FT = 20%

LUMBER-
 TOP CHORD 2x4 SP No.1
 BOT CHORD 2x4 SP No.1
 WEBS 2x4 SP No.3
 WEDGE
 Left: 2x6 SP No.1

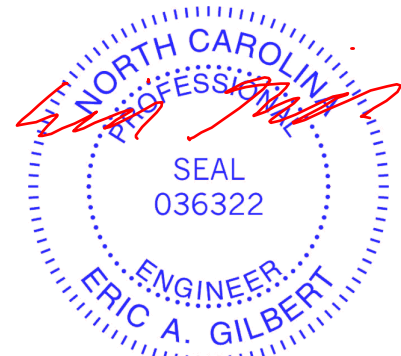
BRACING-
 TOP CHORD Structural wood sheathing directly applied or 5-10-8 oc purlins.
 BOT CHORD Rigid ceiling directly applied or 6-0-0 oc bracing.

REACTIONS. (lb/size) 3=110/Mechanical, 6=353/0-3-8, 4=45/Mechanical
 Max Horz 6=132(LC 6)
 Max Uplift 3=-63(LC 6), 6=-7(LC 6), 4=-6(LC 6)
 Max Grav 3=110(LC 1), 6=353(LC 1), 4=85(LC 2)

FORCES. (lb) - Max. Comp./Max. Ten. - All forces 250 (lb) or less except when shown.
 WEBS 2-6=-303/161

NOTES-

- 1) Wind: ASCE 7-05; 100mph; TC DL=6.0psf; BC DL=5.0psf; h=15ft; Cat. II; Exp C; enclosed; MWFRS (low-rise) and C-C Exterior(2) zone; cantilever left exposed ;C-C for members and forces & MWFRS for reactions shown; Lumber DOL=1.60 plate grip DOL=1.60
- 2) This truss has been designed for a 10.0 psf bottom chord live load nonconcurrent with any other live loads.
- 3) * This truss has been designed for a live load of 20.0psf on the bottom chord in all areas with a clearance greater than 6-0-0 between the bottom chord and any other members.
- 4) Refer to girder(s) for truss to truss connections.
- 5) Provide mechanical connection (by others) of truss to bearing plate capable of withstanding 100 lb uplift at joint(s) 3, 6, 4.



October 31,2018

WARNING - Verify design parameters and READ NOTES ON THIS AND INCLUDED MITEK REFERENCE PAGE MII-7473 rev. 10/03/2015 BEFORE USE.

Design valid for use only with MiTek® connectors. This design is based only upon parameters shown, and is for an individual building component, not a truss system. Before use, the building designer must verify the applicability of design parameters and properly incorporate this design into the overall building design. Bracing indicated is to prevent buckling of individual truss web and/or chord members only. Additional temporary and permanent bracing is always required for stability and to prevent collapse with possible personal injury and property damage. For general guidance regarding the fabrication, storage, delivery, erection and bracing of trusses and truss systems, see ANSI/TP1 Quality Criteria, DSB-89 and BCSI Building Component Safety Information available from Truss Plate Institute, 218 N. Lee Street, Suite 312, Alexandria, VA 22314.



818 Soundside Road
 Edenton, NC 27932

Job J0918-4435	Truss J06N	Truss Type JACK-OPEN	Qty 1	Ply 1	Jason Price / Campbell Pointe Bldg. 26	E12370854
-------------------	---------------	-------------------------	----------	----------	--	-----------

Comtech, Inc., Fayetteville, NC 28309

8.130 s Mar 11 2018 MiTek Industries, Inc. Wed Oct 31 12:58:17 2018 Page 1

ID:ZzXTyMvxB55ZLn?FA7qN0rzLZck-liyfwe5n?RrMmrN4zbiVKX9TiClgEzZR2DpwcYnuD4



Scale = 1:25.2

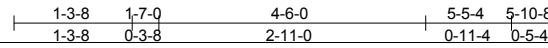
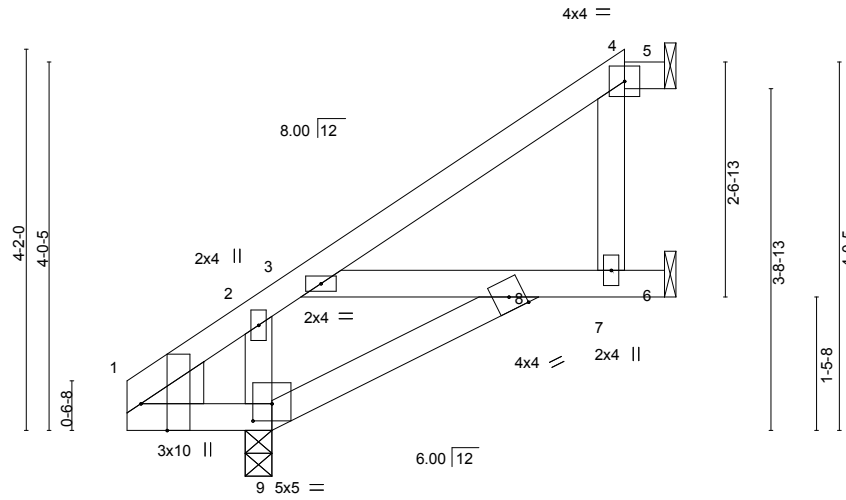


Plate Offsets (X,Y)-- [1:0-3-8,Edge], [1:0-1-3,0-5-5], [1:0-0-10,0-0-14], [9:0-2-8,0-2-4]

LOADING (psf)	SPACING-	CSL	DEFL.	in (loc)	l/defl	L/d	PLATES	GRIP
TCLL 20.0	Plate Grip DOL 1.15	TC 0.15	Vert(LL) -0.01	8	>999	360	MT20	244/190
TCDL 10.0	Lumber DOL 1.15	BC 0.11	Vert(TL) -0.02	3-8	>999	240		
BCLL 0.0 *	Rep Stress Incr YES	WB 0.05	Horz(TL) 0.01	5	n/a	n/a		
BCDL 10.0	Code IRC2009/TP12007	Matrix-S	Wind(LL) 0.02	3-8	>999	240		
							Weight: 30 lb	FT = 20%

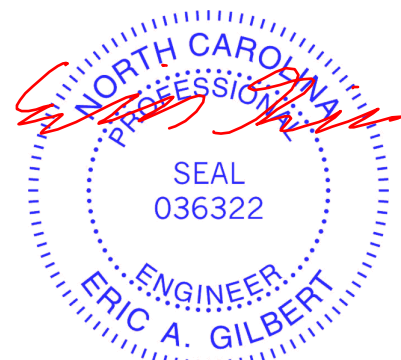
LUMBER-
 TOP CHORD 2x4 SP No.1
 BOT CHORD 2x4 SP No.1
 WEBS 2x4 SP No.3
 WEDGE
 Left: 2x6 SP No.1

BRACING-
 TOP CHORD Structural wood sheathing directly applied or 5-10-8 oc purlins.
 BOT CHORD Rigid ceiling directly applied or 6-0-0 oc bracing, Except: 10-0-0 oc bracing: 6-7.

REACTIONS. All bearings Mechanical except (jt=length) 9=0-3-8, 9=0-3-8.
 (b) - Max Horz 9=121(LC 6)
 Max Uplift All uplift 100 lb or less at joint(s) 5, 9, 6
 Max Grav All reactions 250 lb or less at joint(s) 5, 6 except 9=320(LC 1), 9=320(LC 1)

FORCES. (lb) - Max. Comp./Max. Ten. - All forces 250 (lb) or less except when shown.

- NOTES-**
- 1) Unbalanced roof live loads have been considered for this design.
 - 2) Wind: ASCE 7-05; 100mph; TCDL=6.0psf; BCDL=5.0psf; h=15ft; Cat. II; Exp C; enclosed; MWFRS (low-rise) and C-C Exterior(2) zone; cantilever left exposed ;C-C for members and forces & MWFRS for reactions shown; Lumber DOL=1.60 plate grip DOL=1.60
 - 3) Provide adequate drainage to prevent water ponding.
 - 4) This truss has been designed for a 10.0 psf bottom chord live load nonconcurrent with any other live loads.
 - 5) * This truss has been designed for a live load of 20.0psf on the bottom chord in all areas with a clearance greater than 6-0-0 between the bottom chord and any other members.
 - 6) Refer to girder(s) for truss to truss connections.
 - 7) Provide mechanical connection (by others) of truss to bearing plate capable of withstanding 100 lb uplift at joint(s) 5, 9, 6.



October 31, 2018

WARNING - Verify design parameters and READ NOTES ON THIS AND INCLUDED MITEK REFERENCE PAGE MII-7473 rev. 10/03/2015 BEFORE USE.

Design valid for use only with MiTek® connectors. This design is based only upon parameters shown, and is for an individual building component, not a truss system. Before use, the building designer must verify the applicability of design parameters and properly incorporate this design into the overall building design. Bracing indicated is to prevent buckling of individual truss web and/or chord members only. Additional temporary and permanent bracing is always required for stability and to prevent collapse with possible personal injury and property damage. For general guidance regarding the fabrication, storage, delivery, erection and bracing of trusses and truss systems, see **ANSI/TP1 Quality Criteria, DSB-89 and BCSI Building Component Safety Information** available from Truss Plate Institute, 218 N. Lee Street, Suite 312, Alexandria, VA 22314.



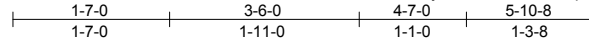
818 Soundside Road
 Edenton, NC 27932

Job J0918-4435	Truss J060	Truss Type JACK-OPEN	Qty 1	Ply 1	Jason Price / Campbell Pointe Bldg. 26	E12370855
-------------------	---------------	-------------------------	----------	----------	--	-----------

Comtech, Inc., Fayetteville, NC 28309

8.130 s Mar 11 2018 MiTek Industries, Inc. Wed Oct 31 12:58:18 2018 Page 1

ID:ZzXTyMvxB55ZLn?FA7qN0rzLZck-DvW17_6PlIzDO?yHXIEktkie2cdkPhYjgijMT2yNuD3



4x4 =

Scale = 1:23.3

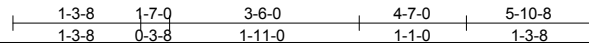
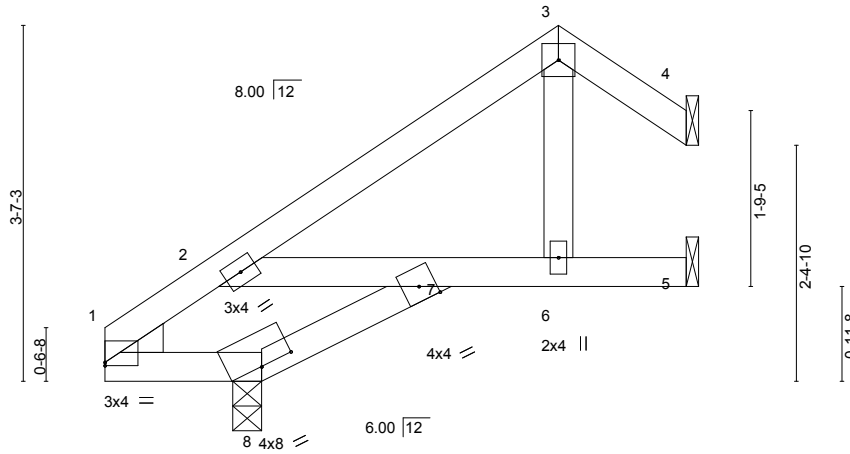


Plate Offsets (X,Y)-- [1:0-0-0,0-0-6], [8:0-4-0,0-0-1]

LOADING (psf)	SPACING-	CSL	DEFL.	in (loc)	l/defl	L/d	PLATES	GRIP
TCLL 20.0	2-0-0	TC 0.17	Vert(LL) -0.02	2	>999	360	MT20	244/190
TCDL 10.0	Plate Grip DOL 1.15	BC 0.19	Vert(TL) -0.05	2-7	>997	240		
BCLL 0.0 *	Lumber DOL 1.15	WB 0.03	Horz(TL) 0.05	4	n/a	n/a		
BCDL 10.0	Rep Stress Incr YES	Matrix-S	Wind(LL) 0.03	2	>999	240		
	Code IRC2009/TPI2007						Weight: 27 lb	FT = 20%

LUMBER-
 TOP CHORD 2x4 SP No.1
 BOT CHORD 2x4 SP No.1
 WEBS 2x4 SP No.3
 WEDGE
 Left: 2x4 SP No.3

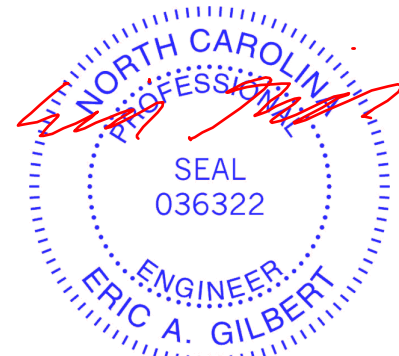
BRACING-
 TOP CHORD Structural wood sheathing directly applied or 5-10-8 oc purlins.
 BOT CHORD Rigid ceiling directly applied or 6-0-0 oc bracing.

REACTIONS. (lb/size) 4=39/Mechanical, 8=320/0-3-8, 5=106/Mechanical
 Max Horz 8=89(LC 6)
 Max Uplift 4=-16(LC 7), 8=-56(LC 6), 5=-22(LC 6)
 Max Grav 4=47(LC 11), 8=320(LC 1), 5=106(LC 1)

FORCES. (lb) - Max. Comp./Max. Ten. - All forces 250 (lb) or less except when shown.

NOTES-

- Unbalanced roof live loads have been considered for this design.
- Wind: ASCE 7-05; 100mph; TCDL=6.0psf; BCDL=5.0psf; h=15ft; Cat. II; Exp C; enclosed; MWFRS (low-rise) and C-C Exterior(2) zone; cantilever left exposed ;C-C for members and forces & MWFRS for reactions shown; Lumber DOL=1.60 plate grip DOL=1.60
- This truss has been designed for a 10.0 psf bottom chord live load nonconcurrent with any other live loads.
- * This truss has been designed for a live load of 20.0psf on the bottom chord in all areas with a clearance greater than 6-0-0 between the bottom chord and any other members.
- Refer to girder(s) for truss to truss connections.
- Provide mechanical connection (by others) of truss to bearing plate capable of withstanding 100 lb uplift at joint(s) 4, 8, 5.



October 31, 2018

WARNING - Verify design parameters and READ NOTES ON THIS AND INCLUDED MITEK REFERENCE PAGE MII-7473 rev. 10/03/2015 BEFORE USE.

Design valid for use only with MiTek® connectors. This design is based only upon parameters shown, and is for an individual building component, not a truss system. Before use, the building designer must verify the applicability of design parameters and properly incorporate this design into the overall building design. Bracing indicated is to prevent buckling of individual truss web and/or chord members only. Additional temporary and permanent bracing is always required for stability and to prevent collapse with possible personal injury and property damage. For general guidance regarding the fabrication, storage, delivery, erection and bracing of trusses and truss systems, see **ANSI/TPI1 Quality Criteria, DSB-89 and BCSI Building Component Safety Information** available from Truss Plate Institute, 218 N. Lee Street, Suite 312, Alexandria, VA 22314.



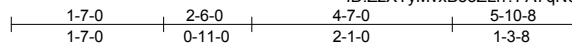
818 Soundside Road
 Edenton, NC 27932

Job J0918-4435	Truss J06P	Truss Type JACK-OPEN	Qty 1	Ply 1	Jason Price / Campbell Pointe Bldg. 26	E12370856
-------------------	---------------	-------------------------	----------	----------	--	-----------

Comtech, Inc., Fayetteville, NC 28309

8.130 s Mar 11 2018 MiTek Industries, Inc. Wed Oct 31 12:58:19 2018 Page 1

ID:ZzXTyMvx855ZLn?FA7qN0rzLZck-i54PLK61W25409XT5?IzQyEp40xL88svMiw?UyNuD2



4x4 =

Scale: 1/2"=1'

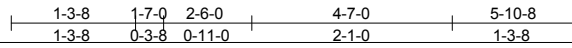
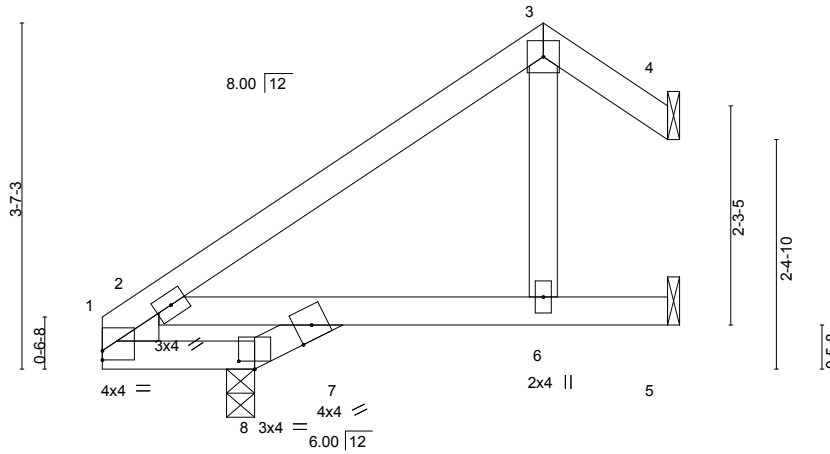


Plate Offsets (X,Y)-- [1:0-0-0,0-1-2], [8:0-2-0,0-1-0]

LOADING (psf)	SPACING-	CSL	DEFL.	in (loc)	l/defl	L/d	PLATES	GRIP
TCLL 20.0	Plate Grip DOL 1.15	TC 0.15	Vert(LL) -0.01	6	>999	360	MT20	244/190
TCDL 10.0	Lumber DOL 1.15	BC 0.23	Vert(TL) -0.03	6-7	>999	240		
BCLL 0.0 *	Rep Stress Incr YES	WB 0.03	Horz(TL) 0.05	4	n/a	n/a		
BCDL 10.0	Code IRC2009/TPI2007	Matrix-S	Wind(LL) 0.02	6-7	>999	240		
							Weight: 27 lb	FT = 20%

LUMBER-
 TOP CHORD 2x4 SP No.1
 BOT CHORD 2x4 SP No.1
 WEBS 2x4 SP No.3
 WEDGE
 Left: 2x4 SP No.3

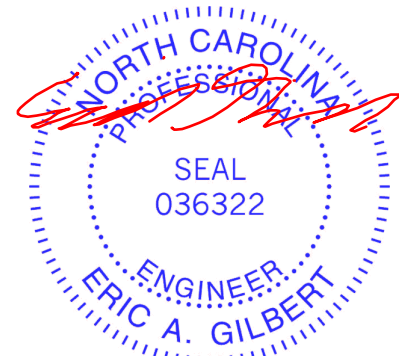
BRACING-
 TOP CHORD Structural wood sheathing directly applied or 5-10-8 oc purlins.
 BOT CHORD Rigid ceiling directly applied or 6-0-0 oc bracing.

REACTIONS. (lb/size) 4=39/Mechanical, 8=320/0-3-8, 5=107/Mechanical
 Max Horz 8=89(LC 6)
 Max Uplift 4=-15(LC 7), 8=-56(LC 6), 5=-23(LC 6)
 Max Grav 4=48(LC 11), 8=320(LC 1), 5=107(LC 1)

FORCES. (lb) - Max. Comp./Max. Ten. - All forces 250 (lb) or less except when shown.

NOTES-

- Unbalanced roof live loads have been considered for this design.
- Wind: ASCE 7-05; 100mph; TCDL=6.0psf; BCDL=5.0psf; h=15ft; Cat. II; Exp C; enclosed; MWFRS (low-rise) and C-C Exterior(2) zone; cantilever left exposed ;C-C for members and forces & MWFRS for reactions shown; Lumber DOL=1.60 plate grip DOL=1.60
- * This truss has been designed for a live load of 20.0psf on the bottom chord in all areas with a clearance greater than 6-0-0 between the bottom chord and any other members.
- Refer to girder(s) for truss to truss connections.
- Provide mechanical connection (by others) of truss to bearing plate capable of withstanding 100 lb uplift at joint(s) 4, 8, 5.



October 31, 2018

WARNING - Verify design parameters and READ NOTES ON THIS AND INCLUDED MITEK REFERENCE PAGE MII-7473 rev. 10/03/2015 BEFORE USE.

Design valid for use only with MiTek® connectors. This design is based only upon parameters shown, and is for an individual building component, not a truss system. Before use, the building designer must verify the applicability of design parameters and properly incorporate this design into the overall building design. Bracing indicated is to prevent buckling of individual truss web and/or chord members only. Additional temporary and permanent bracing is always required for stability and to prevent collapse with possible personal injury and property damage. For general guidance regarding the fabrication, storage, delivery, erection and bracing of trusses and truss systems, see **ANSI/TPI1 Quality Criteria, DSB-89 and BCSI Building Component Safety Information** available from Truss Plate Institute, 218 N. Lee Street, Suite 312, Alexandria, VA 22314.



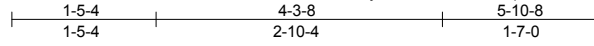
818 Soundside Road
 Edenton, NC 27932

Job J0918-4435	Truss M01	Truss Type COMMON	Qty 3	Ply 1	Jason Price / Campbell Pointe Bldg. 26	E12370857
-------------------	--------------	----------------------	----------	----------	--	-----------

Comtech, Inc., Fayetteville, NC 28309

8.130 s Mar 11 2018 MiTek Industries, Inc. Wed Oct 31 12:58:21 2018 Page 1

ID:ZzXTyMvxB55ZLn?FA7qN0rzLZck-eUBAm08H2gLnFThrCQnRVNK9fqwc1y9MgB03NyNuD0



4x4 =

Scale = 1:23.0

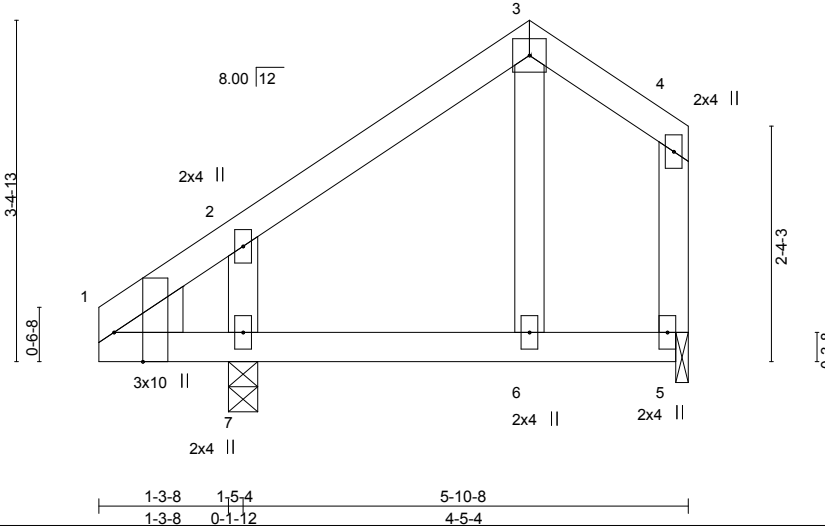


Plate Offsets (X,Y)-- [1:0-0-10,0-0-14], [1:0-1-3,0-5-5], [1:0-3-8,Edge]

LOADING (psf)	SPACING-	CSI.	DEFL.	in (loc)	l/defl	L/d	PLATES	GRIP
TCLL 20.0	Plate Grip DOL 1.15	TC 0.15	Vert(LL) -0.01	6	>999	360	MT20	244/190
TCDL 10.0	Lumber DOL 1.15	BC 0.15	Vert(TL) -0.03	6-7	>999	240		
BCLL 0.0 *	Rep Stress Incr YES	WB 0.05	Horz(TL) 0.00	5	n/a	n/a		
BCDL 10.0	Code IRC2009/TPI2007	Matrix-S	Wind(LL) 0.01	6	>999	240	Weight: 30 lb	FT = 20%

LUMBER-

TOP CHORD 2x4 SP No.1
 BOT CHORD 2x4 SP No.1
 WEBS 2x4 SP No.3
 WEDGE
 Left: 2x6 SP No.1

BRACING-

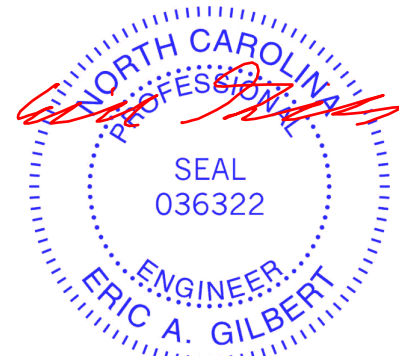
TOP CHORD Structural wood sheathing directly applied or 5-10-8 oc purlins, except end verticals.
 BOT CHORD Rigid ceiling directly applied or 10-0-0 oc bracing.

REACTIONS. (lb/size) 7=306/0-3-8, 5=152/0-1-8
 Max Horz 7=83(LC 5)
 Max Uplift 7=-54(LC 6), 5=-23(LC 6)

FORCES. (lb) - Max. Comp./Max. Ten. - All forces 250 (lb) or less except when shown.

NOTES-

- Unbalanced roof live loads have been considered for this design.
- Wind: ASCE 7-05; 100mph; TCDL=6.0psf; BCDL=5.0psf; h=15ft; Cat. II; Exp C; enclosed; MWFRS (low-rise) and C-C Exterior(2) zone; cantilever left exposed ;C-C for members and forces & MWFRS for reactions shown; Lumber DOL=1.60 plate grip DOL=1.60
- This truss has been designed for a 10.0 psf bottom chord live load nonconcurrent with any other live loads.
- * This truss has been designed for a live load of 20.0psf on the bottom chord in all areas with a clearance greater than 6-0-0 between the bottom chord and any other members.
- Bearing at joint(s) 5 considers parallel to grain value using ANSI/TPI 1 angle to grain formula. Building designer should verify capacity of bearing surface.
- Provide mechanical connection (by others) of truss to bearing plate at joint(s) 5.
- Provide mechanical connection (by others) of truss to bearing plate capable of withstanding 100 lb uplift at joint(s) 7, 5.



October 31, 2018

WARNING - Verify design parameters and READ NOTES ON THIS AND INCLUDED MITEK REFERENCE PAGE MII-7473 rev. 10/03/2015 BEFORE USE.

Design valid for use only with MiTek® connectors. This design is based only upon parameters shown, and is for an individual building component, not a truss system. Before use, the building designer must verify the applicability of design parameters and properly incorporate this design into the overall building design. Bracing indicated is to prevent buckling of individual truss web and/or chord members only. Additional temporary and permanent bracing is always required for stability and to prevent collapse with possible personal injury and property damage. For general guidance regarding the fabrication, storage, delivery, erection and bracing of trusses and truss systems, see **ANSI/TPI1 Quality Criteria, DSB-89 and BCSI Building Component Safety Information** available from Truss Plate Institute, 218 N. Lee Street, Suite 312, Alexandria, VA 22314.



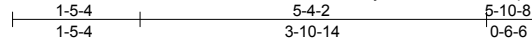
818 Soundside Road
 Edenton, NC 27932

Job J0918-4435	Truss M02	Truss Type HALF HIP	Qty 1	Ply 1	Jason Price / Campbell Pointe Bldg. 26	E12370858
-------------------	--------------	------------------------	----------	----------	--	-----------

Comtech, Inc., Fayetteville, NC 28309

8.130 s Mar 11 2018 MiTek Industries, Inc. Wed Oct 31 12:58:22 2018 Page 1

ID:ZzXTyMvxB55ZLn?FA7qN0rzLZck-6glYzM9vpzTetdG2m8lg1ask7D_1LU5lbKwacpyNuD?



Scale = 1:26.0

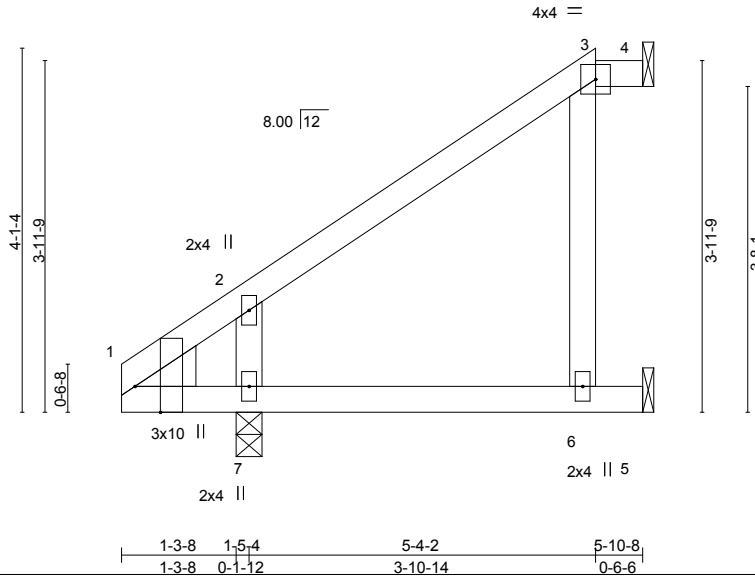


Plate Offsets (X,Y)-- [1:0-0-10,0-0-14], [1:0-1-3,0-5-5], [1:0-3-8,Edge]

LOADING (psf)	SPACING-	CSL	DEFL.	in (loc)	l/defl	L/d	PLATES	GRIP
TCLL 20.0	Plate Grip DOL 1.15	TC 0.17	Vert(LL) -0.01	6-7	>999	360	MT20	244/190
TCDL 10.0	Lumber DOL 1.15	BC 0.16	Vert(TL) -0.04	6-7	>999	240		
BCLL 0.0 *	Rep Stress Incr YES	WB 0.06	Horz(TL) -0.05	4	n/a	n/a		
BCDL 10.0	Code IRC2009/TP12007	Matrix-P	Wind(LL) 0.03	6-7	>999	240	Weight: 28 lb	FT = 20%

LUMBER-
 TOP CHORD 2x4 SP No.1
 BOT CHORD 2x4 SP No.1
 WEBS 2x4 SP No.3
 WEDGE
 Left: 2x6 SP No.1

BRACING-
 TOP CHORD Structural wood sheathing directly applied or 5-10-8 oc purlins.
 BOT CHORD Rigid ceiling directly applied or 6-0-0 oc bracing.

REACTIONS. (lb/size) 4=14/Mechanical, 5=142/Mechanical, 7=309/0-3-8
 Max Horz 7=119(LC 6)
 Max Uplift 4=-6(LC 4), 5=-57(LC 6), 7=-31(LC 6)

FORCES. (lb) - Max. Comp./Max. Ten. - All forces 250 (lb) or less except when shown.

NOTES-

- Unbalanced roof live loads have been considered for this design.
- Wind: ASCE 7-05; 100mph; TCDL=6.0psf; BCDL=5.0psf; h=15ft; Cat. II; Exp C; enclosed; MWFRS (low-rise) and C-C Exterior(2) zone; cantilever left exposed ;C-C for members and forces & MWFRS for reactions shown; Lumber DOL=1.60 plate grip DOL=1.60
- Provide adequate drainage to prevent water ponding.
- This truss has been designed for a 10.0 psf bottom chord live load nonconcurrent with any other live loads.
- * This truss has been designed for a live load of 20.0psf on the bottom chord in all areas with a clearance greater than 6-0-0 between the bottom chord and any other members.
- Refer to girder(s) for truss to truss connections.
- Provide mechanical connection (by others) of truss to bearing plate capable of withstanding 100 lb uplift at joint(s) 4, 5, 7.



October 31, 2018

WARNING - Verify design parameters and READ NOTES ON THIS AND INCLUDED MITEK REFERENCE PAGE MII-7473 rev. 10/03/2015 BEFORE USE.

Design valid for use only with MiTek® connectors. This design is based only upon parameters shown, and is for an individual building component, not a truss system. Before use, the building designer must verify the applicability of design parameters and properly incorporate this design into the overall building design. Bracing indicated is to prevent buckling of individual truss web and/or chord members only. Additional temporary and permanent bracing is always required for stability and to prevent collapse with possible personal injury and property damage. For general guidance regarding the fabrication, storage, delivery, erection and bracing of trusses and truss systems, see ANSI/TP1 Quality Criteria, DSB-89 and BCSI Building Component Safety Information available from Truss Plate Institute, 218 N. Lee Street, Suite 312, Alexandria, VA 22314.

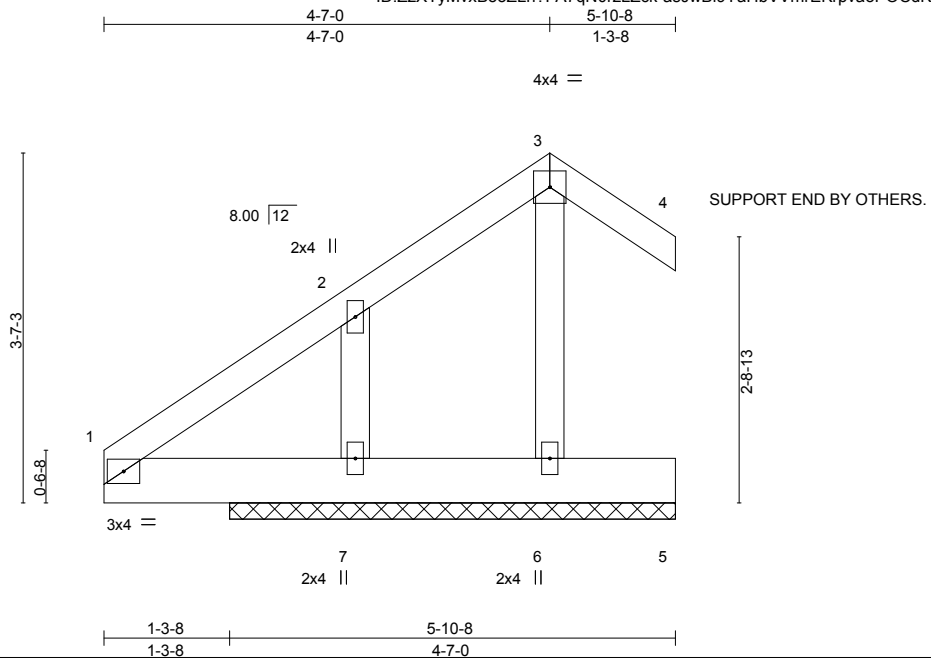


818 Soundside Road
 Edenton, NC 27932

Job	Truss	Truss Type	Qty	Ply	Jason Price / Campbell Pointe Bldg. 26	E12370859
J0918-4435	M03	GABLE	1	1	Job Reference (optional)	

Comtech, Inc., Fayetteville, NC 28309

8.130 s Mar 11 2018 MiTek Industries, Inc. Wed Oct 31 12:58:23 2018 Page 1
ID:ZzXTyMvxB55ZLn?FA7qN0rzLZck-asJwBi9YaHbVvMrEKrpvaOPOCdKO4wWSqzg78FyNuD_



Scale = 1:23.7

LOADING (psf)	SPACING-	CSL.	DEFL.	in (loc)	l/defl	L/d	PLATES	GRIP
TCLL 20.0	Plate Grip DOL 1.15	TC 0.59	Vert(LL) -0.11	3-4	n/r	120	MT20	244/190
TCDL 10.0	Lumber DOL 1.15	BC 0.15	Vert(TL) -0.20	3-4	n/r	120		
BCLL 0.0 *	Rep Stress Incr YES	WB 0.11	Horz(TL) 0.00		n/a	n/a		
BCDL 10.0	Code IRC2009/TPI2007	Matrix-S					Weight: 31 lb	FT = 20%

LUMBER-	BRACING-
TOP CHORD 2x4 SP No.1	TOP CHORD Structural wood sheathing directly applied or 5-10-8 oc purlins.
BOT CHORD 2x6 SP No.1	BOT CHORD Rigid ceiling directly applied or 10-0-0 oc bracing.
OTHERS 2x4 SP No.3	

REACTIONS. (lb/size) 6=83/4-7-0, 7=387/4-7-0
 Max Horz 7=69(LC 6)
 Max Uplift 6=-58(LC 6), 7=-10(LC 6)
 Max Grav 6=110(LC 11), 7=387(LC 1)

FORCES. (lb) - Max. Comp./Max. Ten. - All forces 250 (lb) or less except when shown.
 WEBS 2-7=-423/369

- NOTES-**
- 1) Unbalanced roof live loads have been considered for this design.
 - 2) Wind: ASCE 7-05; 100mph; TCDL=6.0psf; BCDL=5.0psf; h=15ft; Cat. II; Exp C; enclosed; MWFRS (low-rise) and C-C Exterior(2) zone; cantilever left exposed ;C-C for members and forces & MWFRS for reactions shown; Lumber DOL=1.60 plate grip DOL=1.60
 - 3) Truss designed for wind loads in the plane of the truss only. For studs exposed to wind (normal to the face), see Standard Industry Gable End Details as applicable, or consult qualified building designer as per ANSI/TPI 1.
 - 4) Gable studs spaced at 2-0-0 oc.
 - 5) This truss has been designed for a 10.0 psf bottom chord live load nonconcurrent with any other live loads.
 - 6) * This truss has been designed for a live load of 20.0psf on the bottom chord in all areas with a clearance greater than 6-0-0 between the bottom chord and any other members.
 - 7) Provide mechanical connection (by others) of truss to bearing plate capable of withstanding 100 lb uplift at joint(s) 6, 7.
 - 8) Non Standard bearing condition. Review required.

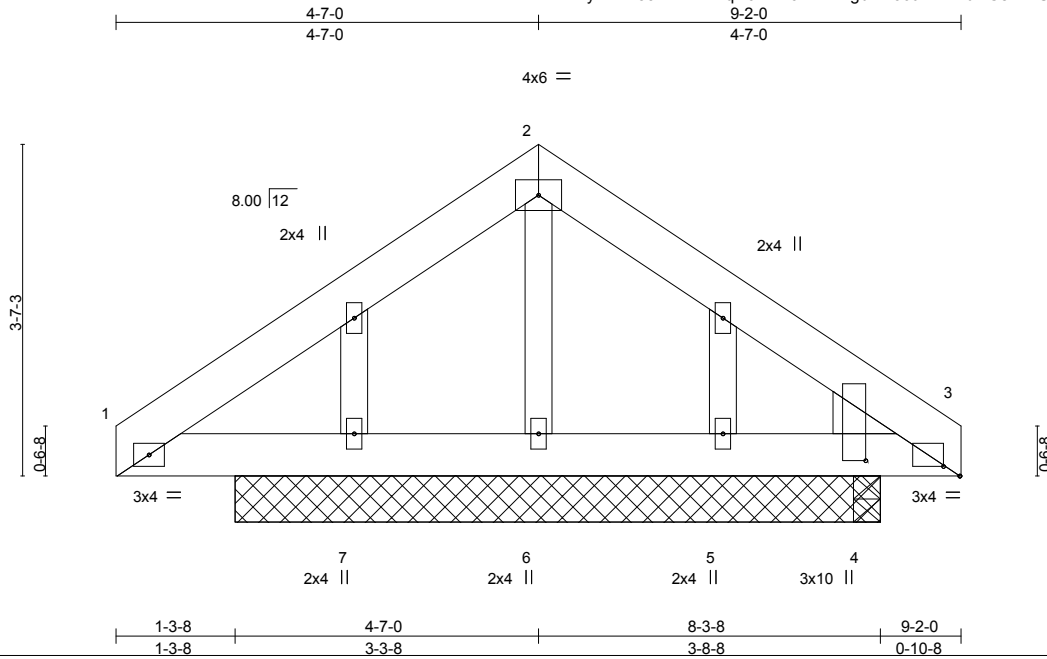


October 31,2018

Job J0918-4435	Truss P01	Truss Type COMMON STRUCTURAL GA	Qty 1	Ply 1	Jason Price / Campbell Pointe Bldg. 26	E12370860
-------------------	--------------	------------------------------------	----------	----------	--	-----------

Comtech, Inc., Fayetteville, NC 28309

8.130 s Mar 11 2018 MiTek Industries, Inc. Wed Oct 31 12:58:25 2018 Page 1
ID:ZzXTyMvxB55ZLn?FA7qN0rzLZck-WFRgbNB06urDk4?dRGsNfDUUsNR2HYqtlHH9EB8yNuCy



Scale = 1:25.0

Plate Offsets (X,Y)-- [3:0-2-2-0,1-4], [3:0-2-0,1-0-4]

LOADING (psf)	SPACING-	CSL	DEFL.	in (loc)	l/defl	L/d	PLATES	GRIP
TCLL 20.0	Plate Grip DOL 1.15	TC 0.10	Vert(LL) 0.00	7	>999	360	MT20	244/190
TCDL 10.0	Lumber DOL 1.15	BC 0.06	Vert(TL) 0.00	7	>999	240		
BCLL 0.0 *	Rep Stress Incr YES	WB 0.12	Horz(TL) -0.00	3	n/a	n/a		
BCDL 10.0	Code IRC2009/TP12007	Matrix-S	Wind(LL) -0.00	7	>999	240	Weight: 58 lb	FT = 20%

LUMBER-
 TOP CHORD 2x6 SP No.1
 BOT CHORD 2x6 SP No.1
 WEBS 2x4 SP No.3
 OTHERS 2x4 SP No.3
 WEDGE
 Right: 2x6 SP No.1

BRACING-
 TOP CHORD Structural wood sheathing directly applied or 9-2-0 oc purlins.
 BOT CHORD Rigid ceiling directly applied or 6-0-0 oc bracing.

REACTIONS. All bearings 7-0-0 except (it=length) 4=0-3-8.
 (lb) - Max Horz 7=-108(LC 4)
 Max Uplift All uplift 100 lb or less at joint(s) 3, 7, 4 except 6=-134(LC 6)
 Max Grav All reactions 250 lb or less at joint(s) 3, 7, 5, 4 except 6=465(LC 1)

FORCES. (lb) - Max. Comp./Max. Ten. - All forces 250 (lb) or less except when shown.
 TOP CHORD 1-2=-73/268, 2-3=-71/262
 WEBS 2-6=-486/230

- NOTES-**
- Unbalanced roof live loads have been considered for this design.
 - Wind: ASCE 7-05; 100mph; TCDL=6.0psf; BCDL=5.0psf; h=15ft; Cat. II; Exp C; enclosed; MWFRS (low-rise) gable end zone and C-C Exterior(2) zone; cantilever left and right exposed ;C-C for members and forces & MWFRS for reactions shown; Lumber DOL=1.60 plate grip DOL=1.60
 - Truss designed for wind loads in the plane of the truss only. For studs exposed to wind (normal to the face), see Standard Industry Gable End Details as applicable, or consult qualified building designer as per ANSI/TP1 1.
 - Gable studs spaced at 2-0-0 oc.
 - This truss has been designed for a 10.0 psf bottom chord live load nonconcurrent with any other live loads.
 - * This truss has been designed for a live load of 20.0psf on the bottom chord in all areas with a clearance greater than 6-0-0 between the bottom chord and any other members.
 - Provide mechanical connection (by others) of truss to bearing plate capable of withstanding 100 lb uplift at joint(s) 3, 7, 4 except (it=lb) 6=134.



October 31,2018

WARNING - Verify design parameters and READ NOTES ON THIS AND INCLUDED MITEK REFERENCE PAGE MII-7473 rev. 10/03/2015 BEFORE USE.

Design valid for use only with MiTek® connectors. This design is based only upon parameters shown, and is for an individual building component, not a truss system. Before use, the building designer must verify the applicability of design parameters and properly incorporate this design into the overall building design. Bracing indicated is to prevent buckling of individual truss web and/or chord members only. Additional temporary and permanent bracing is always required for stability and to prevent collapse with possible personal injury and property damage. For general guidance regarding the fabrication, storage, delivery, erection and bracing of trusses and truss systems, see **ANSI/TP1 Quality Criteria, DSB-89 and BCSI Building Component Safety Information** available from Truss Plate Institute, 218 N. Lee Street, Suite 312, Alexandria, VA 22314.

ENGINEERING BY
TRENCO
 A MiTek Affiliate

818 Soundside Road
 Edenton, NC 27932

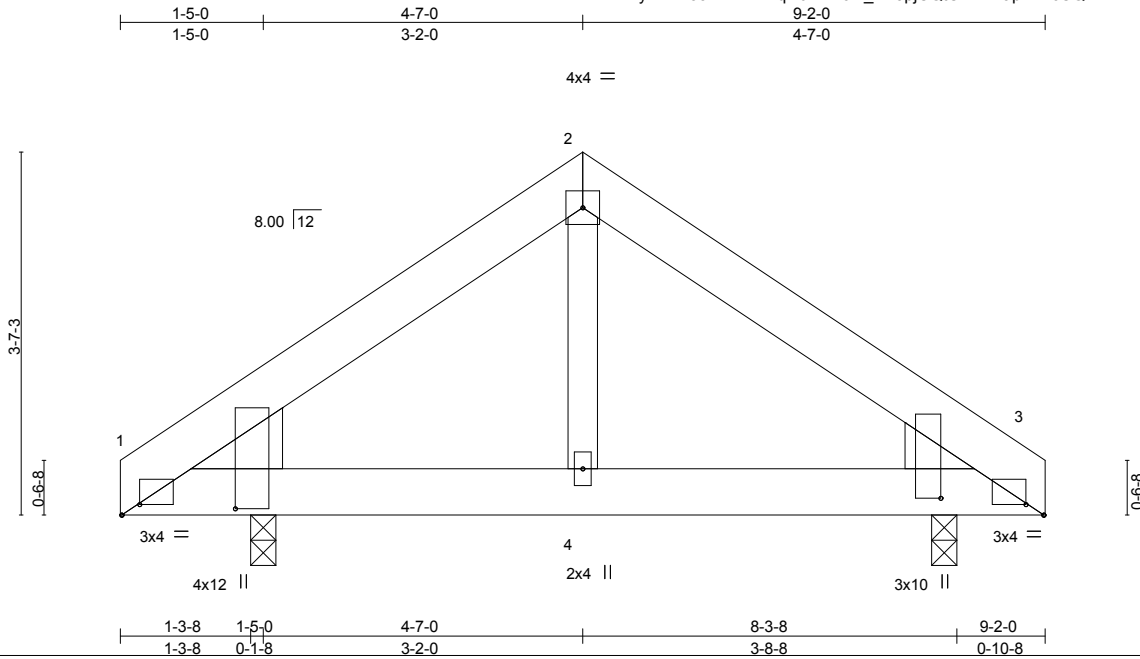
Job J0918-4435	Truss P02	Truss Type COMMON	Qty 2	Ply 1	Jason Price / Campbell Pointe Bldg. 26	E12370861
-------------------	--------------	----------------------	----------	----------	--	-----------

Comtech, Inc., Fayetteville, NC 28309

8.130 s Mar 11 2018 MiTek Industries, Inc. Wed Oct 31 12:58:26 2018 Page 1

ID:ZzXTyMvxB55ZLn?FA7qN0rzLZck-_R?3pjCQtCz4MEap?zNcCQ11KrMhHHiuWxunkayNuCx

Job Reference (optional)



Scale = 1:22.8

Plate Offsets (X,Y)-- [1:0-2-2,0-1-4], [1:0-0-12,1-1-8], [3:0-2-2,0-1-4], [3:0-2-0,1-0-4]

LOADING (psf)	SPACING-	CSI.	DEFL.	in (loc)	l/defl	L/d	PLATES	GRIP
TCLL 20.0	Plate Grip DOL 1.15	TC 0.09	Vert(LL) -0.00	3-4	>999	360	MT20	244/190
TCDL 10.0	Lumber DOL 1.15	BC 0.12	Vert(TL) -0.01	3-4	>999	240		
BCLL 0.0 *	Rep Stress Incr YES	WB 0.08	Horz(TL) 0.00	3	n/a	n/a		
BCDL 10.0	Code IRC2009/TPI2007	Matrix-S	Wind(LL) 0.00	4	>999	240		
							Weight: 57 lb	FT = 20%

LUMBER-

TOP CHORD 2x6 SP No.1
 BOT CHORD 2x6 SP No.1
 WEBS 2x4 SP No.3
 WEDGE
 Left: 2x8 SP No.1, Right: 2x6 SP No.1

BRACING-

TOP CHORD Structural wood sheathing directly applied or 6-0-0 oc purlins.
 BOT CHORD Rigid ceiling directly applied or 10-0-0 oc bracing.

REACTIONS.

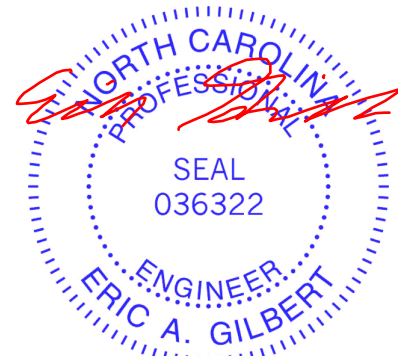
(lb/size) 1=356/0-3-0, 3=356/0-3-0
 Max Horz 1=86(LC 5)
 Max Uplift 1=-26(LC 6), 3=-26(LC 7)

FORCES. (lb) - Max. Comp./Max. Ten. - All forces 250 (lb) or less except when shown.

TOP CHORD 1-2=-429/136, 2-3=-429/136
 BOT CHORD 1-4=-29/294, 3-4=-29/294

NOTES-

- 1) Unbalanced roof live loads have been considered for this design.
- 2) Wind: ASCE 7-05; 100mph; TCDL=6.0psf; BCDL=5.0psf; h=15ft; Cat. II; Exp C; enclosed; MWFRS (low-rise) and C-C Exterior(2) zone; cantilever left and right exposed ;C-C for members and forces & MWFRS for reactions shown; Lumber DOL=1.60 plate grip DOL=1.60
- 3) This truss has been designed for a 10.0 psf bottom chord live load nonconcurrent with any other live loads.
- 4) * This truss has been designed for a live load of 20.0psf on the bottom chord in all areas with a clearance greater than 6-0-0 between the bottom chord and any other members.
- 5) Provide mechanical connection (by others) of truss to bearing plate capable of withstanding 100 lb uplift at joint(s) 1, 3.



October 31, 2018

WARNING - Verify design parameters and READ NOTES ON THIS AND INCLUDED MITEK REFERENCE PAGE MII-7473 rev. 10/03/2015 BEFORE USE.

Design valid for use only with MiTek® connectors. This design is based only upon parameters shown, and is for an individual building component, not a truss system. Before use, the building designer must verify the applicability of design parameters and properly incorporate this design into the overall building design. Bracing indicated is to prevent buckling of individual truss web and/or chord members only. Additional temporary and permanent bracing is always required for stability and to prevent collapse with possible personal injury and property damage. For general guidance regarding the fabrication, storage, delivery, erection and bracing of trusses and truss systems, see ANSI/TPI1 Quality Criteria, DSB-89 and BCSI Building Component Safety Information available from Truss Plate Institute, 218 N. Lee Street, Suite 312, Alexandria, VA 22314.



818 Soundside Road
 Edenton, NC 27932

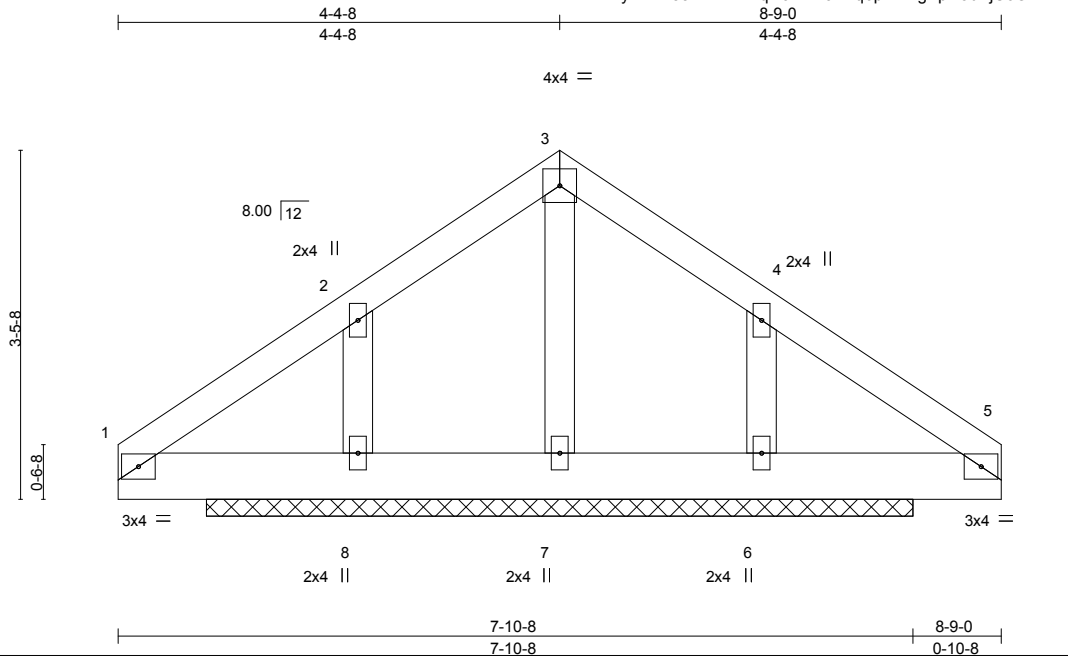
Job J0918-4435	Truss P03	Truss Type COMMON SUPPORTED GAB	Qty 5	Ply 1	Jason Price / Campbell Pointe Bldg. 26	E12370862
-------------------	--------------	------------------------------------	----------	----------	--	-----------

Comtech, Inc., Fayetteville, NC 28309

8.130 s Mar 11 2018 MiTek Industries, Inc. Wed Oct 31 12:58:28 2018 Page 1

ID:ZzXTyMvxB55ZLn?FA7qN0rzLZck-xq6pEPDgPpDobYjC6OP4Hr6Nte3DICeBzFNuoTyNuCu

Job Reference (optional)



LOADING (psf)	SPACING-	CSI.	DEFL.	PLATES	GRIP
TCLL 20.0	2-0-0	TC 0.08	in (loc) l/defl L/d	MT20	244/190
TCDL 10.0	Plate Grip DOL 1.15	BC 0.05	Vert(LL) n/a - n/a 999		
BCLL 0.0 *	Lumber DOL 1.15	WB 0.05	Vert(TL) n/a - n/a 999		
BCDL 10.0	Rep Stress Incr YES	Matrix-S	Horz(TL) -0.00 6 n/a n/a		
	Code IRC2009/TPI2007			Weight: 45 lb	FT = 20%

LUMBER-
 TOP CHORD 2x4 SP No.1
 BOT CHORD 2x6 SP No.1
 OTHERS 2x4 SP No.3

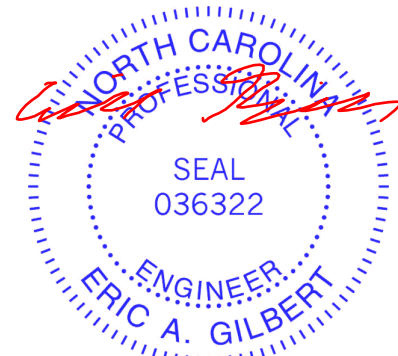
BRACING-
 TOP CHORD Structural wood sheathing directly applied or 8-9-0 oc purlins.
 BOT CHORD Rigid ceiling directly applied or 6-0-0 oc bracing.

REACTIONS. (lb/size) 7=210/7-0-0, 8=245/7-0-0, 6=245/7-0-0
 Max Horz 8=-106(LC 4)
 Max Uplift 8=-113(LC 6), 6=-113(LC 7)
 Max Grav 7=210(LC 1), 8=279(LC 10), 6=279(LC 11)

FORCES. (lb) - Max. Comp./Max. Ten. - All forces 250 (lb) or less except when shown.

NOTES-

- Unbalanced roof live loads have been considered for this design.
- Wind: ASCE 7-05; 100mph; TCDL=6.0psf; BCDL=5.0psf; h=15ft; Cat. II; Exp C; enclosed; MWFRS (low-rise) gable end zone and C-C Corner(3) zone; cantilever left and right exposed ;C-C for members and forces & MWFRS for reactions shown; Lumber DOL=1.60 plate grip DOL=1.60
- Truss designed for wind loads in the plane of the truss only. For studs exposed to wind (normal to the face), see Standard Industry Gable End Details as applicable, or consult qualified building designer as per ANSI/TPI 1.
- Gable studs spaced at 2-0-0 oc.
- This truss has been designed for a 10.0 psf bottom chord live load nonconcurrent with any other live loads.
- * This truss has been designed for a live load of 20.0psf on the bottom chord in all areas with a clearance greater than 6-0-0 between the bottom chord and any other members.
- Provide mechanical connection (by others) of truss to bearing plate capable of withstanding 100 lb uplift at joint(s) except (jt=lb) 8=113, 6=113.
- Non Standard bearing condition. Review required.



October 31, 2018

WARNING - Verify design parameters and READ NOTES ON THIS AND INCLUDED MITEK REFERENCE PAGE MII-7473 rev. 10/03/2015 BEFORE USE.

Design valid for use only with MiTek® connectors. This design is based only upon parameters shown, and is for an individual building component, not a truss system. Before use, the building designer must verify the applicability of design parameters and properly incorporate this design into the overall building design. Bracing indicated is to prevent buckling of individual truss web and/or chord members only. Additional temporary and permanent bracing is always required for stability and to prevent collapse with possible personal injury and property damage. For general guidance regarding the fabrication, storage, delivery, erection and bracing of trusses and truss systems, see ANSI/TPI1 Quality Criteria, DSB-89 and BCSI Building Component Safety Information available from Truss Plate Institute, 218 N. Lee Street, Suite 312, Alexandria, VA 22314.



818 Soundside Road
 Edenton, NC 27932

Job J0918-4435	Truss P04	Truss Type COMMON	Qty 10	Ply 1	Jason Price / Campbell Pointe Bldg. 26	E12370863
-------------------	--------------	----------------------	-----------	----------	--	-----------

Comtech, Inc., Fayetteville, NC 28309

8.130 s Mar 11 2018 MiTek Industries, Inc. Wed Oct 31 12:58:29 2018 Page 1
ID:ZzXTyMvxB55ZLn?FA7qN0rzLZck-P0gBRIEIA7LfDhIOg6wJq3fYw2NCUfEKcv7RKvyNuCu

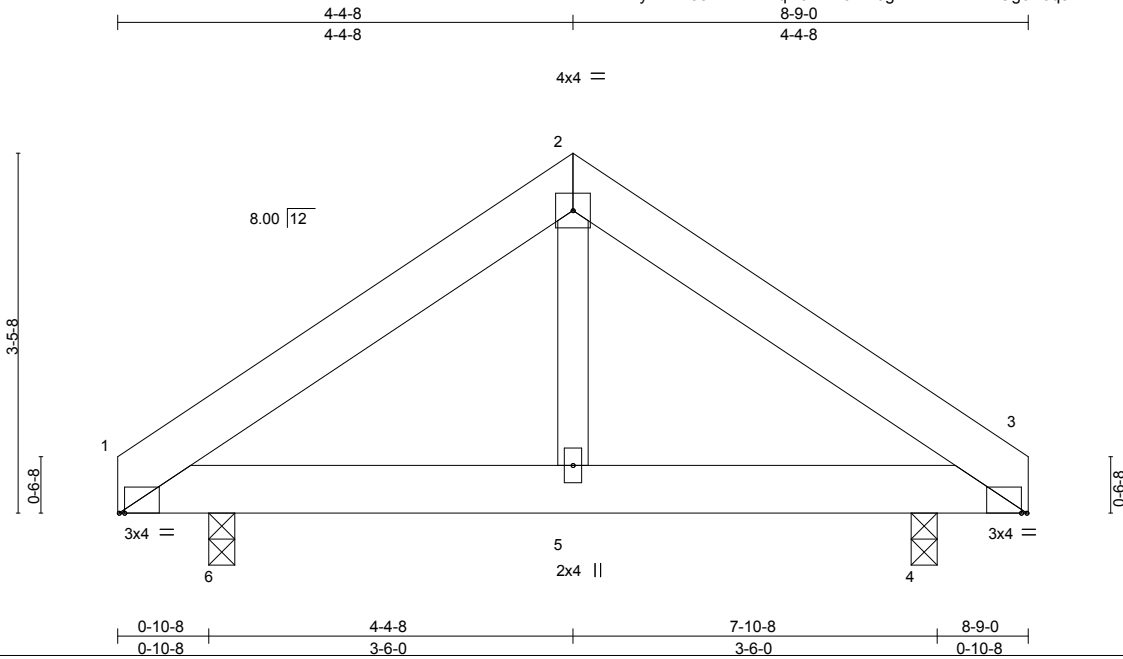


PLATE OFFSETS (X,Y)--	[1:0-0-10,0-0-0], [3:0-0-10,0-0-0]								
LOADING (psf)	SPACING-	CSI.	DEFL.	in	(loc)	l/defl	L/d	PLATES	GRIP
TCLL 20.0	2-0-0	TC 0.07	Vert(LL)	-0.00	5	>999	360	MT20	244/190
TCDL 10.0	Plate Grip DOL 1.15	BC 0.13	Vert(TL)	-0.01	5	>999	240		
BCLL 0.0 *	Lumber DOL 1.15	WB 0.03	Horz(TL)	0.00	4	n/a	n/a		
BCDL 10.0	Rep Stress Incr YES	Matrix-S	Wind(LL)	0.00	5	>999	240	Weight: 50 lb	FT = 20%
	Code IRC2009/TPI2007								

LUMBER-
 TOP CHORD 2x6 SP No.1
 BOT CHORD 2x6 SP No.1
 WEBS 2x4 SP No.3

BRACING-
 TOP CHORD Structural wood sheathing directly applied or 6-0-0 oc purlins.
 BOT CHORD Rigid ceiling directly applied or 10-0-0 oc bracing.

REACTIONS. (lb/size) 6=349/0-3-0, 4=349/0-3-0
 Max Horz 6=-82(LC 4)
 Max Uplift 6=-54(LC 6), 4=-54(LC 7)

FORCES. (lb) - Max. Comp./Max. Ten. - All forces 250 (lb) or less except when shown.

- NOTES-**
- Unbalanced roof live loads have been considered for this design.
 - Wind: ASCE 7-05; 100mph; TCDL=6.0psf; BCDL=5.0psf; h=15ft; Cat. II; Exp C; enclosed; MWFRS (low-rise) and C-C Exterior(2) zone; cantilever left and right exposed ;C-C for members and forces & MWFRS for reactions shown; Lumber DOL=1.60 plate grip DOL=1.60
 - This truss has been designed for a 10.0 psf bottom chord live load nonconcurrent with any other live loads.
 - * This truss has been designed for a live load of 20.0psf on the bottom chord in all areas with a clearance greater than 6-0-0 between the bottom chord and any other members.
 - Provide mechanical connection (by others) of truss to bearing plate capable of withstanding 100 lb uplift at joint(s) 6, 4.

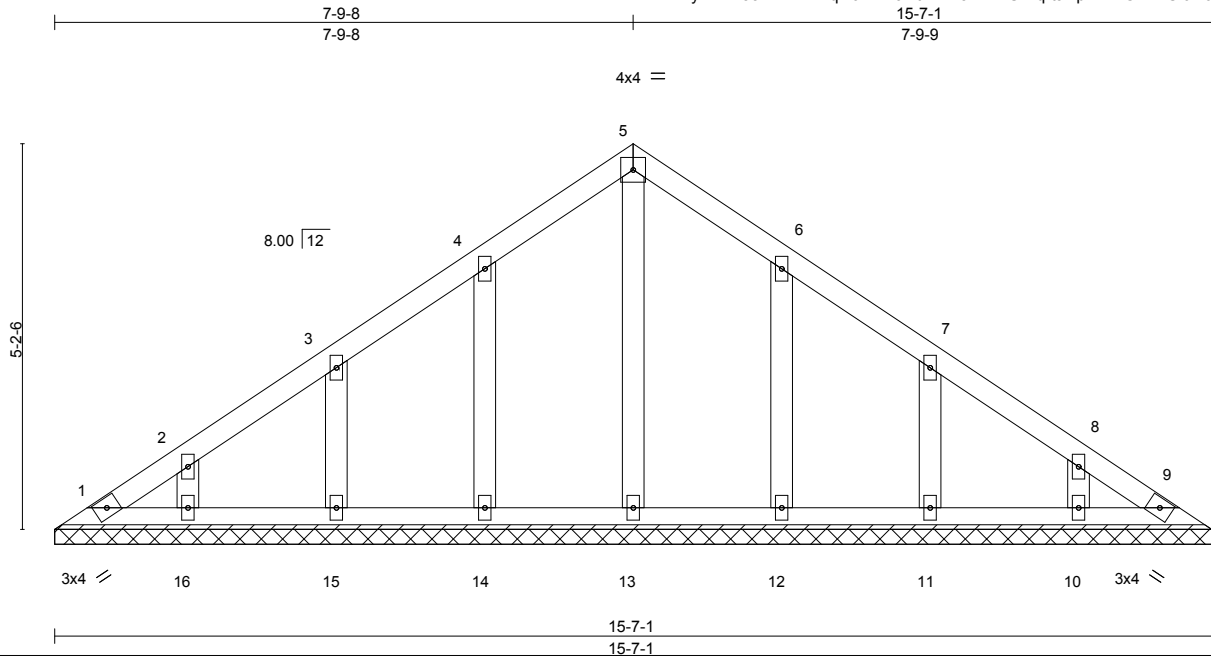


October 31, 2018

Job J0918-4435	Truss V01	Truss Type GABLE	Qty 2	Ply 1	Jason Price / Campbell Pointe Bldg. 26	E12370864
-------------------	--------------	---------------------	----------	----------	--	-----------

Comtech, Inc., Fayetteville, NC 28309

8.130 s Mar 11 2018 MiTek Industries, Inc. Wed Oct 31 12:58:30 2018 Page 1
ID:ZzXTyMvxB55ZLn?FA7qN0rzLZck-tDEZf5FxxRUWqrtaEPryMGBkASI6D6JURZs?tLyNuCt



Scale = 1:31.0

LOADING (psf)	SPACING-	CSI.	DEFL.	in (loc)	l/defl	L/d	PLATES	GRIP
TCLL 20.0	2-0-0	TC 0.03	Vert(LL)	n/a	-	n/a	MT20	244/190
TCDL 10.0	Plate Grip DOL 1.15	BC 0.02	Vert(TL)	n/a	-	n/a		
BCLL 0.0 *	Lumber DOL 1.15	WB 0.04	Horz(TL)	0.00	9	n/a		
BCDL 10.0	Rep Stress Incr YES	Matrix-S					Weight: 74 lb	FT = 20%
	Code IRC2009/TPI2007							

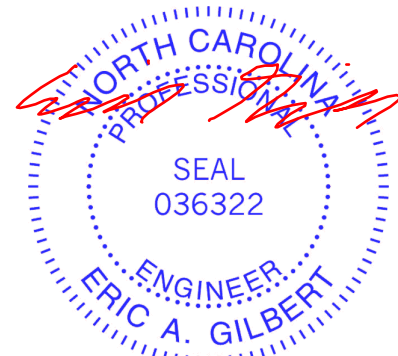
LUMBER-
TOP CHORD 2x4 SP No.1
BOT CHORD 2x4 SP No.1
OTHERS 2x4 SP No.3

BRACING-
TOP CHORD Structural wood sheathing directly applied or 6-0-0 oc purlins.
BOT CHORD Rigid ceiling directly applied or 10-0-0 oc bracing.

REACTIONS. All bearings 15-7-1.
(lb) - Max Horz 1=-170(LC 4)
Max Uplift All uplift 100 lb or less at joint(s) 1, 9, 14, 15, 16, 12, 11, 10
Max Grav All reactions 250 lb or less at joint(s) 1, 9, 13, 14, 15, 16, 12, 11, 10

FORCES. (lb) - Max. Comp./Max. Ten. - All forces 250 (lb) or less except when shown.

- NOTES-**
- Unbalanced roof live loads have been considered for this design.
 - Wind: ASCE 7-05; 100mph; TCDL=6.0psf; BCDL=5.0psf; h=15ft; Cat. II; Exp C; enclosed; MWFRS (low-rise) gable end zone and C-C Exterior(2) zone;C-C for members and forces & MWFRS for reactions shown; Lumber DOL=1.60 plate grip DOL=1.60
 - All plates are 2x4 MT20 unless otherwise indicated.
 - Gable requires continuous bottom chord bearing.
 - This truss has been designed for a 10.0 psf bottom chord live load nonconcurrent with any other live loads.
 - * This truss has been designed for a live load of 20.0psf on the bottom chord in all areas with a clearance greater than 6-0-0 between the bottom chord and any other members.
 - Provide mechanical connection (by others) of truss to bearing plate capable of withstanding 100 lb uplift at joint(s) 1, 9, 14, 15, 16, 12, 11, 10.



October 31, 2018

WARNING - Verify design parameters and READ NOTES ON THIS AND INCLUDED MITEK REFERENCE PAGE MII-7473 rev. 10/03/2015 BEFORE USE.

Design valid for use only with MiTek® connectors. This design is based only upon parameters shown, and is for an individual building component, not a truss system. Before use, the building designer must verify the applicability of design parameters and properly incorporate this design into the overall building design. Bracing indicated is to prevent buckling of individual truss web and/or chord members only. Additional temporary and permanent bracing is always required for stability and to prevent collapse with possible personal injury and property damage. For general guidance regarding the fabrication, storage, delivery, erection and bracing of trusses and truss systems, see **ANSI/TPI1 Quality Criteria, DSB-89 and BCSI Building Component Safety Information** available from Truss Plate Institute, 218 N. Lee Street, Suite 312, Alexandria, VA 22314.

ENGINEERING BY
TRENCO
A MiTek Affiliate

818 Soundside Road
Edenton, NC 27932

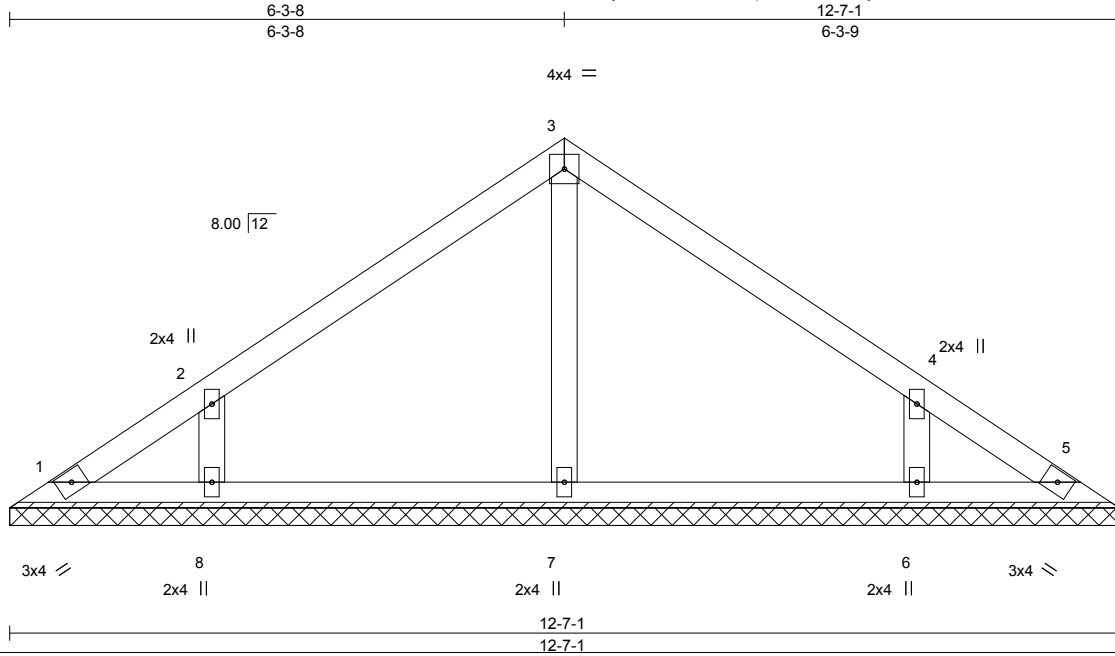
Job J0918-4435	Truss V02	Truss Type VALLEY	Qty 2	Ply 1	Jason Price / Campbell Pointe Bldg. 26	E12370865
-------------------	--------------	----------------------	----------	----------	--	-----------

Comtech, Inc., Fayetteville, NC 28309

8.130 s Mar 11 2018 MiTek Industries, Inc. Wed Oct 31 12:58:31 2018 Page 1

ID:ZzXTyMvxB55ZLn?FA7qN0rzLZck-LP0ysRGZikcNS?SmoXznvUkuSs4HyZHdfDcYPoyNuCs

Job Reference (optional)



Scale = 1:26.1

Plate Offsets (X,Y)-- [4:0-0-0,0-0-0]

LOADING (psf)	SPACING-	CSI.	DEFL.	in (loc)	l/defl	L/d	PLATES	GRIP
TCLL 20.0	Plate Grip DOL 1.15	TC 0.13	Vert(LL) n/a	-	n/a	999	MT20	244/190
TCDL 10.0	Lumber DOL 1.15	BC 0.09	Vert(TL) n/a	-	n/a	999		
BCLL 0.0 *	Rep Stress Incr YES	WB 0.06	Horz(TL) 0.00	5	n/a	n/a		
BCDL 10.0	Code IRC2009/TP12007	Matrix-S					Weight: 48 lb	FT = 20%

LUMBER-

TOP CHORD 2x4 SP No.1
 BOT CHORD 2x4 SP No.1
 OTHERS 2x4 SP No.3

BRACING-

TOP CHORD Structural wood sheathing directly applied or 6-0-0 oc purlins.
 BOT CHORD Rigid ceiling directly applied or 10-0-0 oc bracing.

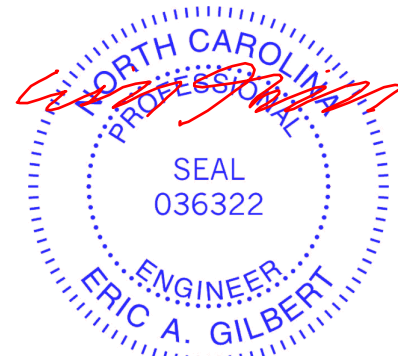
REACTIONS.

All bearings 12-7-1.
 (lb) - Max Horz 1=-108(LC 4)
 Max Uplift All uplift 100 lb or less at joint(s) 1, 5, 8, 6
 Max Grav All reactions 250 lb or less at joint(s) 1, 5 except 7=262(LC 1), 8=296(LC 10), 6=296(LC 11)

FORCES. (lb) - Max. Comp./Max. Ten. - All forces 250 (lb) or less except when shown.

NOTES-

- Unbalanced roof live loads have been considered for this design.
- Wind: ASCE 7-05; 100mph; TCDL=6.0psf; BCDL=5.0psf; h=15ft; Cat. II; Exp C; enclosed; MWFRS (low-rise) and C-C Exterior(2) zone; C-C for members and forces & MWFRS for reactions shown; Lumber DOL=1.60 plate grip DOL=1.60
- This truss has been designed for a 10.0 psf bottom chord live load nonconcurrent with any other live loads.
- * This truss has been designed for a live load of 20.0psf on the bottom chord in all areas with a clearance greater than 6-0-0 between the bottom chord and any other members.
- Provide mechanical connection (by others) of truss to bearing plate capable of withstanding 100 lb uplift at joint(s) 1, 5, 8, 6.
- Non Standard bearing condition. Review required.



October 31, 2018

WARNING - Verify design parameters and READ NOTES ON THIS AND INCLUDED MITEK REFERENCE PAGE MII-7473 rev. 10/03/2015 BEFORE USE.

Design valid for use only with MiTek® connectors. This design is based only upon parameters shown, and is for an individual building component, not a truss system. Before use, the building designer must verify the applicability of design parameters and properly incorporate this design into the overall building design. Bracing indicated is to prevent buckling of individual truss web and/or chord members only. Additional temporary and permanent bracing is always required for stability and to prevent collapse with possible personal injury and property damage. For general guidance regarding the fabrication, storage, delivery, erection and bracing of trusses and truss systems, see ANSI/TP1 Quality Criteria, DSB-89 and BCSI Building Component Safety Information available from Truss Plate Institute, 218 N. Lee Street, Suite 312, Alexandria, VA 22314.

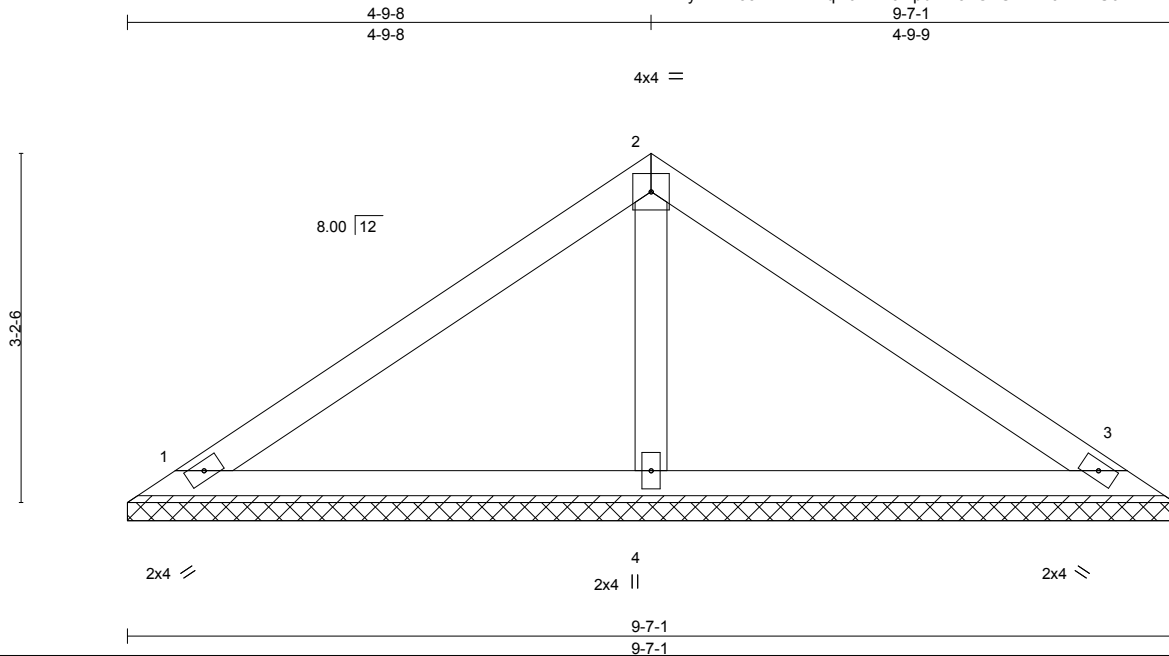


818 Soundside Road
 Edenton, NC 27932

Job J0918-4435	Truss V03	Truss Type VALLEY	Qty 2	Ply 1	Jason Price / Campbell Pointe Bldg. 26	E12370866
-------------------	--------------	----------------------	----------	----------	--	-----------

Comtech, Inc., Fayetteville, NC 28309

8.130 s Mar 11 2018 MiTek Industries, Inc. Wed Oct 31 12:58:32 2018 Page 1
ID:ZzXTyMvxB55ZLn?FA7qN0rzLZck-pbMK3nGBS2kD491zLEU0RhH1BFOnh0emutL6xEyNuCr



Scale = 1:21.1

LOADING (psf)	SPACING-	CSI.	DEFL.	in (loc)	l/defl	L/d	PLATES	GRIP
TCLL 20.0	Plate Grip DOL 1.15	TC 0.19	Vert(LL)	n/a	-	n/a	MT20	244/190
TCDL 10.0	Lumber DOL 1.15	BC 0.14	Vert(TL)	n/a	-	n/a		
BCLL 0.0 *	Rep Stress Incr YES	WB 0.05	Horz(TL)	0.00	3	n/a		
BCDL 10.0	Code IRC2009/TPI2007	Matrix-S					Weight: 34 lb	FT = 20%

LUMBER-
TOP CHORD 2x4 SP No.1
BOT CHORD 2x4 SP No.1
OTHERS 2x4 SP No.3

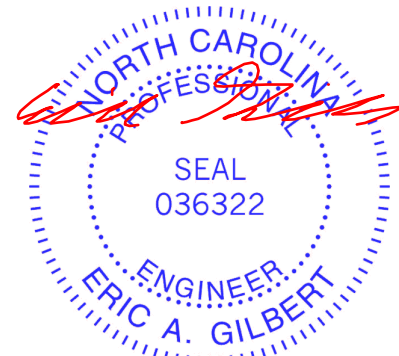
BRACING-
TOP CHORD Structural wood sheathing directly applied or 6-0-0 oc purlins.
BOT CHORD Rigid ceiling directly applied or 10-0-0 oc bracing.

REACTIONS. (lb/size) 1=173/9-7-1, 3=173/9-7-1, 4=344/9-7-1
Max Horz 1=80(LC 4)
Max Uplift 1=24(LC 6), 3=31(LC 7), 4=3(LC 6)

FORCES. (lb) - Max. Comp./Max. Ten. - All forces 250 (lb) or less except when shown.

NOTES-

- Unbalanced roof live loads have been considered for this design.
- Wind: ASCE 7-05; 100mph; TCDL=6.0psf; BCDL=5.0psf; h=15ft; Cat. II; Exp C; enclosed; MWFRS (low-rise) and C-C Exterior(2) zone; C-C for members and forces & MWFRS for reactions shown; Lumber DOL=1.60 plate grip DOL=1.60
- This truss has been designed for a 10.0 psf bottom chord live load nonconcurrent with any other live loads.
- * This truss has been designed for a live load of 20.0psf on the bottom chord in all areas with a clearance greater than 6-0-0 between the bottom chord and any other members.
- Provide mechanical connection (by others) of truss to bearing plate capable of withstanding 100 lb uplift at joint(s) 1, 3, 4.
- Non Standard bearing condition. Review required.



October 31, 2018

WARNING - Verify design parameters and READ NOTES ON THIS AND INCLUDED MITEK REFERENCE PAGE MII-7473 rev. 10/03/2015 BEFORE USE.

Design valid for use only with MiTek® connectors. This design is based only upon parameters shown, and is for an individual building component, not a truss system. Before use, the building designer must verify the applicability of design parameters and properly incorporate this design into the overall building design. Bracing indicated is to prevent buckling of individual truss web and/or chord members only. Additional temporary and permanent bracing is always required for stability and to prevent collapse with possible personal injury and property damage. For general guidance regarding the fabrication, storage, delivery, erection and bracing of trusses and truss systems, see

ANSI/TPI1 Quality Criteria, DSB-89 and BCSI Building Component

Safety Information available from Truss Plate Institute, 218 N. Lee Street, Suite 312, Alexandria, VA 22314.

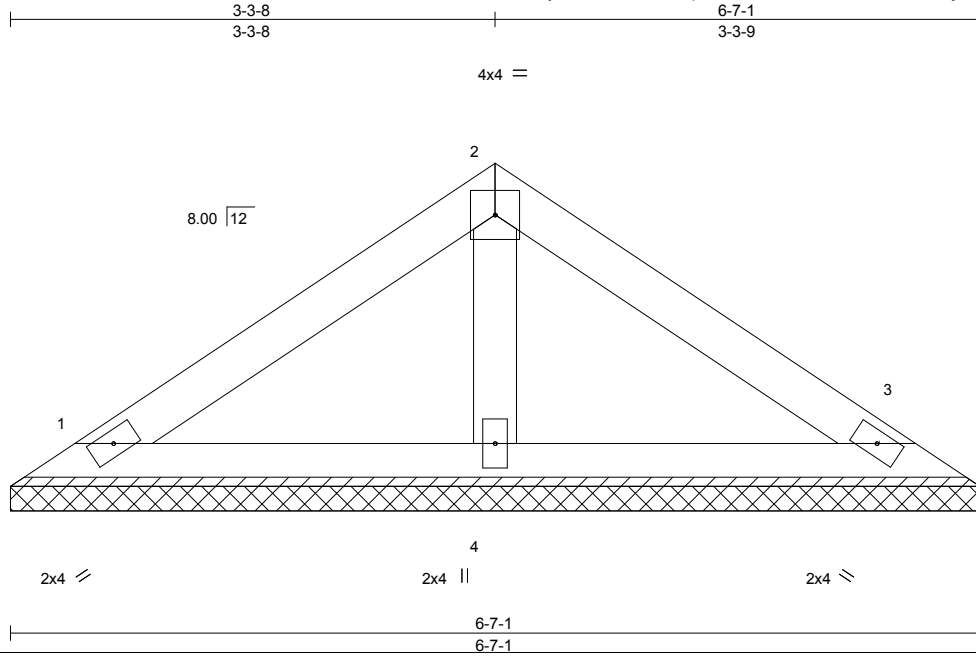
ENGINEERING BY
TRENCO
A MiTek Affiliate

818 Soundside Road
Edenton, NC 27932

Job J0918-4435	Truss V04	Truss Type VALLEY	Qty 2	Ply 1	Jason Price / Campbell Pointe Bldg. 26	E12370867
-------------------	--------------	----------------------	----------	----------	--	-----------

Comtech, Inc., Fayetteville, NC 28309

8.130 s Mar 11 2018 MiTek Industries, Inc. Wed Oct 31 12:58:35 2018 Page 1
ID:ZzXTyMvxB55ZLn?FA7qN0rzLZck-EA1SioJ3lz6oxcmY1M1j3KvZnTShuNmDaramYZyNuCo



Scale = 1:15.7

LOADING (psf)	SPACING-	CSI.	DEFL.	in (loc)	l/defl	L/d	PLATES	GRIP
TCLL 20.0	Plate Grip DOL 1.15	TC 0.11	Vert(LL) n/a	-	n/a	999	MT20	244/190
TCDL 10.0	Lumber DOL 1.15	BC 0.06	Vert(TL) n/a	-	n/a	999		
BCLL 0.0 *	Rep Stress Incr YES	WB 0.03	Horz(TL) 0.00	3	n/a	n/a		
BCDL 10.0	Code IRC2009/TPI2007	Matrix-P					Weight: 22 lb	FT = 20%

LUMBER-
TOP CHORD 2x4 SP No.1
BOT CHORD 2x4 SP No.1
OTHERS 2x4 SP No.3

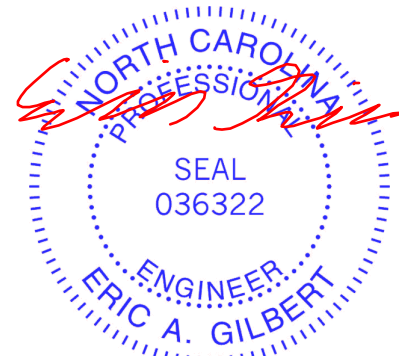
BRACING-
TOP CHORD Structural wood sheathing directly applied or 6-0-0 oc purlins.
BOT CHORD Rigid ceiling directly applied or 10-0-0 oc bracing.

REACTIONS. (lb/size) 1=123/6-7-1, 3=123/6-7-1, 4=204/6-7-1
Max Horz 1=52(LC 5)
Max Uplift 1=-21(LC 6), 3=-25(LC 7)

FORCES. (lb) - Max. Comp./Max. Ten. - All forces 250 (lb) or less except when shown.

NOTES-

- Unbalanced roof live loads have been considered for this design.
- Wind: ASCE 7-05; 100mph; TCDL=6.0psf; BCDL=5.0psf; h=15ft; Cat. II; Exp C; enclosed; MWFRS (low-rise) and C-C Exterior(2) zone; C-C for members and forces & MWFRS for reactions shown; Lumber DOL=1.60 plate grip DOL=1.60
- This truss has been designed for a 10.0 psf bottom chord live load nonconcurrent with any other live loads.
- * This truss has been designed for a live load of 20.0psf on the bottom chord in all areas with a clearance greater than 6-0-0 between the bottom chord and any other members.
- Provide mechanical connection (by others) of truss to bearing plate capable of withstanding 100 lb uplift at joint(s) 1, 3.
- Non Standard bearing condition. Review required.



October 31, 2018

WARNING - Verify design parameters and READ NOTES ON THIS AND INCLUDED MITEK REFERENCE PAGE MII-7473 rev. 10/03/2015 BEFORE USE.

Design valid for use only with MiTek® connectors. This design is based only upon parameters shown, and is for an individual building component, not a truss system. Before use, the building designer must verify the applicability of design parameters and properly incorporate this design into the overall building design. Bracing indicated is to prevent buckling of individual truss web and/or chord members only. Additional temporary and permanent bracing is always required for stability and to prevent collapse with possible personal injury and property damage. For general guidance regarding the fabrication, storage, delivery, erection and bracing of trusses and truss systems, see **ANSI/TPI1 Quality Criteria, DSB-89 and BCSI Building Component Safety Information** available from Truss Plate Institute, 218 N. Lee Street, Suite 312, Alexandria, VA 22314.

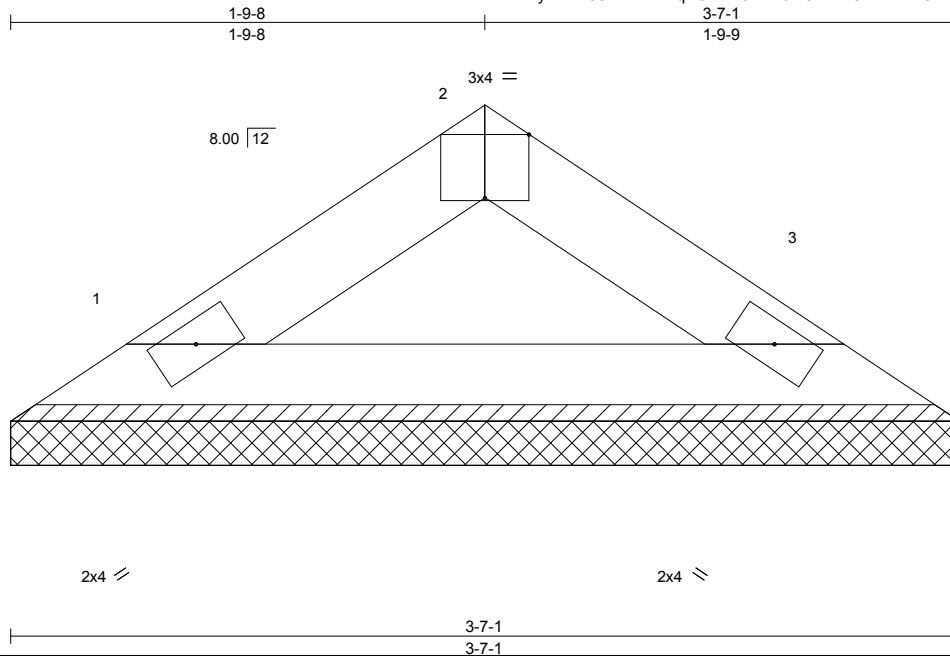


818 Soundside Road
Edenton, NC 27932

Job J0918-4435	Truss V05	Truss Type VALLEY	Qty 2	Ply 1	Jason Price / Campbell Pointe Bldg. 26	E12370868
-------------------	--------------	----------------------	----------	----------	--	-----------

Comtech, Inc., Fayetteville, NC 28309

8.130 s Mar 11 2018 MiTek Industries, Inc. Wed Oct 31 12:58:36 2018 Page 1
ID:ZzXTyMvxB55ZLn?FA7qN0rzLZck-iMbrv8KhWGEfYmKka4YycXRlStowdqRMpVKJ4?yNuCn



Scale = 1:8.7

LOADING (psf)		SPACING-		CSI.		DEFL.				PLATES	GRIP	
TCLL	20.0	Plate Grip DOL	1.15	TC	0.02	Vert(LL)	n/a	-	n/a	999	MT20	244/190
TCDL	10.0	Lumber DOL	1.15	BC	0.06	Vert(TL)	n/a	-	n/a	999		
BCLL	0.0 *	Rep Stress Incr	YES	WB	0.00	Horz(TL)	0.00	3	n/a	n/a		
BCDL	10.0	Code	IRC2009/TP12007	Matrix-P							Weight: 10 lb	FT = 20%

LUMBER-
TOP CHORD 2x4 SP No.1
BOT CHORD 2x4 SP No.1

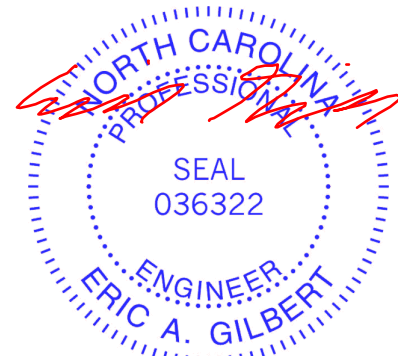
BRACING-
TOP CHORD Structural wood sheathing directly applied or 3-7-1 oc purlins.
BOT CHORD Rigid ceiling directly applied or 10-0-0 oc bracing.

REACTIONS. (lb/size) 1=105/3-7-1, 3=105/3-7-1
Max Horz 1=24(LC 4)
Max Uplift 1=8(LC 6), 3=8(LC 7)

FORCES. (lb) - Max. Comp./Max. Ten. - All forces 250 (lb) or less except when shown.

NOTES-

- Unbalanced roof live loads have been considered for this design.
- Wind: ASCE 7-05; 100mph; TCDL=6.0psf; BCDL=5.0psf; h=15ft; Cat. II; Exp C; enclosed; MWFRS (low-rise) and C-C Exterior(2) zone; C-C for members and forces & MWFRS for reactions shown; Lumber DOL=1.60 plate grip DOL=1.60
- This truss has been designed for a 10.0 psf bottom chord live load nonconcurrent with any other live loads.
- * This truss has been designed for a live load of 20.0psf on the bottom chord in all areas with a clearance greater than 6-0-0 between the bottom chord and any other members.
- Provide mechanical connection (by others) of truss to bearing plate capable of withstanding 100 lb uplift at joint(s) 1, 3.
- Non Standard bearing condition. Review required.



October 31, 2018

WARNING - Verify design parameters and READ NOTES ON THIS AND INCLUDED MITEK REFERENCE PAGE MII-7473 rev. 10/03/2015 BEFORE USE.

Design valid for use only with MiTek® connectors. This design is based only upon parameters shown, and is for an individual building component, not a truss system. Before use, the building designer must verify the applicability of design parameters and properly incorporate this design into the overall building design. Bracing indicated is to prevent buckling of individual truss web and/or chord members only. Additional temporary and permanent bracing is always required for stability and to prevent collapse with possible personal injury and property damage. For general guidance regarding the fabrication, storage, delivery, erection and bracing of trusses and truss systems, see **ANSI/TP1 Quality Criteria, DSB-89 and BCSI Building Component Safety Information** available from Truss Plate Institute, 218 N. Lee Street, Suite 312, Alexandria, VA 22314.

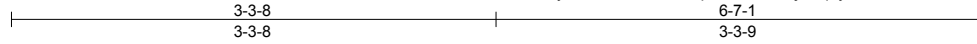
ENGINEERING BY
TRENCO
A MiTek Affiliate

818 Soundside Road
Edenton, NC 27932

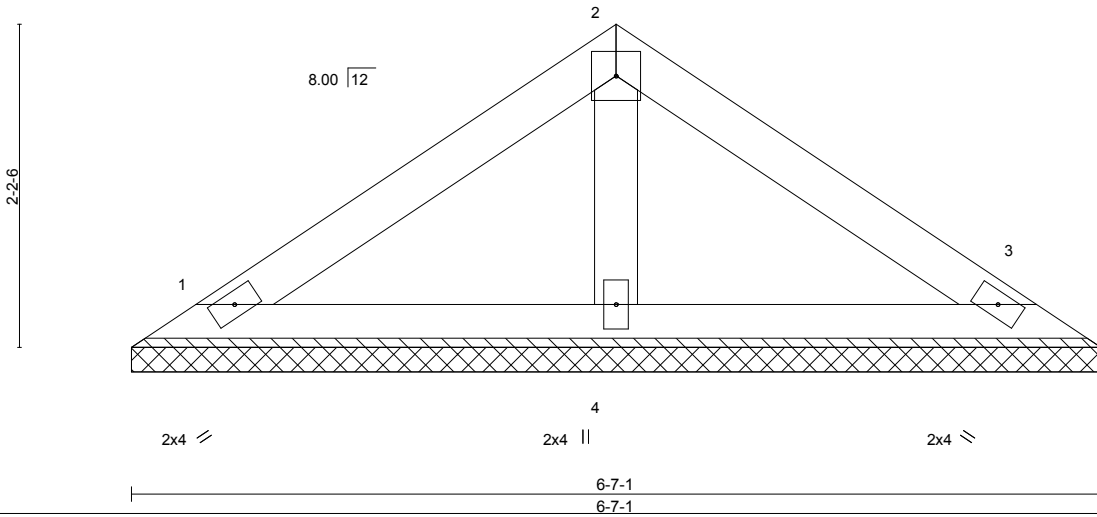
Job J0918-4435	Truss VB01	Truss Type VALLEY	Qty 5	Ply 1	Jason Price / Campbell Pointe Bldg. 26	E12370869
-------------------	---------------	----------------------	----------	----------	--	-----------

Comtech, Inc., Fayetteville, NC 28309

8.130 s Mar 11 2018 MiTek Industries, Inc. Wed Oct 31 12:58:38 2018 Page 1
ID:ZzXTyMvxB55ZLn?FA7qN0rzLZck-eljbKqLy2uUNo4U7ivbQhyX41gUO5kWfGppQ9uyNuCi



Scale = 1:15.7



LOADING (psf)	SPACING-		CSI.	DEFL.	in	(loc)	l/defl	L/d	PLATES	GRIP
TCLL 20.0	Plate Grip DOL 1.15	2-0-0	TC 0.11	Vert(LL)	n/a	-	n/a	999	MT20	244/190
TCDL 10.0	Lumber DOL 1.15		BC 0.06	Vert(TL)	n/a	-	n/a	999		
BCLL 0.0 *	Rep Stress Incr YES		WB 0.03	Horz(TL)	0.00	3	n/a	n/a		
BCDL 10.0	Code IRC2009/TPI2007		Matrix-P						Weight: 22 lb	FT = 20%

LUMBER-
TOP CHORD 2x4 SP No.1
BOT CHORD 2x4 SP No.1
OTHERS 2x4 SP No.3

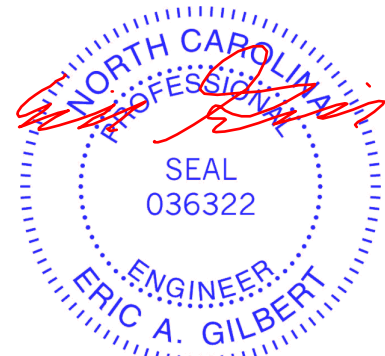
BRACING-
TOP CHORD Structural wood sheathing directly applied or 6-0-0 oc purlins.
BOT CHORD Rigid ceiling directly applied or 10-0-0 oc bracing.

REACTIONS. (lb/size) 1=123/6-7-1, 3=123/6-7-1, 4=204/6-7-1
Max Horz 1=-52(LC 4)
Max Uplift 1=-21(LC 6), 3=-25(LC 7)

FORCES. (lb) - Max. Comp./Max. Ten. - All forces 250 (lb) or less except when shown.

NOTES-

- Unbalanced roof live loads have been considered for this design.
- Wind: ASCE 7-05; 100mph; TCDL=6.0psf; BCDL=5.0psf; h=15ft; Cat. II; Exp C; enclosed; MWFRS (low-rise) and C-C Exterior(2) zone; C-C for members and forces & MWFRS for reactions shown; Lumber DOL=1.60 plate grip DOL=1.60
- This truss has been designed for a 10.0 psf bottom chord live load nonconcurrent with any other live loads.
- * This truss has been designed for a live load of 20.0psf on the bottom chord in all areas with a clearance greater than 6-0-0 between the bottom chord and any other members.
- Provide mechanical connection (by others) of truss to bearing plate capable of withstanding 100 lb uplift at joint(s) 1, 3.
- Non Standard bearing condition. Review required.



October 31, 2018

WARNING - Verify design parameters and READ NOTES ON THIS AND INCLUDED MITEK REFERENCE PAGE MII-7473 rev. 10/03/2015 BEFORE USE.

Design valid for use only with MiTek® connectors. This design is based only upon parameters shown, and is for an individual building component, not a truss system. Before use, the building designer must verify the applicability of design parameters and properly incorporate this design into the overall building design. Bracing indicated is to prevent buckling of individual truss web and/or chord members only. Additional temporary and permanent bracing is always required for stability and to prevent collapse with possible personal injury and property damage. For general guidance regarding the fabrication, storage, delivery, erection and bracing of trusses and truss systems, see **ANSI/TPI1 Quality Criteria, DSB-89 and BCSI Building Component Safety Information** available from Truss Plate Institute, 218 N. Lee Street, Suite 312, Alexandria, VA 22314.

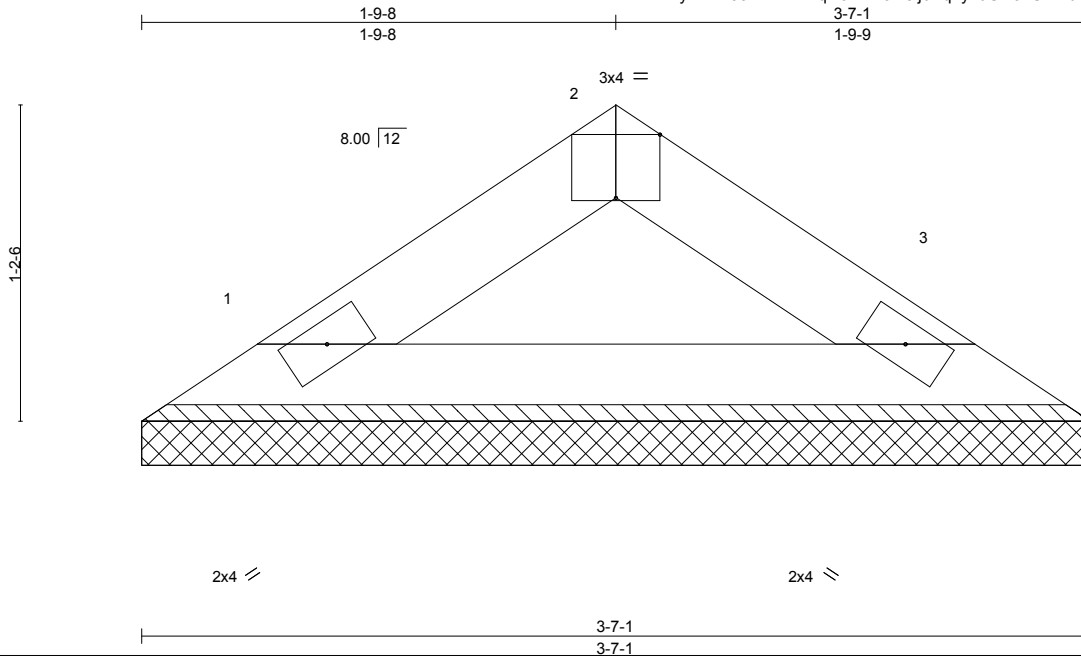


818 Soundside Road
Edenton, NC 27932

Job J0918-4435	Truss VB02	Truss Type VALLEY	Qty 5	Ply 1	Jason Price / Campbell Pointe Bldg. 26	E12370870
-------------------	---------------	----------------------	----------	----------	--	-----------

Comtech, Inc., Fayetteville, NC 28309

8.130 s Mar 11 2018 MiTek Industries, Inc. Wed Oct 31 12:58:38 2018 Page 1
ID:ZzXTyMvxB55ZLn?FA7qN0rzLZck-eljbKqLy2uUNo4U7iVbQhyX5MgUO5kxfGppQ9uyNuCl



Scale = 1:8.7

LOADING (psf)		SPACING-		CSI.		DEFL.				PLATES	GRIP	
TCLL	20.0	Plate Grip DOL	1.15	TC	0.02	Vert(LL)	n/a	-	n/a	999	MT20	244/190
TCDL	10.0	Lumber DOL	1.15	BC	0.06	Vert(TL)	n/a	-	n/a	999		
BCLL	0.0 *	Rep Stress Incr	YES	WB	0.00	Horz(TL)	0.00	3	n/a	n/a		
BCDL	10.0	Code	IRC2009/TP12007	Matrix-P							Weight: 10 lb	FT = 20%

LUMBER-
TOP CHORD 2x4 SP No.1
BOT CHORD 2x4 SP No.1

BRACING-
TOP CHORD Structural wood sheathing directly applied or 3-7-1 oc purlins.
BOT CHORD Rigid ceiling directly applied or 10-0-0 oc bracing.

REACTIONS. (lb/size) 1=105/3-7-1, 3=105/3-7-1
Max Horz 1=-24(LC 4)
Max Uplift 1=-8(LC 6), 3=-8(LC 7)

FORCES. (lb) - Max. Comp./Max. Ten. - All forces 250 (lb) or less except when shown.

NOTES-

- Unbalanced roof live loads have been considered for this design.
- Wind: ASCE 7-05; 100mph; TCDL=6.0psf; BCDL=5.0psf; h=15ft; Cat. II; Exp C; enclosed; MWFRS (low-rise) and C-C Exterior(2) zone; C-C for members and forces & MWFRS for reactions shown; Lumber DOL=1.60 plate grip DOL=1.60
- This truss has been designed for a 10.0 psf bottom chord live load nonconcurrent with any other live loads.
- * This truss has been designed for a live load of 20.0psf on the bottom chord in all areas with a clearance greater than 6-0-0 between the bottom chord and any other members.
- Provide mechanical connection (by others) of truss to bearing plate capable of withstanding 100 lb uplift at joint(s) 1, 3.
- Non Standard bearing condition. Review required.



October 31, 2018

WARNING - Verify design parameters and READ NOTES ON THIS AND INCLUDED MITEK REFERENCE PAGE MII-7473 rev. 10/03/2015 BEFORE USE.

Design valid for use only with MiTek® connectors. This design is based only upon parameters shown, and is for an individual building component, not a truss system. Before use, the building designer must verify the applicability of design parameters and properly incorporate this design into the overall building design. Bracing indicated is to prevent buckling of individual truss web and/or chord members only. Additional temporary and permanent bracing is always required for stability and to prevent collapse with possible personal injury and property damage. For general guidance regarding the fabrication, storage, delivery, erection and bracing of trusses and truss systems, see **ANSI/TP1 Quality Criteria, DSB-89 and BCSI Building Component Safety Information** available from Truss Plate Institute, 218 N. Lee Street, Suite 312, Alexandria, VA 22314.

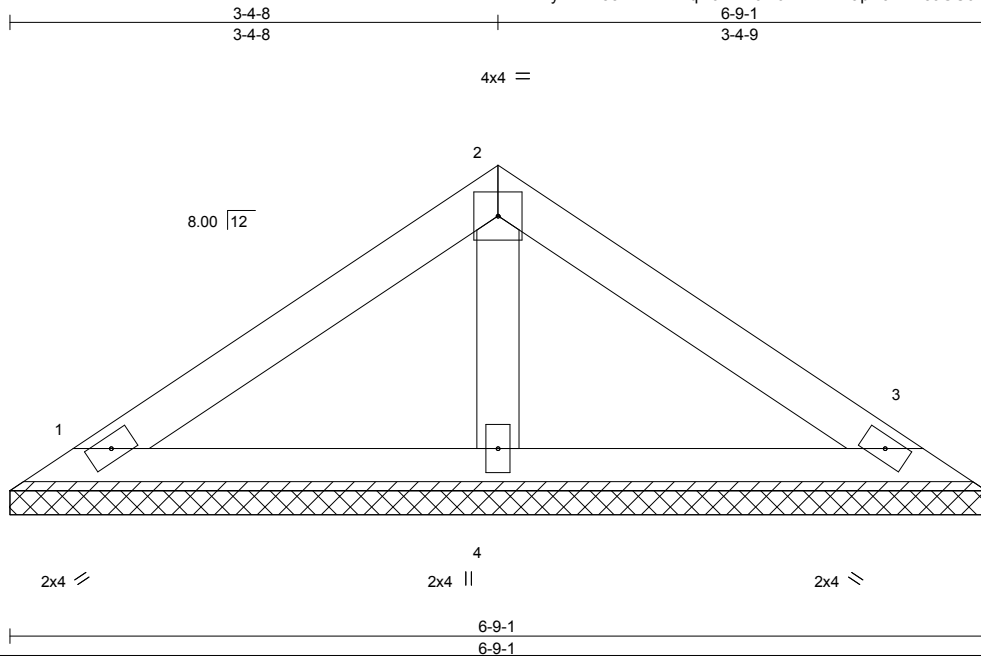


818 Soundside Road
Edenton, NC 27932

Job J0918-4435	Truss VP01	Truss Type VALLEY	Qty 3	Ply 1	Jason Price / Campbell Pointe Bldg. 26	E12370871
-------------------	---------------	----------------------	----------	----------	--	-----------

Comtech, Inc., Fayetteville, NC 28309

8.130 s Mar 11 2018 MiTek Industries, Inc. Wed Oct 31 12:58:39 2018 Page 1
ID:ZzXTyMvxB55ZLn?FA7qN0rzLZck-6xHzXAMapBcEPE3JGC6fEA3Ff4paqAloVTYzhKyNuCk



Scale: 3/4"=1'

LOADING (psf)	SPACING-	CSI.	DEFL.	in (loc)	l/defl	L/d	PLATES	GRIP
TCLL 20.0	Plate Grip DOL 1.15	TC 0.11	Vert(LL) n/a	-	n/a	999	MT20	244/190
TCDL 10.0	Lumber DOL 1.15	BC 0.06	Vert(TL) n/a	-	n/a	999		
BCLL 0.0 *	Rep Stress Incr YES	WB 0.03	Horz(TL) 0.00	3	n/a	n/a		
BCDL 10.0	Code IRC2009/TPI2007	Matrix-P					Weight: 23 lb	FT = 20%

LUMBER-
TOP CHORD 2x4 SP No.1
BOT CHORD 2x4 SP No.1
OTHERS 2x4 SP No.3

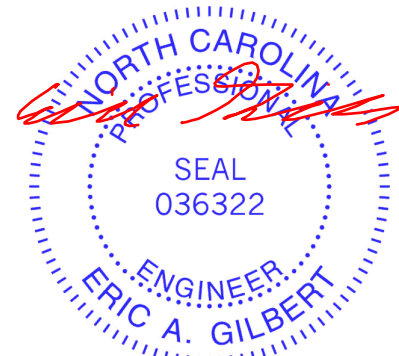
BRACING-
TOP CHORD Structural wood sheathing directly applied or 6-0-0 oc purlins.
BOT CHORD Rigid ceiling directly applied or 10-0-0 oc bracing.

REACTIONS. (lb/size) 1=127/6-9-1, 3=127/6-9-1, 4=210/6-9-1
Max Horz 1=-54(LC 4)
Max Uplift 1=-22(LC 6), 3=-26(LC 7)

FORCES. (lb) - Max. Comp./Max. Ten. - All forces 250 (lb) or less except when shown.

NOTES-

- Unbalanced roof live loads have been considered for this design.
- Wind: ASCE 7-05; 100mph; TCDL=6.0psf; BCDL=5.0psf; h=15ft; Cat. II; Exp C; enclosed; MWFRS (low-rise) and C-C Exterior(2) zone; C-C for members and forces & MWFRS for reactions shown; Lumber DOL=1.60 plate grip DOL=1.60
- This truss has been designed for a 10.0 psf bottom chord live load nonconcurrent with any other live loads.
- * This truss has been designed for a live load of 20.0psf on the bottom chord in all areas with a clearance greater than 6-0-0 between the bottom chord and any other members.
- Provide mechanical connection (by others) of truss to bearing plate capable of withstanding 100 lb uplift at joint(s) 1, 3.
- Non Standard bearing condition. Review required.



October 31, 2018

WARNING - Verify design parameters and READ NOTES ON THIS AND INCLUDED MITEK REFERENCE PAGE MII-7473 rev. 10/03/2015 BEFORE USE.

Design valid for use only with MiTek® connectors. This design is based only upon parameters shown, and is for an individual building component, not a truss system. Before use, the building designer must verify the applicability of design parameters and properly incorporate this design into the overall building design. Bracing indicated is to prevent buckling of individual truss web and/or chord members only. Additional temporary and permanent bracing is always required for stability and to prevent collapse with possible personal injury and property damage. For general guidance regarding the fabrication, storage, delivery, erection and bracing of trusses and truss systems, see **ANSI/TPI1 Quality Criteria, DSB-89 and BCSI Building Component Safety Information** available from Truss Plate Institute, 218 N. Lee Street, Suite 312, Alexandria, VA 22314.



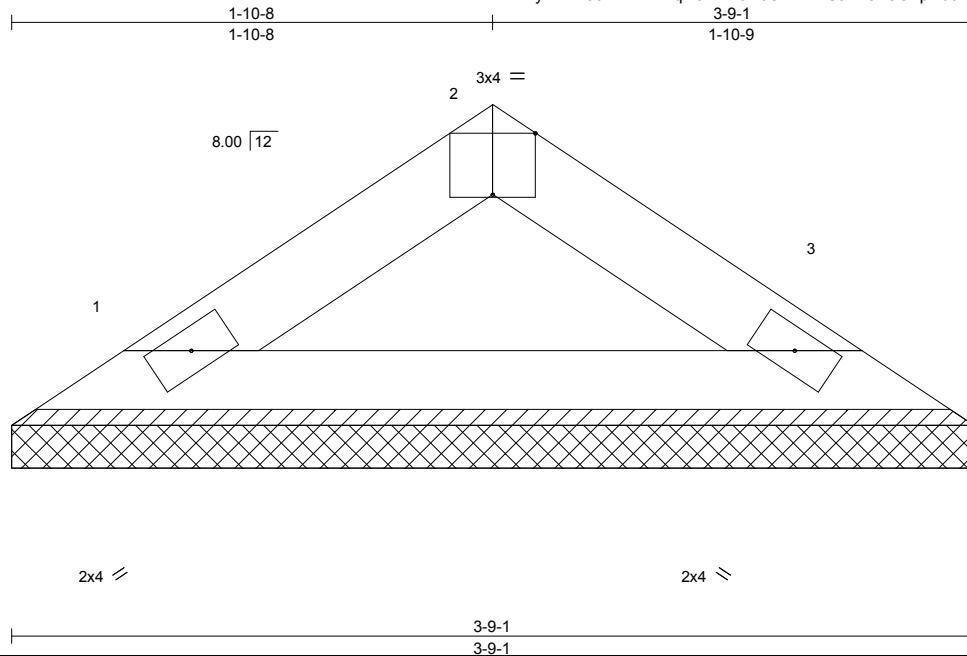
818 Soundside Road
Edenton, NC 27932

Job J0918-4435	Truss VP02	Truss Type VALLEY	Qty 3	Ply 1	Jason Price / Campbell Pointe Bldg. 26	E12370872
-------------------	---------------	----------------------	----------	----------	--	-----------

Comtech, Inc., Fayetteville, NC 28309

8.130 s Mar 11 2018 MiTek Industries, Inc. Wed Oct 31 12:58:40 2018 Page 1

ID:ZzXTyMvxB55ZLn?FA7qN0rzLZck-a8rLIWNCaV51OeVpwwdumNcRoU8kZdRyk7IXDmyNuCj



Scale = 1:9.0

Plate Offsets (X,Y)-- [2:0-2-0,Edge]

LOADING (psf)	SPACING-	CSI.	DEFL.	in	(loc)	l/defl	L/d	PLATES	GRIP
TCLL 20.0	Plate Grip DOL 1.15	TC 0.02	Vert(LL)	n/a	-	n/a	999	MT20	244/190
TCDL 10.0	Lumber DOL 1.15	BC 0.07	Vert(TL)	n/a	-	n/a	999		
BCLL 0.0 *	Rep Stress Incr YES	WB 0.00	Horz(TL)	0.00	3	n/a	n/a		
BCDL 10.0	Code IRC2009/TP12007	Matrix-P						Weight: 11 lb	FT = 20%

LUMBER-
TOP CHORD 2x4 SP No.1
BOT CHORD 2x4 SP No.1

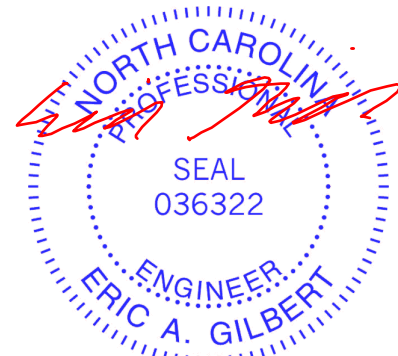
BRACING-
TOP CHORD Structural wood sheathing directly applied or 3-9-1 oc purlins.
BOT CHORD Rigid ceiling directly applied or 10-0-0 oc bracing.

REACTIONS. (lb/size) 1=112/3-9-1, 3=112/3-9-1
Max Horz 1=-26(LC 4)
Max Uplift 1=-8(LC 6), 3=-8(LC 7)

FORCES. (lb) - Max. Comp./Max. Ten. - All forces 250 (lb) or less except when shown.

NOTES-

- Unbalanced roof live loads have been considered for this design.
- Wind: ASCE 7-05; 100mph; TCDL=6.0psf; BCDL=5.0psf; h=15ft; Cat. II; Exp C; enclosed; MWFRS (low-rise) and C-C Exterior(2) zone; C-C for members and forces & MWFRS for reactions shown; Lumber DOL=1.60 plate grip DOL=1.60
- This truss has been designed for a 10.0 psf bottom chord live load nonconcurrent with any other live loads.
- * This truss has been designed for a live load of 20.0psf on the bottom chord in all areas with a clearance greater than 6-0-0 between the bottom chord and any other members.
- Provide mechanical connection (by others) of truss to bearing plate capable of withstanding 100 lb uplift at joint(s) 1, 3.
- Non Standard bearing condition. Review required.



October 31, 2018

WARNING - Verify design parameters and READ NOTES ON THIS AND INCLUDED MITEK REFERENCE PAGE MII-7473 rev. 10/03/2015 BEFORE USE.

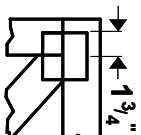
Design valid for use only with MiTek® connectors. This design is based only upon parameters shown, and is for an individual building component, not a truss system. Before use, the building designer must verify the applicability of design parameters and properly incorporate this design into the overall building design. Bracing indicated is to prevent buckling of individual truss web and/or chord members only. Additional temporary and permanent bracing is always required for stability and to prevent collapse with possible personal injury and property damage. For general guidance regarding the fabrication, storage, delivery, erection and bracing of trusses and truss systems, see **ANSI/TP1 Quality Criteria, DSB-89 and BCSI Building Component Safety Information** available from Truss Plate Institute, 218 N. Lee Street, Suite 312, Alexandria, VA 22314.



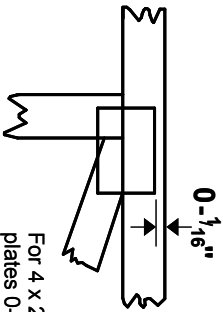
818 Soundside Road
Edenton, NC 27932

Symbols

PLATE LOCATION AND ORIENTATION



Center plate on joint unless x, y offsets are indicated. Dimensions are in ft.-in.-sixteenths. Apply plates to both sides of truss and fully embed teeth.



For 4 x 2 orientation, locate plates 0- $\frac{1}{16}$ " from outside edge of truss.



This symbol indicates the required direction of slots in connector plates.

* Plate location details available in **MITek 2020 software** or upon request.

PLATE SIZE

4 X 4

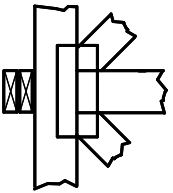
The first dimension is the plate width measured perpendicular to slots. Second dimension is the length parallel to slots.

LATERAL BRACING LOCATION



Indicated by symbol shown and/or by text in the bracing section of the output. Use T or I bracing if indicated.

BEARING



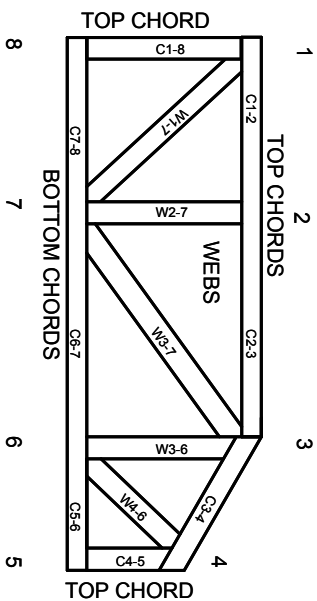
Indicates location where bearings (supports) occur. Icons vary but reaction section indicates joint number where bearings occur. Min size shown is for crushing only.

Industry Standards:

ANSI/TP11: National Design Specification for Metal Plate Connected Wood Truss Construction.
DSB-89: Design Standard for Bracing.
BCSI: Building Component Safety Information, Guide to Good Practice for Handling, Installing & Bracing of Metal Plate Connected Wood Trusses.

Numbering System

6-4-8 dimensions shown in ft.-in.-sixteenths (Drawings not to scale)



JOINTS ARE GENERALLY NUMBERED/LETTERED CLOCKWISE AROUND THE TRUSS STARTING AT THE JOINT FARTHEST TO THE LEFT.

CHORDS AND WEBS ARE IDENTIFIED BY END JOINT NUMBERS/LETTERS.

PRODUCT CODE APPROVALS

ICC-ES Reports:

ESR-1311, ESR-1352, ESR1988
ER-3907, ESR-2362, ESR-1397, ESR-3282

Trusses are designed for wind loads in the plane of the truss unless otherwise shown.

Lumber design values are in accordance with ANSI/TP1 section 6.3. These truss designs rely on lumber values established by others.

© 2012 MITek® All Rights Reserved



MITek Engineering Reference Sheet: Mill-7473 rev. 10/03/2015



General Safety Notes

Failure to Follow Could Cause Property Damage or Personal Injury

1. Additional stability bracing for truss system, e.g. diagonal or X-bracing, is always required. See BCSI.
2. Truss bracing must be designed by an engineer. For wide truss spacing, individual lateral braces themselves may require bracing, or alternative Tor-I bracing should be considered.
3. Never exceed the design loading shown and never stack materials on inadequately braced trusses.
4. Provide copies of this truss design to the building designer, erection supervisor, property owner and all other interested parties.
5. Cut members to bear tightly against each other.
6. Place plates on each face of truss at each joint and embed fully. Knots and wane at joint locations are regulated by ANSI/TP1 1.
7. Design assumes trusses will be suitably protected from the environment in accord with ANSI/TP1 1.
8. Unless otherwise noted, moisture content of lumber shall not exceed 19% at time of fabrication.
9. Unless expressly noted, this design is not applicable for use with fire retardant, preservative treated, or green lumber.
10. Camber is a non-structural consideration and is the responsibility of truss fabricator. General practice is to camber for dead load deflection.
11. Plate type, size, orientation and location dimensions indicated are minimum plating requirements.
12. Lumber used shall be of the species and size, and in all respects, equal to or better than that specified.
13. Top chords must be sheathed or purlins provided at spacing indicated on design.
14. Bottom chords require lateral bracing at 10 ft. spacing, or less, if no ceiling is installed, unless otherwise noted.
15. Connections not shown are the responsibility of others.
16. Do not cut or alter truss member or plate without prior approval of an engineer.
17. Install and load vertically unless indicated otherwise.
18. Use of green or treated lumber may pose unacceptable environmental, health or performance risks. Consult with project engineer before use.
19. Review all portions of this design (front, back, words and pictures) before use. Reviewing pictures alone is not sufficient.
20. Design assumes manufacture in accordance with ANSI/TP1 1 Quality Criteria.