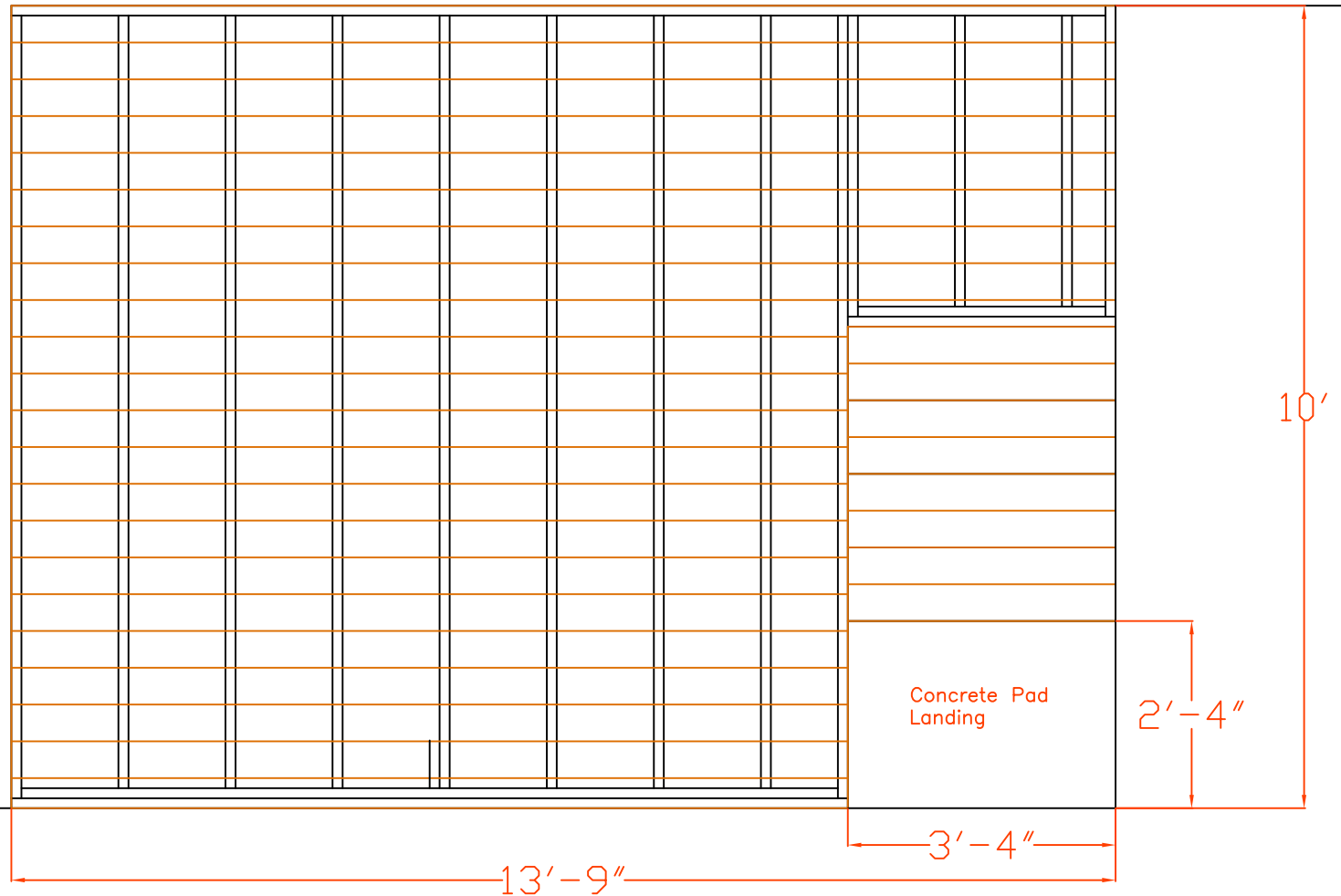


# 334 Crosslink Dr. Angier — Deck Build

Existing Home  
with Vinyl Siding

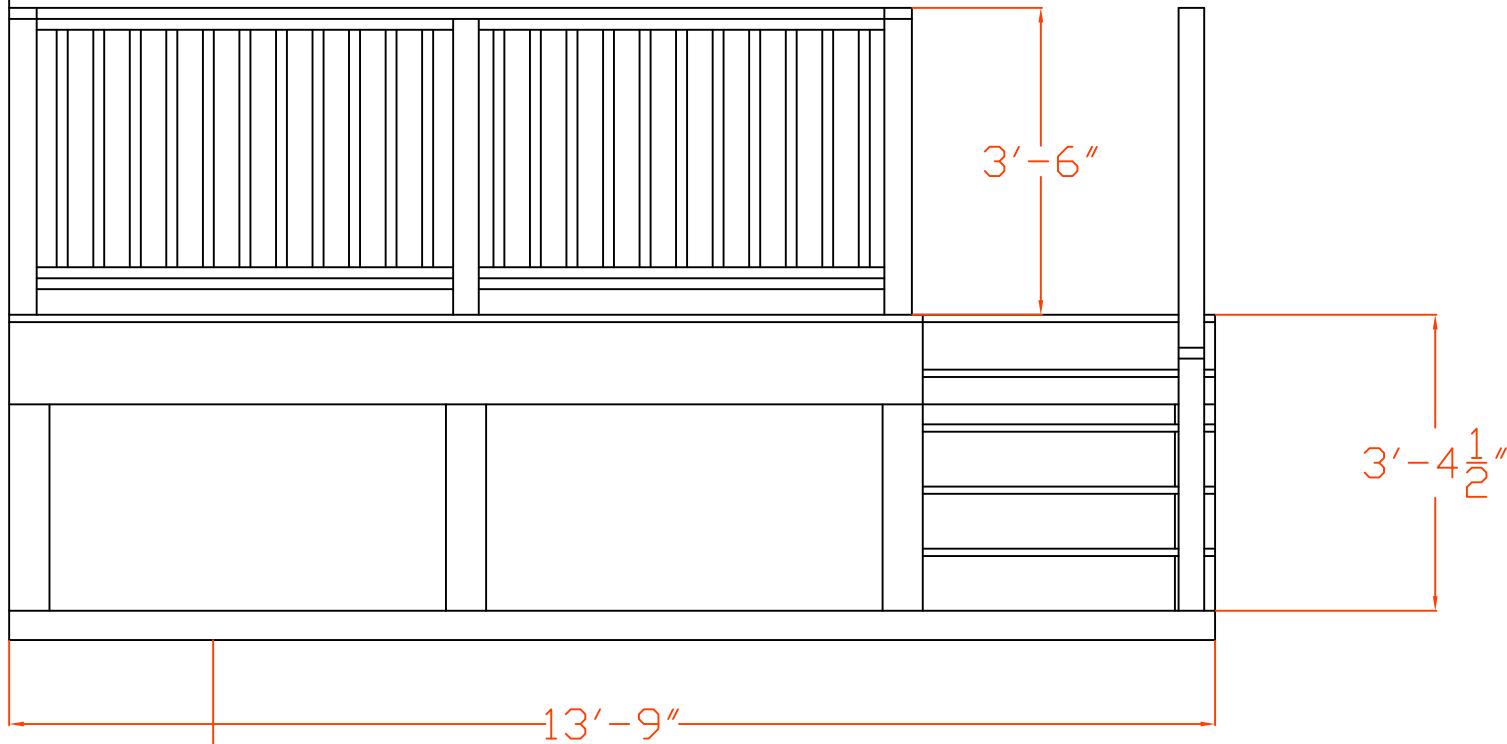
Existing Screened  
Porch



# 334 Crosslink Dr. Angier — Deck Build

Existing Home

Existing Screened  
Porch



Existing concrete patio  
to be used as footer for deck.  
6x6 post anchors will be installed to secure  
deck to concrete pad.

334 Crosslink Dr.

# Angier — Deck Build

Existing Screened  
Porch

