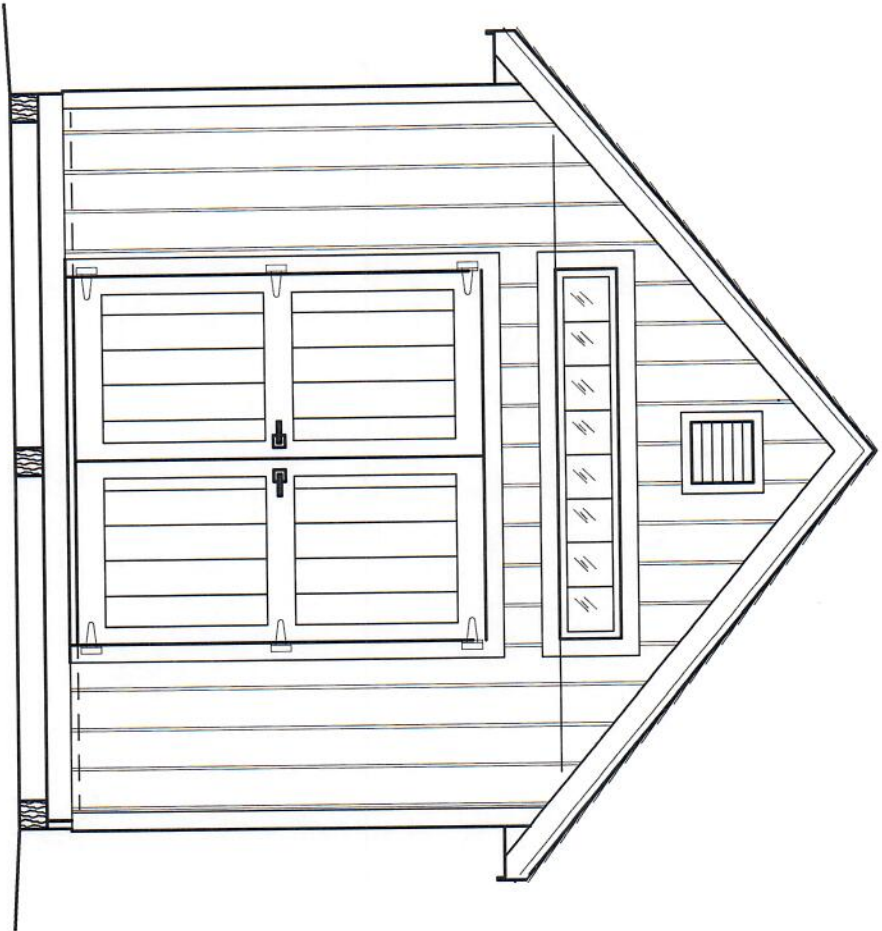


DRAWING INDEX

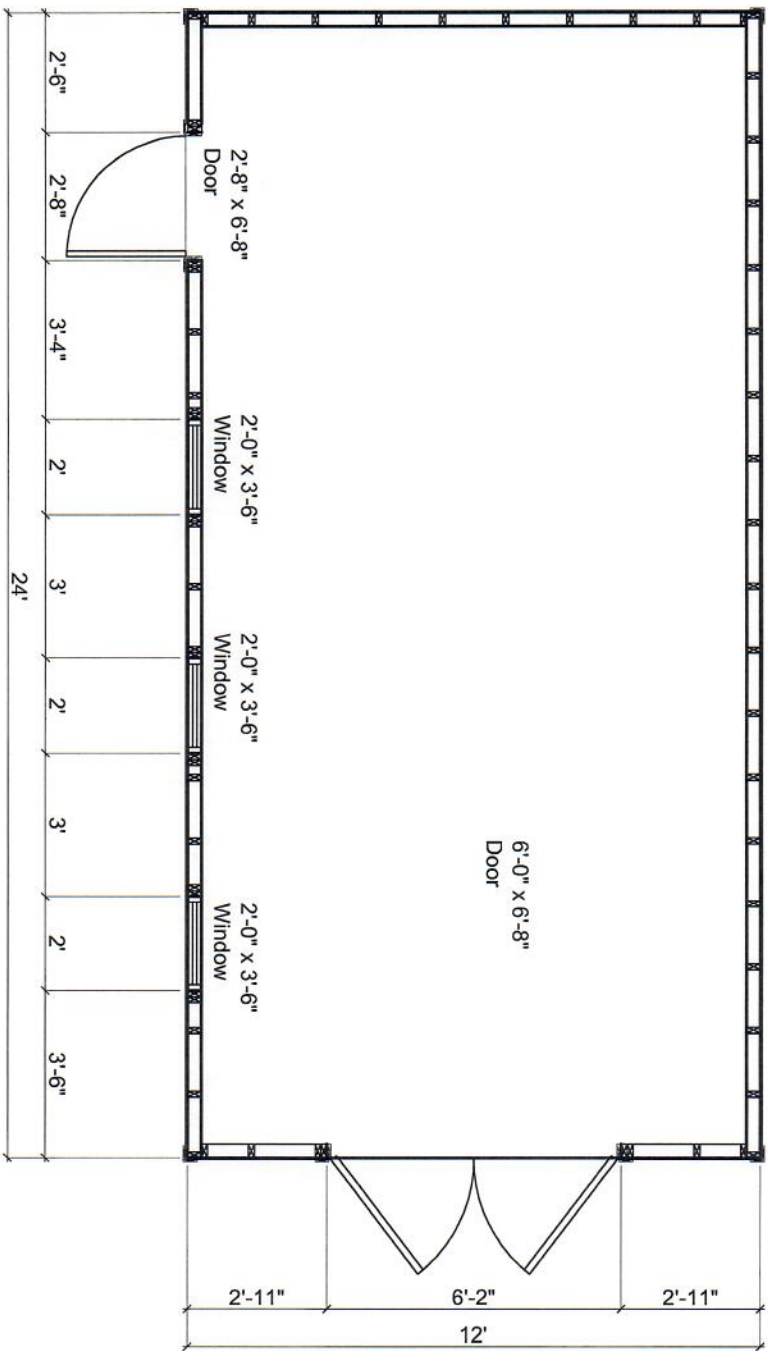
Page 1	Title Sheet
Page 2	Floor Plan, Typical
Page 3	Exterior Elevations
Page 3.1	Exterior Elevations
Page 4	Skid Foundation Plan
Page 4.1	Concrete Slab Plan
Page 5	Floor Framing Plan
Page 5.1	Floor Sheeting Plan
Page 6	Wall Framing Plans
Page 6.1	Wall Framing Plans
Page 7	Roof Framing Plans
Page 7.1	Roof Truss Details
Page 7.2	Roof Sheeting Plan
Page 7.3	Truss Top Chord Templates
Page 7.4	Truss Bottom Chord Template
Page 7.5	Truss King Post Template
Page 8	Section
Page 8.1	Details
Page 8.2	Details
Page 8.3	Details



12 x 24 Traditional Victorian Shed Plans

Please view and download the HOW TO BUILD A SHED tutorial at
<http://www.icreatables.com/sheds/how-to-build-shed/how-to-build-a-shed-download.html>

Copyright © 2015 BIG IDEA DESIGNS. All rights reserved. To read our License agreement and Legal Disclaimer please visit our website and click on the terms button at the bottom of the page in our Shed Plans section or read it in the How To Build a Shed instructions from Icreatables.com. All images and information contained in these plans are copyrighted and may not be distributed, modified or reproduced in whole or in part without the prior consent of Big Idea Designs, Inc. These plans are for personal, non commercial use only. These plans are for single use. User of these plans should contact a local structural engineer, architect or government building official to verify that the Plans and other Building Documents meet local code requirements and site conditions.

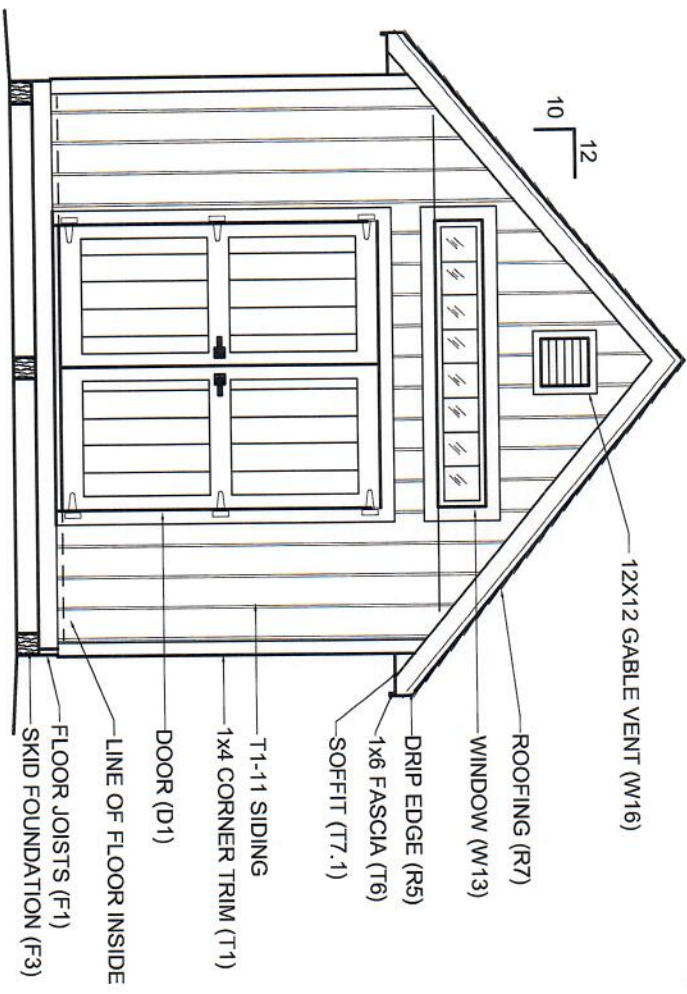


FLOOR PLAN

1/4" = 1'-0"

See wall framing plans for stud layout and material take off.

FRONT ELEVATION



12X12 GABLE VENT (W16)

ROOFING (R7)

WINDOW (W13)

DRIP EDGE (R5)

1X6 FASCIA (T6)

SOFFIT (T7.1)

T1-11 SIDING

1X4 CORNER TRIM (T1)

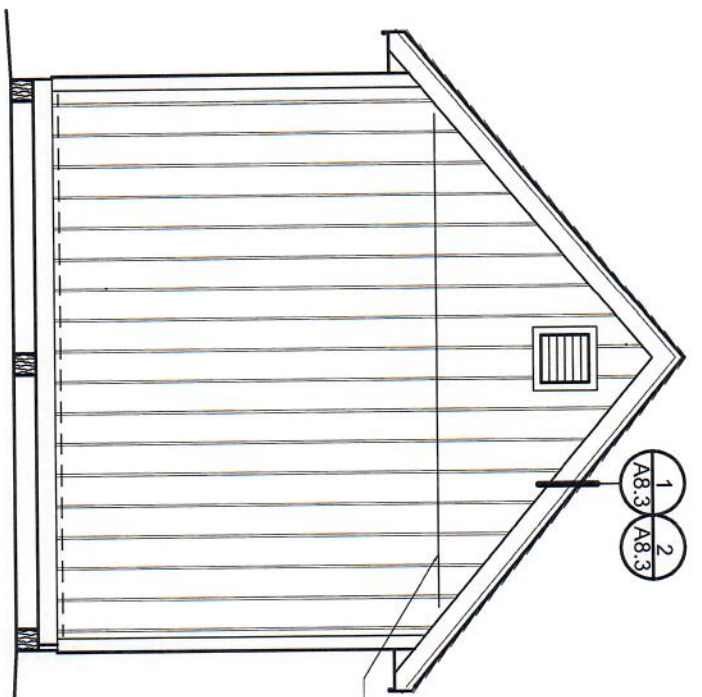
DOOR (D1)

LINE OF FLOOR INSIDE

FLOOR JOISTS (F1)

SKID FOUNDATION (F3)

REAR ELEVATION



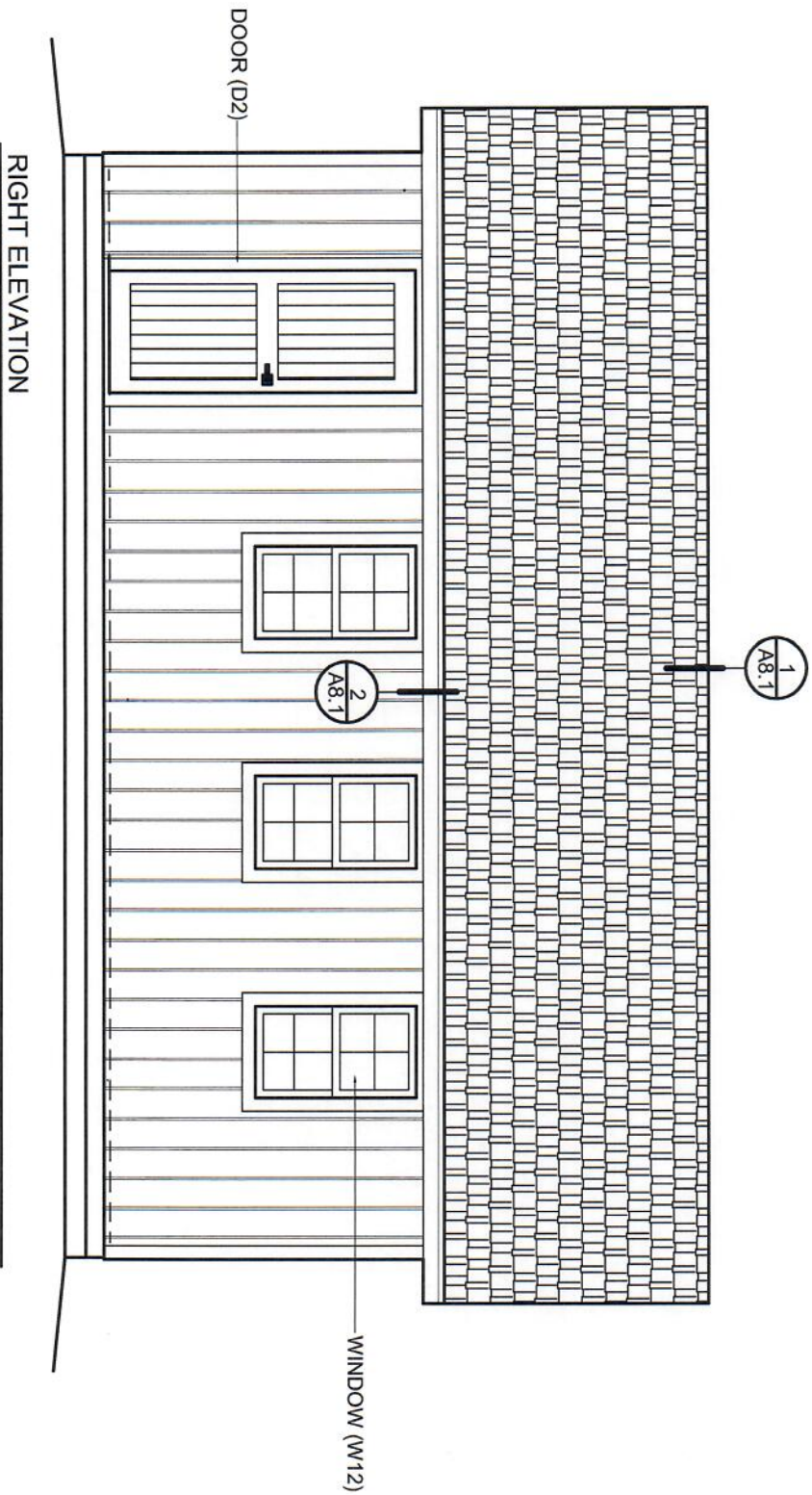
1
A8.3 / A8.3

SIDING JOINT,
FLASHING (W10)

SIDING AND ROOFING MATERIALS

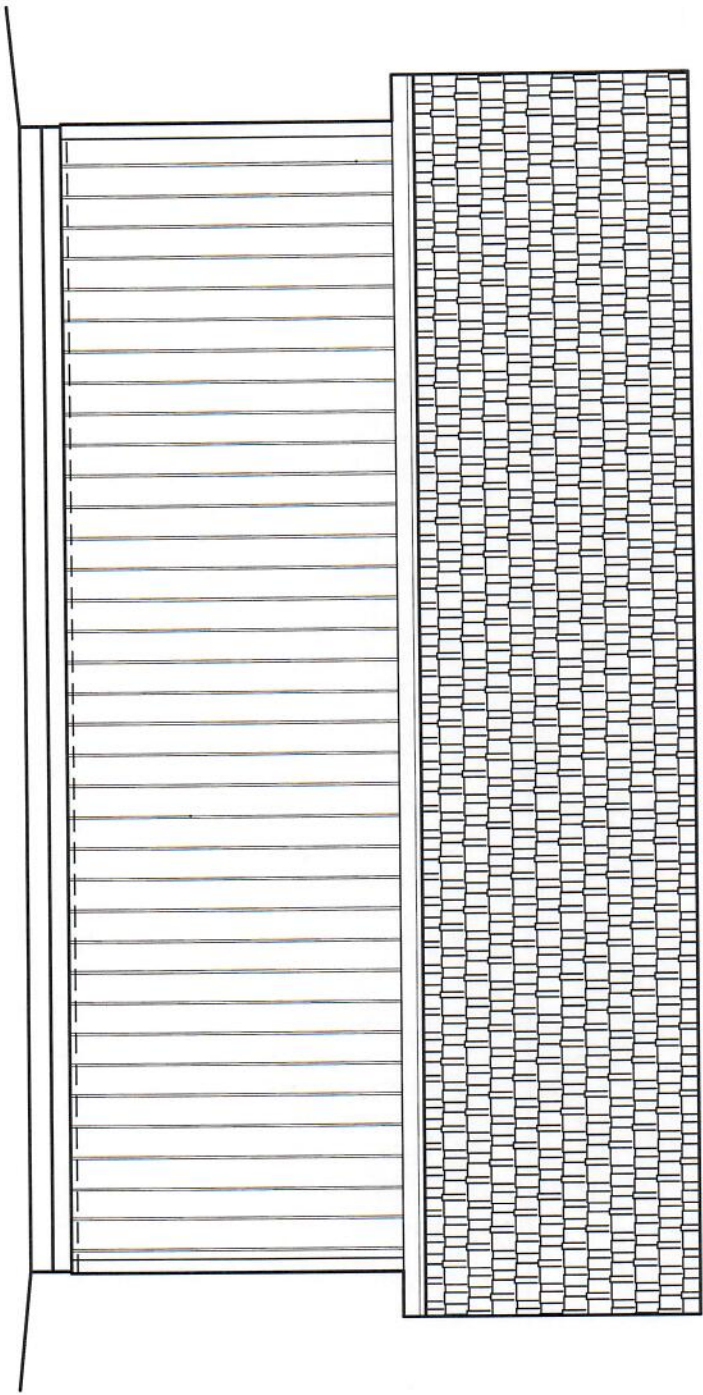
CODE	DESCRIPTION	LENGTH	QTY.
W7	4ft. x 8ft. T1-11	per plan	22
W7.1	4ft. x 8ft. Textured ply. Soffit		2
T4	1x4 Wood Trim	16'	9
T6	1x6 Trim Fascia	16'	6
R5	Roof Drip Edge	1 1/2" x 1 1/2" x 10'	11
R6	15lb. Roofing Felt	474 sf.	1.5 roll
R7	Shingles	474 sf.	5 sq.
W10	"Z" Metal Flashing	10'	3
W12	2036 SH Window	2'-0" x 3'-6"	3
W13	6010 Fixed Window	6'-0" x 1'-0"	1
W16	Pre made gable vent	12" x 12"	2
D1	2668 Door	3'-0" x 2'-6"	1
D2	6068 Double door	6'-0" x 6'-8"	1

Ramp or stair materials are not shown



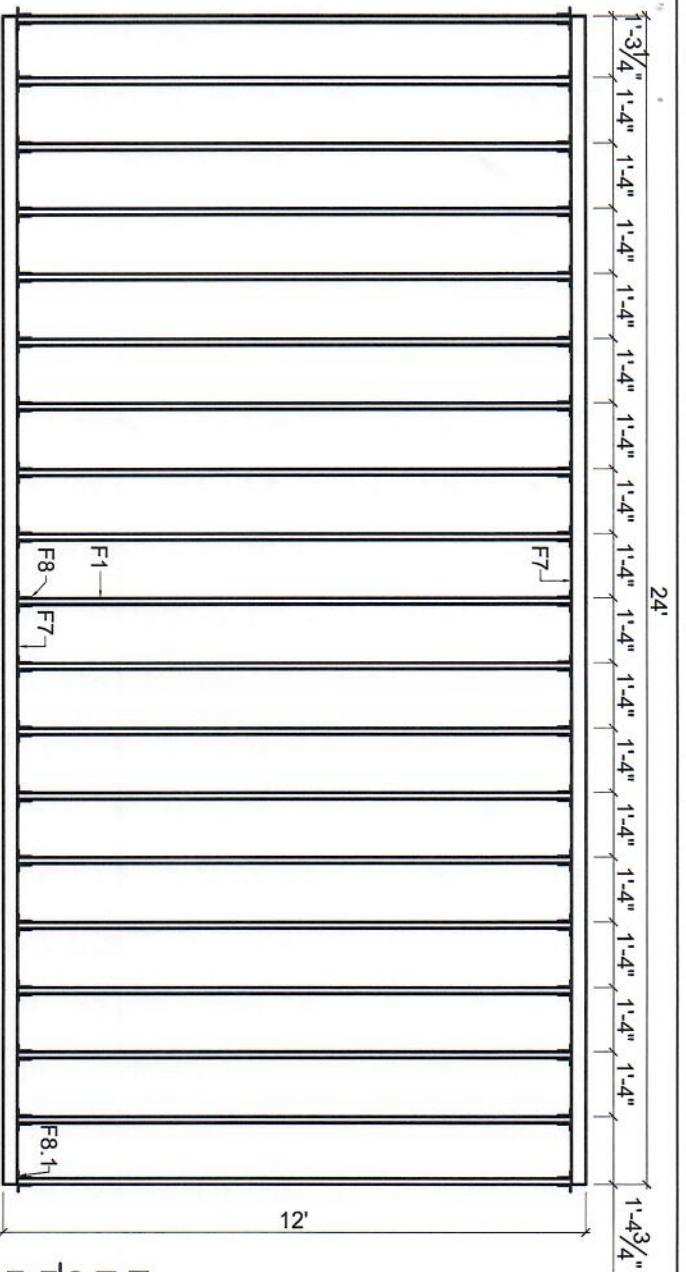
Exterior Elevations 3.1

RIGHT ELEVATION

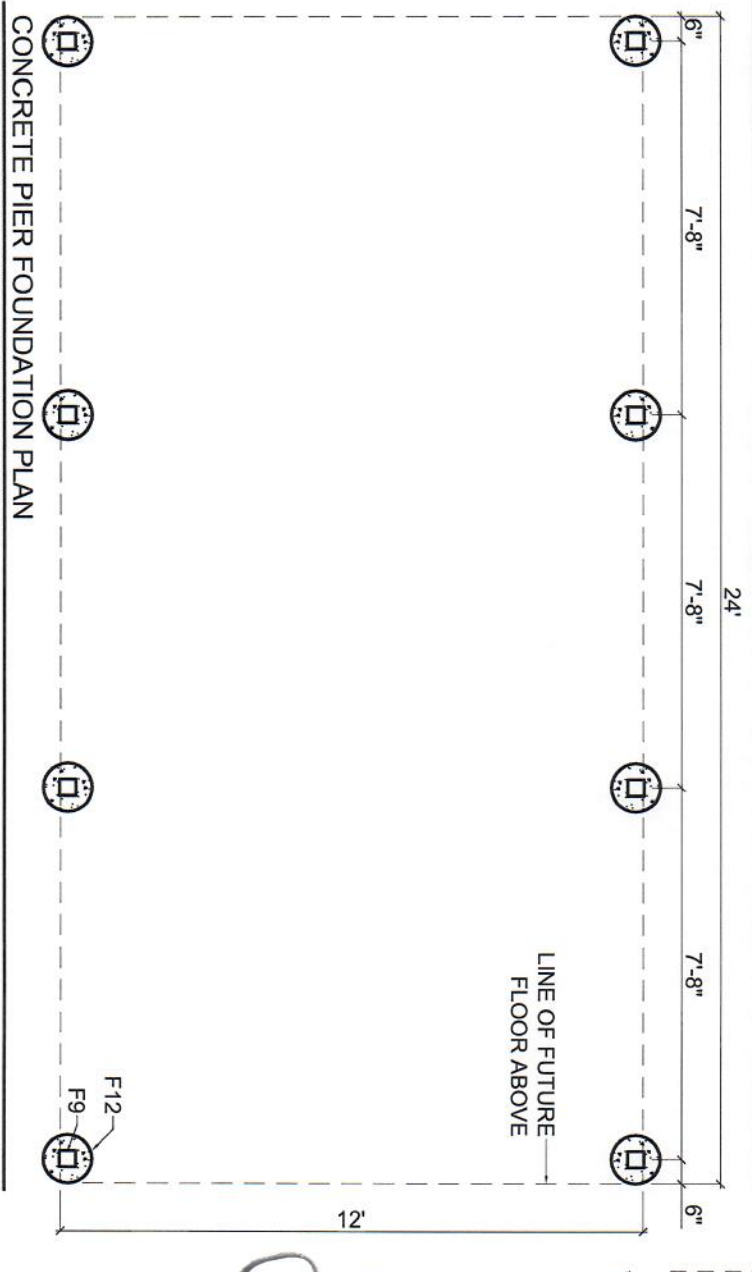


Exterior Elevations **3.2**

Copyright 2015 Big Idea Designs. www.icreatables.com



CONCRETE PIER FLOOR FRAMING PLAN



CONCRETE PIER FOUNDATION PLAN

Footings should be under the bearing walls of the shed. This means that the beam resting on the piers should be under the walls that the roof rests on.

*2x10 x 10" Joists
6x12" centers*

BLOCK AND ROUND PIER FOUNDATION AND FLOOR FRAMING MATERIALS

CODE	DESCRIPTION	LENGTH	QTY.
F1	2x10 Doug Fir Floor Joist	12'-0"	19
F4	Full Face O.S.B. T & G.	4'x8'x $\frac{3}{4}$ "	9
F7	3 1/2" X 10 1/2" Glu Lam beam*	24'	2
F8	Simpson Joist Hanger	LU26	34
F8.1	Simpson Joist Hanger	LUC26Z	4
F9	Simpson Post Base	ABU44	8
F12	10" Round Concrete Pier		8

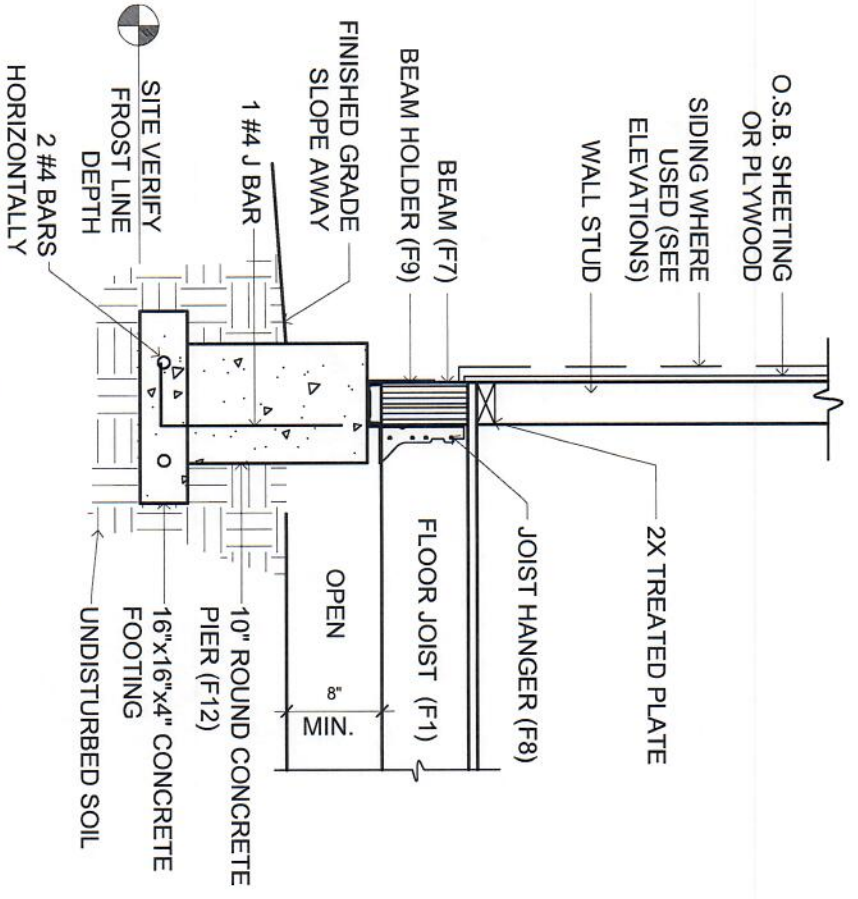
*(F8) Install hangers using Strong-Drive® SD Connector Screws.

NOTE THAT THIS FLOOR DESIGN SHOULD BE REVIEWED BY A LOCAL STRUCTURAL ENGINEER TO VERIFY ROOF AND FLOOR LOADING CONDITIONS.

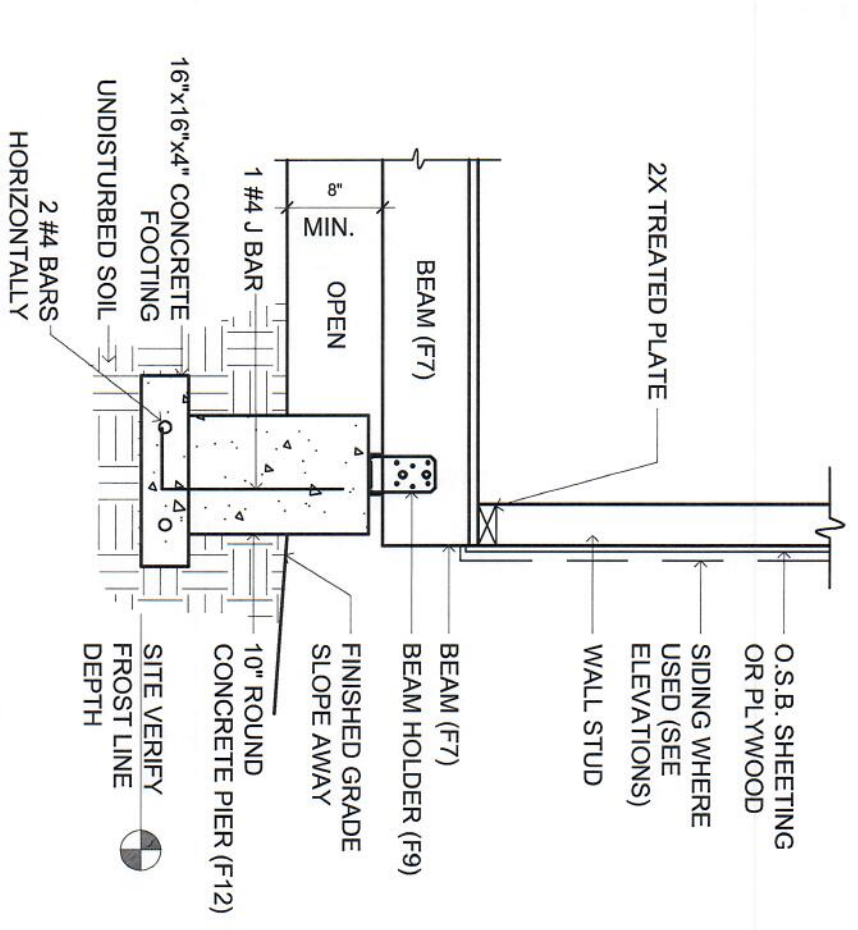
DESIGN LOADS
FLOOR 50 LBS (40 LIVE, 10 DEAD)
ROOF 40 LBS (30 LIVE, 10 DEAD)

YOU MAY WANT TO INSTALL FLOOR JOISTS AT 12" O.C. TO INCREASE THE FLOOR STRENGTH

POUR PIER FND. 1

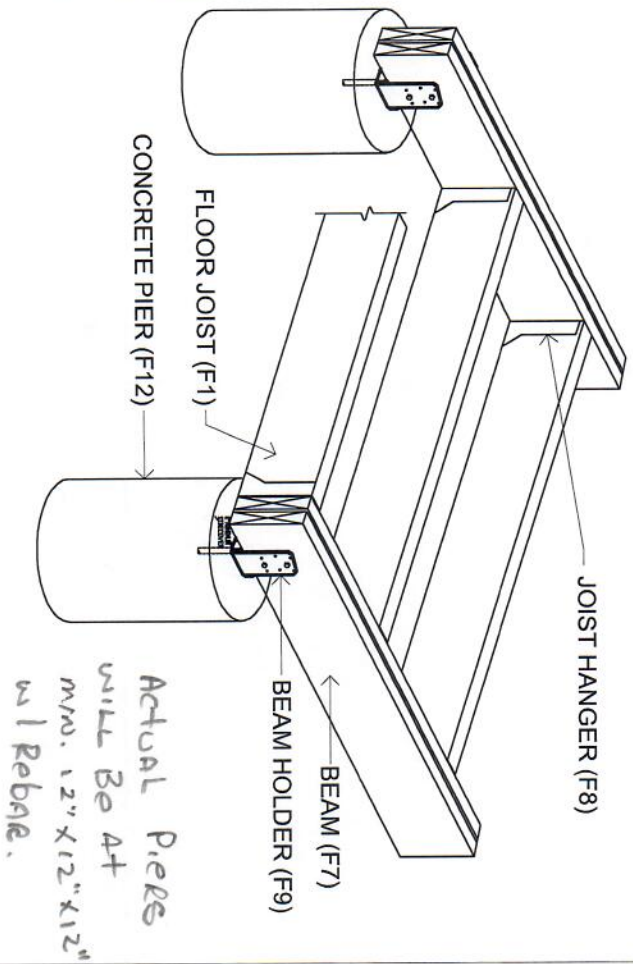


1 POURED CONCRETE PIER FOUNDATION
 $\frac{3}{4}$ " = 1'-0" SIDE VIEW



2 POURED CONCRETE PIER FOUNDATION
 $\frac{3}{4}$ " = 1'-0" FRONT VIEW

My Piers are minimum 12" x 12" x 12"

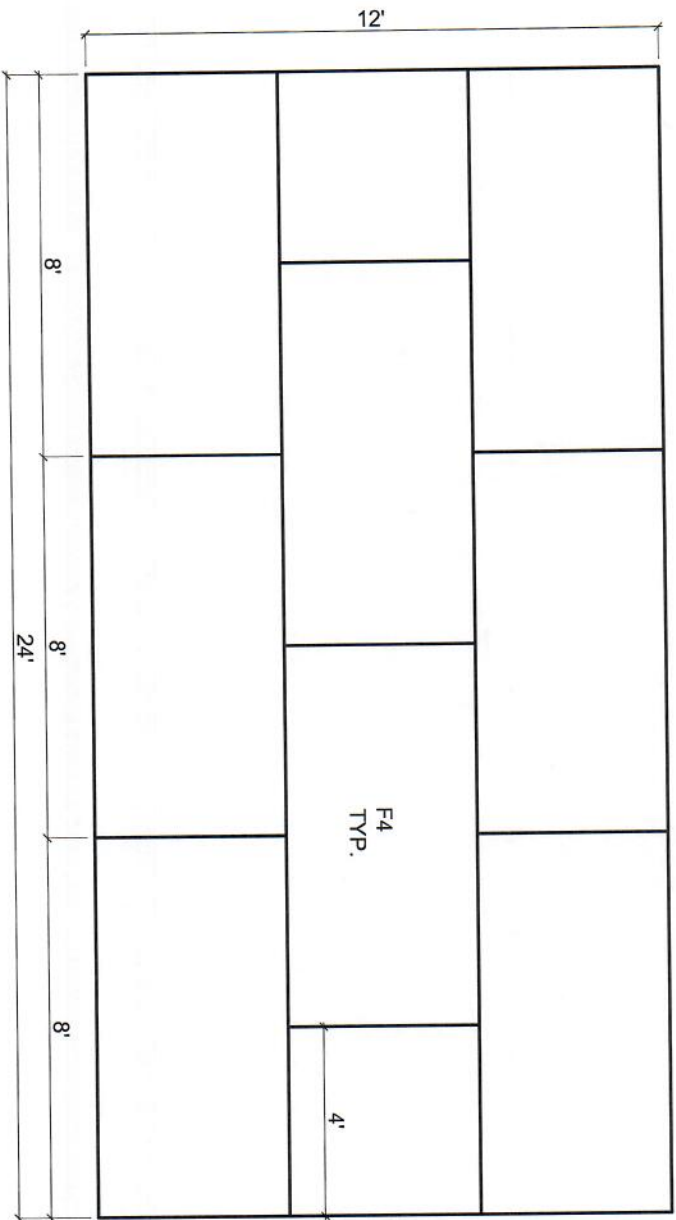


1 **POURED CONCRETE PIER FOUNDATION**
 $\frac{3}{4}$ " = 1'-0" ISOMETRIC VIEW

- CONCRETE PIER FOOTINGS ARE MADE BY POURING CONCRETE IN A ROUND CYLINDER MOLD. DIG A 16" ROUND HOLE. SET THE FORM 4IN. ABOVE THE BOTTOM.
- INSTALL 2 #4 REBAR HORIZONTALLY IN FOOTING
- INSTALL 1 #4 "J" BAR VERTICALLY IN EACH PIER
- POUR THICK CONCRETE SO IT FLOODS THE BOTTOM 4" OF THE HOLE AND THEN FILLS THE TUBE.
- INSTALL BEAM HOLDERS
- FOOTING TO BE INSTALLED ON UNDISTURBED OR COMPACTED SOIL.
- CALL THE LOCAL BUILDING DEPARTMENT TO VERIFY FROST DEPTH IN YOUR AREA.

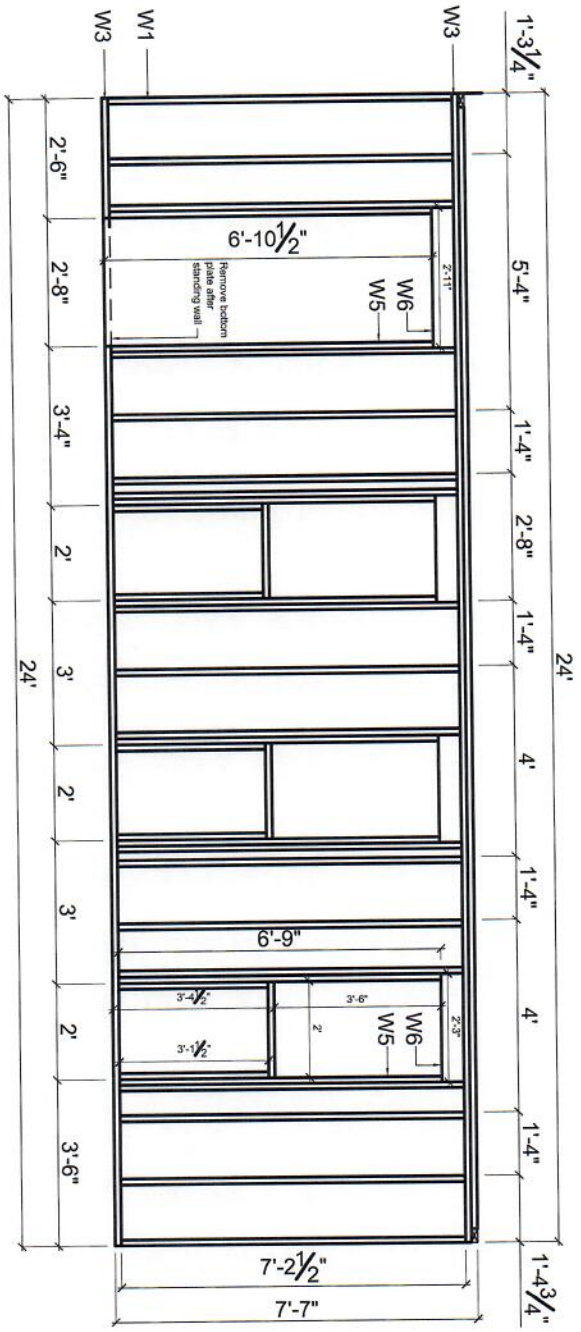
NOTE: FLOOR FRAMING MAY ALSO BE SET ON TOP OF THE BEAMS. USE THE FLOOR FRAMING DIMENSIONS GIVEN ON SHEET A5 IN THE PLANS.

2 **POURED CONCRETE PIER FOUNDATION**
 $\frac{3}{4}$ " = 1'-0" NOTES

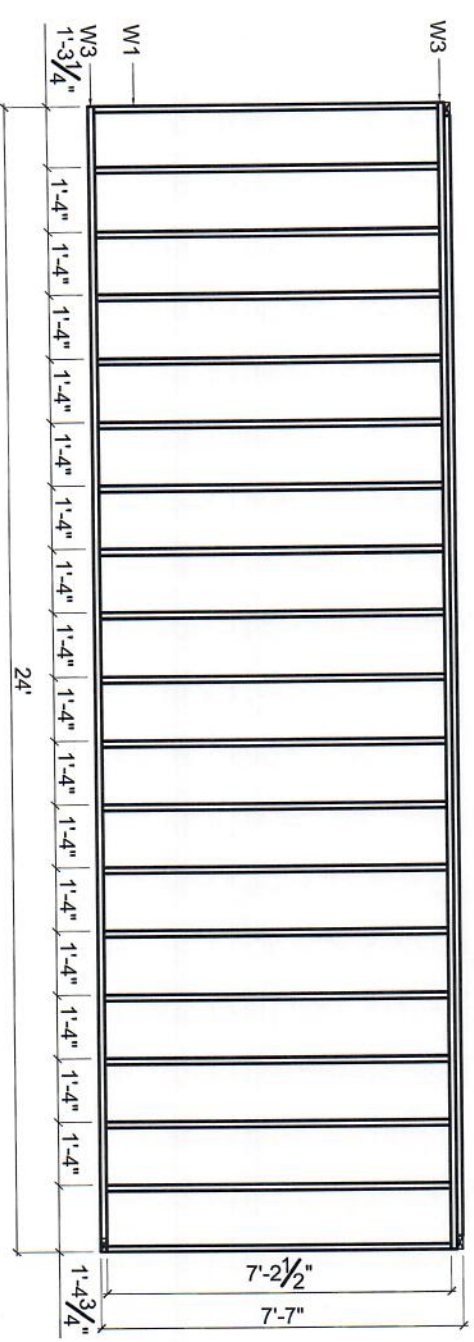


FLOOR SHEETING PLAN

Skid Floor Sheeting Plan **5.1**



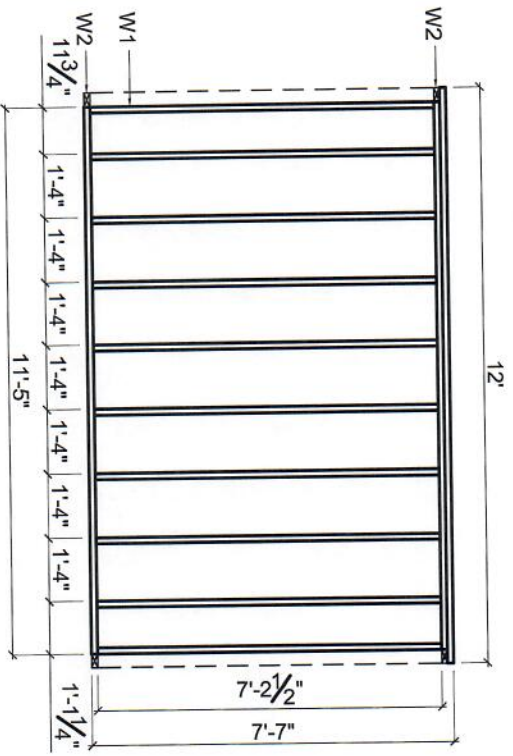
LEFT WALL FRAMING PLAN



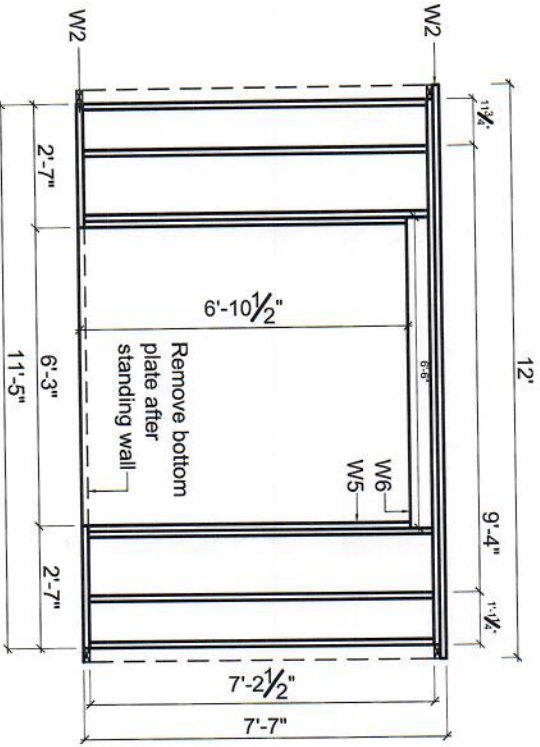
RIGHT WALL FRAMING PLAN

WALL FRAMING MATERIALS CODE	DESCRIPTION	LENGTH	QTY.
W1	2x4 Wall Stud	92 5/8"	56
W2	2x4 Wall Plate, Short	12'-0"	6
W3	2x4 Wall Plate, Long	20'-0"	7
W5	2x4 Trimmer	92 5/8"	10
W6	2x6 Header	8'-0"	6

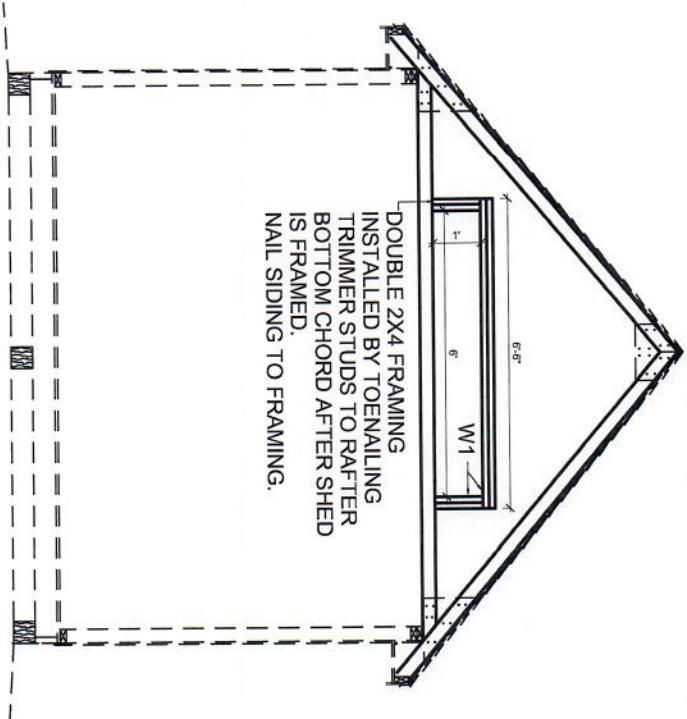
See wall elevations for siding amounts.



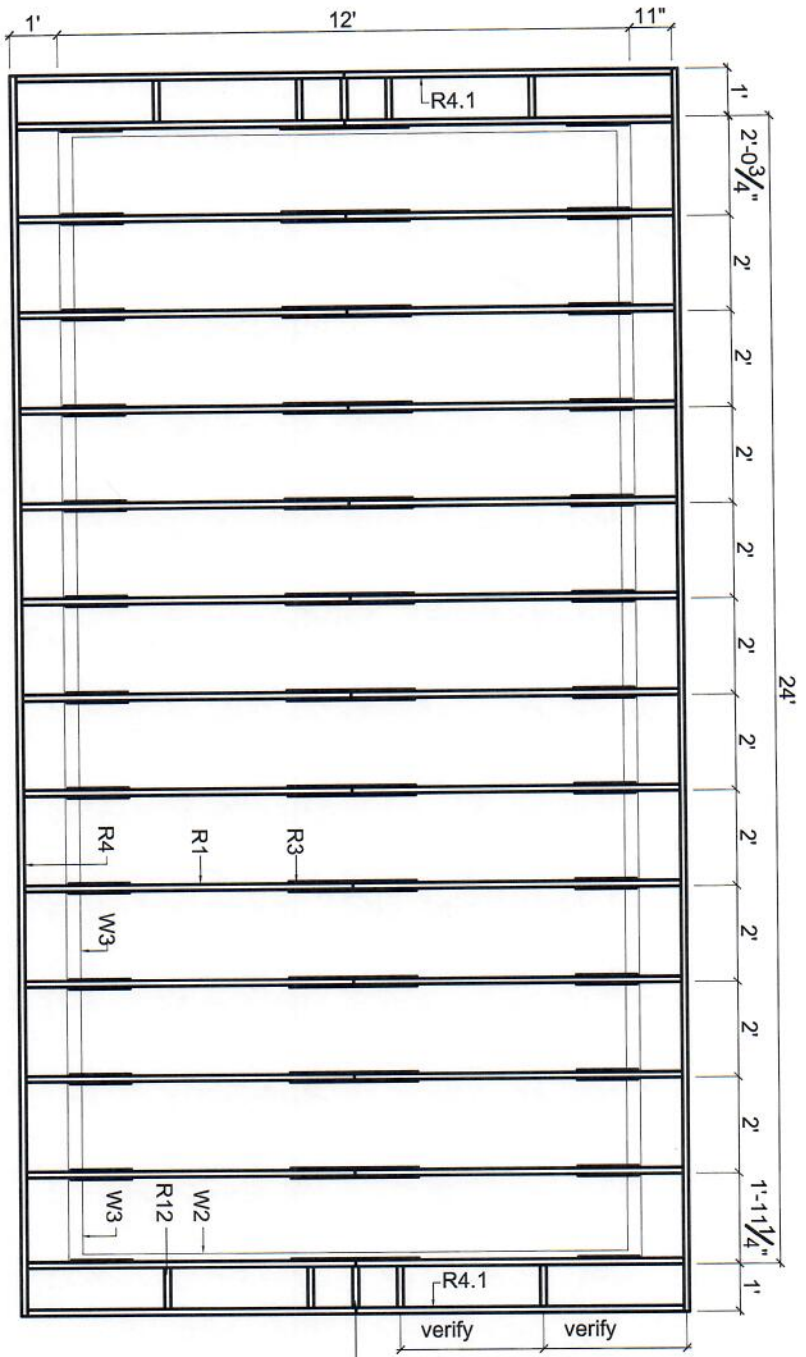
REAR WALL FRAMING PLAN



FRONT WALL FRAMING PLAN



UPPER WINDOW FRAMING PLAN



2x4 BLOCKING R12.
INSTALL UNDER
SHEETTING JOINTS

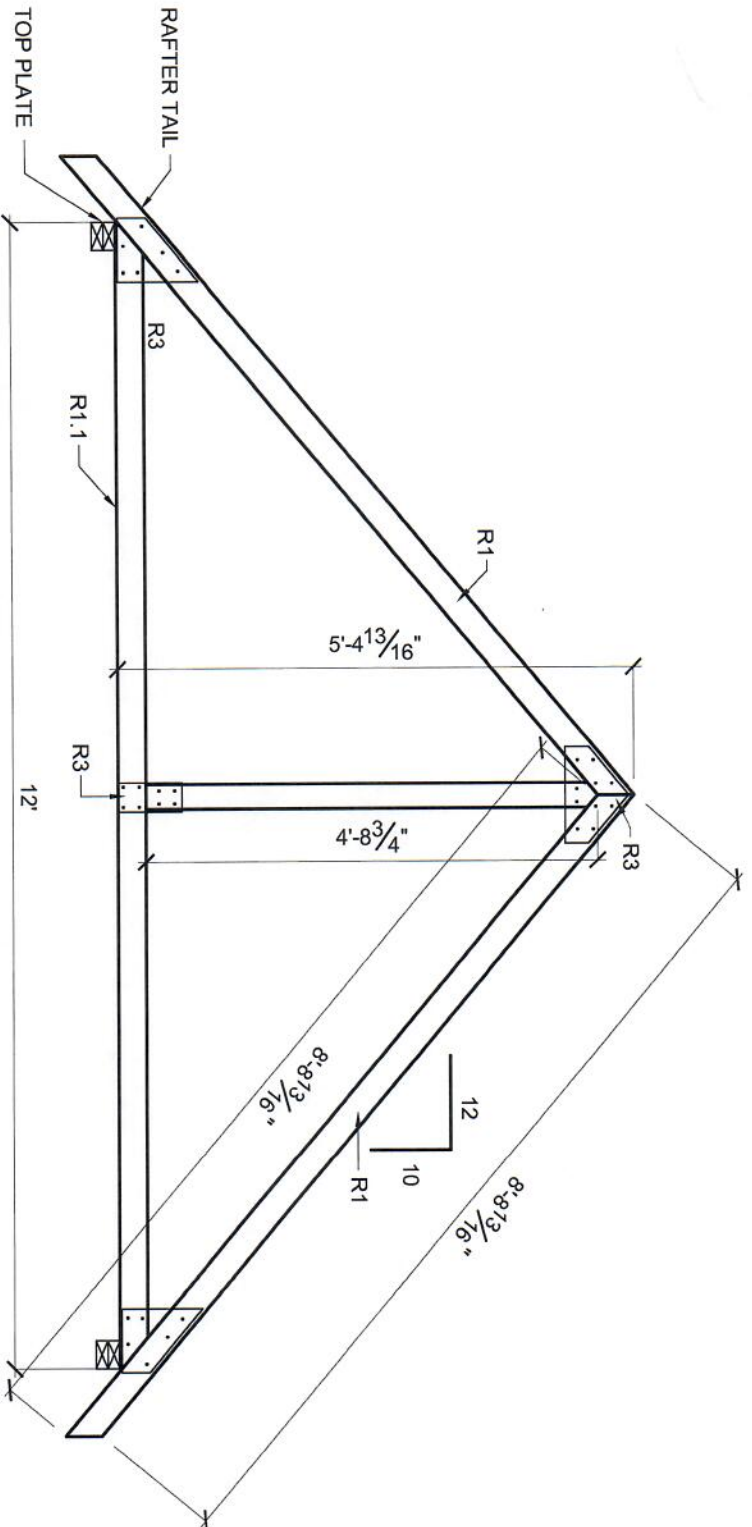
ROOF FRAMING PLAN

ROOF FRAMING MATERIALS

CODE	DESCRIPTION	LENGTH	QTY.
R1	2x4 Rafter Rafter	10'-0"	26
R1.1	2x4 Rafter bottom chord	12'-0"	13
R1.2	2x4 Rafter Post	10'-0"	6
R2	O.S.B. Roof Decking	4'x8'x 7/16"	17
R3	O.S.B. Rafter Gusset	4'x8'x 7/16"	2
R4	2x4 Sub Fascia	14'-0"	4
R4.1	2x4 Sub Fascia	10'-0"	4
R12	2x4 Blocking	16'-0"	1

See exterior elevations for roofing materials.

NOTE: LEAVE KING POST OUT OF GABLE END RAFTERS
SO WINDOW AND VENTS CAN BE INSTALLED

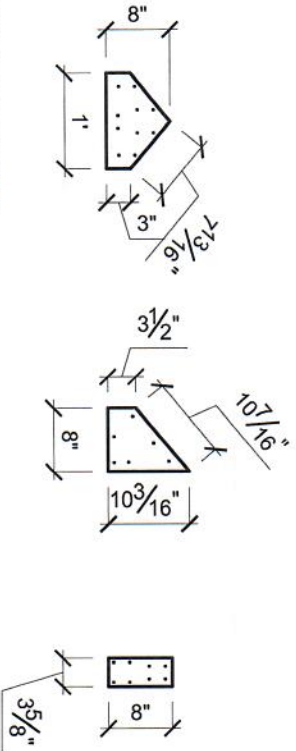


RAFTER DETAIL - 10 / 12 PITCH

1/2" = 1'-0"

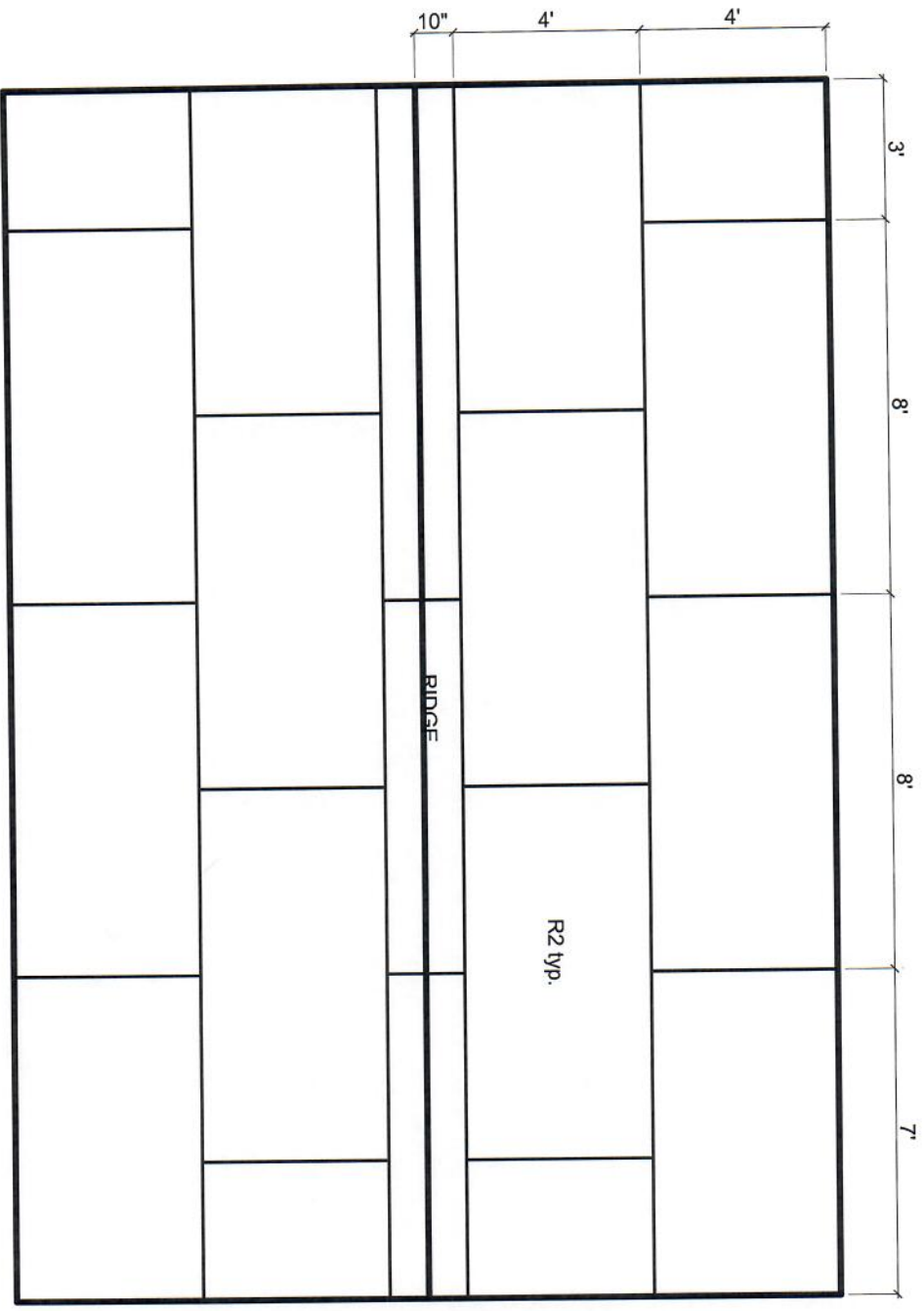
SEE THE ROOF TRUSS TEMPLATE DETAIL FOR ANGLE CUTTING INFORMATION.

NOTE: VERIFY SIZE AND STYLE OF GABLE VENT BEFORE INSTALLING KING POST ON GABLE TRUSS. DEPENDING ON THE VENT IT MAY BE NECESSARY TO MOVE THE POST AND ADD A SECOND POST TO THE SIDES OF THE VENT LOCATION.



GUSSET DETAIL

1/2" = 1'-0" USE 6d NAILS TO INSTALL GUSSETS ON BOTH SIDES OF THE TRUSS, EXCEPT FOR THE GABLE TRUSSES.



ROOF SHEETING PLAN

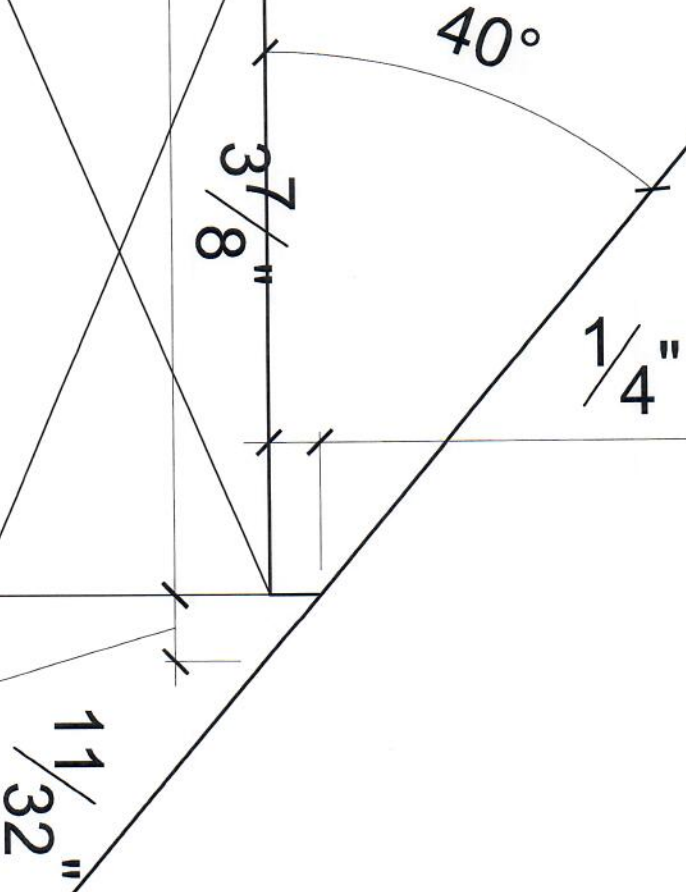
10 / 12 RAFTER

VERIFY THAT PRINTED
DIMENSIONS ARE TO SCALE
BEFORE USING TEMPLATE

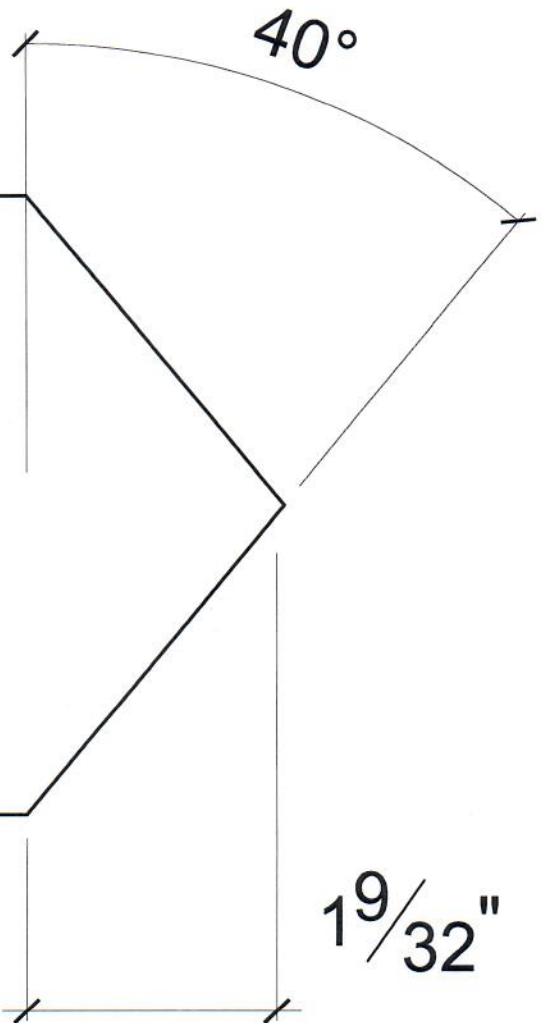
50°

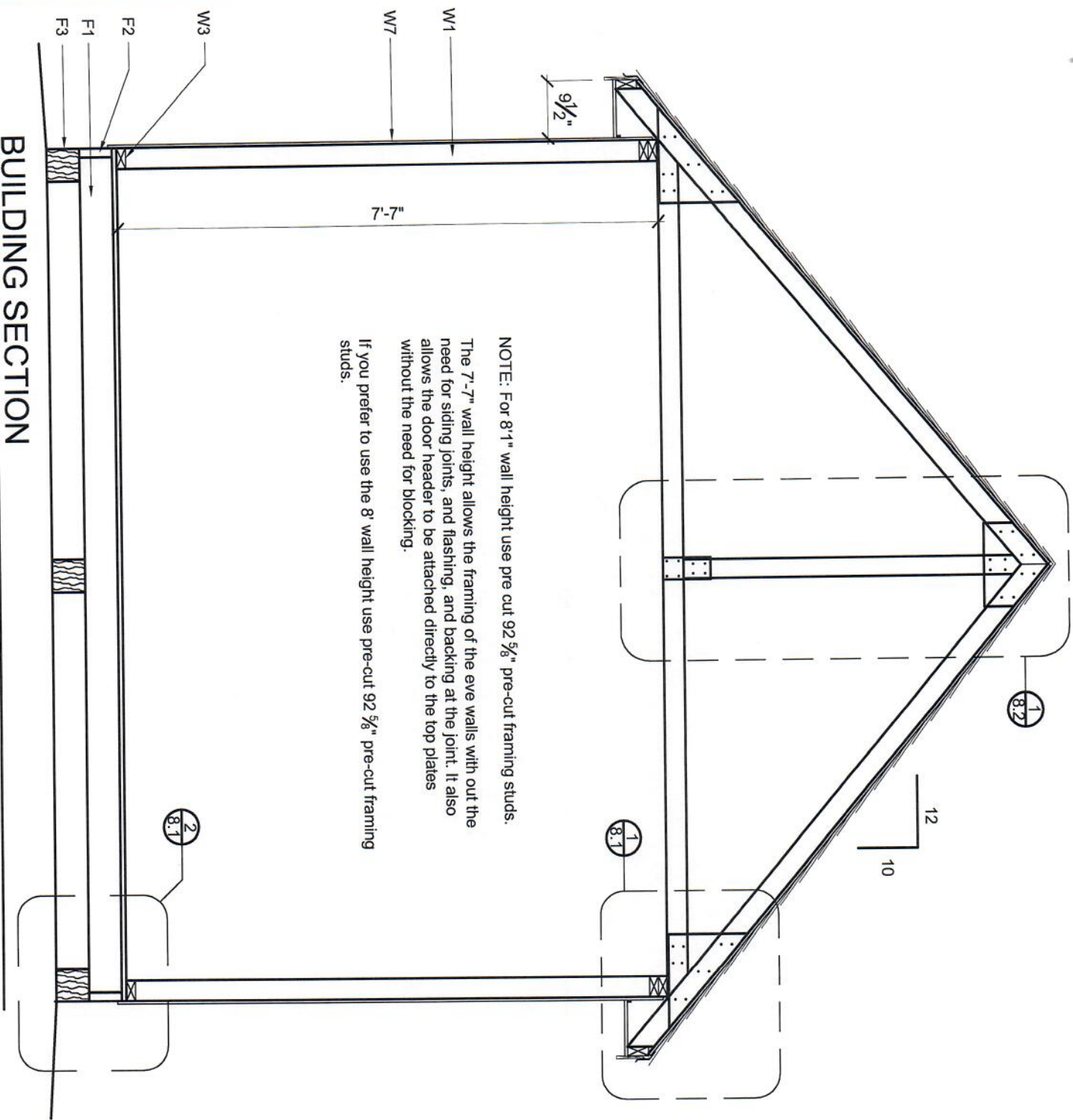
- CUT OUT TEMPLATE
 - LAY TEMPLATE ON ENDS OF RAFTER
 - TRACE ANGLES ONTO BOARDS
 - CUT BOARDS ALONG LINES
- OR
- USE FRAMING SQUARE TO MARK ANGLE
WHICH IS 10/12 PITCH

10 / 12
RAFTER



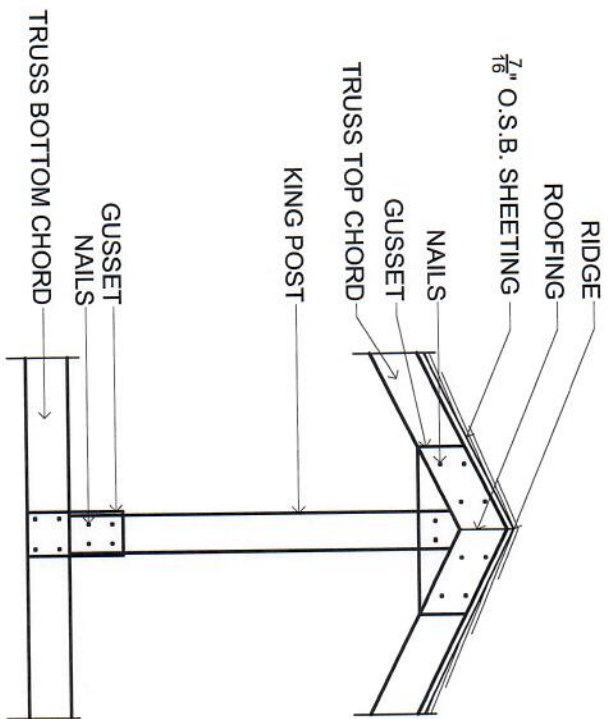
10 / 12
RAFTER



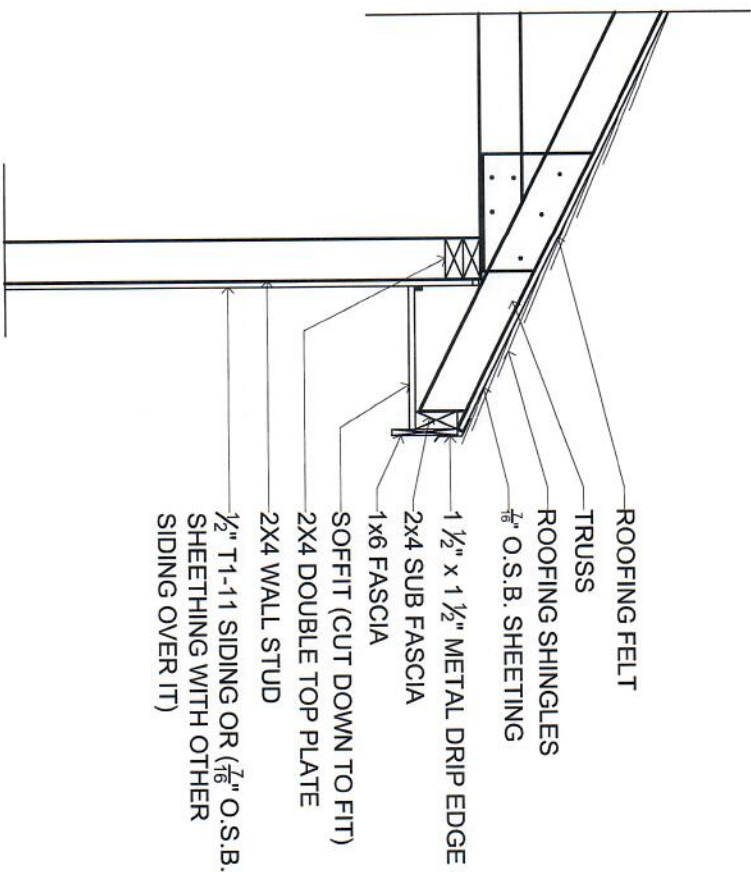


BUILDING SECTION

1/2" = 1'-0" See floor and wall plans for material call out definitions.



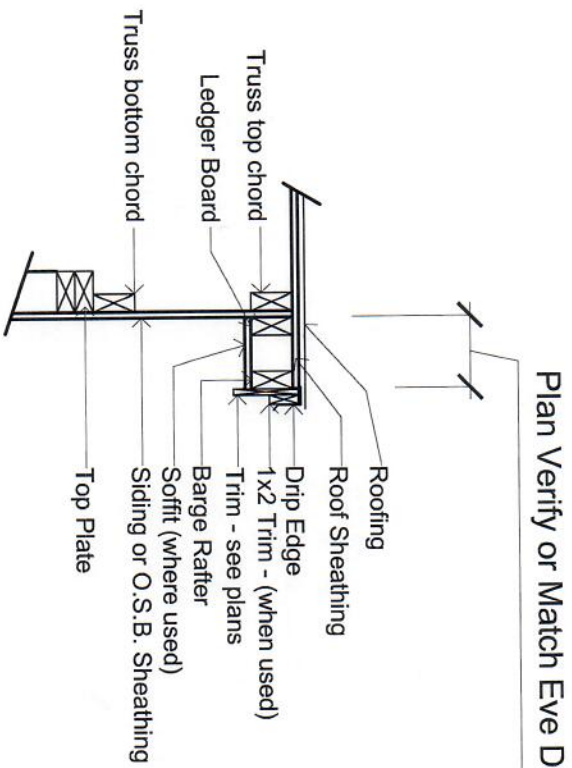
1 ROOF RIDGE DETAIL
 $\frac{3}{4}'' = 1'-0''$



2 TRUSS CONNECTION TO WALL
 $\frac{3}{4}'' = 1'-0''$



W6
 $\frac{3}{4}$ " = 1'-0"
2X6 HEADER DETAILS



2
 $\frac{3}{4}$ " = 1'-0"
BOXED RAKE DETAIL - OVERHANG